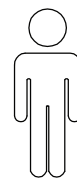
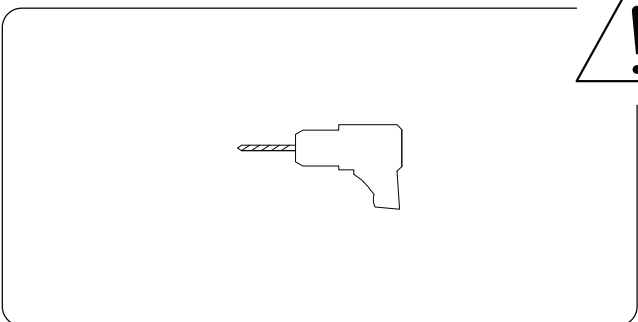
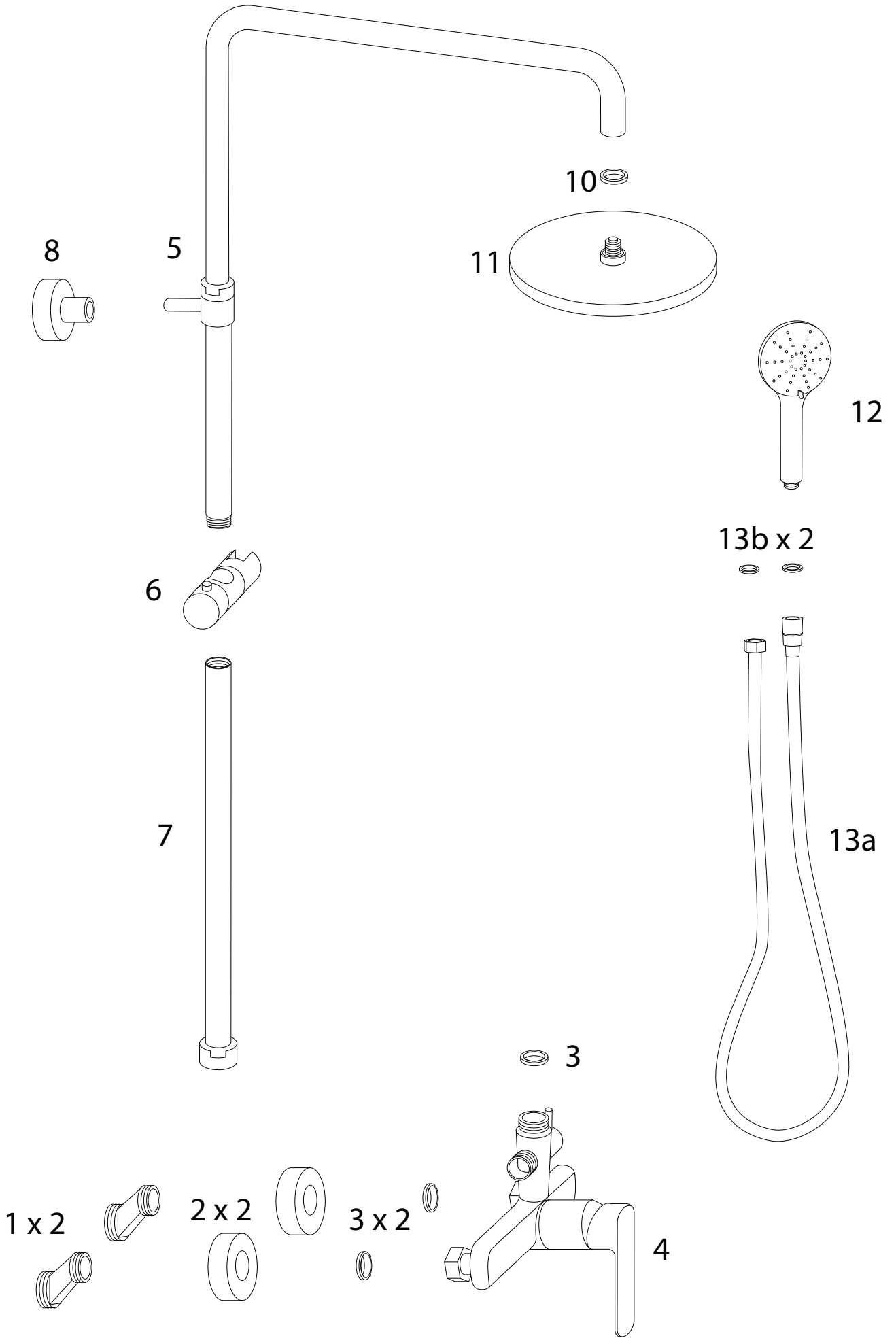


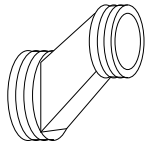
20'



1

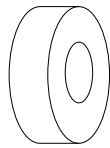


1



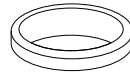
x 2

2



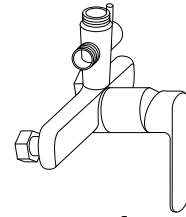
x 2

3



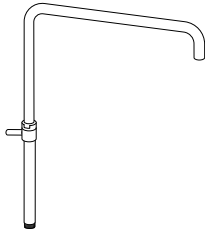
x 3

4



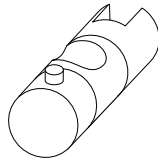
x 1

5



x 1

6



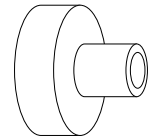
x 1

7



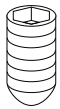
x 1

8



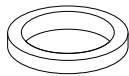
x 1

9



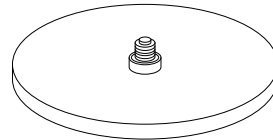
x 1

10



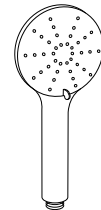
x 1

11



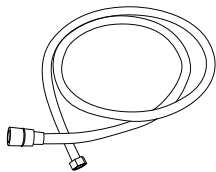
x 1

12



x 1

13a



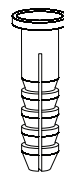
x 1

13b



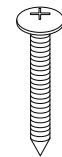
x 2

14



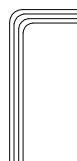
x 1

15



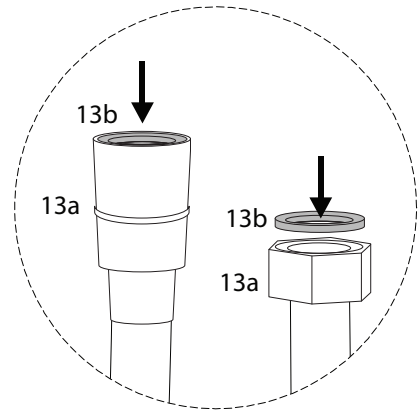
x 1

16

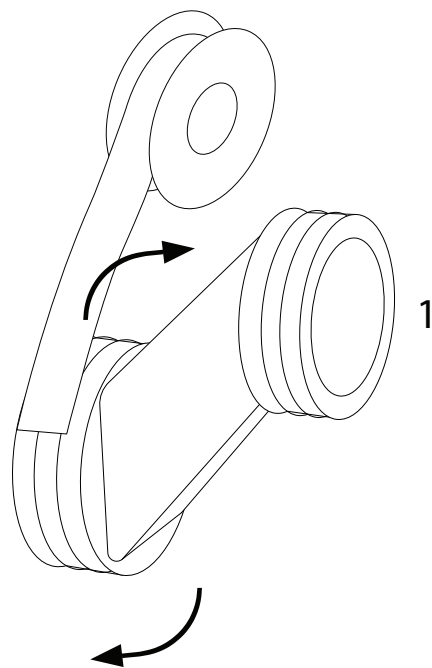


x 1

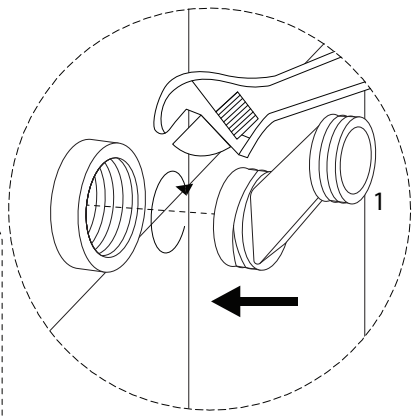
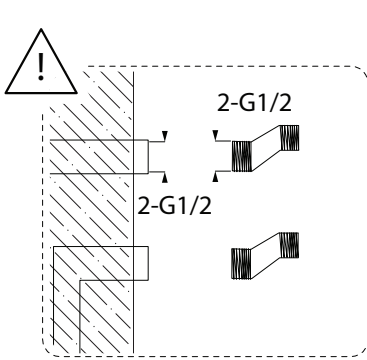
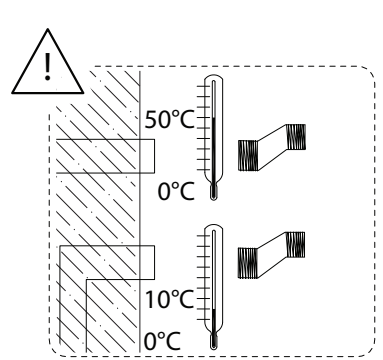
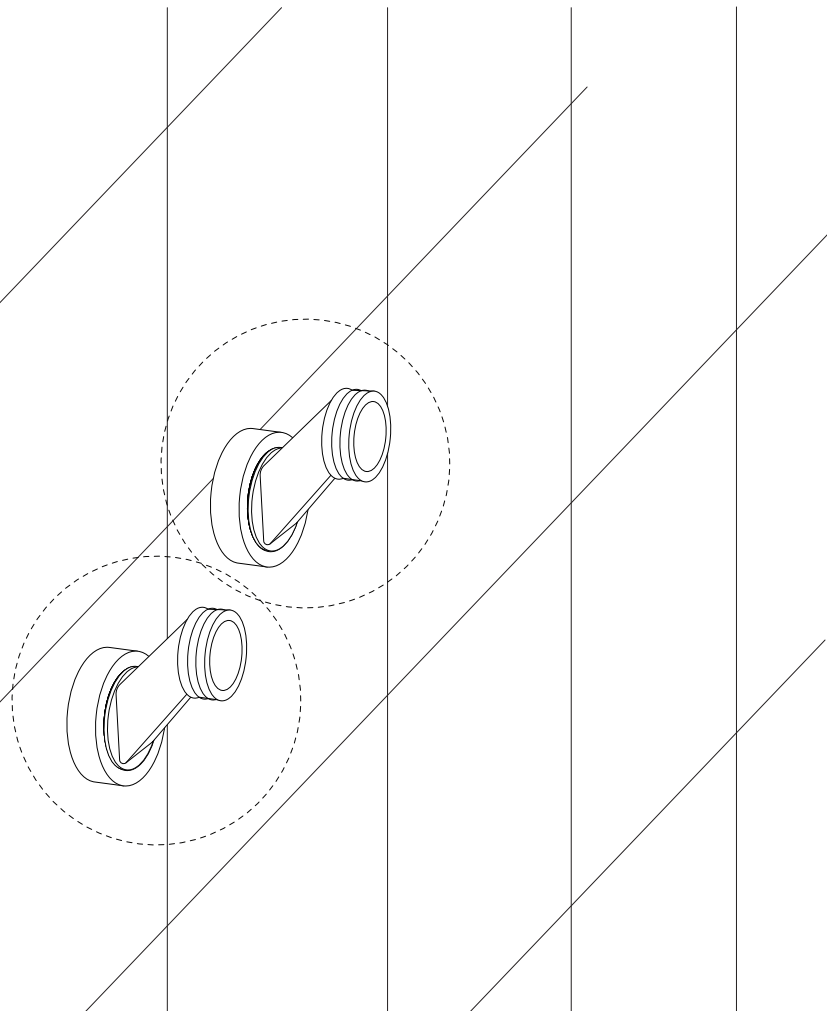
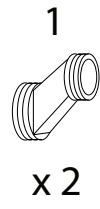
!



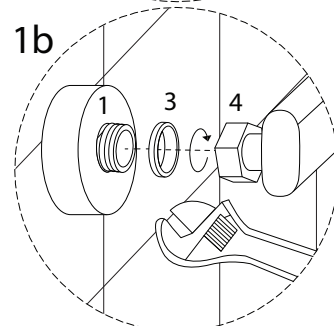
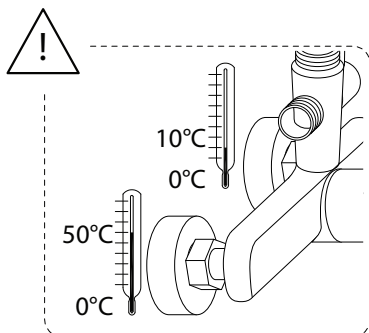
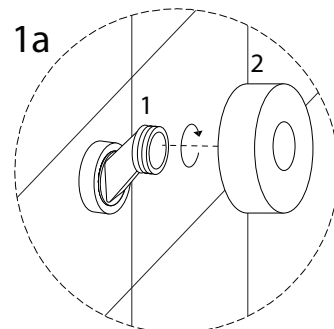
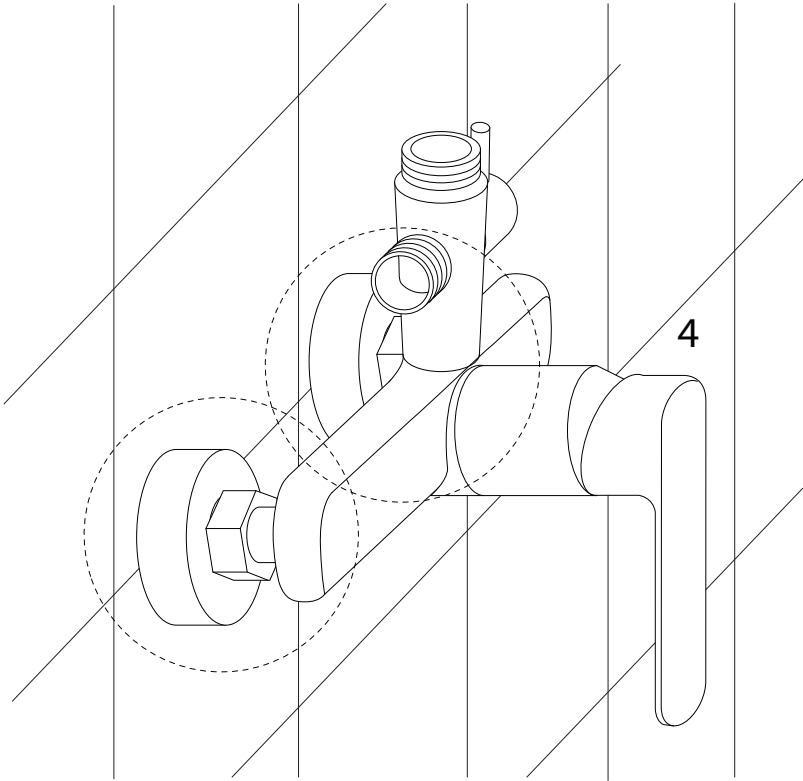
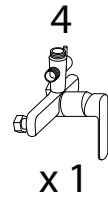
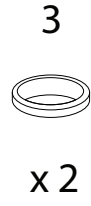
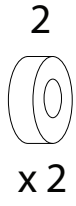
1



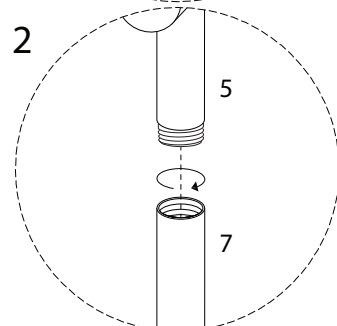
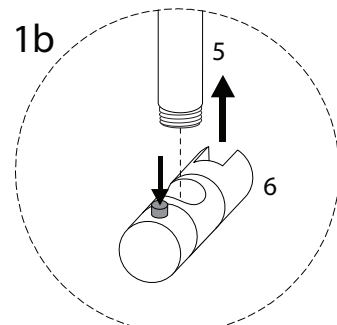
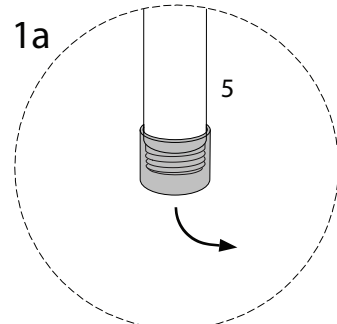
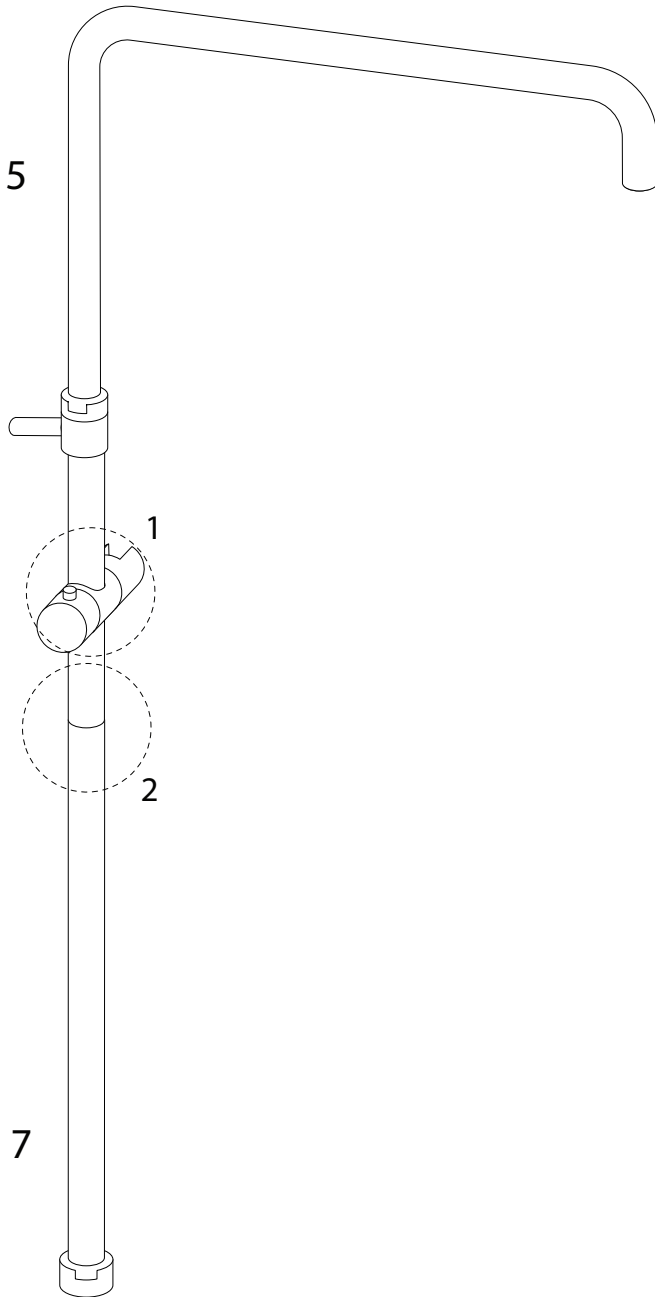
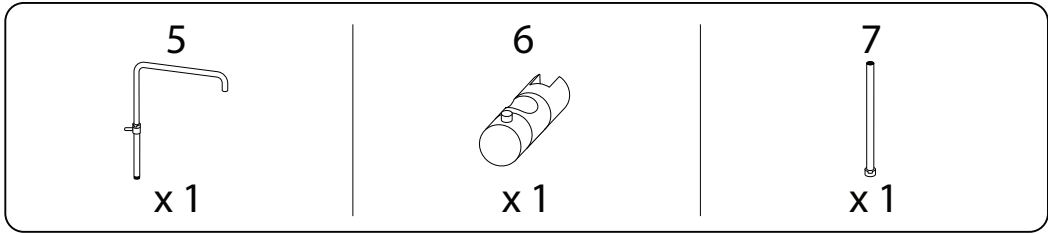
2



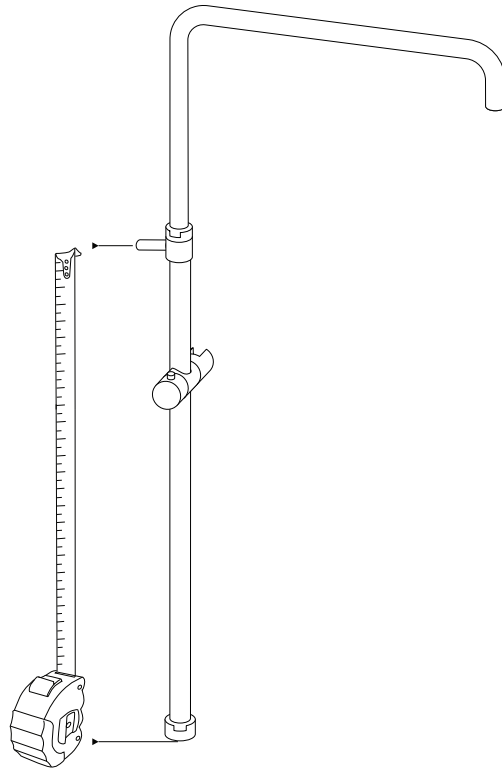
3



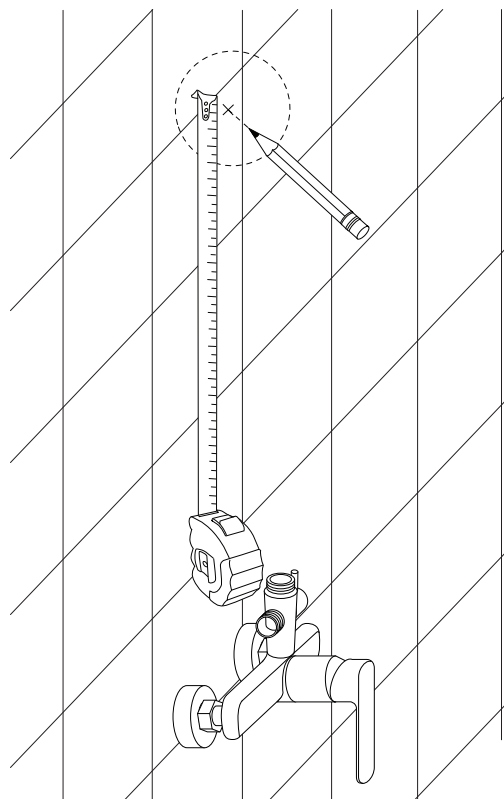
4



5



6



7

8



x 1

14

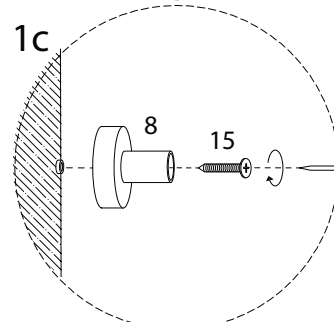
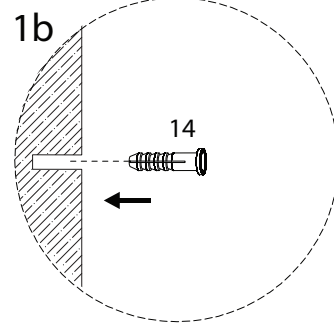
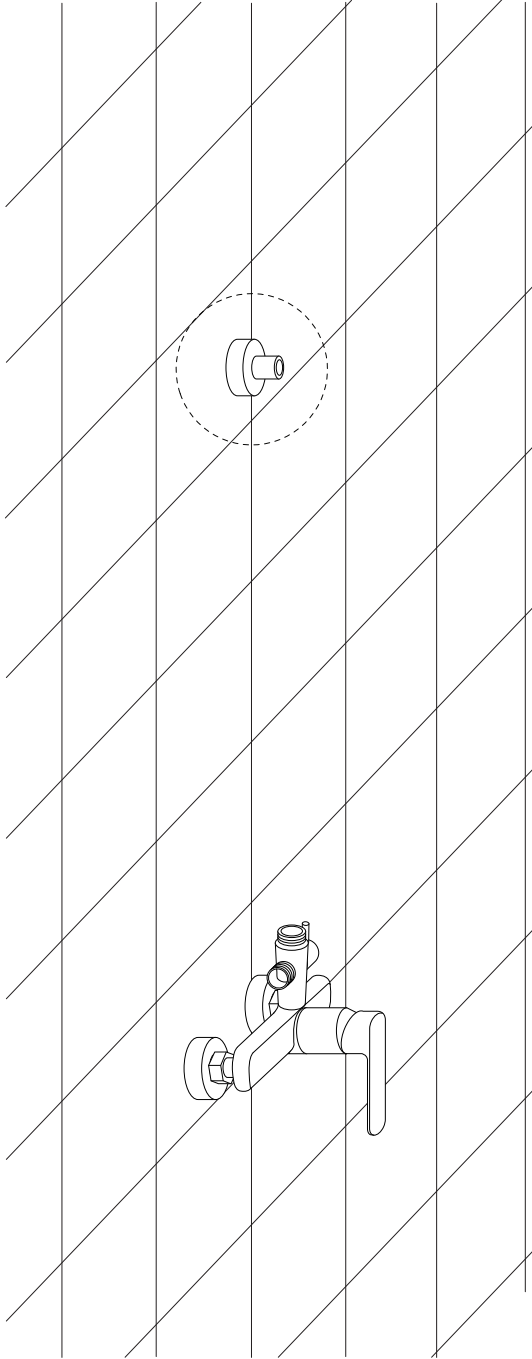


x 1

15



x 1



8

3



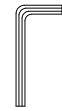
x 1

9

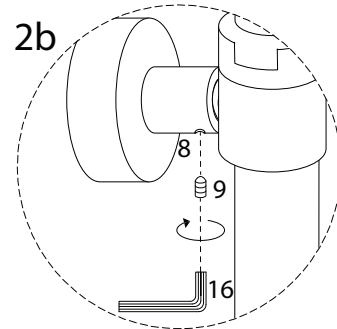
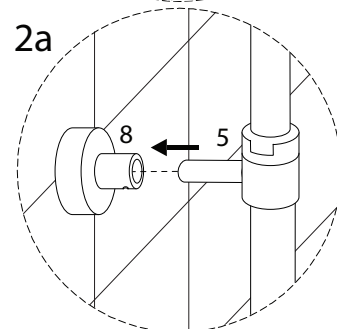
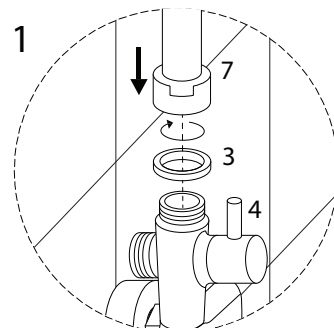
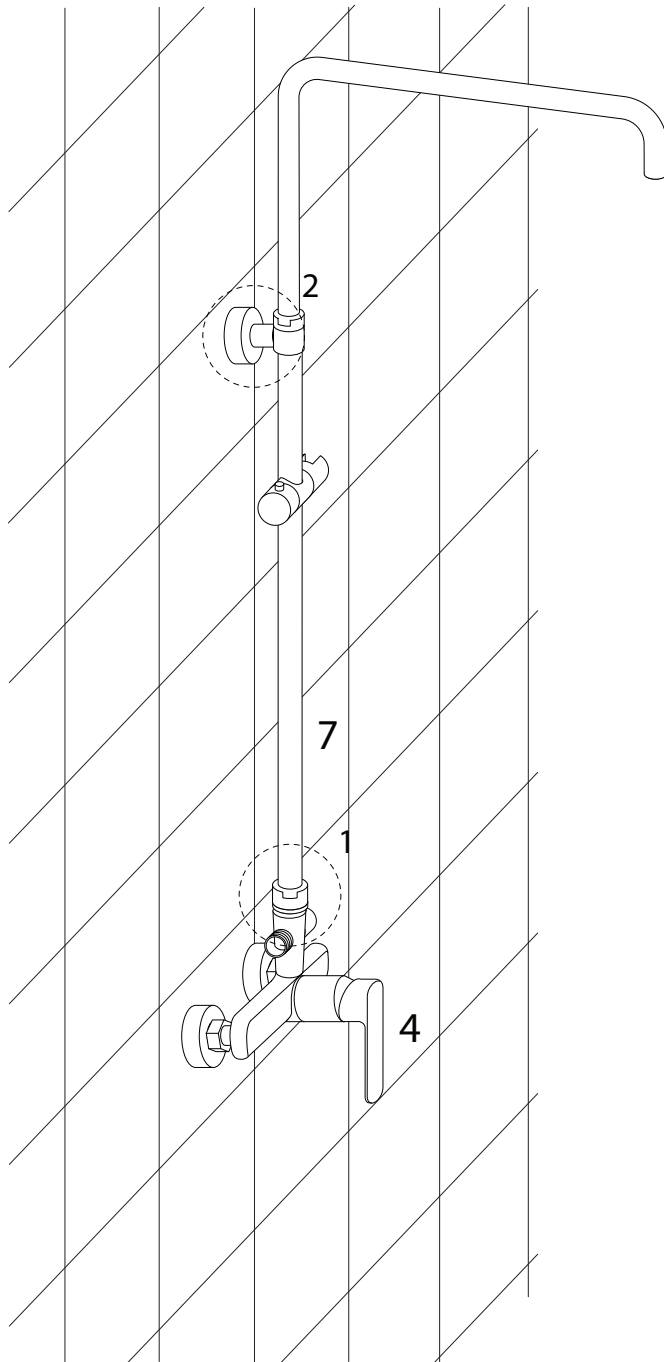


x 1

16



x 1



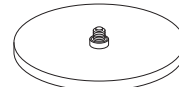
9

10

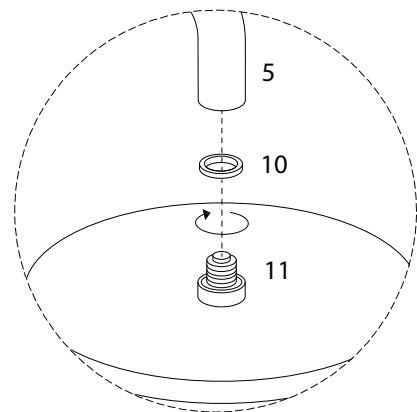
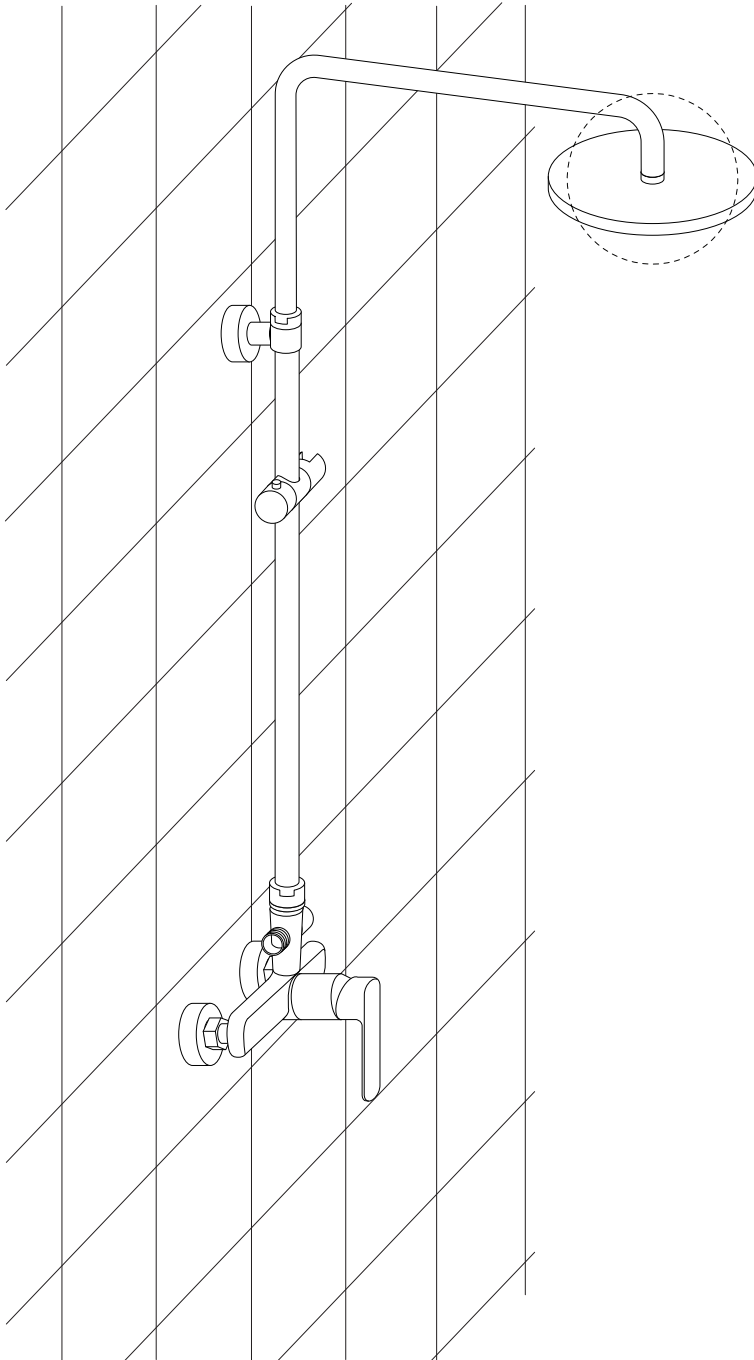


x 1

11

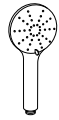


x 1



10

12



x 1

13a

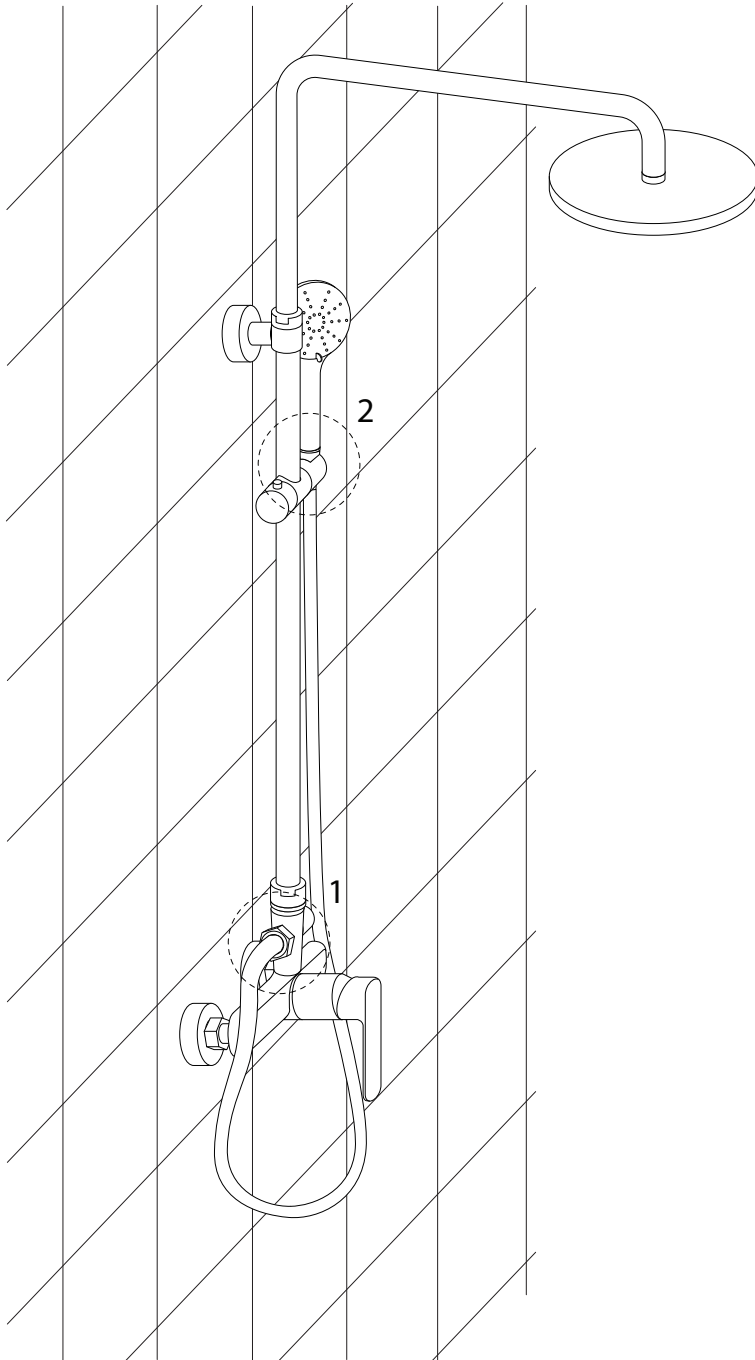


x 1

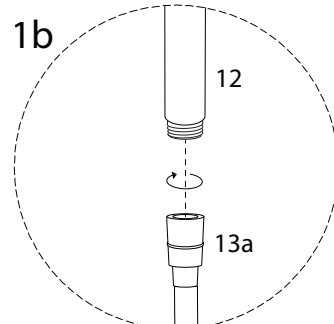
13b



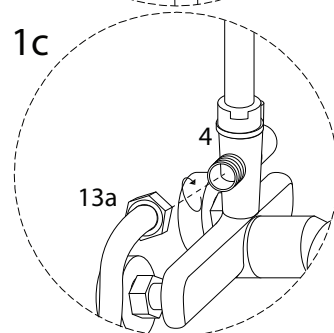
x 2



1b



1c



1d

