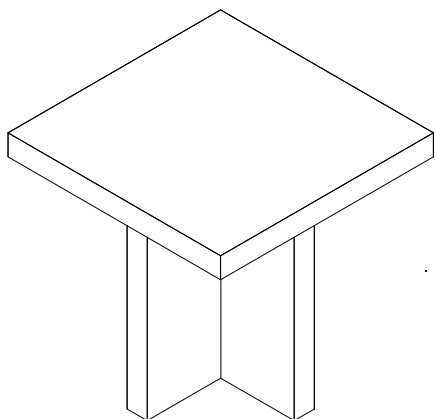
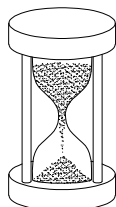


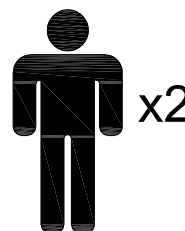
# 6798NAT-62 / 6798OAK-62 DONTE END TABLE ASSEMBLY INSTRUCTIONS



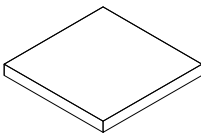



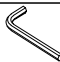
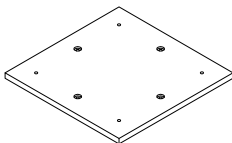
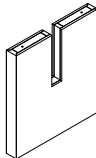
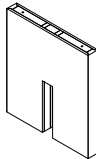
## ASSEMBLY INSTRUCTIONS



**15 MIN**

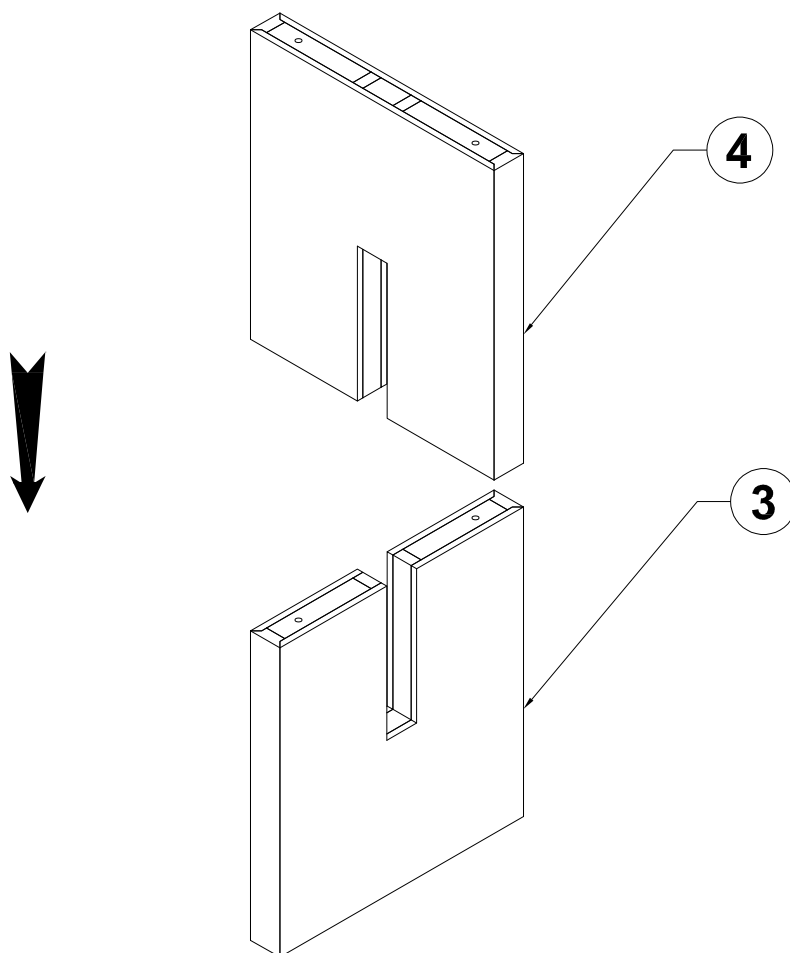


**TOOLS REQUIRED**  
( Allen Key provided )

CARTON	ITEM	PART	HARDWARE
1	6798NAT-62/ 6798OAK-62	① TOP PANEL x 1 PC 	(A) M6 x 35 mm: <b>8 pcs</b>  (B) Ø6 x Ø10 x 1.2: <b>8 pcs</b>  (C) Ø6 x Ø19 x 2: <b>8 pcs</b>  (D) 4mm x 60: <b>1 pc</b> 
		② MOUNTING PLATE x 1PC 	
		③ BOTTOM LEG x 1PC 	
		④ TOP LEG x 1PC 	

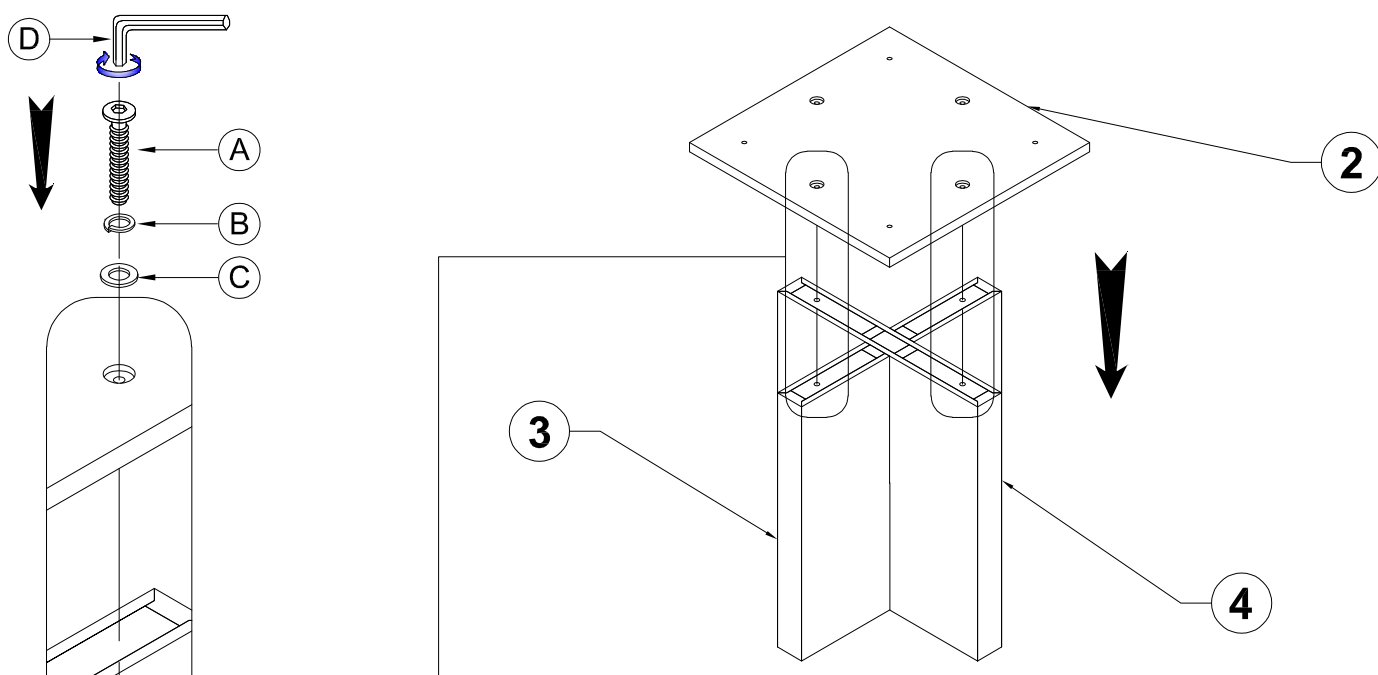
## STEP 1





Connect Top and Bottom Legs as show in the image below



## STEP 2

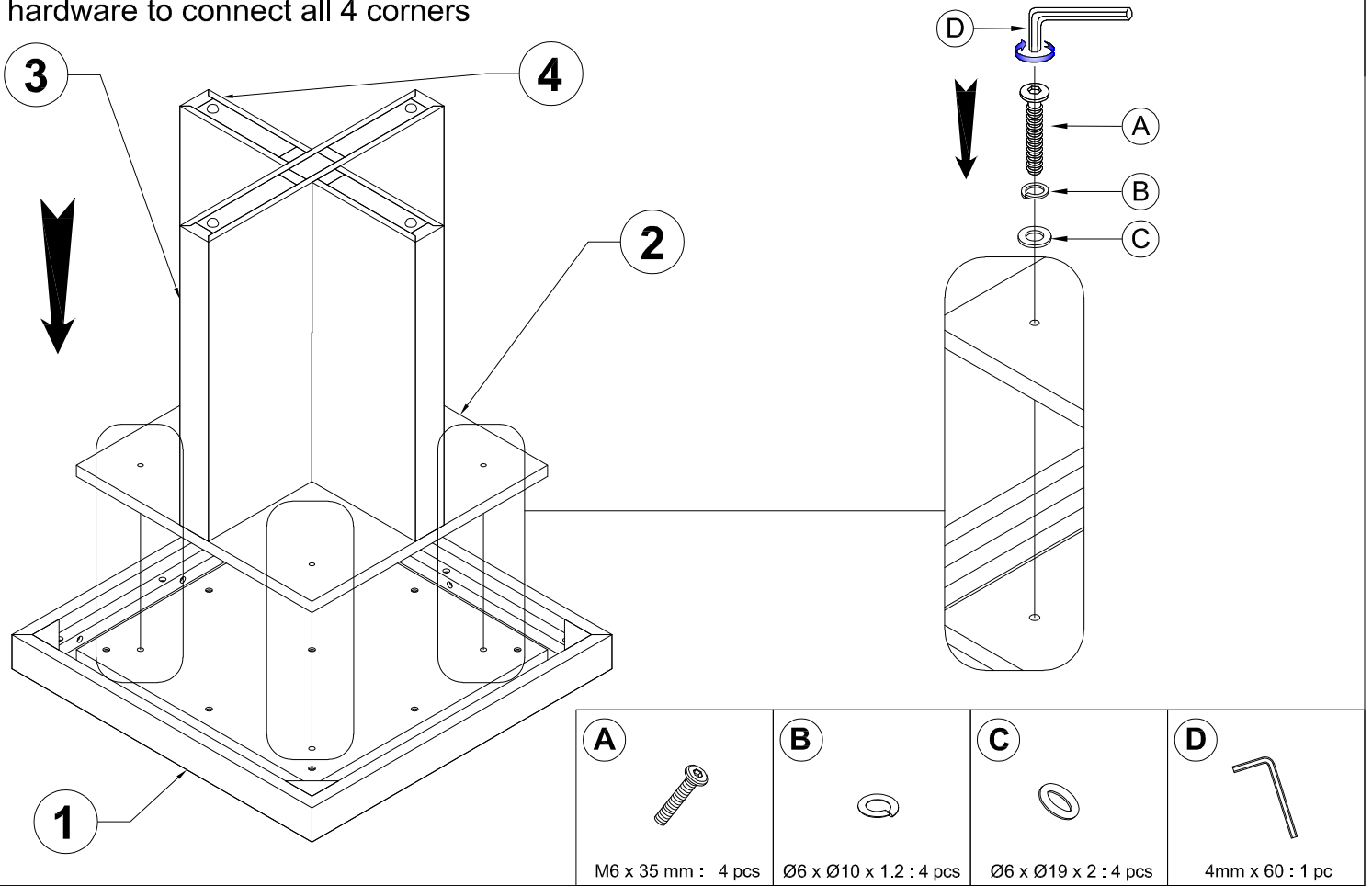
Position the mounting plate on top of the new legs set. Assemble the plate and secure it with corresponding hardware set. Repeat this step in all 4 corners



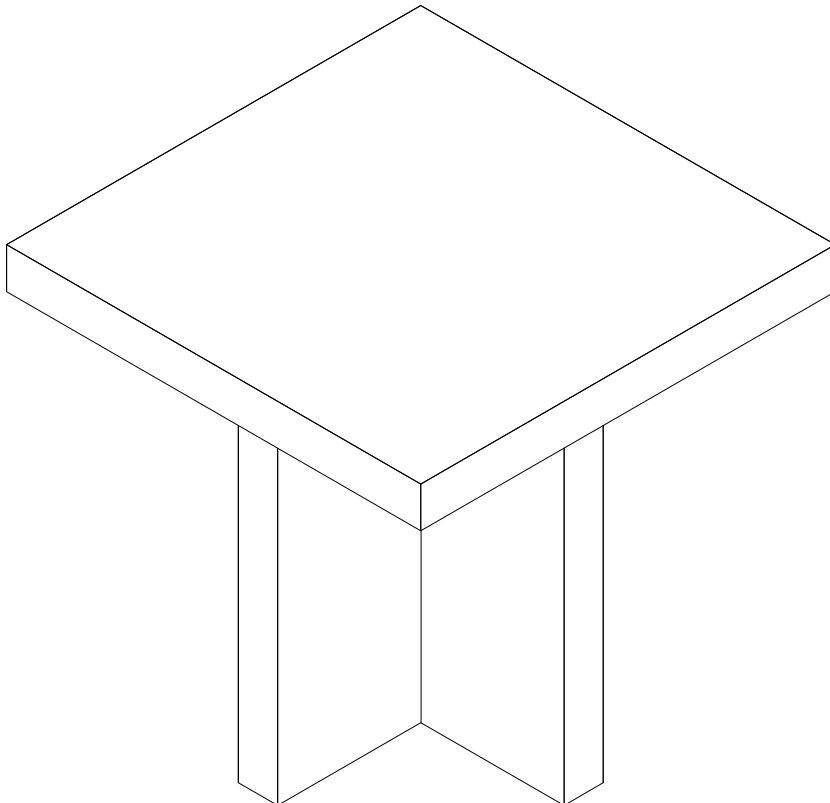
<b>A</b> 	<b>B</b> 	<b>C</b> 	<b>D</b> 
M6 x 35 mm : 4 pcs	Ø6 x Ø10 x 1.2 : 4 pcs	Ø6 x Ø19 x 2 : 4 pcs	4mm x 60 : 1 pc

### STEP 3

Prepare the Top Panel to connect it with the previously assembled set of legs. Use corresponding hardware to connect all 4 corners



## ASSEMBLY COMPLETED



**CAUTION ! : REQUIRES TWO ADULTS TO FLIP AND TURN TABLE UPRIGHT AFTER ASSEMBLY IS FINISHED.**