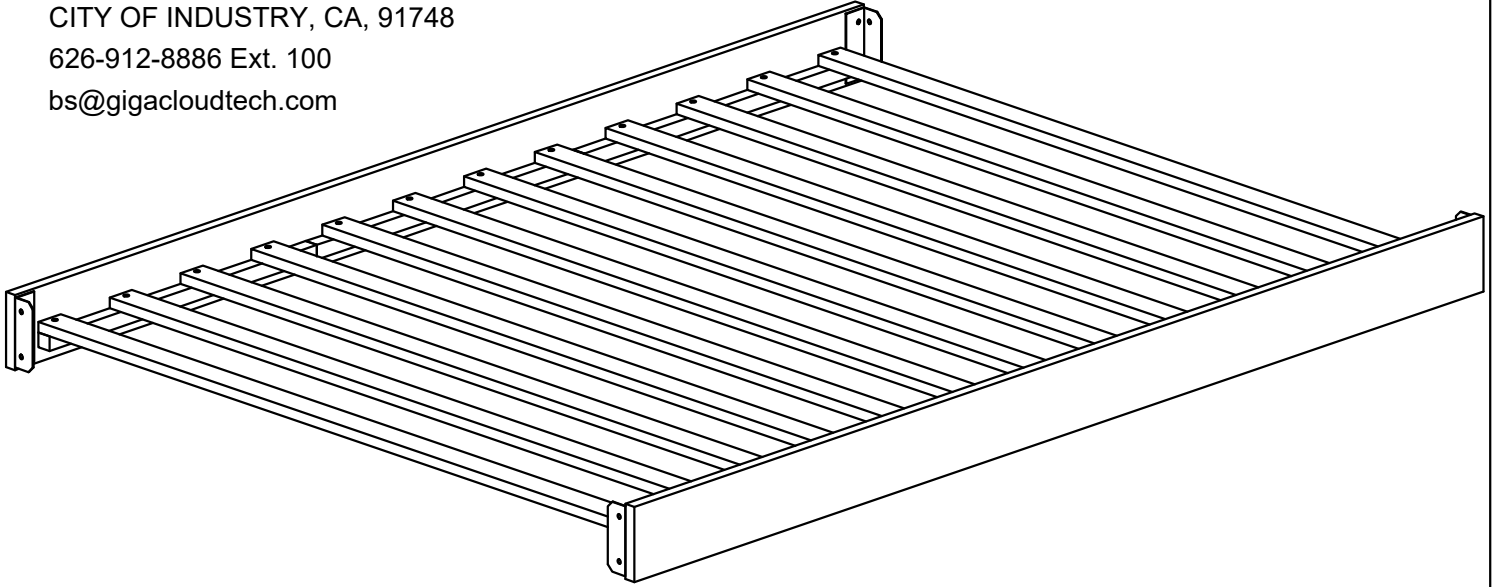


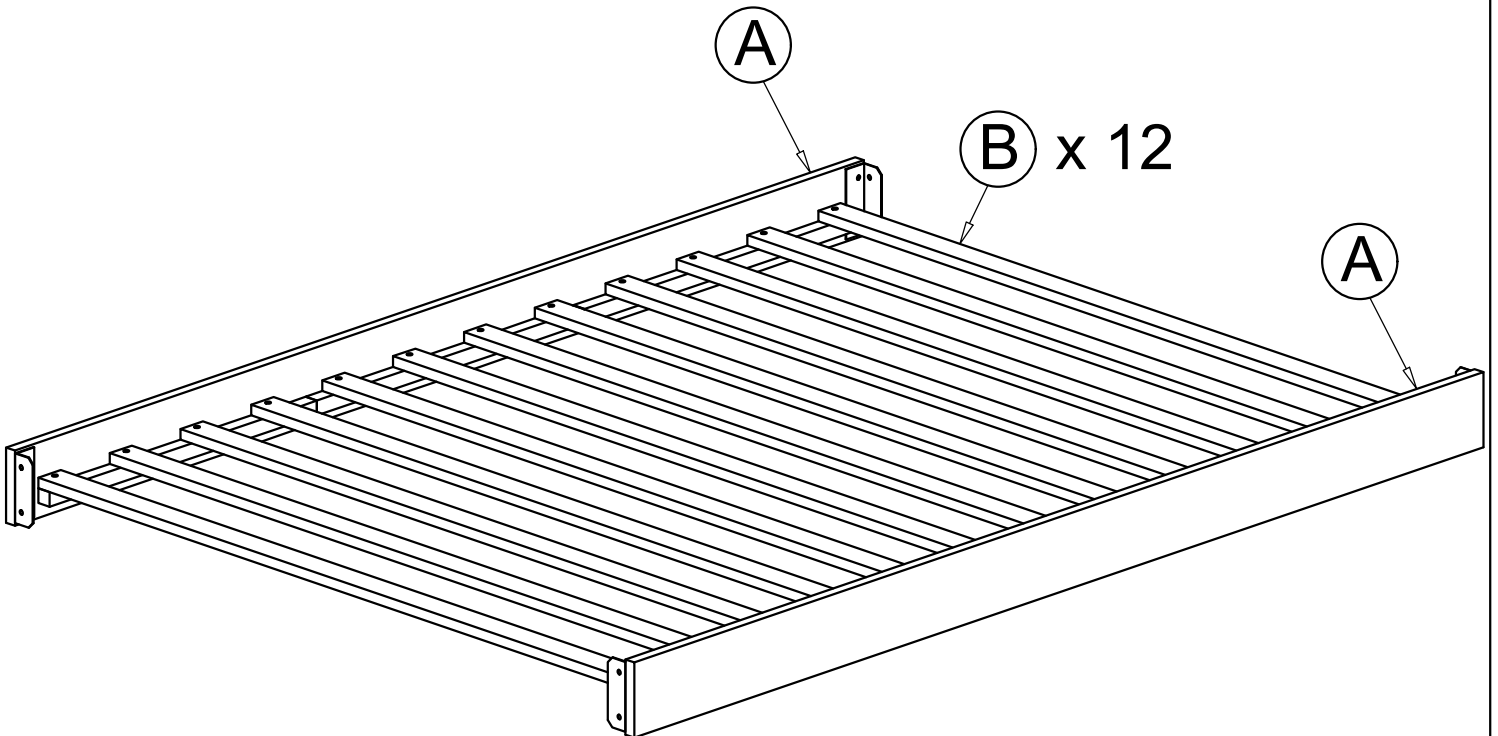
ASSEMBLY INSTRUCTIONS

SKU CODE: (WF305617)

Made in Vietnam
Distributed in the USA by:
GIGACLOUD TECHNOLOGY(USA) INC
18961 ARENTH AVENUE,
CITY OF INDUSTRY, CA, 91748
626-912-8886 Ext. 100
bs@gigacloudtech.com

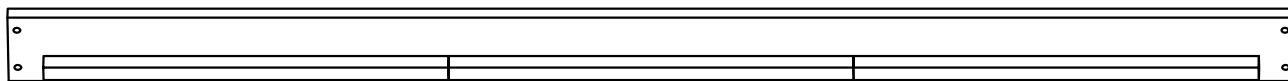


ASSEMBLY INSTRUCTIONS



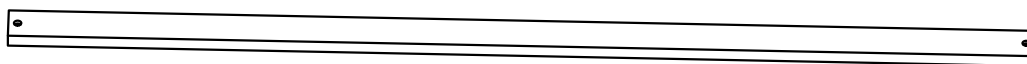
Part list & Hardware list (WF305617)

A



Side rail - 2pcs

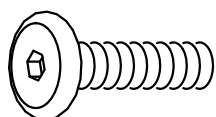
B



Slats - 12pcs

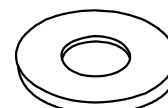
Hardware list (WF305617)

1



M6 x 15mm
Hex - Head bolts 16pcs

2



Ø16/Ø8mm
Plain washers 16pcs

3



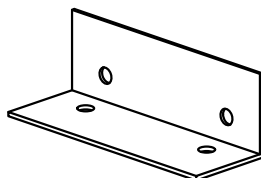
Ø10/Ø8mm
Lock washers 16pcs

4



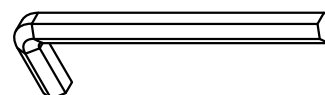
Ø4 x 25
Screws 24pcs

5



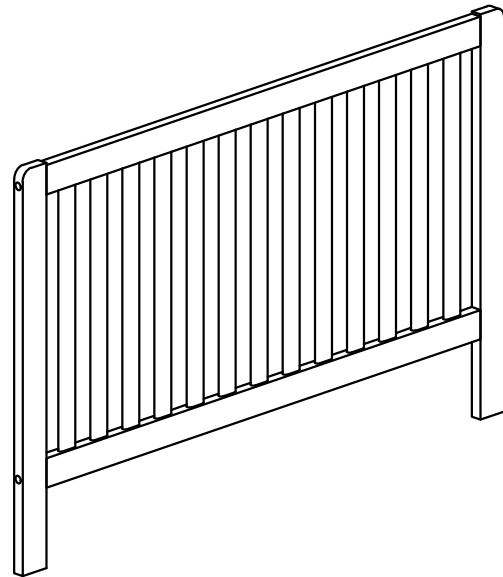
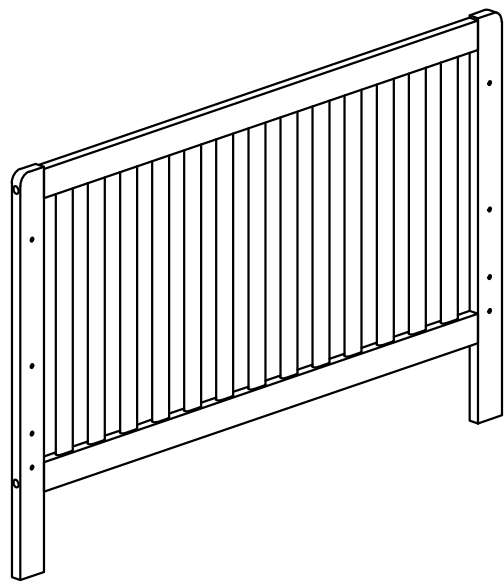
110 x 40 x 40 mm
Bonding metal bowl 4pcs

6



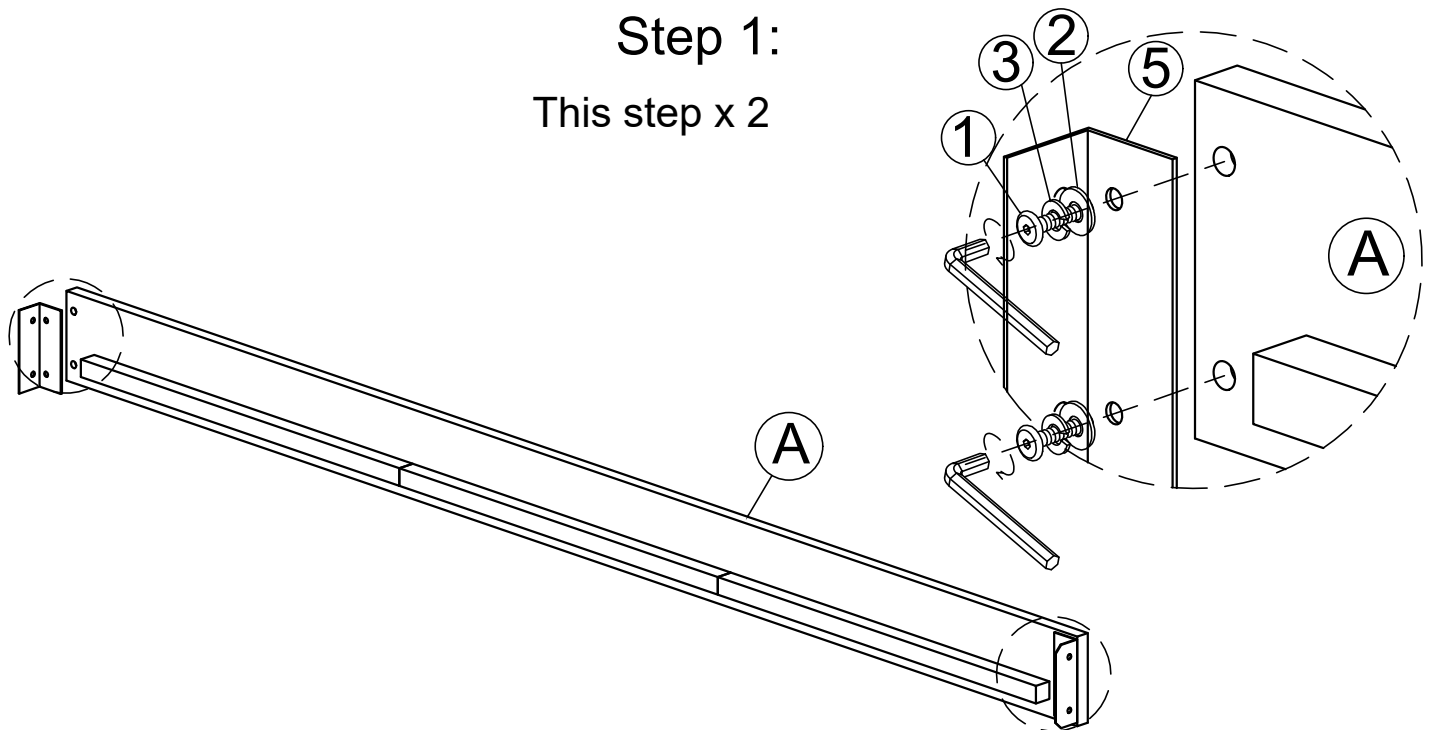
Allen Key 1pc

Use Headboard and Footboard of CRIB (WF305615/WF305616)

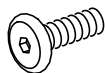


Step 1:

This step x 2

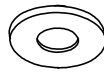


①



Q.ty: 8pcs

②



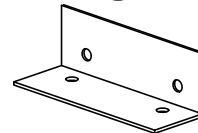
Q.ty: 8pcs

③



Q.ty: 8pcs

⑤

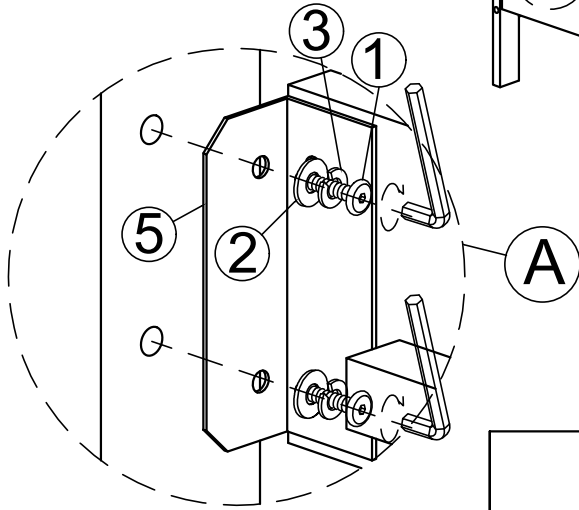
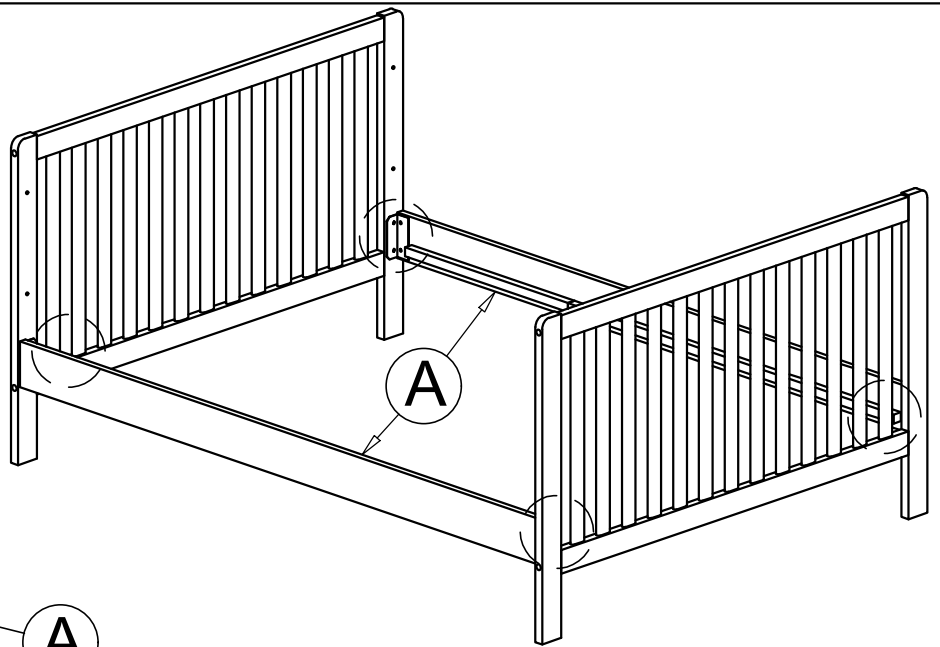


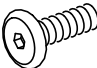



Q.ty: 4pcs

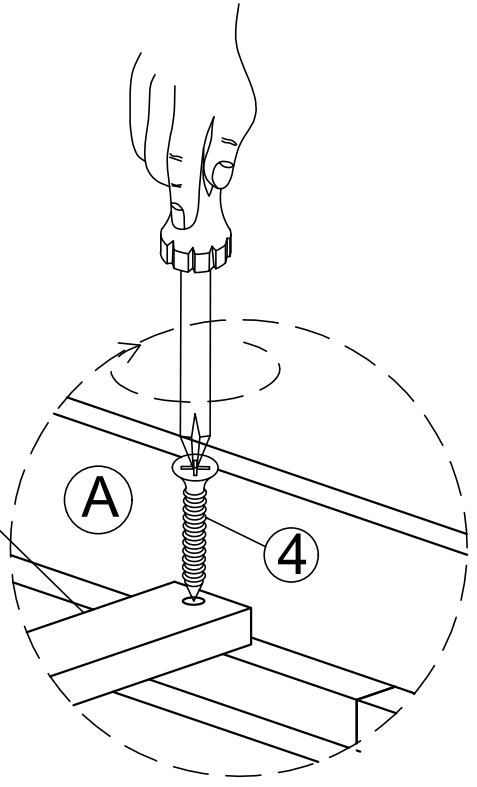
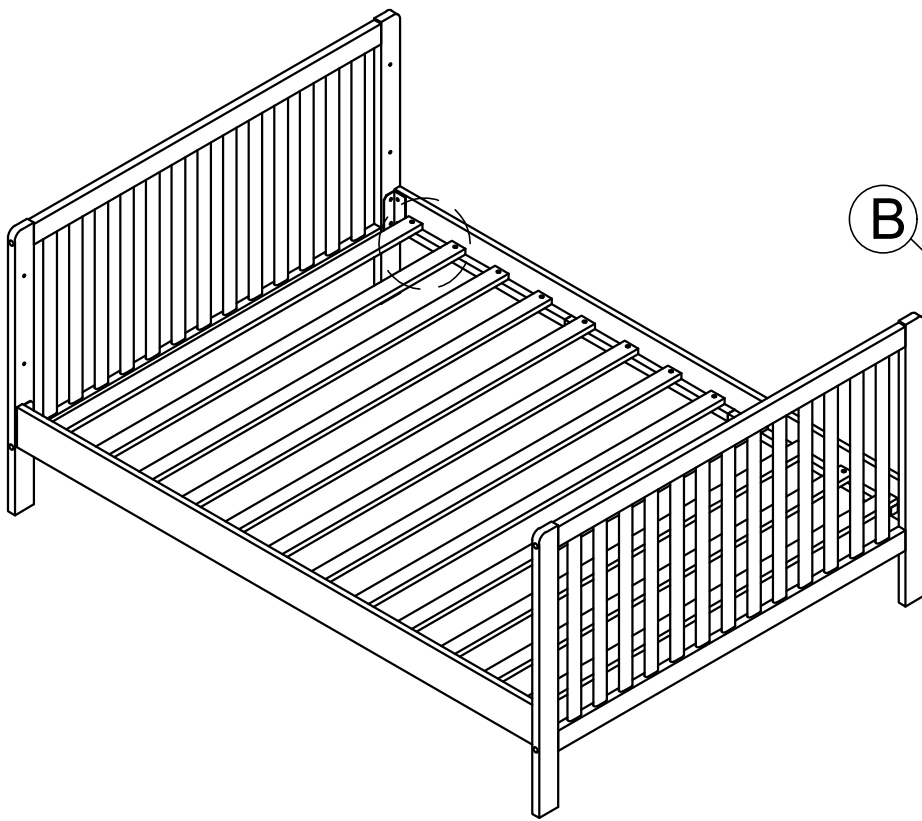
⑥




Q.ty: 1pc



①	②	③	⑥
			
Q.ty: 8pcs	Q.ty: 8pcs	Q.ty: 8pcs	Q.ty: 1pc



④

Q.ty: 24pcs