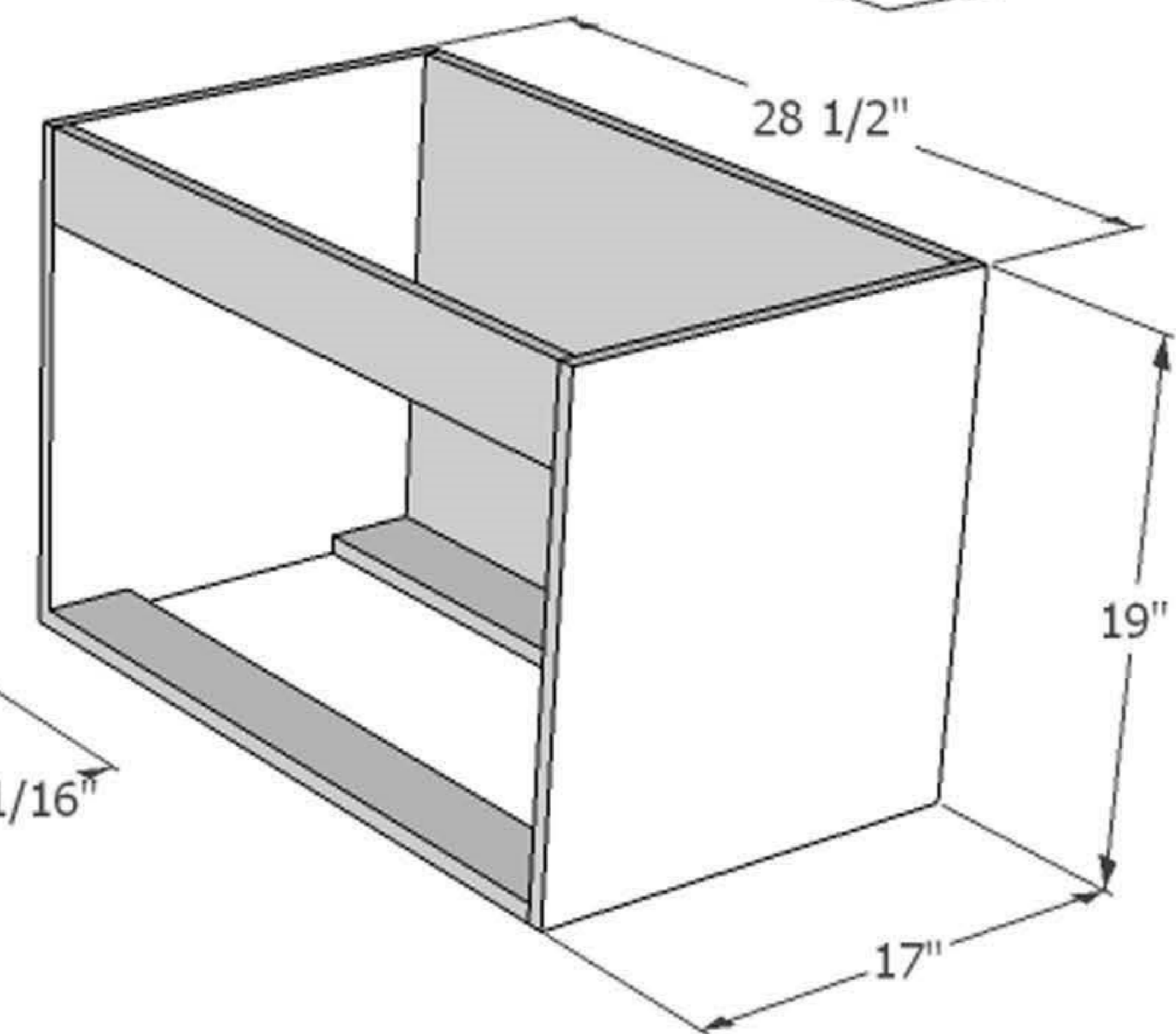
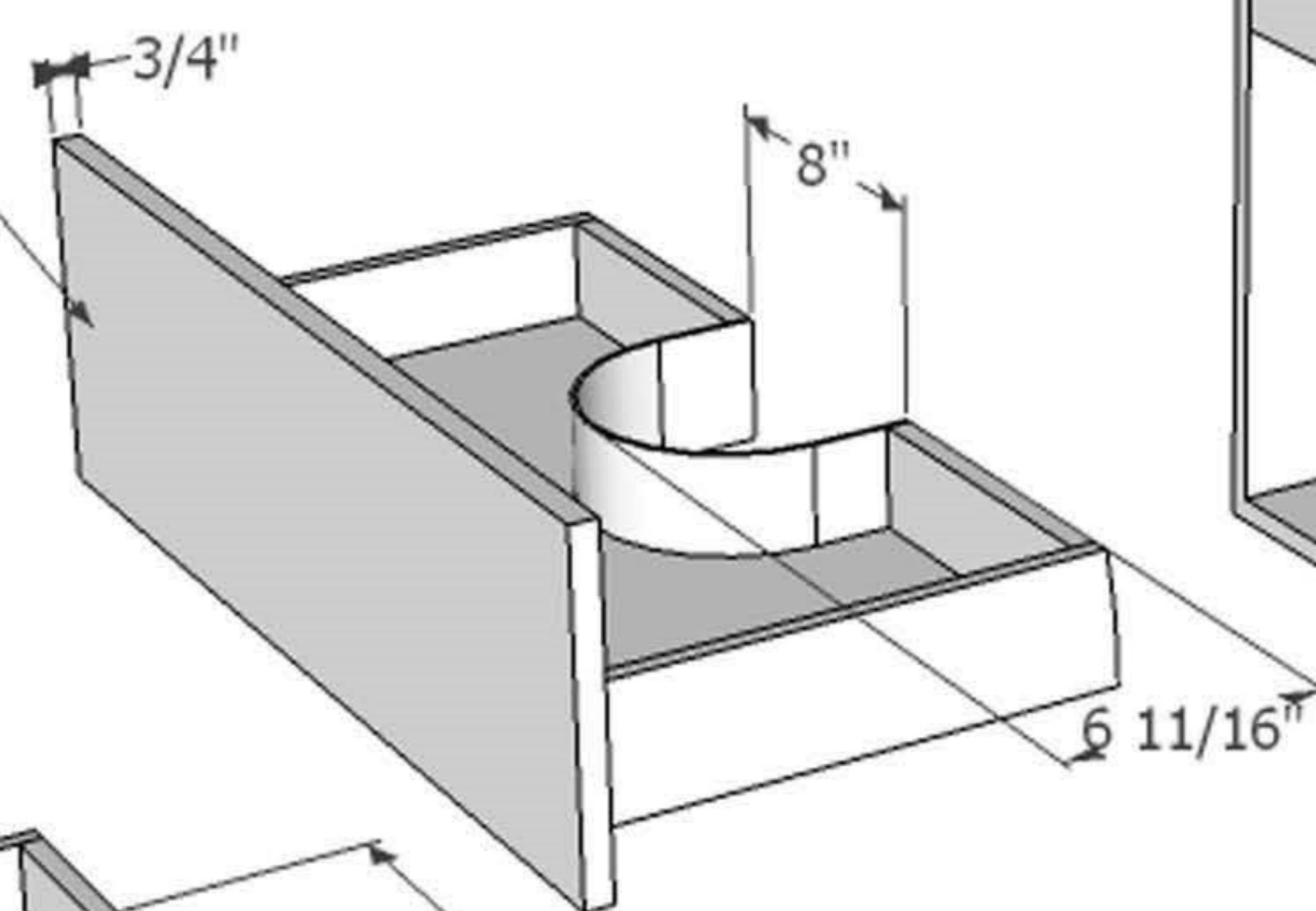
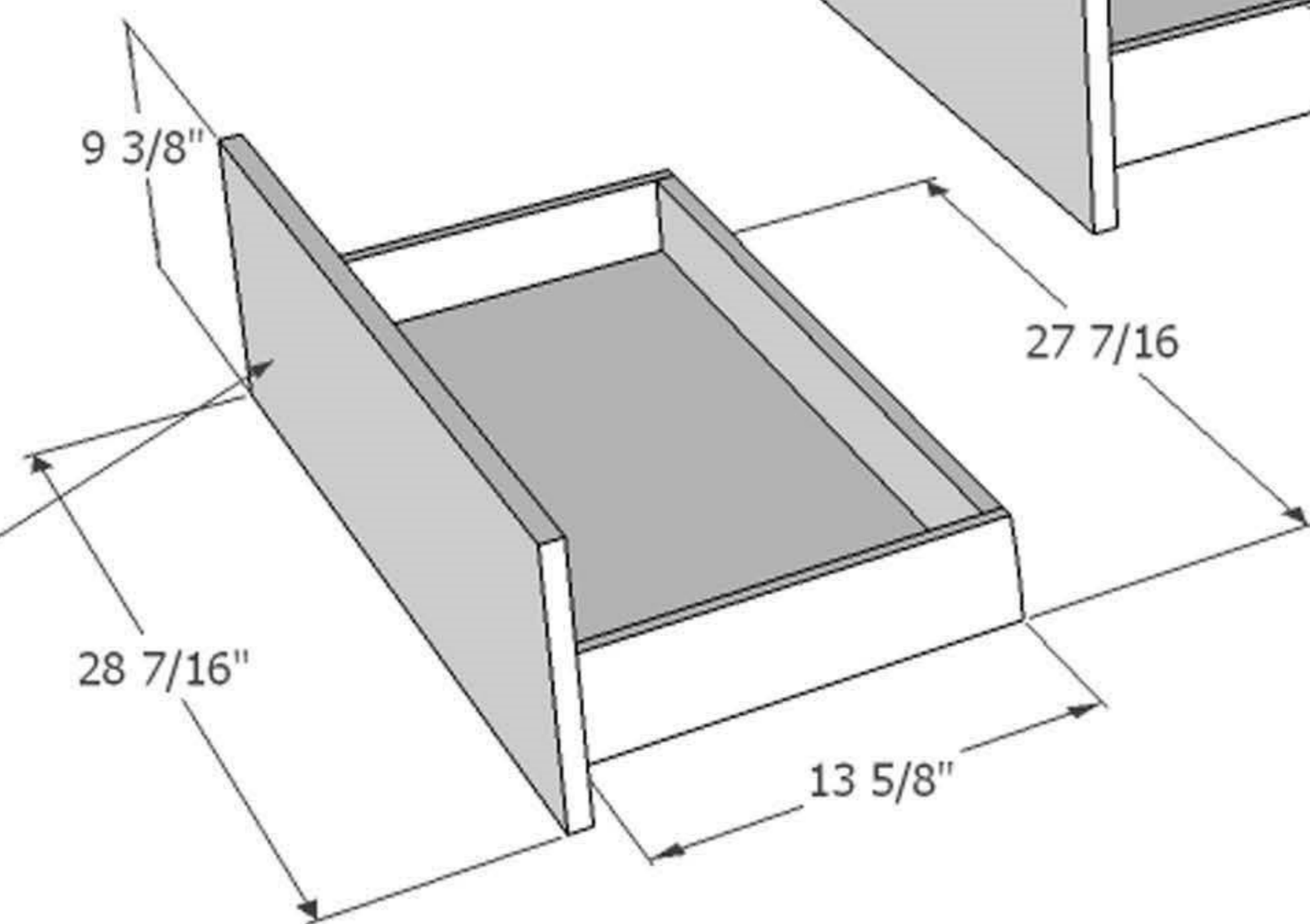


TOP DRAWER



BOTTOM DRAWER



PLUMBING SPECIFICATIONS

