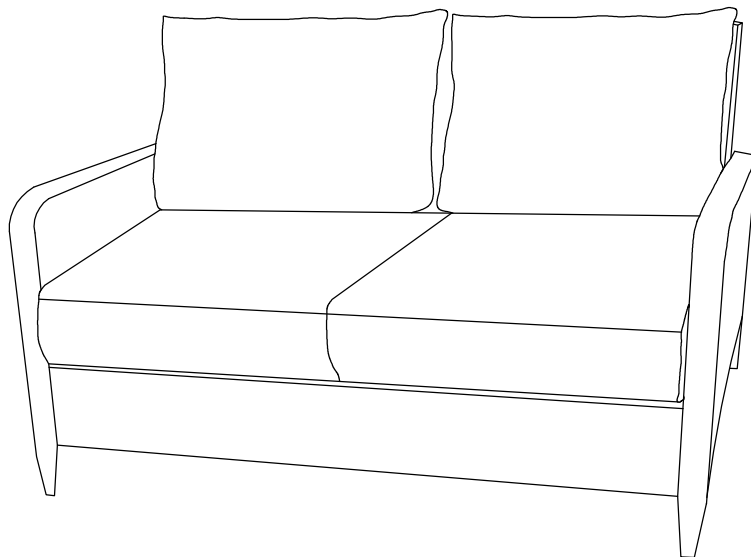


Outdoor Wicker Loveseat


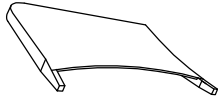
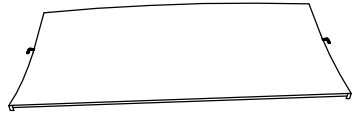

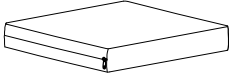



Congratulations! You have purchased a stylish piece of us .
We strive to provide fine furniture products, built with quality materials and hand finished details. Please carefully follow the assembly instructions to ensure your furniture is assembled correctly to provide long lasting enjoyment.

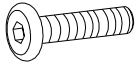
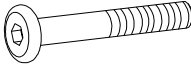
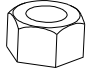
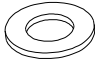
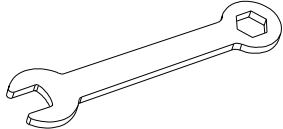
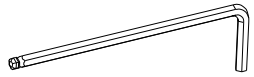
Should you experience any missing or damaged parts **do not return to the store.**

Care: Use a soft, clean cloth that will not scratch the surface when cleaning. The use of solvents is not necessary. Should you choose to use solvents, test in an inconspicuous area first to avoid damaging the finish. To clean, simply use a soft, clean cloth lightly dampened with water.

PART LIST

 <p>Left Arm Panel</p>		 <p>Right Arm Panel</p>		 <p>Back Panel</p>	
A	1PC	B	1PC	C	1PC
 <p>Seat Panel</p>		 <p>Seat Cushion</p>		 <p>Back Cushion</p>	
D	1PC	E	2PCS	F	2PCS

HARDWARE LIST

 <p>Short Bolt(M6*40mm)</p>		 <p>Long Bolt(M6*50mm)</p>		 <p>Nut(M6mm)</p>	
G	7PCS	H	4PCS	I	4PCS
 <p>Washer(M6mm)</p>		 <p>Wrench(M6mm)</p>		 <p>Allen Key(M6mm)</p>	
J	15PCS	K	1PC	L	1PC

EXTRA HARDWARE LIST

 G X2PCS

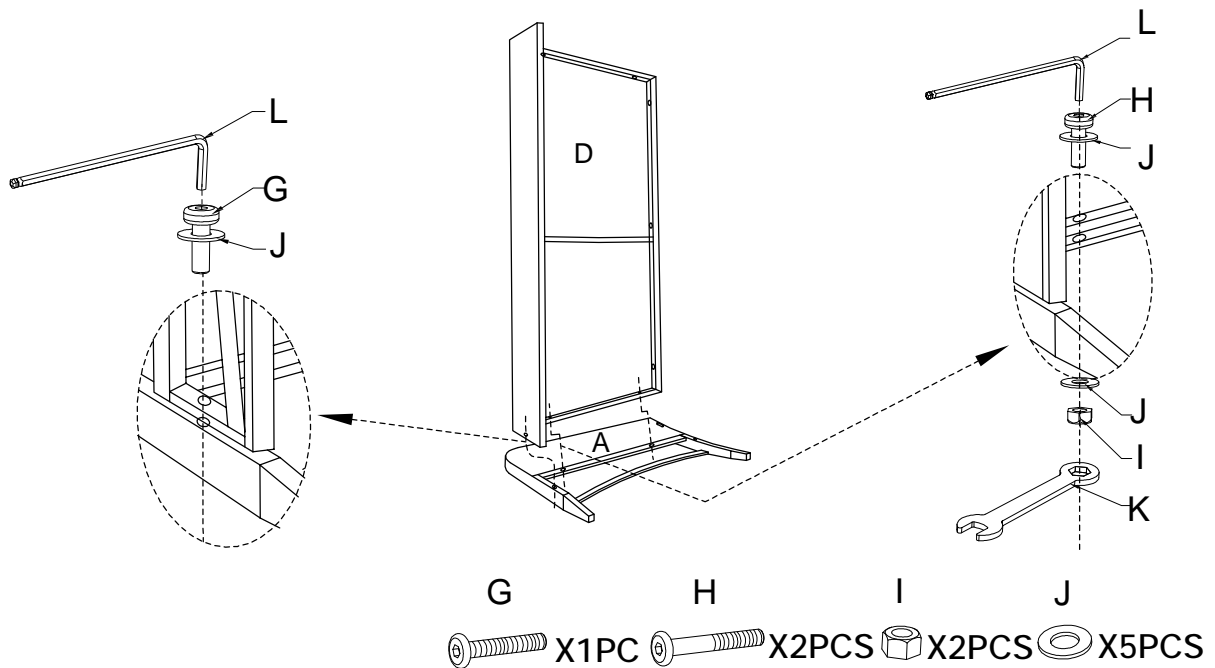
 H X1PC

 I X1PC

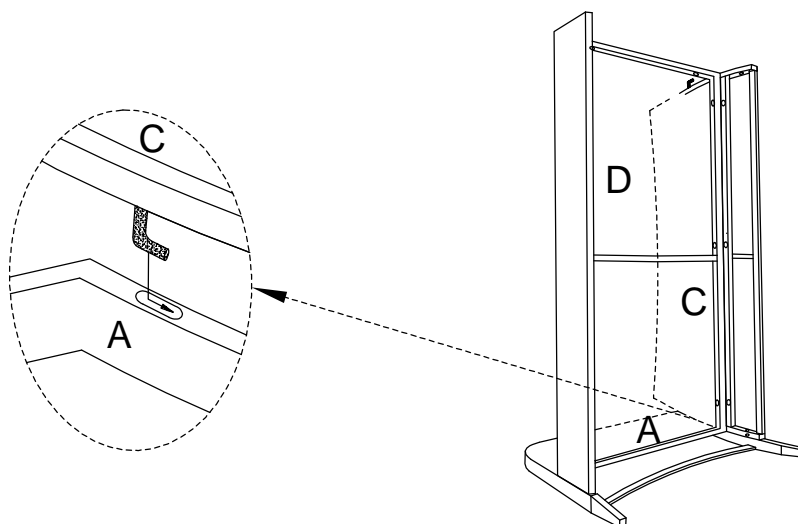
 J X3PCS

Step 1. Lay Left Arm Panel (A) down on a flat surface. Attach Seat Panel(D) to Left Arm Panel(A) using the Short Bolts(G),Long Bolts(H), Washers(J),Nuts(I), Wrench(K) & Allen Key (L).

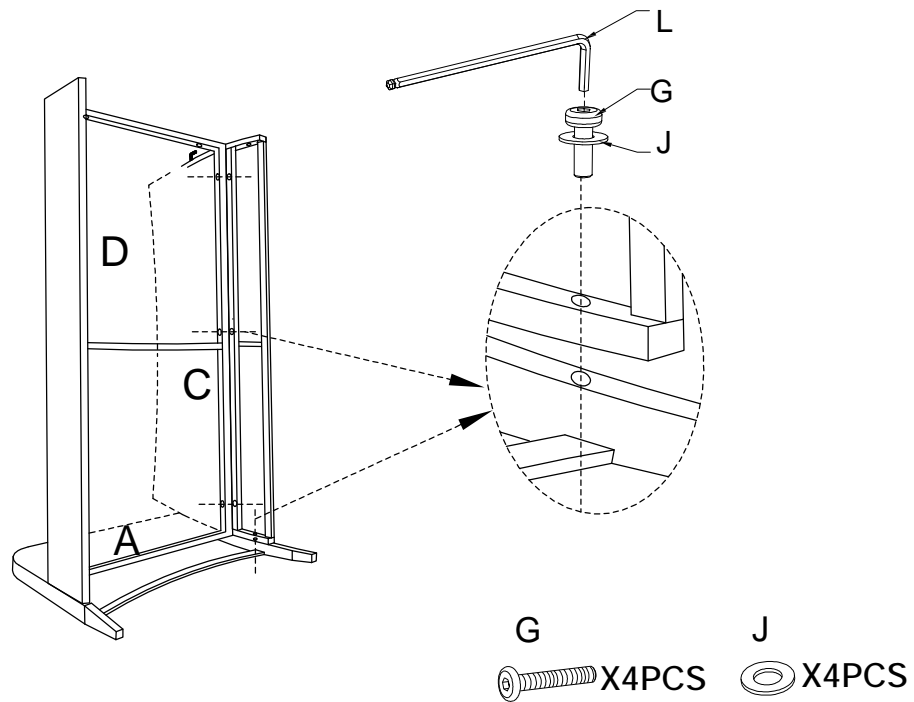
NOTE: Please do not fully tighten bolts until unit is fully assembled.



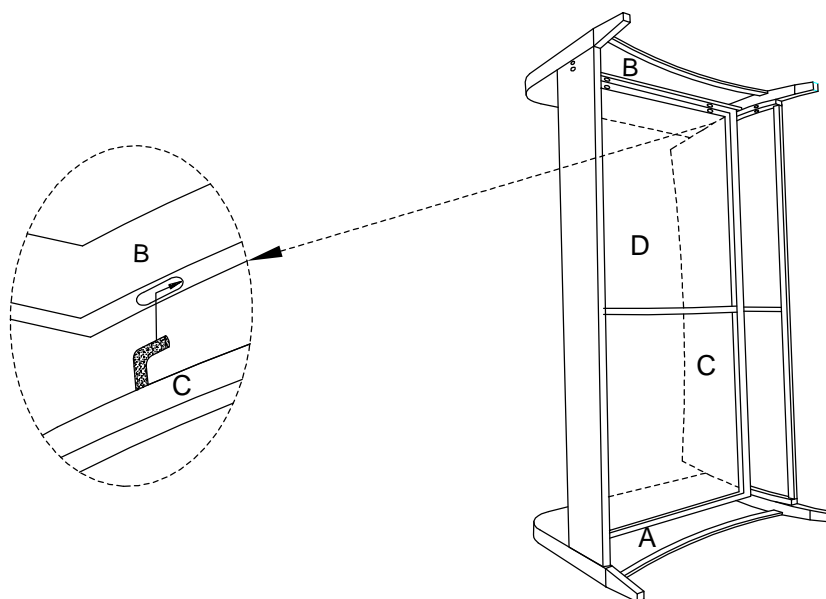
Step 2. Attach Back Panel (C) to Left Arm Panel (A) by inserting hook into the hole on Left Arm Panel (A).



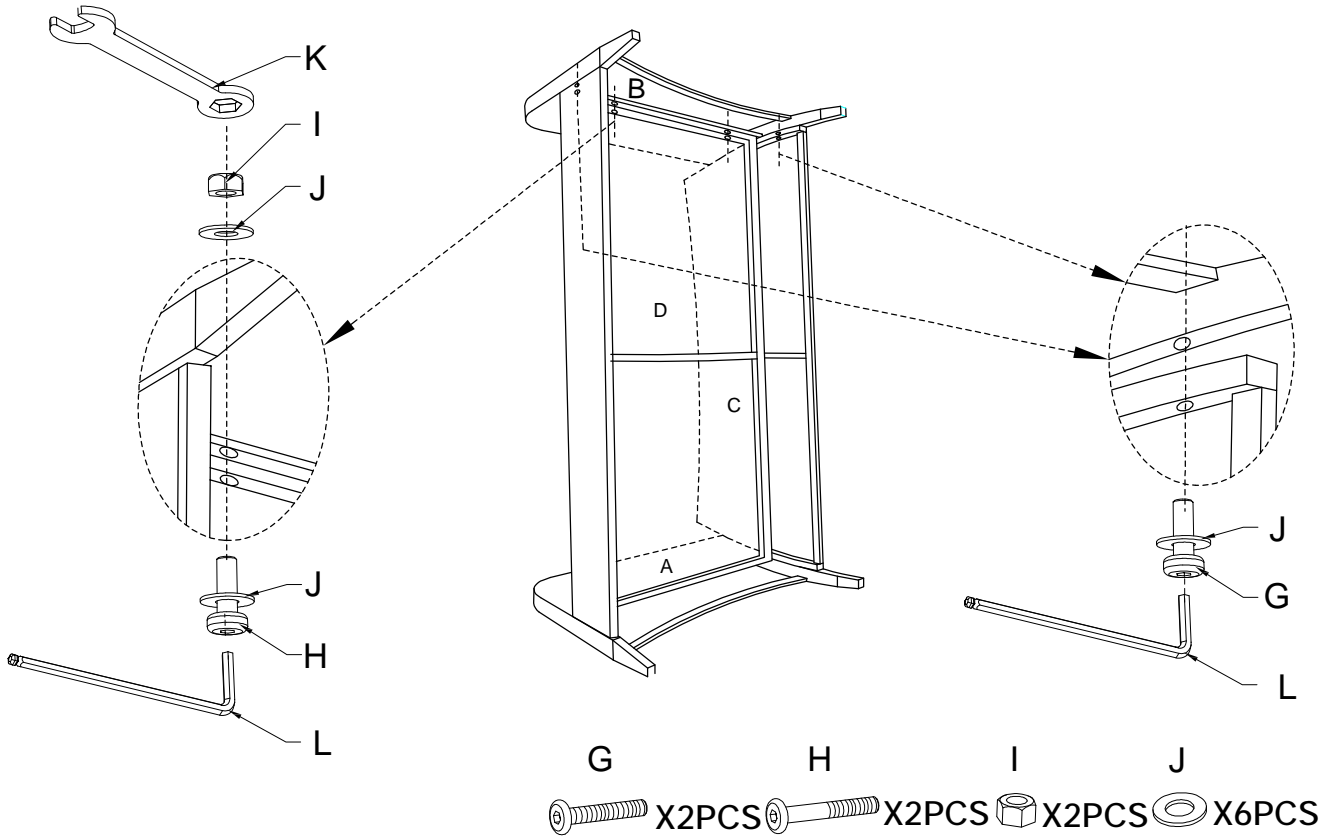
Step 3. Attach Back Panel(C) to Left Arm Panel(A) and Seat Panel (D) using the Short Bolts(G) Washers(J) & Allen Key (L).



Step 4. Attach Right Arm Panel (B) to Back Panel (C) by inserting hook into the hole on Right Arm Panel (B).



Step 5. Attach Right Arm Panel (B) to assembled parts(A,C&D) using the Short Bolts (G),Long Bolts (H),Washers (J),Nuts (I),Wrench (K), and Allen Key (L).



Step 6. Place Seat Cushion and Back Cushion on the loveseat.

