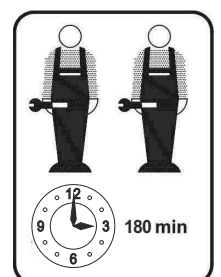
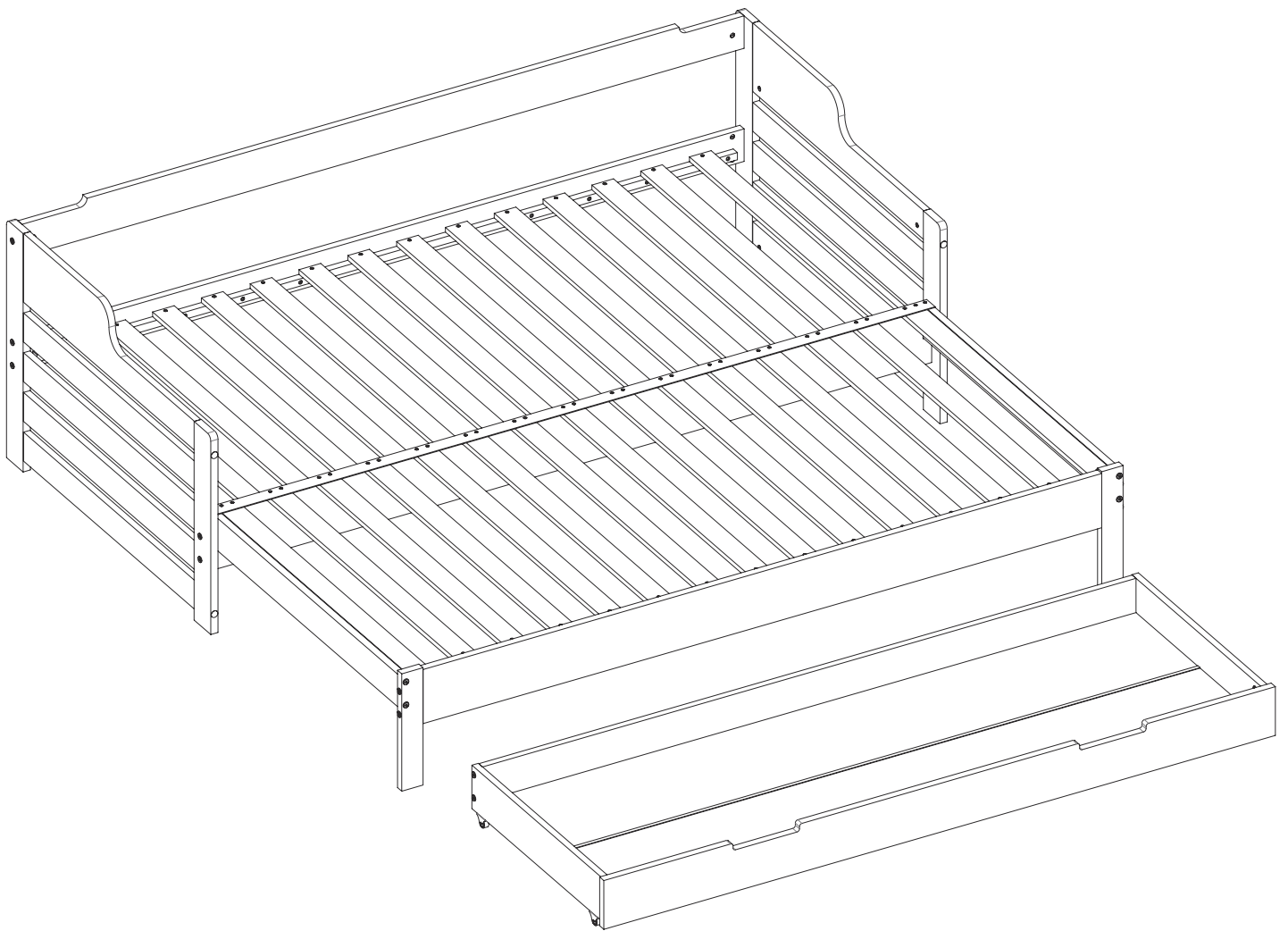


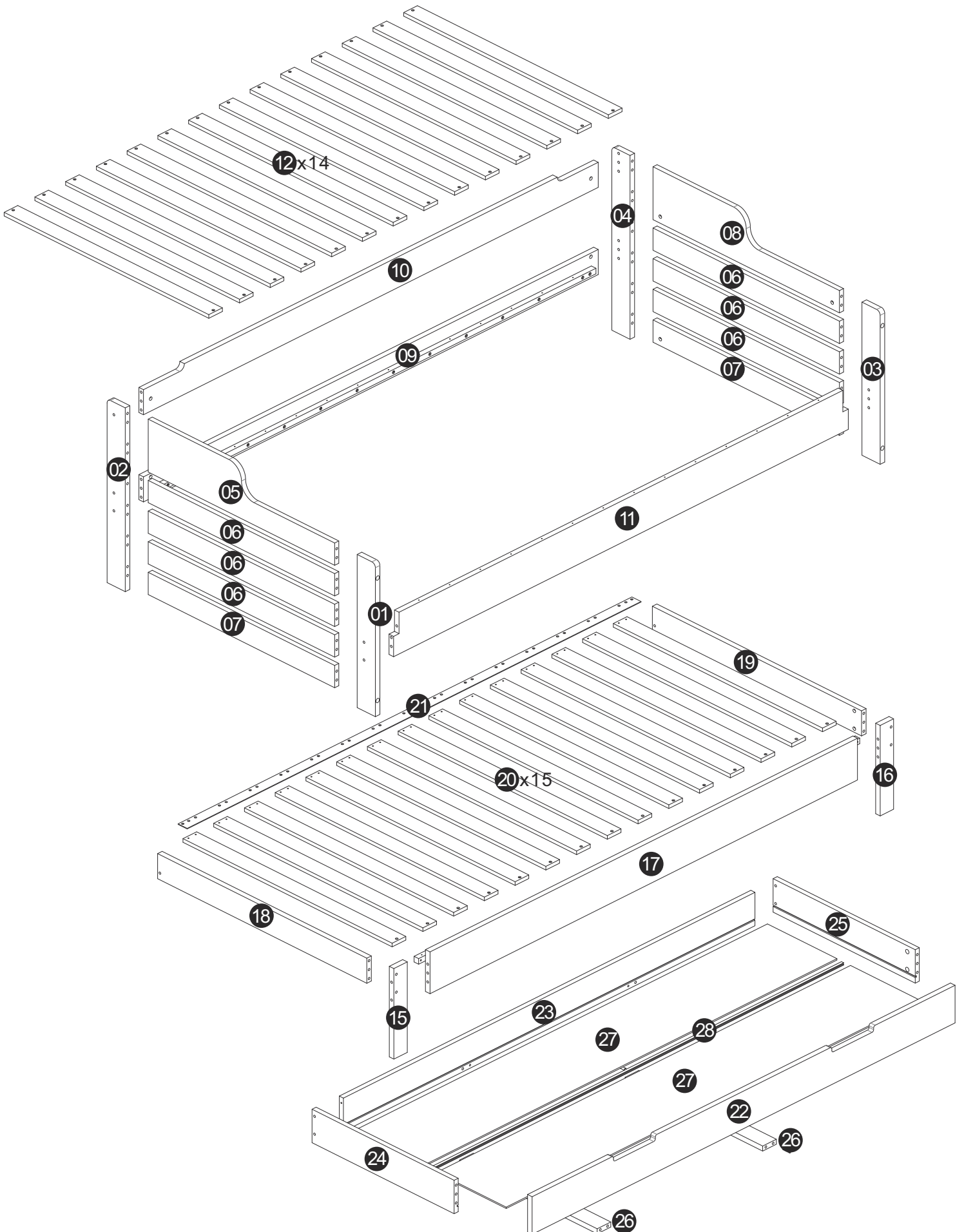
ASSEMBLY INSTRUCTION

**This set will be shipped by 2 boxes and they may arrive on different days.
If both packages arrived but parts missing, please contact customer service.**

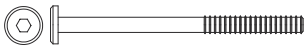
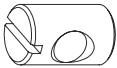


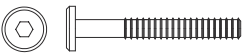


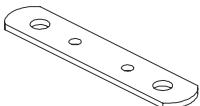



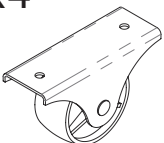
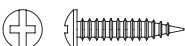


Daybed with Trundle & Drawer 190x90cm



DETAIL VIEW



HARDWARE LISTS

<p>A x12</p>  <p>M6x100</p>	<p>B x26</p> 	<p>C x52</p>  <p>Φ8x30</p>	<p>D x2</p>  <p>Φ6x100</p>
<p>E x14</p>  <p>M6x70</p>	<p>F x49</p>  <p>Φ4x30</p>	<p>G x30</p>  <p>Φ3.5x14</p>	<p>H x2</p> 
<p>J x8</p> 	<p>K x8</p> 	<p>L x4</p>  <p>Φ6x60</p>	<p>M x4</p> 
<p>N x8</p>  <p>Φ3.5x16</p>	<p>P x1</p> 	<p>Q x10</p> 	

Important information:

Check all the components and screws before assembly. Please don't hesitate to contact us if the package you received is missing parts or screws.

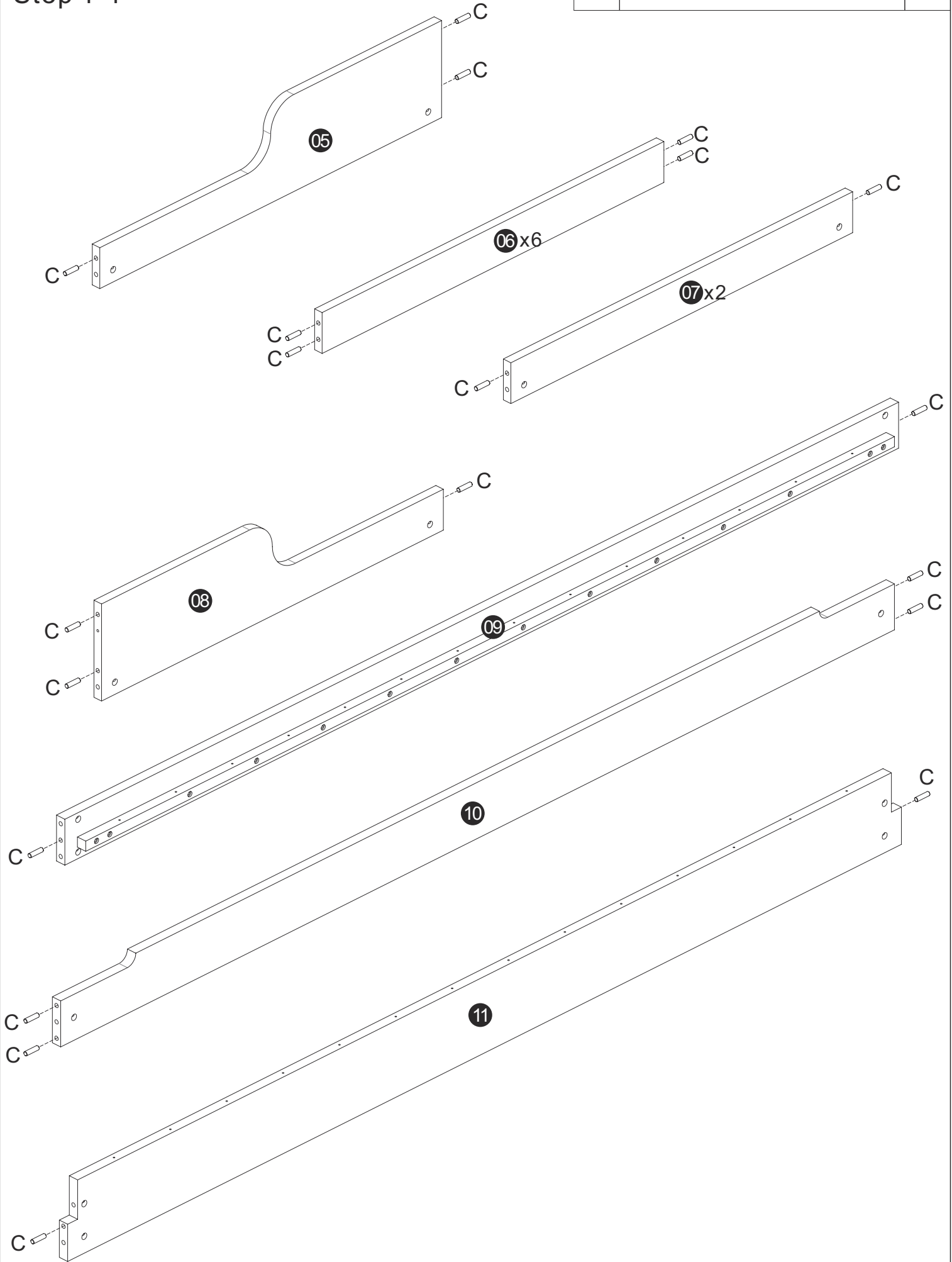
Step 1-1

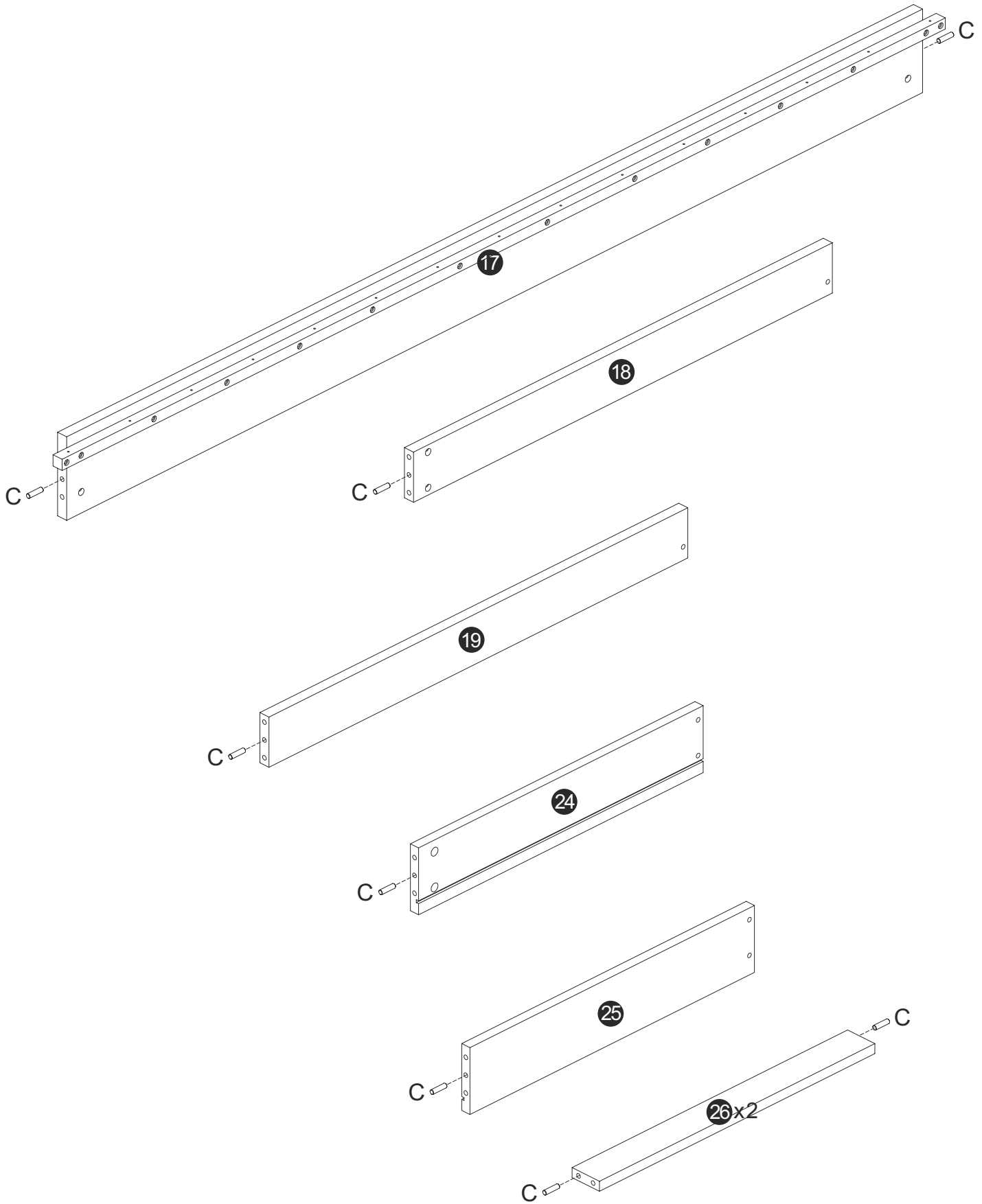
C



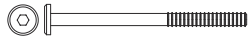

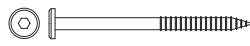
Φ8x30

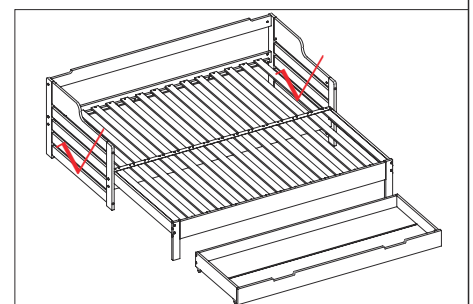
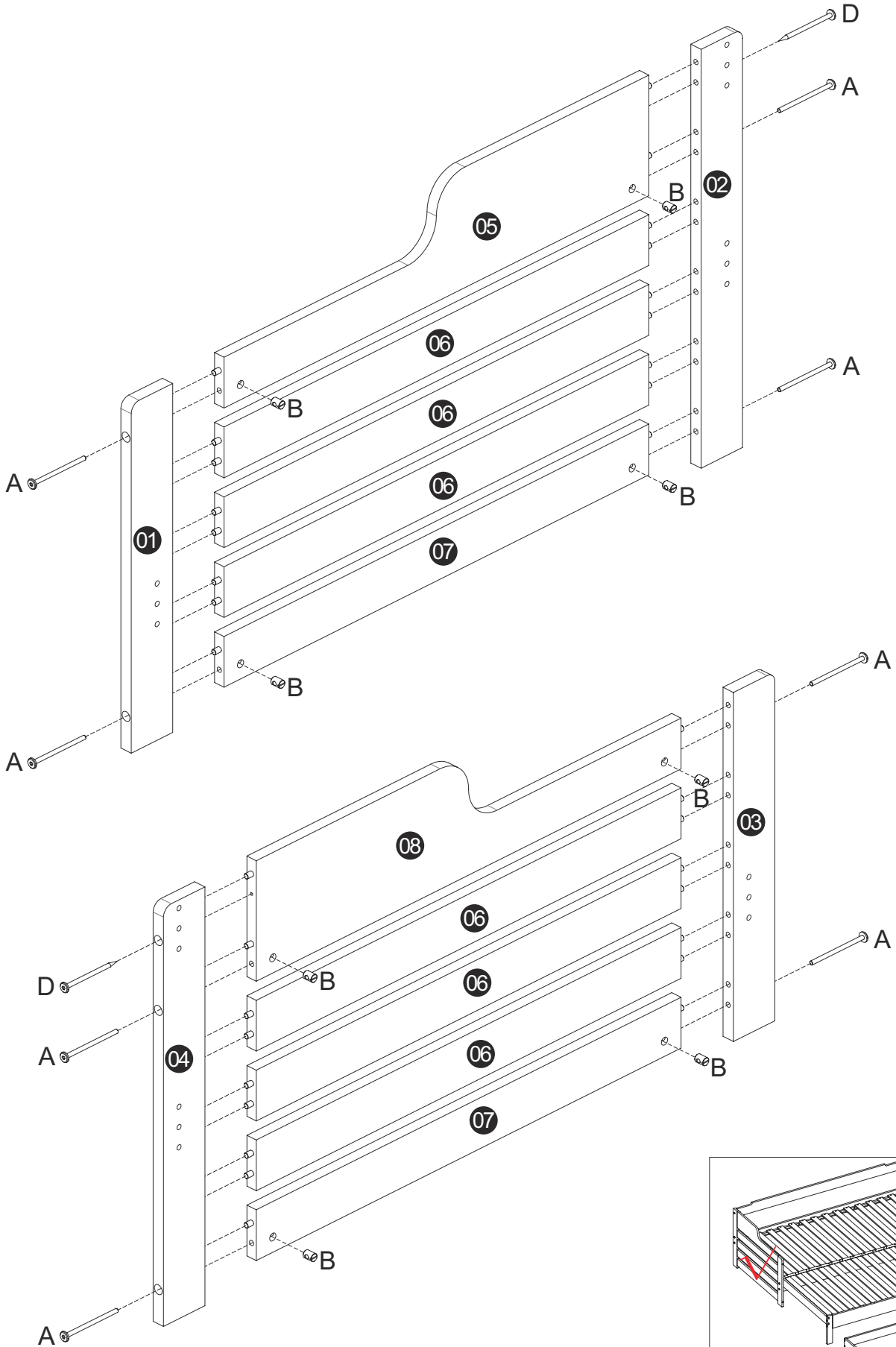
42




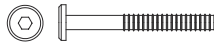


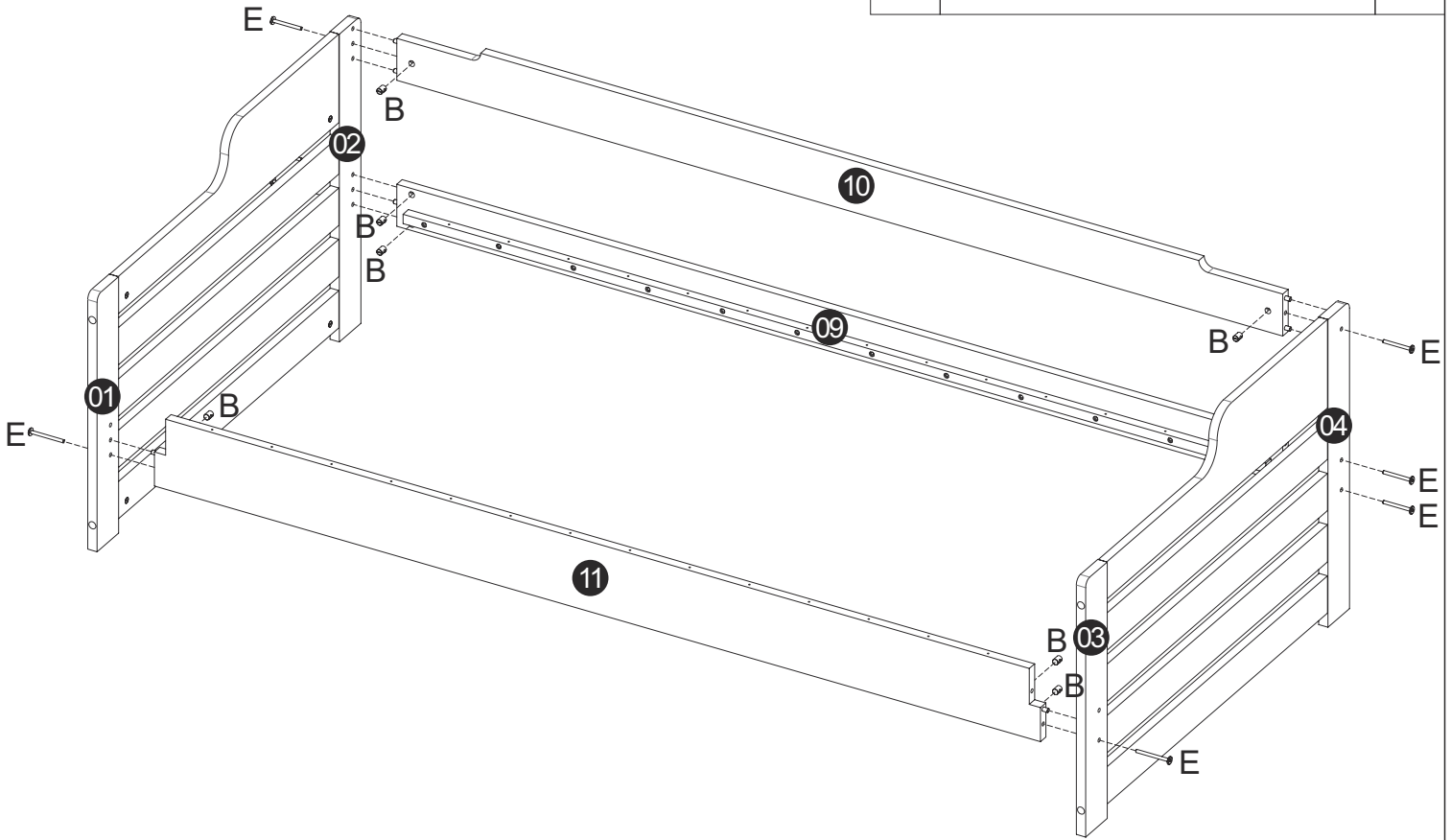
Step 2

A		M6x100	8
B			8
D		Φ6x100	2



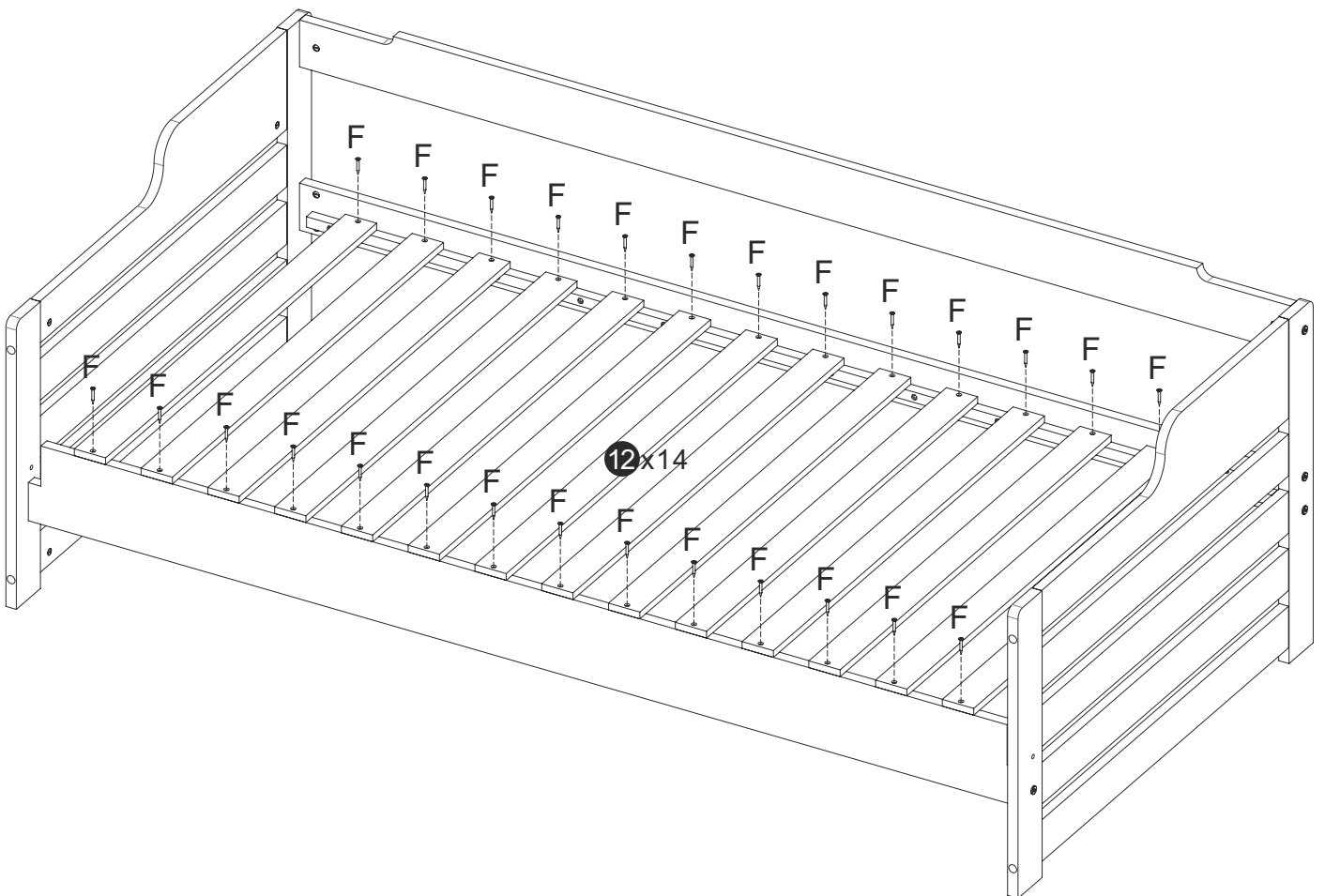
Step 3

B		10
E	 M6x70	8

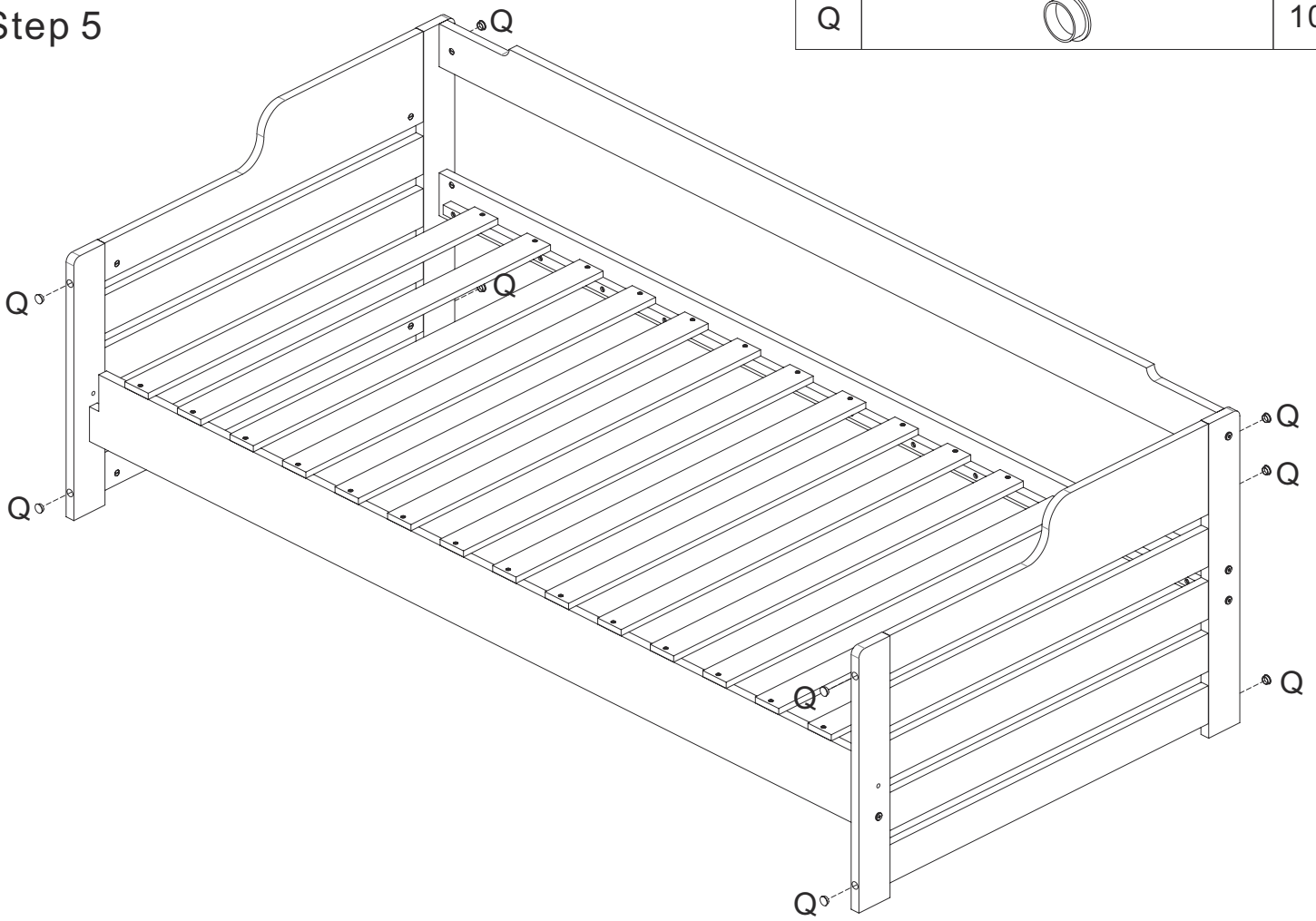



Step 4

F	 $\Phi 4 \times 30$	28
---	--	----

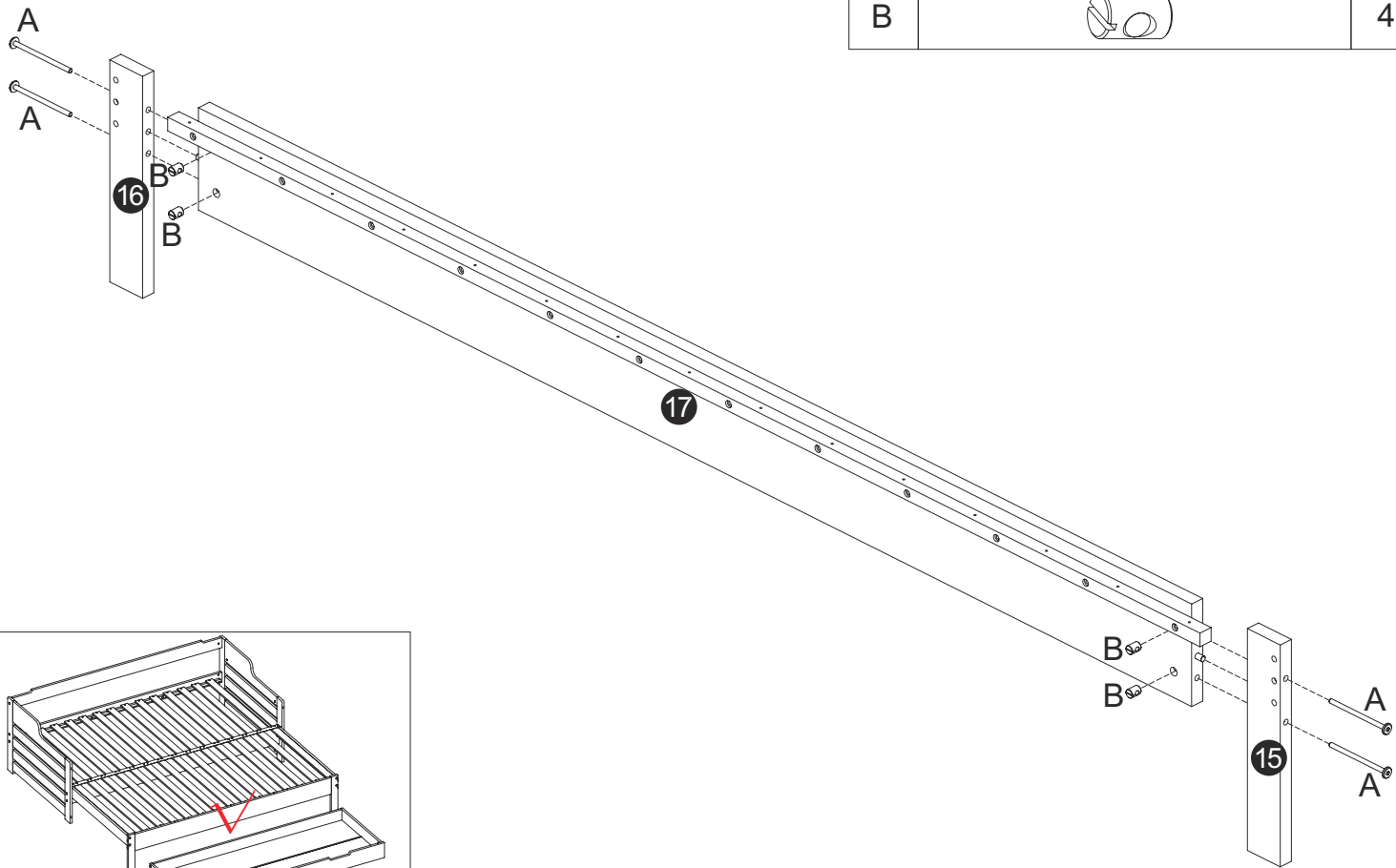




Step 5





Q		10
---	--	----

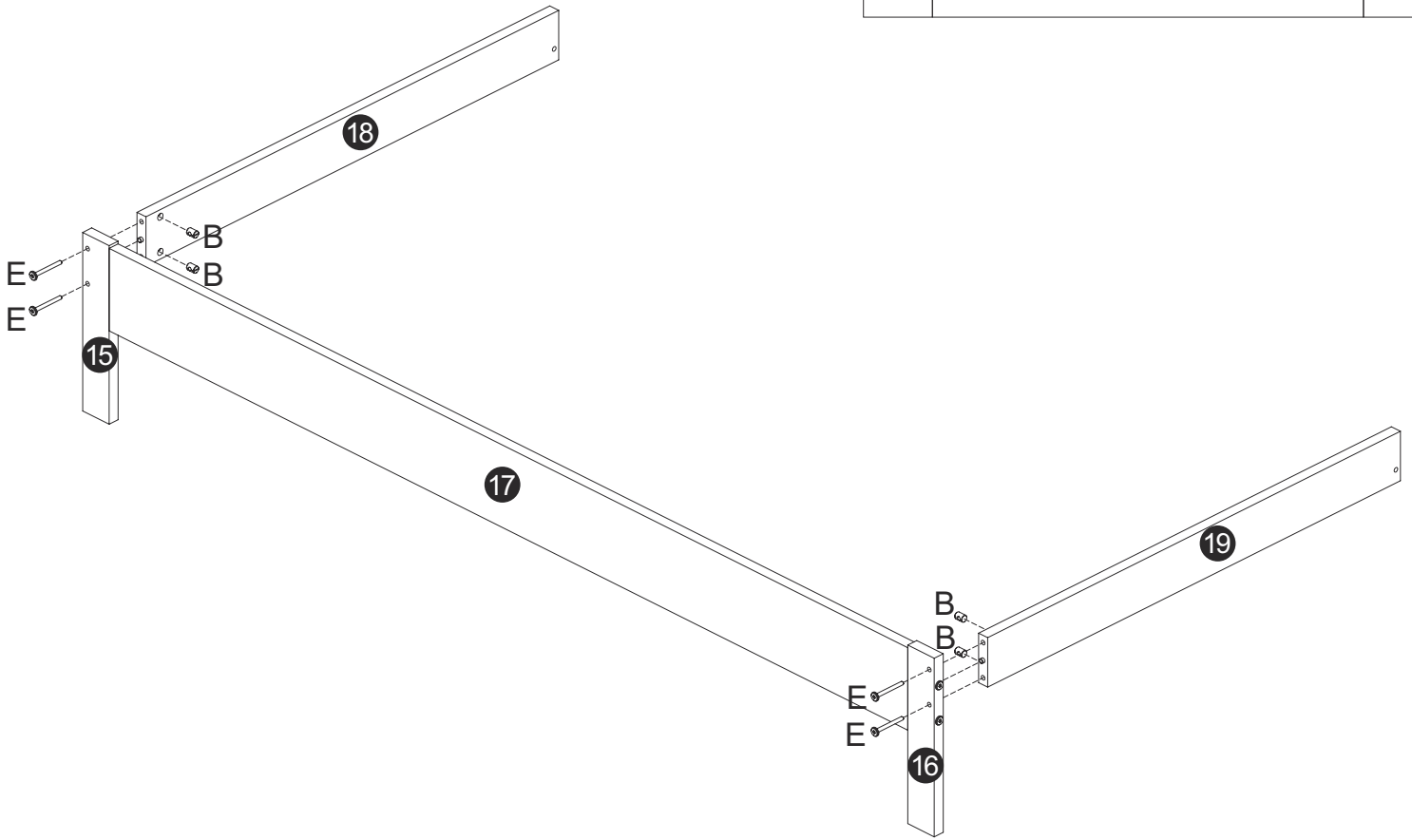
Step 6





A	 M6x100	4
B		4

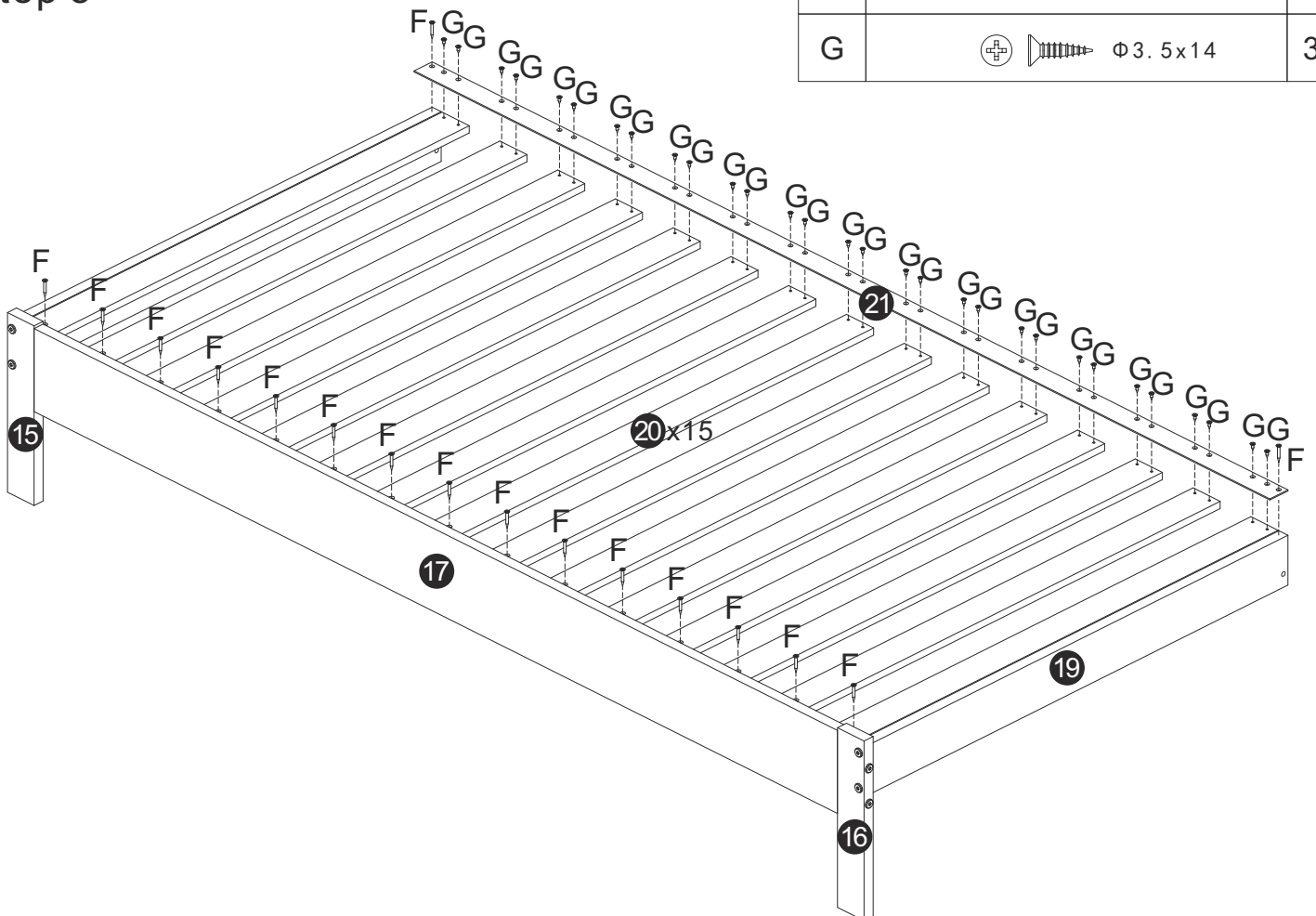
Step 7

B		4
E	 M6x70	4


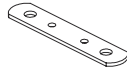


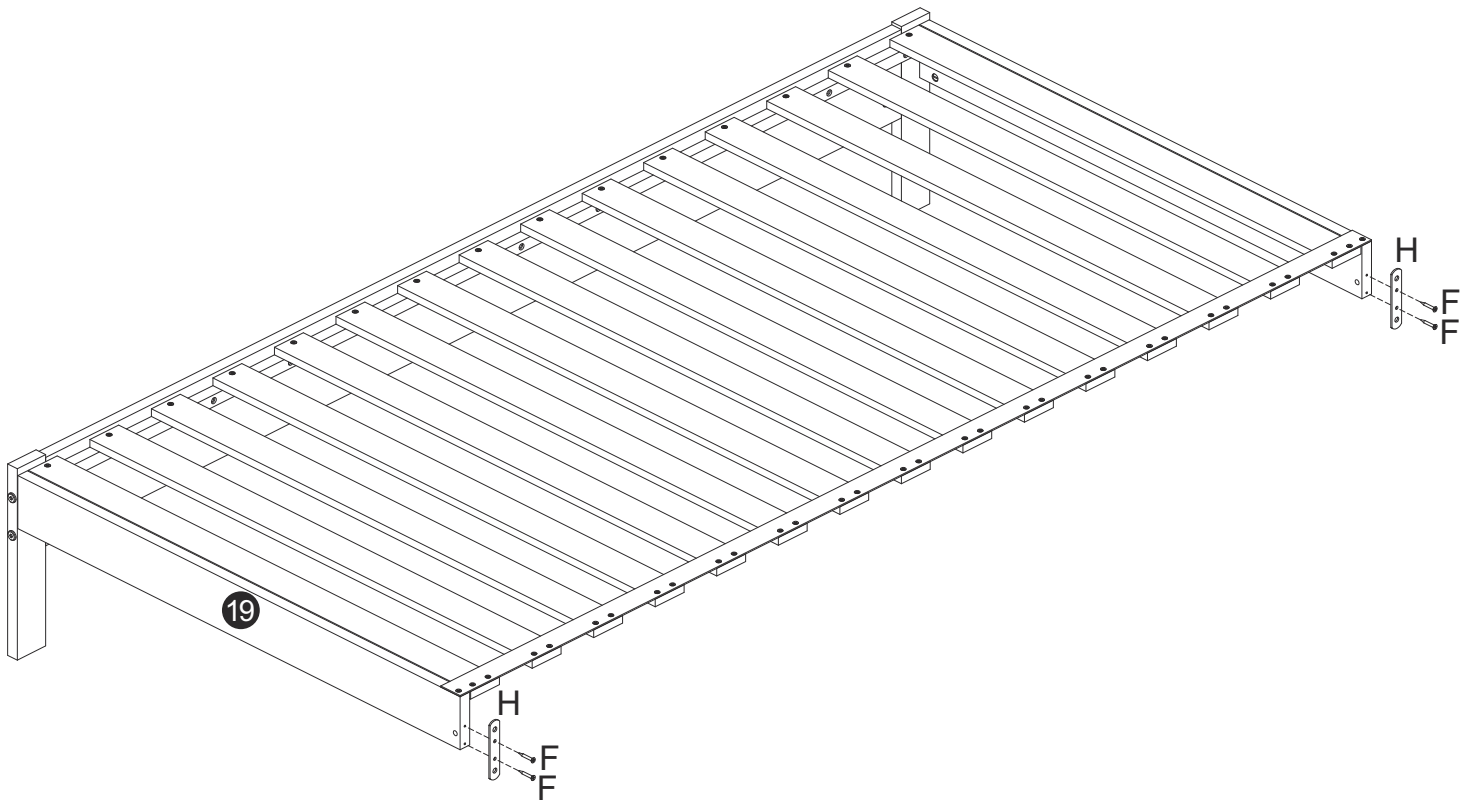
Step 8

F	 $\Phi 4 \times 30$	17
G	 $\Phi 3.5 \times 14$	30

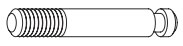


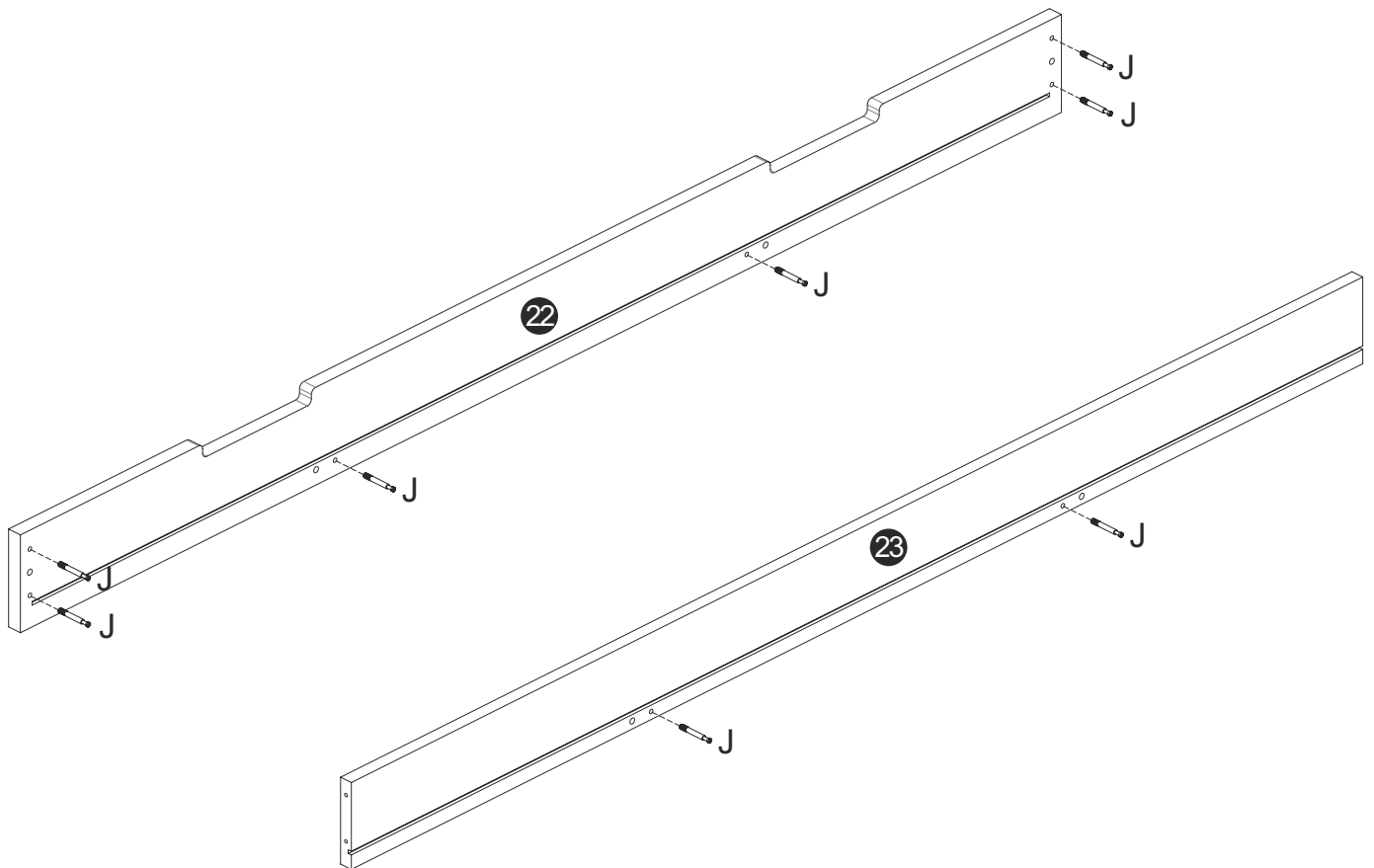
Step 9

F	 $\Phi 4 \times 30$	4
H		2



Step 10

J		8
---	---	---

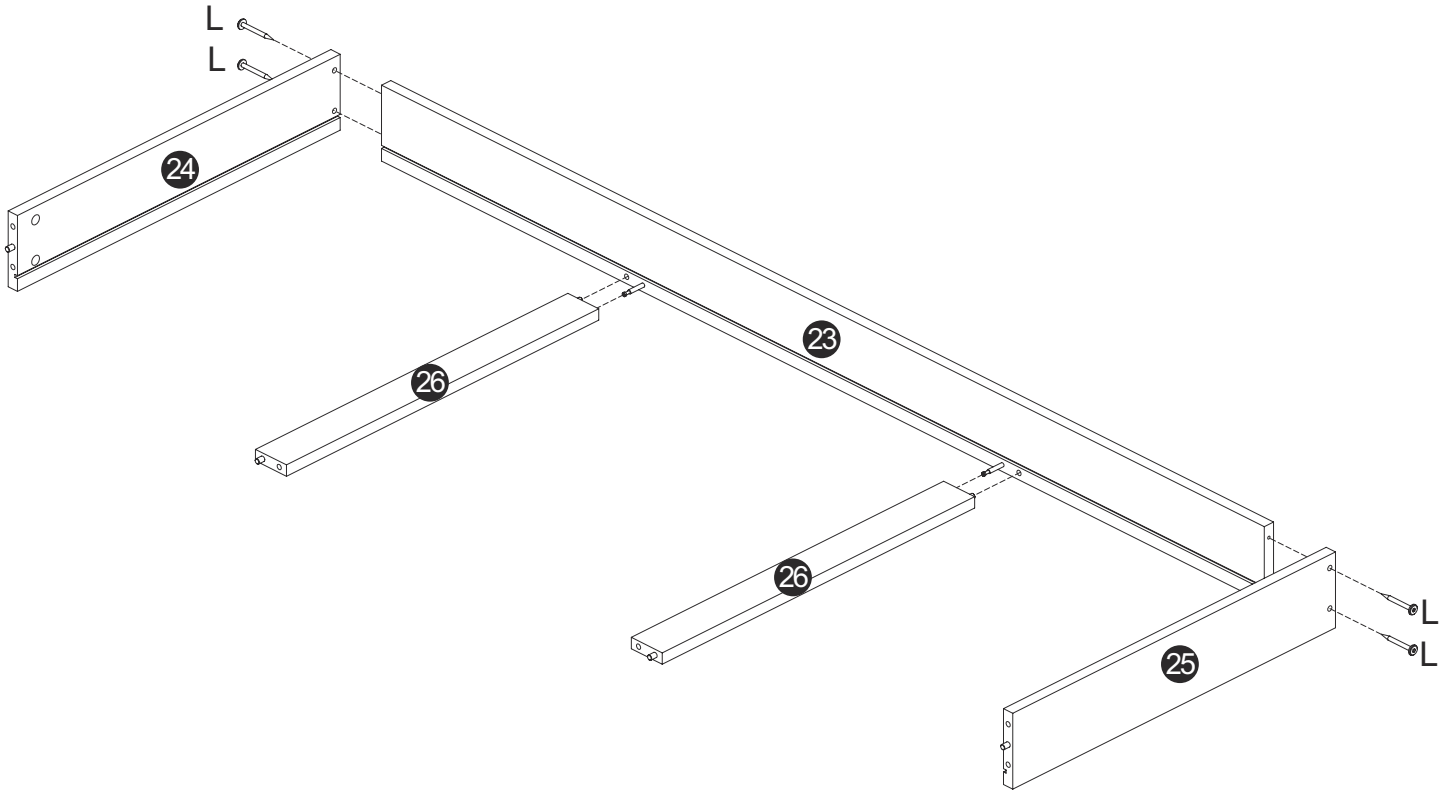


Step 11

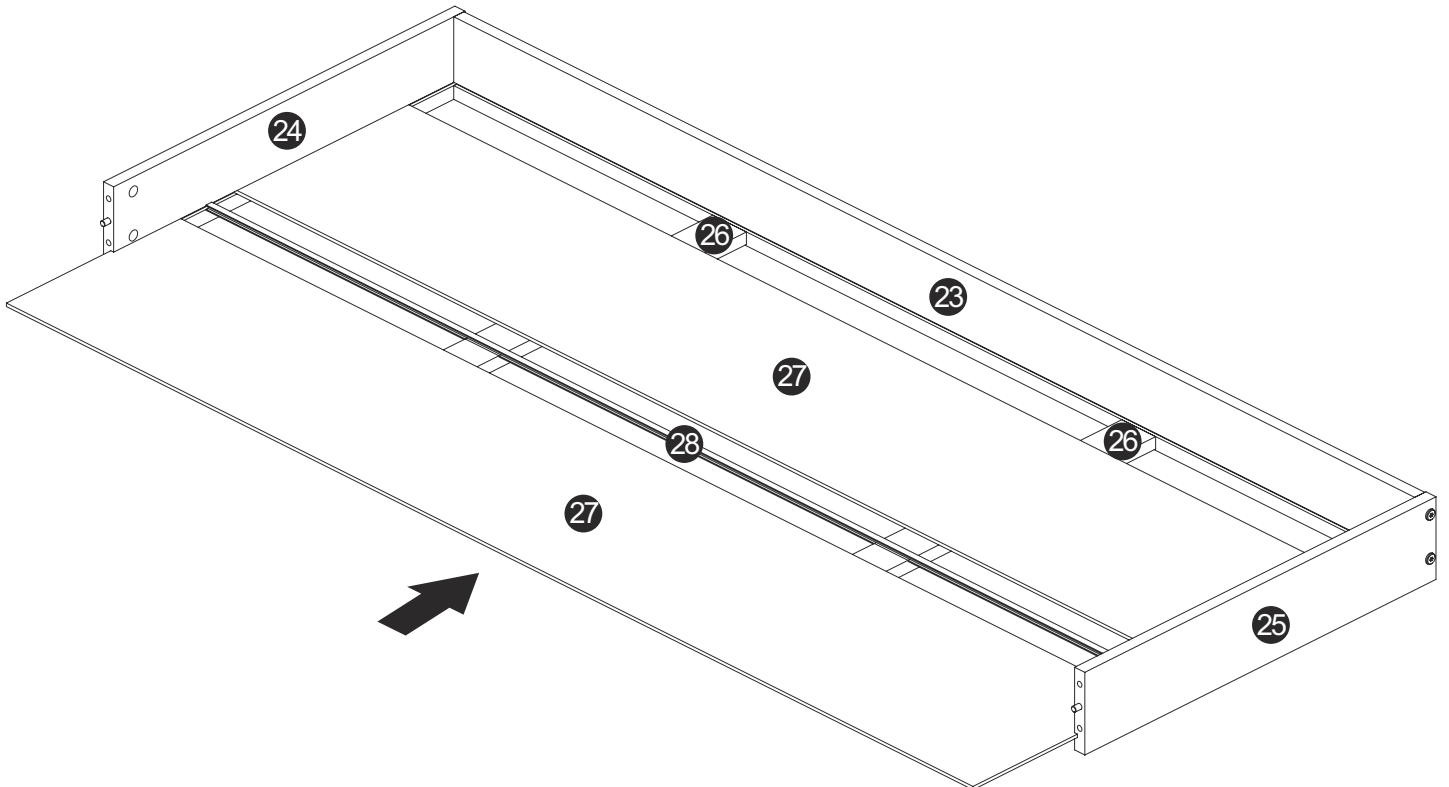
L



4



Step 12

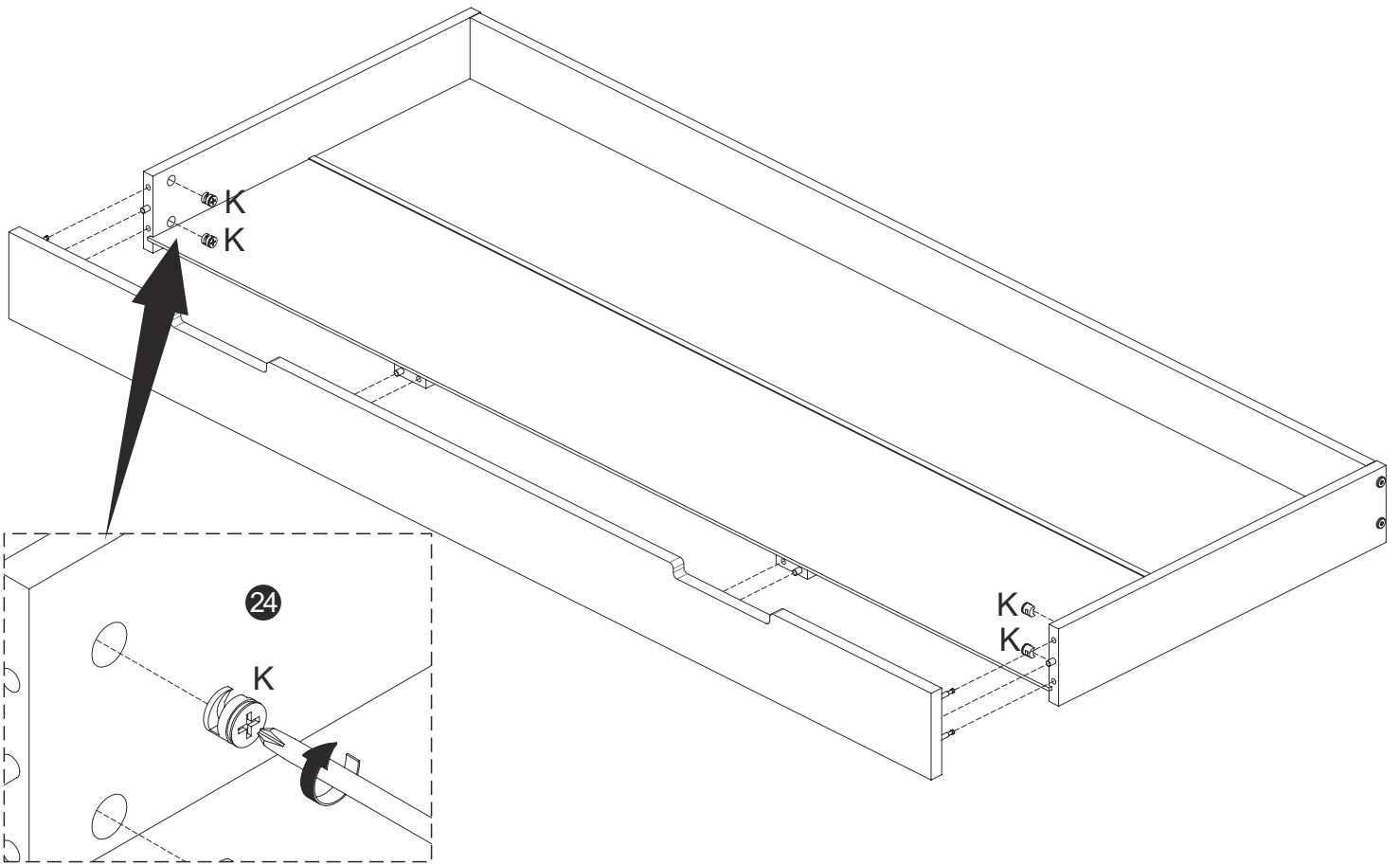


Step 13

K



4



Step 14

K



4

M

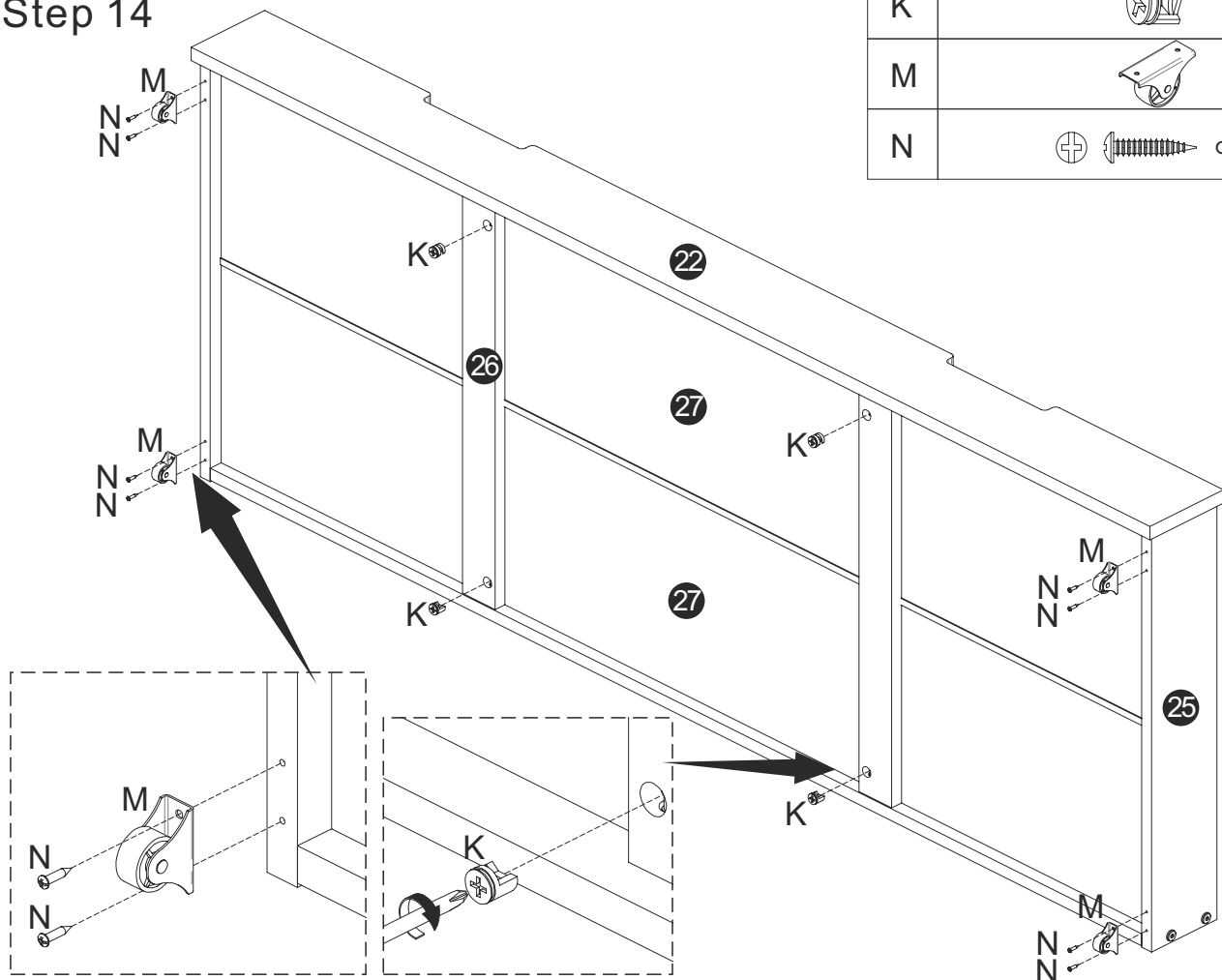


4

N

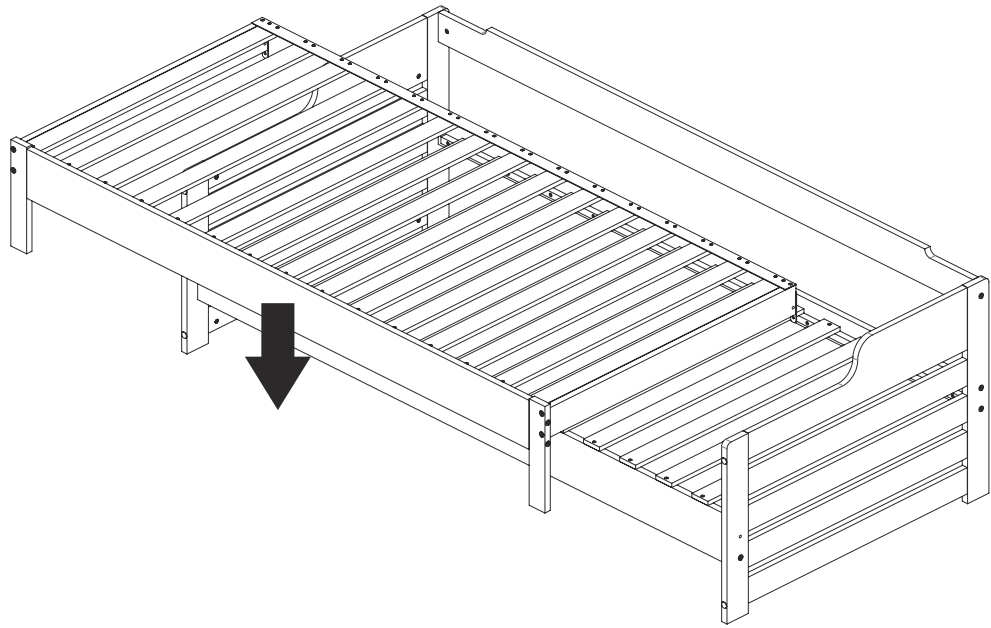


8

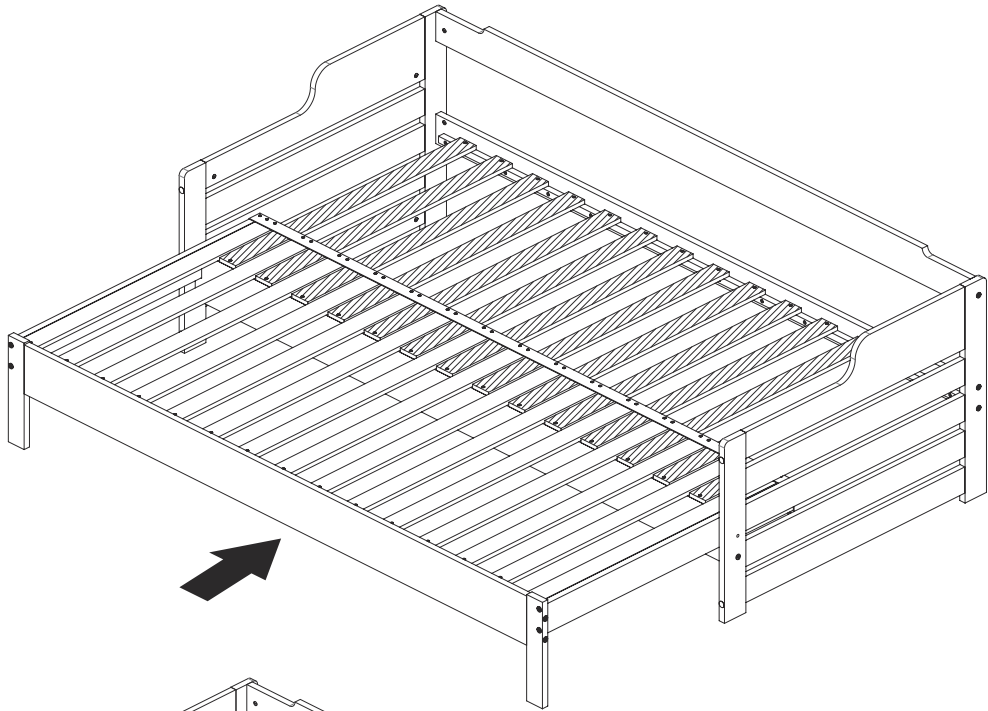


Step 15

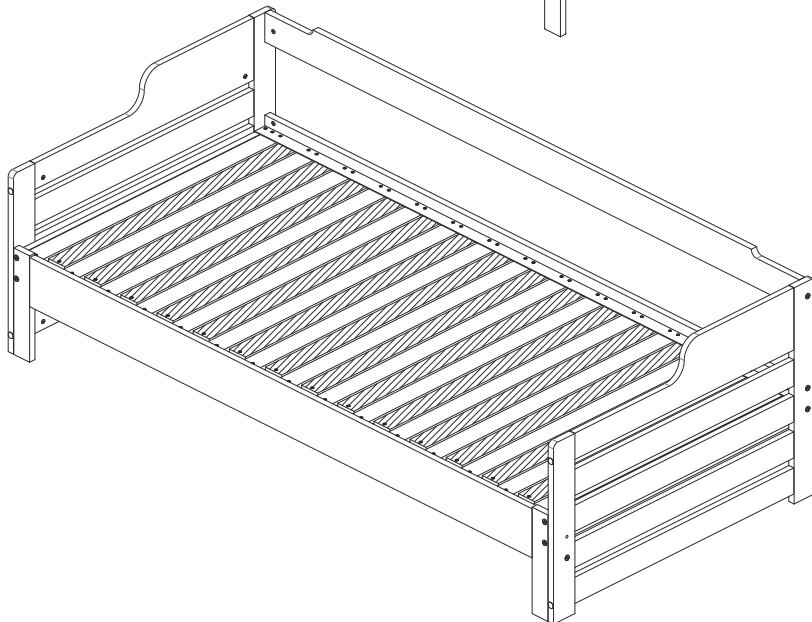
1

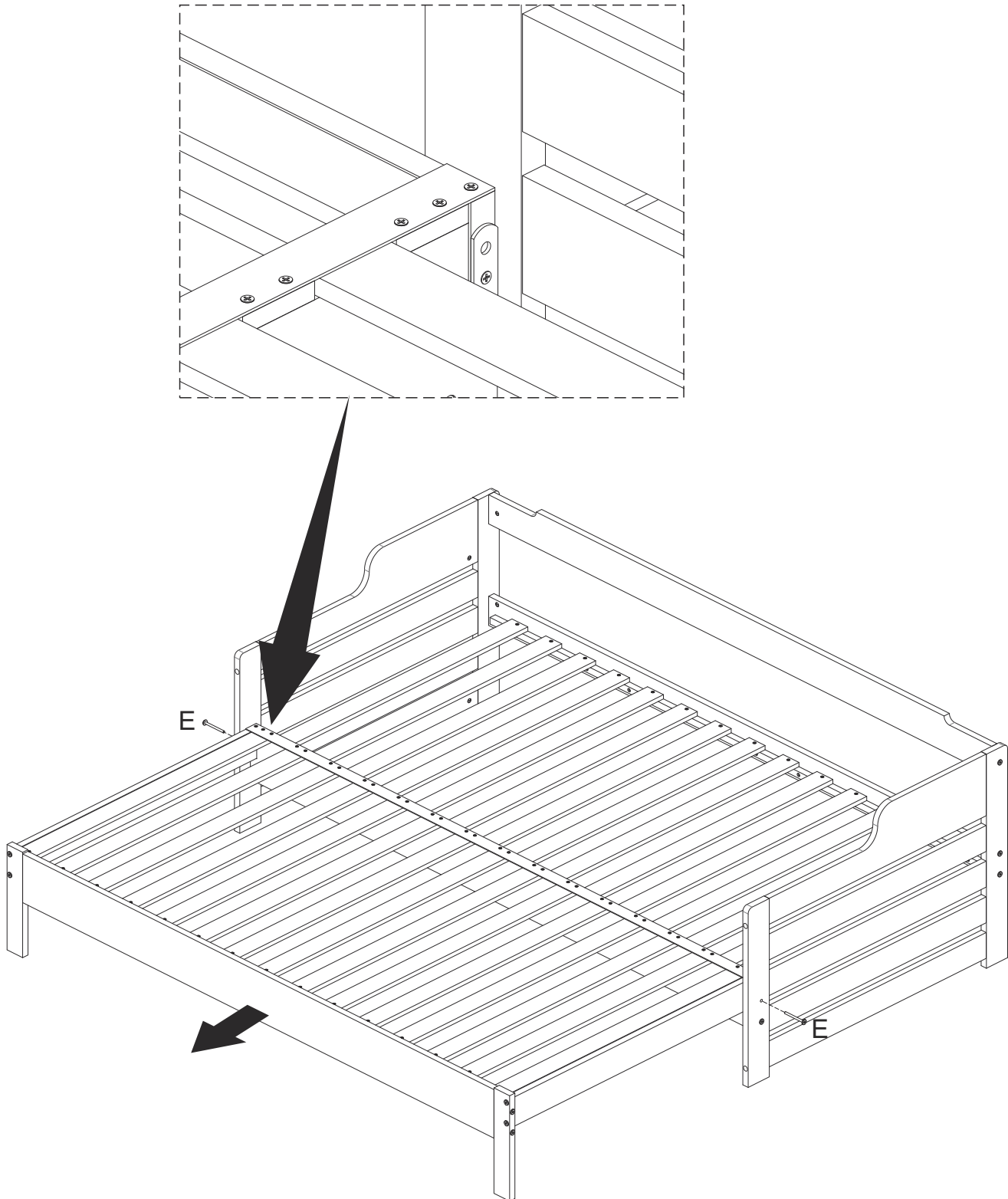


2



3





Please note that the trundle bed cannot be pushed once screws #E assembled.
Please keep screws #E for future use.

Step 17

