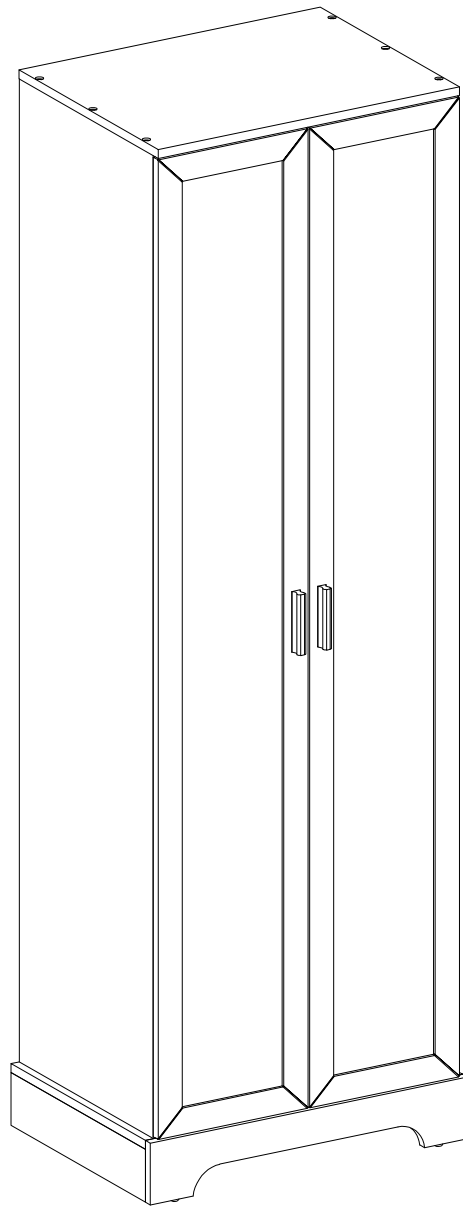


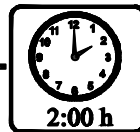
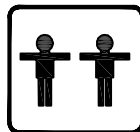
# ASSEMBLY INSTRUCTIONS

## STORAGE CABINET

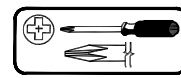


Thank you for purchasing this quality product. Be sure to check all packaging material carefully for small parts which may have come loose inside the carton during shipment. Separate, identify and count all parts and hardware. Compare with the parts list to be sure all parts are present.  
**"DO NOT TIGHTEN SCREWS UNTIL COMPLETELY ASSEMBLED"**

**\* Use of power tool to assemble this product will invalidate any claim and damage this product making unsafe !!!**  
**\* Please assemble on a clean soft surface to avoid damage.**



**Tools Required**



(Not included)

**IMPORTANT:**

**PLEASE READ INSTRUCTION BEFORE STARTING THE ASSEMBLY**

# Before Installation

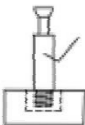
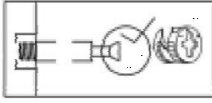
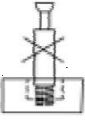
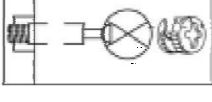
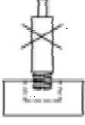
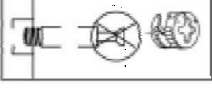
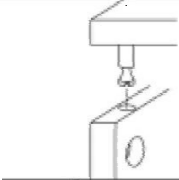
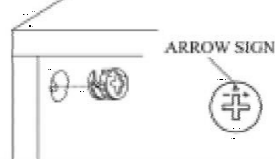
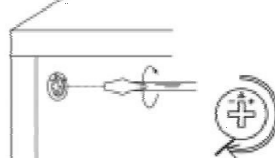
**Important - Please read these instructions fully before starting assembly**

Thank you for purchasing this quality product. Be sure to check all packing materials carefully for small parts, which may have come loose inside the carton during shipment. Identify and count all items according to the PARTS LIST and/or HARDWARE LIST shown below. Check you have all the components and tools listed on the following pages.

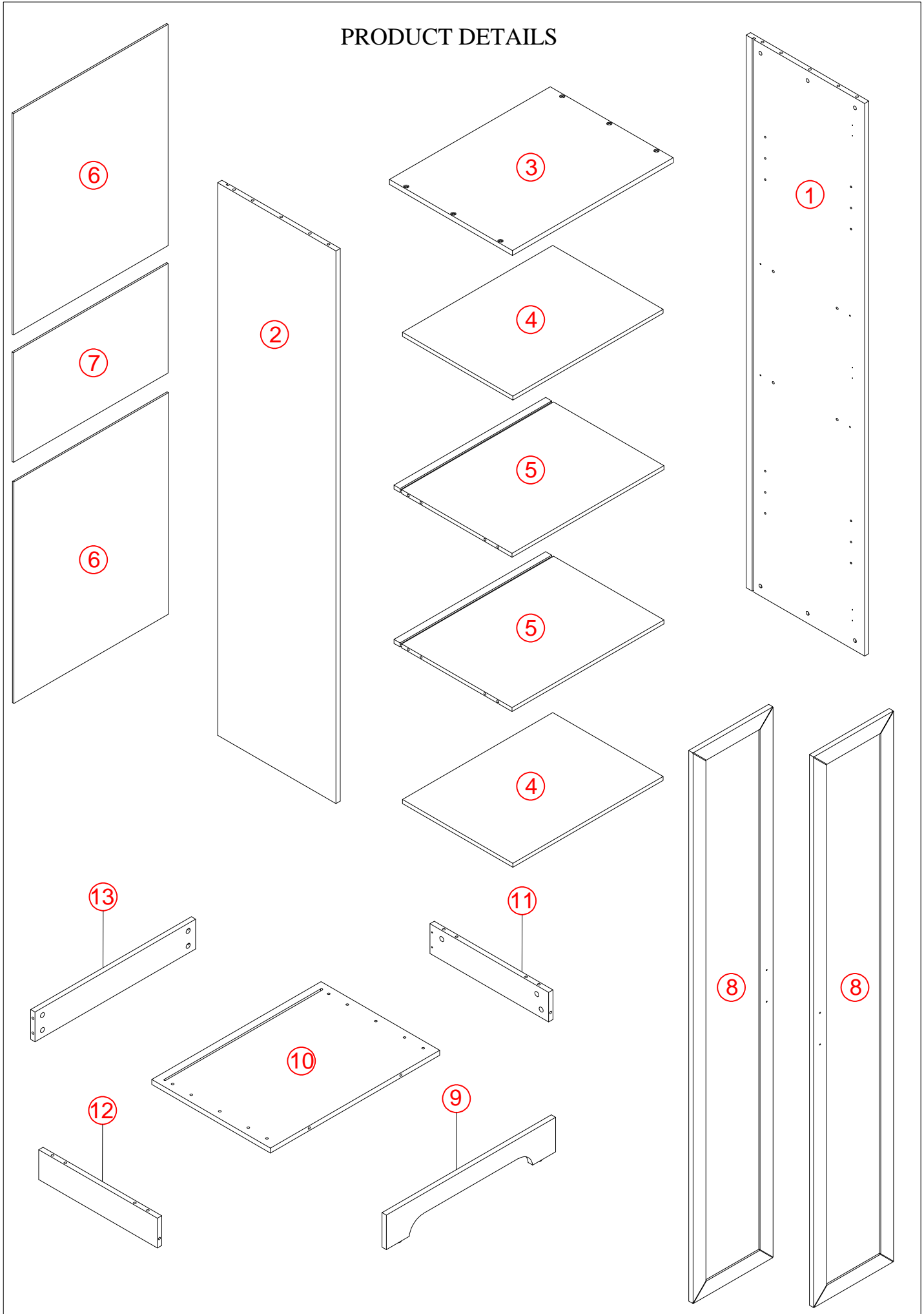
- We recommend that you assemble this product with the assistance of another person; this will make the assembly easier, and will help eliminate damage to the product or injury to persons during assembly.
- Please do not over tighten screws or bolts until the assembly is completed.
- Keep children and animal away from the work area, small parts could choke if swallowed.
- Please put all parts on a non-abrasive floor before assembly, and follow the assembly steps to assemble your newly purchased product correctly and efficiently.

**If you find that you have any trouble with assembly or missing or damaged parts please contact the seller.**




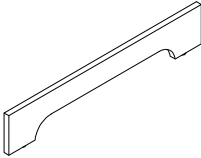
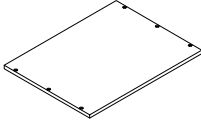
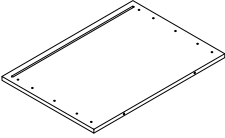
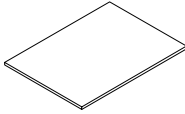
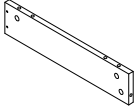
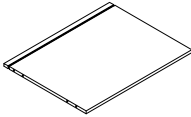
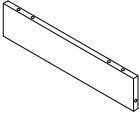
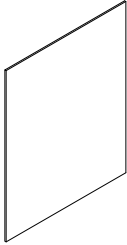
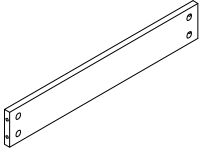
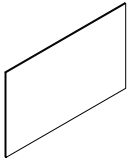
## Cam Lock Assembly Instructions

		Diagram A Insert Cam Bolt into hole as shown in diagram A.	
		Diagram B Make sure not to insert the Cam Bolt: Too deep as shown in figure B as this will cause the Cam Lock to be misaligned and unable to interlock properly.	
		Diagram C Also avoid inserting the Cam Bolt too close to the surface of the hole as shown in figure C, as this will cause the Cam Lock to be too loose, and not interlock properly.	
			Connect the panels together.
			ARROW SIGN Insert the Cam Lock so the side opening fits over the head of the Cam Bolt.
			To tighten the Cam Lock, turn it clockwise on half a turn with a flat screwdriver. <i>*Do not use an automatic screwdriver as it may bend or break if too much power is imposed.</i>



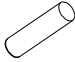
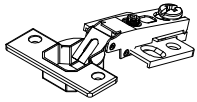



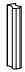



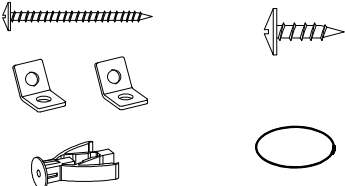
# PRODUCT DETAILS



## PARTS LIST

①	LEFT HIP BOARD		1PC	⑧	RIGHT DOOR PANEL		2PCS
②	RIGHT HIP BOARD		1PC	⑨	FRONT BAR FOOT BASE		1PC
③	ROOF BOARD		1PC	⑩	BOTTOM BOARD		1PC
④	ADJUSTABLE SHELVES		2PCS	⑪	RIGHT HOOD BASE		1PC
⑤	FIXED SHELF		2PCS	⑫	LEFT HOOD BASE		1PC
⑥	BACK BOARD 1		2PCS	⑬	BAR REAR FOOT BASE		1PC
⑦	BACK BOARD 2		1PC				

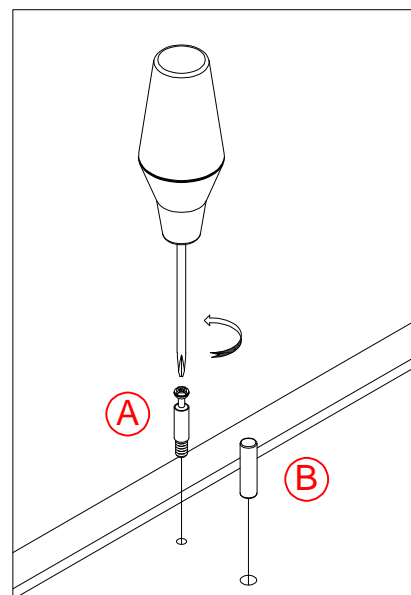
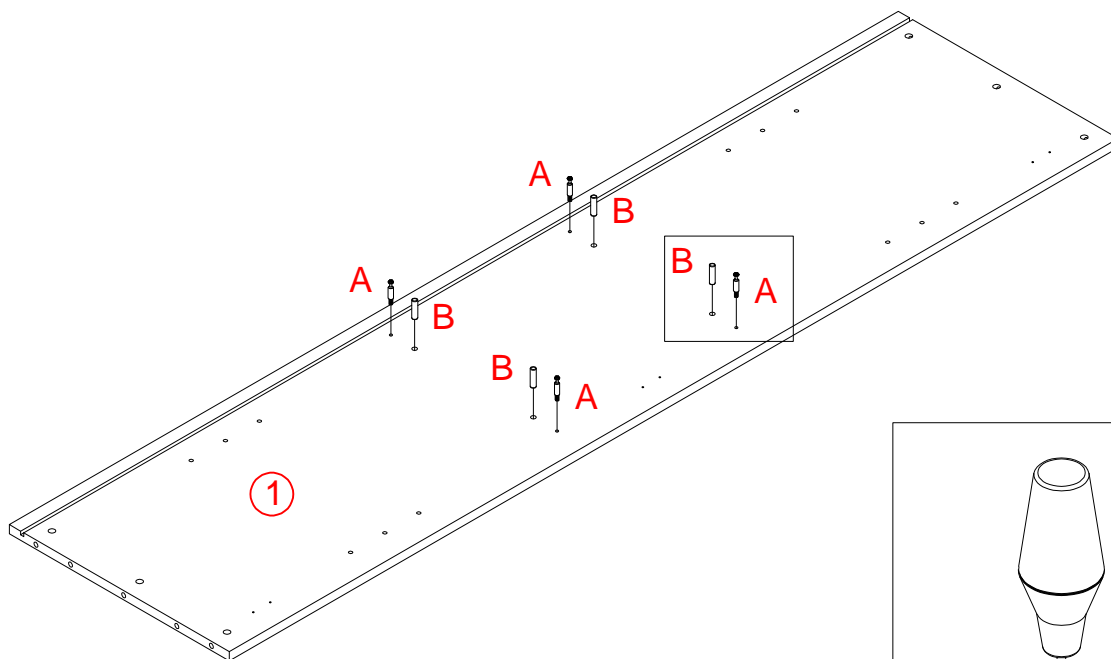
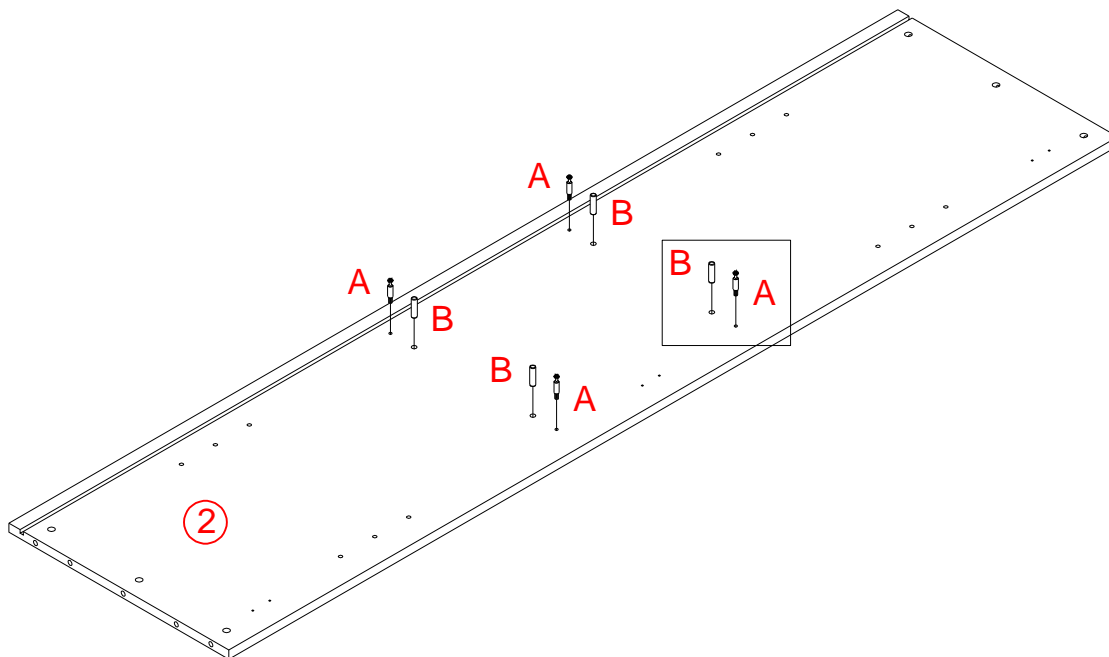
## HARDWARE LIST


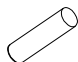
Ⓐ	Ø5*35MM		20PCS	Ⓒ	3.5*10MM		8PCS
Ⓑ	Ø 8 * 30MM		20PCS	Ⓓ	Ø 35		6PCS
Ⓒ	Ø 15*10MM		20PCS	Ⓔ	3.5*15MM		36PCS
Ⓓ	M6*50MM		12PCS	Ⓕ	L103MM		2PCS
Ⓔ	L58MM		1PC	Ⓖ	M4*20MM		4PCS
Ⓕ	L15MM		8PCS	Ⓖ			2 SET

ASSEMBLY TOOLS REQUIRED (NOT INCLUDED)

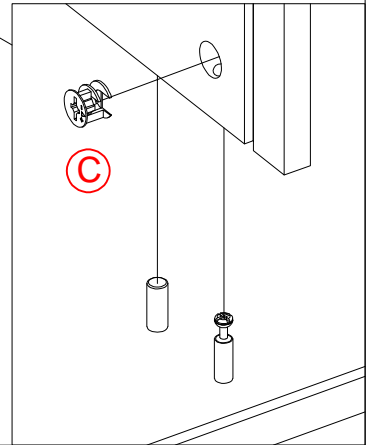
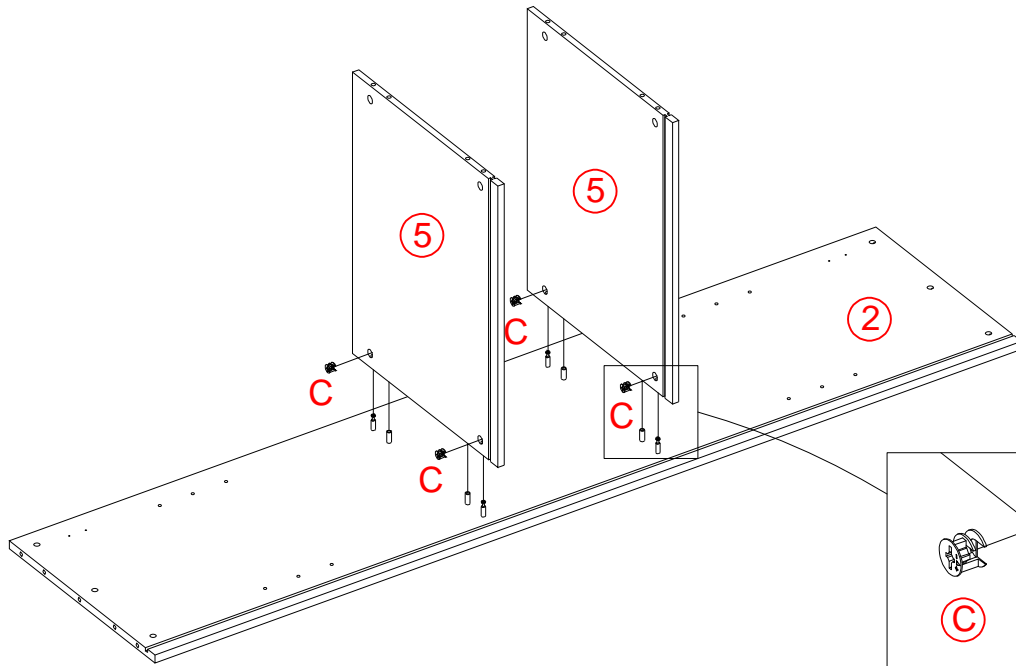


STEP 1



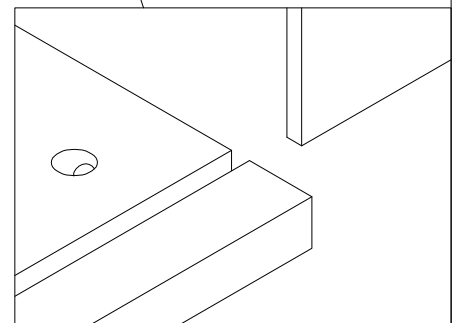
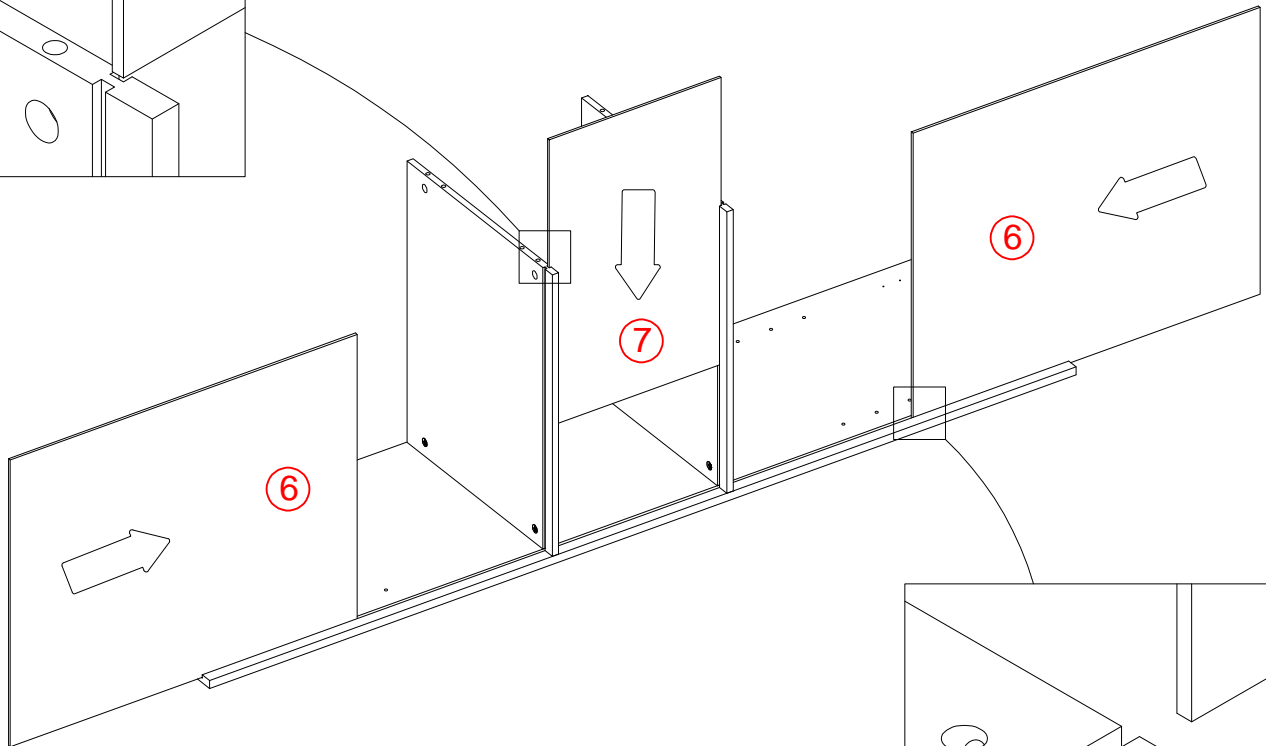
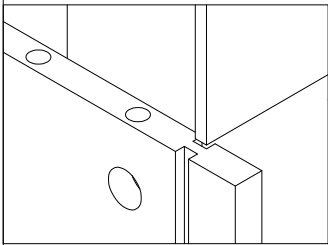
<p>(A)</p>	<p>Ø5*35MM</p>	 <p>8PCS</p>	<p>(B)</p>	<p>Ø 8 * 30MM</p>	 <p>8PCS</p>
------------	----------------	---	------------	-------------------	---

STEP 2

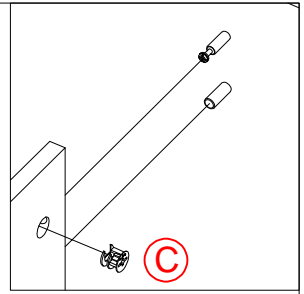
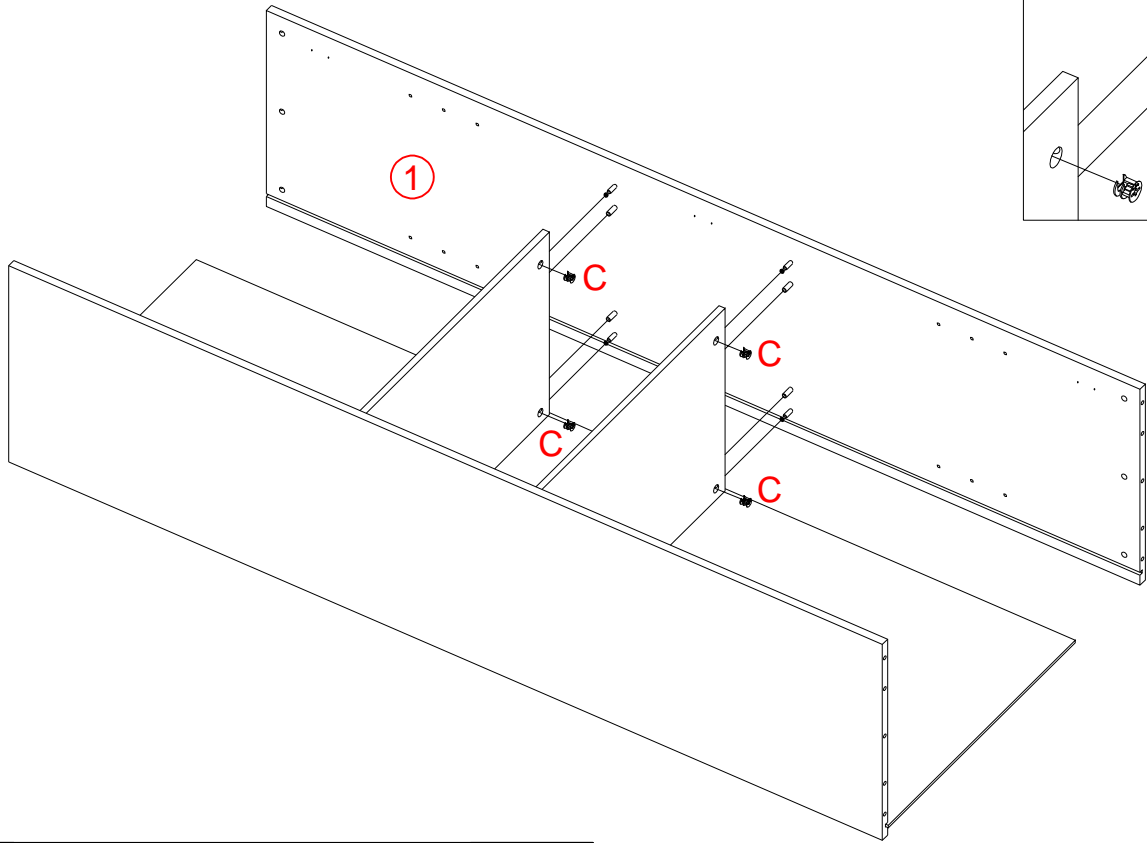


C	Ø 15*10MM		4PCS
---	-----------	--	------

STEP 3

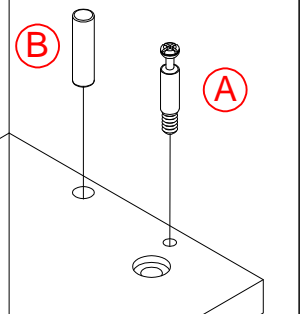
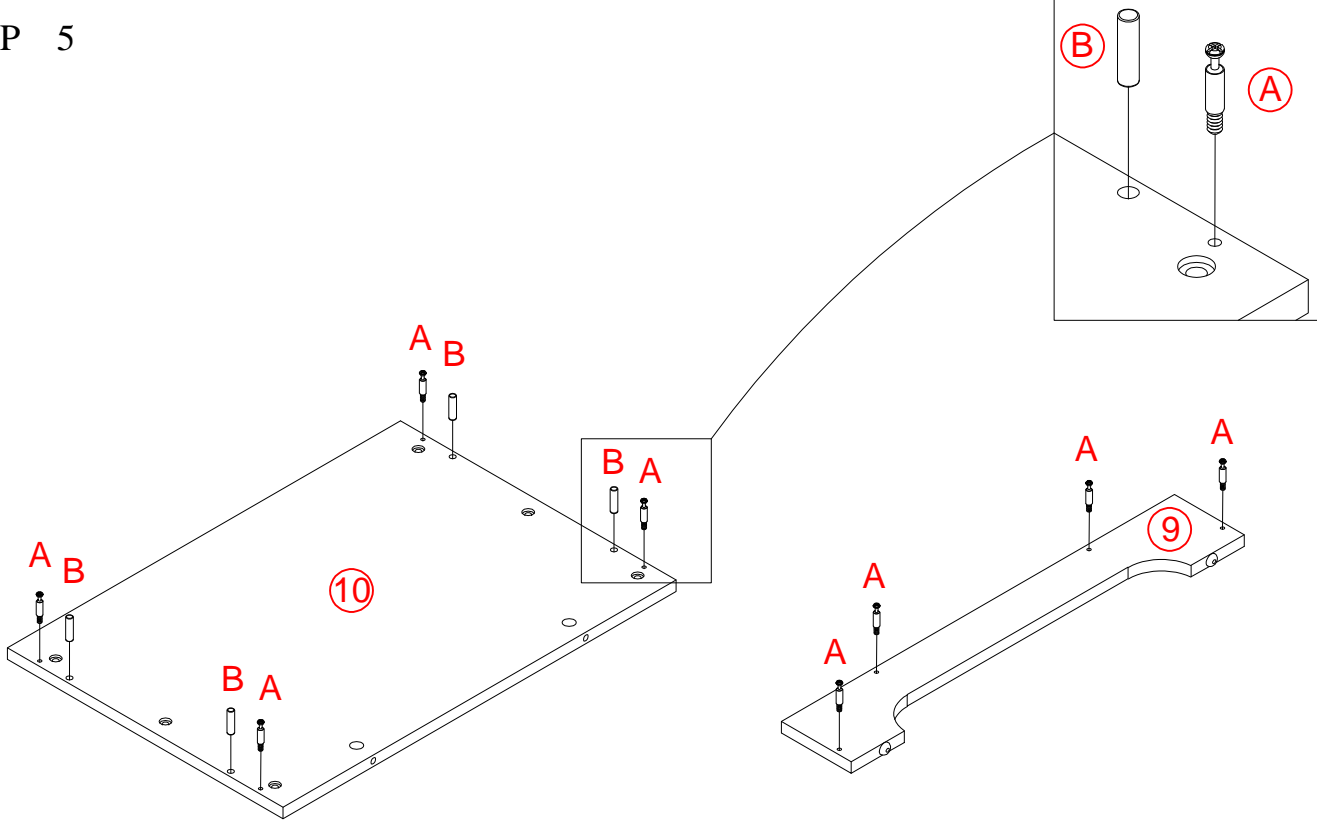



STEP 4



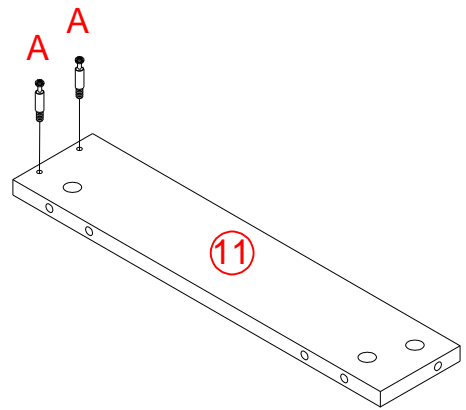
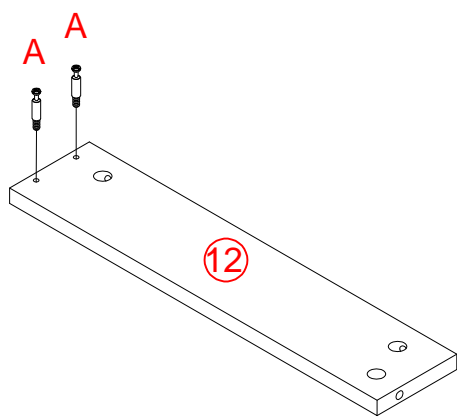
	Ø 15*10MM		4PCS
---	-----------	---	------


STEP 5



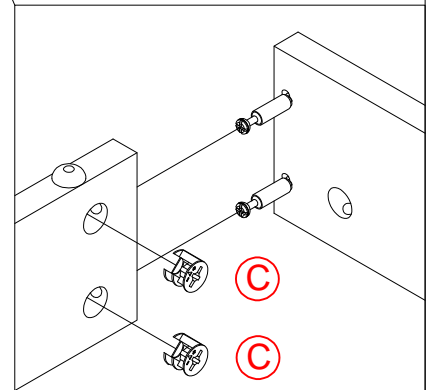
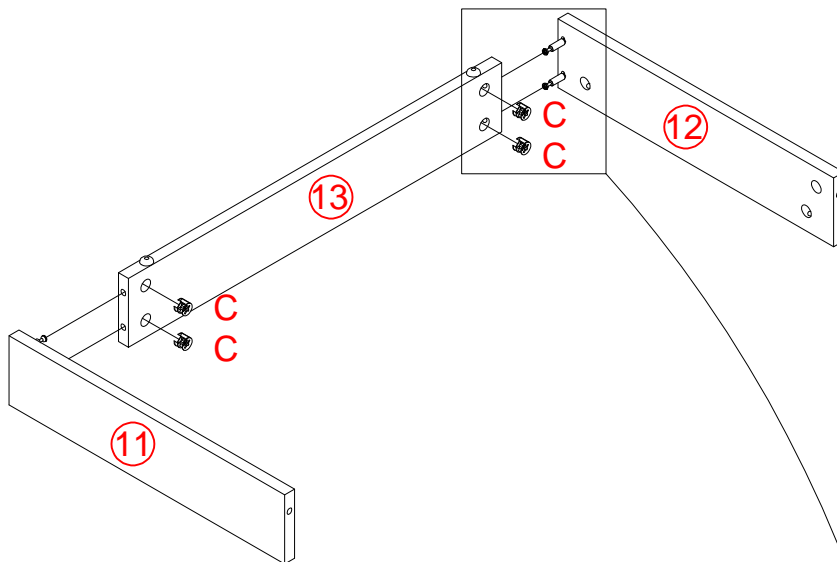
	Ø5*35MM		8PCS		Ø 8 * 30MM		4PCS
---	---------	---	------	---	------------	---	------

STEP 6



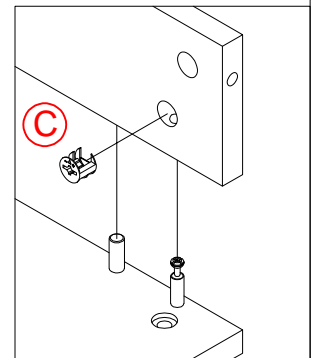
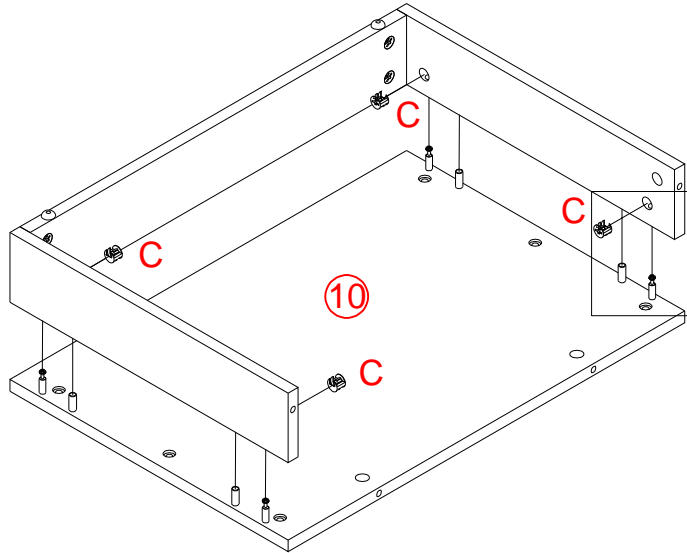
A	Ø5*35MM	 4PCS
---	---------	--

STEP 7



C	Ø 15*10MM		4PCS
---	-----------	---	------

STEP 8



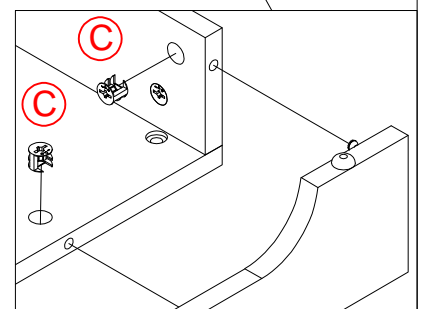
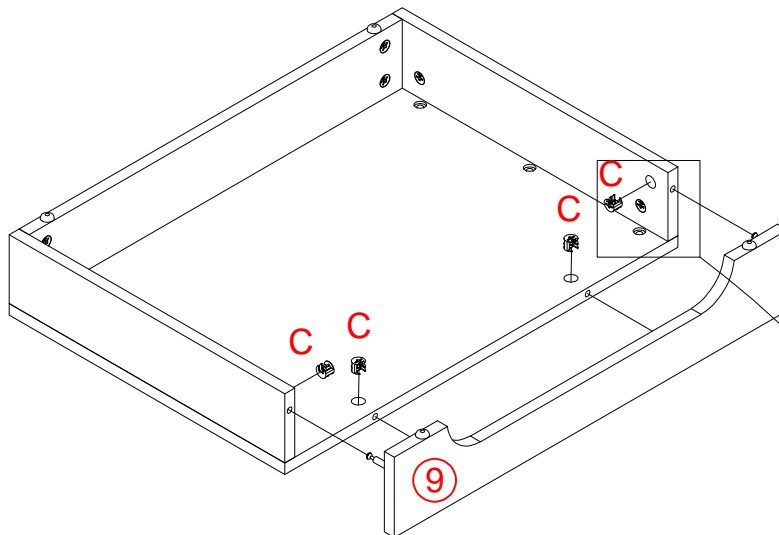
Ⓒ

Ø 15\*10MM



4PCS

STEP 9



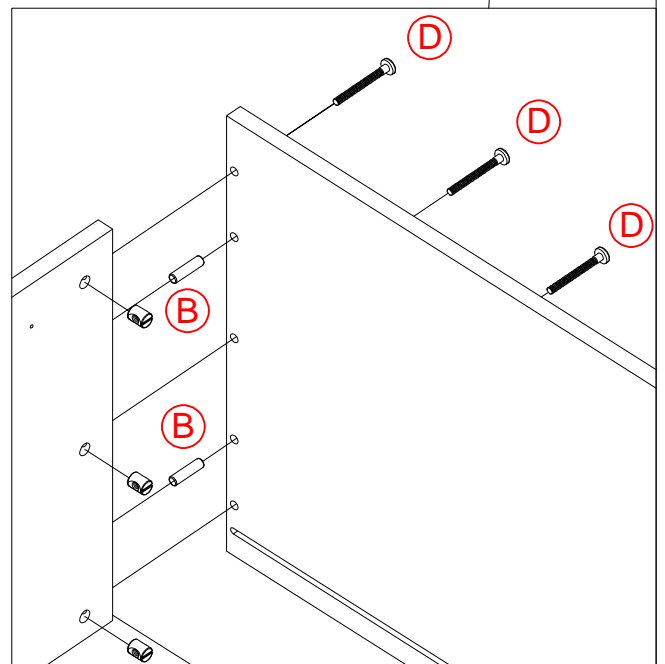
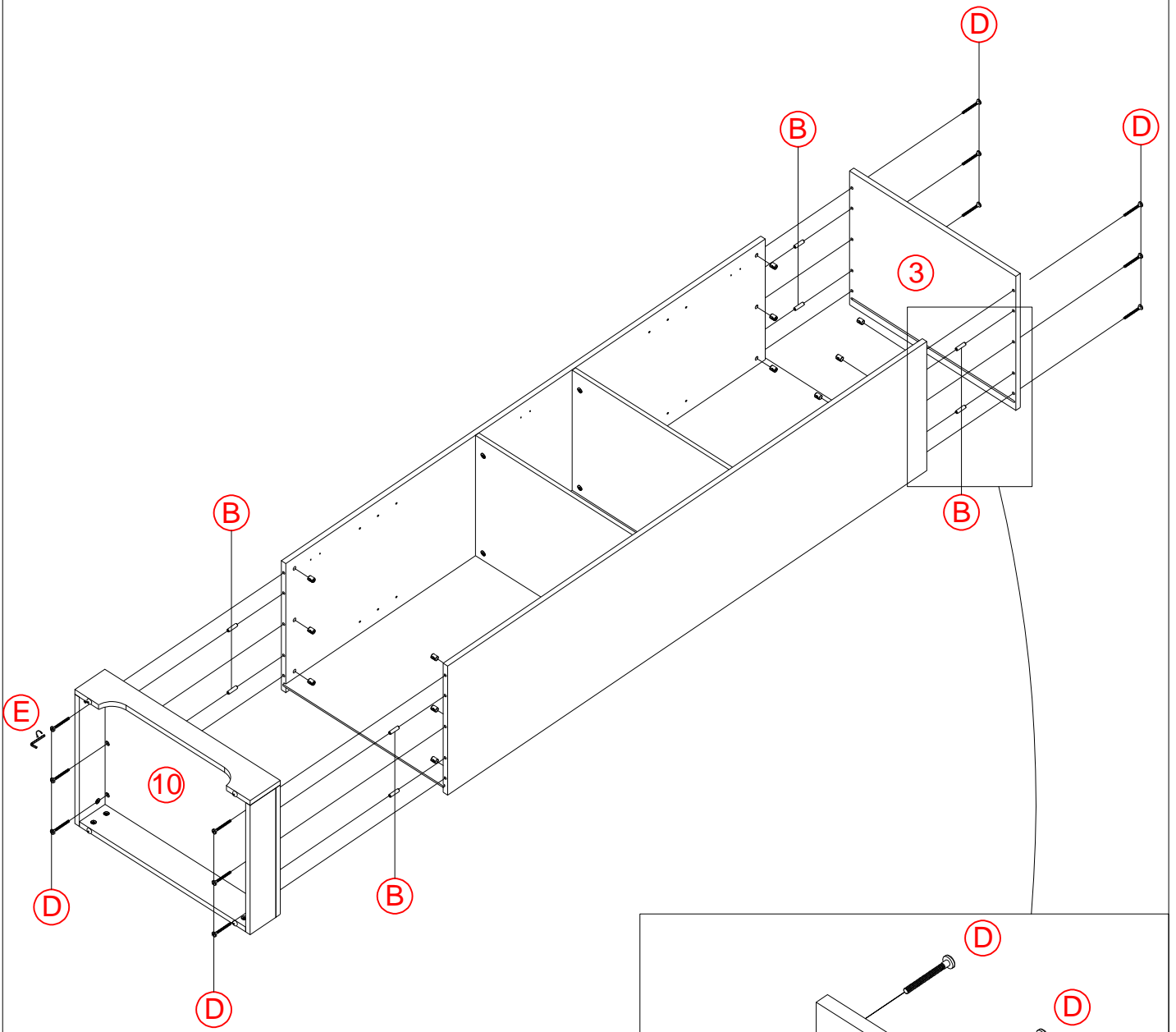
Ⓒ



Ø 15\*10MM



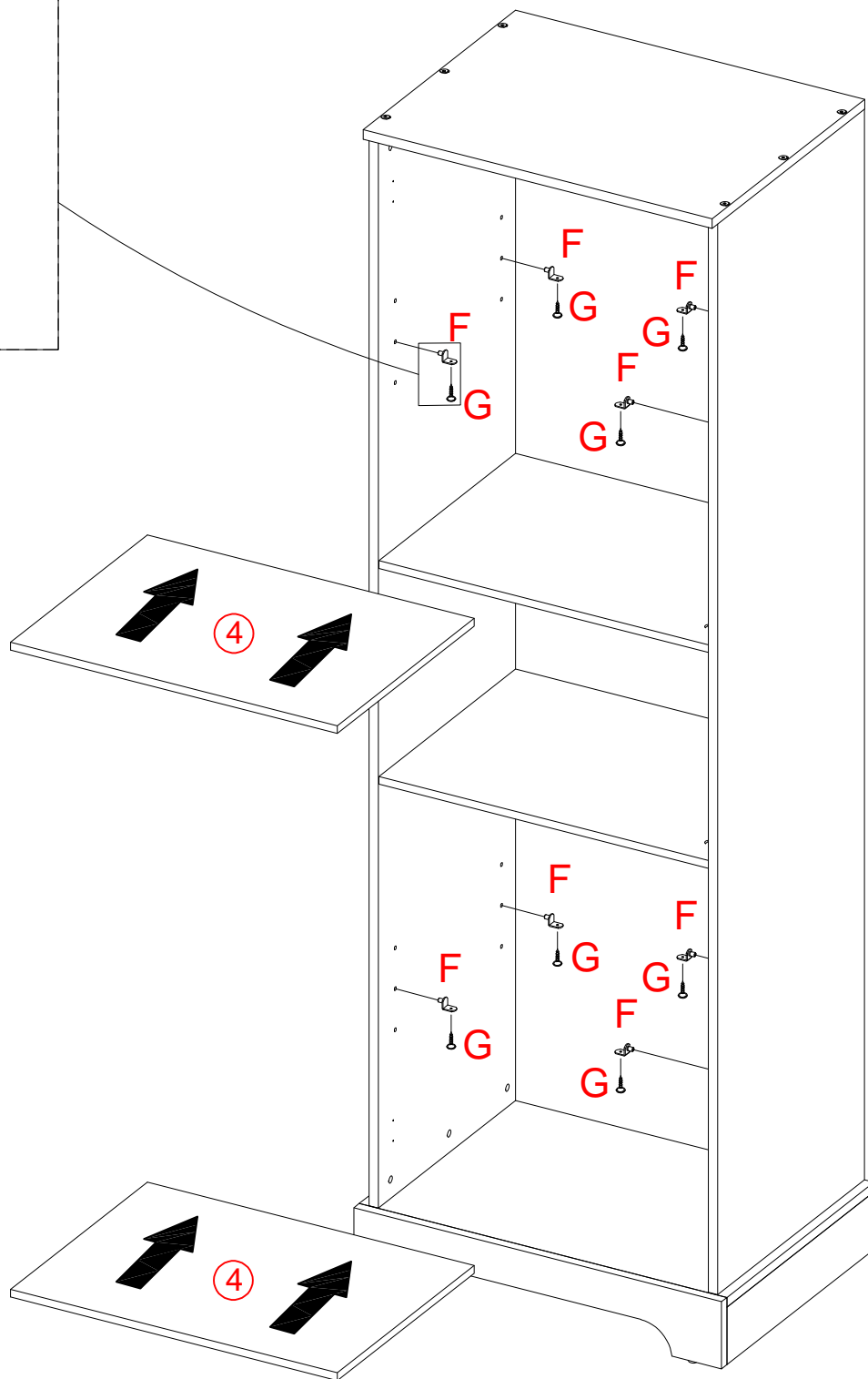
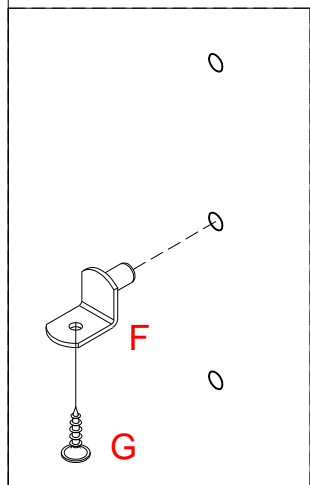
4PCS





STEP 10



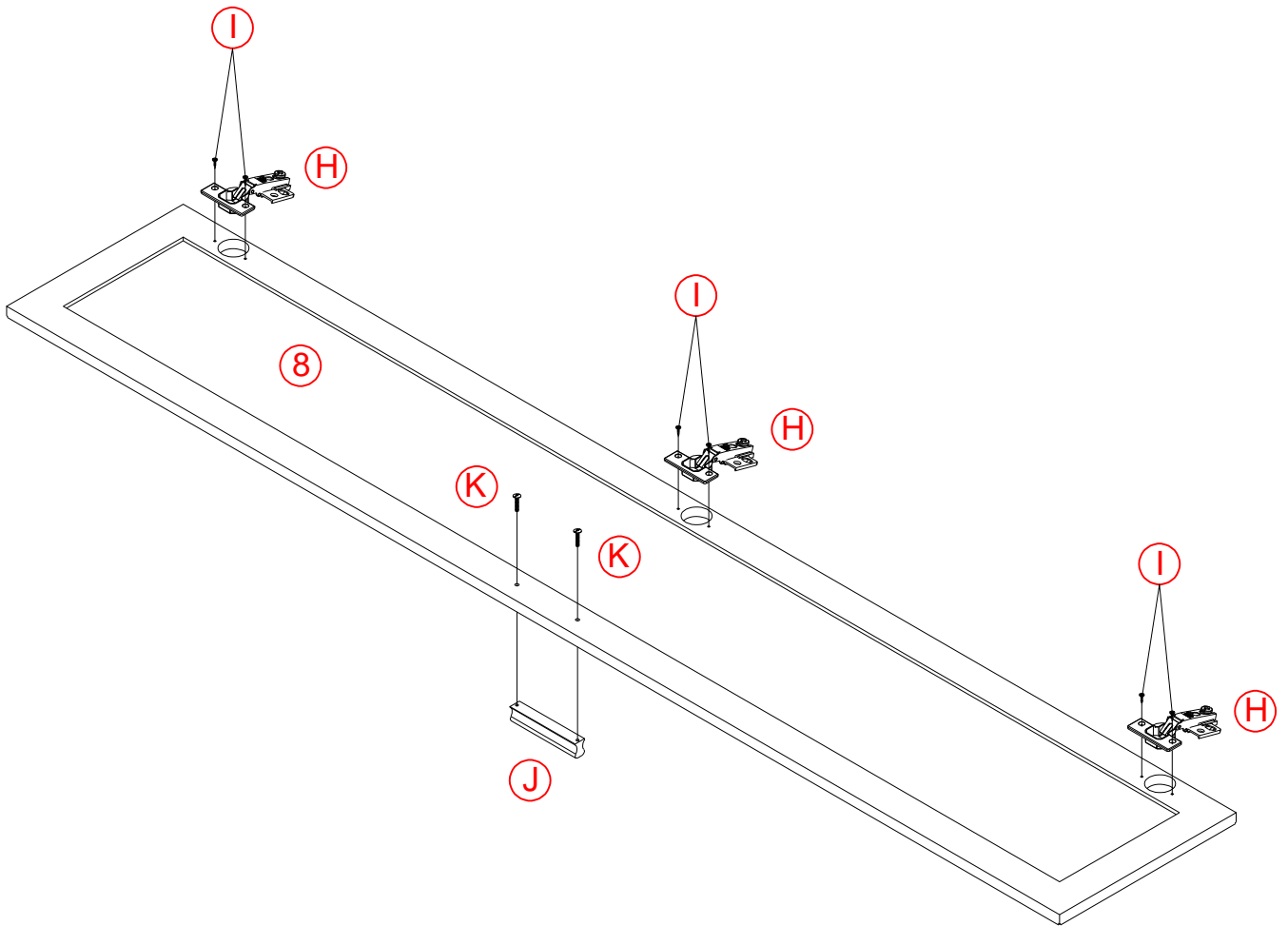
<p>Ⓔ</p>	<p>L58MM</p>		<p>1PC</p>			
<p>Ⓓ</p>	<p>M6*50MM</p>		<p>12PCS</p>	<p>Ⓑ</p>	<p>Ø 8 * 30MM</p>	<p>8PCS</p>

STEP 11

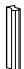

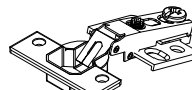



 (F)	L15MM		8PCS	 (G)	3.5*10MM		8PCS
---	-------	---	------	---	----------	---	------

STEP 12

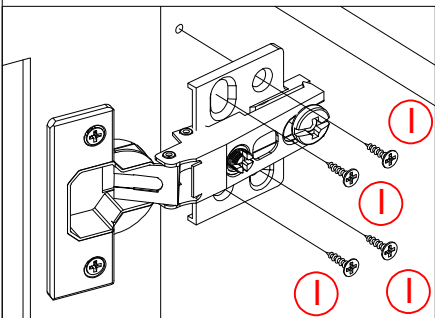
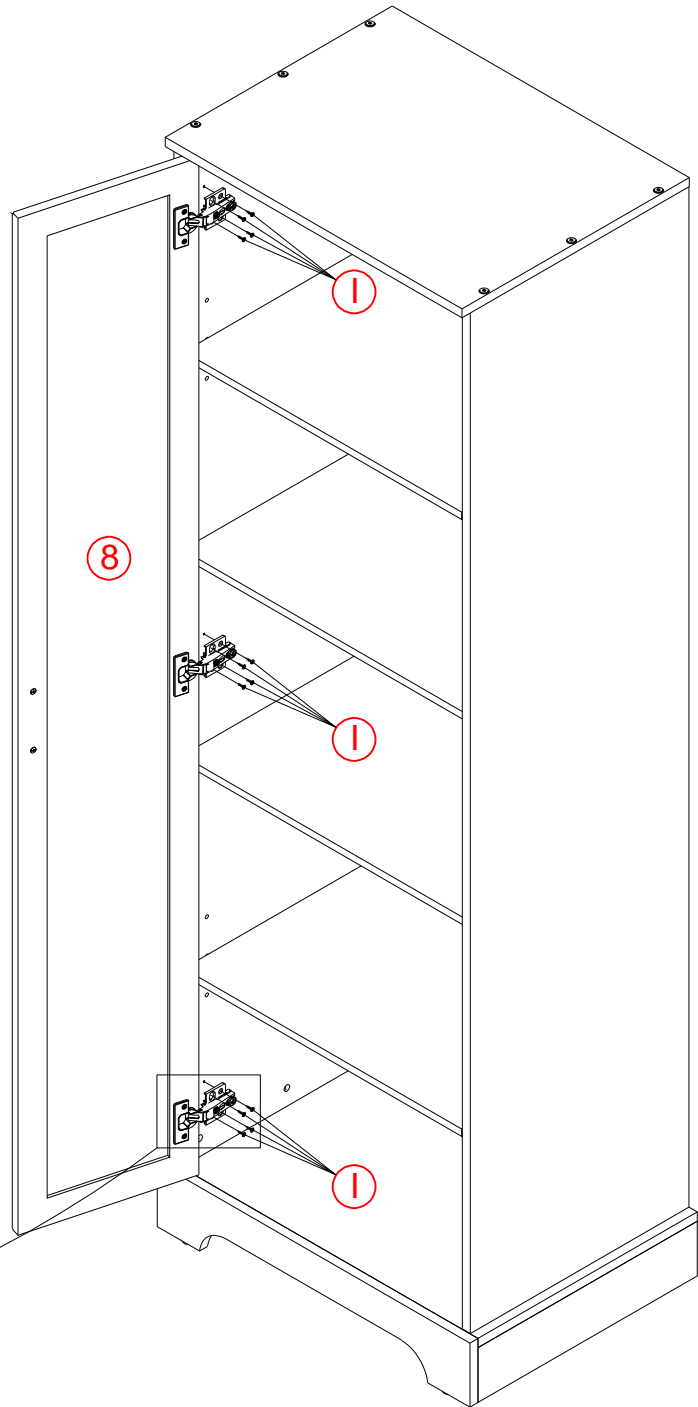
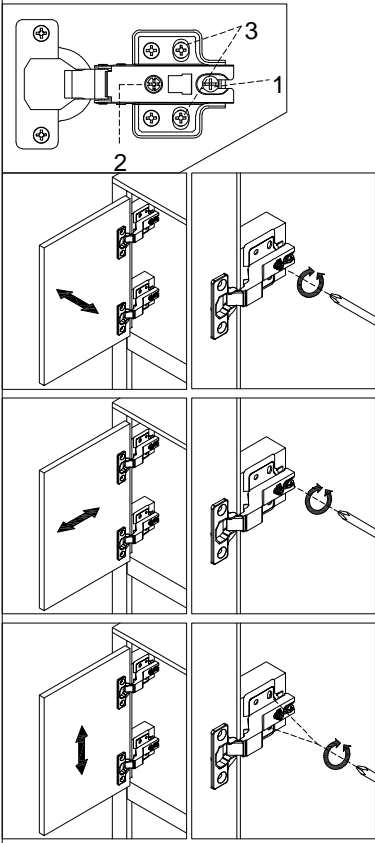


X2

<p>(J)</p>	<p>L103MM</p> 	<p>2PCS</p>	<p>(K)</p>	<p>M4*20MM</p> 	<p>4PCS</p>
<p>(H)</p>	<p>Ø 35</p> 	<p>6PCS</p>	<p>(I)</p>	<p>3.5*15MM</p> 	<p>12PCS</p>

# STEP 13

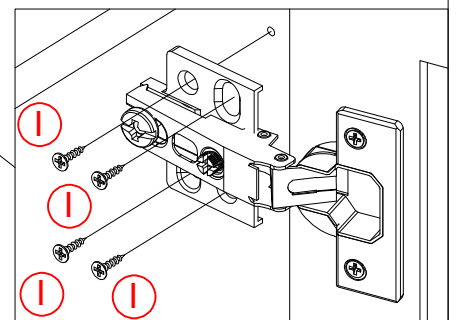
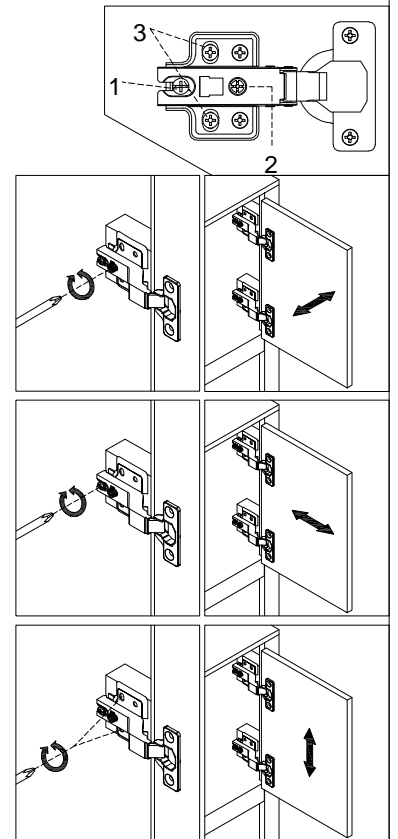
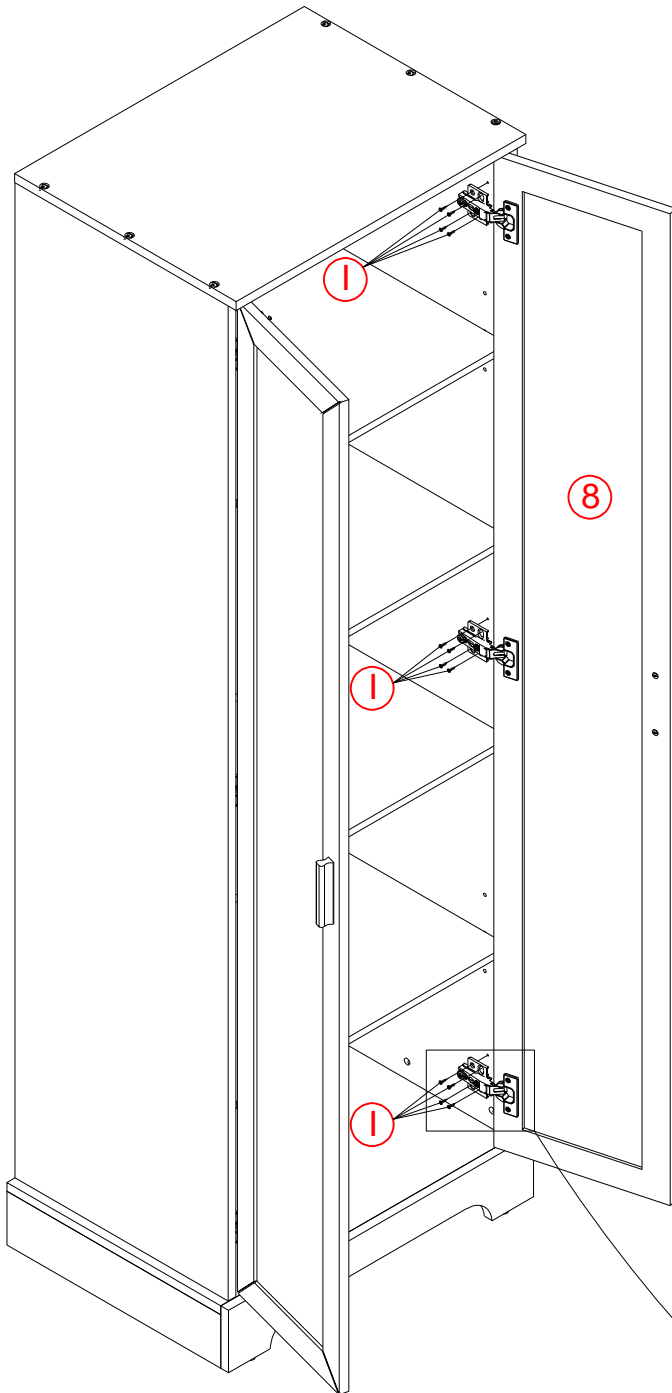
Three-way adjustable hinge for perfectly aligned doors  
 1. TO ADJUST DOOR FORWARD OR BACKWARD.  
 2. TO ADJUST DOOR TO RIGHT OR TO LEFT.  
 3. TO ADJUST DOOR UP OR DOWN.



①	3.5*15MM		12PCS
---	----------	---	-------

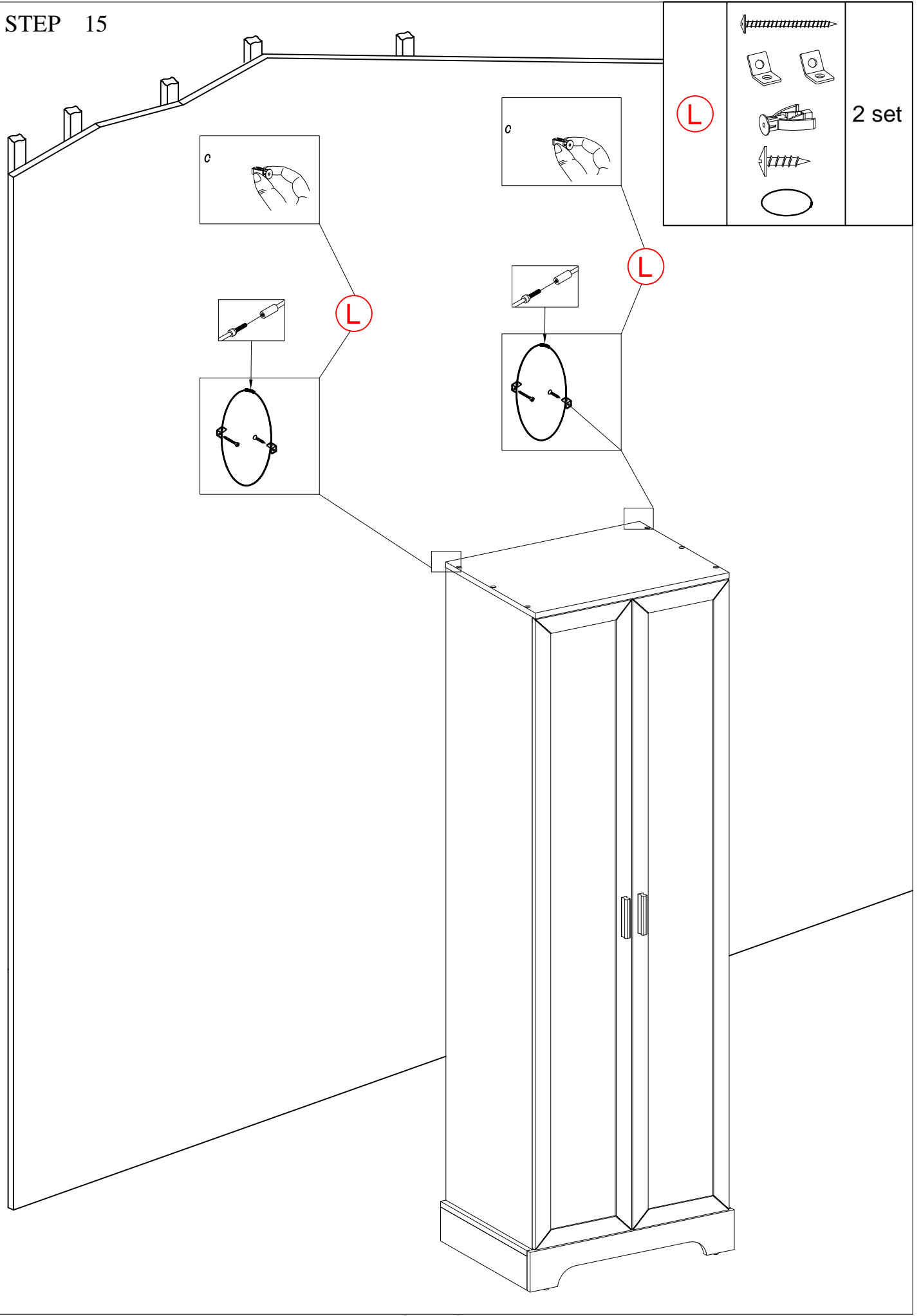
# STEP 14

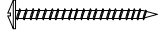

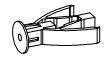
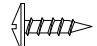

Three-way adjustable hinge for perfectly aligned doors  
 1. TO ADJUST DOOR FORWARD OR BACKWARD.  
 2. TO ADJUST DOOR TO RIGHT OR TO LEFT.  
 3. TO ADJUST DOOR UP OR DOWN.



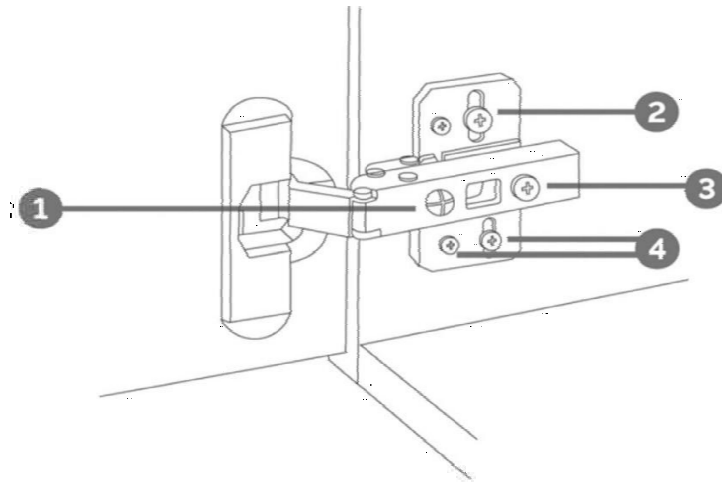
1	3.5*15MM		12PCS
---	----------	---	-------

STEP 15



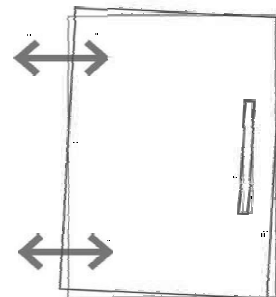
- |          |   |              |
|----------|---|--------------|
| <b>L</b> |  | <b>2 set</b> |
|          |  |              |
|          |  |              |
|          |  |              |
|          |  |              |

# HINGE ADJUSTMENTS



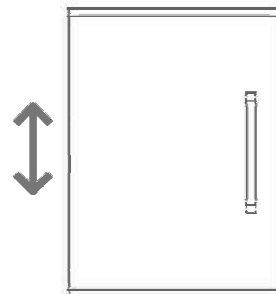
## 1 Sideways / Tilt adjustment

Turn the screw  
**clockwise** to move the door further away from  
 the side of the cabinet  
**anticlockwise** to move the door closer to the  
 side of the cabinet



## 2 4 Height adjustment

While supporting the weight of the door, turn the  
 screws  
**clockwise** to move the door up  
**anticlockwise** to move the door down



## 3 Forward and back adjustment

If the gap between the back of the door and the  
 cabinet is too small, and the door may not close  
 fully. Turn the screw  
**clockwise** to decrease the gap between the  
 door and the cabinet  
**anticlockwise** to increase the gap between the  
 door and the cabinet

