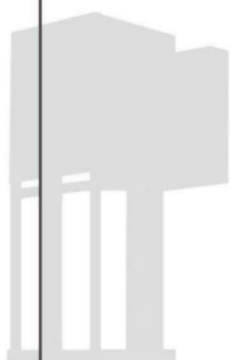




OPERATIONS MANUAL



Instruction

MADE IN CHINA



Where to Place Your Outdoor Wall Lights

If you have one light next to your entryway or garage door, then it should be 1/3 of the height of the door. If you will be placing one light on each side of the door, then the lights should be 1/4 of the height of the door. To do this, measure from the floor to the top of your door, then divide by 4 for two lights or 3 for one light. For example, if your door is 80" tall, divide by 4, and buy two lights that are each 20" tall. The lights should also be placed 66" from the floor or ground to properly illuminate the lock and handle. Lights should also be placed 6" from the edge of the door. If you choose to have only one light, make sure it is placed on the side of the door closest to the door handle.

Helpful Tip: This product is equipped with a dusk-to-dawn sensor. Please pay attention to the installation height to ensure that no objects such as eaves cover the sensor, as this may cause the light to remain on constantly.

Assembly & Installation Instructions

Dear Customer :

Thank you for choosing us!

We appreciate your business. Should you have **any questions** or encounter **any issues**, please don't hesitate to contact us. Our team is dedicated to ensuring your complete **satisfaction** with your purchase. We value your feedback, as it helps future customers in making informed decisions. We encourage you to share your experience by leaving a brief product review on the platform where you made the purchase. Once again, thank you for choosing us!

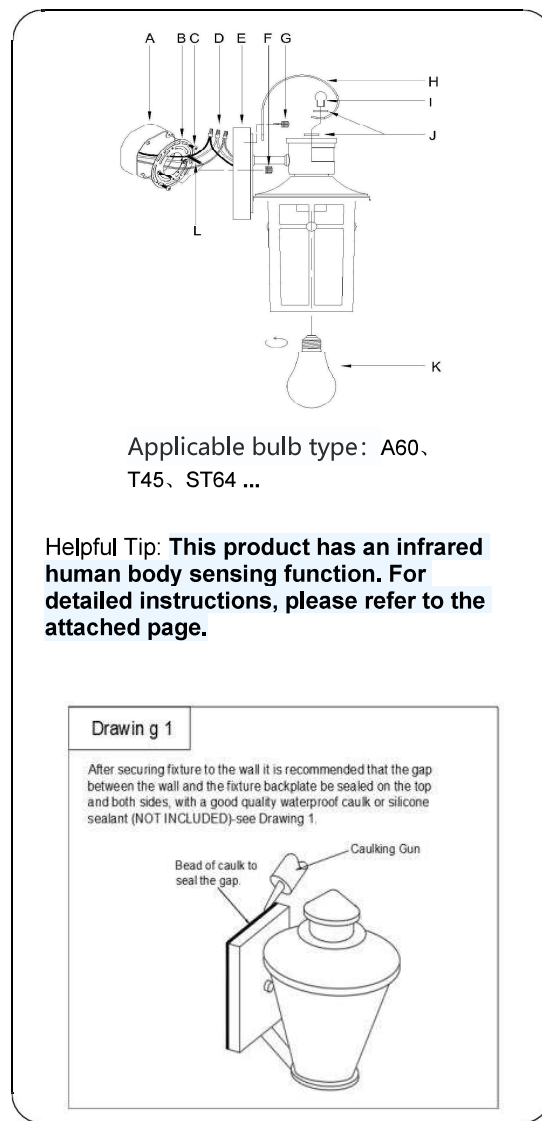
Best regards!

[Support Team]

Warning: If any special control devices are used with this fixture, follow the instructions carefully to assure full compliance with N.E.C.requirements. If there are any questions, contact a qualified electric contractor.

Warning: California Residents Proposition 65 This product contains lead, a chemical known to the state of California to cause cancer and birth defects or other reproductive harm. Do not place the product in your mouth. Wash your hands after handling this product.

Caution: It is highly recommended to get an electrician to install this light. Please make sure to turn the electricity off at the main circuit breaker before beginning installation. All glass is fragile.Use care when handling glass component(s)and/or lamp(s).



WIRE CONNECTION DIAGRAM

Wires meeting safety standards are required to connect the electrical circuit.

CAUTION: Risk of fire



Please read all instructions carefully. Before you proceed to install, make sure that the power supply is turned off and remains off until installation is completed.

PARTS INCLUDED

Code	Part Description	QTY
A	Junction box	0
B	Mounting bracket	1
C	Mounting screws1	2
D	Wire caps	3
E	Lamp body	1
F	Nuts1	2
G	Nuts2	1
H	Decorative bent strip	1
I	Round head nut	1
J	Rubber gasket	2
K	A60 Light bulb	0

Installation steps:

Step 1: Turn off the nut F from the lamp body and remove the hanging plate B ;

Step 2: Lock the hanging plate B on the junction box A with screw C;

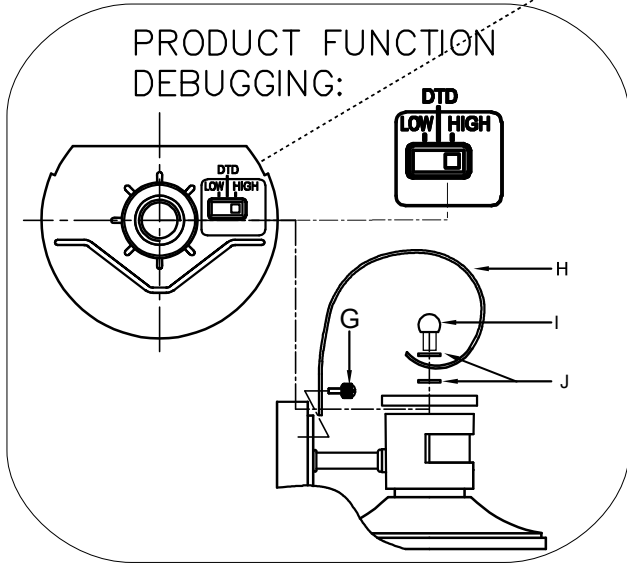
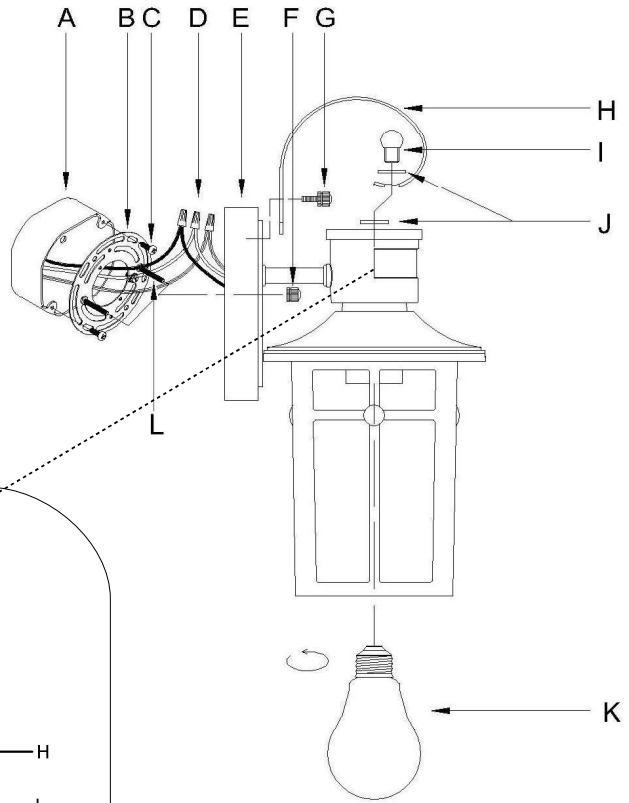
Step 3: Make the lamp body black, white and respectively with the terminal D The ground line and the input line are connected respectively;

Step 4: Lock the lamp body on the Mounting bracket of the Mounting screws L with the nut F;

Step 5: Use the nut G, round head nut I, and rubber washers J to secure the decorative bent strip H to the lamp body.

Step 6: Transfer the bulb K knob to the lamp body .

Installation completed



Motion Sensor Function and Operation



Note: Non-dimmable bulbs may cause flickering due to the lantern's variable brightness settings. For best performance and to prevent issues, use dimmable bulbs such as LED or incandescent.

MODES OF OPERATION

Mode	Works at	ON time	Shut off delay time	Explanation	
Warm-up	Day & Night	First Use or Reset	15 Sec	Power on the device by switching on the main fuse or circuit breaker. The light will illuminate immediately. Allow approximately 15 seconds for the sensor to warm up. After this period, the light will automatically enter either TEST mode or DTD (Dusk to Dawn) mode, depending on the motion sensor setting selected during installation.	
Test Mode	Day & Night	As motion existing	5 Sec	If the slide switch on motion sensor is set to 'HIGH', the light will operate at 30% brightness in test mode. Upon detecting motion, it will increase to full brightness (100%). It will maintain this brightness as long as motion continues and return to 30% brightness approximately 5 seconds after motion ceases. If the slide switch on motion sensor is set to 'LOW', the light will remain off during test mode. It will activate to full brightness (100%) when motion is detected, continuing until motion stops, then it will turn off about 5 seconds later. A red LED on the motion sensor will flash once when motion is detected. Note: Test mode lasts about 120 seconds before the light automatically enter either Auto High or Auto Low mode depending on the initial setting.	
Auto Mode	High Mode	Night only	As motion existing	2 Min	At dusk, the light automatically illuminates at a low-level brightness (30%). Upon detecting motion, it will turn to high-level brightness (100%) and remain at this level as long as motion persists. Approximately 120 seconds after motion ceases, the light will return to low-level brightness. The lights will automatically turn off at dawn. <u>This mode is preset when you receive the lantern.</u> (See FIG.1) A red LED on the motion sensor will flash once when motion is detected.
	Low Mode	Night only	As motion existing	2 Min	At dusk, the light activates at high-level brightness (100%) upon detecting motion and remains on for as long as motion continues. Approximately 120 seconds after motion ceases, the light will turn off. <u>To enable this mode, unscrew the sensor cover on the motion sensor and set the switch to 'LOW'.</u> (See FIG.1) A red LED on the motion sensor will flash once when motion is detected. The lights will automatically turn off at dawn.
DTD Mode	Night only	Dusk until Dawn	at Dawn	<u>To activate DTD (Dusk to Dawn) Mode, unscrew the sensor cover on the motion sensor and set the switch to 'DTD'.</u> (See FIG.1) In this mode, the light will automatically turn on at dusk and remain fully illuminated until dawn. To switch back to Auto High/Low mode, move the slide switch from 'DTD' to either 'LOW' or 'HIGH' position.	
Manual Override Mode	Night only	Manual override operate	8Hrs or Turn off at dawn	In Auto High/Low mode, you can activate the manual override by quickly turning the wall switch 'OFF' and then 'ON' within 2 seconds. The light will then illuminate at 100% brightness for approximately 8 hours or until it detects daylight. If the sensor detects sunlight for more than 30 seconds, it will automatically revert to Auto High/Low Mode. (See FIG.2) Note: 1. Ensure the wall switch remains in the 'ON' position at all times (including during the daytime) for the functions to operate correctly. 2. To reset the light to the warm-up period, turn the wall switch 'OFF', wait for more than 10 seconds, and then switch it back 'ON'.	

FIG.1

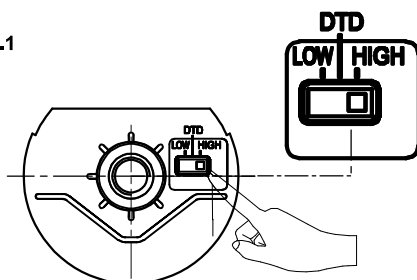
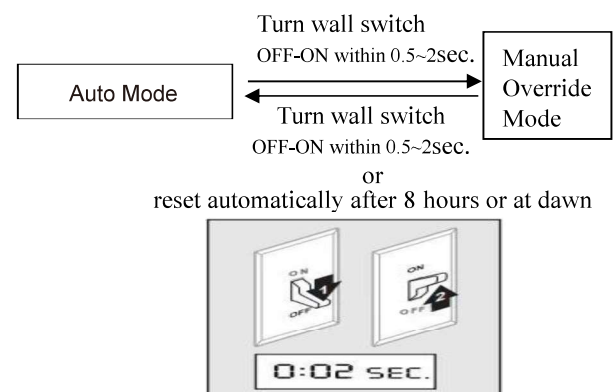
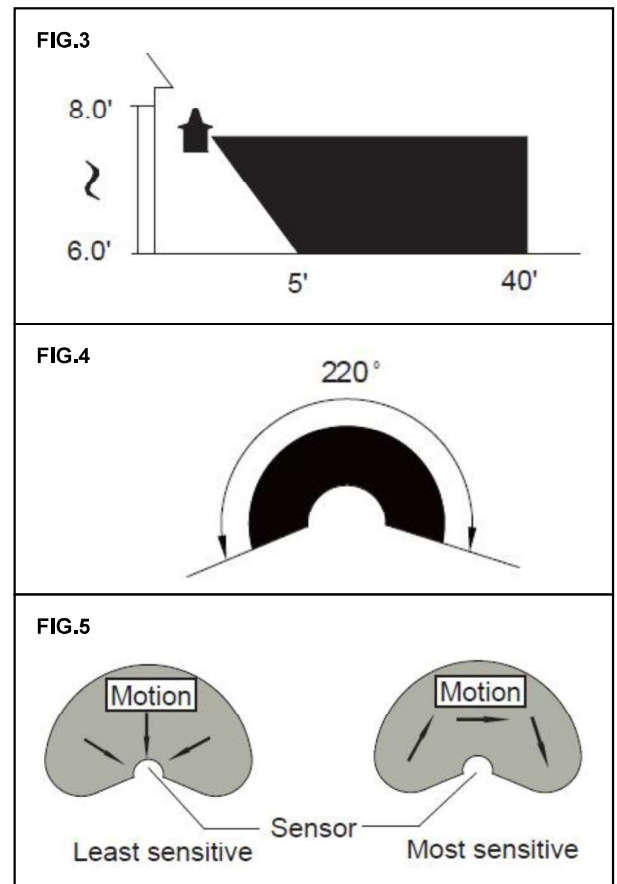


FIG.2 Manual Override Operating Diagram



NOTE:

1. The sensitivity of the motion sensor will increase as the environmental temperature gets cooler. For best performance, gently clean the lens with a soft cloth every 1 or 2 months to assure maximum sensitivity.
2. For best performance, install fixture at 6~8 feet above the ground. At such a height, the lantern will provide a detection distance of up to 40 feet at 77 degrees Fahrenheit. (See Fig.3)
3. The sensor detects across a detection range of 220 degrees. (See Fig.4)
4. The sensor will be more sensitive to motion across its detection path than motion directly towards it. (See Fig.5)
5. To reduce possible nuisances, do not mount the fixture near a heat source like an air conditioner, vent or furnace exhaust, or in a direction facing any reflecting object or other light source.
6. Using non-dimmable light bulbs may cause flickering due to the lantern's varying brightness levels. To avoid this issue and ensure optimal functionality, especially with the low-level brightness setting in Auto High mode, please use incandescent bulbs or dimmable LED bulbs, or other types of dimmable bulbs.
7. Switching between Auto Low and Auto High mode will automatically trigger Test mode again. After the Test mode, which lasts for about 120 seconds, the light will enter the previously selected mode.
8. Ensure that all small accessories are kept out of reach of children during installation.



Troubleshooting

Symptom	Possible Cause	Solution
The light is not functioning in Test Mode.	The wall switch or circuit breaker is in the 'off' position.	Turn on the switch or circuit breaker.
	The wiring may be incorrect.	Check the wire connections for any issues.
	The bulb may be broken or incompatible.	Try replacing the current bulb with a different dimmable bulb.
In Auto High mode or Auto Low mode, the lighting fixture does not turn on when motion is detected	The wall switch or circuit breaker is in the 'off' position.	Ensure power supply to the fixture by turning on the appropriate switch or circuit breaker.
	The light bulb may be burnt out.	Try testing the light bulb in a light fixture that you know is working properly.
	The Light bulb is loose.	Tighten the light bulb in its socket.
	There may be incorrect or loose wire connections.	Check the wire connections for any issues.
	Excessive sunlight is shining into the Dusk-to-Dawn sensor in the early evening.	Consider relocating the fixture away from a western-facing wall.
	Excessive light, perhaps from a nearby street lamp or another light fixture, is illuminating the Dusk-to-Dawn sensor.	Eliminate or turn off any other light sources, block any other light sources from shining onto the Dusk-to-Dawn sensor, or consider relocating the fixture.
In the Auto High mode or Auto Low mode, the lighting fixture remains on at 100% brightness continuously.	False triggering may be caused by a heat source, such as traffic on the street or sidewalk, a heater or dryer vent, an air conditioning vent, or a heated swimming pool.	Eliminate any nearby heat sources or consider relocating the fixture.
In Auto High mode or Auto Low mode, the lighting fixture turn on at 100% brightness unexpectedly.	False triggering may be caused by a heat source, such as traffic on the street or sidewalk, a heater or dryer vent, an air conditioning vent, or a heated swimming pool.	Eliminate any nearby heat sources or consider relocating the fixture.
The lighting fixture is experiencing undesired activation during daytime or premature operation in the early evening.	There may be obstructions or objects obstructing the sensor's view, as they may lead to inaccurate readings.	Remove any debris or obstacles that might interfere with the sensor's functionality, or consider relocating the fixture.
The LED bulb or fluorescent bulb may experience flickering when the lighting fixture is dimmed to the standby dimming level.	A non-dimmable bulb is installed in the lighting fixture.	Replacing the current bulb with dimmable LED bulbs, fluorescent bulbs, or incandescent bulbs specifically designed for dimming.
	Some dimmable LED bulbs or fluorescent bulbs may not be compatible or match properly with the lighting fixture.	Try using bulbs from different manufacturers or models to see if the compatibility issue is resolved.
In Dusk-to-Dawn mode or Auto High mode, the light continues to remain illuminated even after dawn.	The ambient light level is insufficiently low.	Consider relocating the fixture to an area where it can receive an ample amount of ambient light.

IMPORTANT: If the issue persists, it is advisable to consult the user manual or contact customer support for further guidance.