

# EWAN RECTANGULAR ABOVE COUNTER BASIN

Cat. No  
5-323



Back-view

Top Dimension: 19-<sup>3</sup>/<sub>4</sub>" x 17-<sup>7</sup>/<sub>8</sub>"  
 Bottom Dimension: 19-<sup>3</sup>/<sub>4</sub>" x 17-<sup>7</sup>/<sub>8</sub>"  
 Above counter height: 3-<sup>1</sup>/<sub>4</sub>"



Maintenance Kit

## Interior Dimensions:

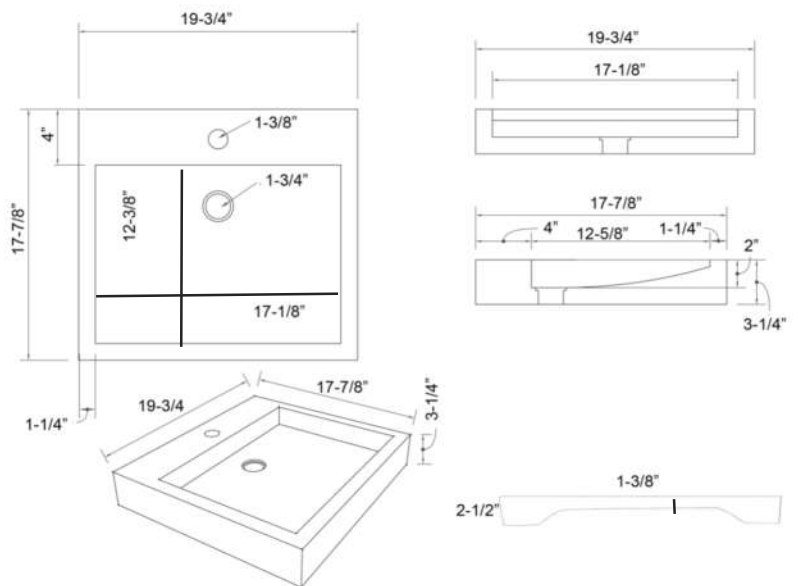
Basin Interior: 17-<sup>1</sup>/<sub>4</sub>" x 12-<sup>1</sup>/<sub>2</sub>"  
 Basin Depth: 2"

## Features:

- ▶ Seamless concrete construction
- ▶ Above counter basin
- ▶ Mold casted basin is finished by hand
- ▶ Maintenance Kit included
- ▶ Back of basin is open
- ▶ Pre-drilled single faucet hole
- ▶ 3 Layer coating provides waterproof basin that guards against cracking or scratching
- ▶ <sup>1</sup>/<sub>4</sub>" Rim
- ▶ No overflow
- ▶ Available in 6 colors
- ▶ To be used with Grid Drain # **5601** or Umbrella Drain #**UD701** (Not included)

## Colors:

- CGC** Copper Green
- CDG** Dusk Gray
- CVB** Vintage Brown
- CDRG** Dark Gray
- CLG** Light Gray
- CTB** Terrazzo Black



Dimensions of fixture are nominal and may vary slightly. Dimensions and specifications subject to change without notice.