
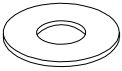
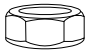
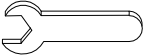
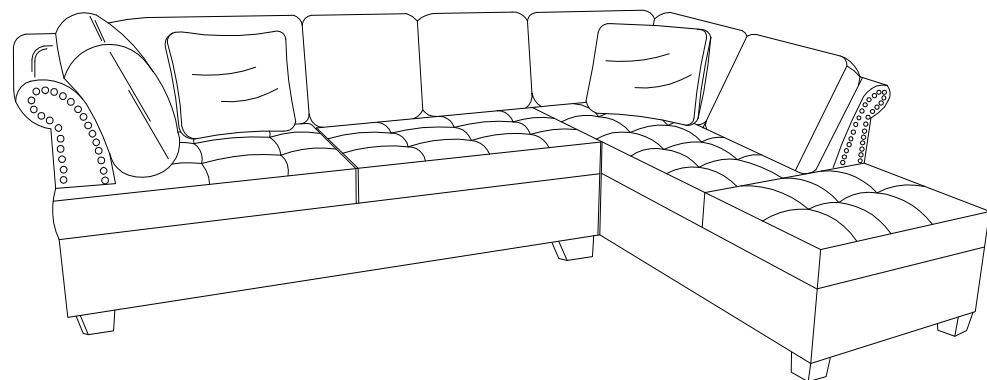


ASSEMBLY INSTRUCTIONS

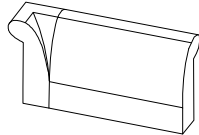
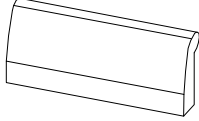
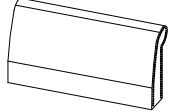

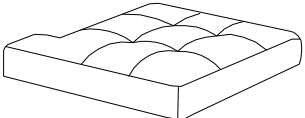

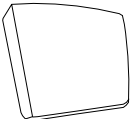
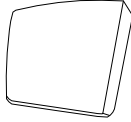
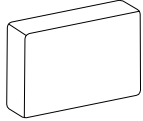
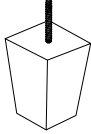

ITEM NO: S5151 AVA

HARDWARE LAF SOFA & CHAISE

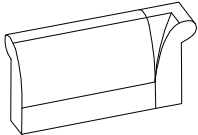
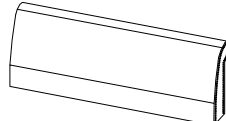


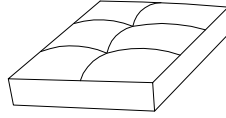
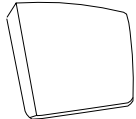

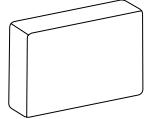
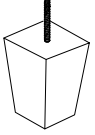

NO	DESCRIPTION	SKETCH	SIZE	QTY
1	THREAD BOLT		5/16 X 80mm	10pcs
2	FLAT WASHER		5/16	10pcs
3	HEXNUT		5/16	10pcs
4	WRENCH		12 X 90	1 PCS



PARTS LIST LAF SOFA

NO	DESCRIPTION	DRAWING	QTY
A1	Backrest		1
A2	Backrest		1
A3	Backrest		1
A4	Frame		1
A5	Seat cushion		1
A6	Seat cushion		1
A7	Back cushion		1
A8	Back cushion		1
A9	Back cushion		2
A10	Leg		4
A11	Pillow		1

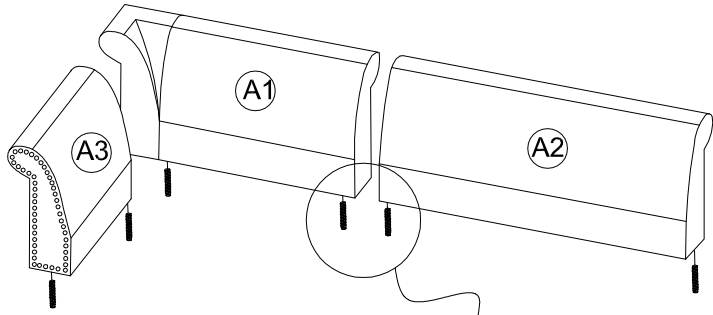
PARTS LIST CHAISE

NO	DESCRIPTION	DRAWING	QTY
B1	Backrest		1
B2	Backrest		1
B3	Frame		1
B4	Seat cushion		1
B5	Seat cushion		1
B6	Seat cushion		1
B7	Seat cushion		1
A9	Back cushion		1
A10	Leg		4
A11	Pillow		1

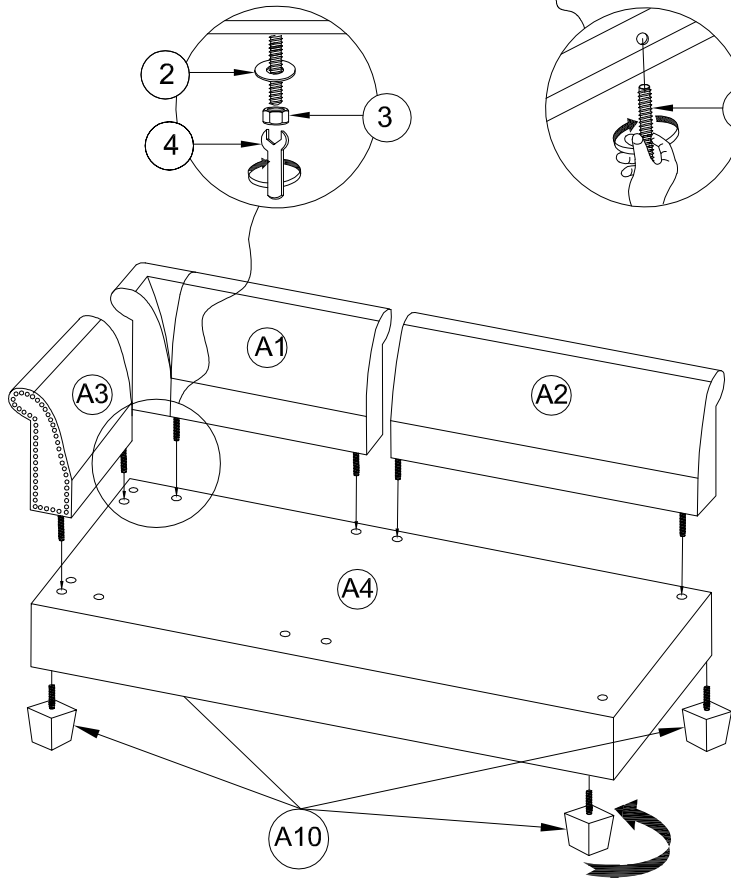
ASSEMBLY INSTRUCTIONS TYPE 1

LAF

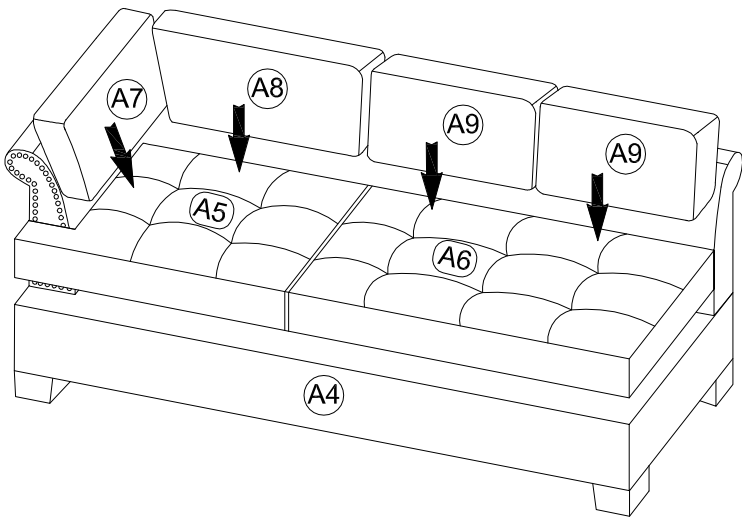
STEP 1



STEP 2

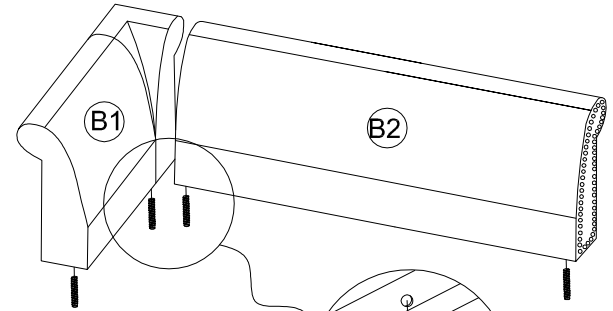


STEP 3

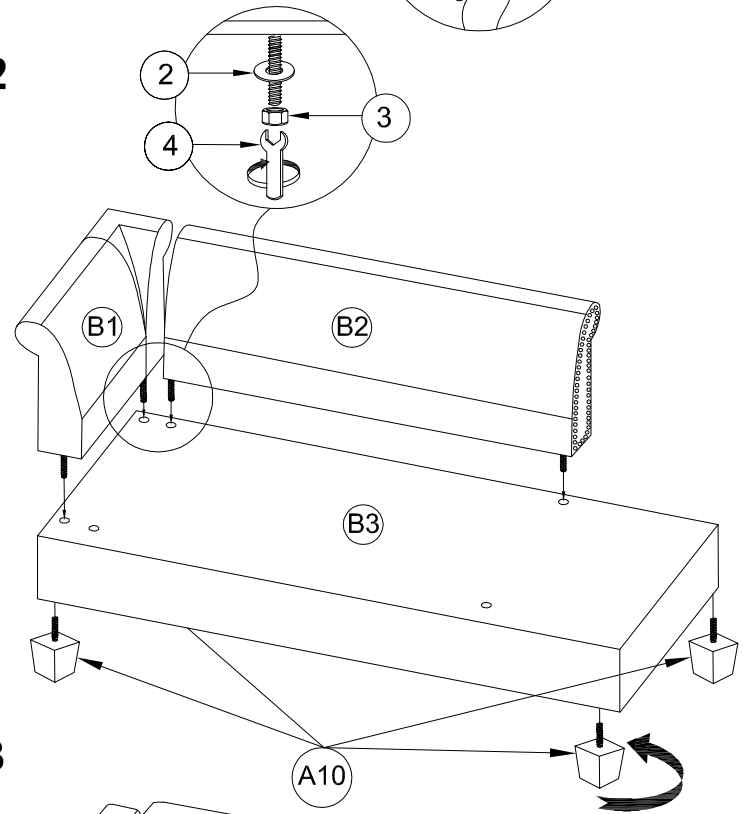


CHAISE

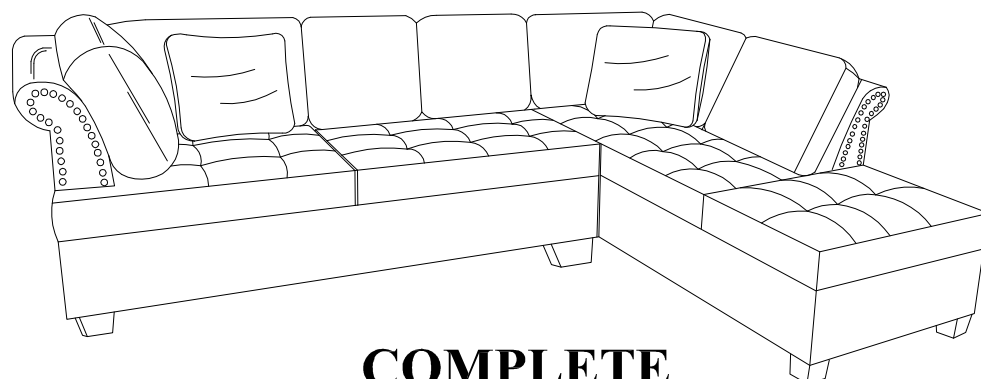
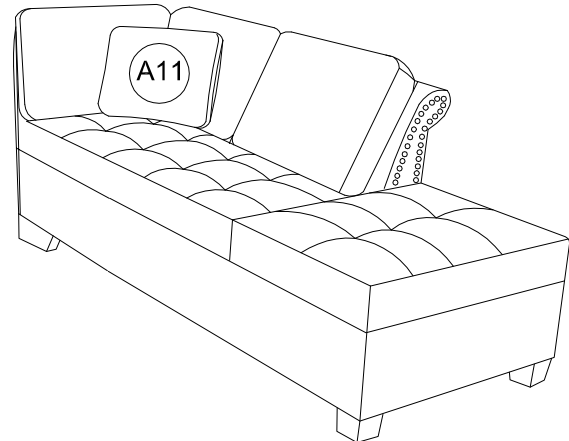
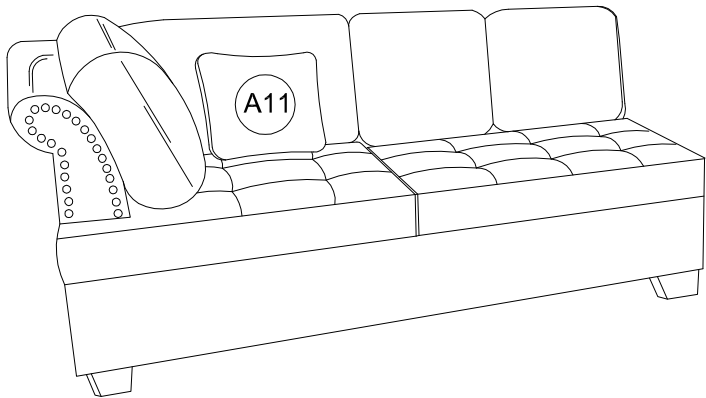
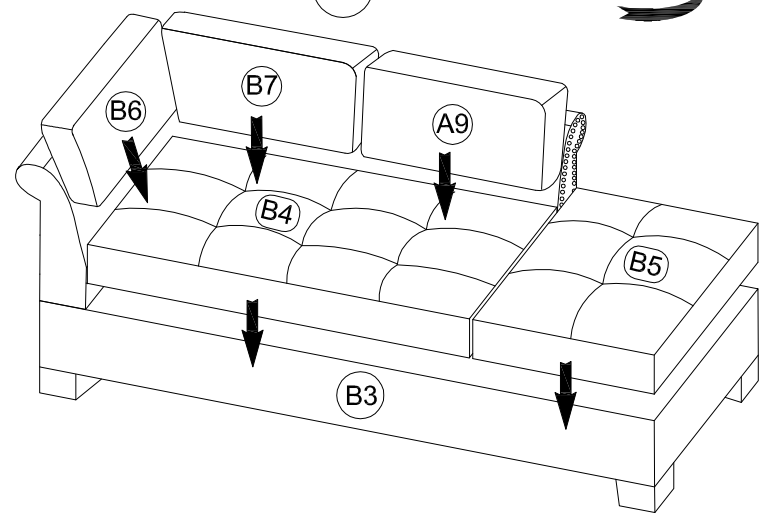
STEP 1



STEP 2



STEP 3

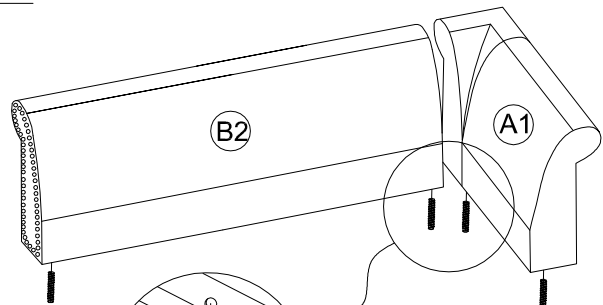


COMPLETE

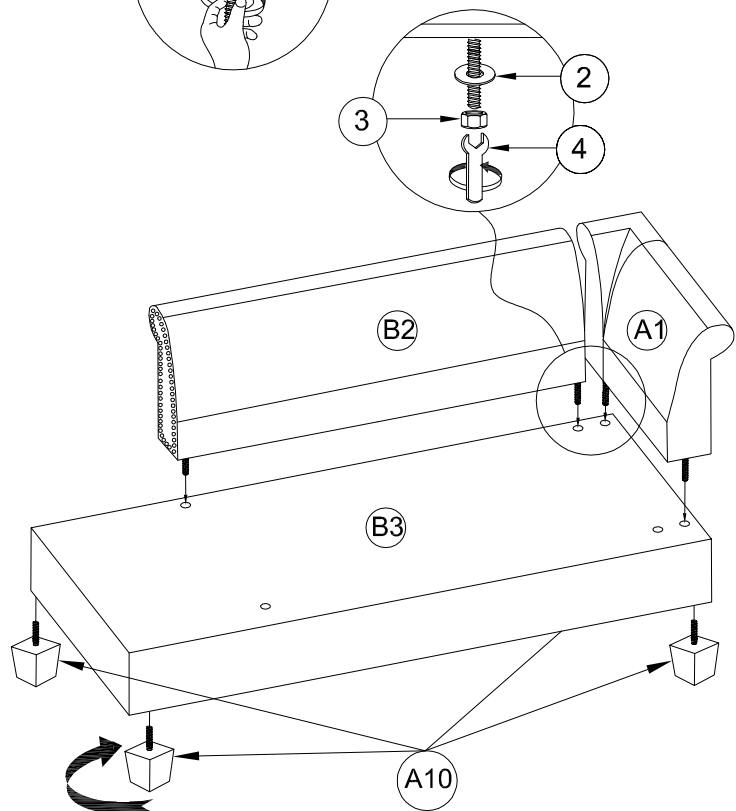
ASSEMBLY INSTRUCTIONS TYPE 2

CHAISE

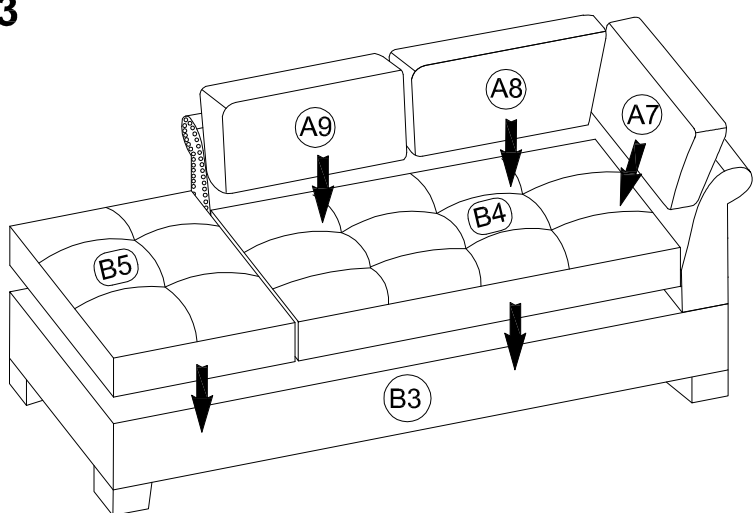
STEP 1



STEP 2

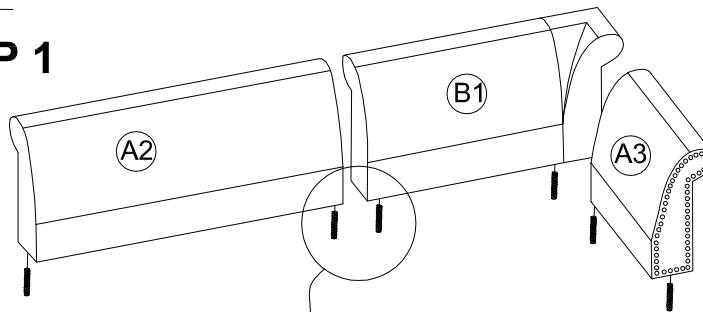


STEP 3

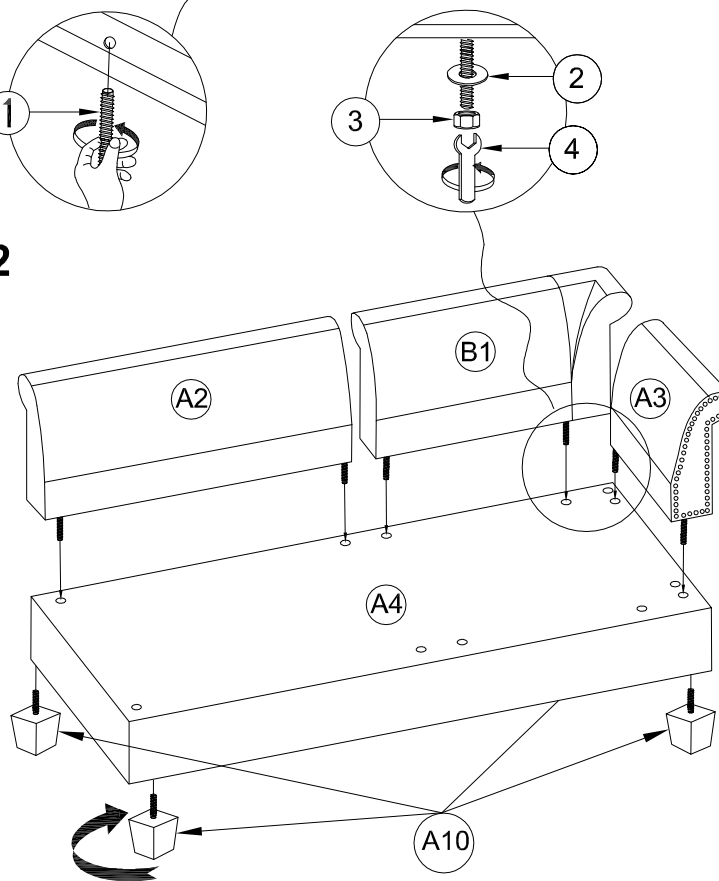


LAF

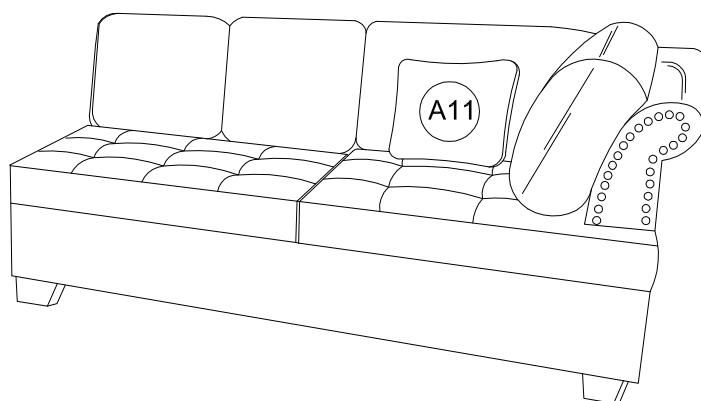
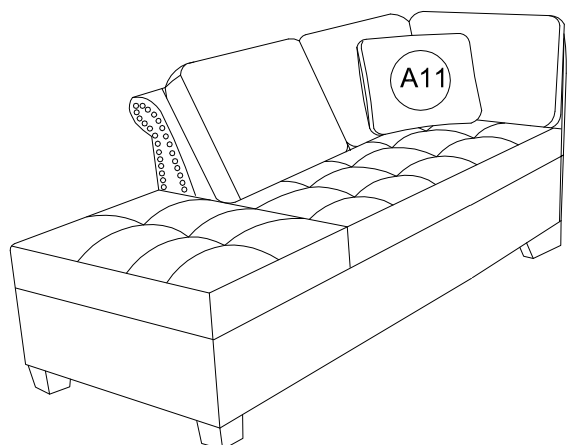
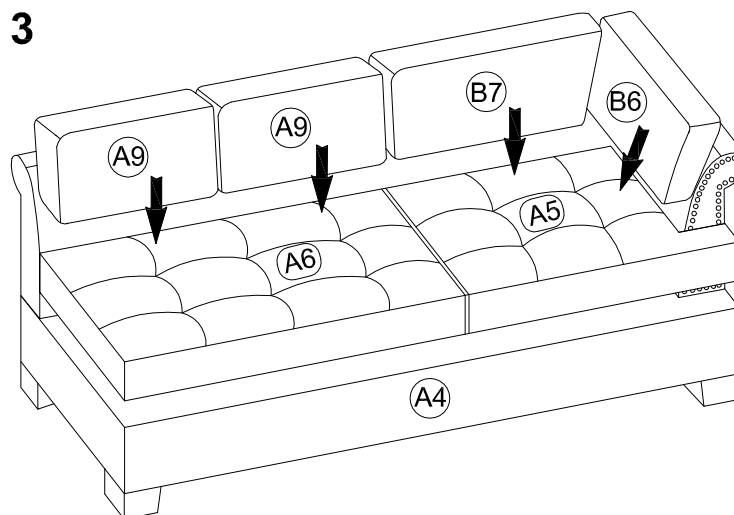
STEP 1



STEP 2



STEP 3



COMPLETE