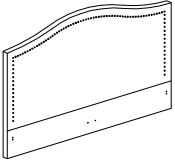
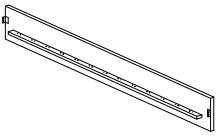
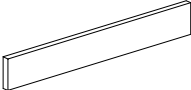
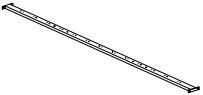
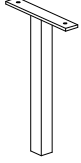
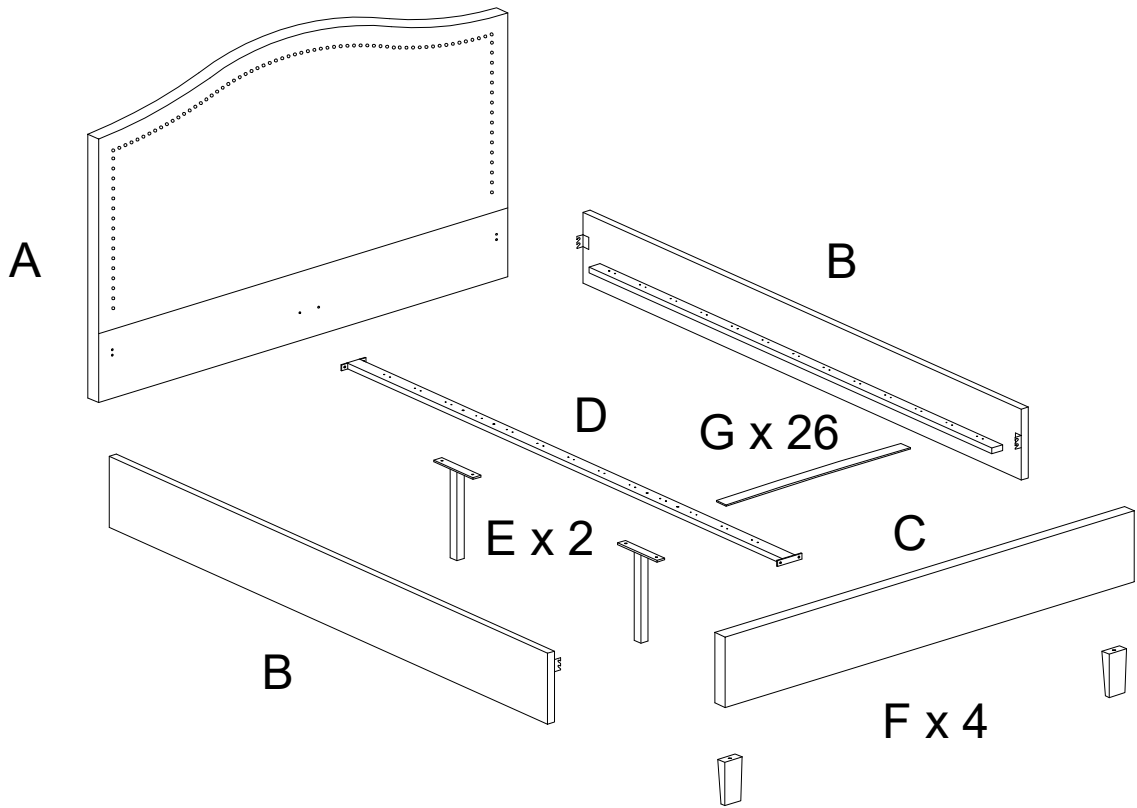



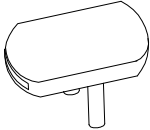


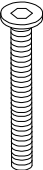
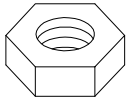
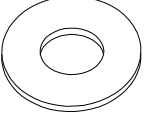
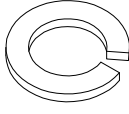

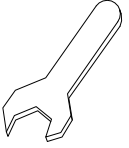


Assembly instructions for step 1/5:

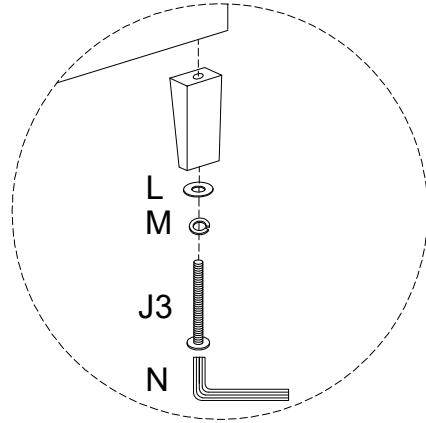
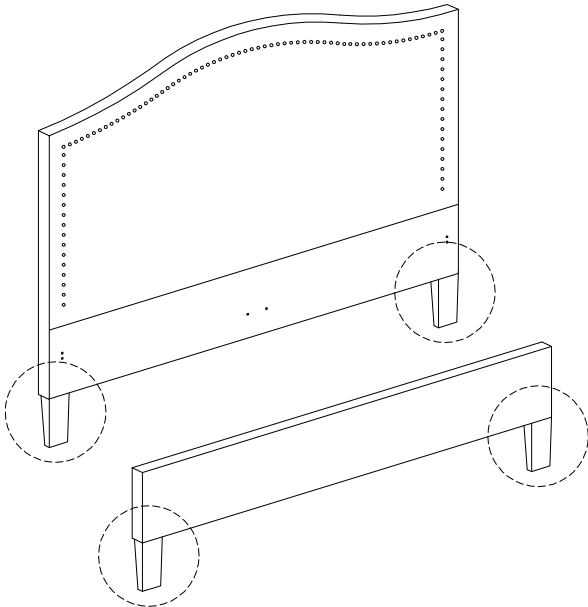
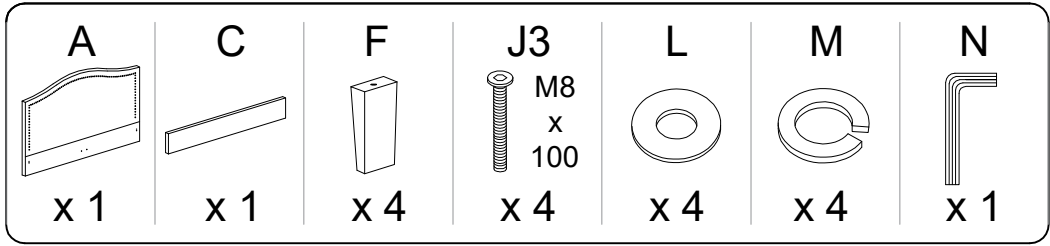
- Tools:** An icon in a circle shows an Allen key and a wrench. A power drill icon is crossed out with a diagonal line, indicating it should not be used.
- Warning:** A triangle with an exclamation mark points to the instructions.
- Time:** A clock icon is shown above the number **45'**, indicating the estimated assembly time.
- Personnel:** A person icon is shown above the number **2**, indicating that two people are required for assembly.

A	B	C	D	E
				
x 1	x 2	x 1	x 1	x 2

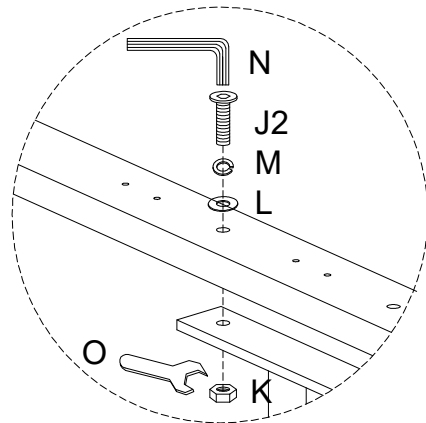
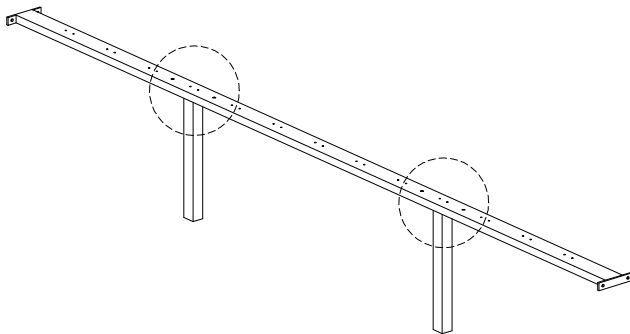
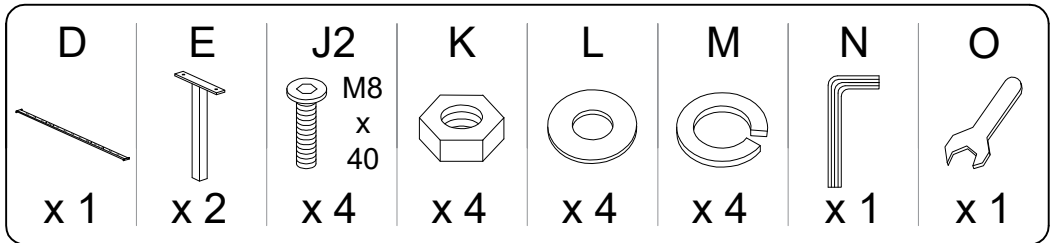


F	G	H	I	J1	J2
				 M8 x 30	 M8 x 40
x 4	x 26	x 26	x 13	x 8	x 8
J3	K	L	M	N	O
 M8 x 100					
x 4	x 4	x 20	x 20	x 1	x 1

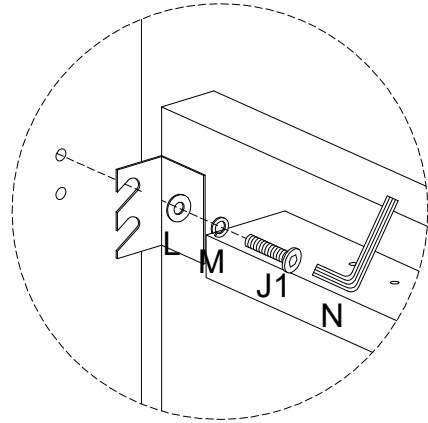
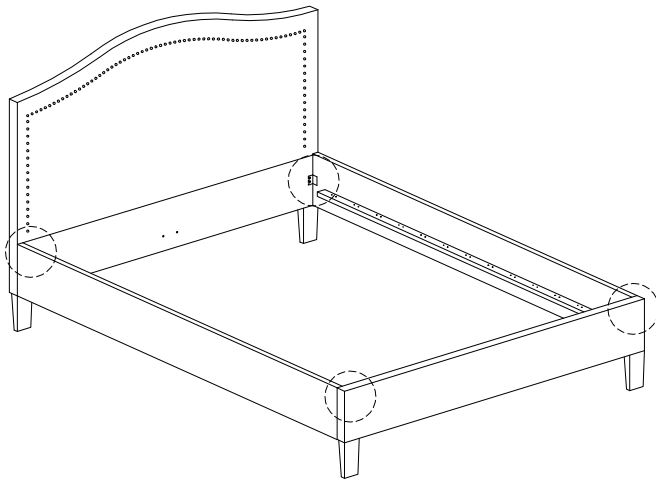
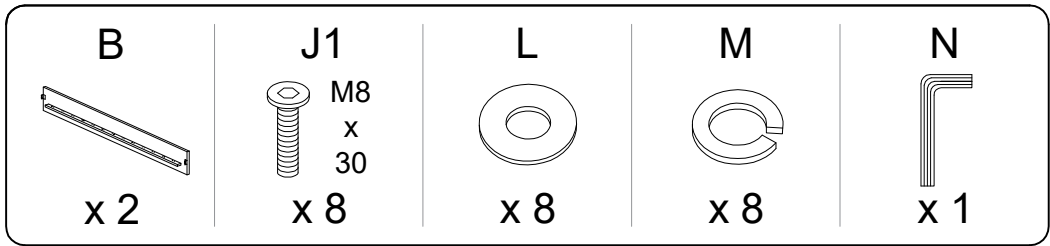
1



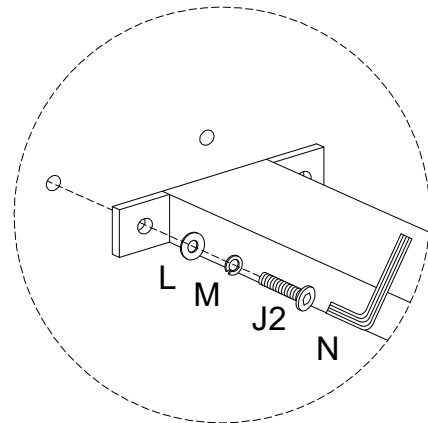
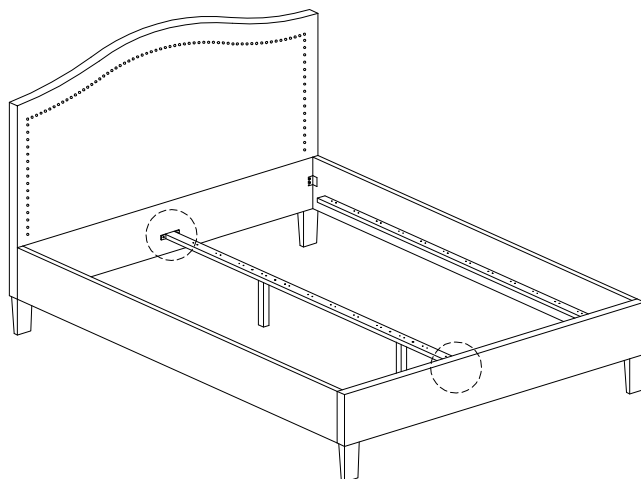
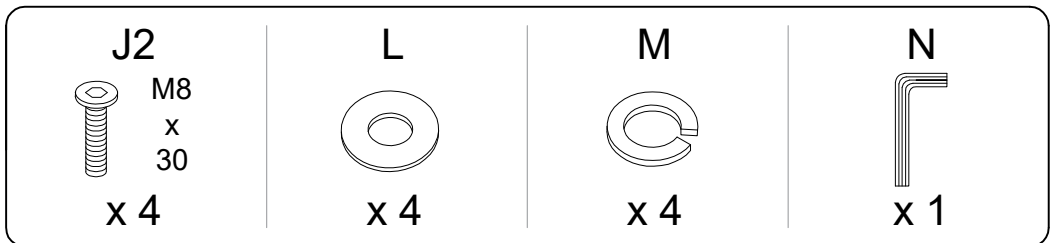
2



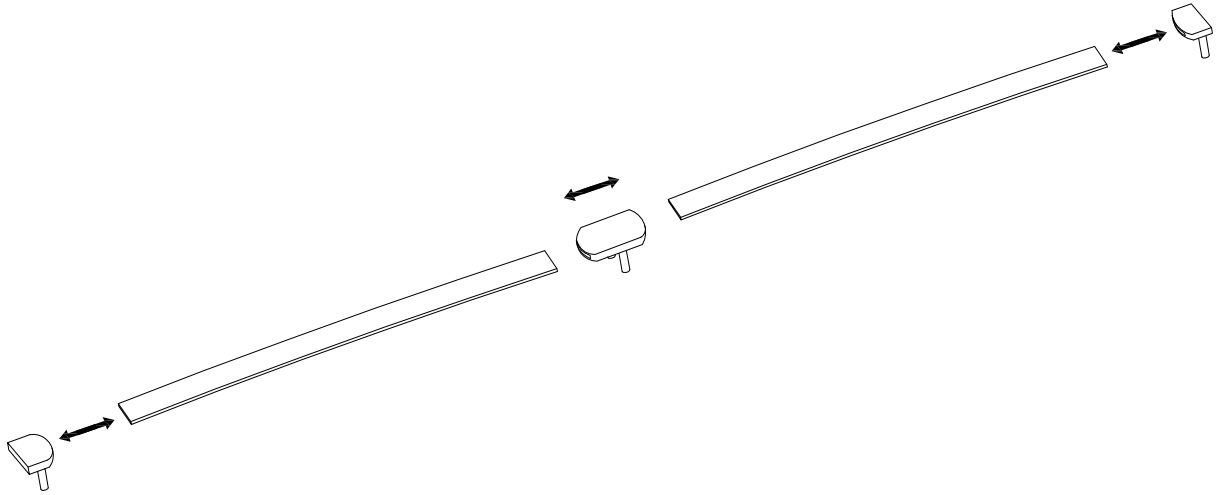
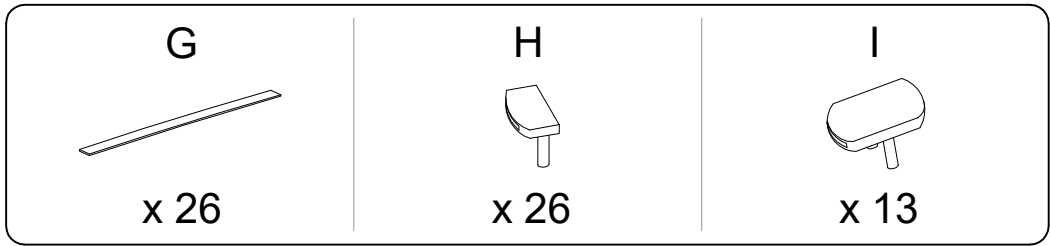
3



4



5



6

