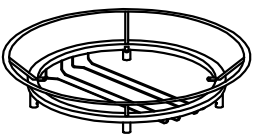
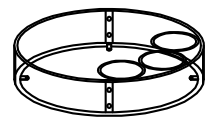
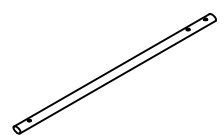


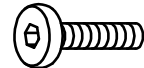



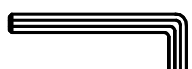
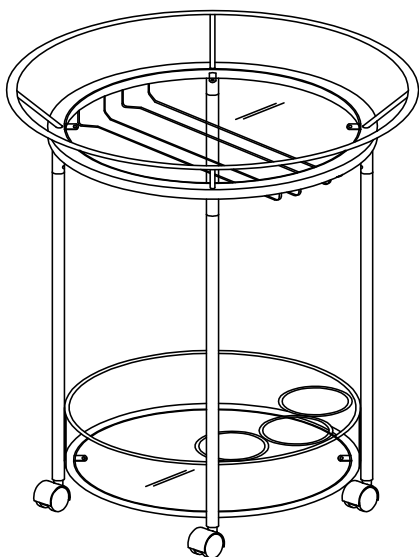


ASSEMBLY INSTRUCTION

TEMPERED CLEAR GLASS METAL KITCHEN CART

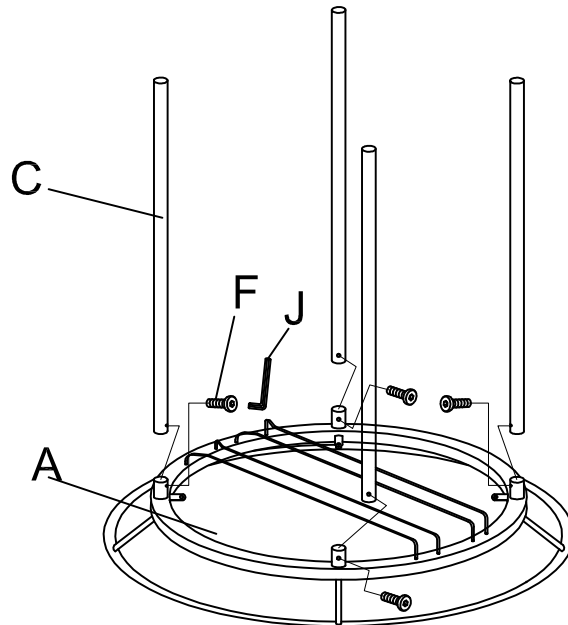
<p>A Top Frame</p>  <p>1pc</p>	<p>B Bottom Frame</p>  <p>1pc</p>	<p>C Leg</p>  <p>4pcs</p>	<p>D Top Glass φ452mm</p>  <p>1pc</p>
<p>E Bottom Glass φ416mm</p>  <p>1pc</p>	<p>F Bolt 1/4" x 1/2"</p>  <p>12pcs</p>	<p>G Suction Cup Φ14mm</p>  <p>8pcs</p>	<p>H Wheel 1-1/2"</p>  <p>4pcs</p>
<p>I Open Wrench 13mm</p>  <p>1pc</p>	<p>J Allen Wrench 4mm</p>  <p>1pc</p>		



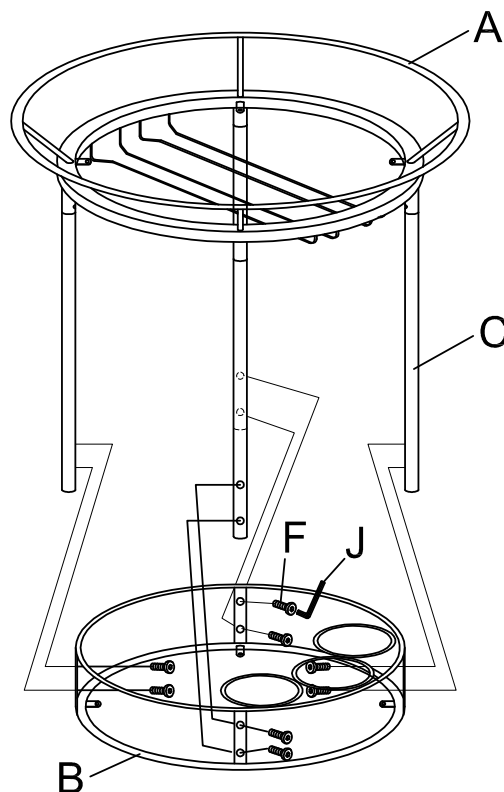
This page lists all the contents included in the box. Please take the time to identify the hardware as well as the individual components to this product. As you unpack and prepare for assembly, place the contents on a carpeted or padded area to protect them from damage.

***** Do not tighten screws & bolts until the entire unit is completely assembled.**

1 Attach leg (C) to top frame (A) by bolt (F) and tighten with allen wrench (J) as shown.

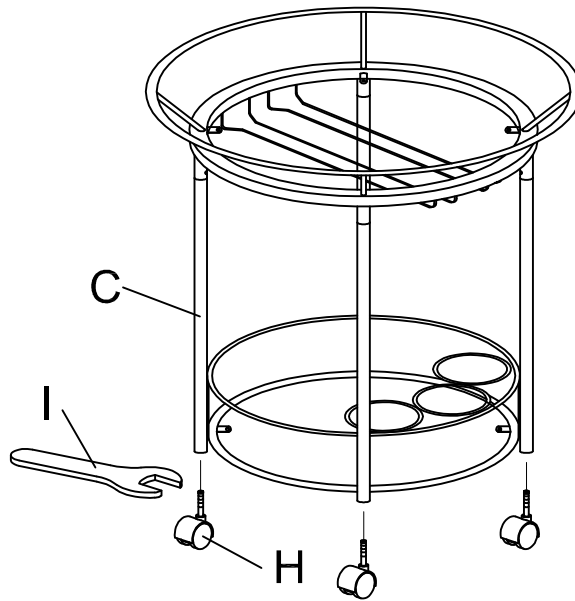


2 Upright the assembled top frame (A) and leg (C) and then attach it to bottom frame (B) by bolt (F) and tighten with the allen wrench (J) as shown.

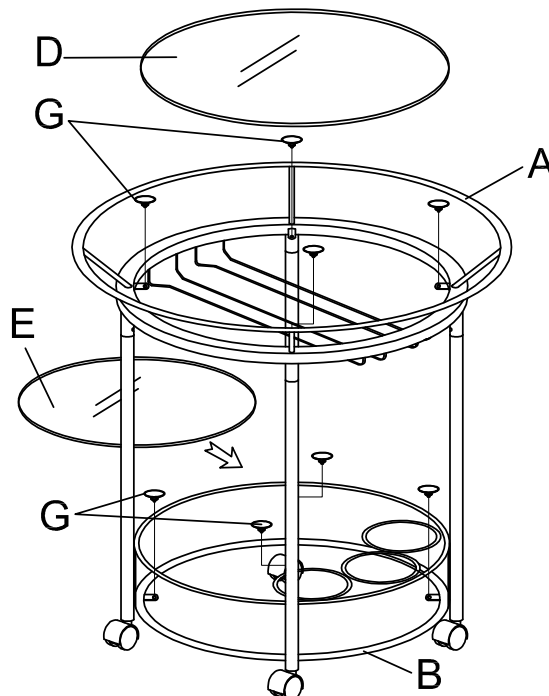


3

Attach wheel (H) to leg (C) by open wrench (I) as shown.

**4**

Attach suction cup (G) to top frame (A) and bottom frame (B). Then put top glass (D) into top frame (A) and put bottom glass (E) into bottom frame (B) as shown.



Cleaning & Care

Treat surface with care. Surface is resistant to scratches but is not scratch resistant. Clean surfaces with a dry or damp soft cloth. Do not use abrasive cleaners. Hardware may loosen over time. Periodically check that all connections are tight.