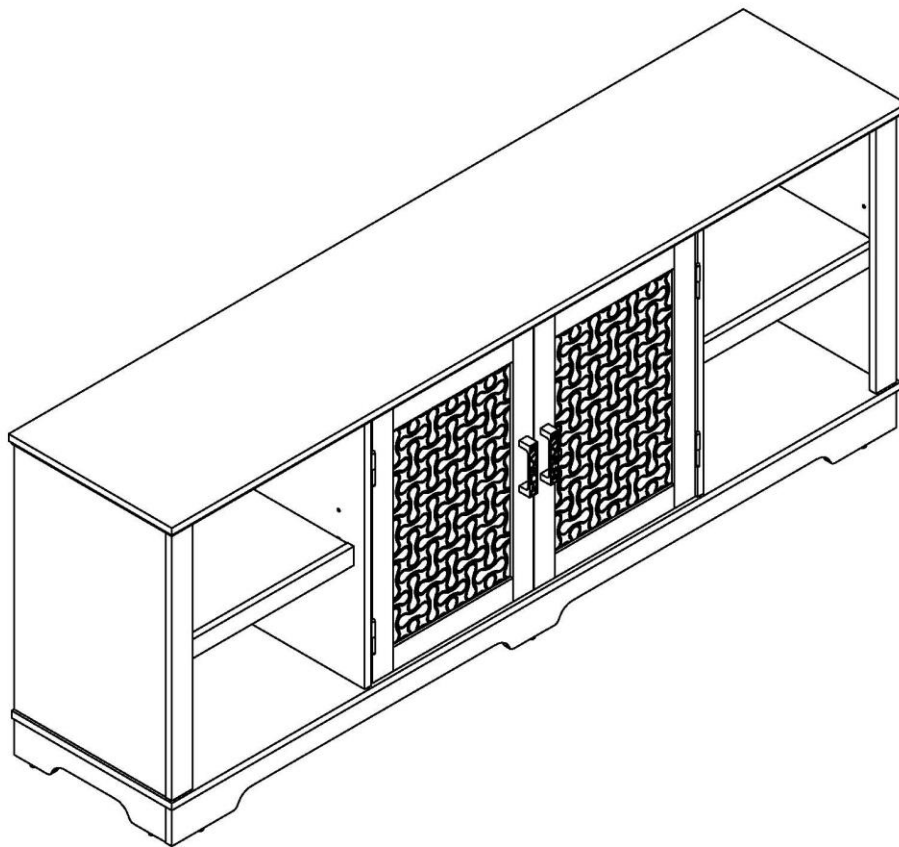
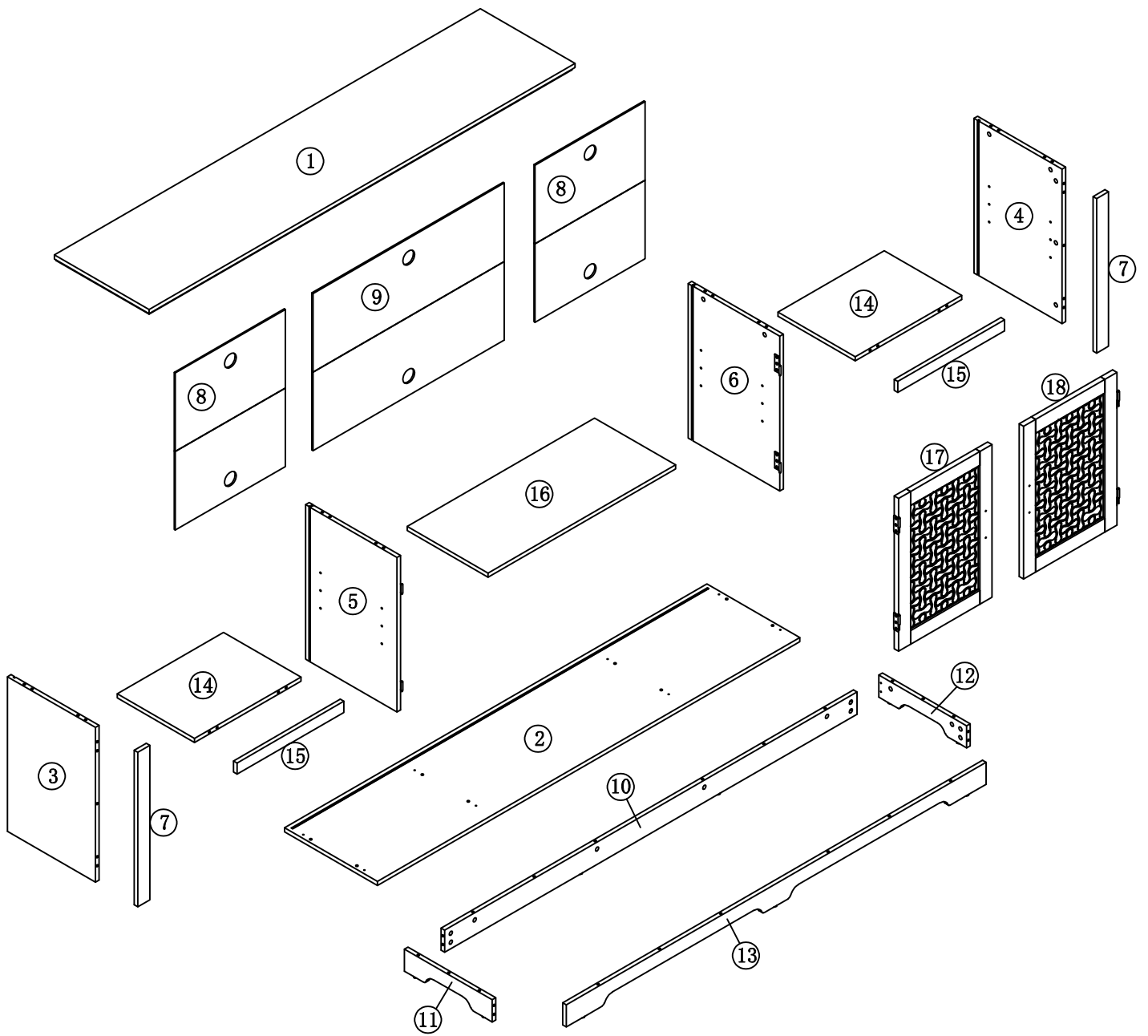


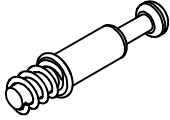

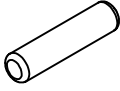
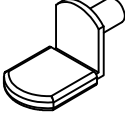
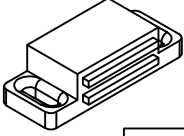
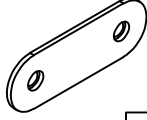
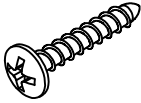
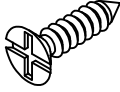
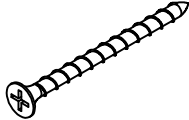
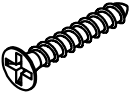
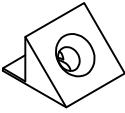



Assembly Instructions

TV Stand

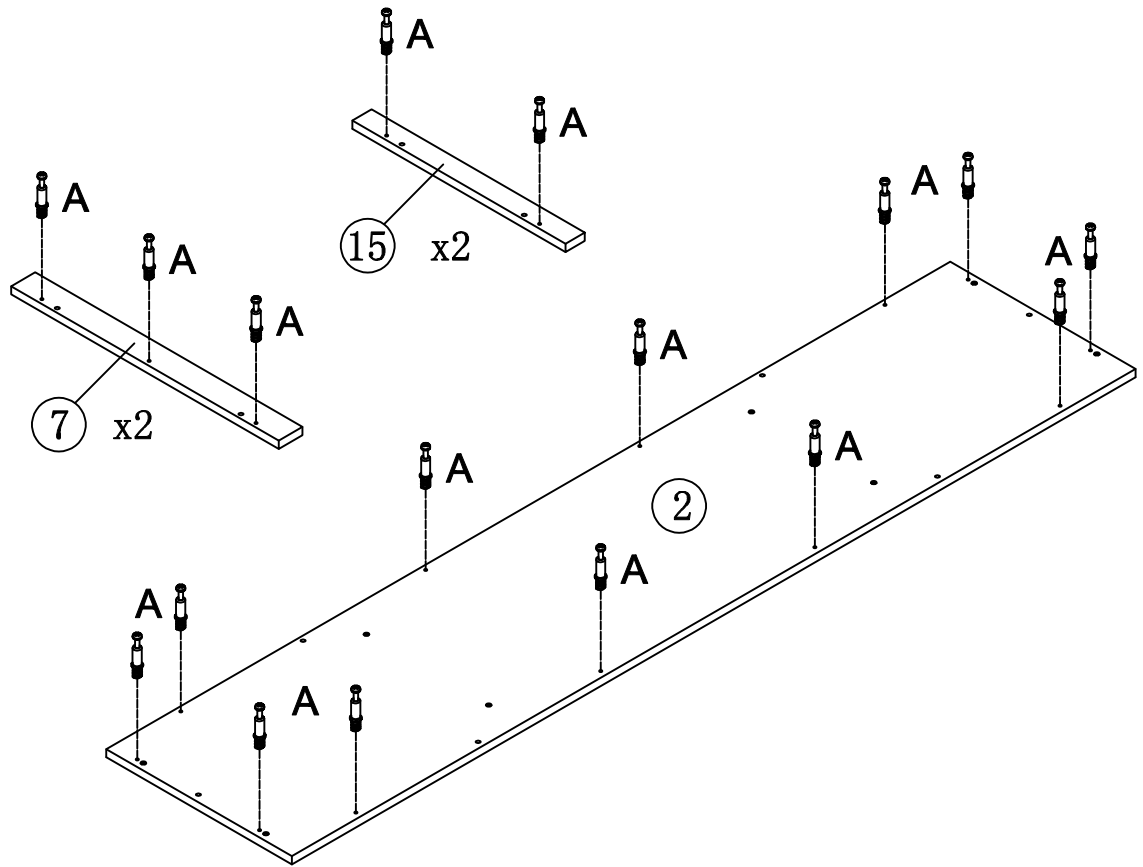


NOTE: This instruction manual contains **IMPORTANT** safety information. Please read carefully before assembling the product



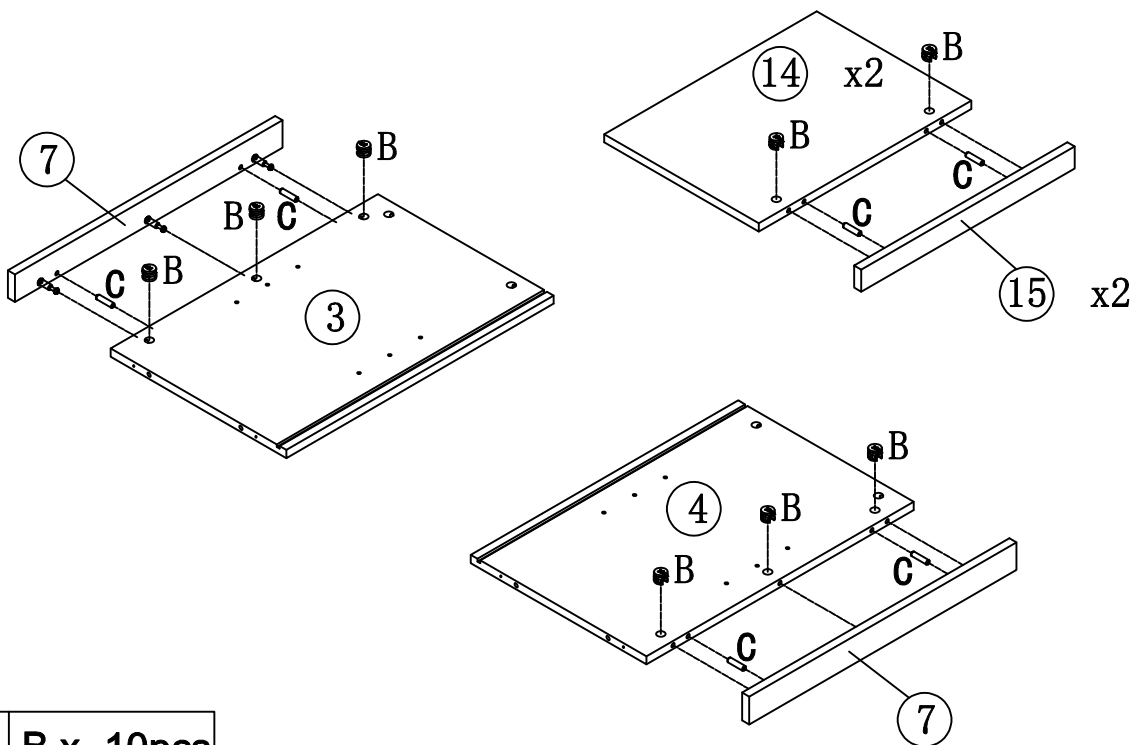
<p>A</p>  <p>M6*33.5mm 38+2pcs</p>	<p>B</p>  <p>∅15*11.5 38+2pcs</p>	<p>C</p>  <p>∅8*30mm 30+2pcs</p>
<p>D</p>  <p>12+1pcs</p>	<p>E</p>  <p>2pcs</p>	<p>F</p>  <p>2pcs</p>
<p>G</p>  <p>M3*15mm 4pcs</p>	<p>H</p>  <p>M3*12mm 4pcs</p>	<p>I</p>  <p>M4*50mm 8+1pcs</p>
<p>J</p>  <p>∅3*17mm 8+1pcs</p>	<p>K</p>  <p>8+1pcs</p>	<p>L</p>  <p>2pcs</p>
<p>M</p>  <p>M4*19mm 4pcs</p>	<p>N</p>  <p>1pcs</p>	

STEP 1



A x 22pcs

STEP 2

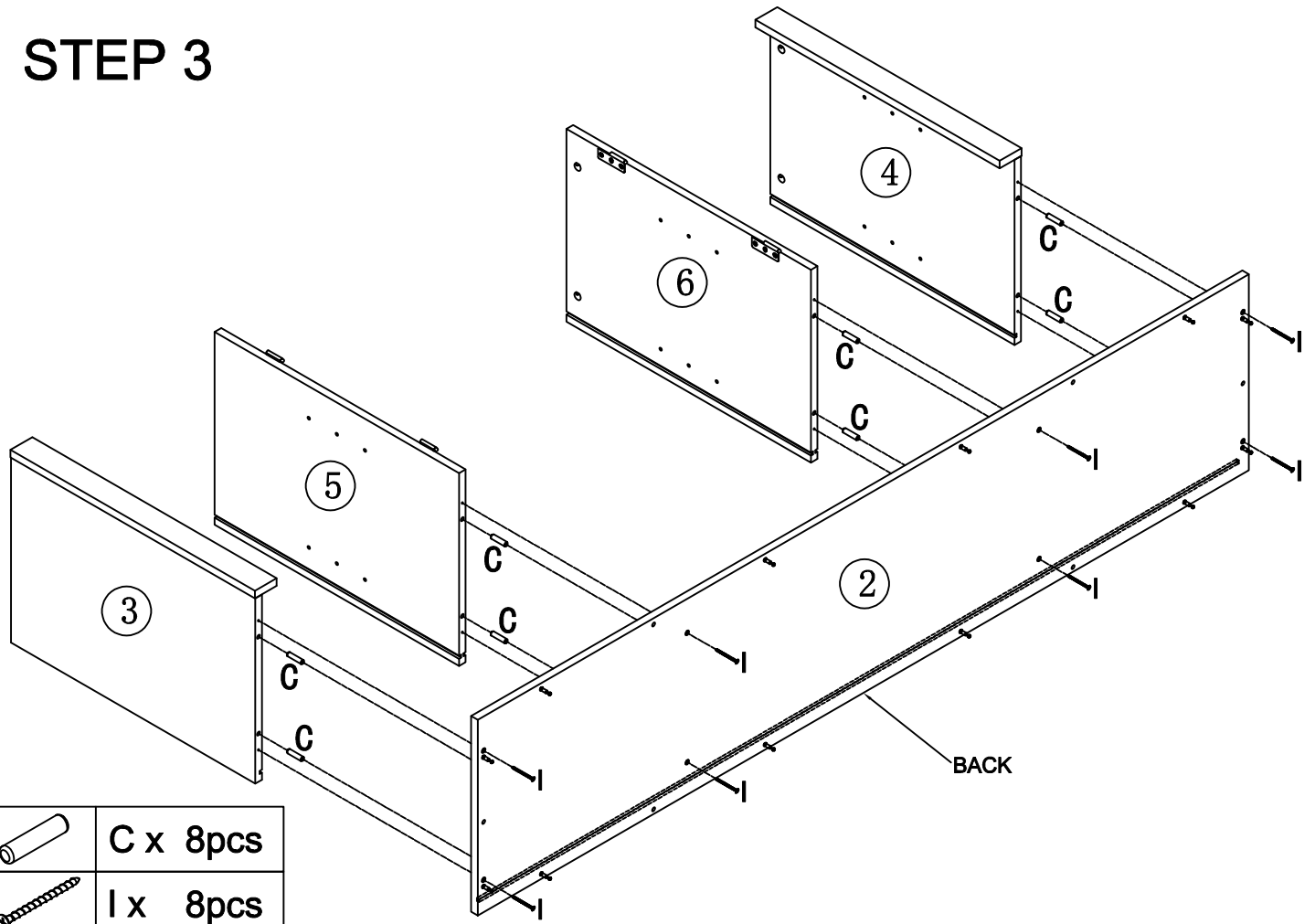


B x 10pcs

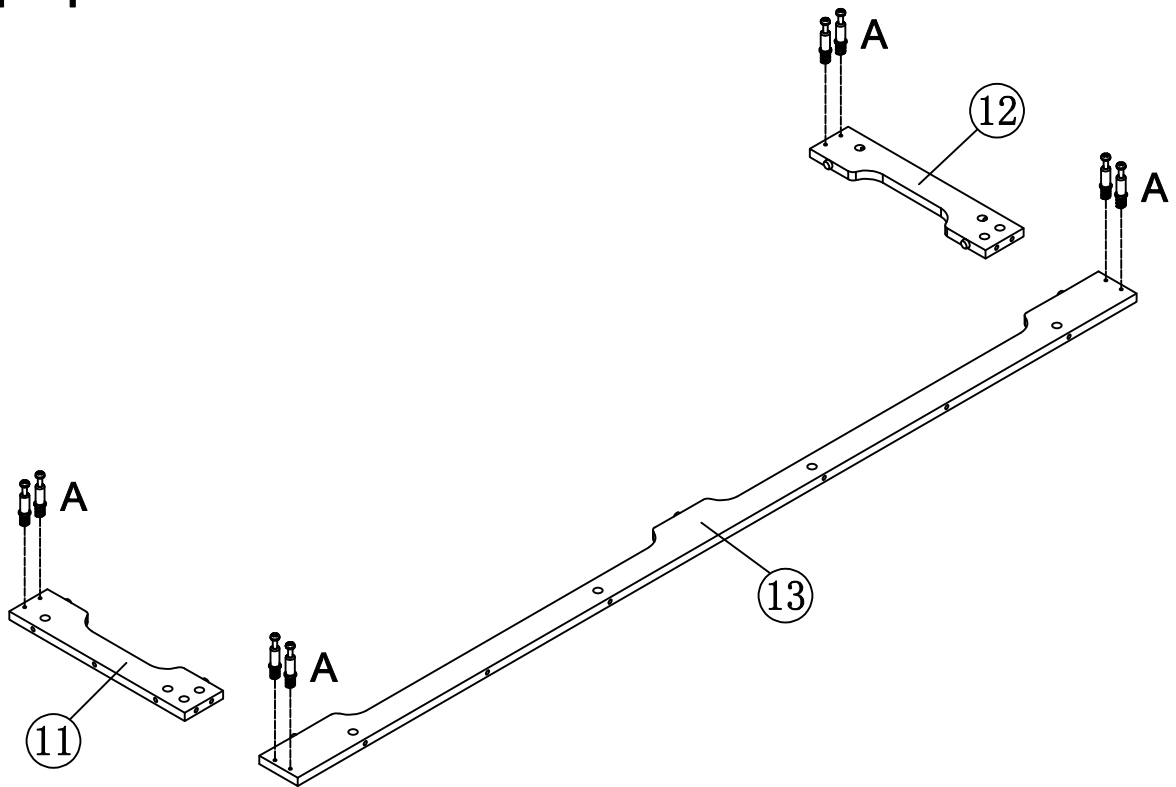


C x 8pcs

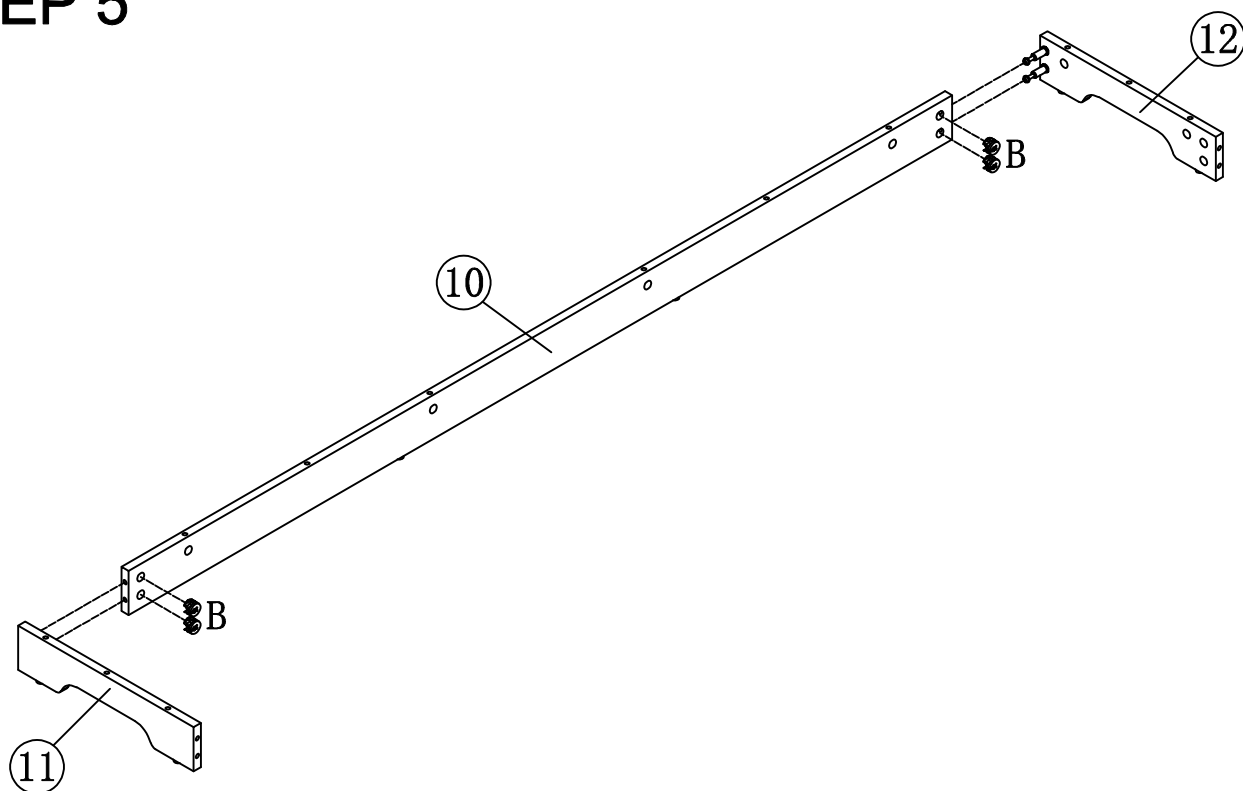
STEP 3



STEP 4

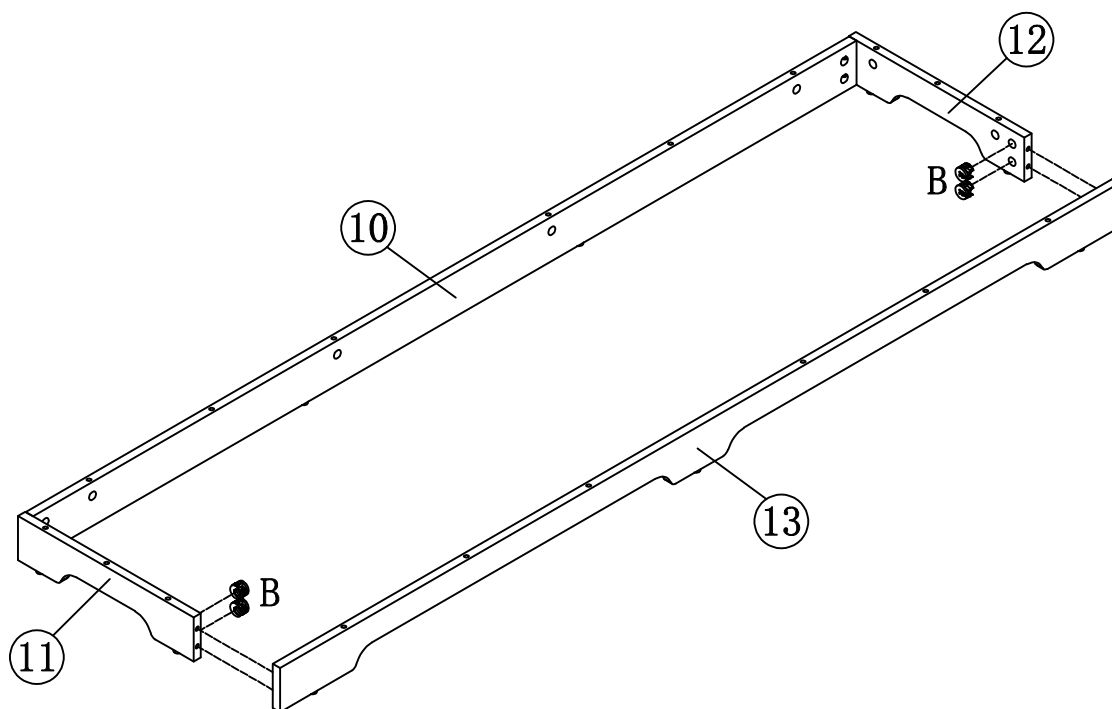


STEP 5



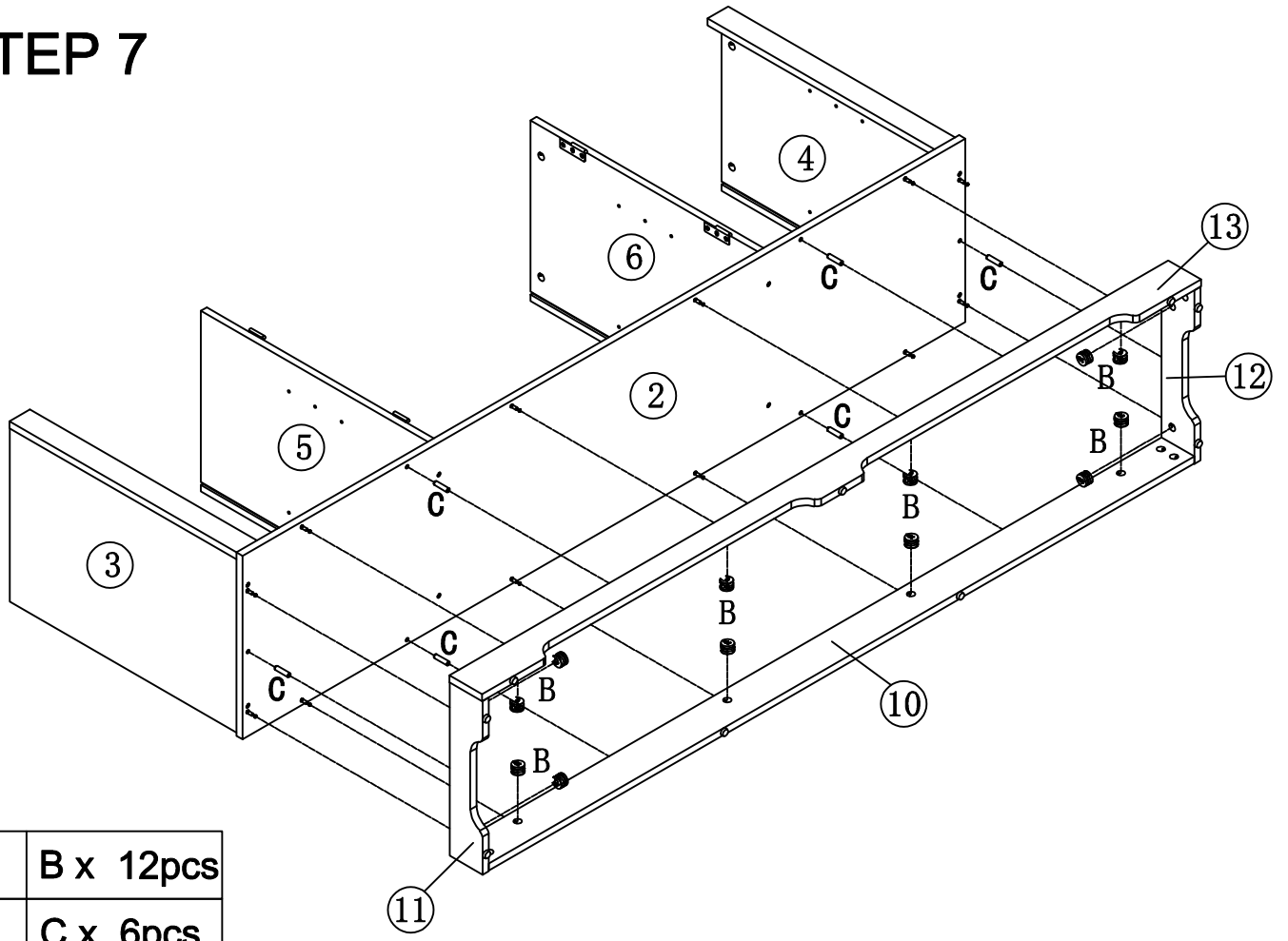
B x 4pcs



STEP 6



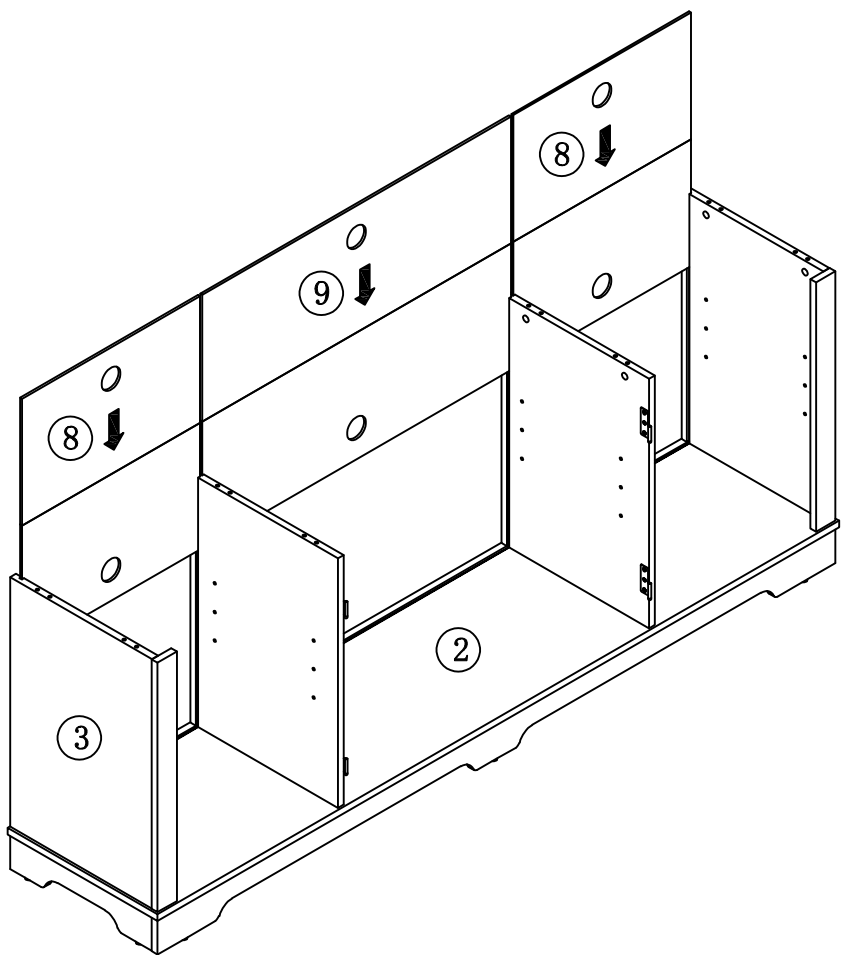
B x 4pcs

STEP 7

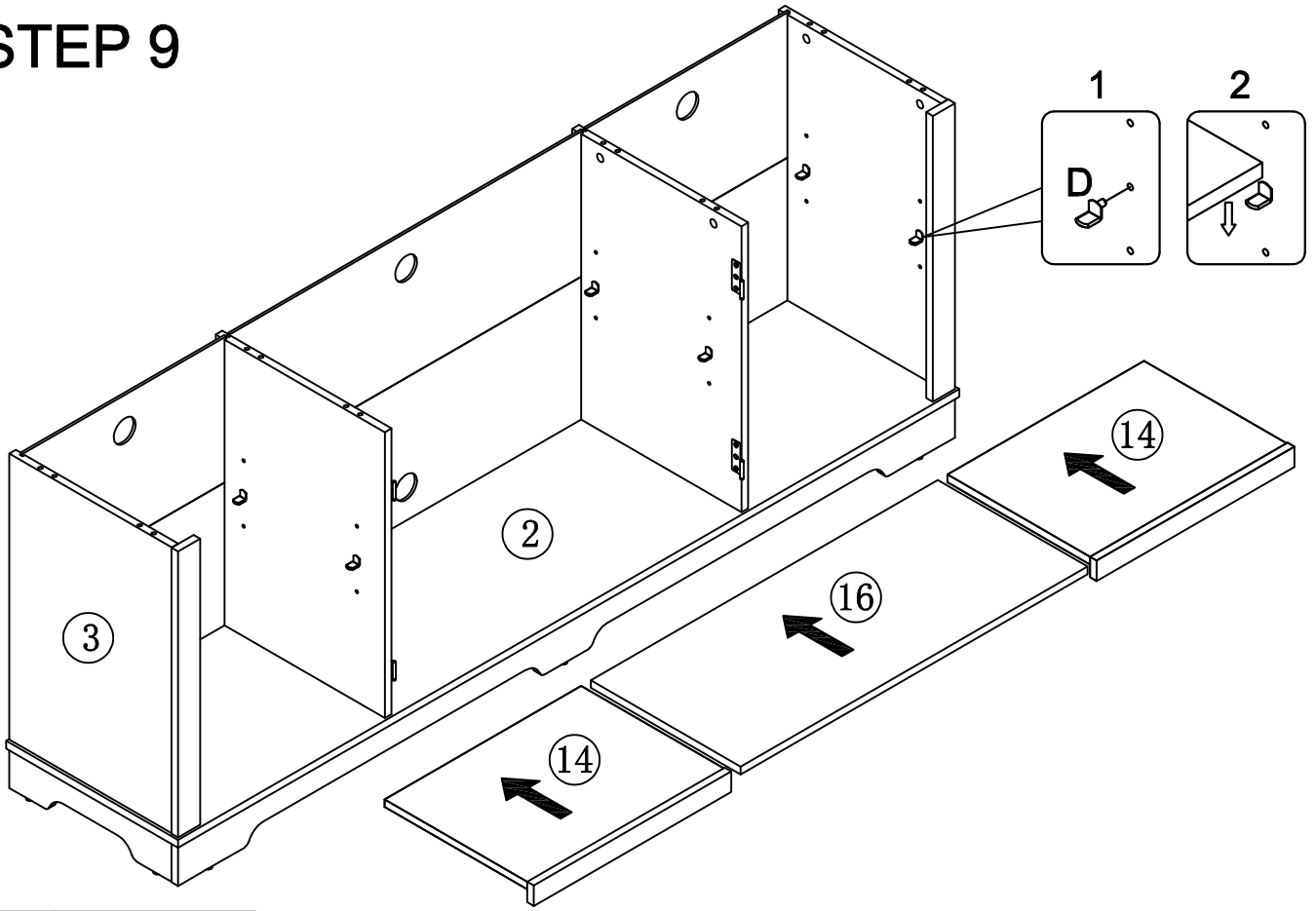


	B x 12pcs
	C x 6pcs

STEP 8

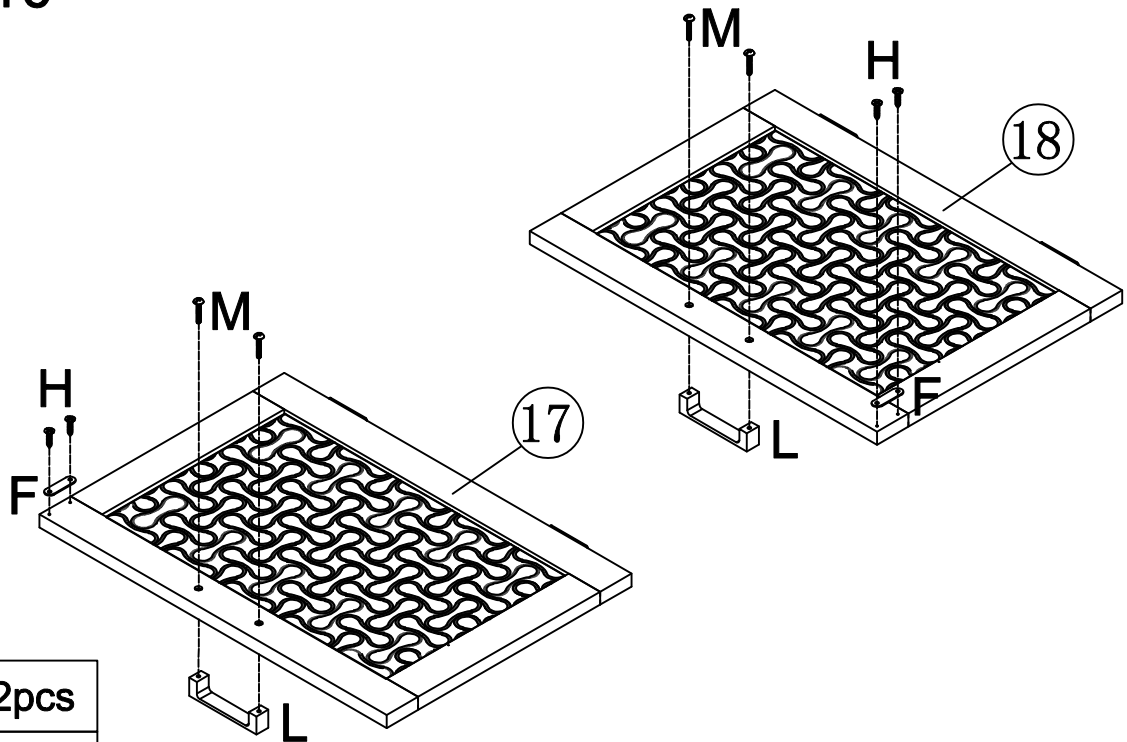




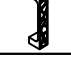

STEP 9



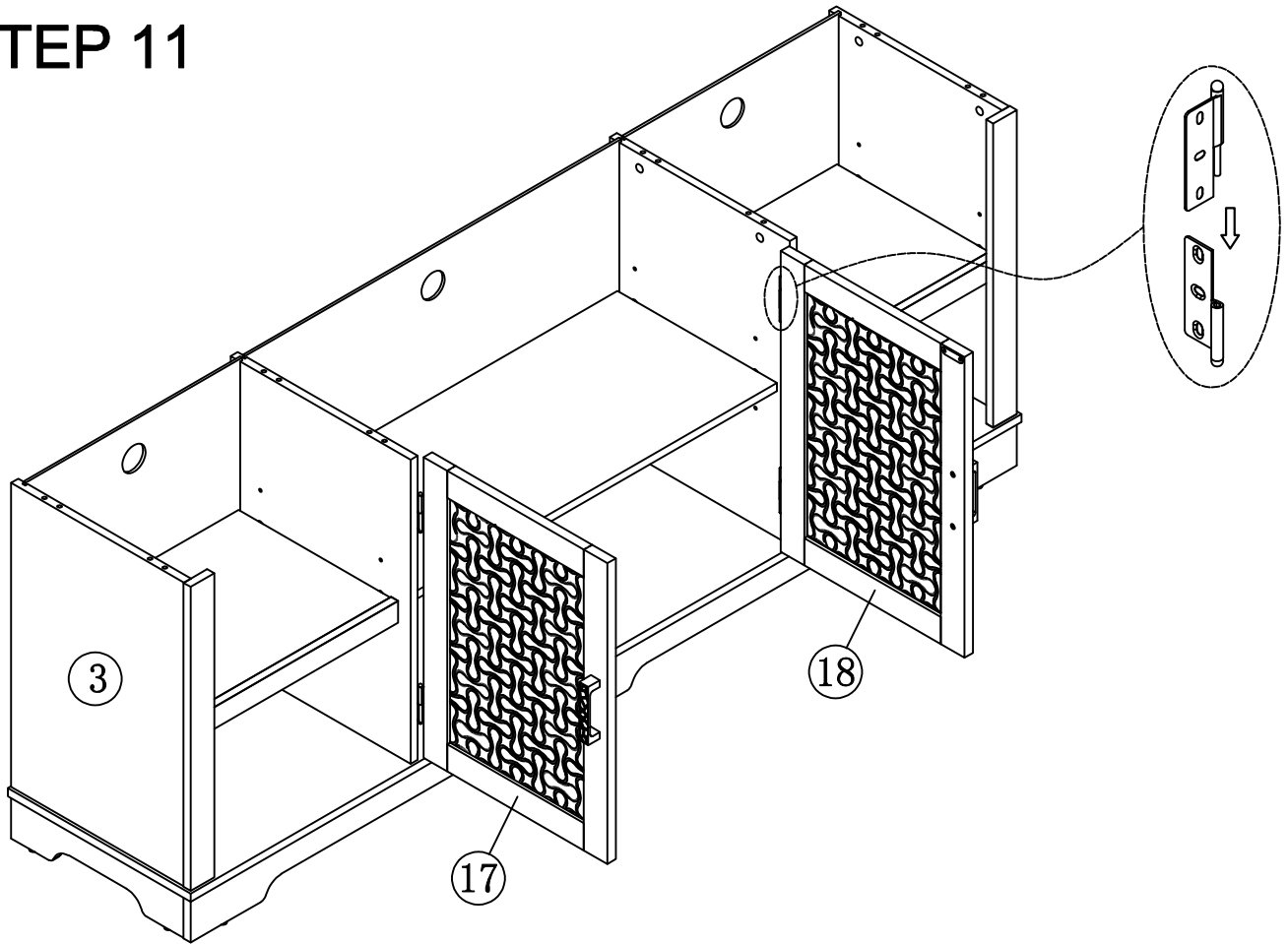
	D x 12pcs
--	-----------

STEP 10

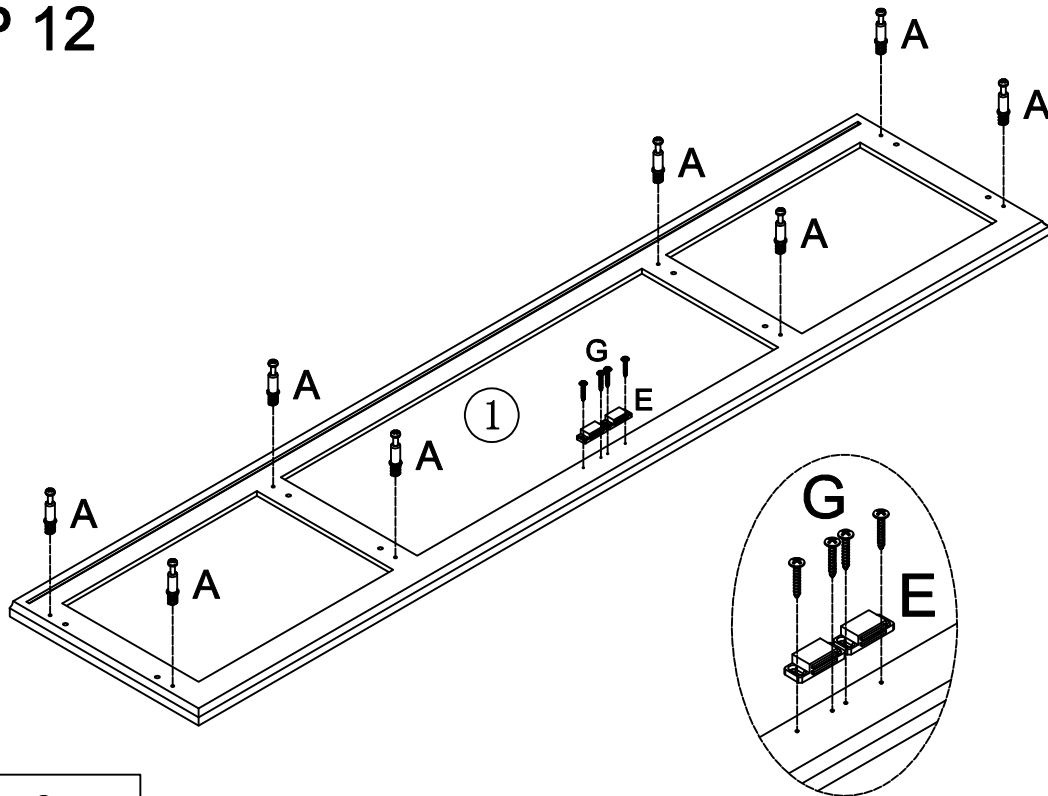





	F x 2pcs
	H x 4pcs
	L x 2pcs
	M x 4pcs

STEP 11

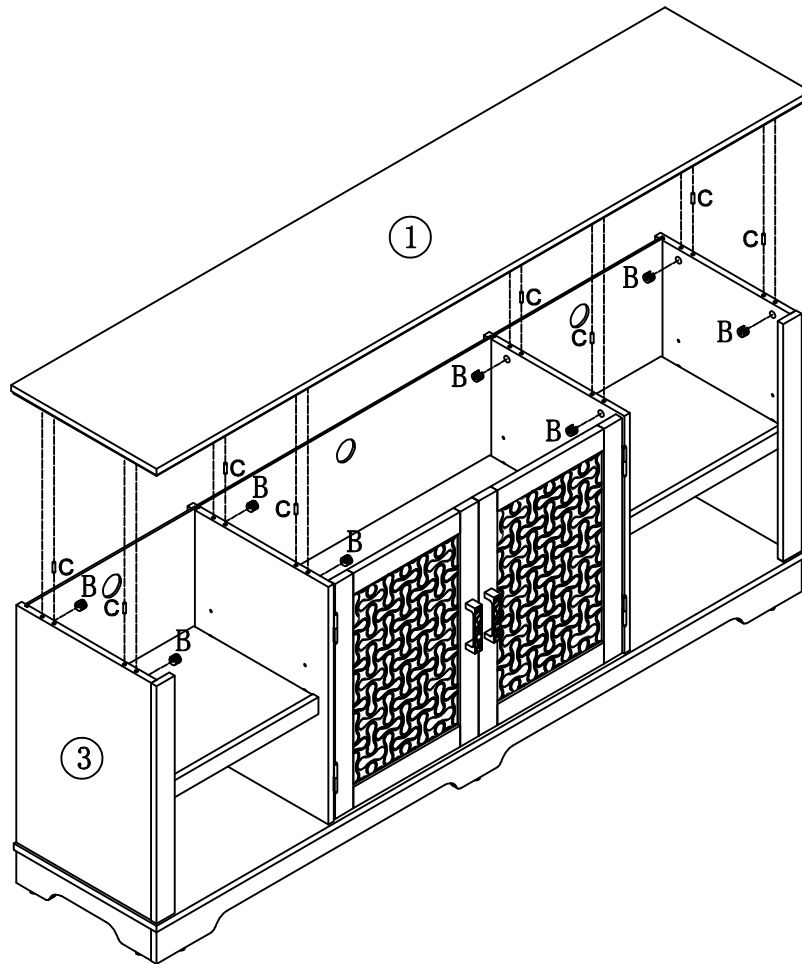




STEP 12



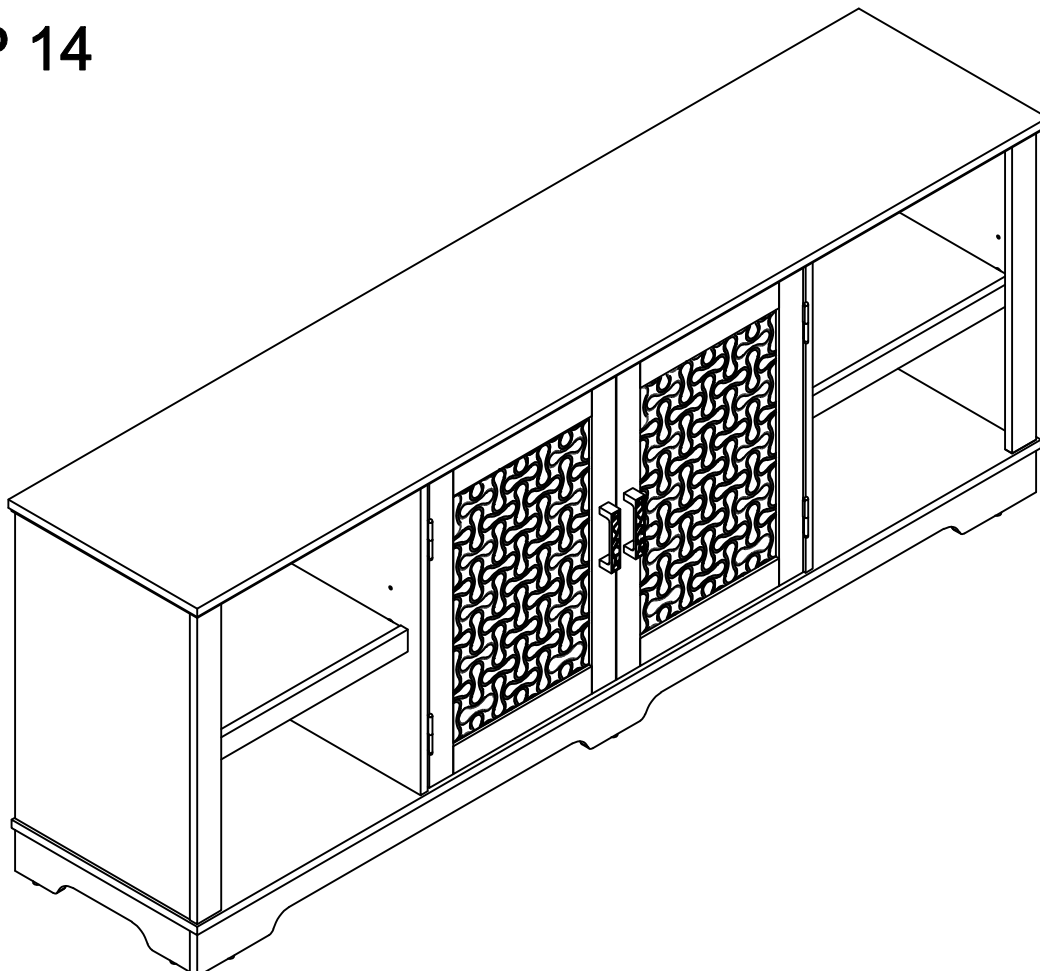
	A x 8pcs
	E x 2pcs
	G x 4pcs

STEP 13

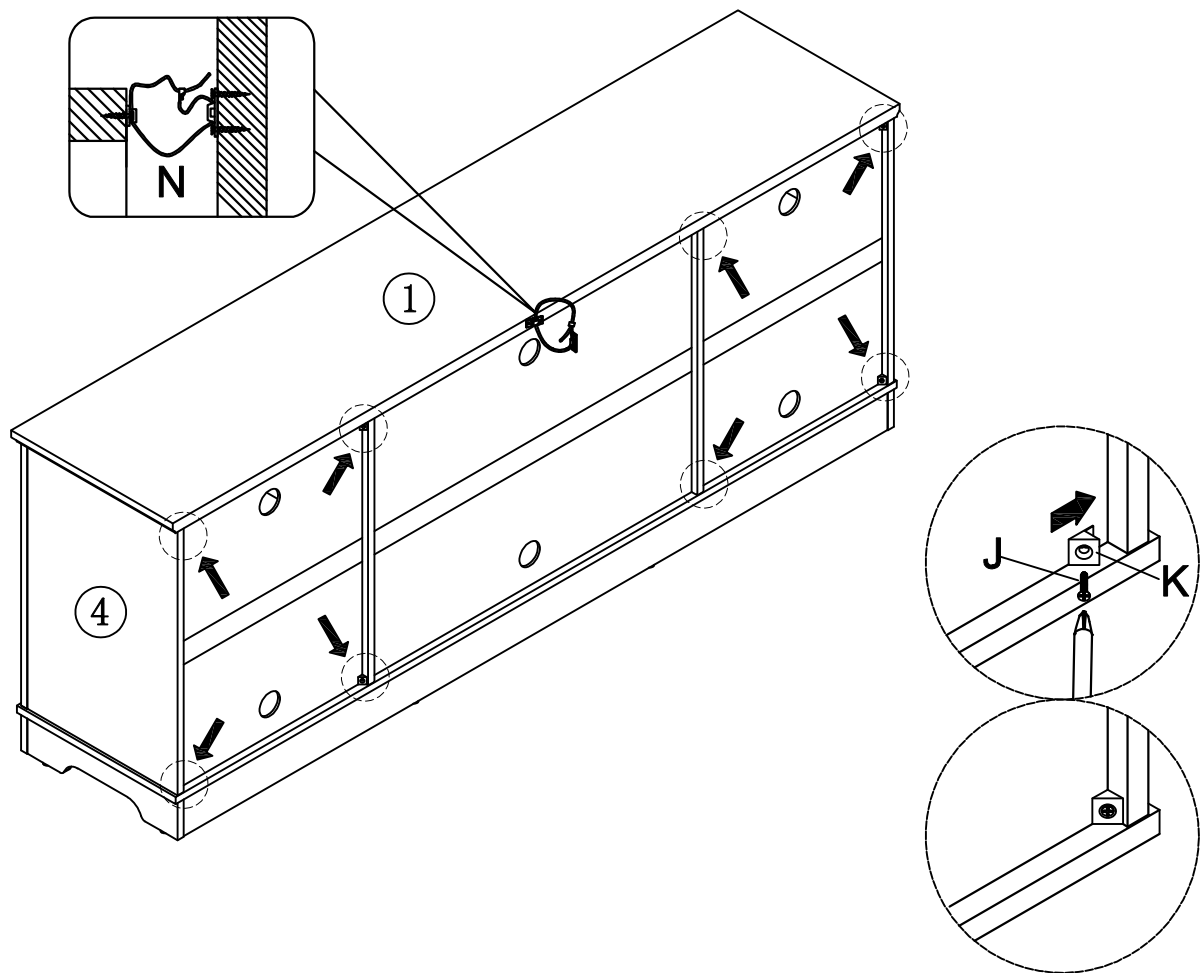





	B x 8pcs
	C x 8pcs

STEP 14



STEP 15



	J x 8pcs
	K x 8pcs
	N x 1pcs