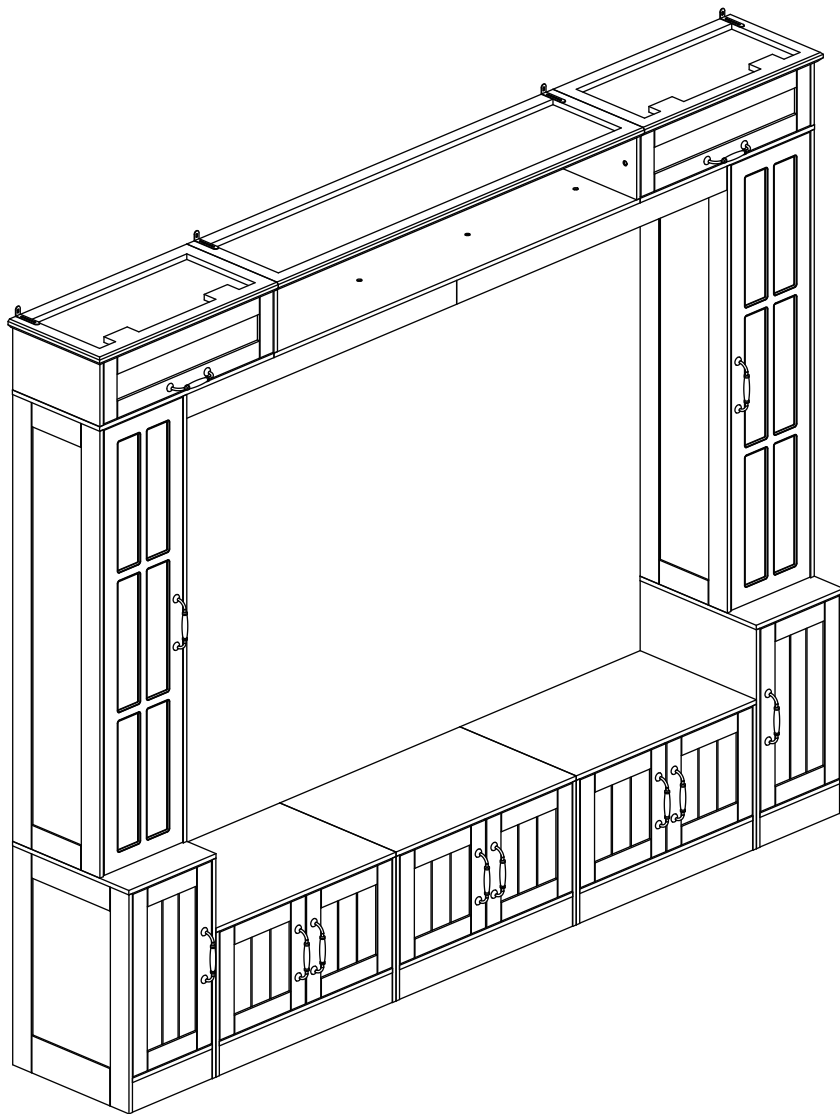


TV Stand

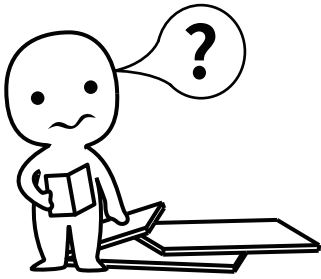
Assembly Instructions - Please keep for future reference



Dimensions

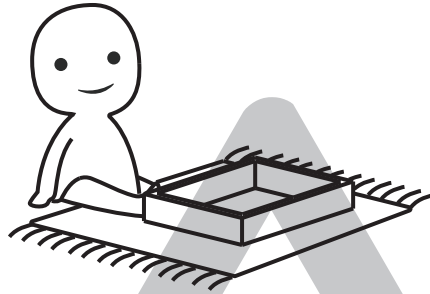
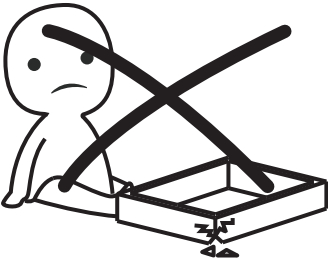
Width - 98 inch
Depth - 15.7 inch
Height - 79 inch

Important – Please read these instructions fully before starting assembly



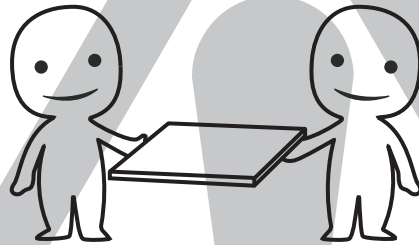
IMPORTANT INFORMATION!

please read the entire manual before starting to assemble and/or using this product. follow the manual thoroughly and keep it for further reference.



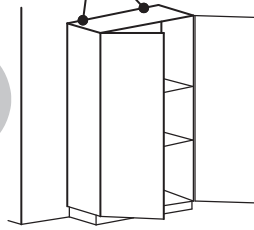
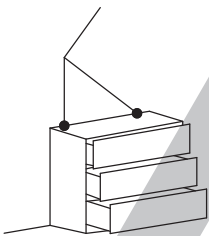
AVOID SCRATCHES!

In order to avoid scratching this furniture should be assembled on a soft layer—could be a rug.



IMPROVE EFFICIENCY !

Try to find a partner to install with you, which can speed up the installation efficiency and shorten the time.



ANTI-TOPPLE WARNING !

Overtipped furniture can cause serious or fatal crush injuries. To prevent tipping over, be sure to use the wall attachment, if not included with this product. Please purchase the wall attachment that fit your wall. If unsure, seek professional advice. Please read and follow each step of the instructions carefully.



Safety and Care Advice

Important – Please read these instructions fully before starting assembly

- Check you have all the components and tools listed on the following pages.
- Remove all fittings from the plastic bags and separate them into their groups.
- Keep children and animals away from the work area, small parts could choke if swallowed.
- Make sure you have enough space to layout the parts before starting.

- During assembly do not stand or put weight on the product, this could cause damage.
- Assemble the item as close to its final position (in the same room) as possible.
- Assemble on a soft level surface to avoid damaging the unit or your floor.
- Parts of the assembly will be easier with 2 people.



- To reduce the likelihood of damaging your product please ensure that your power drill is set on a low torque setting.

Care and maintenance

- Only clean using a damp cloth and mild detergent, do not use bleach or abrasive cleaners.
- From time to time check that there are no loose screws on this unit.
- This product should not be discarded with household waste. Take to your local authority waste disposal centre.

Handy Hints

- Assemble all parts and bolts loosely during assembly, only once the product is complete should you fully tighten the bolts
- Regularly check and ensure that all bolts and fittings are tightend properly .

WARNING In order to help prevent overturning – please follow these instructions

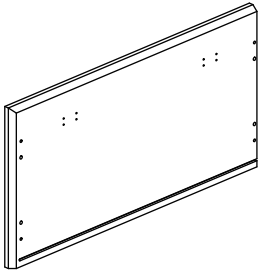
To help prevent product toppling over please follow the below steps:-

Use the anti tip stap or wall fixing method provided (if applicable)
Do not allow children to climb or hang on the furniture
Do not open more than one drawer at a time
Do not place heavy items in the top drawers
Do not place heavy items on top of the furniture, unless the furniture has been designed for this purpose

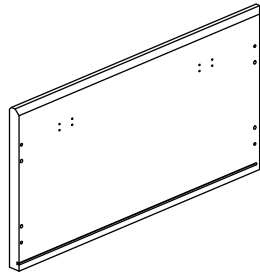
Please note that only the anti tip strap is provided.
You will need to provide wall plugs and screws applicable for your wall type

Componets - Panels

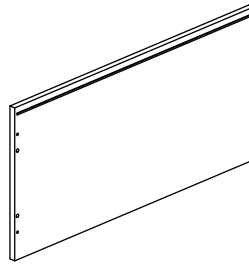
Please check you have all the panels listed below



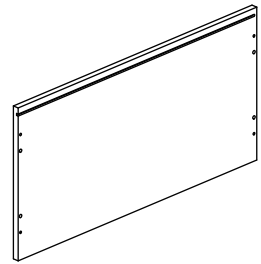
1 (615*315*24mm x1)



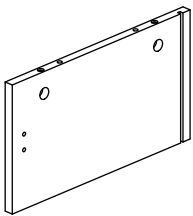
2 (615*315*24mm x1)



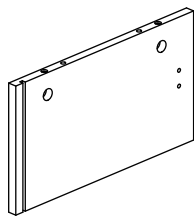
3 (600*300*12mm x1)



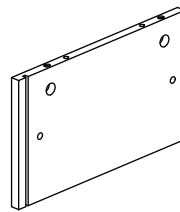
4 (600*300*12mm x1)



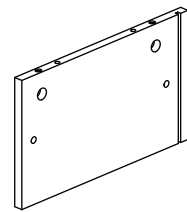
5 (300*170*12mm x1)



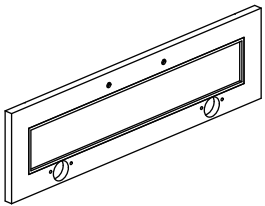
6 (300*170*12mm x1)



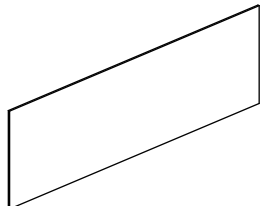
7 (280*170*12mm x1)



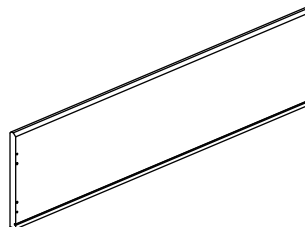
8 (280*170*12mm x1)



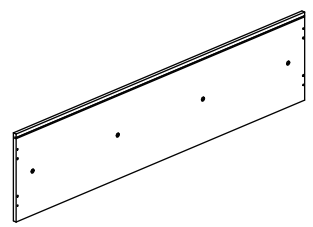
9 (582*164*15mm x2)



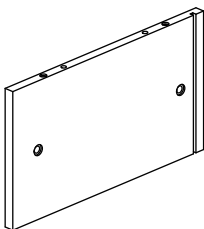
10 (582*178*3mm x2)



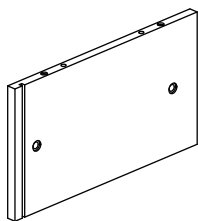
11 (1260*315*24mm x1)



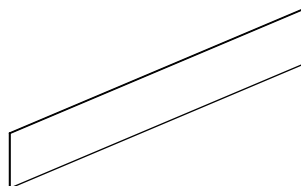
12 (1260*300*12mm x1)



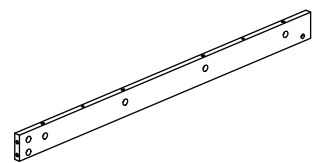
13 (300*170*12mm x1)



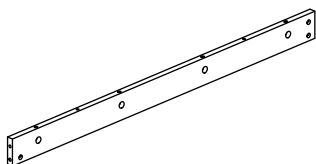
14 (300*170*12mm x1)



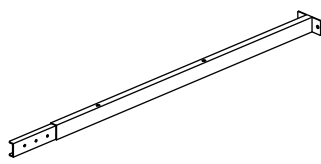
15 (1243*178*3mm x1)



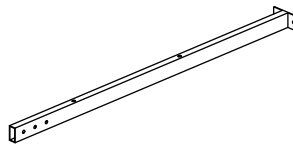
16 (930*65*15mm x1)



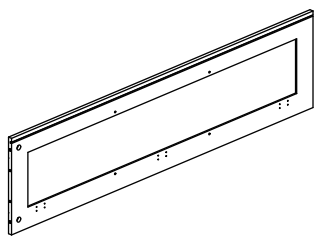
17 (930*65*15mm x1)



18 (1050*80*40mm x1)



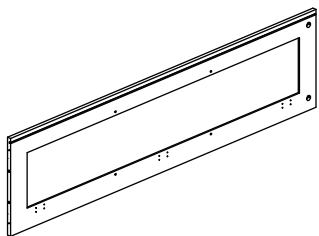
19 (960*80*40mm x1)



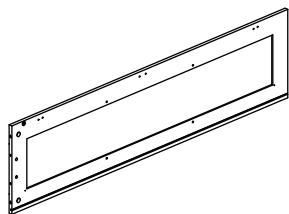
20 (1200*300*12mm x1)

Componets - Panels

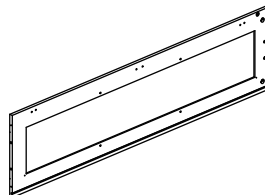
Please check you have all the panels listed below



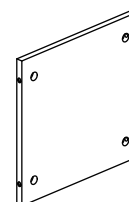
21 (1200*300*12mm x1)



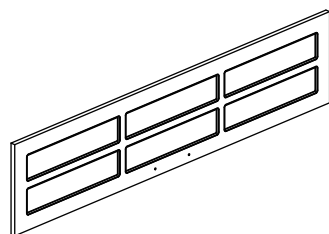
22 (1200*300*12mm x1)



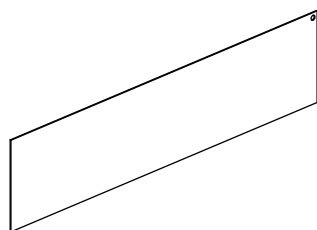
23 (1200*300*12mm x1)



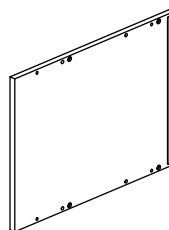
24 (275*268*12mm x4)



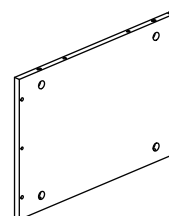
25 (1195*270*14mm x2)



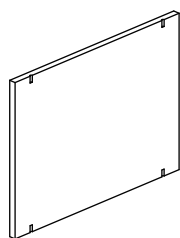
26 (1208*282*3mm x2)



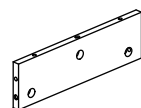
27 (400*300*12mm x2)



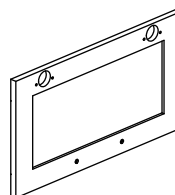
28 (400*275*12mm x2)



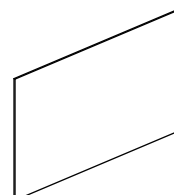
29 (367*273*12mm x2)



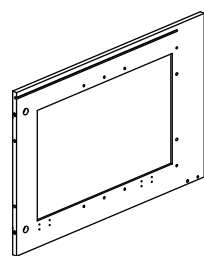
30 (275*80*12mm x2)



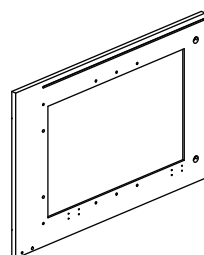
31 (490*270*15mm x2)



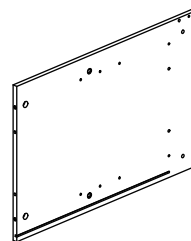
32 (503*282*3mm x2)



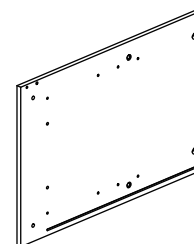
33 (588*400*12mm x1)



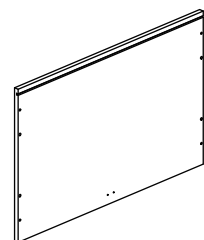
34 (588*400*12mm x1)



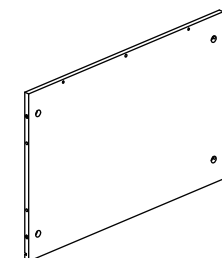
35 (588*400*12mm x1)



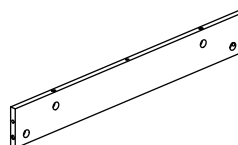
36 (588*400*12mm x1)



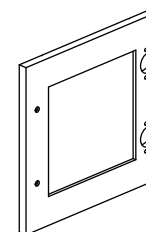
37 (620*400*12mm x3)



38 (596*400*12mm x3)



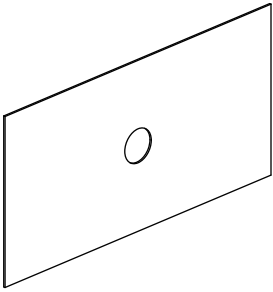
39 (596*80*12mm x3)



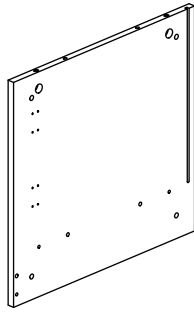
40 (294*290*15mm x6)

Componets - Panels

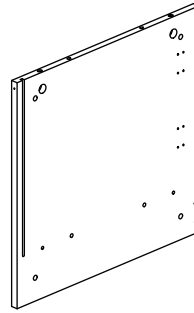
Please check you have all the panels listed below



41 (602*302*3mm x3)



42 (388*400*12mm x3)

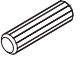
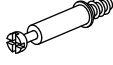

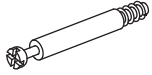
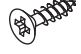
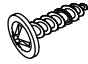

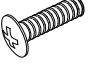
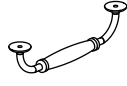
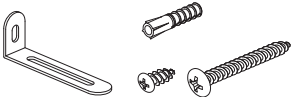
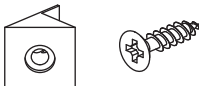


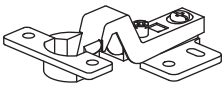
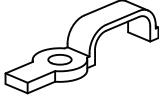
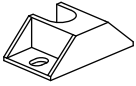








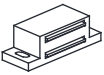


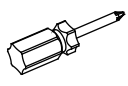


43 (388*400*12mm x3)

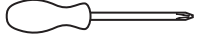
Componets - Fittings

Please check you have all the fittings listed below

Note: The quantities below are the correct amount to complete the assembly. In some cases more fittings may be supplied are required.

A  6*30mm Wooden Dowel x 103	B  6*35mm Cam Bolt x 102	C  Cam Lock x 104	
D  6.5*60mm Cam Bolt x 2	E  3.5*12mm Screw x 174	F  2.5*10mm Screw x 8	
G  4*40mm Screw x 20	H  4*16mm bolt x 24	I  x 12	
J  x 4	K  x 32	L  x 1	
M  x 1	N  x 26	O  x 8	
P  x 9	Q  x 8	R  x 8	
S  6*45mm Bolt x 6	T  6*12 mm Bolt x 20	U  Nut x 4	
V  7.8*18mm Bolt x 20	W  7.8*12mm Bolt x 8	X  6*10 mm Bolt x 7	
Y  x 2	Z  x 2	a  3*12mm Screw x 8	b  x 1

Tools required

 Phillips screwdriver
(medium & large)

Ruler - Use this ruler to help correctly identify the screws

0 5 10 15 20 25 30 35 40 45 50 55 60 65 70 75 80 85 90 95 100 105 110 115 120 125 130 135 140 145 150 155 160 165 170

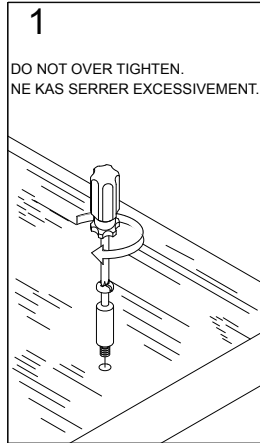


The screws length is measured from the head to the point (30mm screw shown).

Using Camlocks

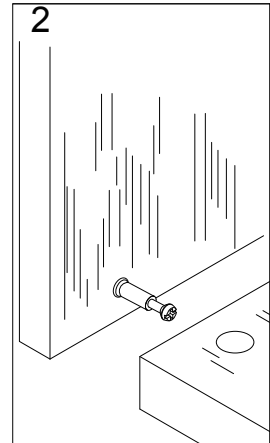
Step 1

Connect the male camlock as directed in the assembly instructions using a screwdriver.



Step 2

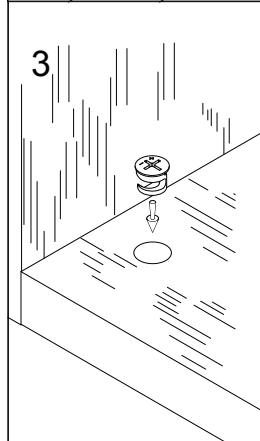
Push the male camlock into the entry hole.



Step 3

Insert the female camlock as shown in the instructions.

Note: ensure that the arrow on the top of the camlock points towards the entry hole for the male camlock.

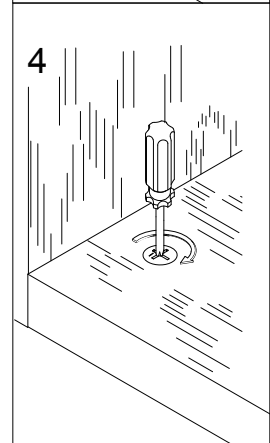


Step 4

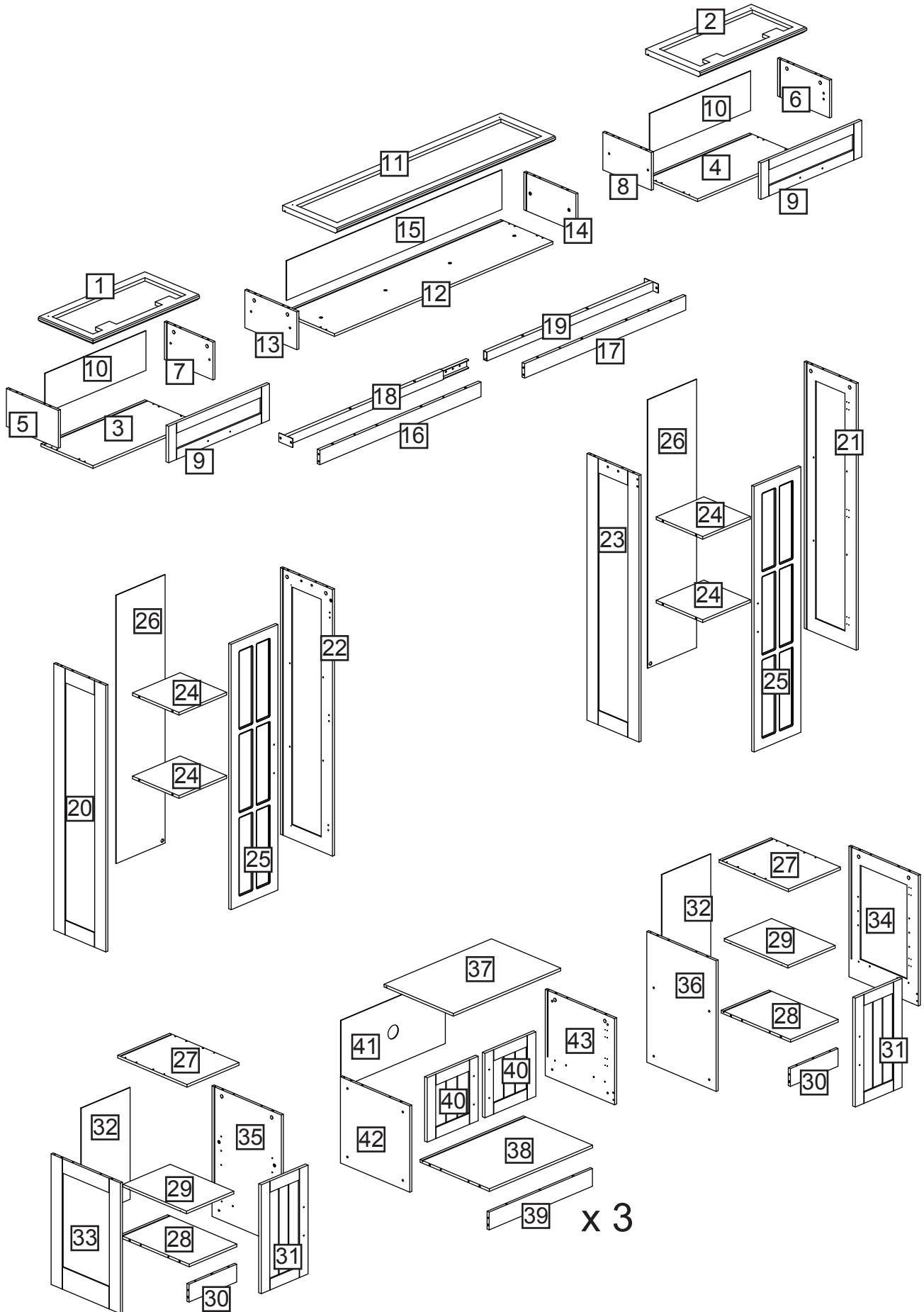
Turn the female camlock clockwise with a screwdriver.

You should feel a click when the camlock is locked in place.

The joint is now secure.

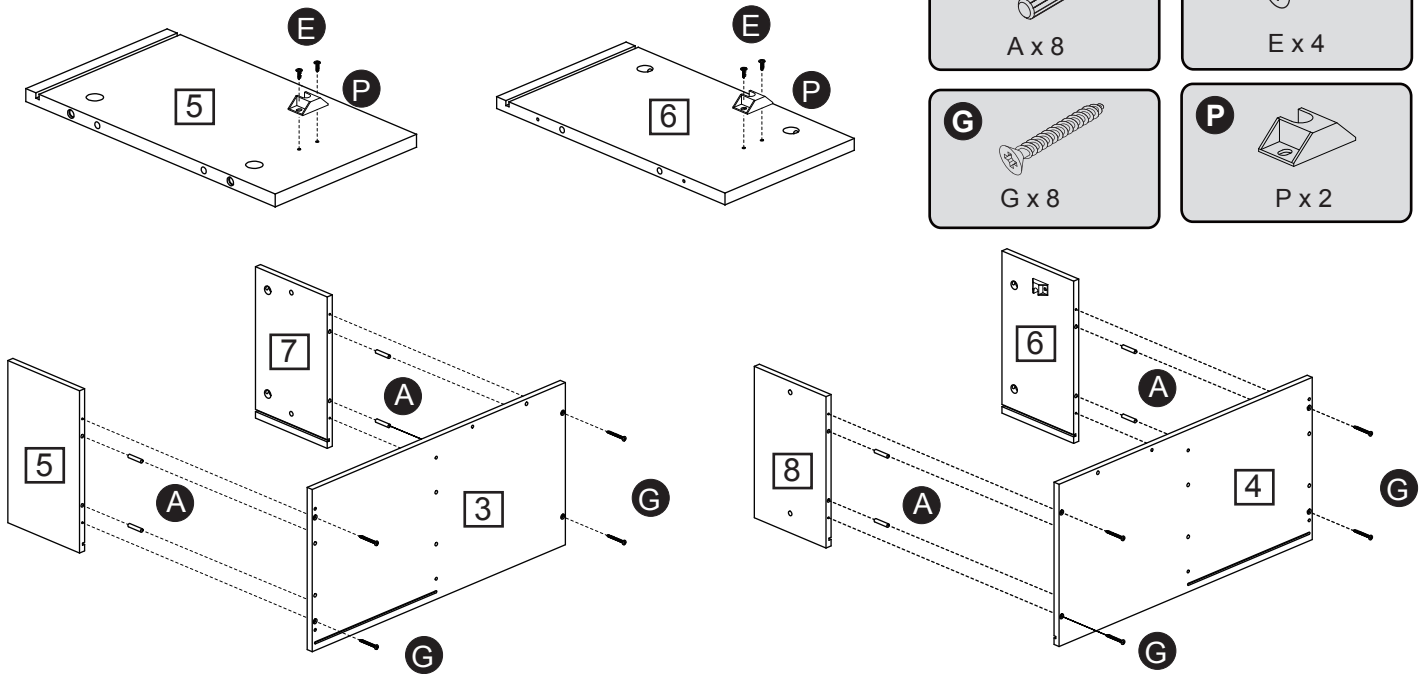


Assembly Instructions

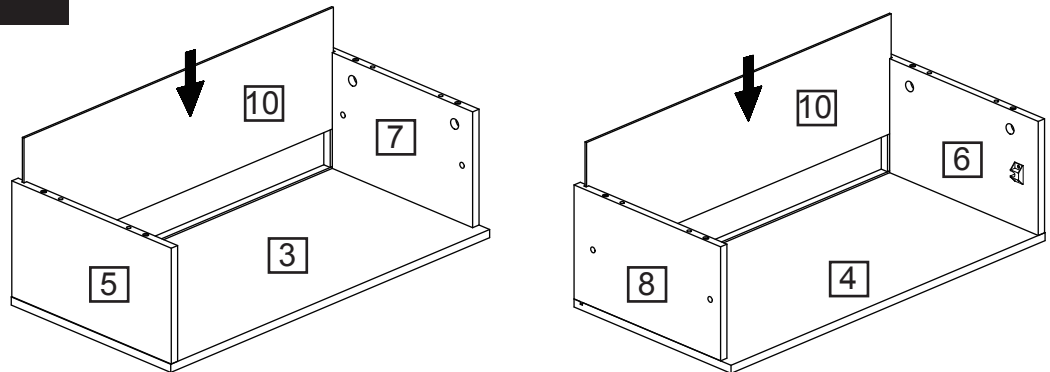


Assembly Instructions

Step 1

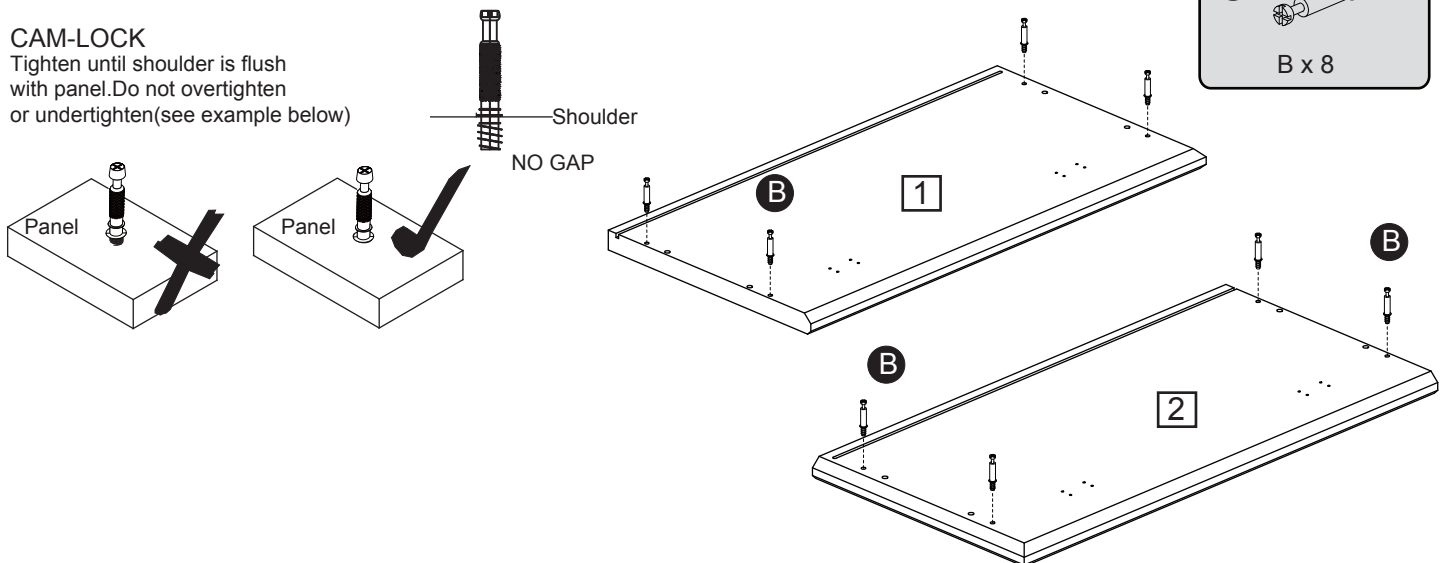


Step 2



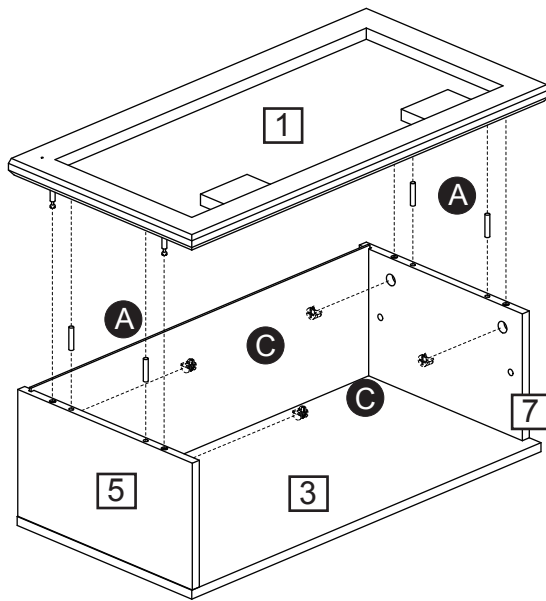
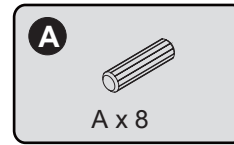
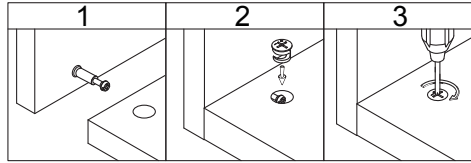
Step 3

CAM-LOCK
Tighten until shoulder is flush with panel. Do not overtighten or undertighten (see example below)



Assembly Instructions

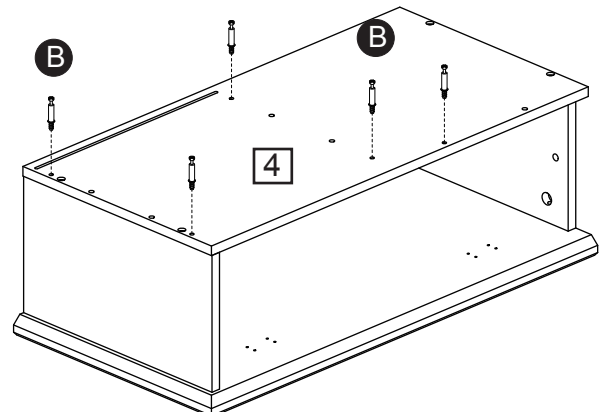
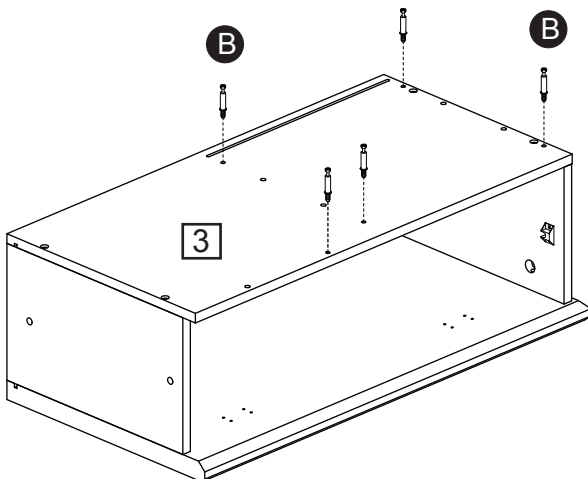
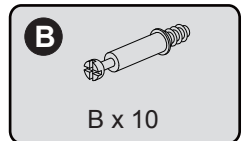
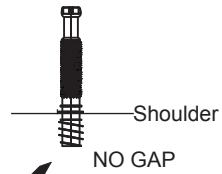
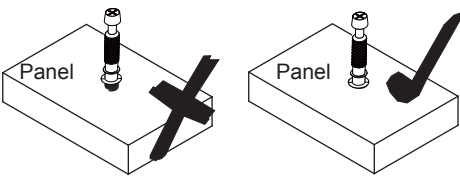
Step 4



Step 5

CAM-LOCK

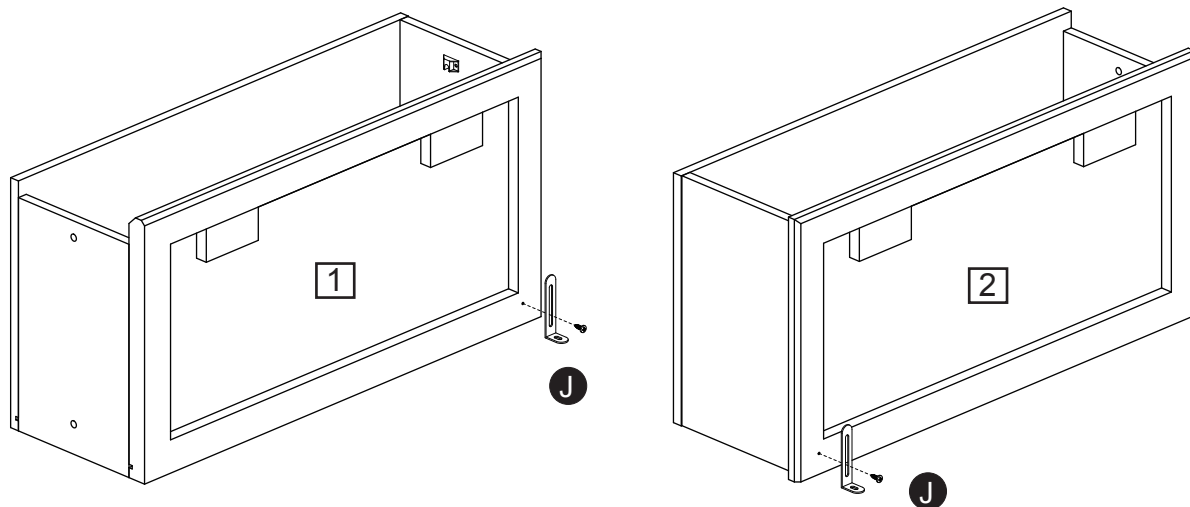
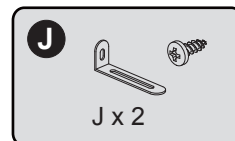
Tighten until shoulder is flush with panel. Do not overtighten or undertighten (see example below)



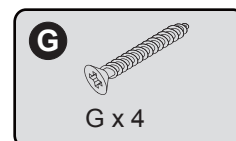
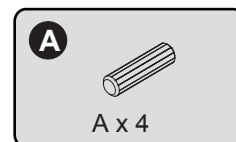
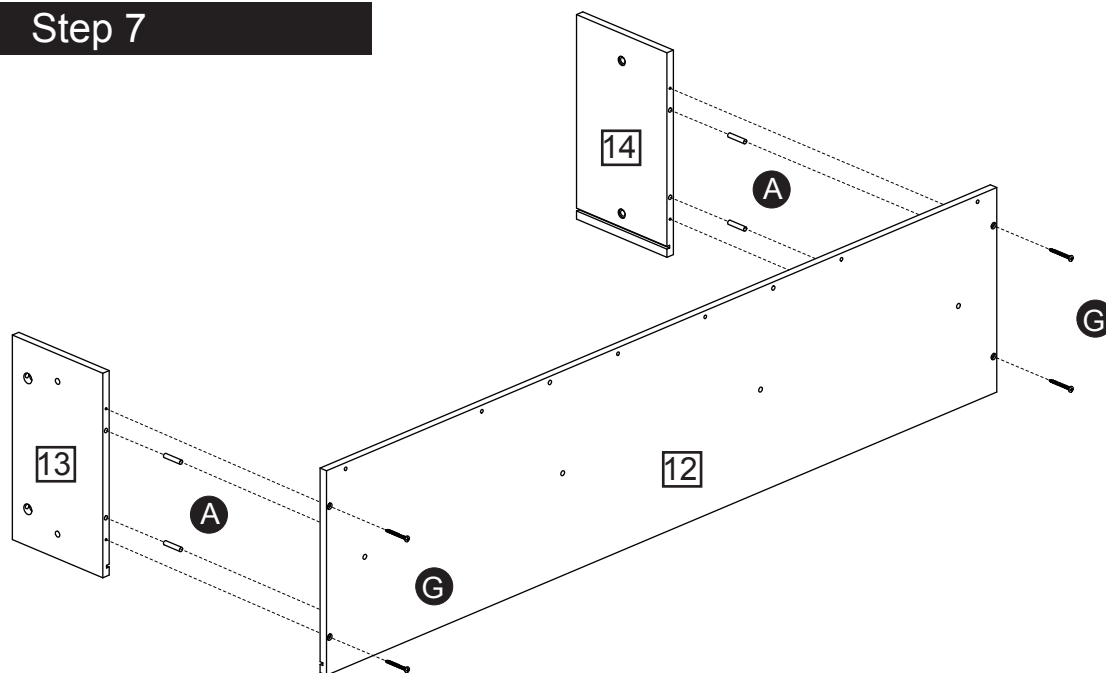
Assembly Instructions

Step 6

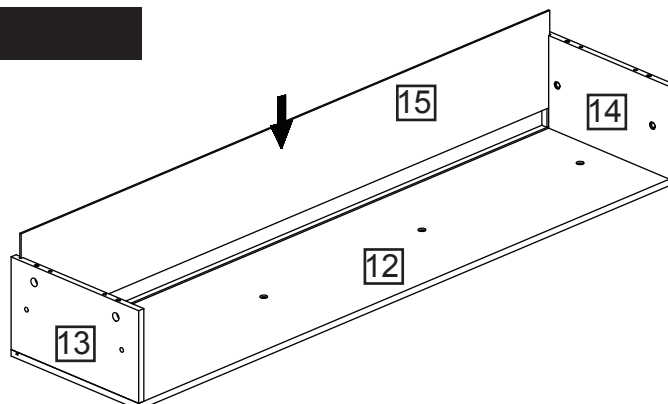
Do not fully tighten wall fixing brackets until it's ready to be fixed to the wall.



Step 7



Step 8

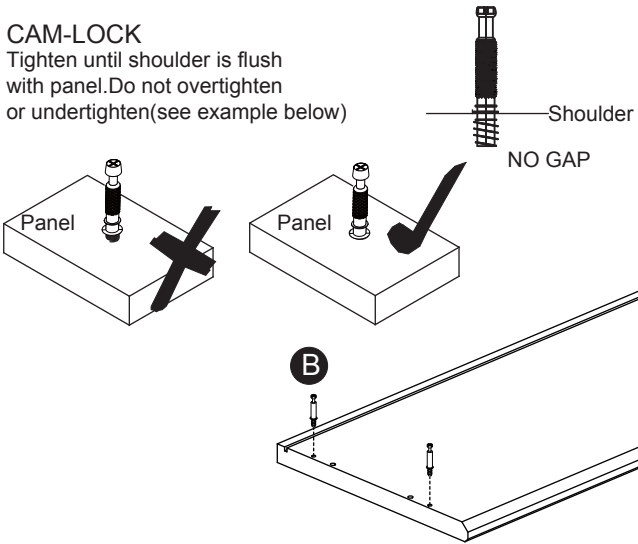


Assembly Instructions

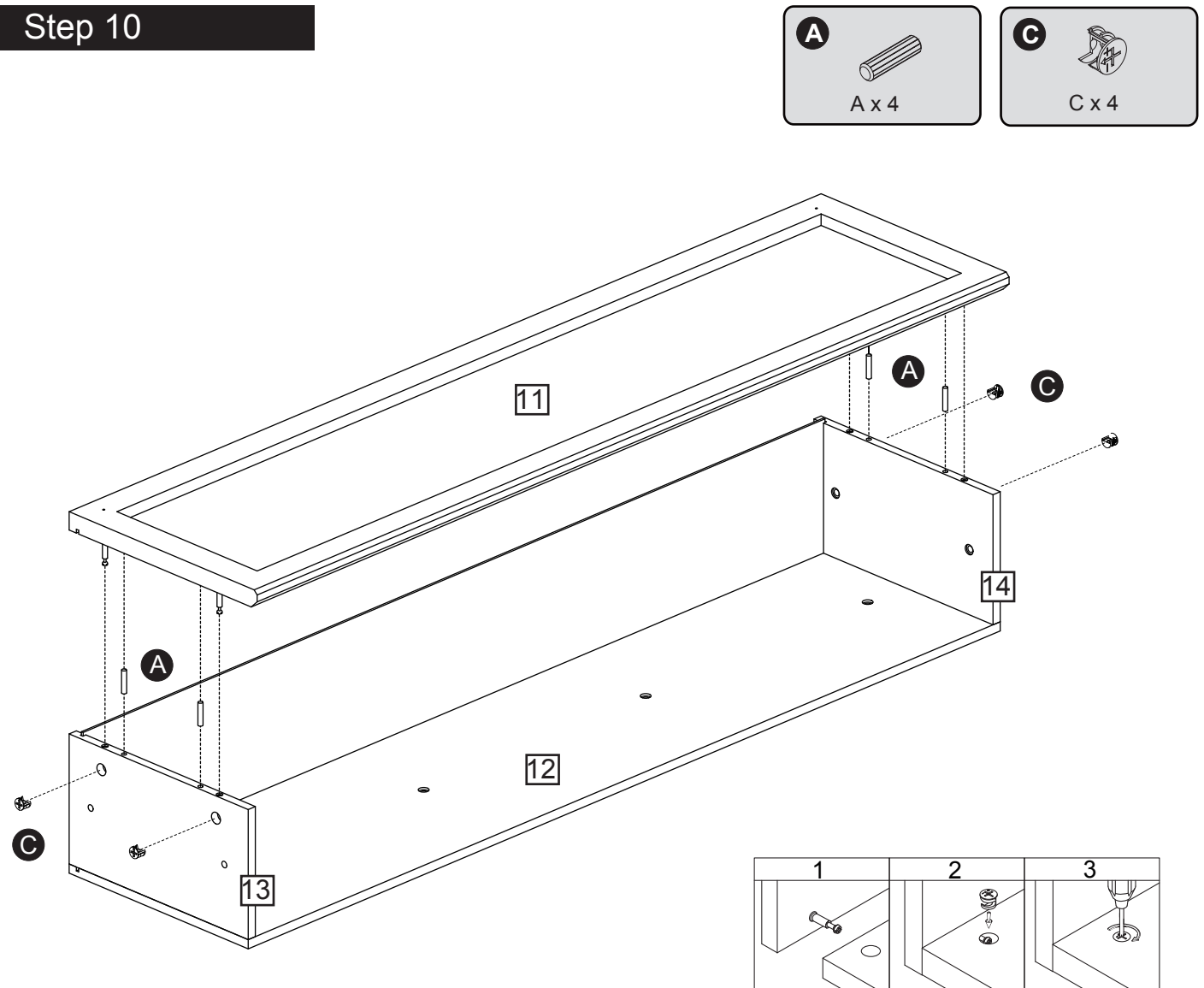
Step 9

CAM-LOCK

Tighten until shoulder is flush with panel. Do not overtighten or undertighten (see example below)



Step 10

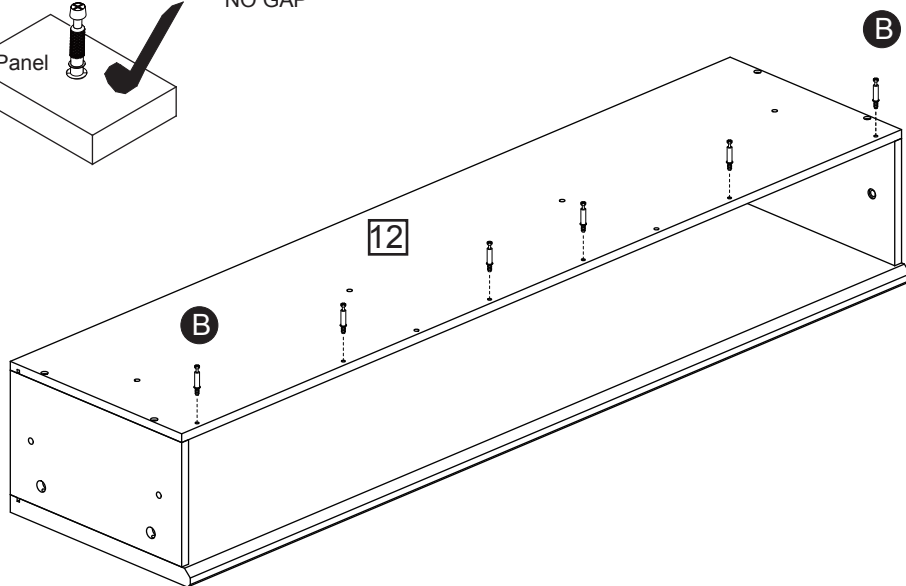
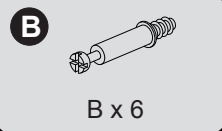
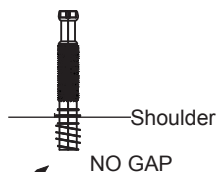
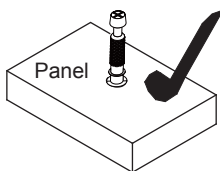
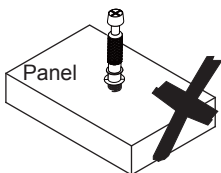


Assembly Instructions

Step 11

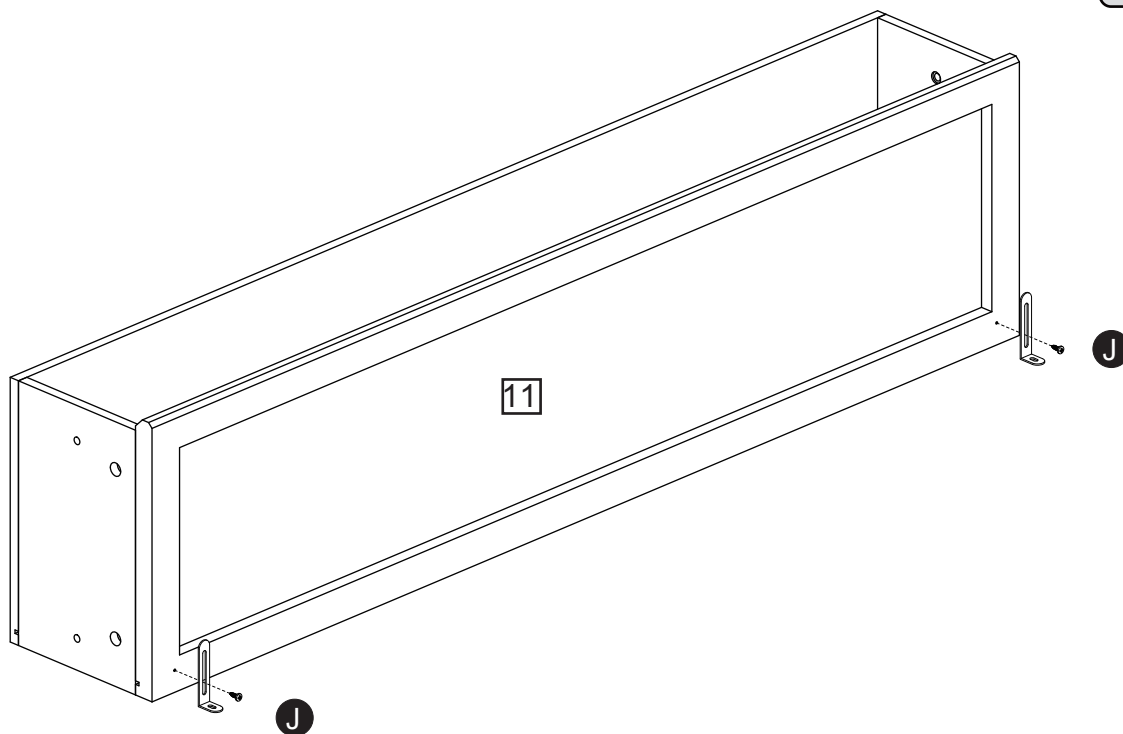
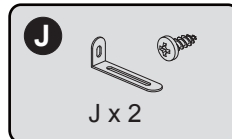
CAM-LOCK

Tighten until shoulder is flush with panel. Do not overtighten or undertighten (see example below)



Step 12

Do not fully tighten wall fixing brackets until it's ready to be fixed to the wall.

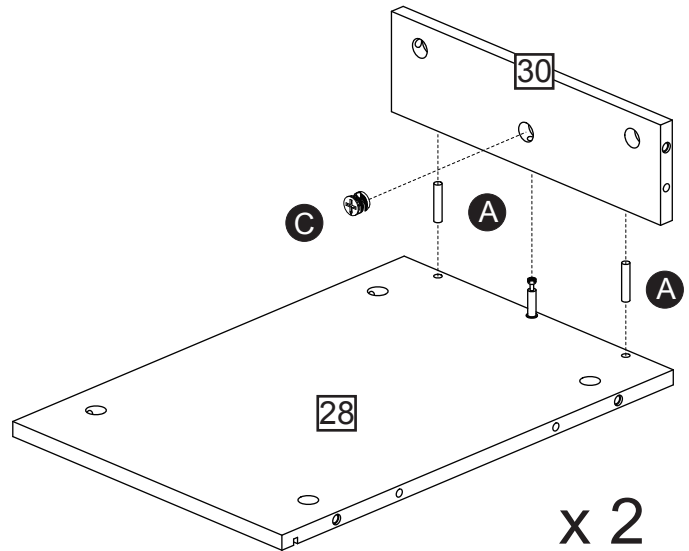
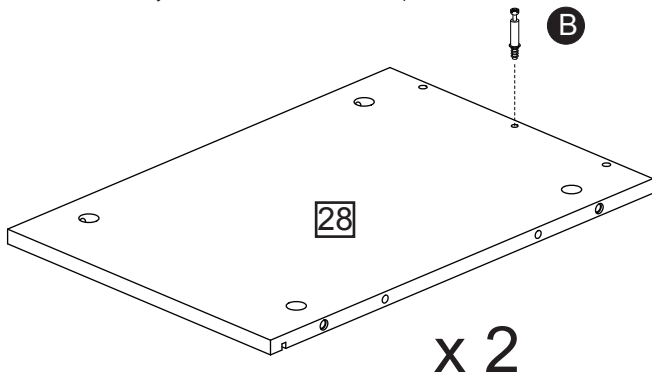
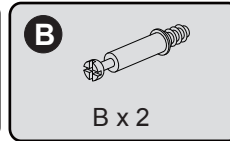
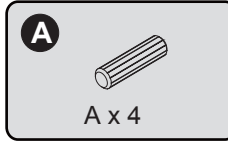
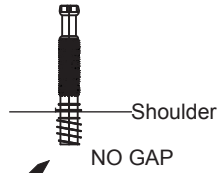
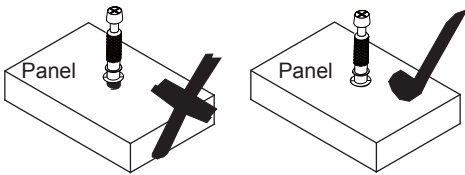


Assembly Instructions

Step 13

CAM-LOCK

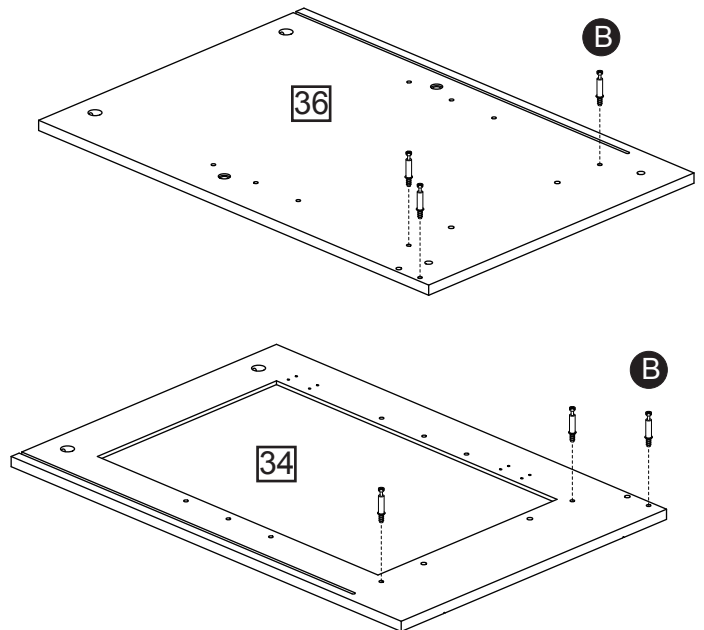
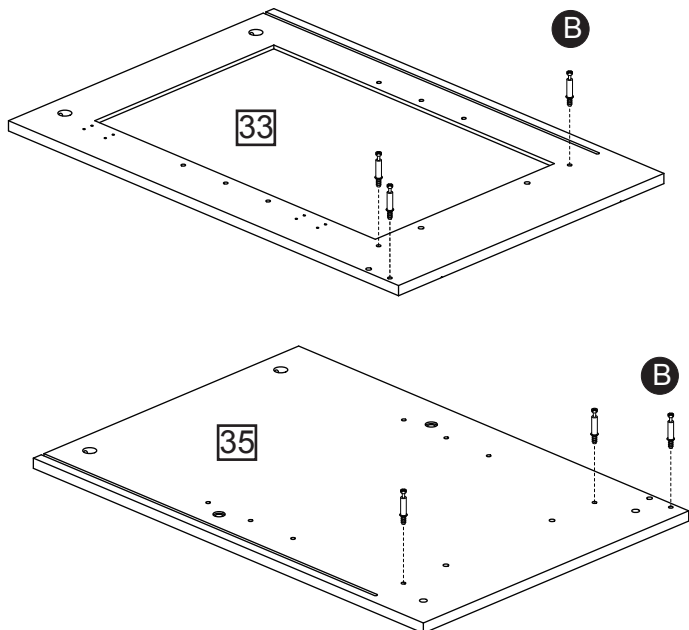
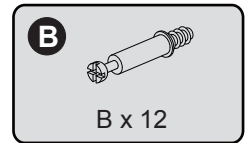
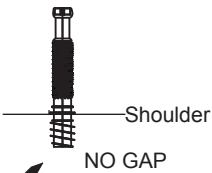
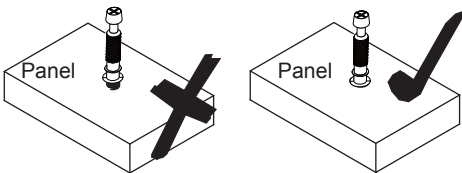
Tighten until shoulder is flush with panel. Do not overtighten or undertighten (see example below)



Step 14

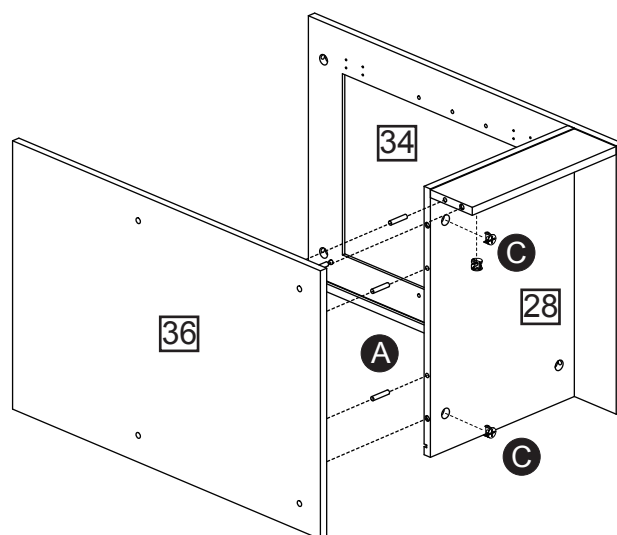
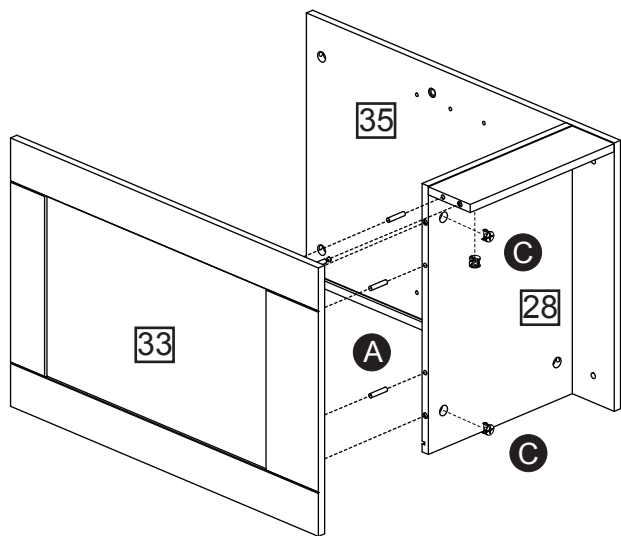
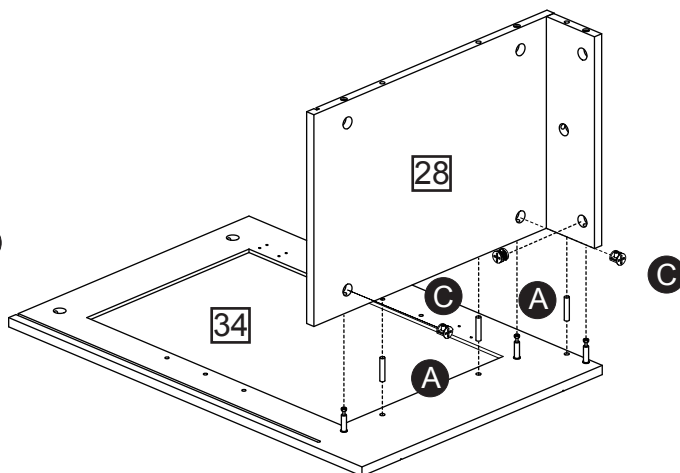
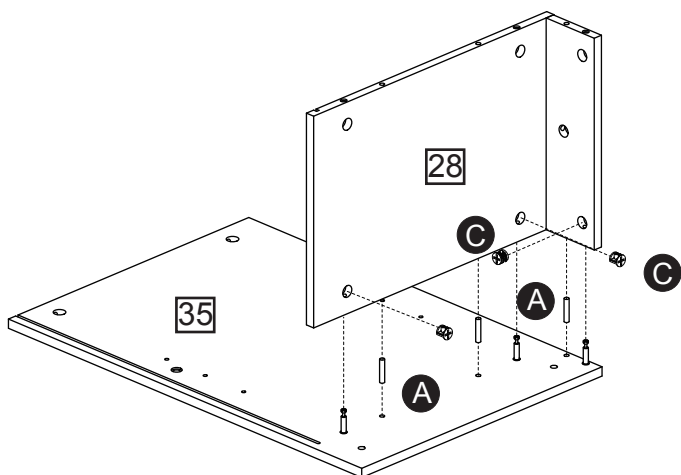
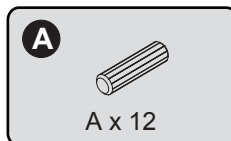
CAM-LOCK

Tighten until shoulder is flush with panel. Do not overtighten or undertighten (see example below)

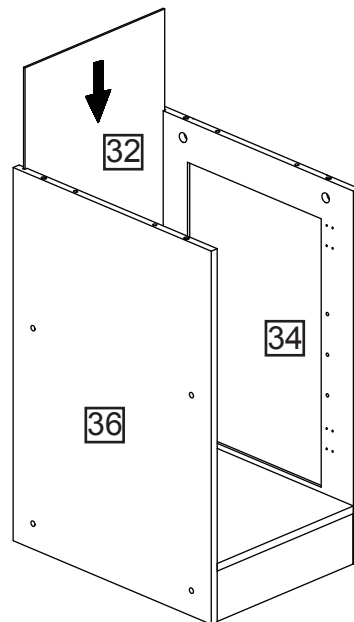
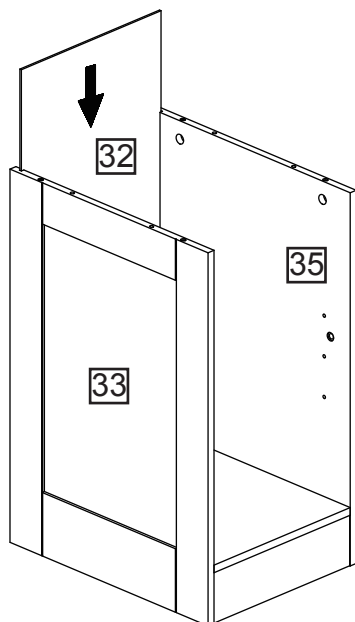


Assembly Instructions

Step 15



Step 16

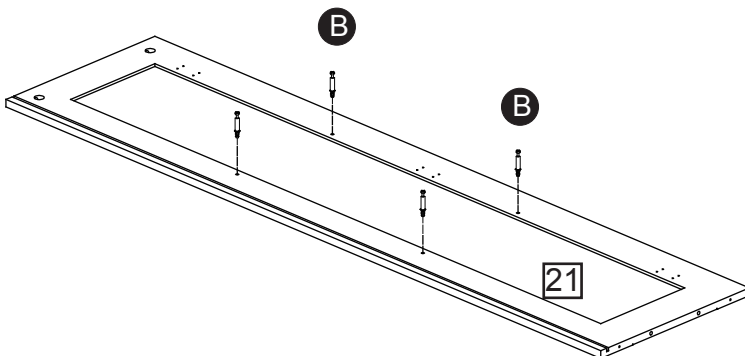
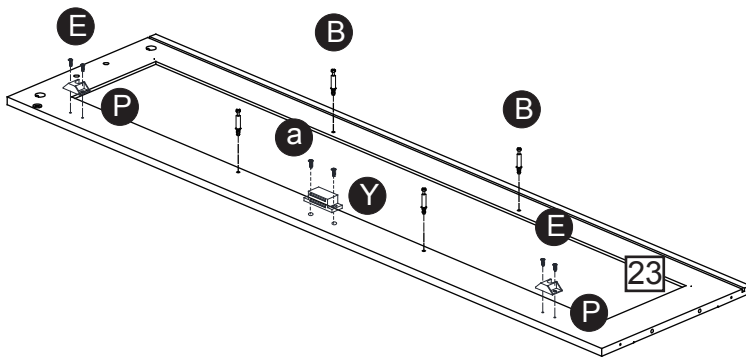
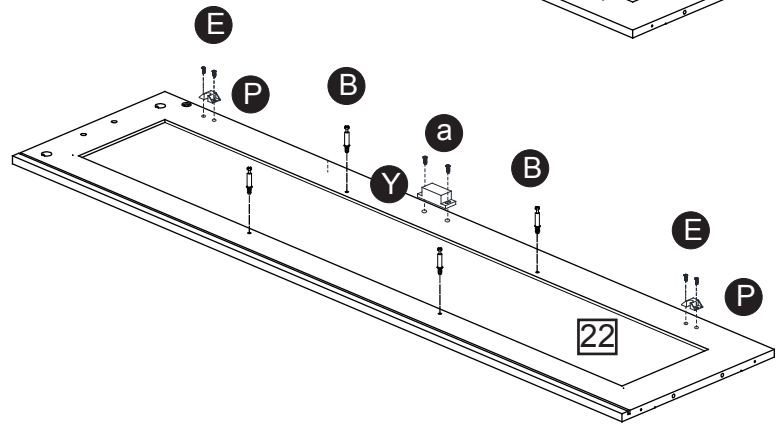
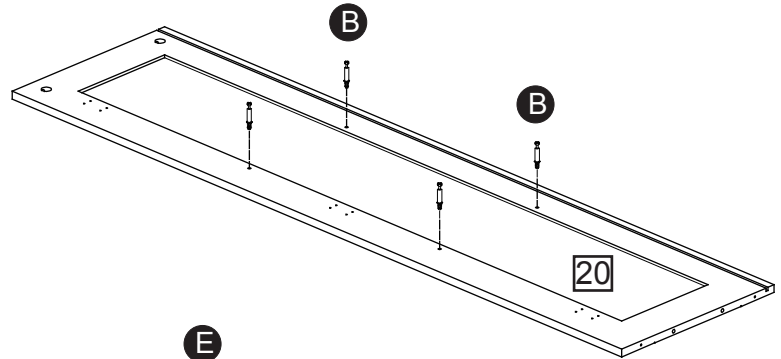
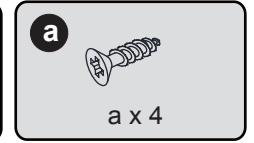
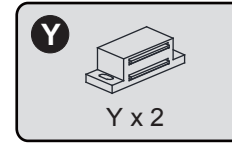
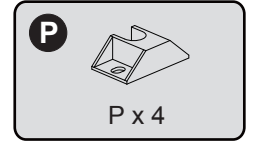
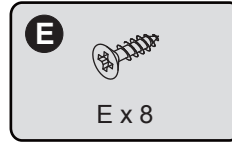
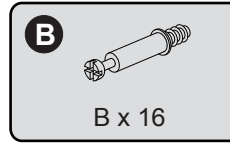
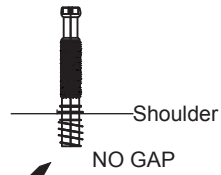
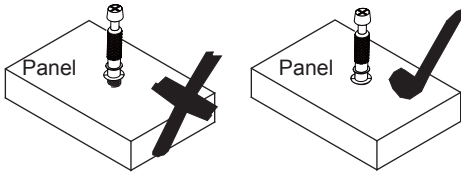


Assembly Instructions

Step 17

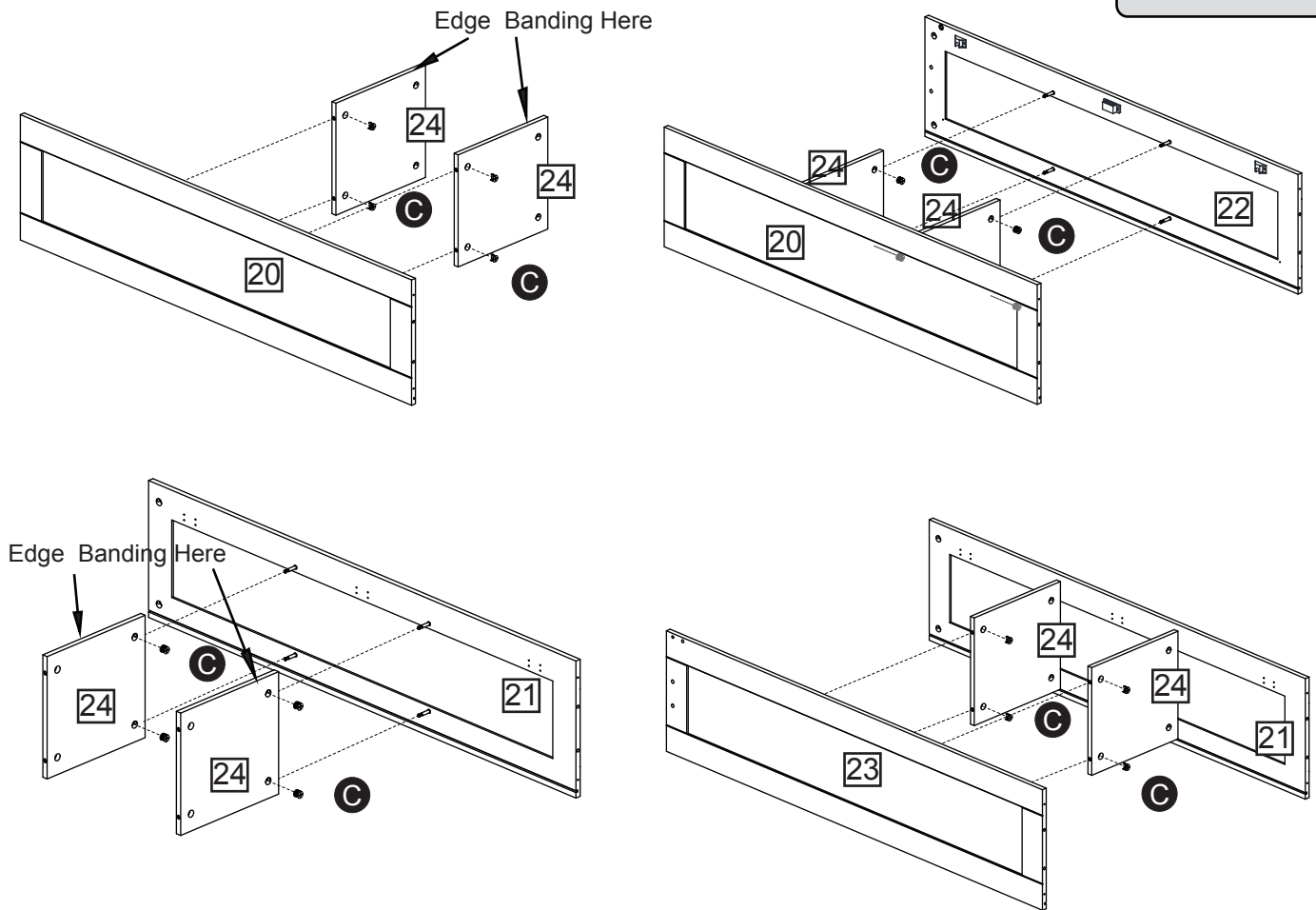
CAM-LOCK

Tighten until shoulder is flush with panel. Do not overtighten or undertighten (see example below)

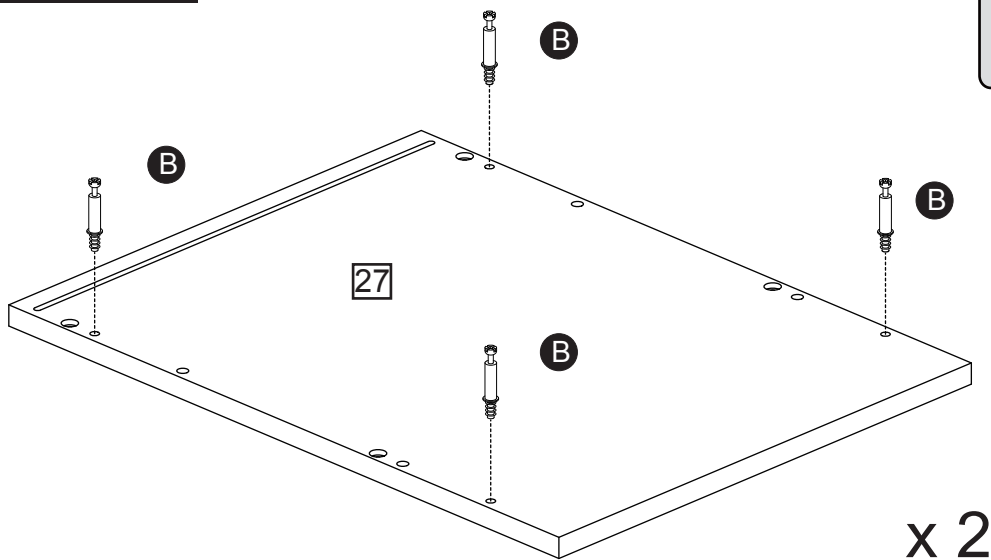
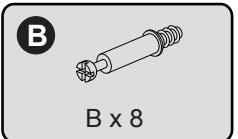


Assembly Instructions

Step 18

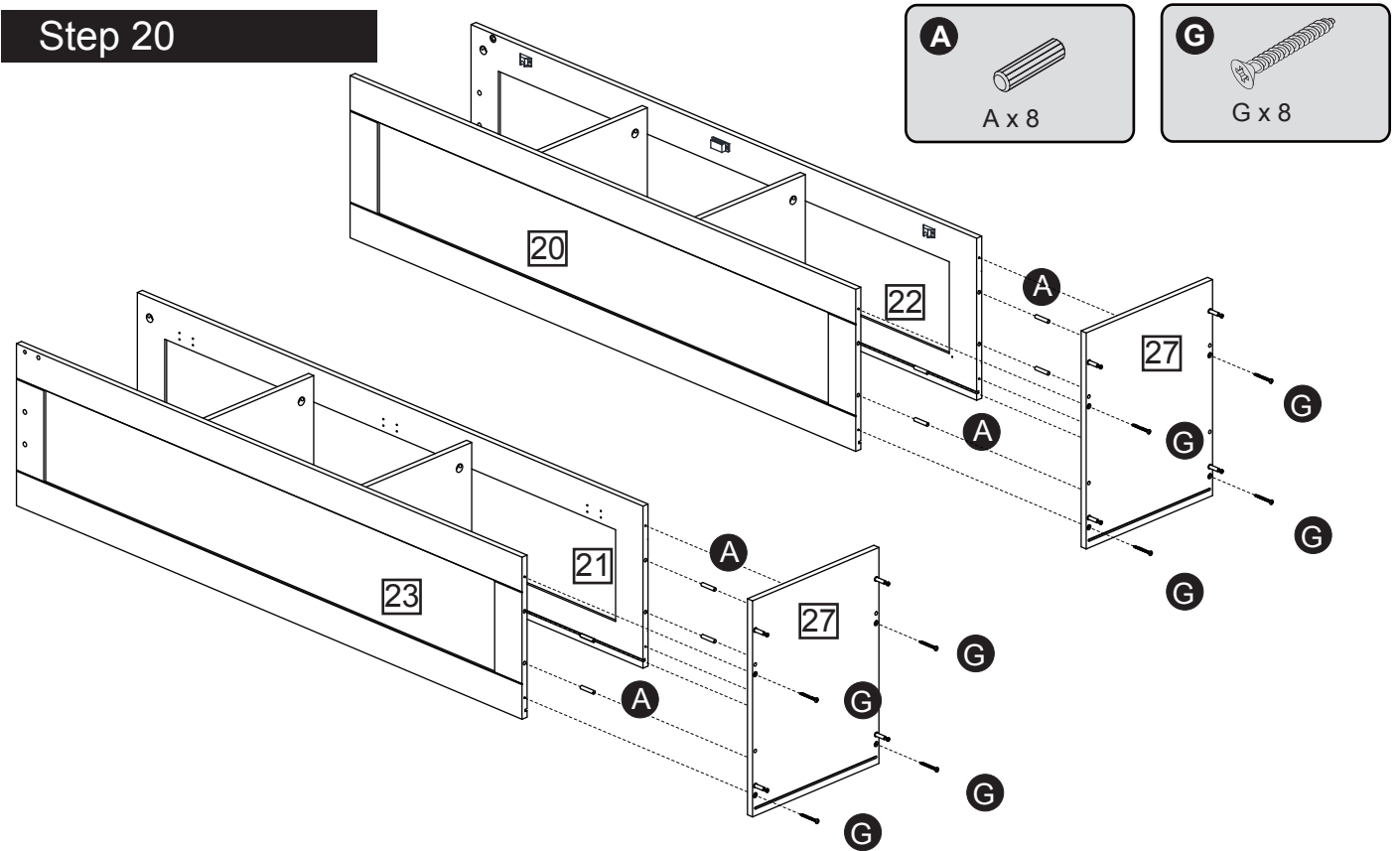


Step 19

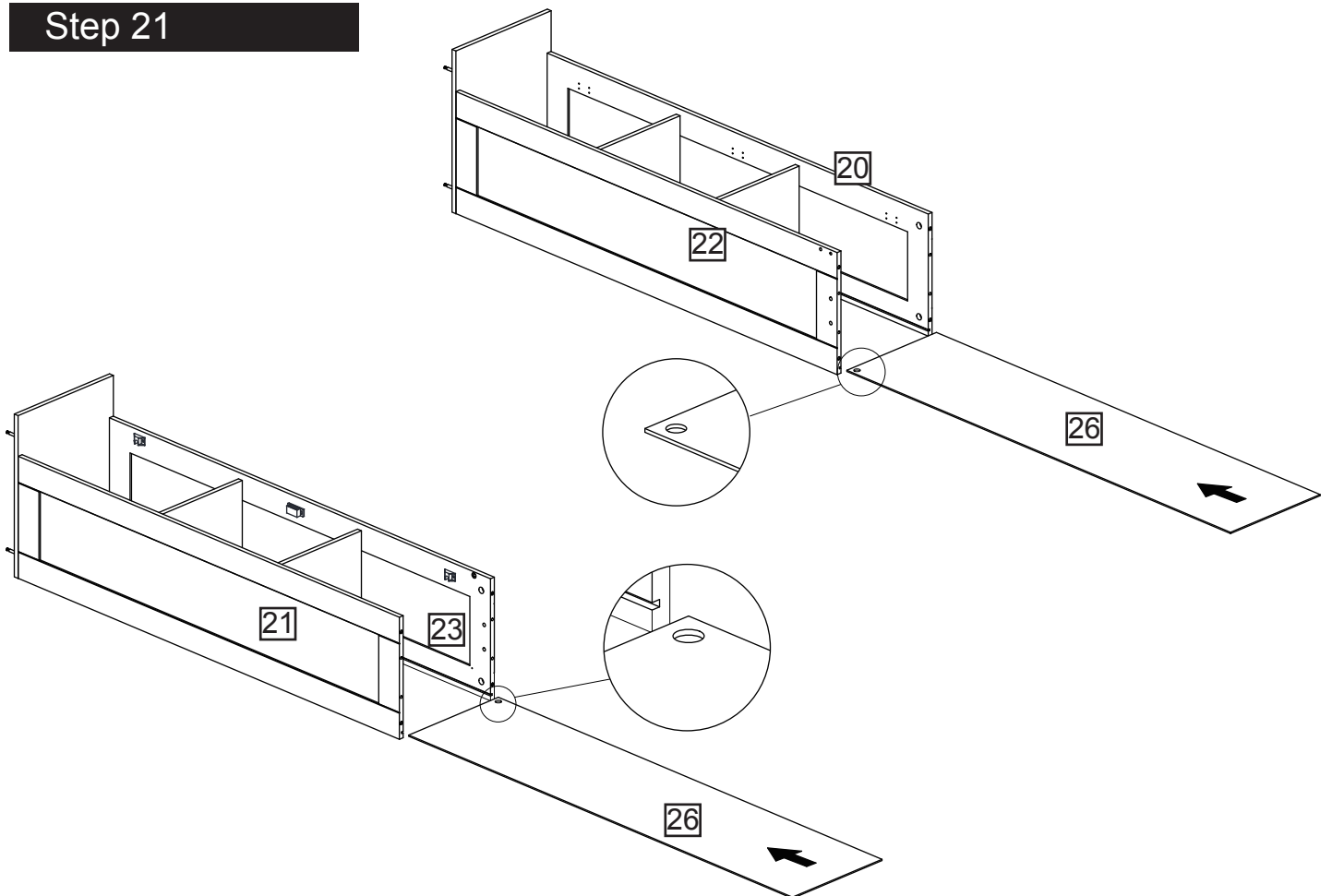


Assembly Instructions

Step 20

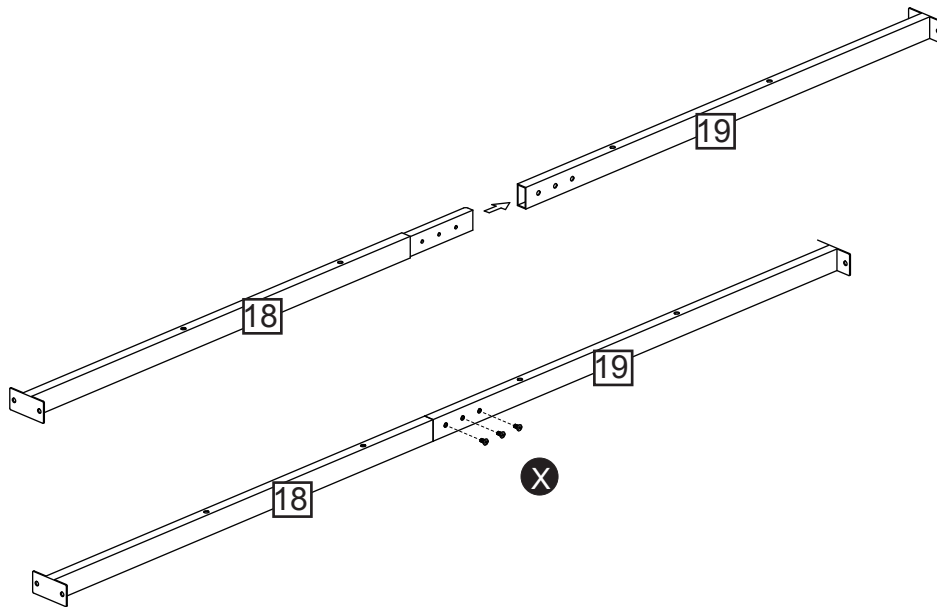
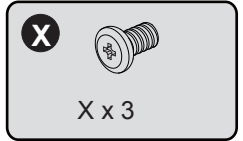


Step 21

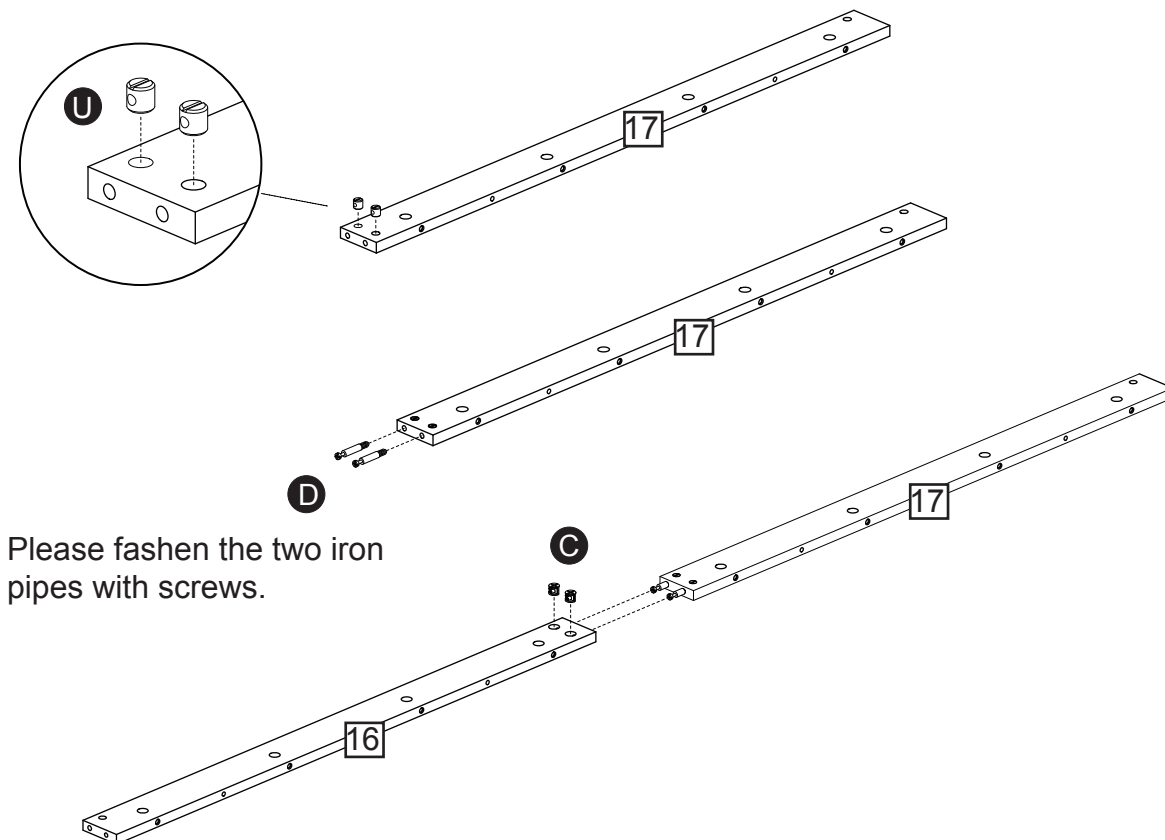
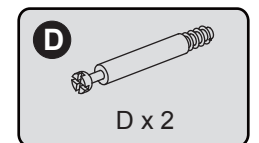
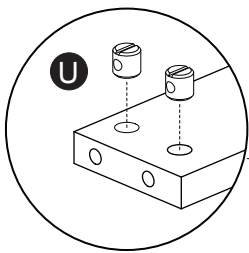


Assembly Instructions

Step 22



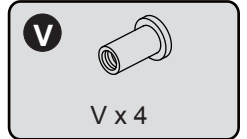
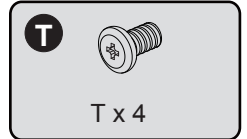
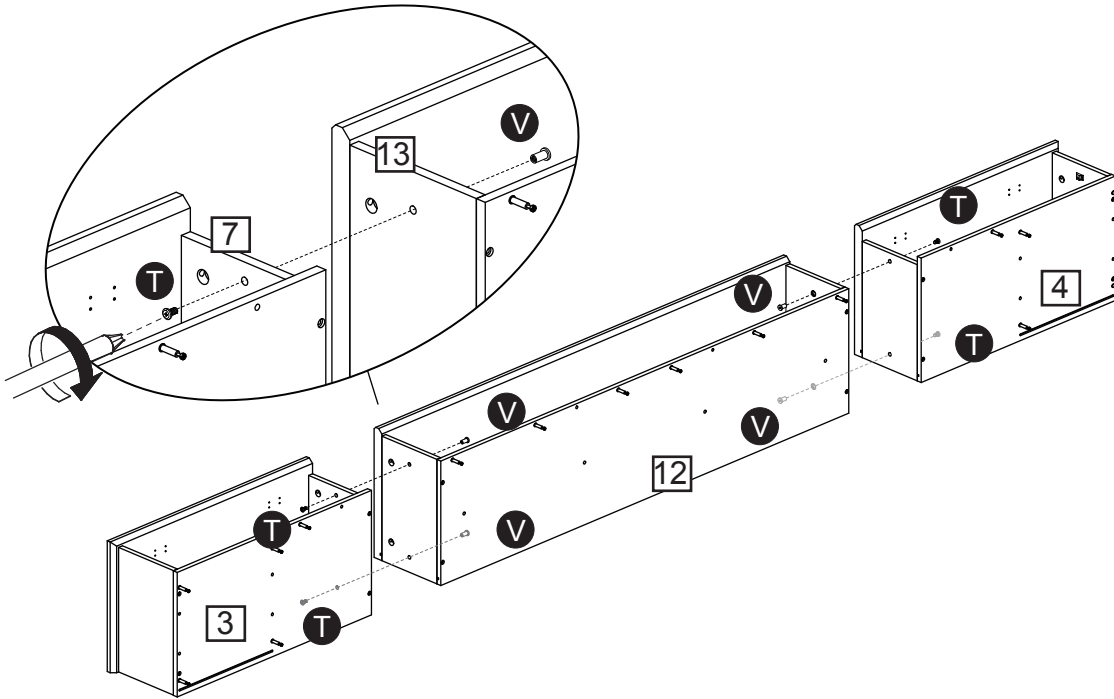
Step 23



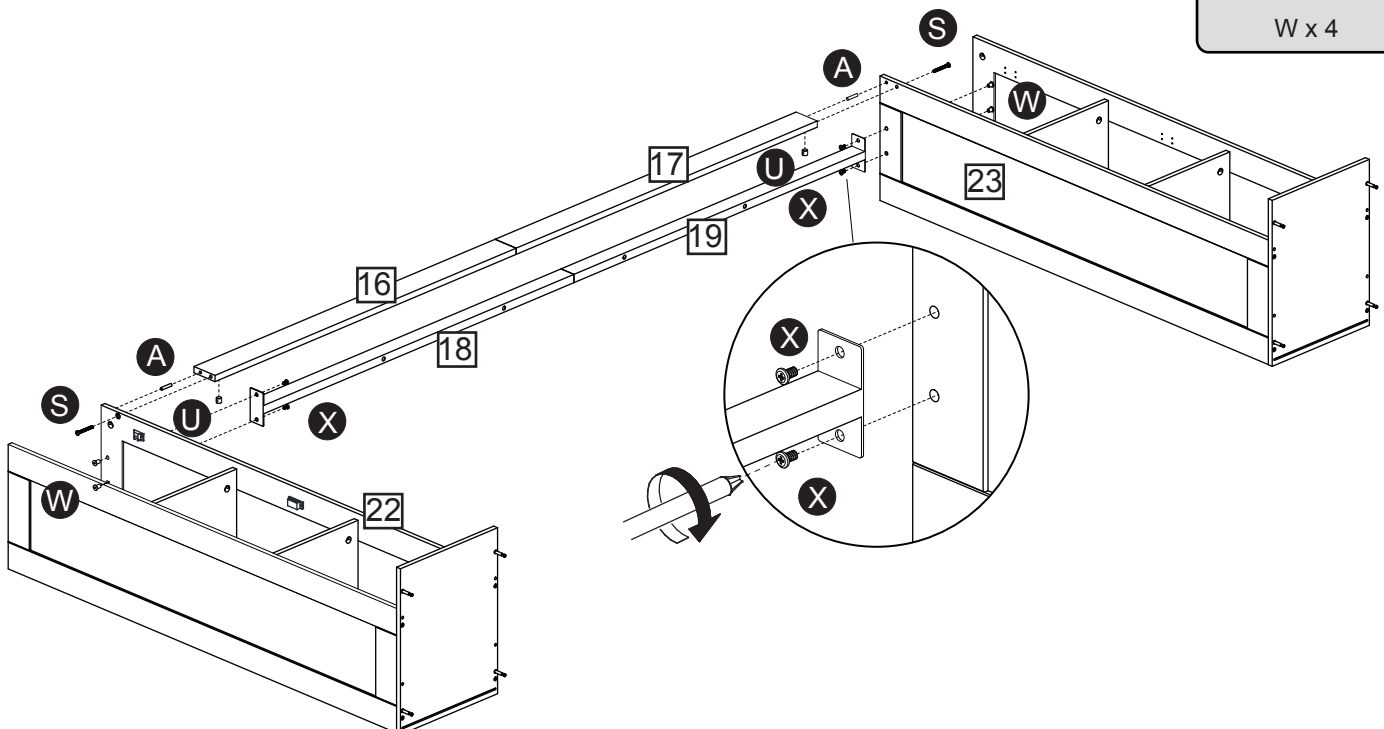
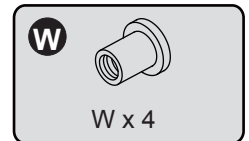
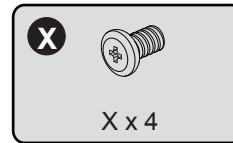
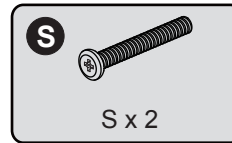
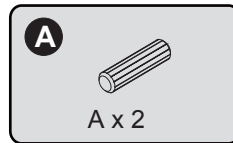
Please fashen the two iron pipes with screws.

Assembly Instructions

Step 24

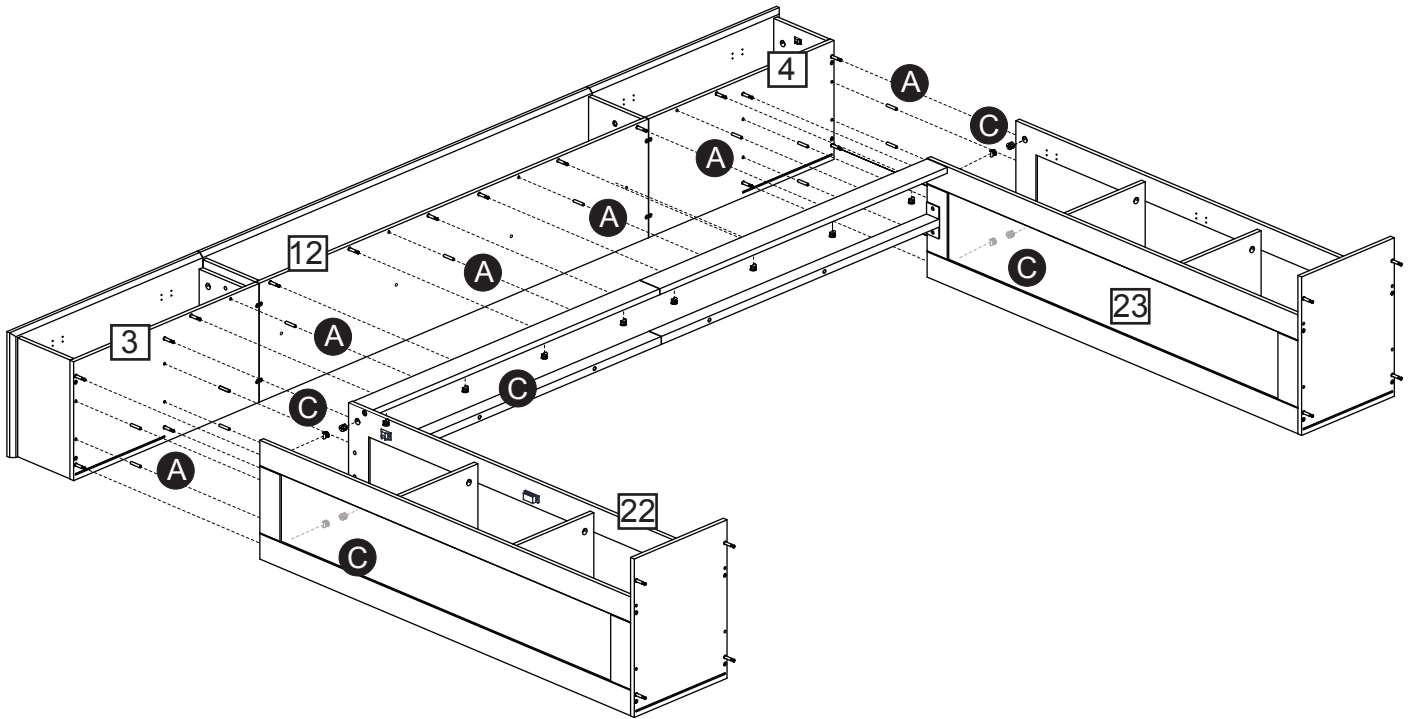
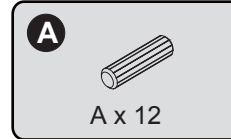


Step 25

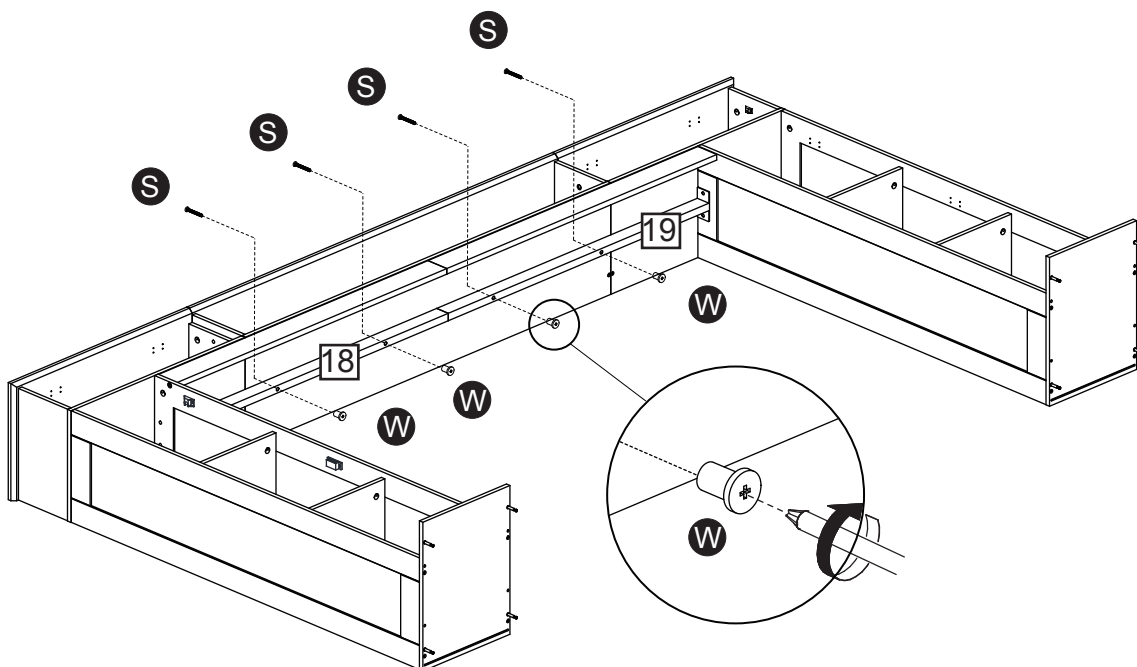
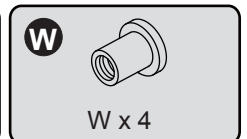
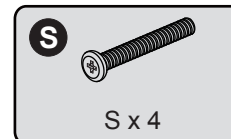


Assembly Instructions

Step 26

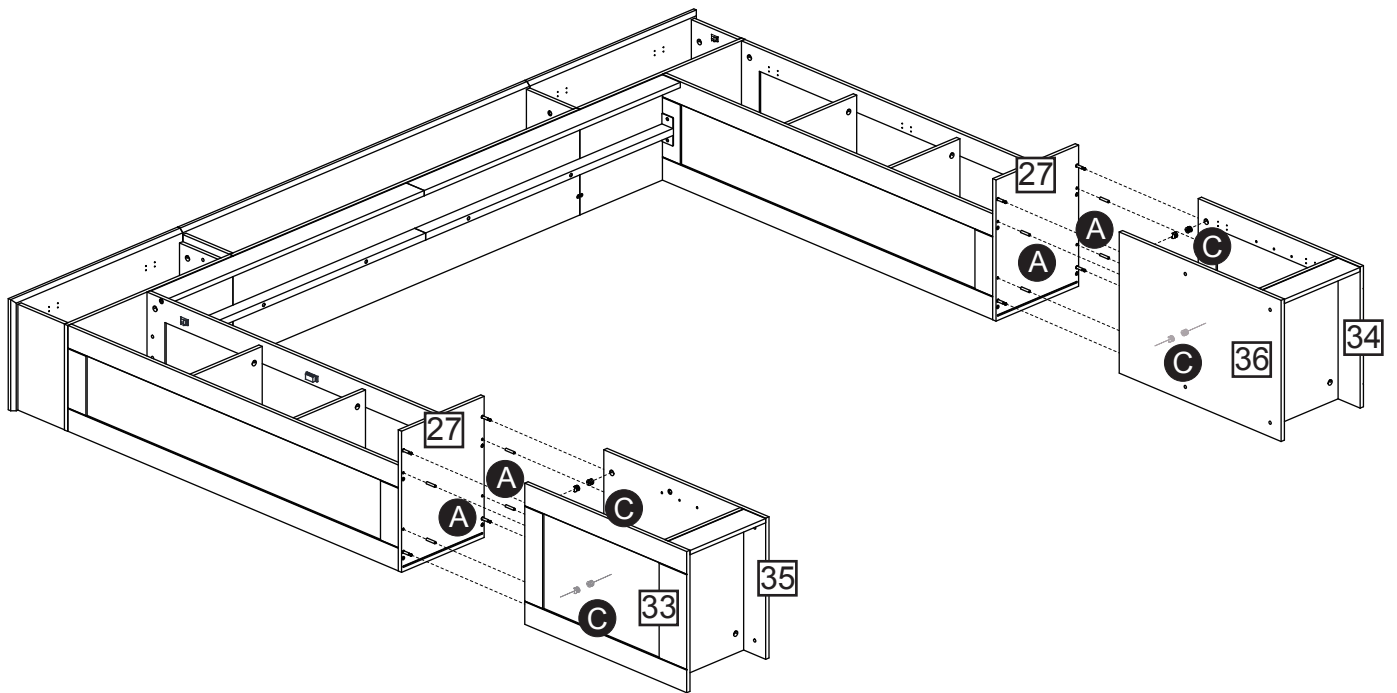
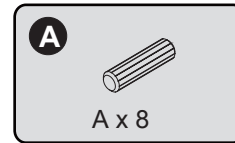


Step 27



Assembly Instructions

Step 28

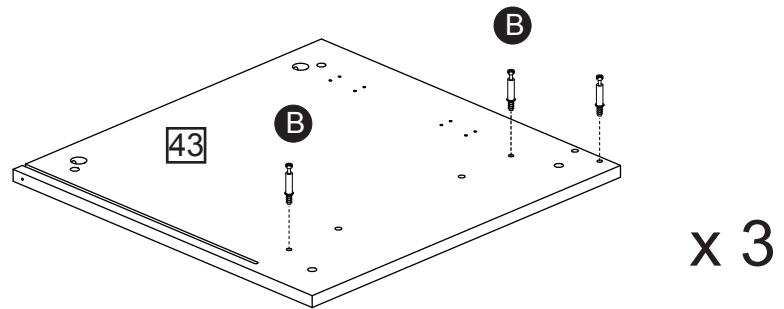
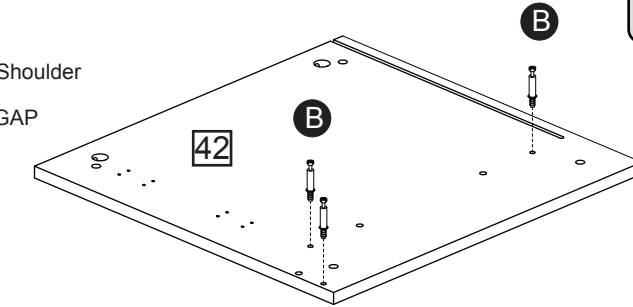
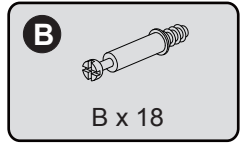
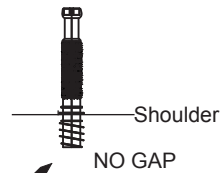
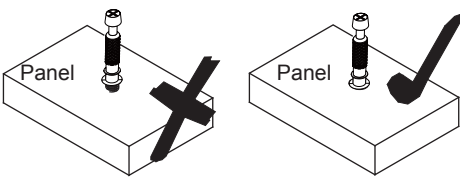


Assembly Instructions

Step 29

CAM-LOCK

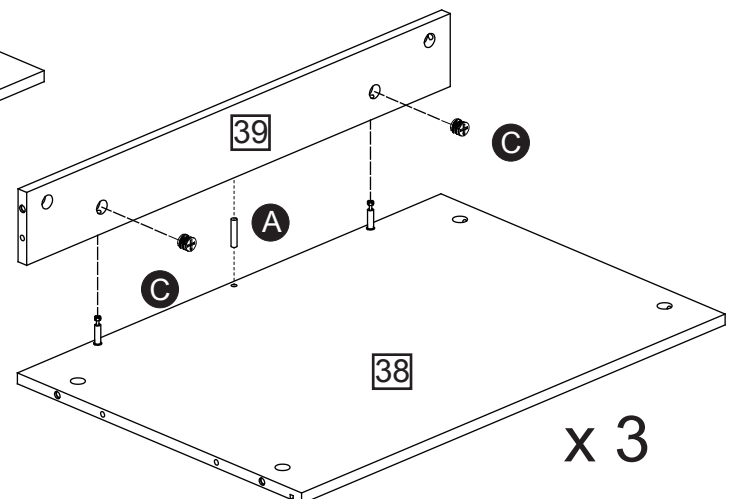
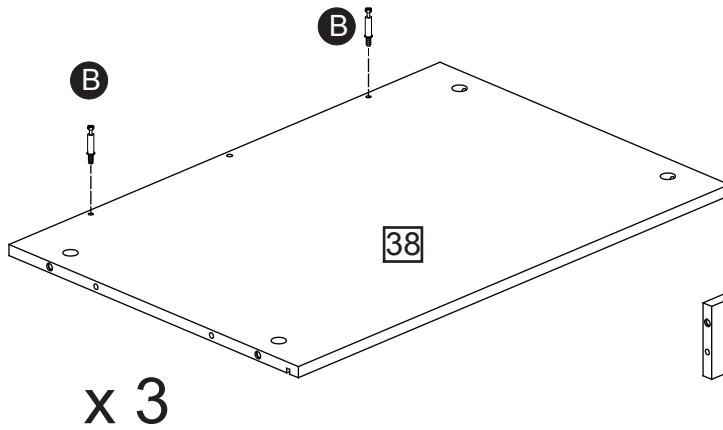
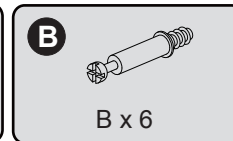
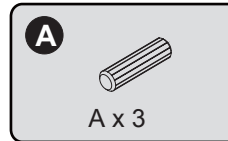
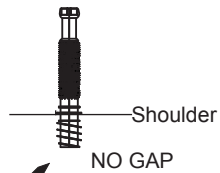
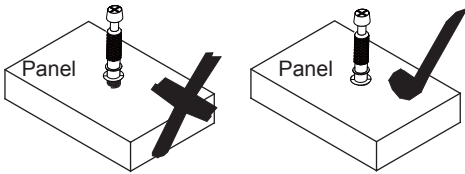
Tighten until shoulder is flush with panel. Do not overtighten or undertighten (see example below)



Step 30

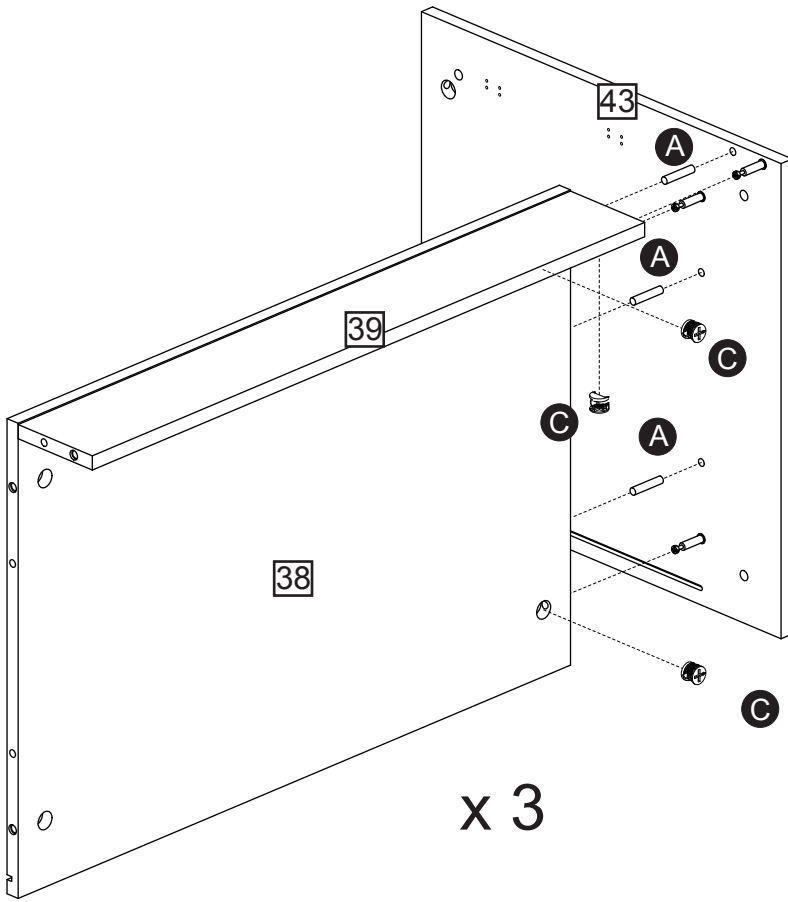
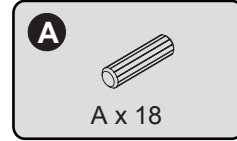
CAM-LOCK

Tighten until shoulder is flush with panel. Do not overtighten or undertighten (see example below)

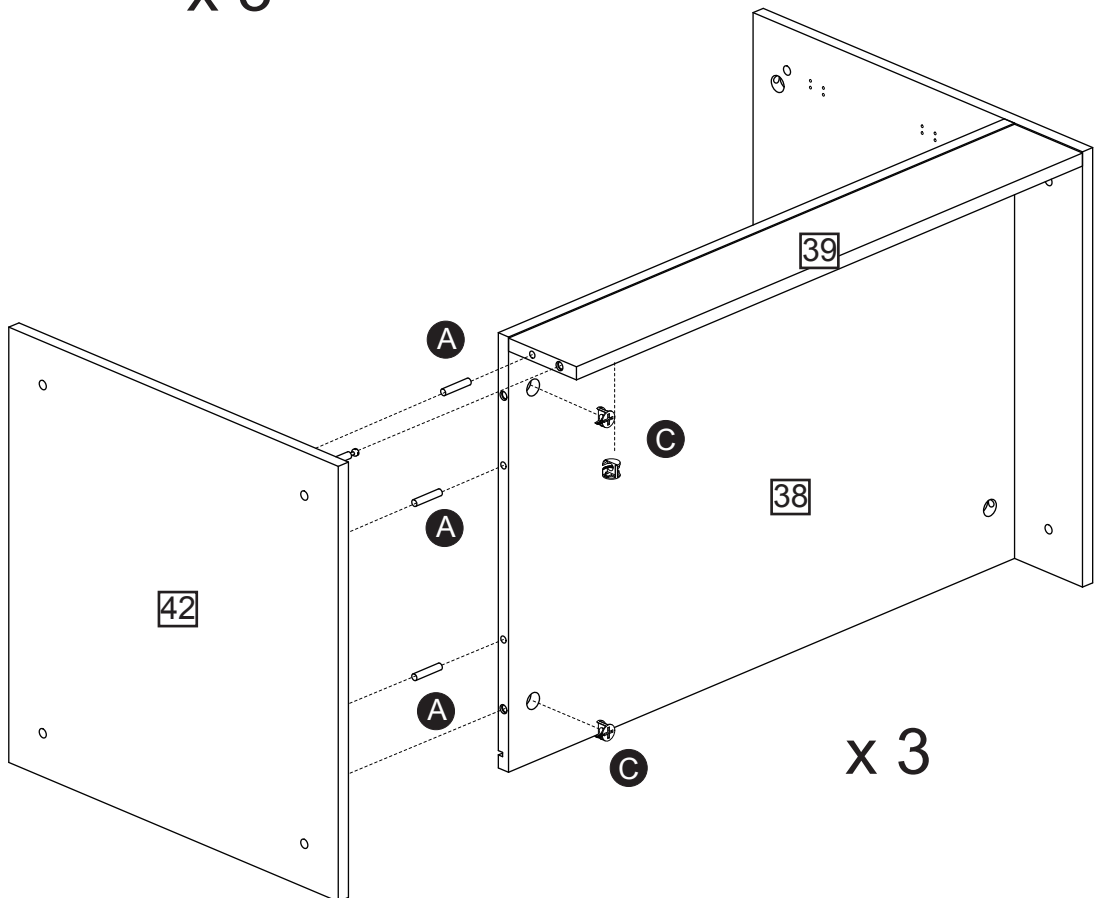


Assembly Instructions

Step 31



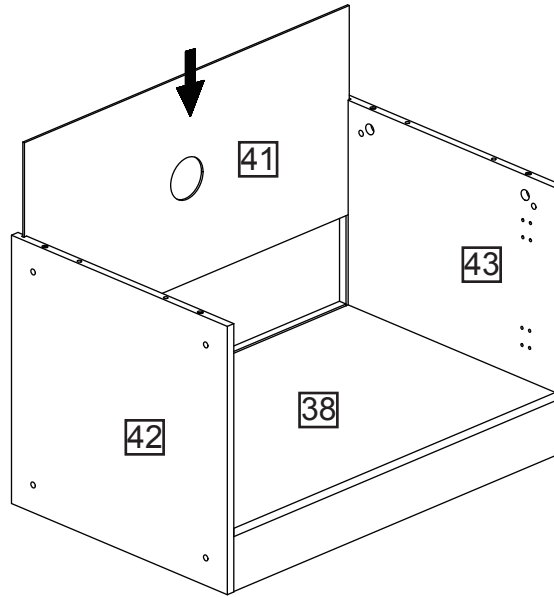
x 3



x 3

Assembly Instructions

Step 32

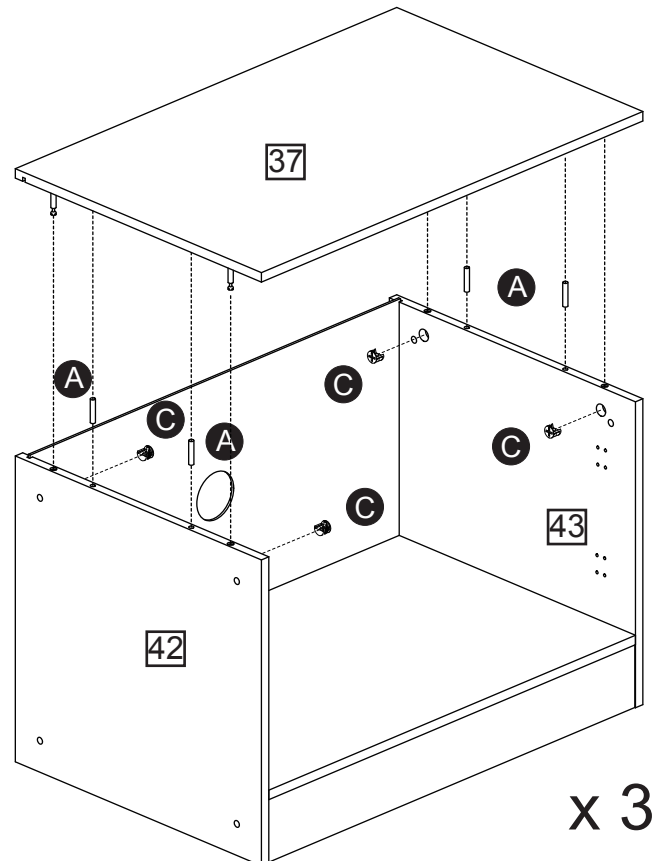
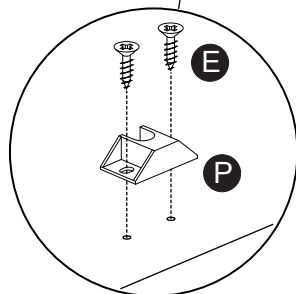
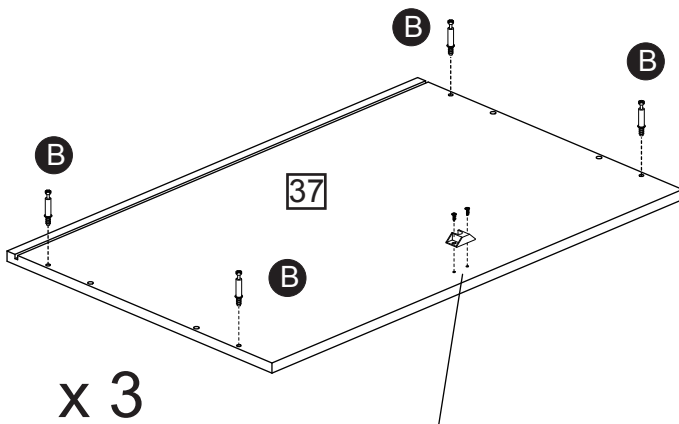
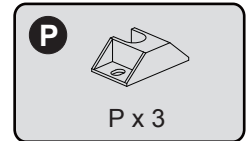
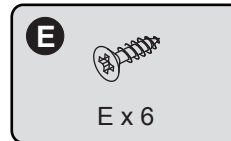
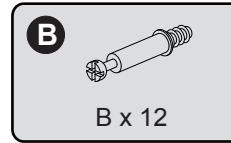
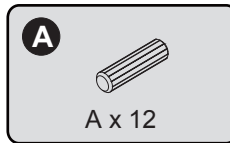
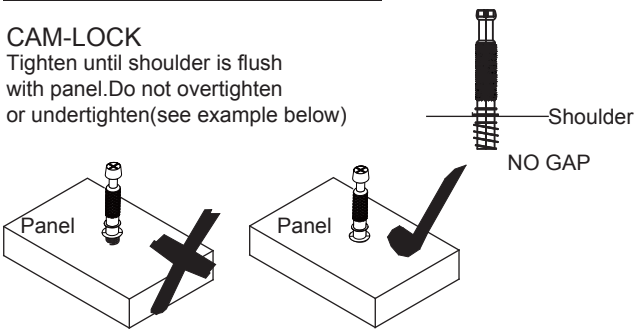


x 3

Step 33

CAM-LOCK

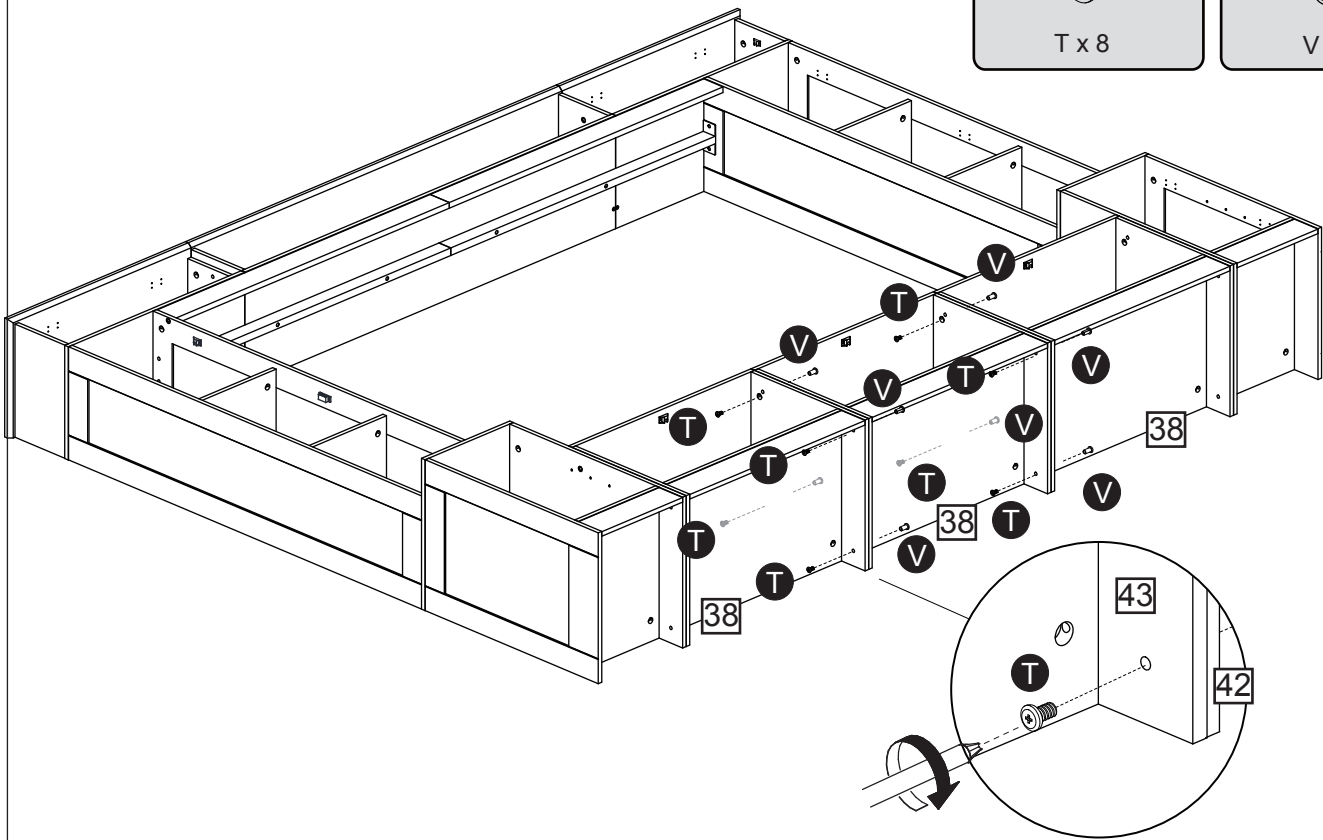
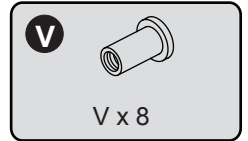
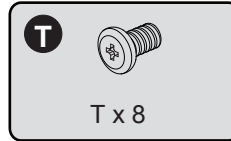
Tighten until shoulder is flush with panel. Do not overtighten or undertighten (see example below)



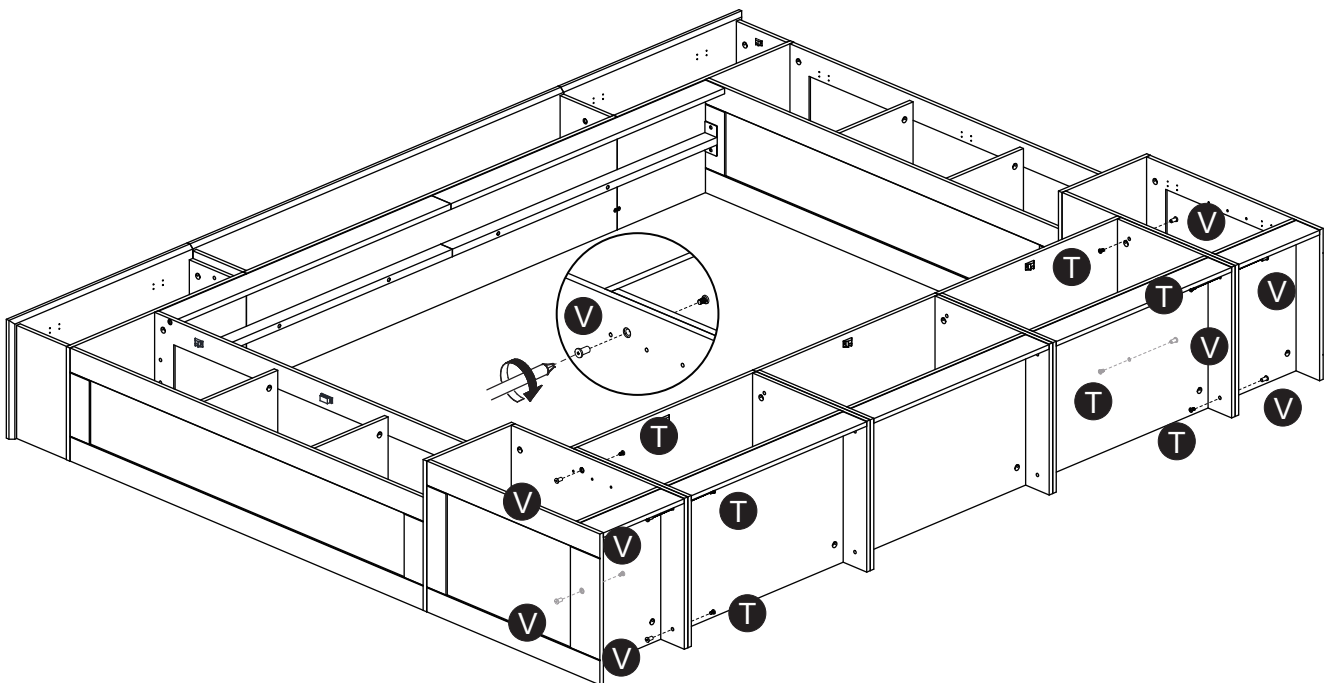
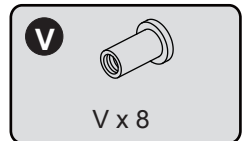
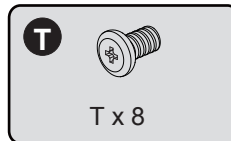
x 3

Assembly Instructions

Step 34

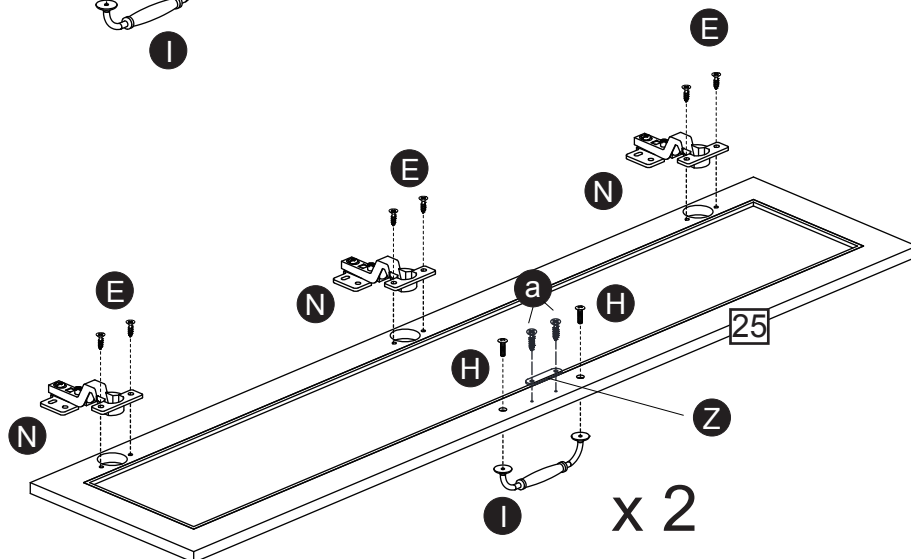
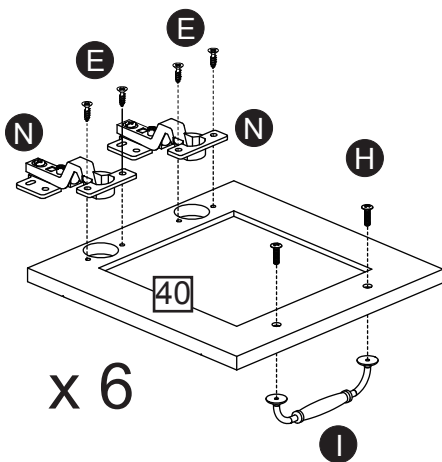
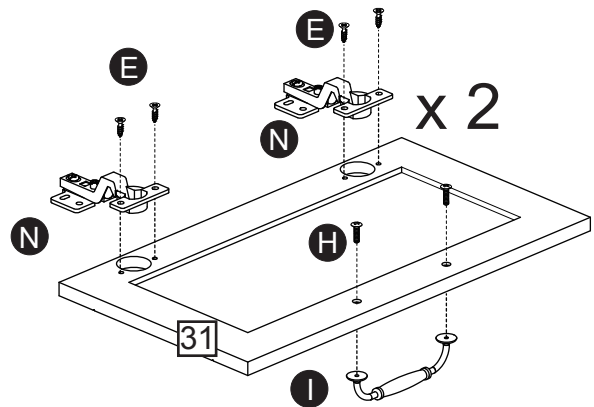
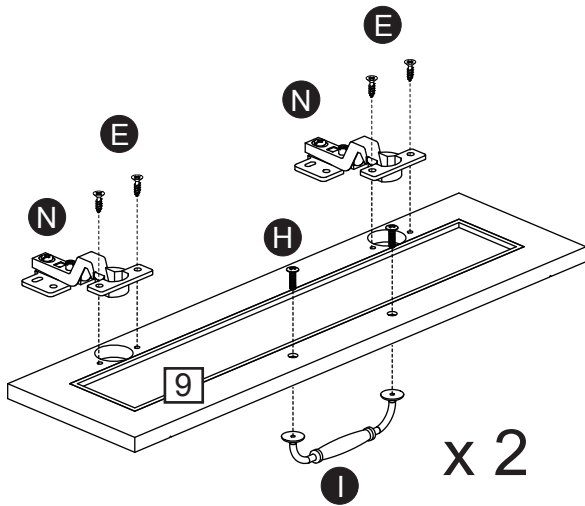
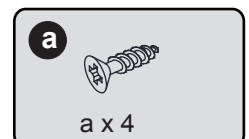
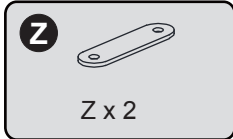
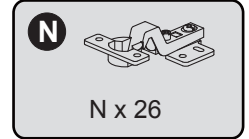
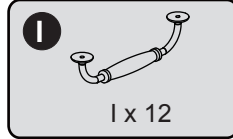
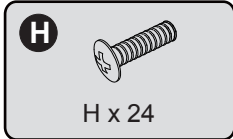
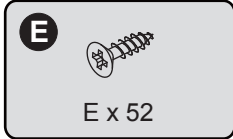


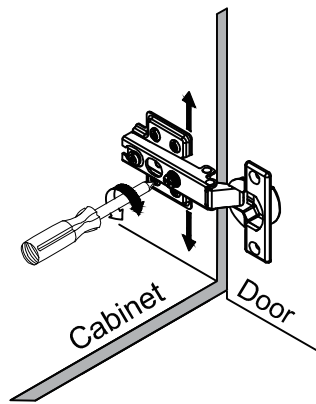
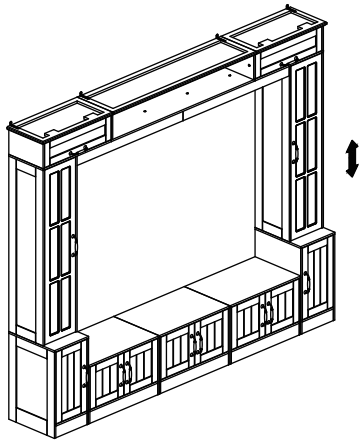
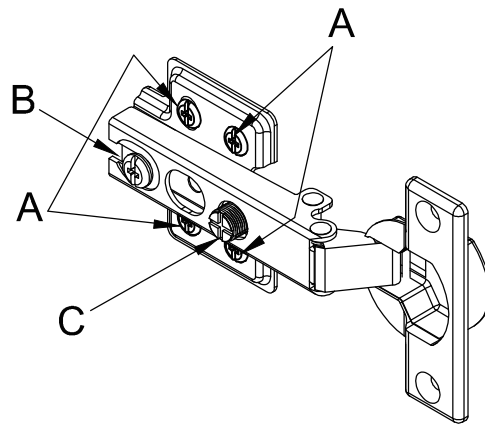
Step 35



Assembly Instructions

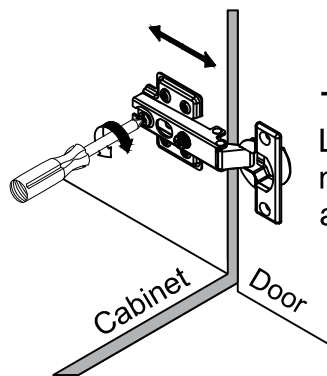
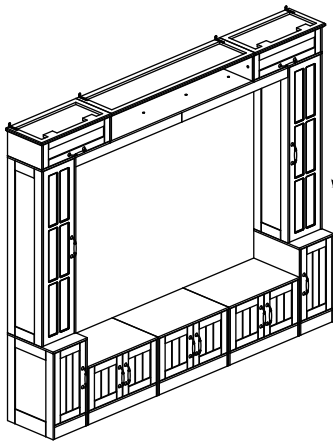
Step 36





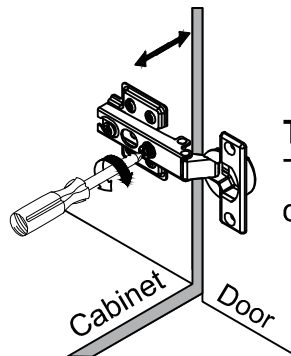
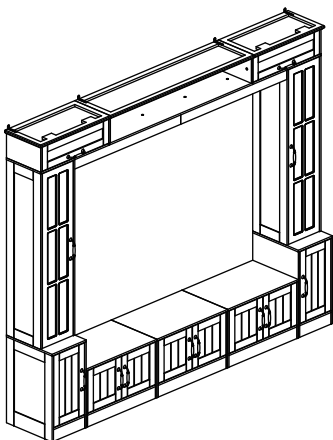
To adjust the vertical height.

Loosen the four screws "A" on both hinges. Two of them are usually in slotted holes which allows you to adjust up or down by a few mm. Then tighten back up.



To adjust depth.

Loosen screw "B" and adjust door, if the door can not be adjusted, please loosen screw "C", then try again. Tighten screw "B" and "C".

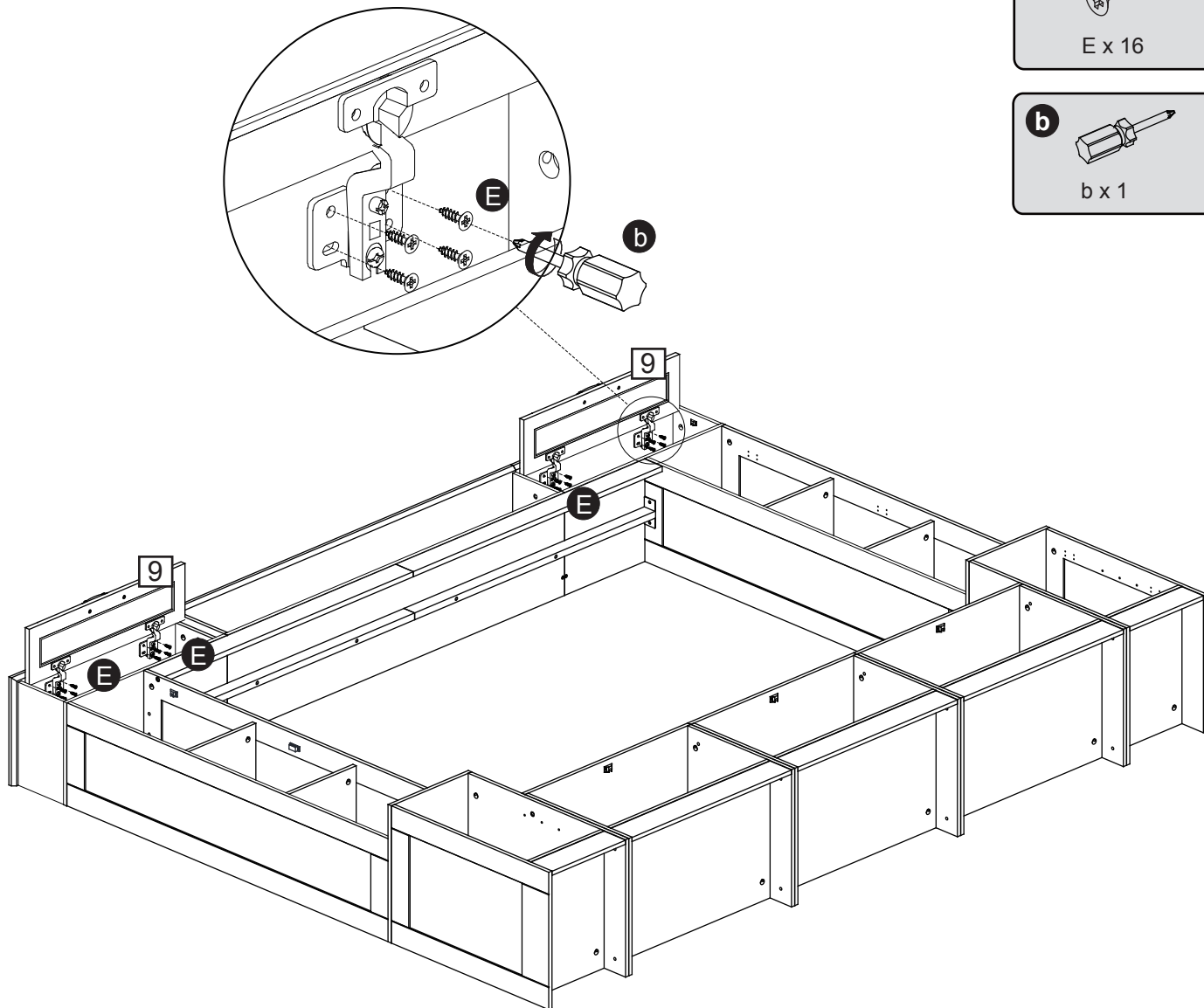
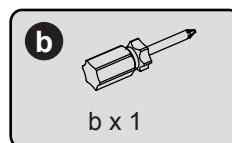
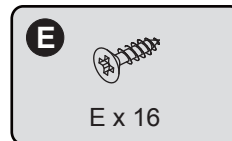


To adjust side ways.

Turning the screw "C" on BOTH hinges on each door.


Assembly Instructions

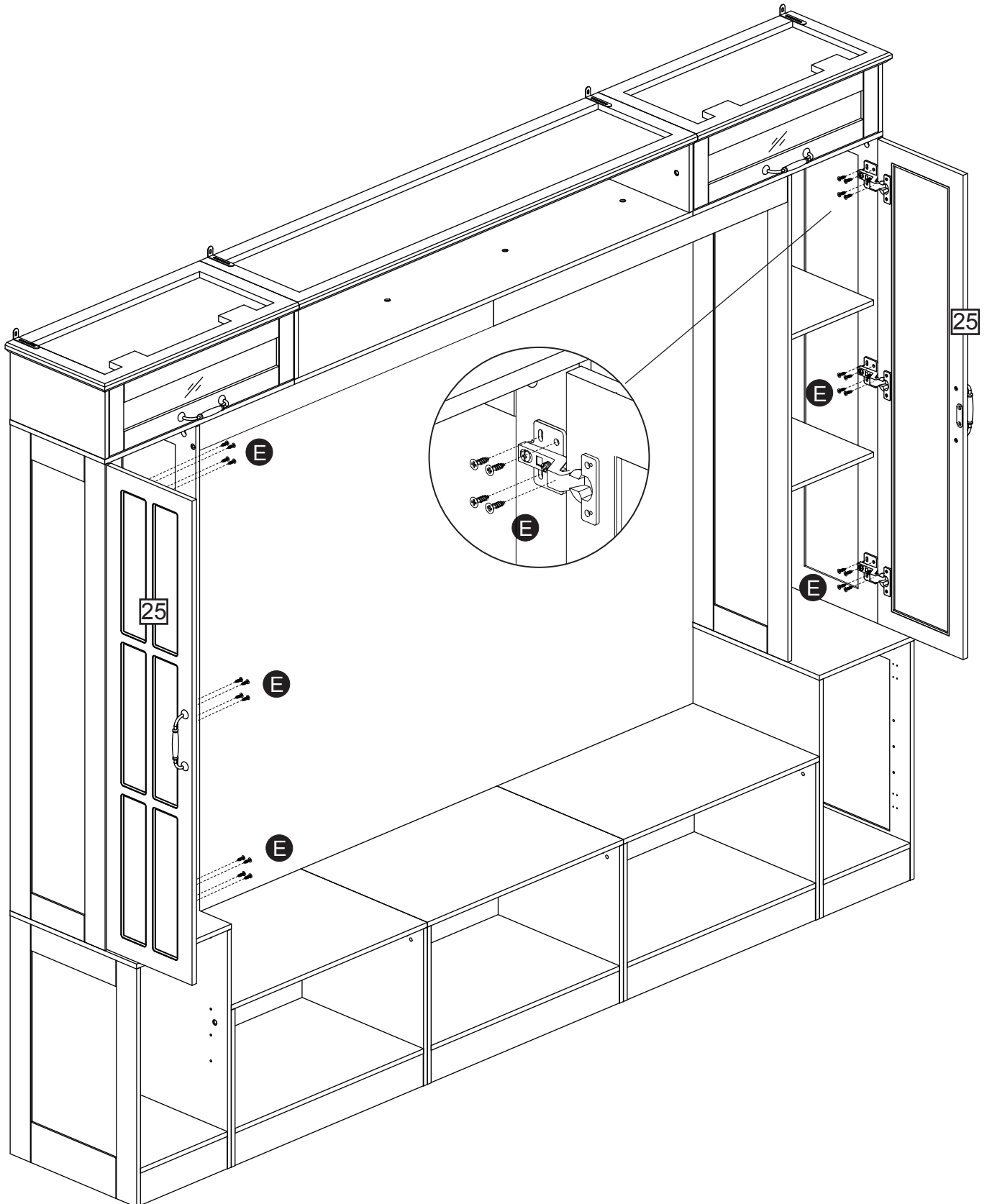
Step 37



Assembly Instructions

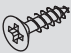
Step 38

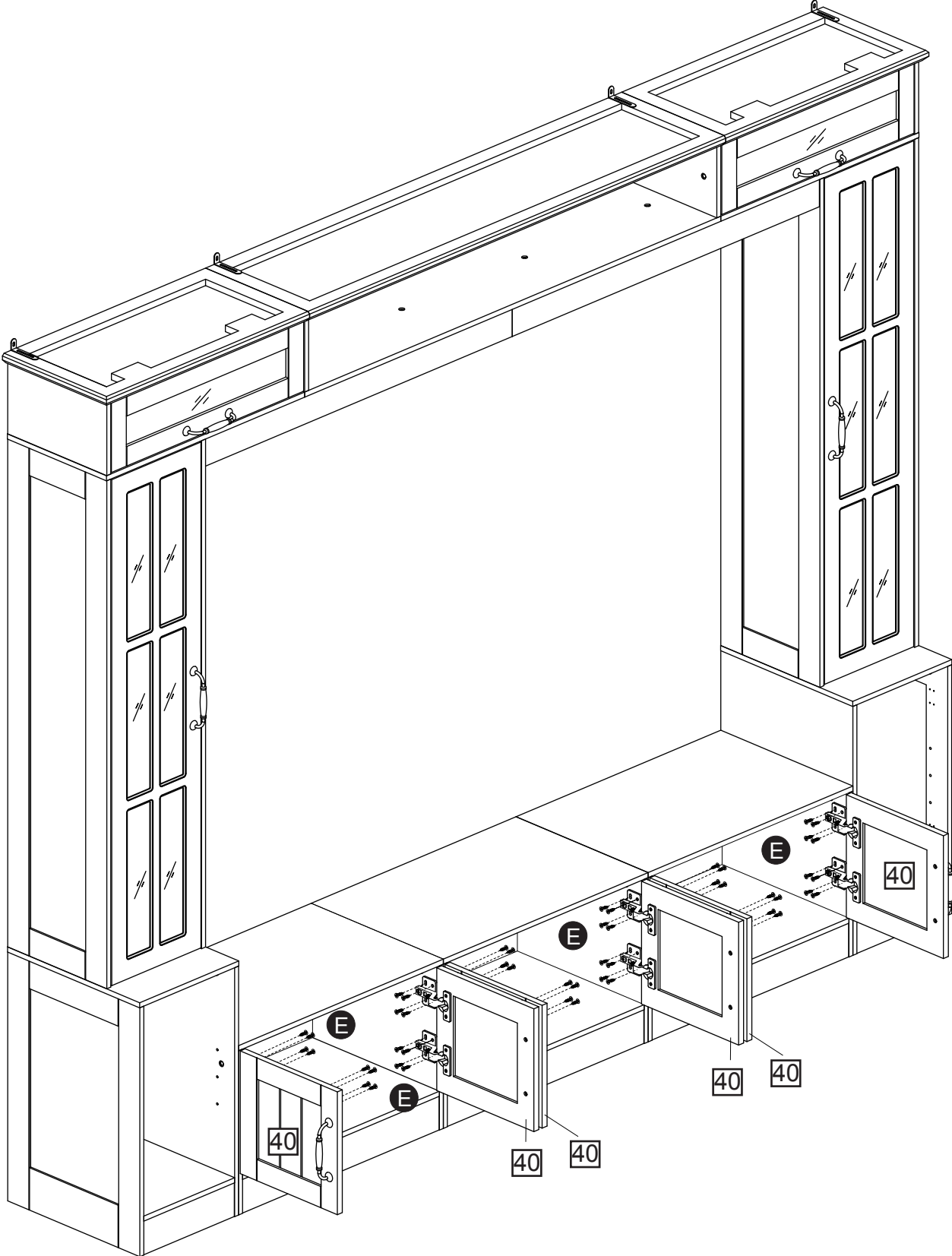
E 
E x 24



Assembly Instructions

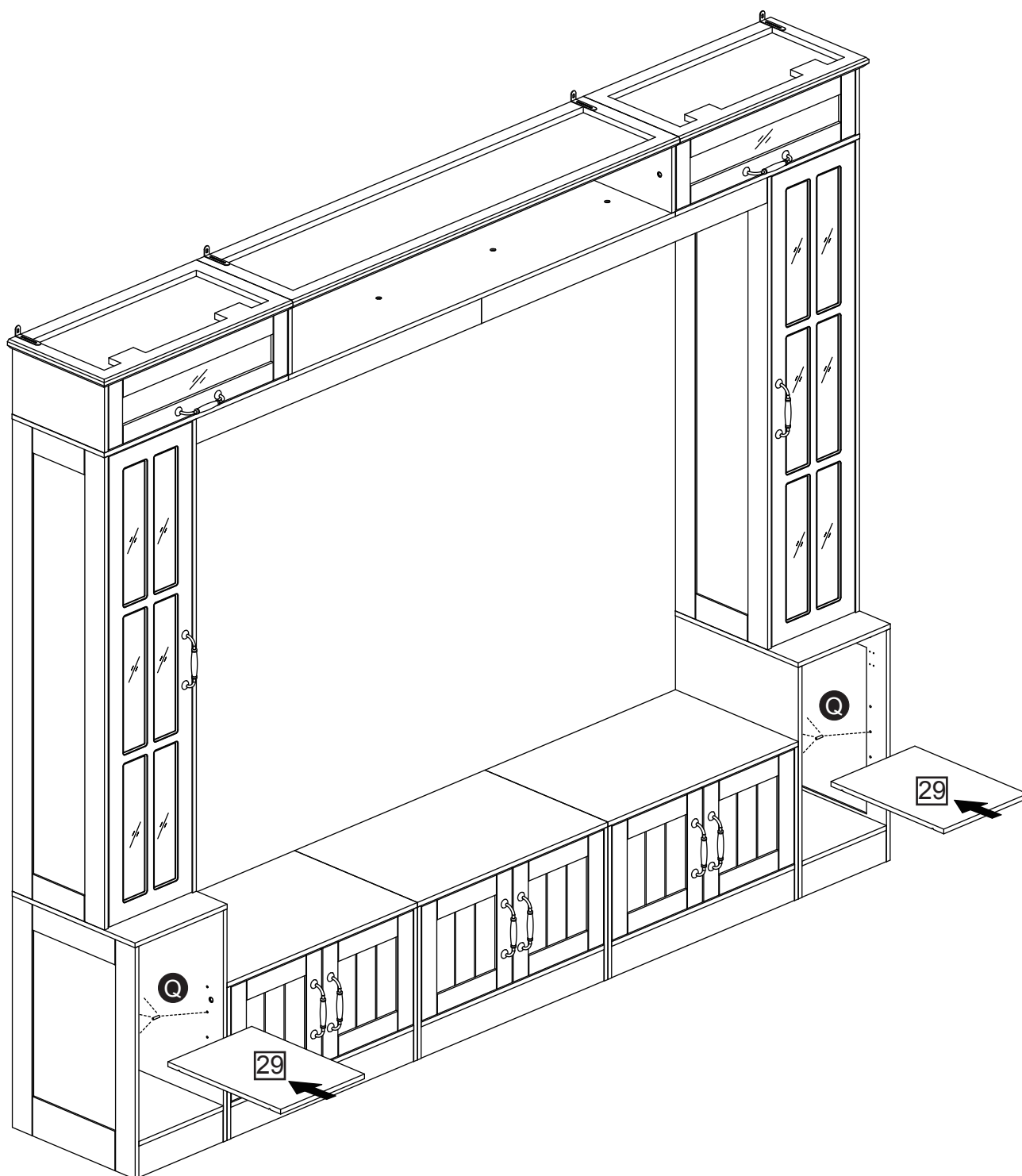
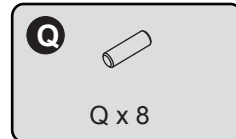
Step 39

E 
E x 48



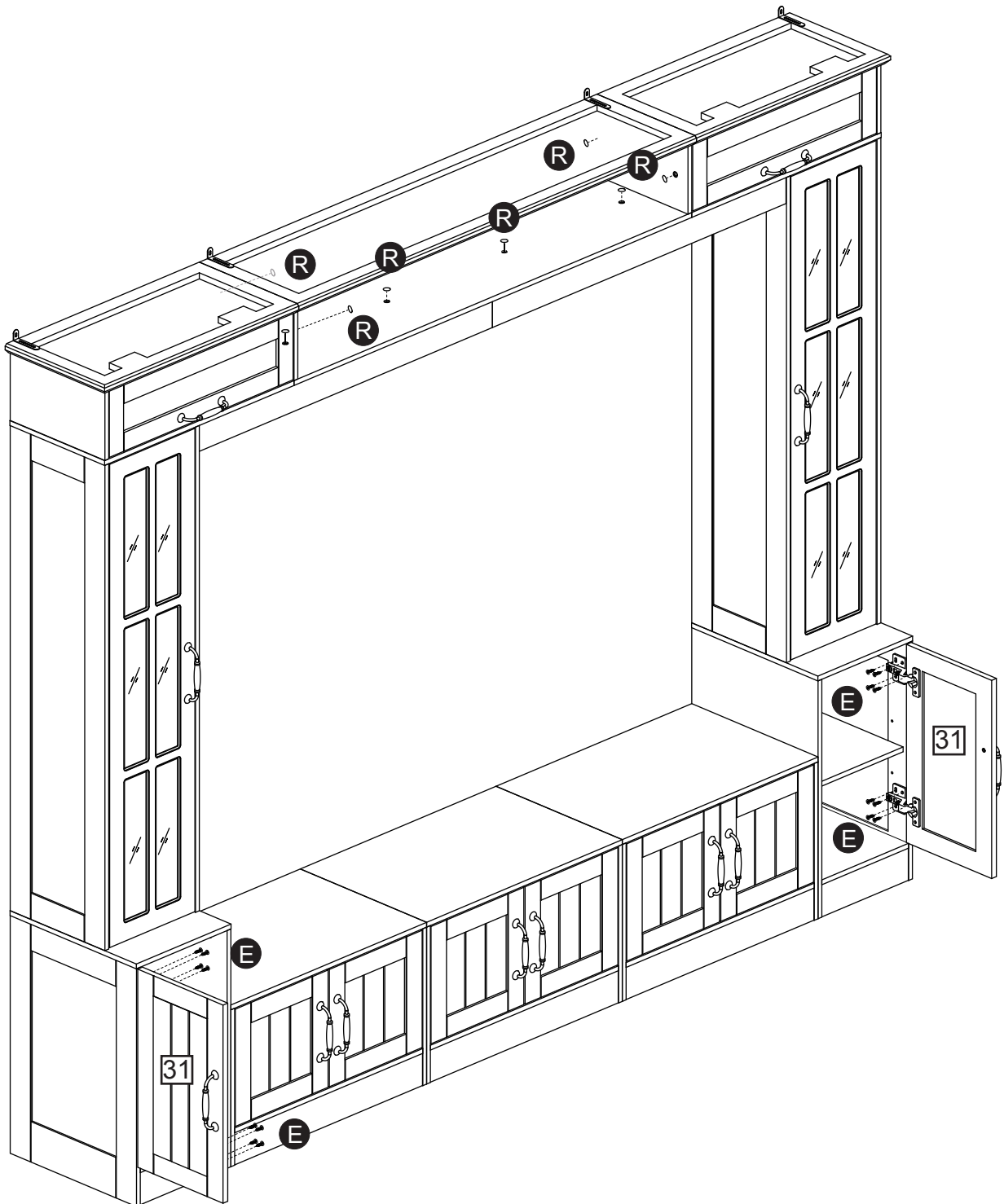
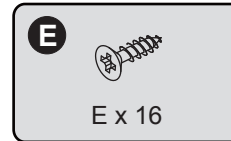
Assembly Instructions

Step 40



Assembly Instructions

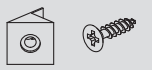
Step 41



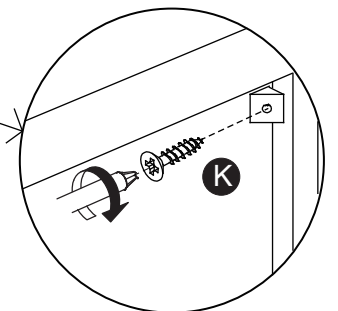
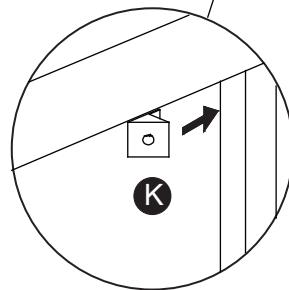
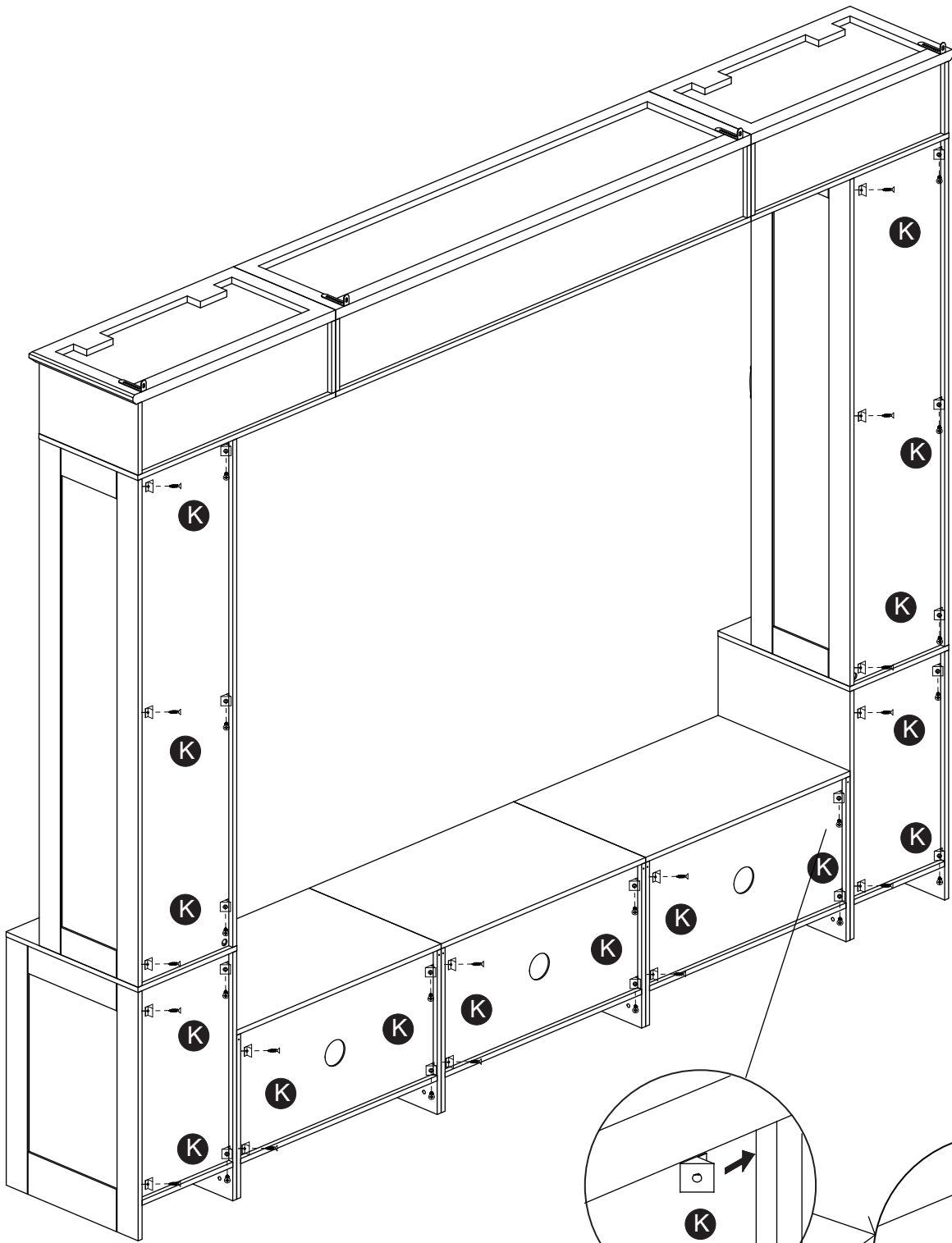
Assembly Instructions

Step 42

K

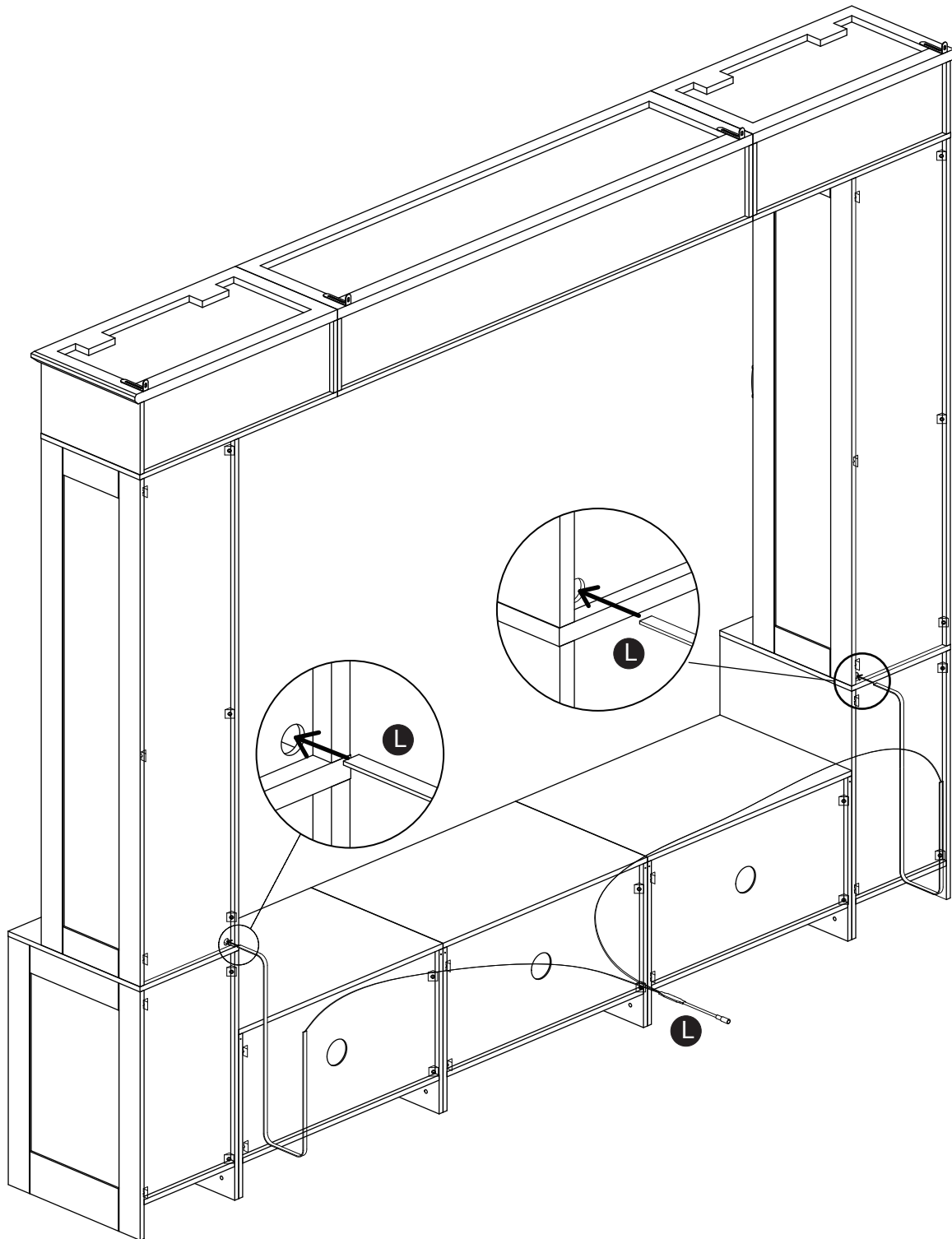
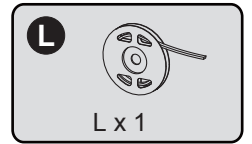


K x 32



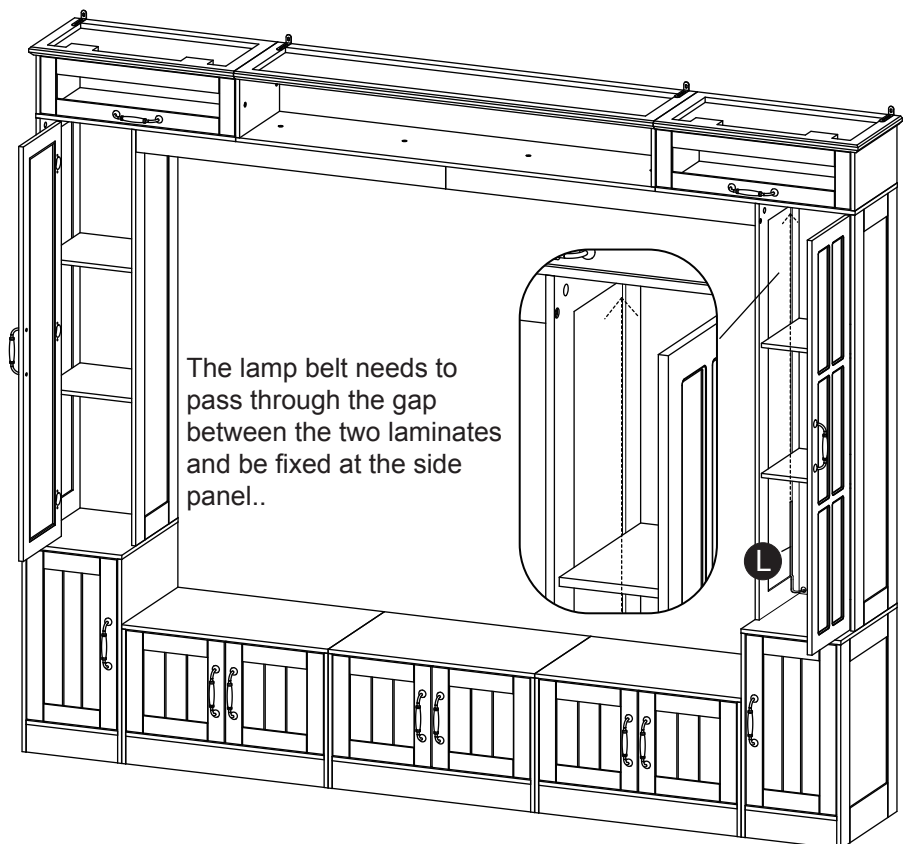
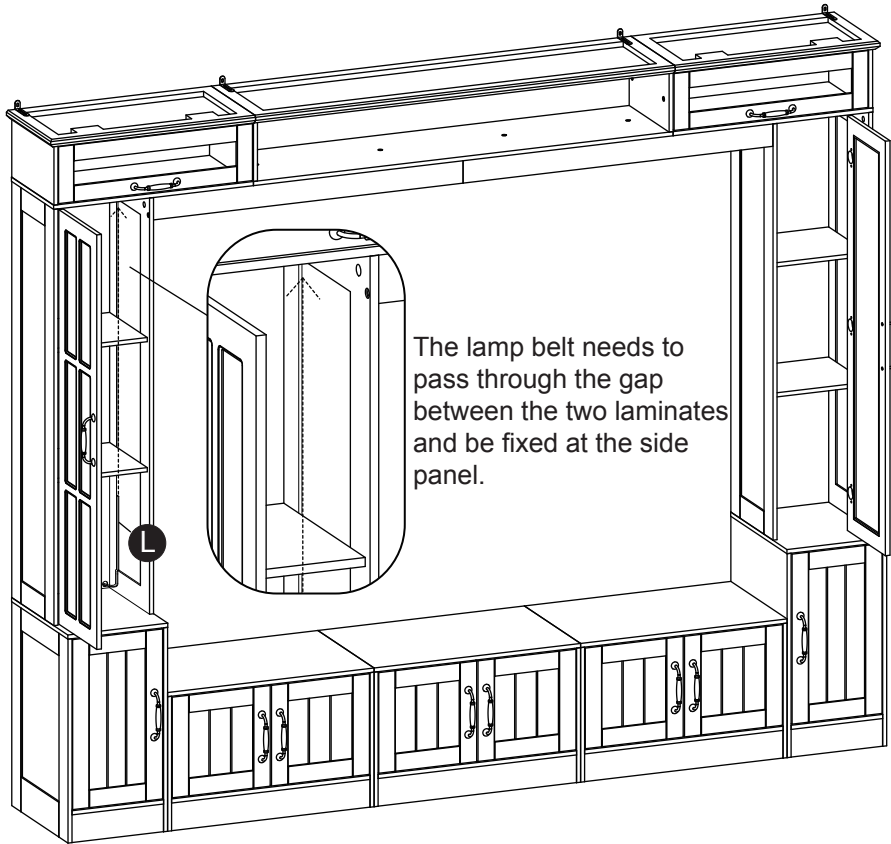
Assembly Instructions

Step 43



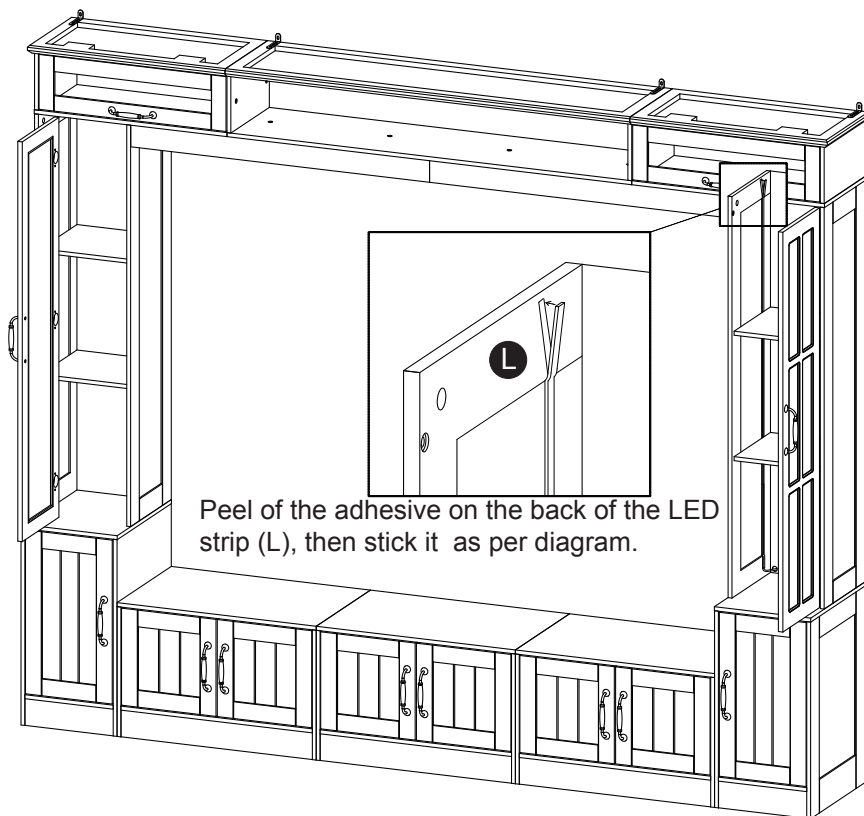
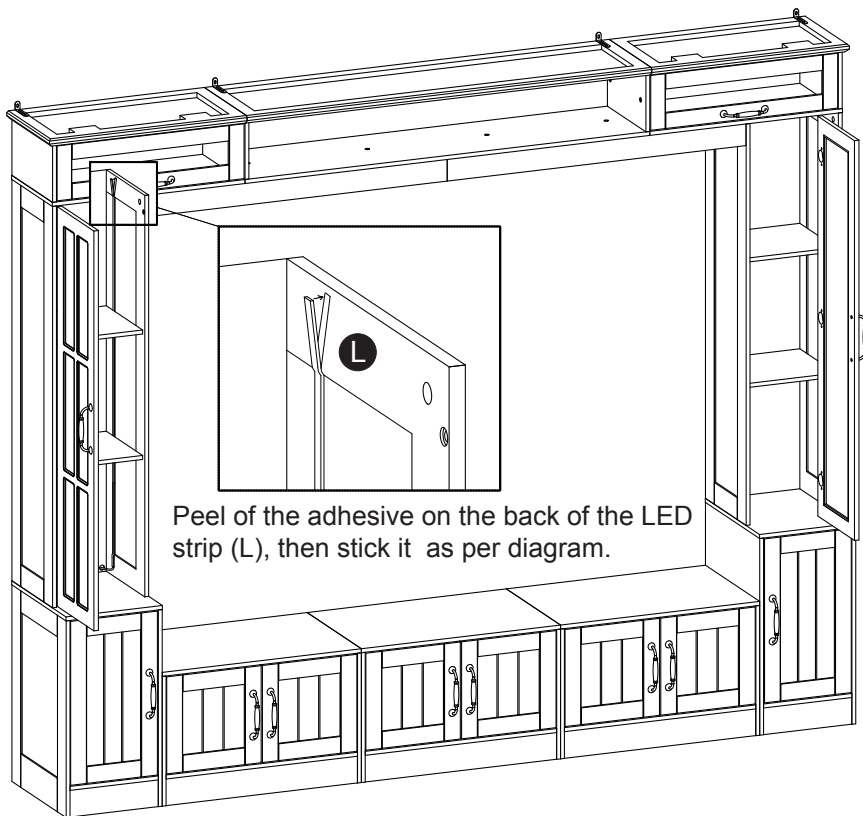
Assembly Instructions

Step 44



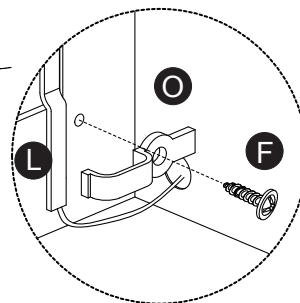
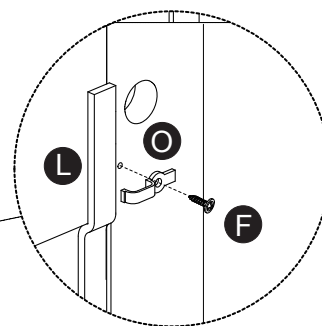
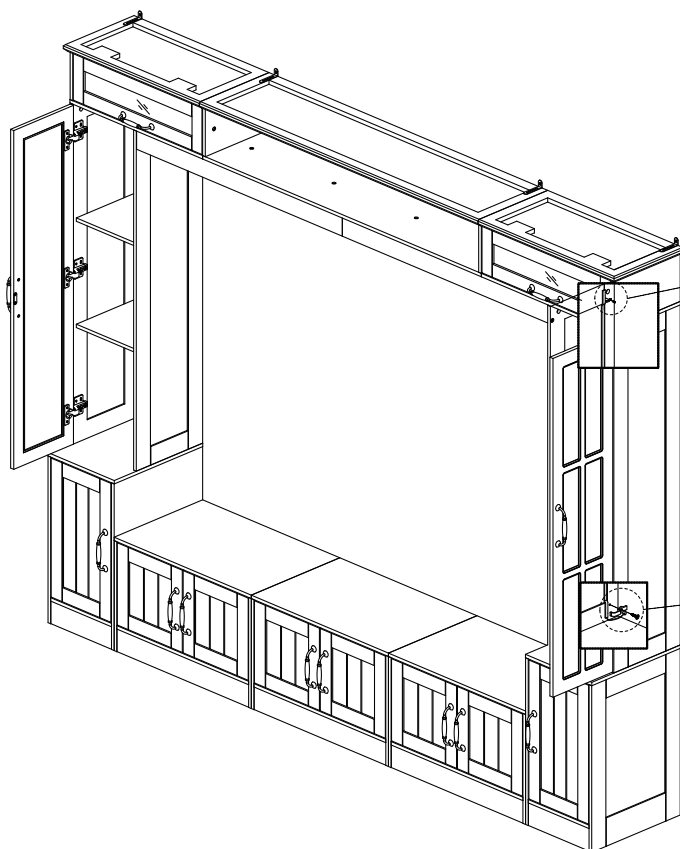
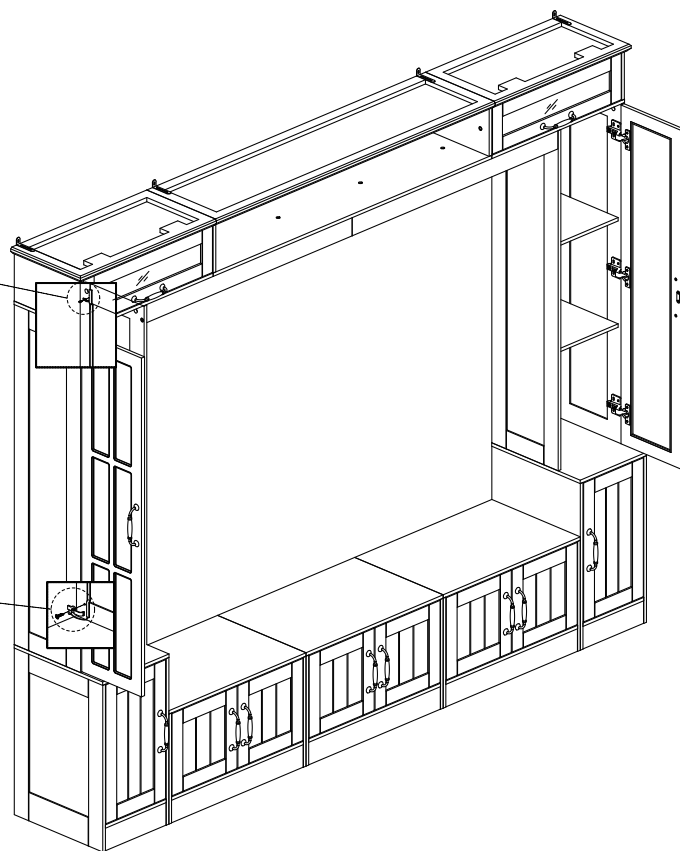
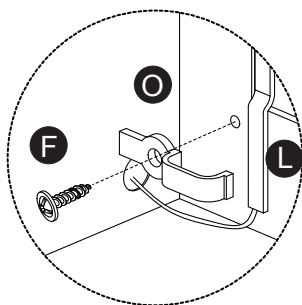
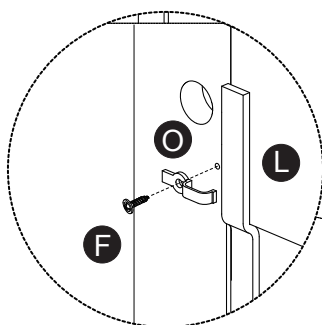
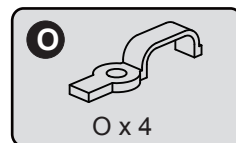
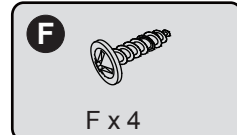
Assembly Instructions

Step 45



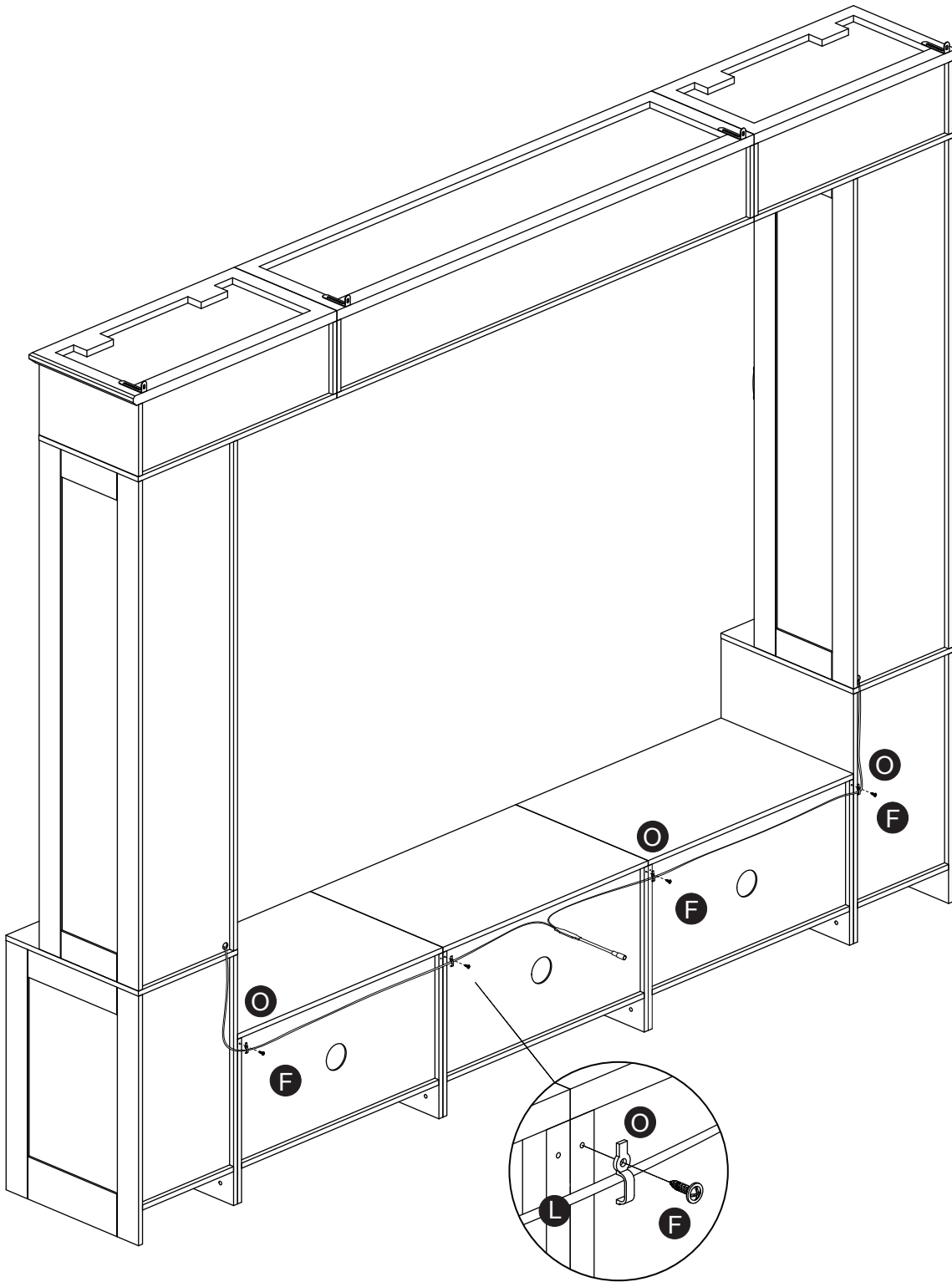
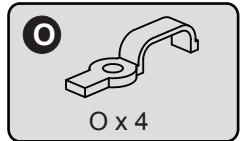
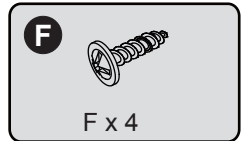
Assembly Instructions

Step 46



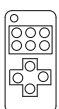
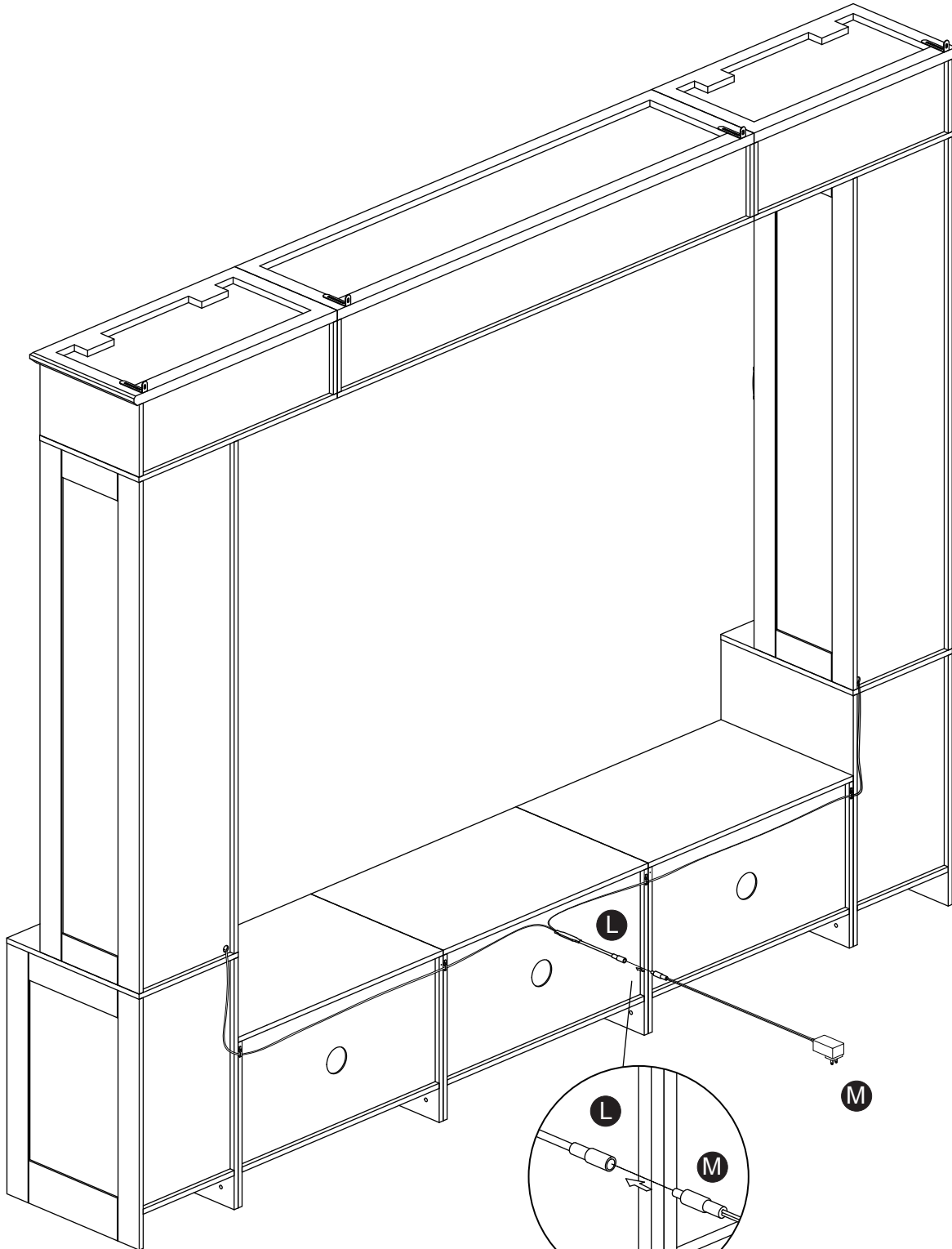
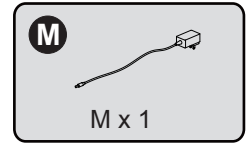
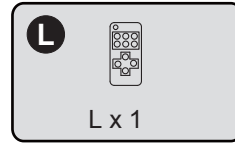
Assembly Instructions

Step 47



Assembly Instructions

Step 48



Connect the light strip with the adapter, then control the light with the remote control provided.

