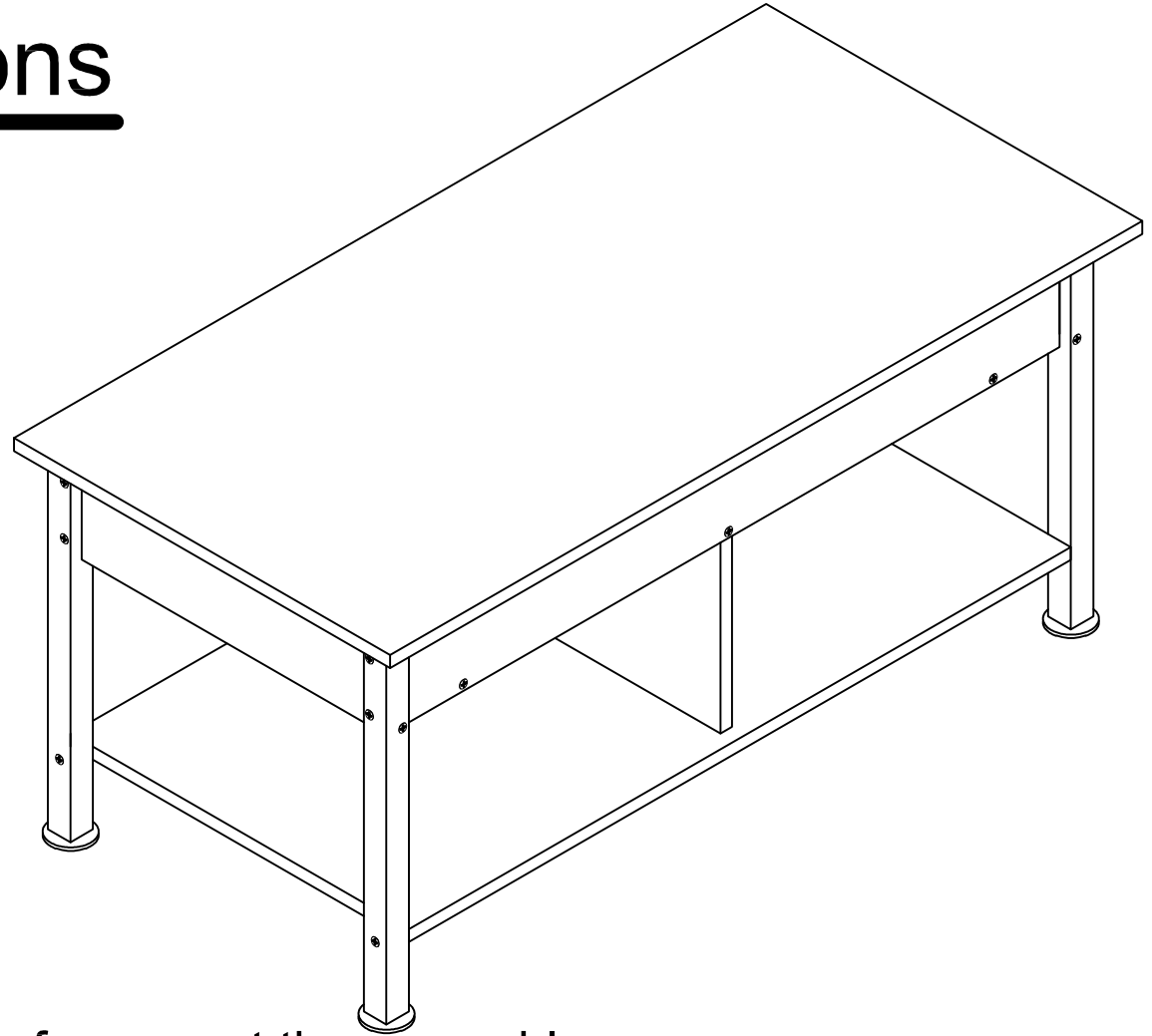


# Assembly Instructions



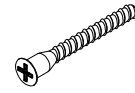
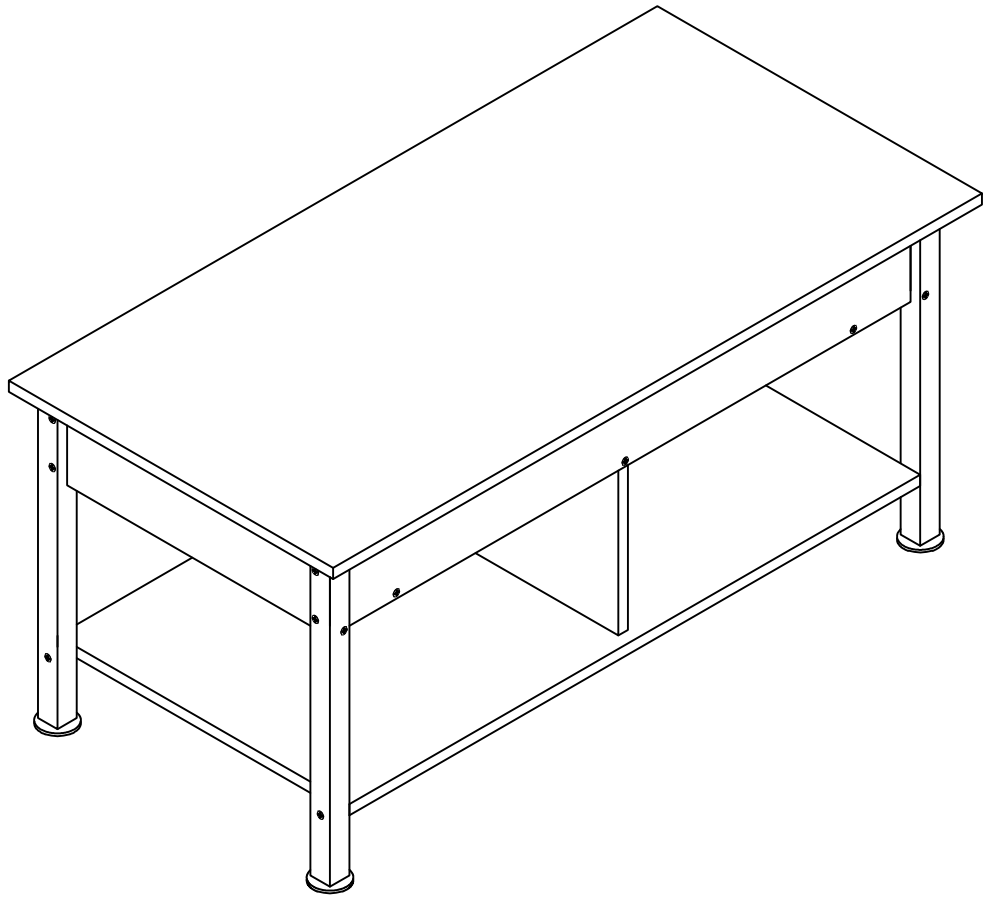
Thank you for your purchase.

Please follow the instructions below for correct the assembly.

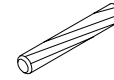
▲ For higher efficiency, we recommend to use a power drill; the power drill should be set on the low speed to avoid screw stripping.

▲ CAUTION

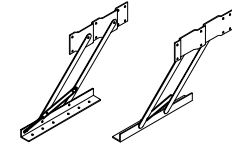
This package contains small parts and hardwares; keep it from children to avoid accidental swallowing



Φ7\*50



Φ8\*40



C 1pc



Φ3.5\*14

D 28pcs

A 34pcs

B 14pcs



E 7pcs



F 30pcs



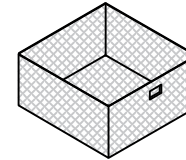
G 1pc



H 2pcs



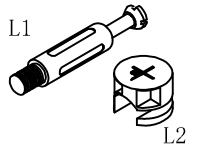
I 2pcs



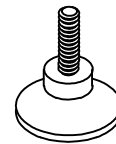
J 2pcs



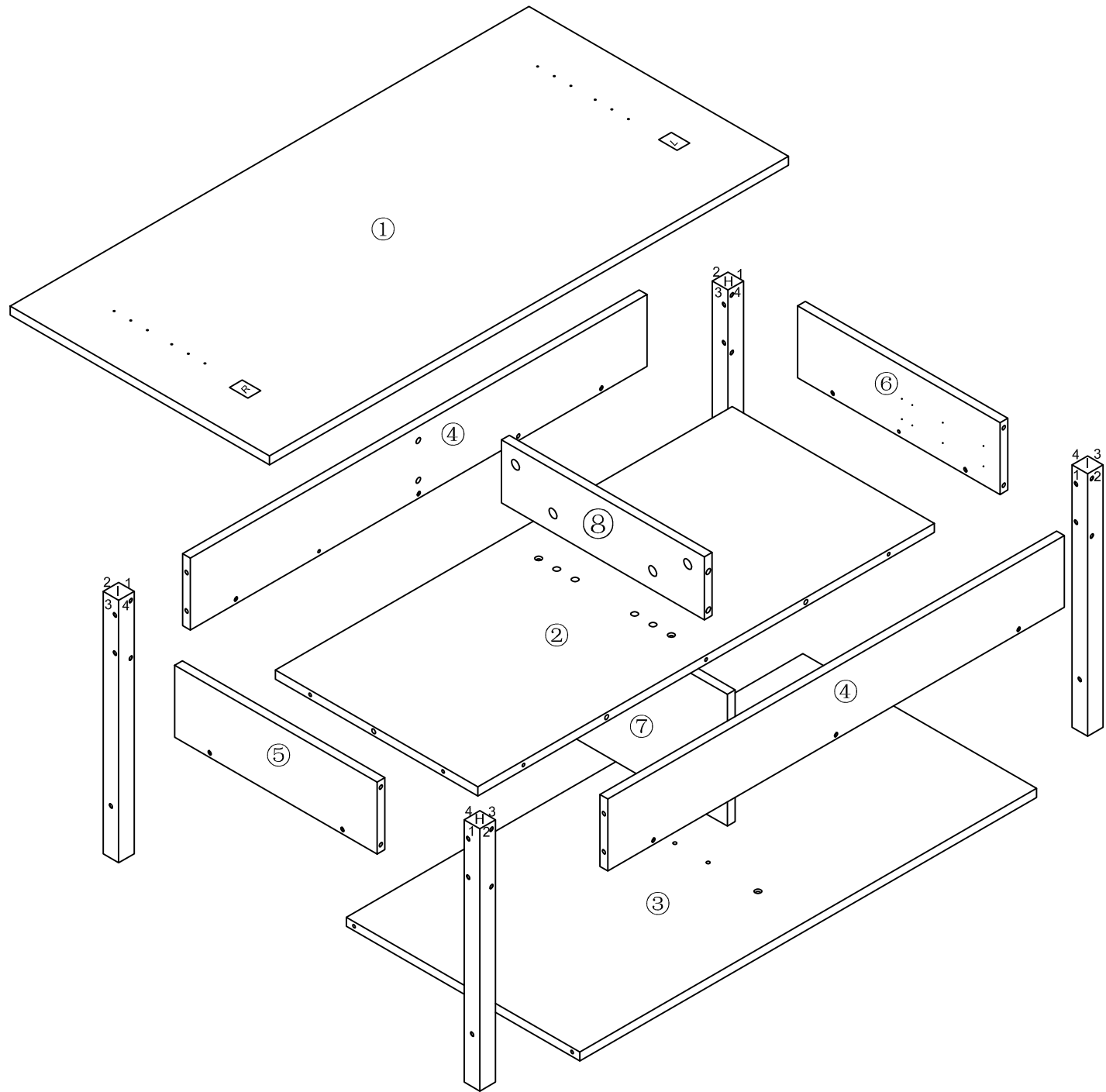
K 1pc

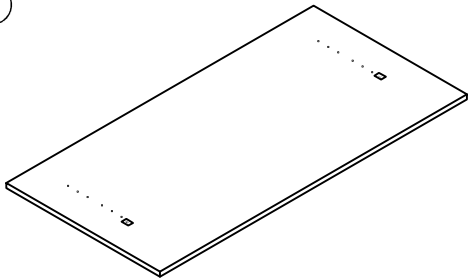
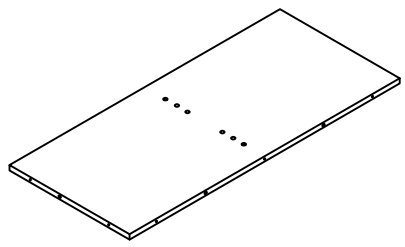
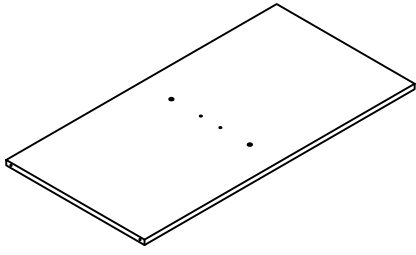
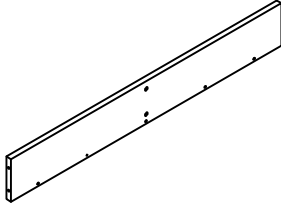
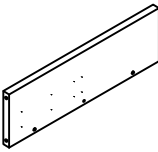
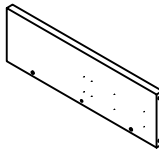
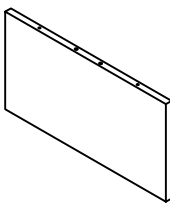
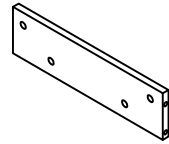


L 4pcs



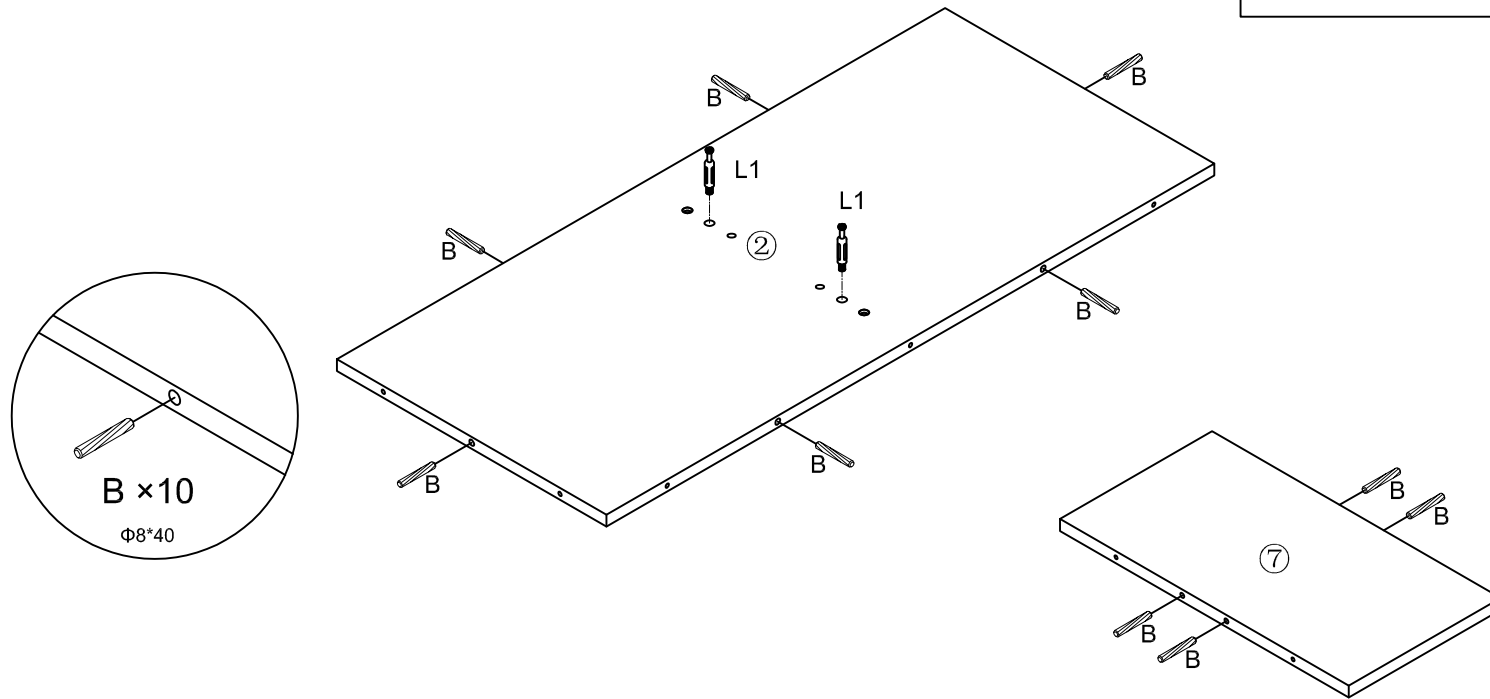
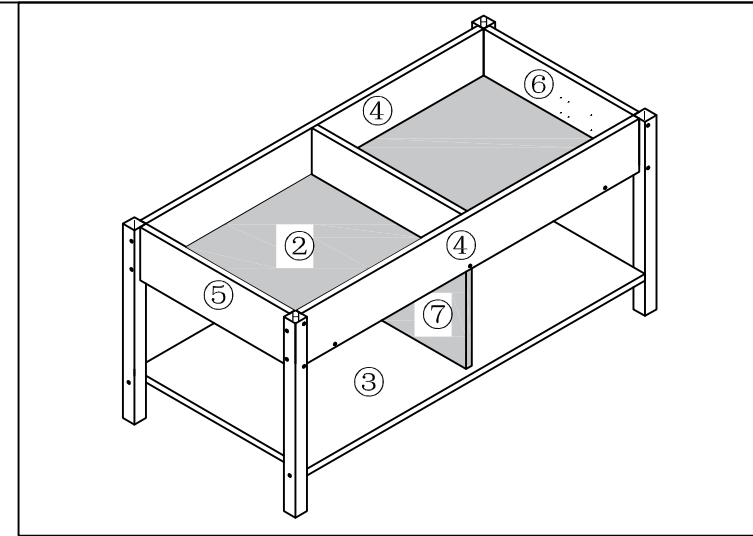
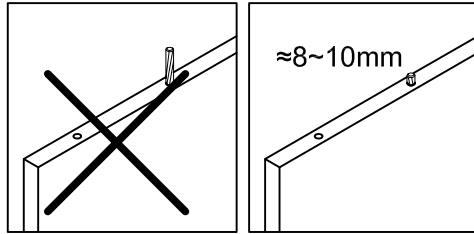
4pcs

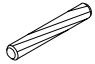



<p>①</p>  <p>1000*500*15mm      1 PC</p>	<p>②</p>  <p>880*390*15mm      1 PC</p>	<p>③</p>  <p>880*450*15mm      1 PC</p>	<p>④</p>  <p>880*120*15mm      2 PCS</p>
<p>⑤</p>  <p>390*120*15mm      1 PC</p>	<p>⑥</p>  <p>390*120*15mm      1 PC</p>	<p>⑦</p>  <p>220*418*15mm      1 PC</p>	<p>⑧</p>  <p>390*105*15mm      1 PC</p>

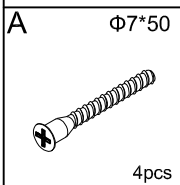
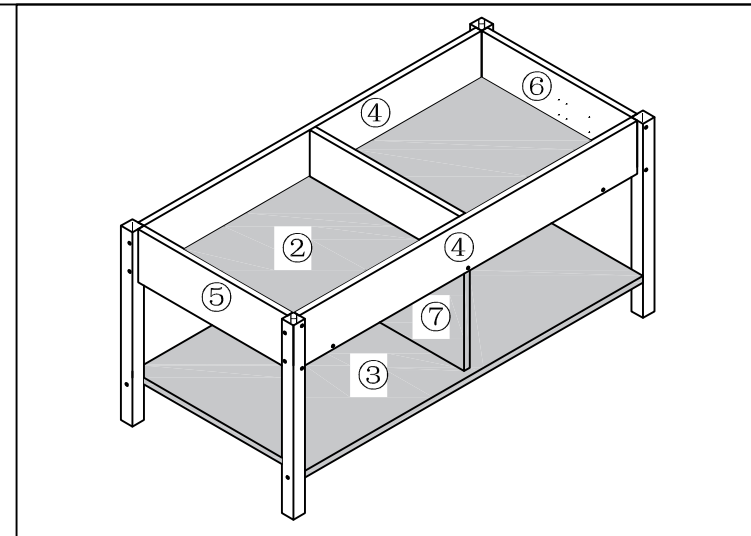
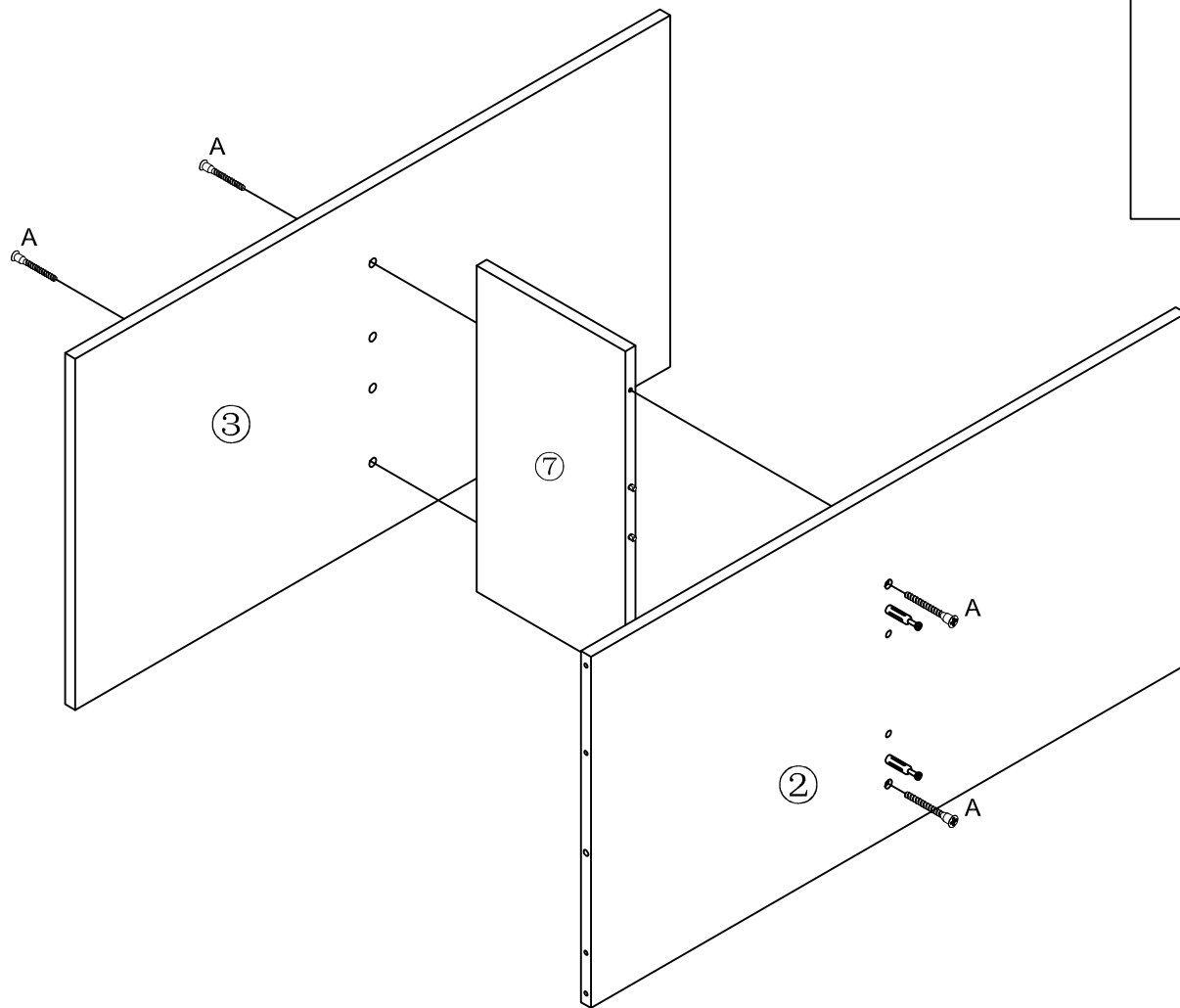
# 1

Please hand insert the pegs all the way in.

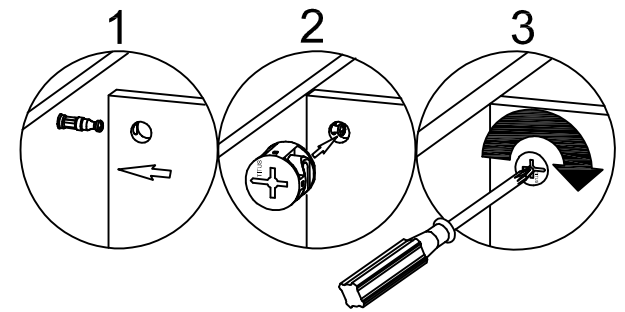
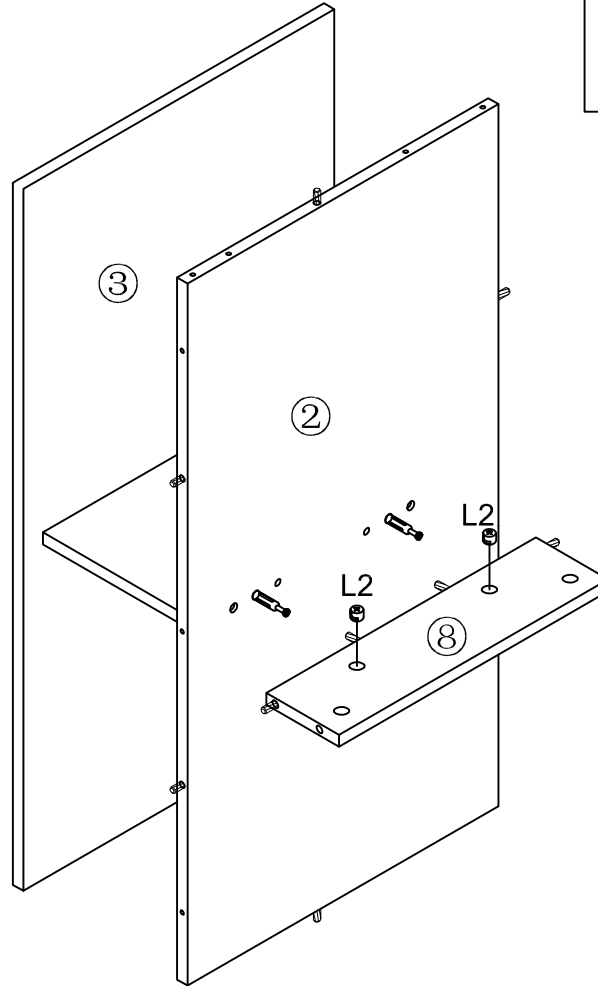
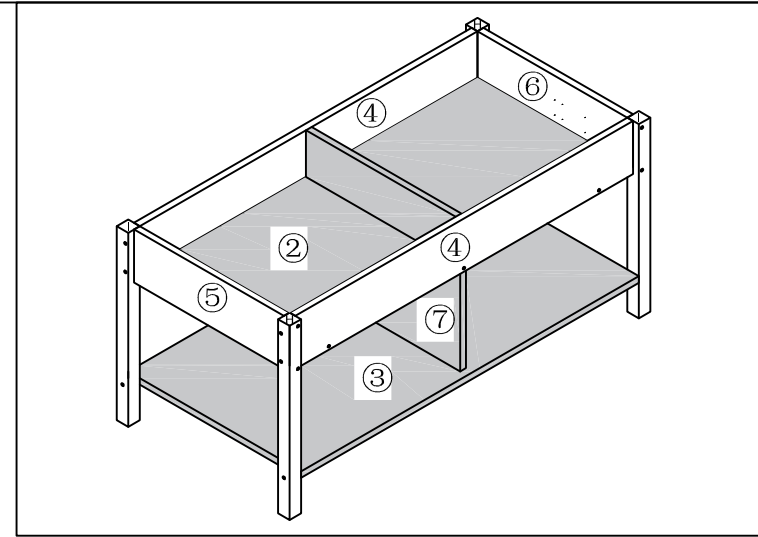
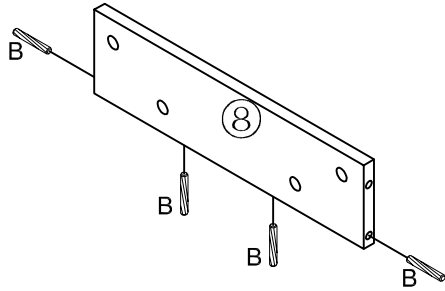


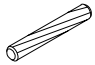

B	$\Phi 8^{\ast}40$	L1
		
10pcs		2pcs

# 2

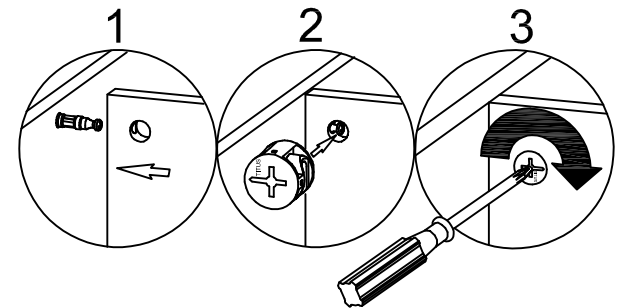
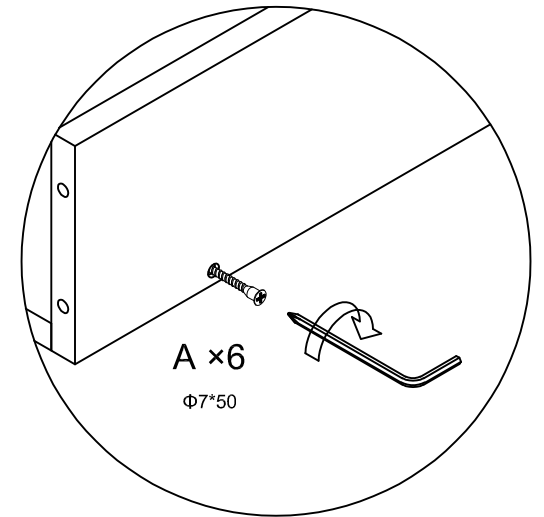
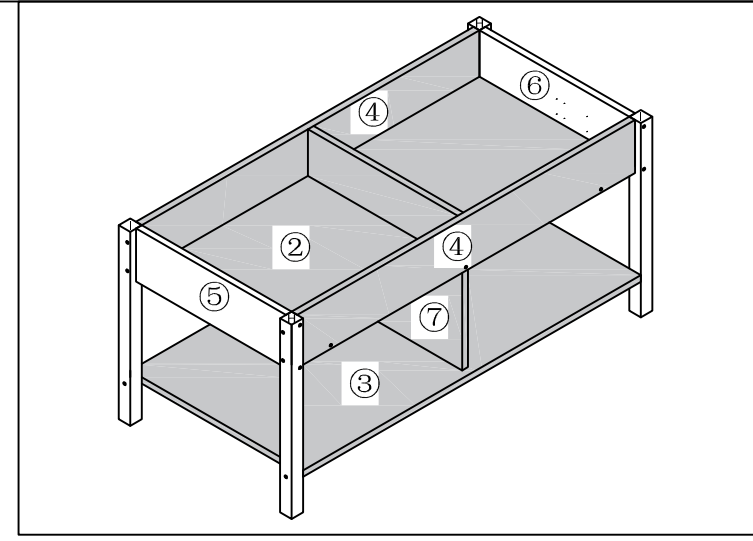
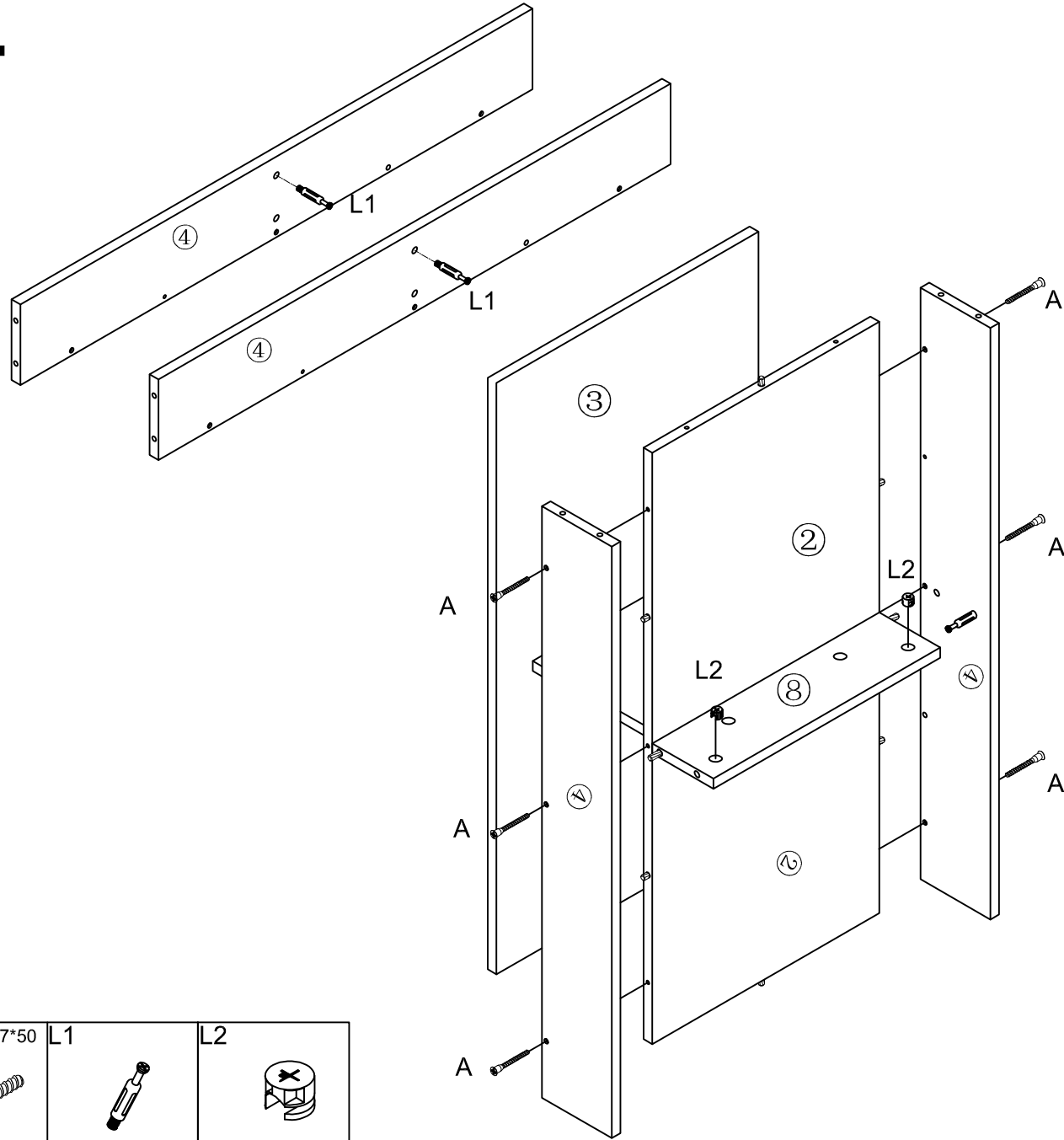


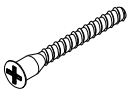


# 3



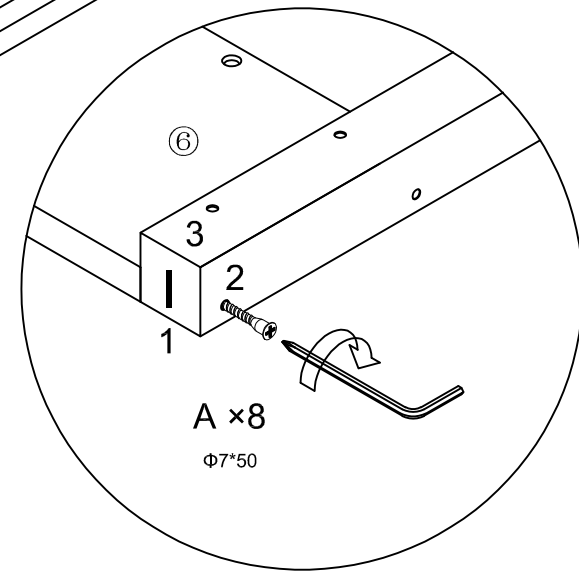
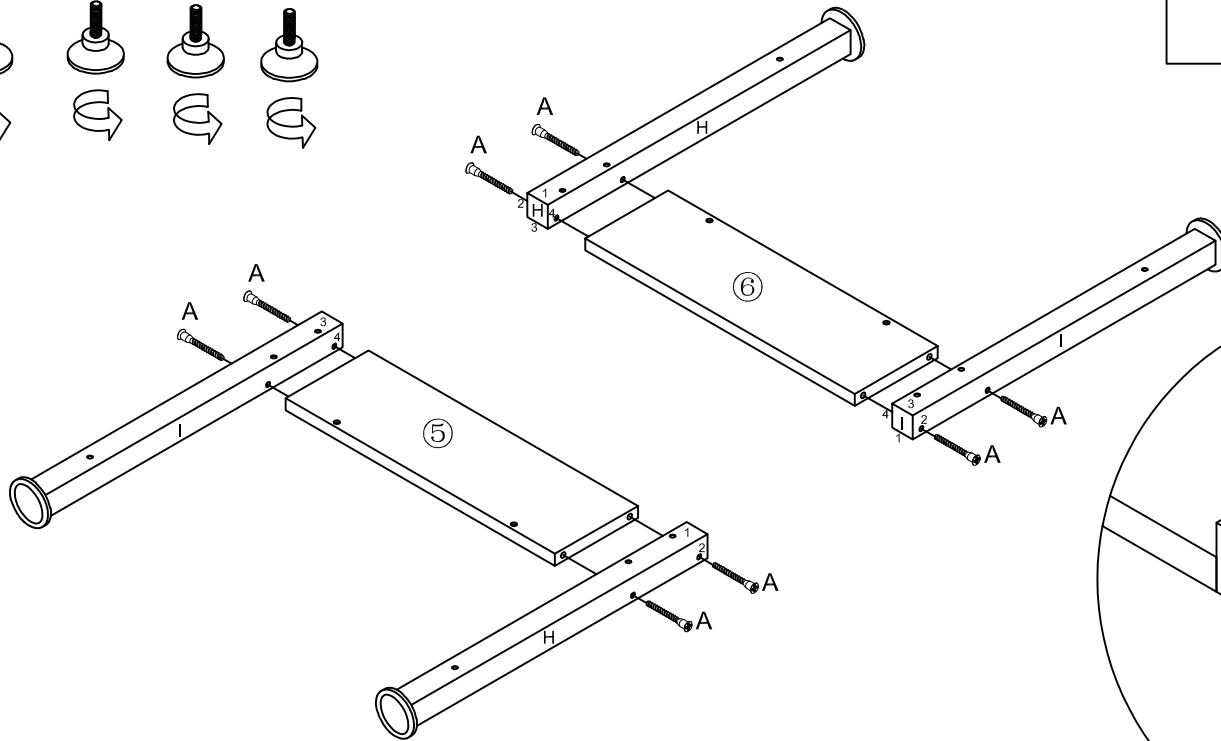
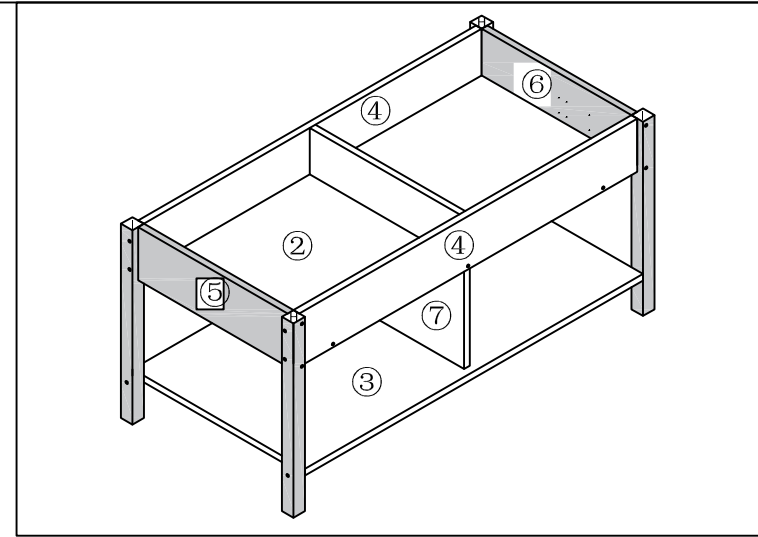
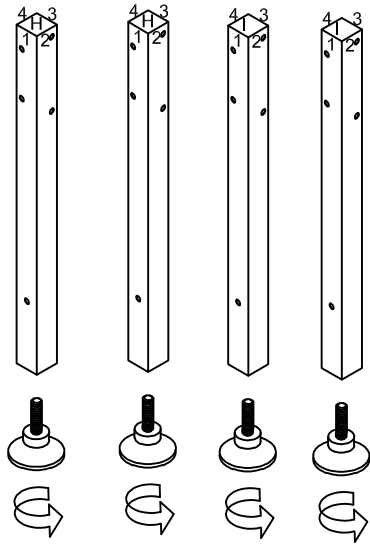
B	$\Phi 8 \times 40$	L2
		
4pcs		2pcs





# 4



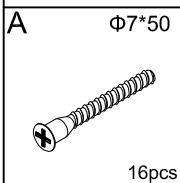
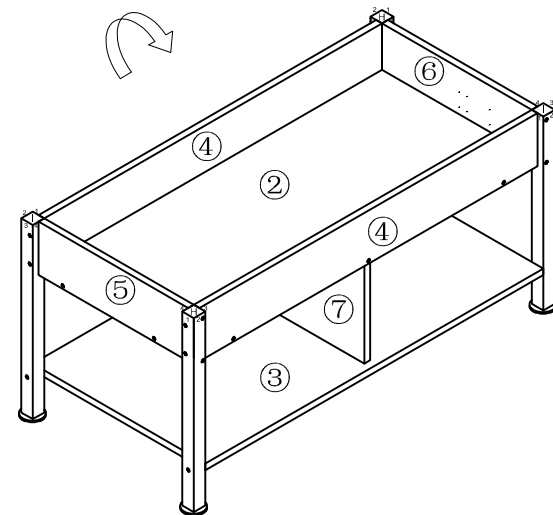
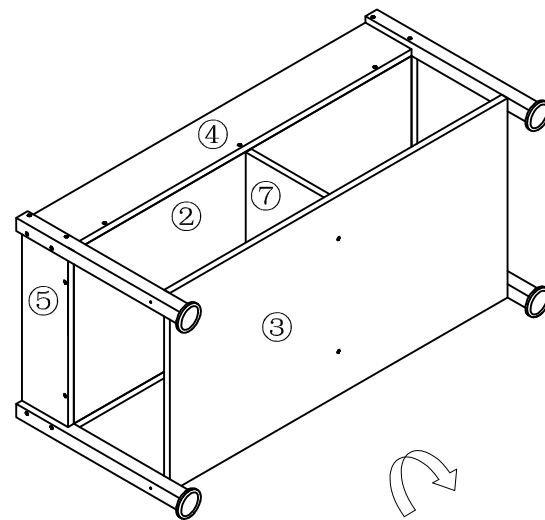
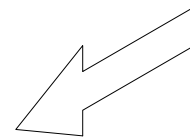
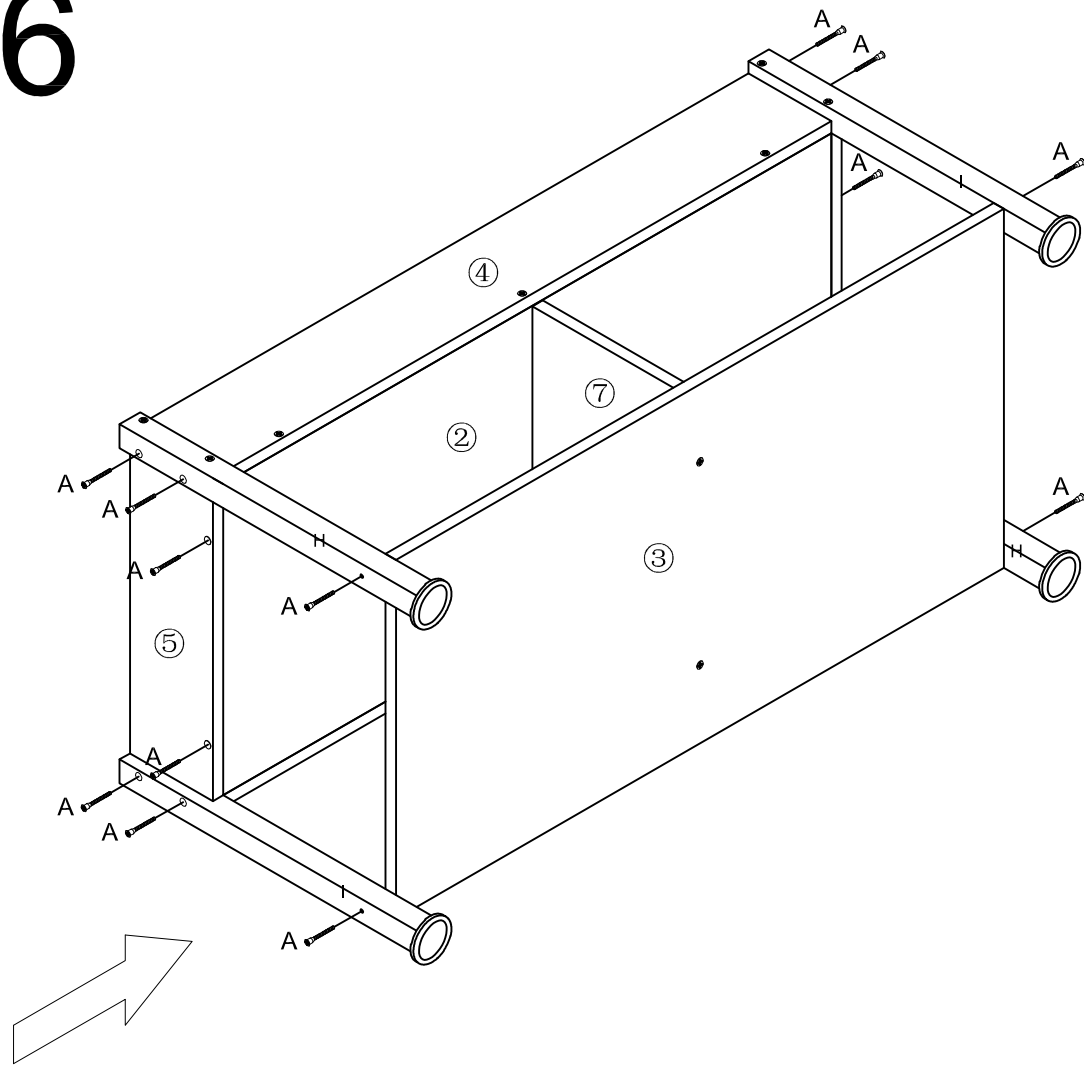
A	Φ7*50	L1	L2
			
6pcs	2pcs	2pcs	

# 5

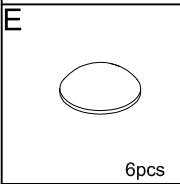
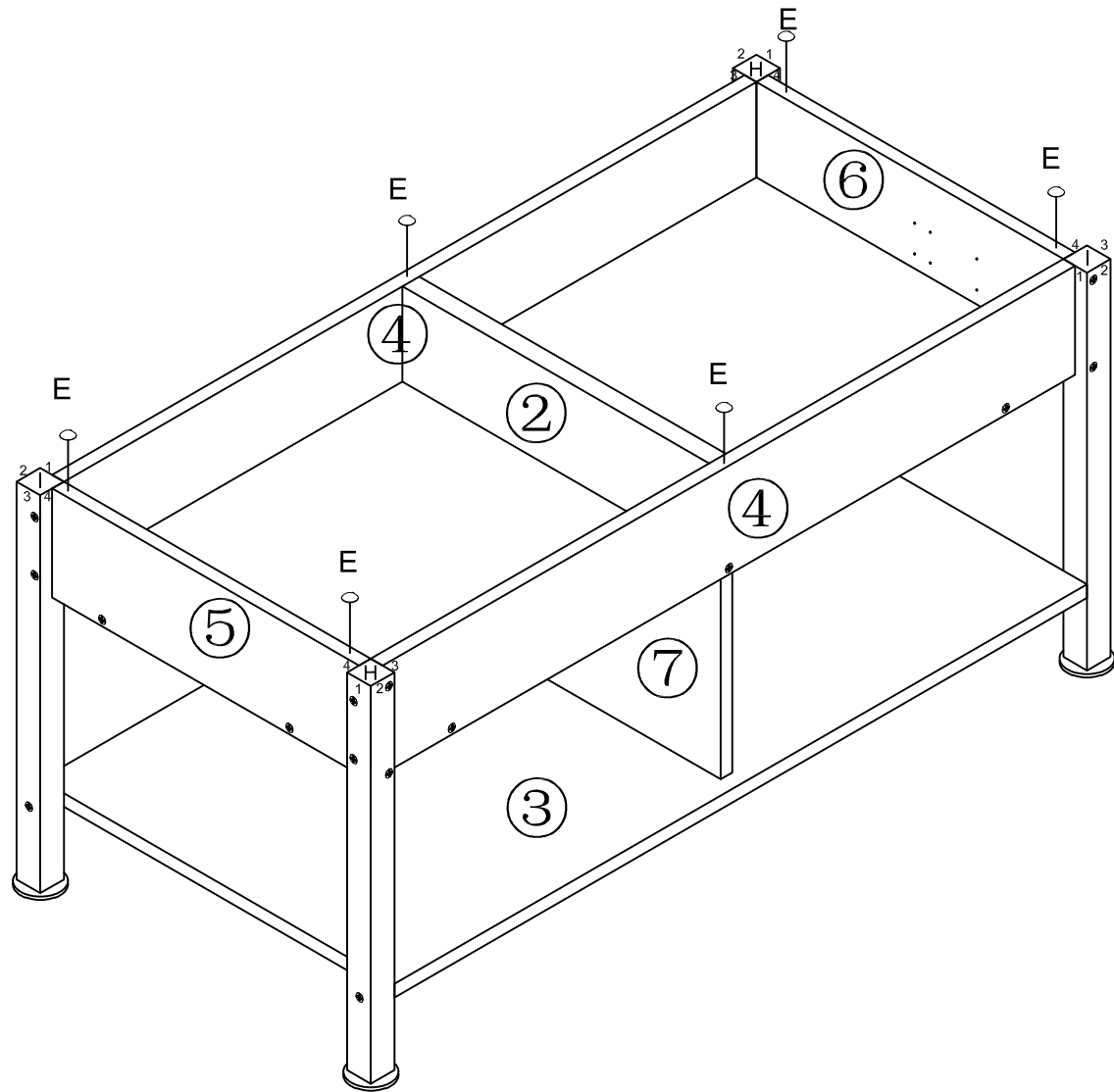


<p>A</p>  <p>Φ7*50</p> <p>8pcs</p>	<p>H</p>  <p>2pcs</p>	<p>I</p>  <p>2pcs</p>	 <p>4pcs</p>
--	--	--	---

# 6



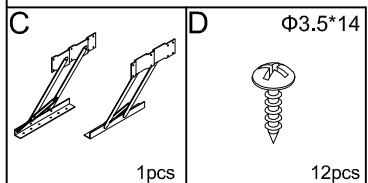
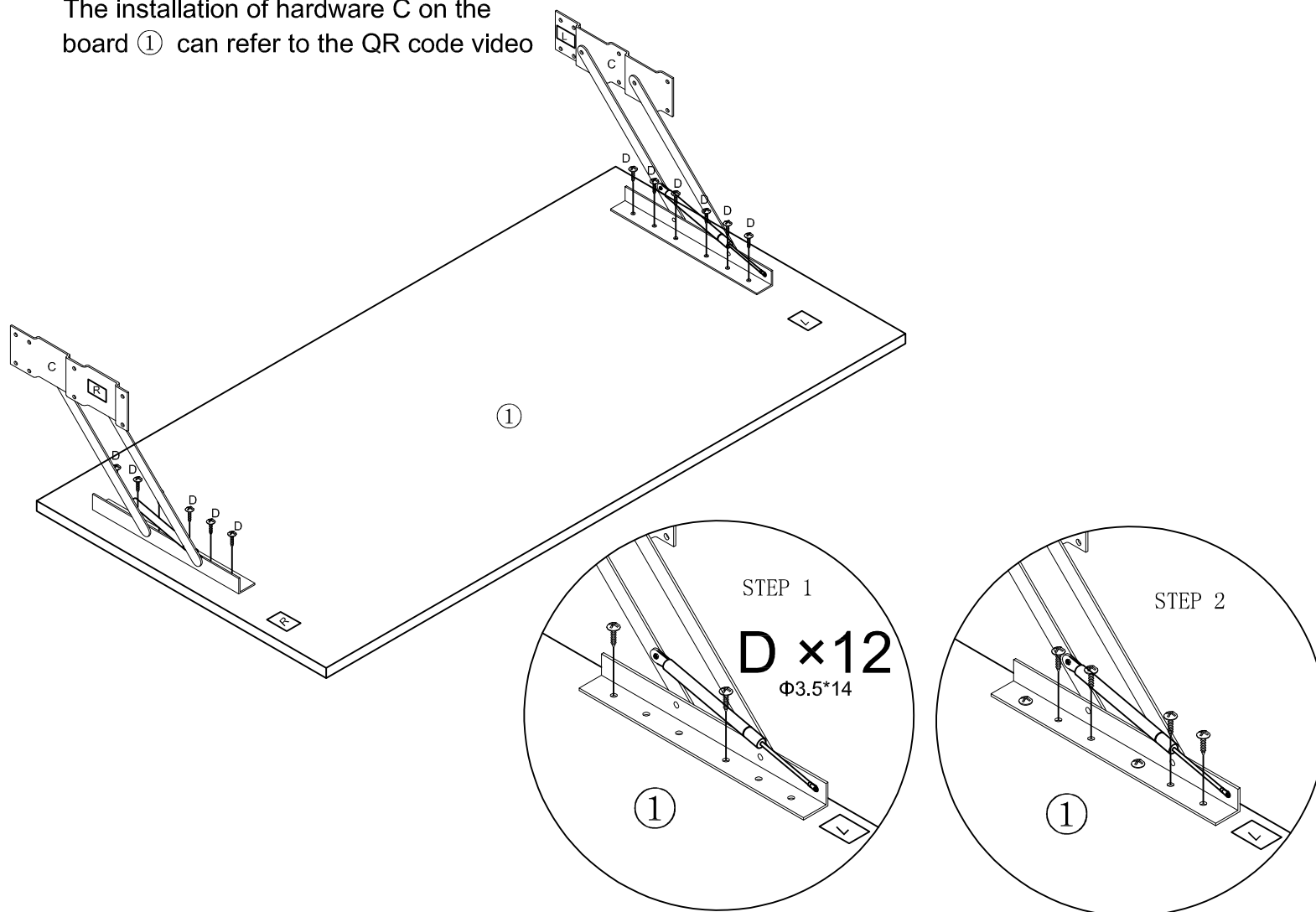
# 7



# 8

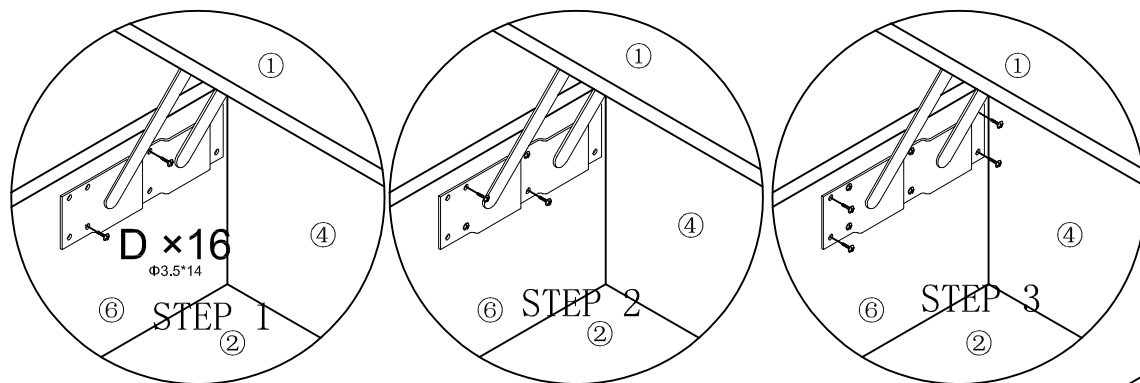
Hardware C is a pair of a Left-hand lever and a Right-hand lever, please notice their individual direction and position to Board 1.

The installation of hardware C on the board ① can refer to the QR code video

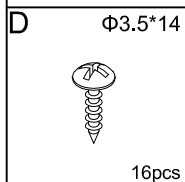
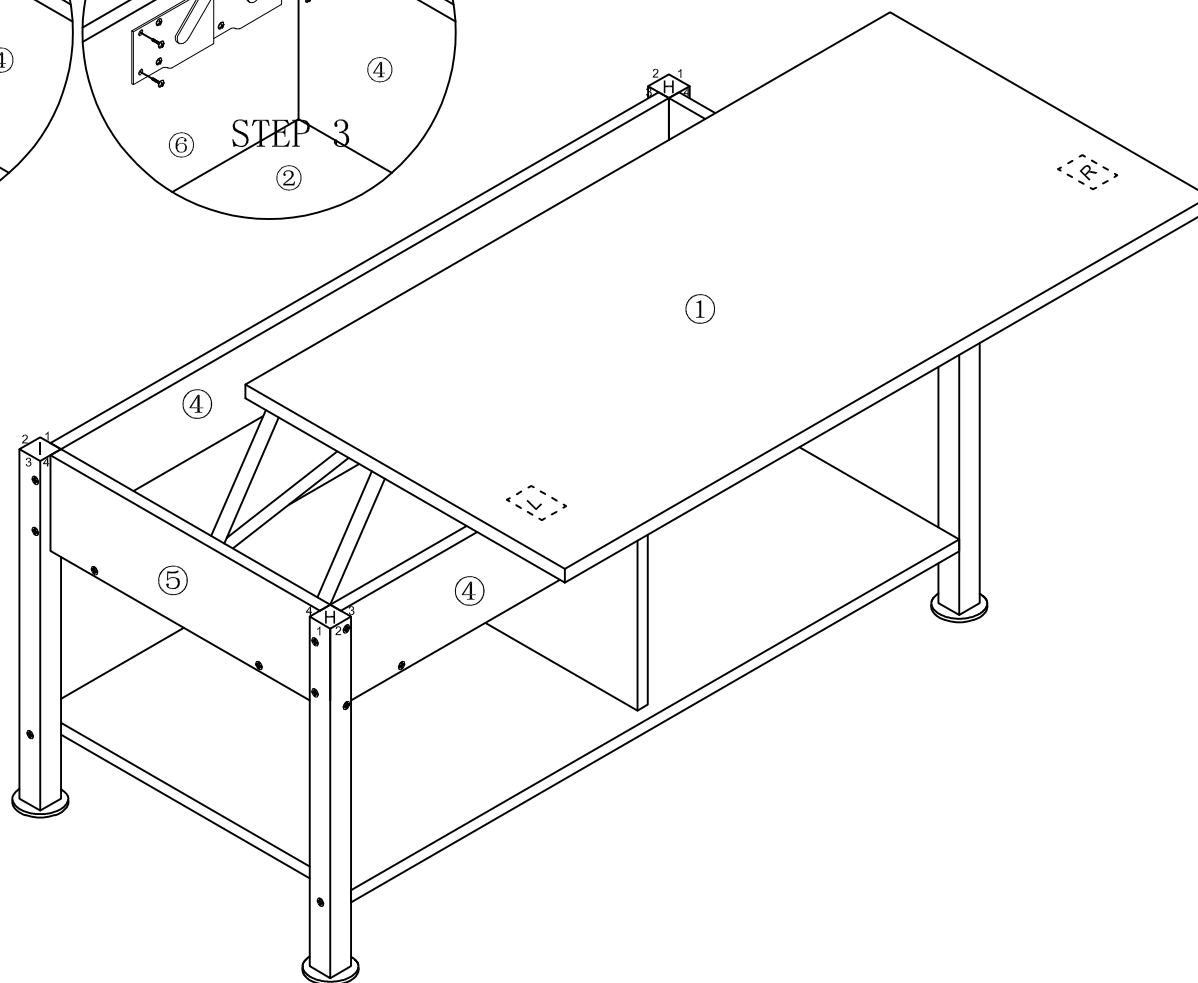


# 9

Cooperation of two people is recommended for this step; One people holds the Board 1 and the other people tightens the screws.



Installation of board ⑤ is similar to board ⑥.



# 10

