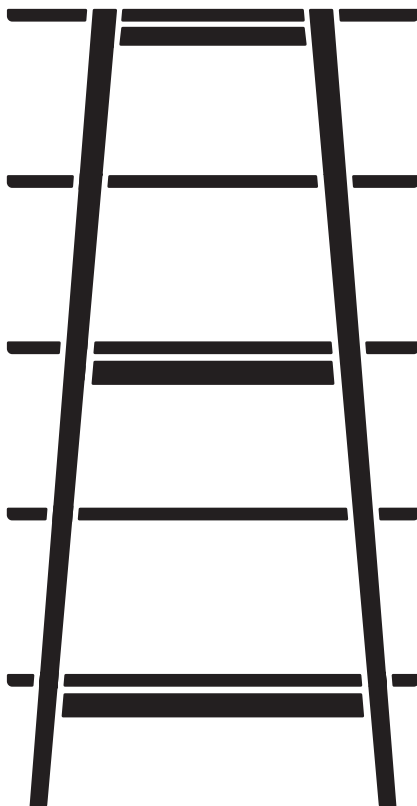


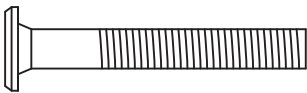
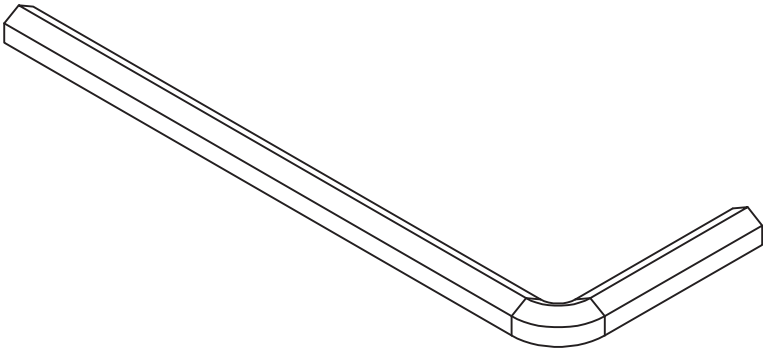
Apanas Tall Bookshelf



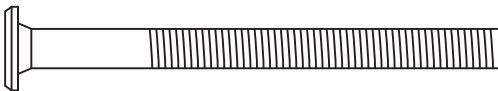
Assembly Guide

What's inside

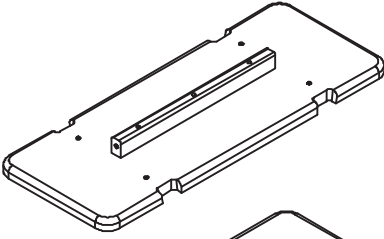
Allen Key
1x



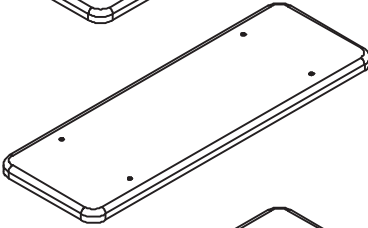
Short Bolt
4x



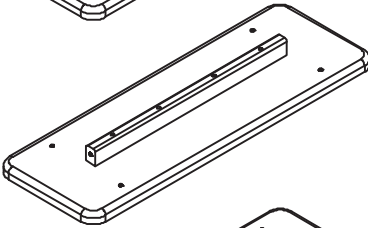
Long Bolt
12x



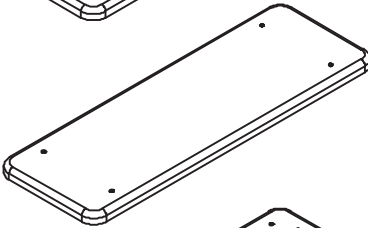
Top Shelf
1x



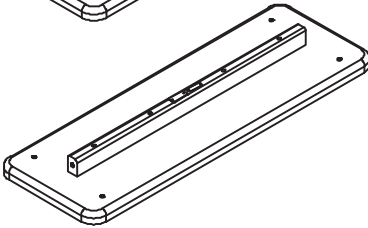
Second Shelf
1x



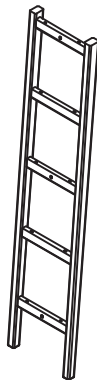
Third Shelf
1x



Fourth Shelf
1x



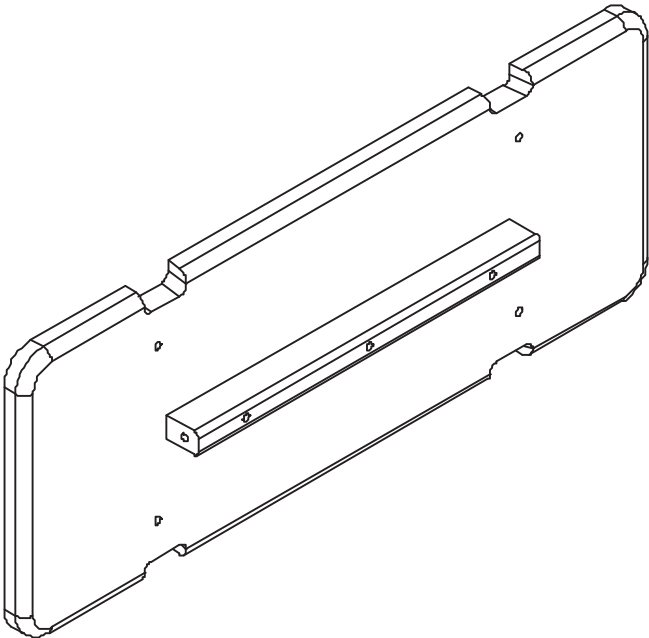
Bottom Shelf
1x



Leg
2x

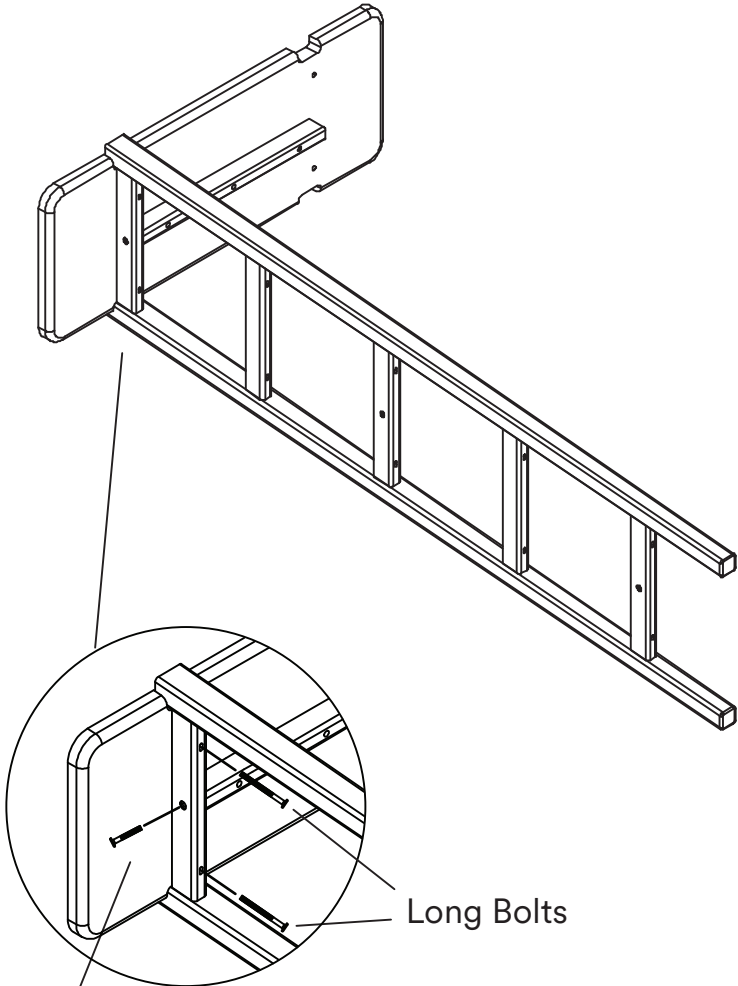
Step 1

Locate the Top shelf, and on a flat, soft surface, stand it on it's edge as shown below.



Step 2

Align a Leg with the Top and secure using 1 short bolt from the side, and 2 long bolts from the bottom.

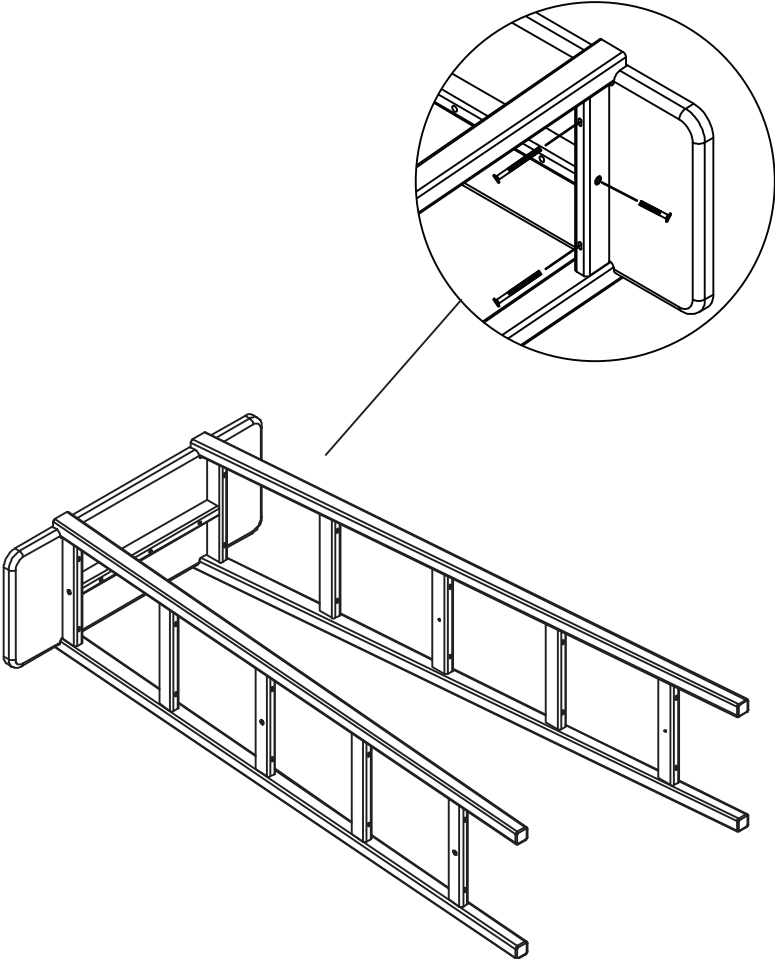


Short Bolt

Long Bolts

Step 3

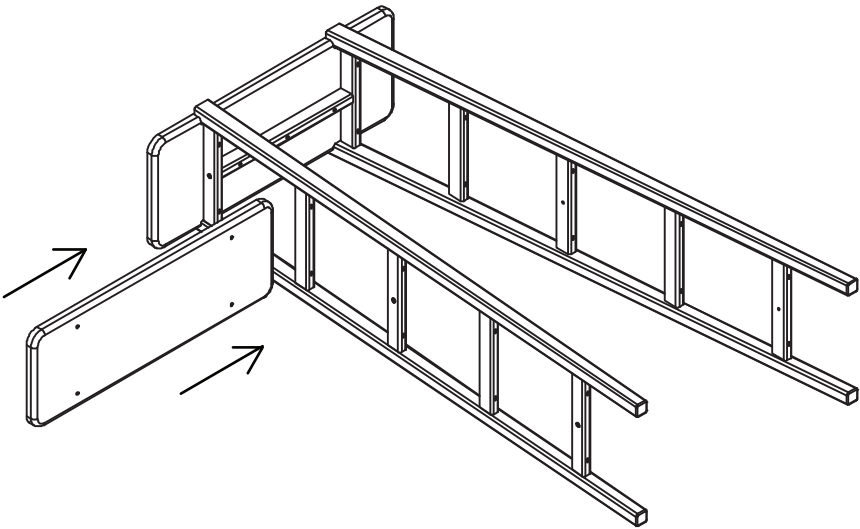
Align the second Leg with the Top and secure using 1 short bolt from the side, and 2 long bolts from the bottom.



Step 4

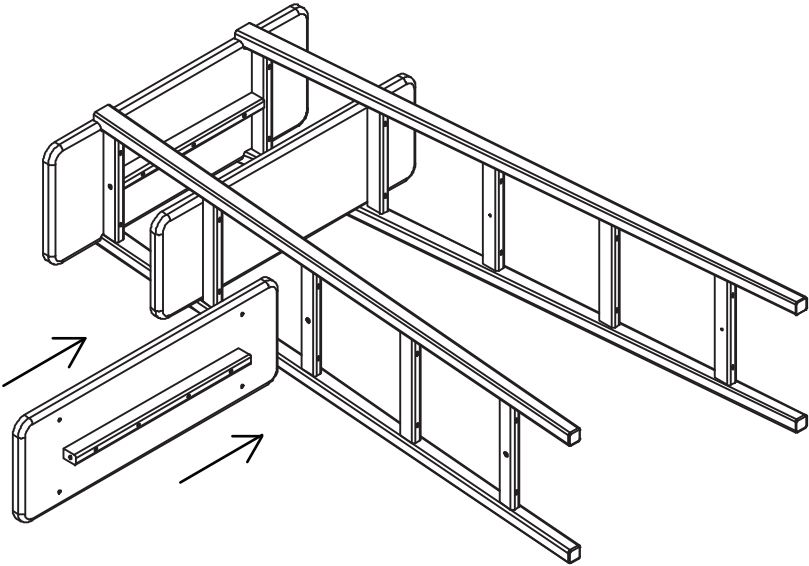
Slide the Second Shelf between the Legs.

Secure using 4 long bolts from the bottom.



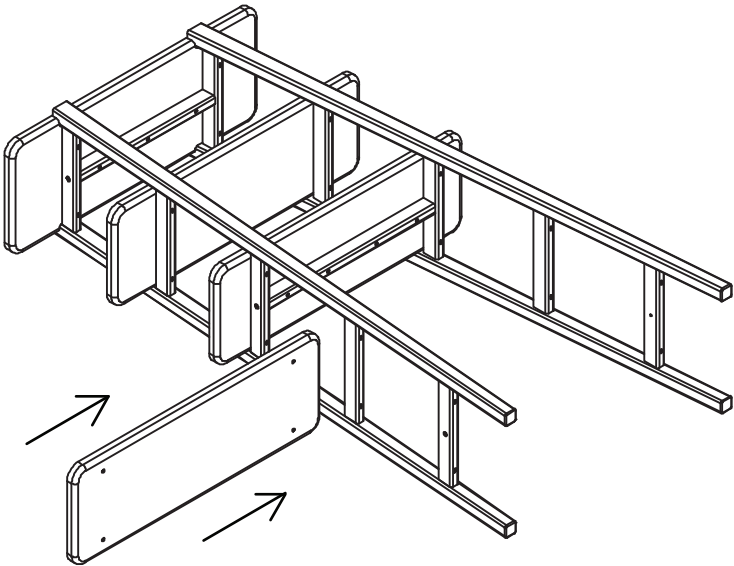
Step 5

Slide the Third Shelf between the legs and secure using 4 long bolts from the bottom and 2 short bolts from the sides.



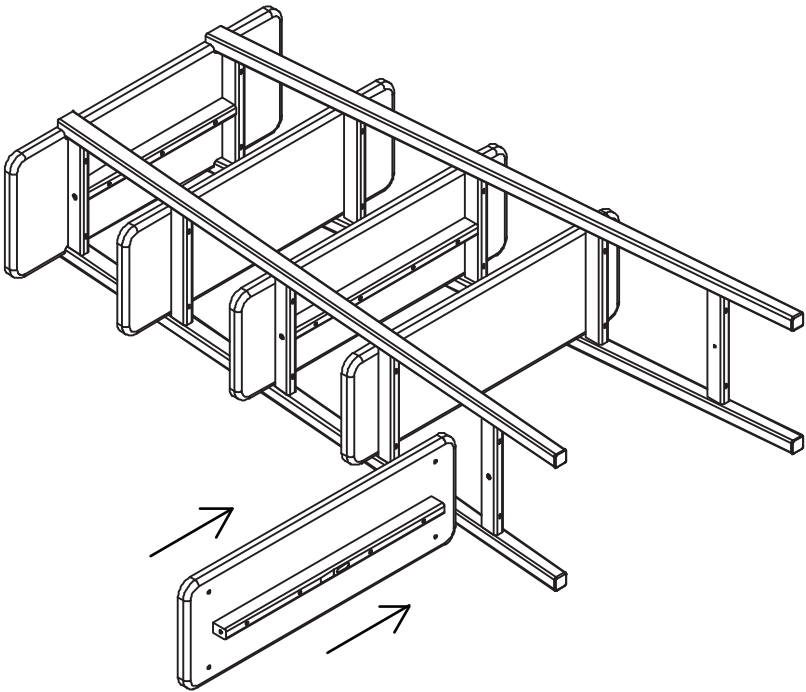
Step 6

Slide the Fourth Shelf between the legs and secure using 4 long bolts from the bottom.



Step 7

Slide the Bottom Shelf between the legs and secure using 4 long bolts from the bottom and 2 short bolts from the sides.



We can't wait to see what you've done with the place. Share your new interior with us on instagram and don't forget to tag us!

@masayaco #mymasaya