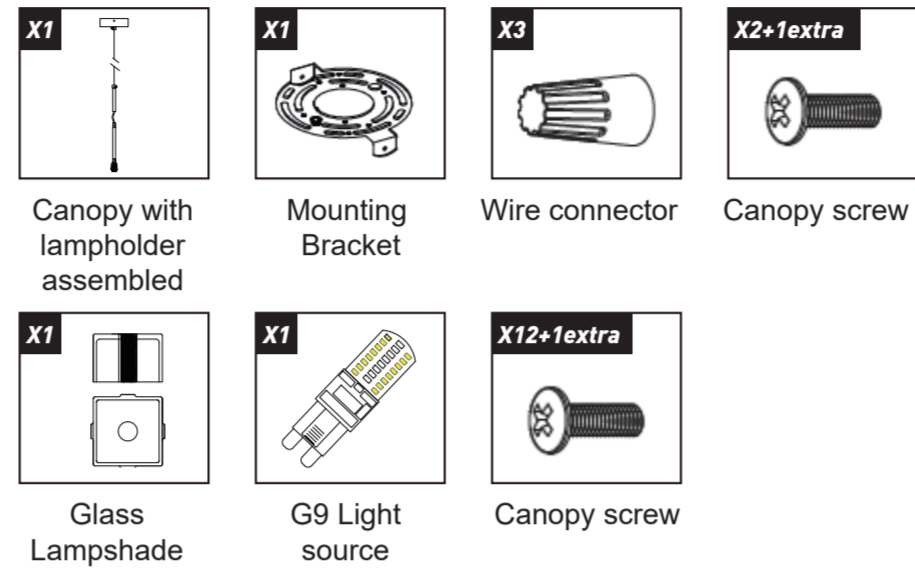




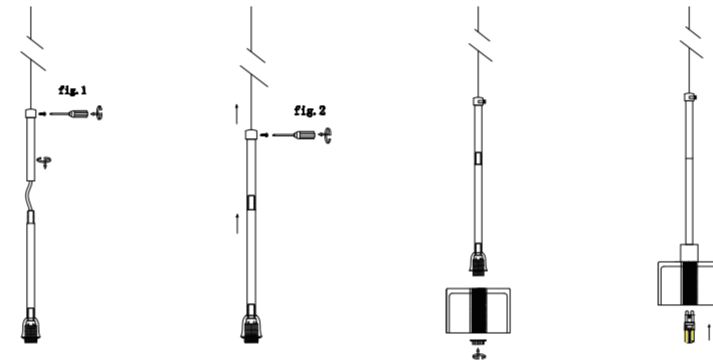
CPS50254 1D

INSTRUCTION MANUAL



ASSEMBLY INSTRUCTIONS

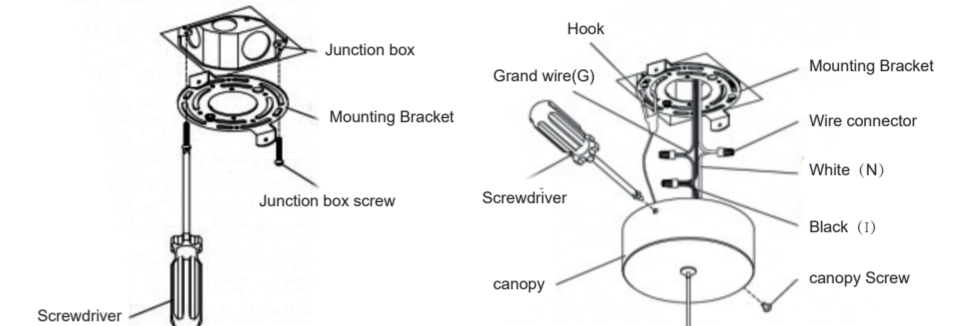
1 Loosen the fixing screw first, then insert the butt-joint pipe into the other end of the iron pipe and connect the two pipes according to the direction of the pipe. Adjust the extra wire and pull out the light. Finally fix the wire clockwise with the fixing screw. Pay attention in the process of connecting the tube, do not turn with the wire, so as to avoid the wire and lamp, or the wire skin cut caused by leakage.



2 Turn the stationary ring counterclockwise from the lamp body and remove the ring. The glass lampshade is then mounted on the lamp body with a fixed lamp cap ring. Pay attention to install the lampshade must be fixed to the lamp, in the process of twisting the lamp ring if teeth are not good enough, please contact the supplier for replacement.

3 Turn off power at the circuit breaker and the light switch. Ensure the power is off before continuing.

4 Install the mounting bracket on the junction box using the junction box screws (fig. 3).



The brightness of the light source can be adjusted according to the installation requirements, please take care not to exceed the maximum power requirements of the lamp.

CARE AND MAINTENANCE

Shut off main power supply. Wipe fixture with soft, damp cloth. Use mild cleaner to clean shade. Do not use an abrasive cleaner on fixture.

WARNING:

Changes or modifications to this unit not expressly approved by the party responsible for compliance could void the user's authority to operate the equipment.

This device complies with Part 15 of the FCC Rules. Operation is subject to the following two conditions:

1 this device does not cause harmful interference, and
2 this device must accept any interference received, including interference that may cause undesired operation. NOTE: This equipment has been tested and found to comply with the limits for Class B digital device, pursuant to part 15 of the FCC Rules. These limits are designed to provide reasonable protection against harmful interference in a residential installation. This equipment generates, uses and can radiate radio frequency energy and, if not installed and used in accordance with the instructions, may cause harmful interference to radio or television reception. However, there is no guarantee that interference will not occur in a particular installation. If this equipment causes harmful interference to radio or television reception, which can be determined by turning the equipment off and on, the user is encouraged to try to correct the interference by one or more of the following measures: Reorient or relocate the receiving antenna. Increase the separation between the equipment and the receiver. Connect the equipment into an outlet on a circuit different from that to which the receiver is connected. Consult the dealer or an experienced radio/TV technician for help.

HEIGHT ADJUSTMENT

NOTE: It is recommended to make any major adjustments to the height of the light fixture before installation.

1 With the power off, measure the distance from the ceiling to the bottom of where you would like your light fixture to hang.

2 To retract the wire, gently push it into the light fixture base (fig. 1).

3 To extend the wire, push the metal collar while gently pulling the wire down (fig. 2). When the metal collar is released, the wire will be fixed into position.

4 Once the wire is at the desired length, turn the fixture over and slide the plastic wire retainer up to the wire nut, to prevent the pendant from slipping down when in use.

