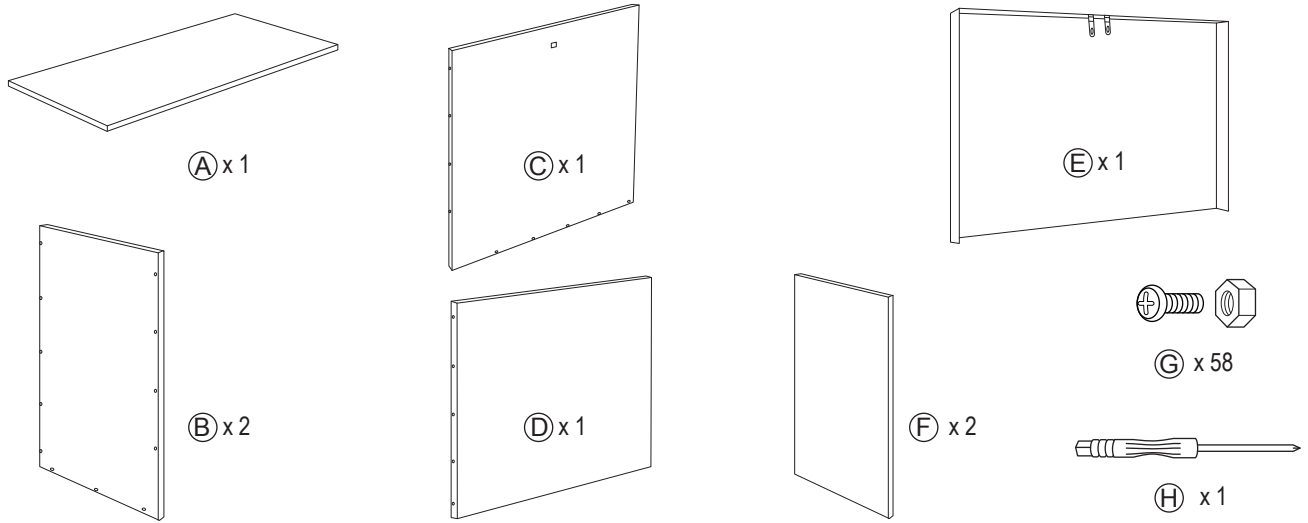
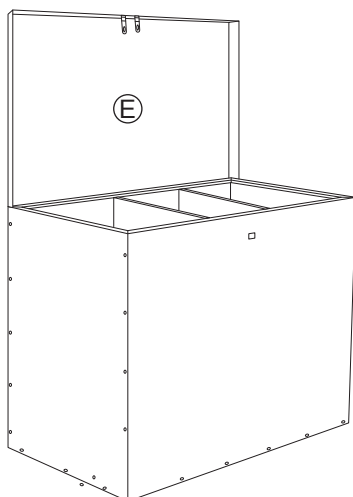
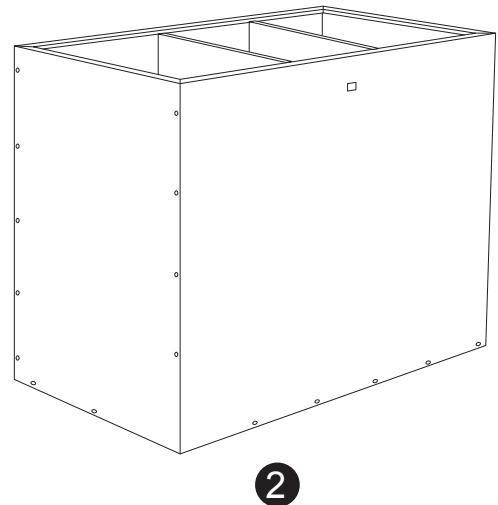
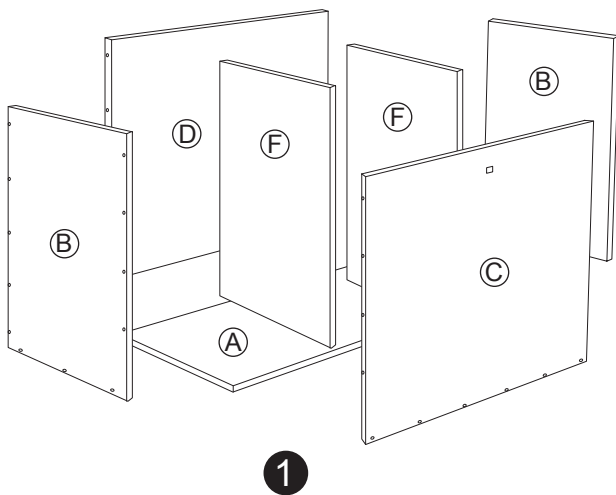


# Metal three-compartment storage box

## Product accessories



## Schematic diagram of installation instructions



### INSTALLATION INSTRUCTIONS:

Use H to lock the holes in G and A, B, C, D and E, respectively!