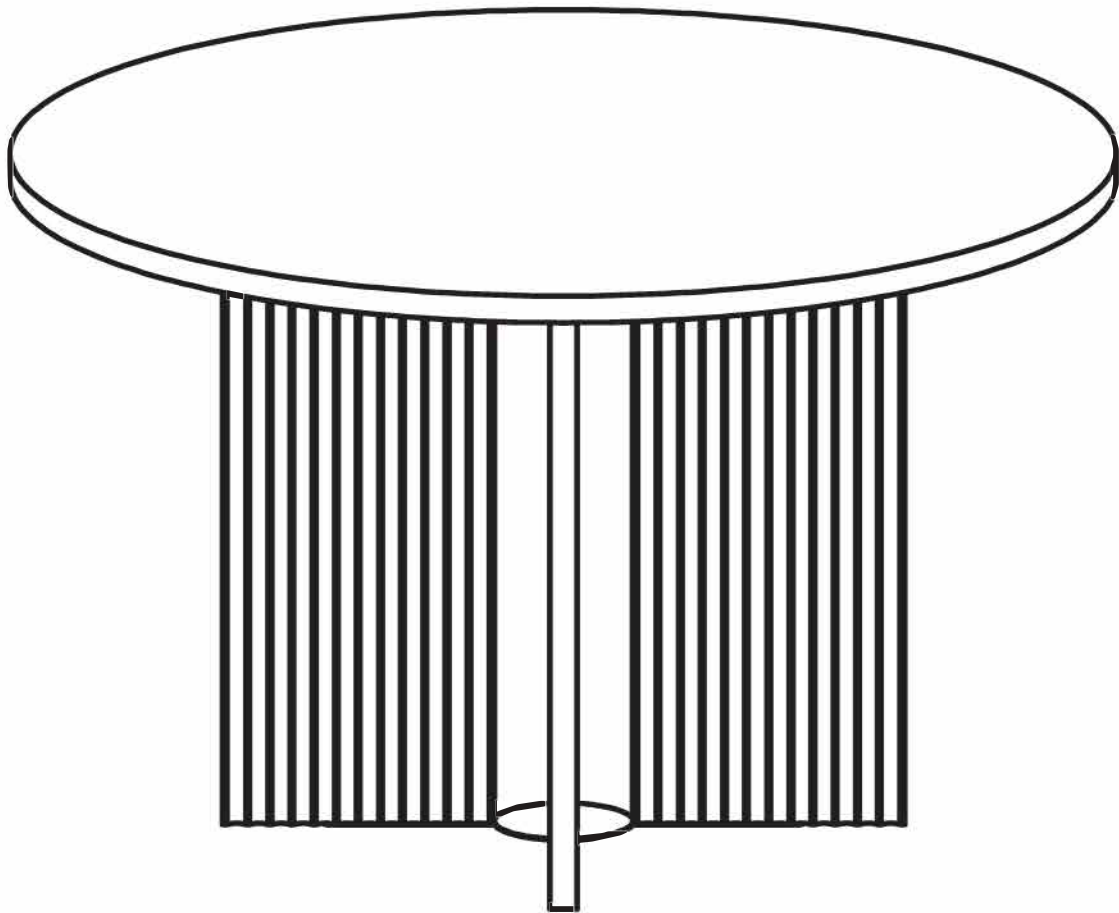
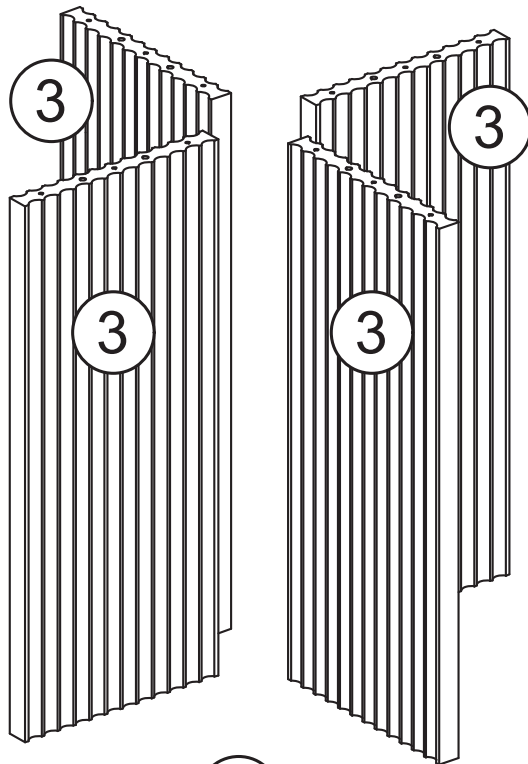
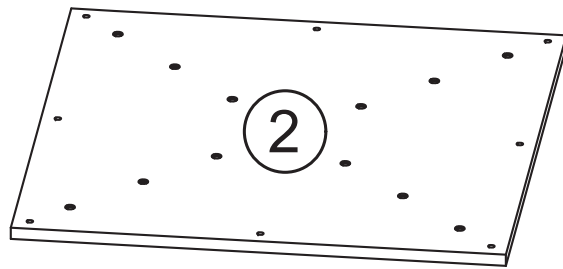
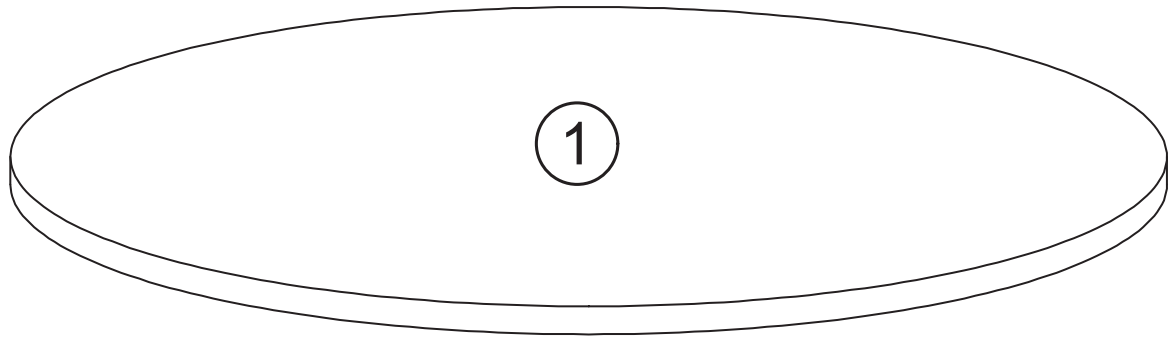


ASSEMBLY INSTRUCTIONS



If you need any help during assembly, please contact us

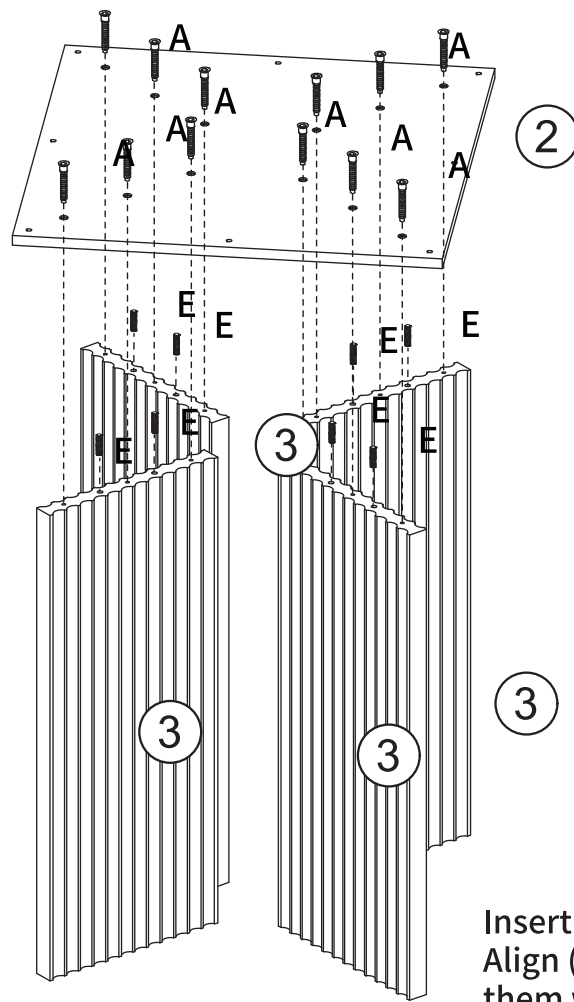
Sharing a video and a brief description of where you're stuck will help us assist you better.



Package Contents: Hardware *Please count and verify all parts before assembly.*

A × 12 + 2 pcs	B × 8 + 2 pcs	C × 12 + 2 pcs	D × 4 pcs	E × 8 + 2 pcs	F	M
		Ø4x16mm	Ø6x15mm	Ø8x30mm	M4	

1



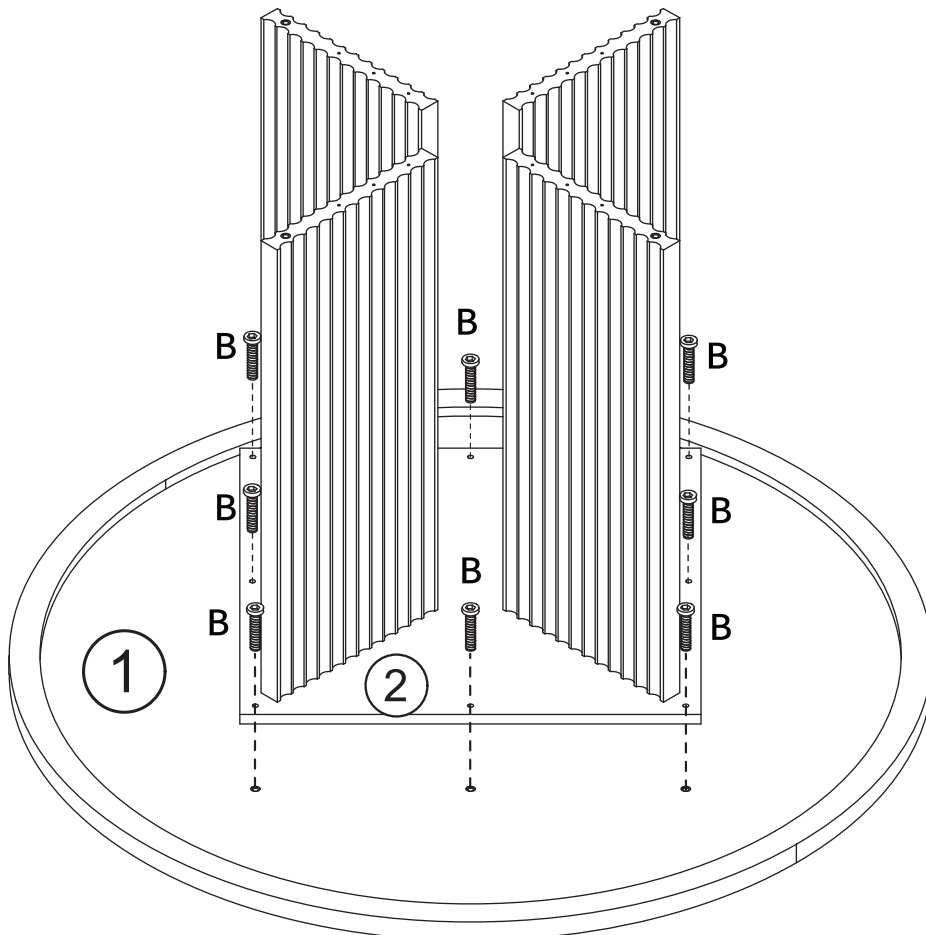
A × 12pcs

E × 8pcs



Insert (E) into the hole of (3) as shown.
Align (2) with the holes of (3) and secure them with (A).

2

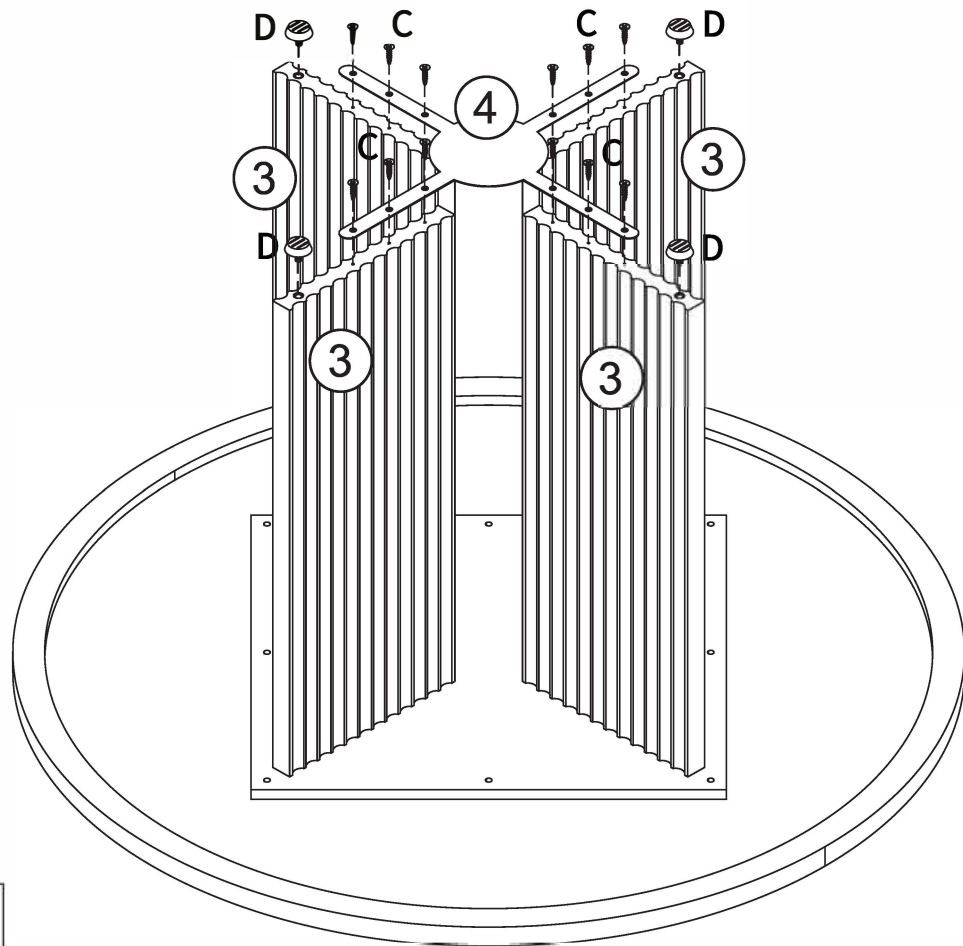


B × 8pcs



Connect (2) to (1) and secure them with (B).

3

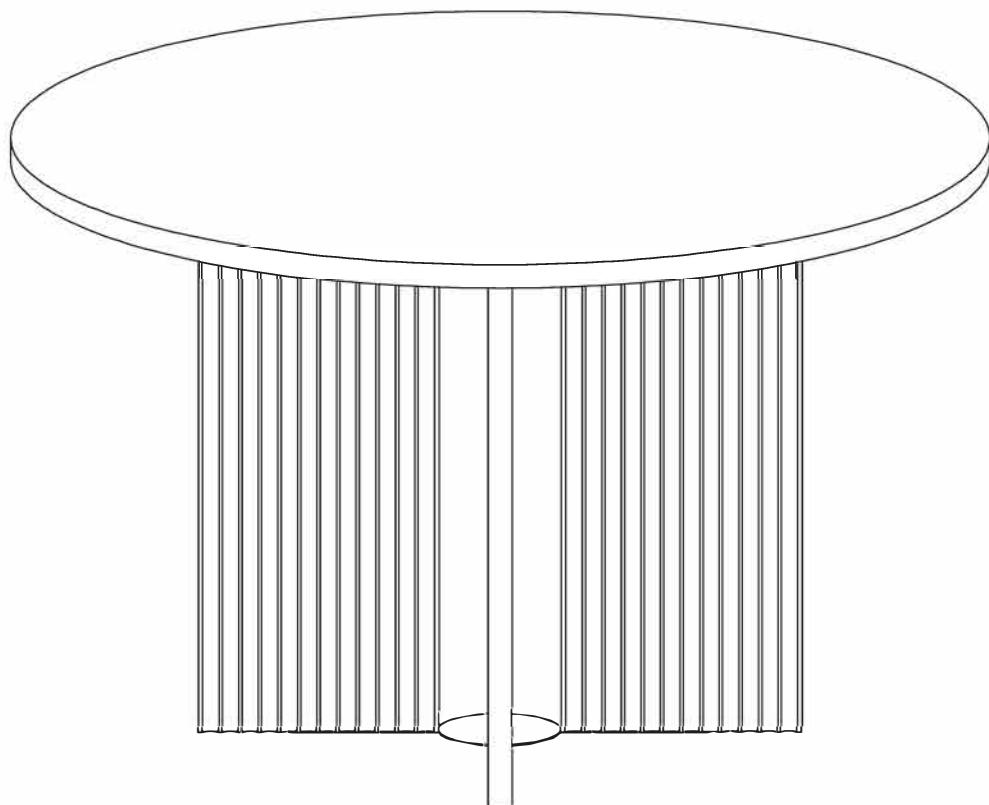


C × 12pcs D × 4pcs



Attach (4) to (3) and secure it with (C).
Screw (D) into the hole of (3).
Tip: If the table wobbles on uneven surfaces,
adjust the leveling foot (D) until stable.

4



Done!