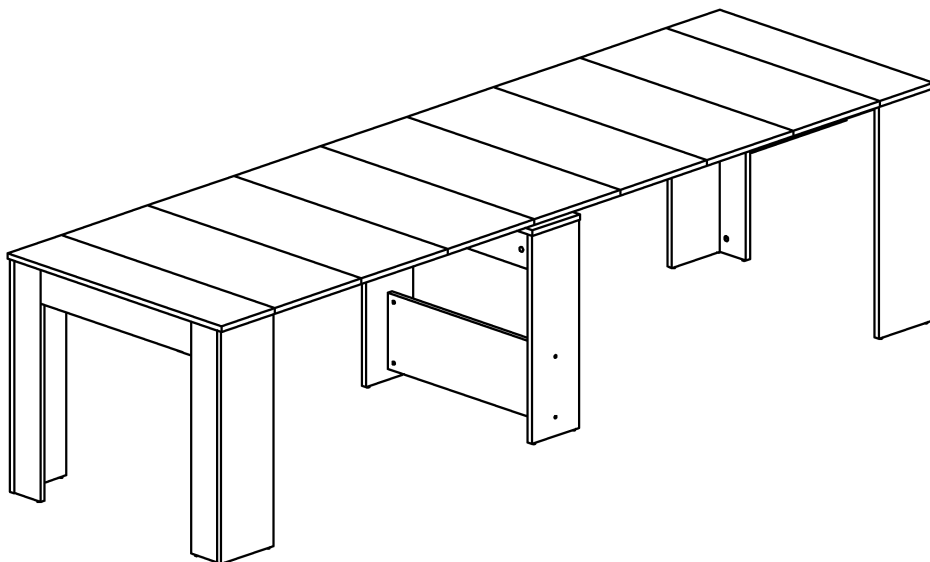
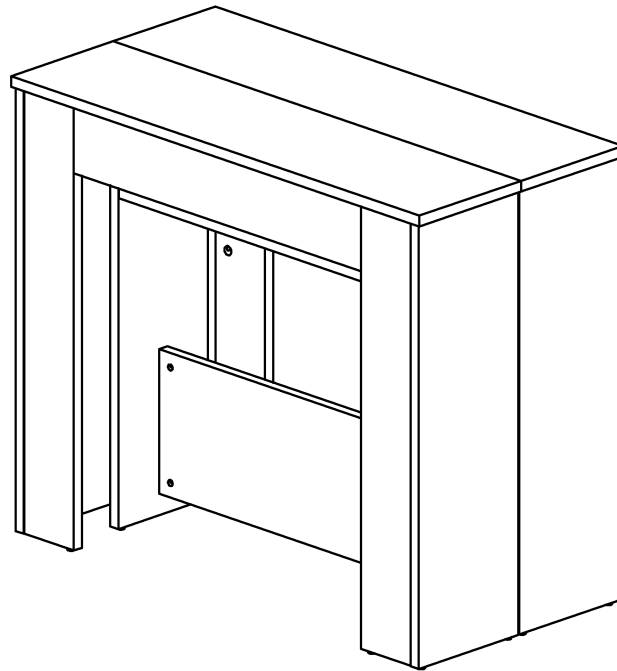
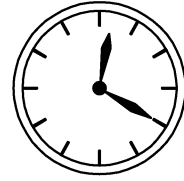
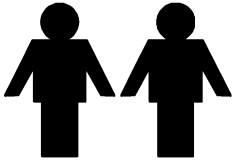
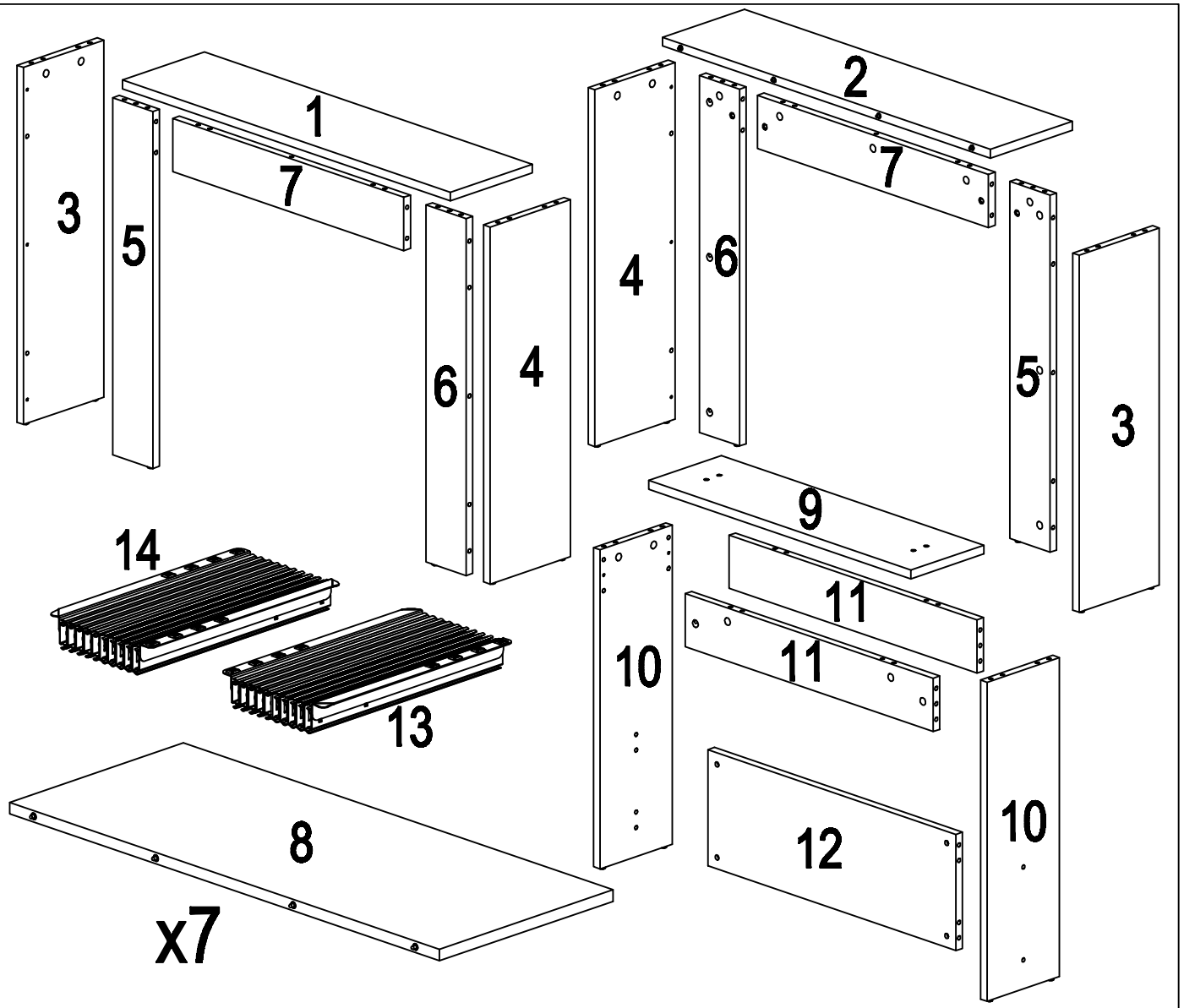



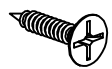
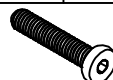


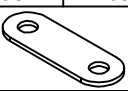
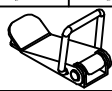



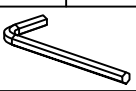
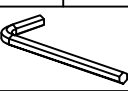



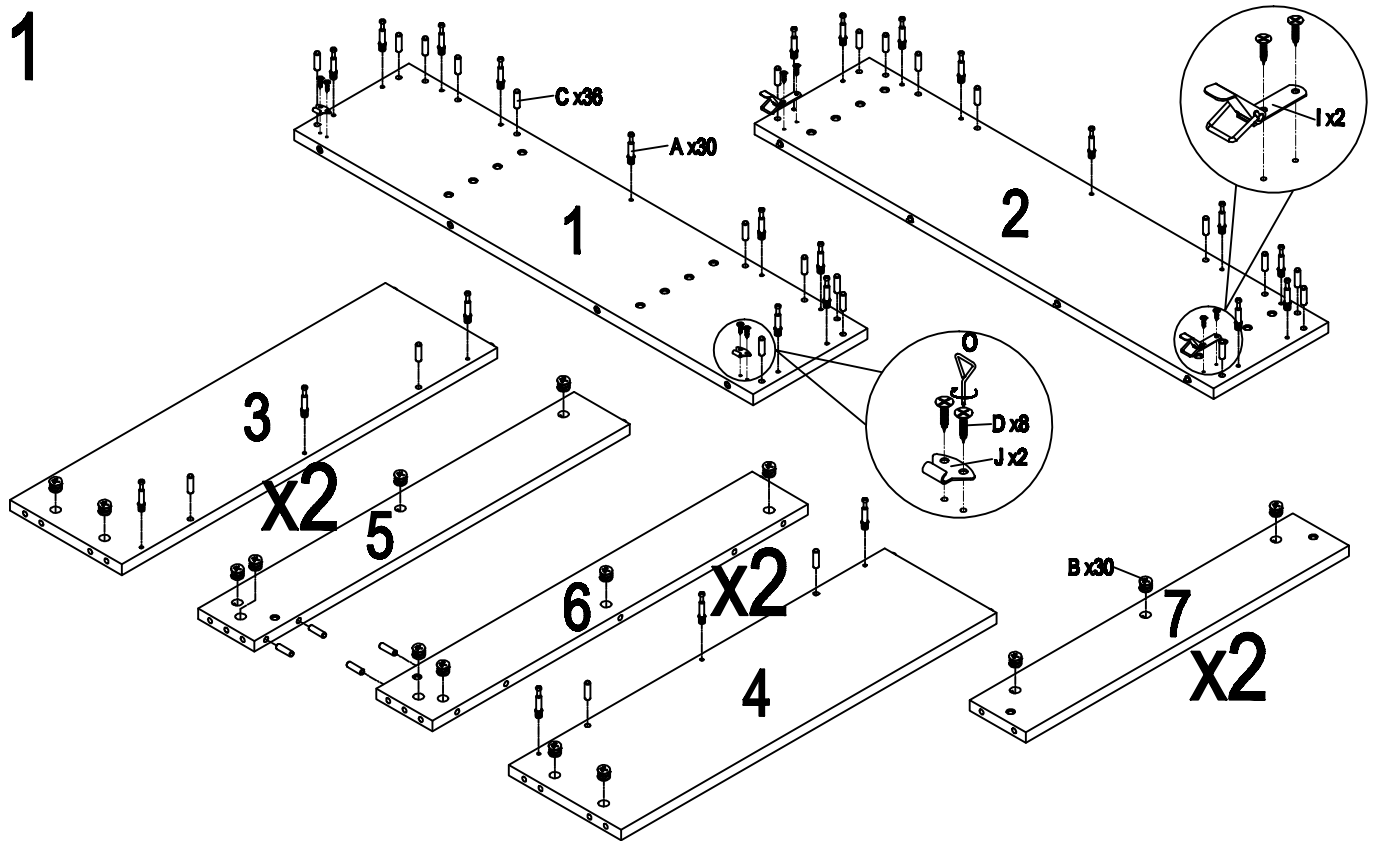
# ASSEMBLY INSTRUCTIONS





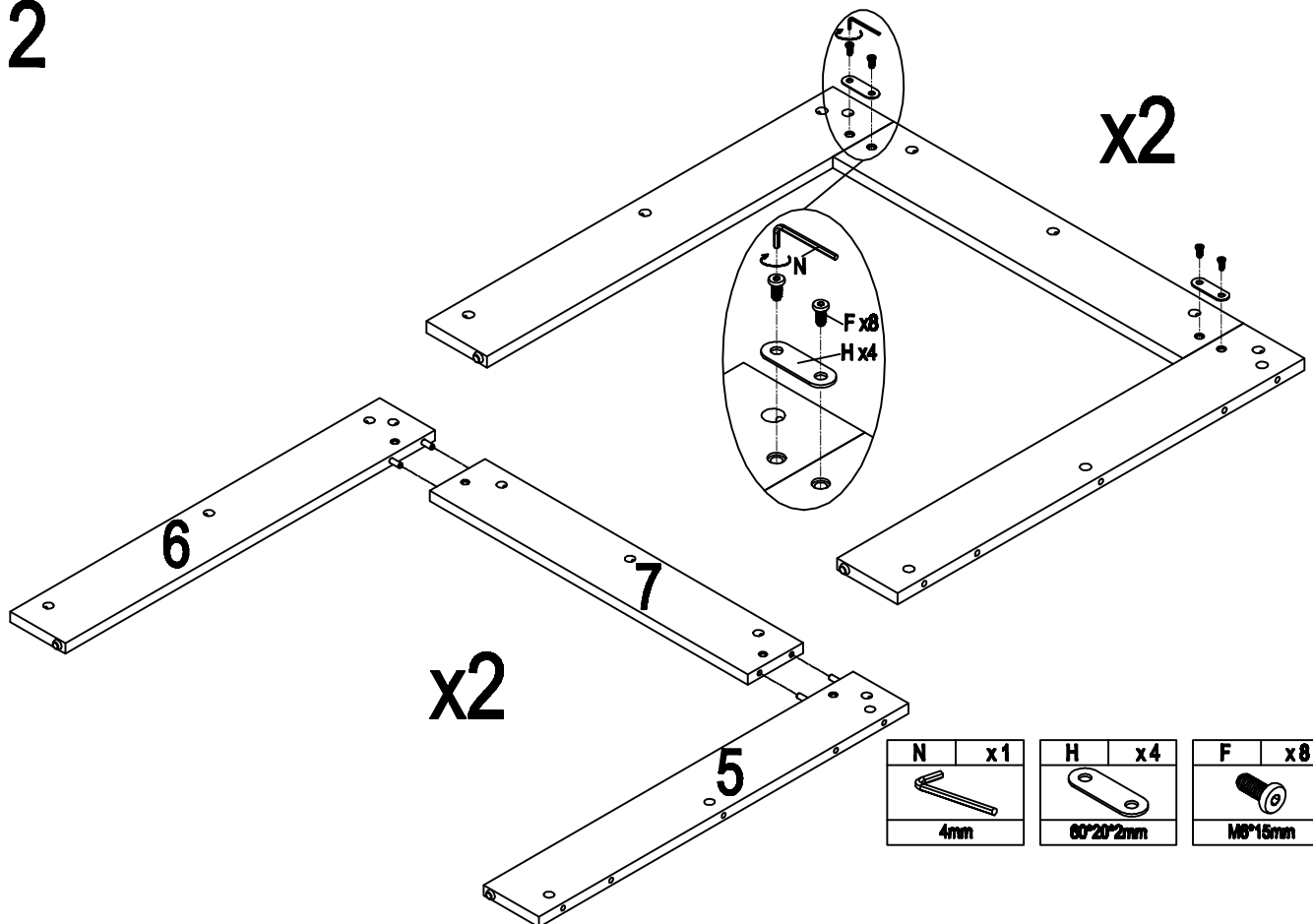
<b>+Spare X 2</b>	<b>+Spare X 2</b>	<b>+Spare X 2</b>	<b>+Spare X 2</b>	<b>+Spare X 1</b>	<b>+Spare X 2</b>
<b>A</b> x 44	<b>B</b> x 44	<b>C</b> x 60	<b>D</b> x 66	<b>E</b> x 5	<b>F</b> x 26
					
Ø7*35mm	Ø15*12mm	Ø7.8*30mm	4*14mm	M6*45mm	M6*15mm
<b>+Spare X 2</b>		<b>+Spare X 1</b>	<b>+Spare X 1</b>	<b>+Spare X 1</b>	<b>+Spare X 1</b>
<b>G</b> x 18	<b>H</b> x 4	<b>I</b> x 17	<b>J</b> x 17	<b>K</b> x 5	<b>L</b> x 5
					
Ø16*1.5mm	60*20*2mm			M6*9.5*10.5mm	M8*25mm
<b>M</b> x 1	<b>N</b> x 1	<b>O</b> x 1			
					
5mm	4mm				

# 1



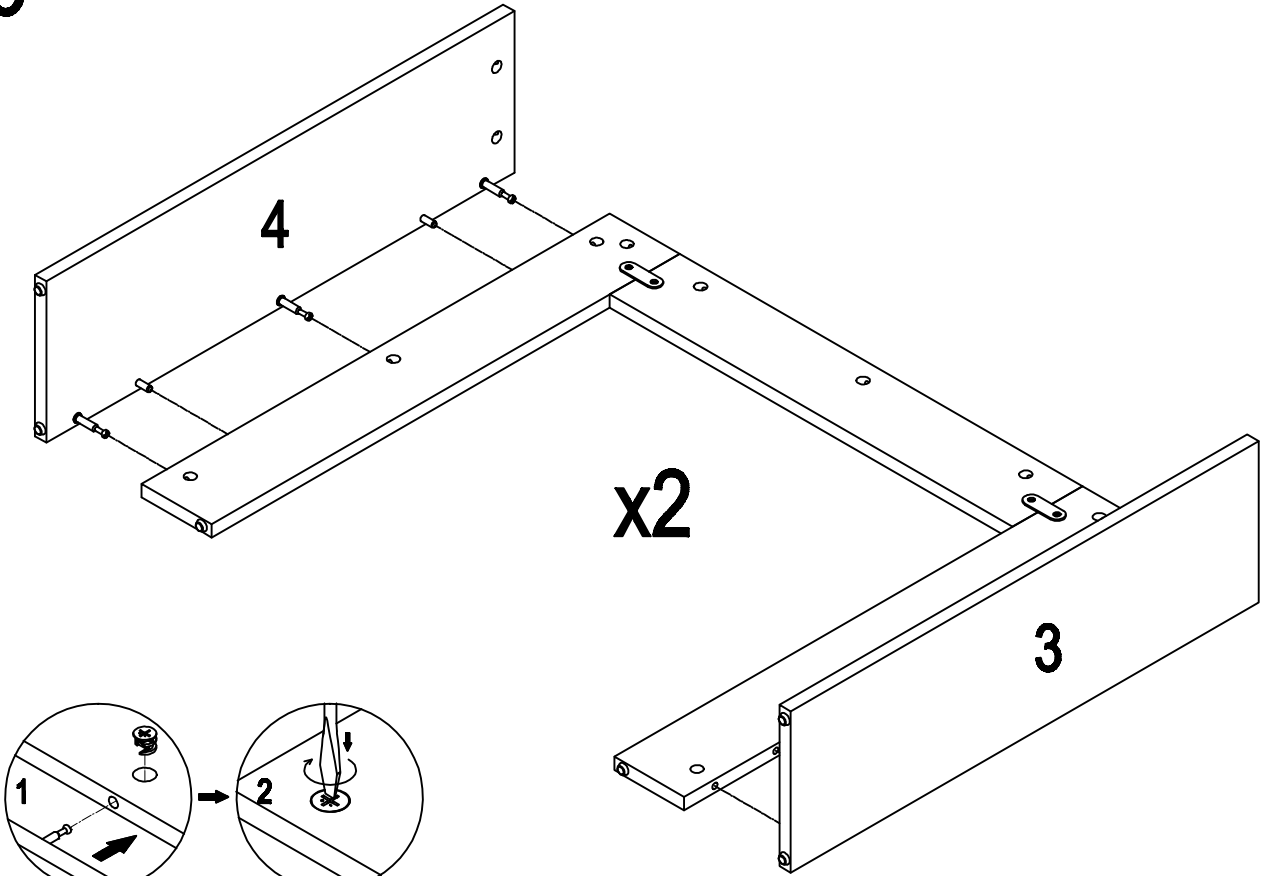
A	x30	B	x30	C	x36	D	x8	I	x2	J	x2	O	x1
Ø7*35mm		Ø15*12mm		Ø7.8*30mm		4*14mm							

# 2

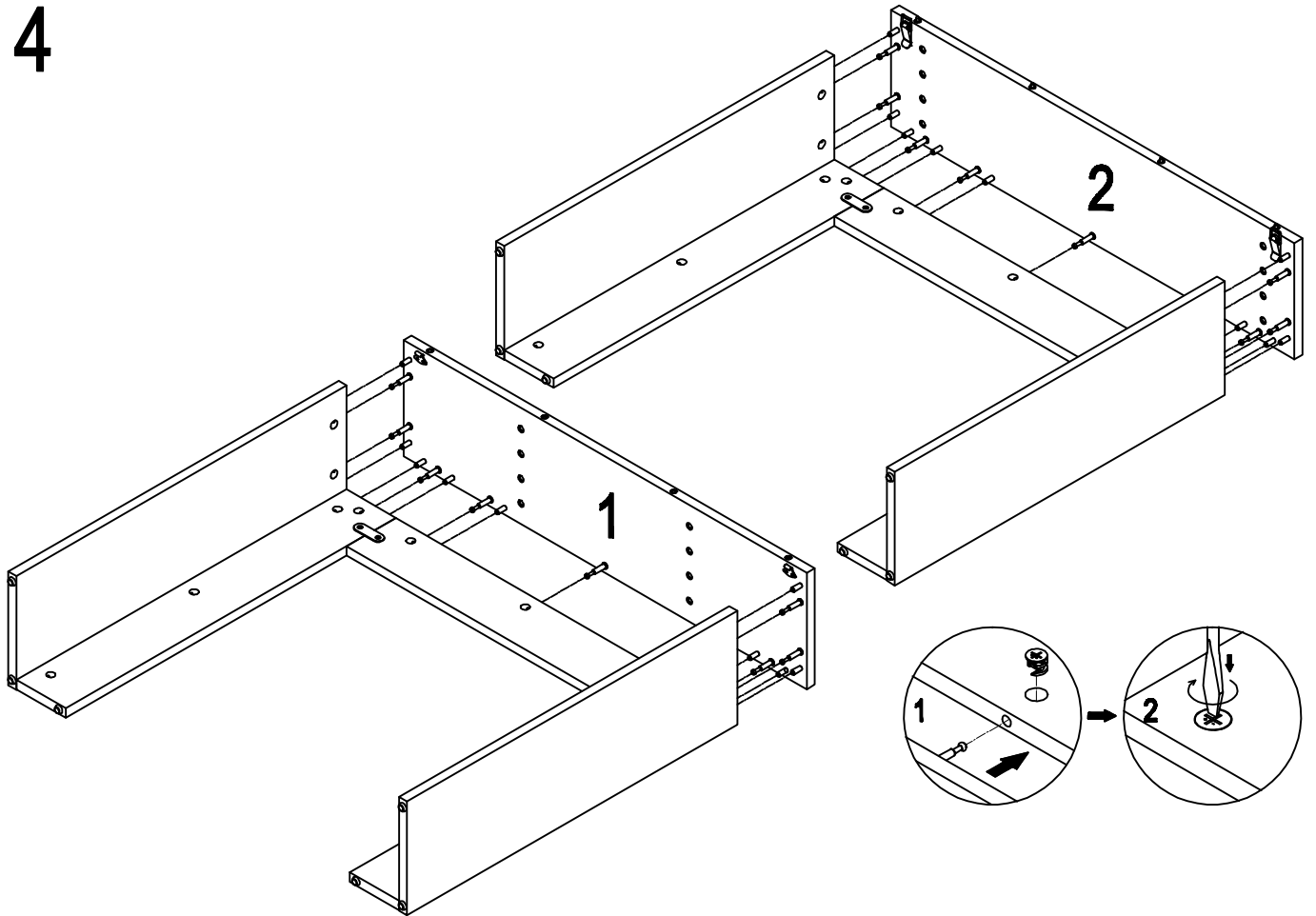


N	x1	H	x4	F	x8
4mm		60*20*2mm		M6*15mm	

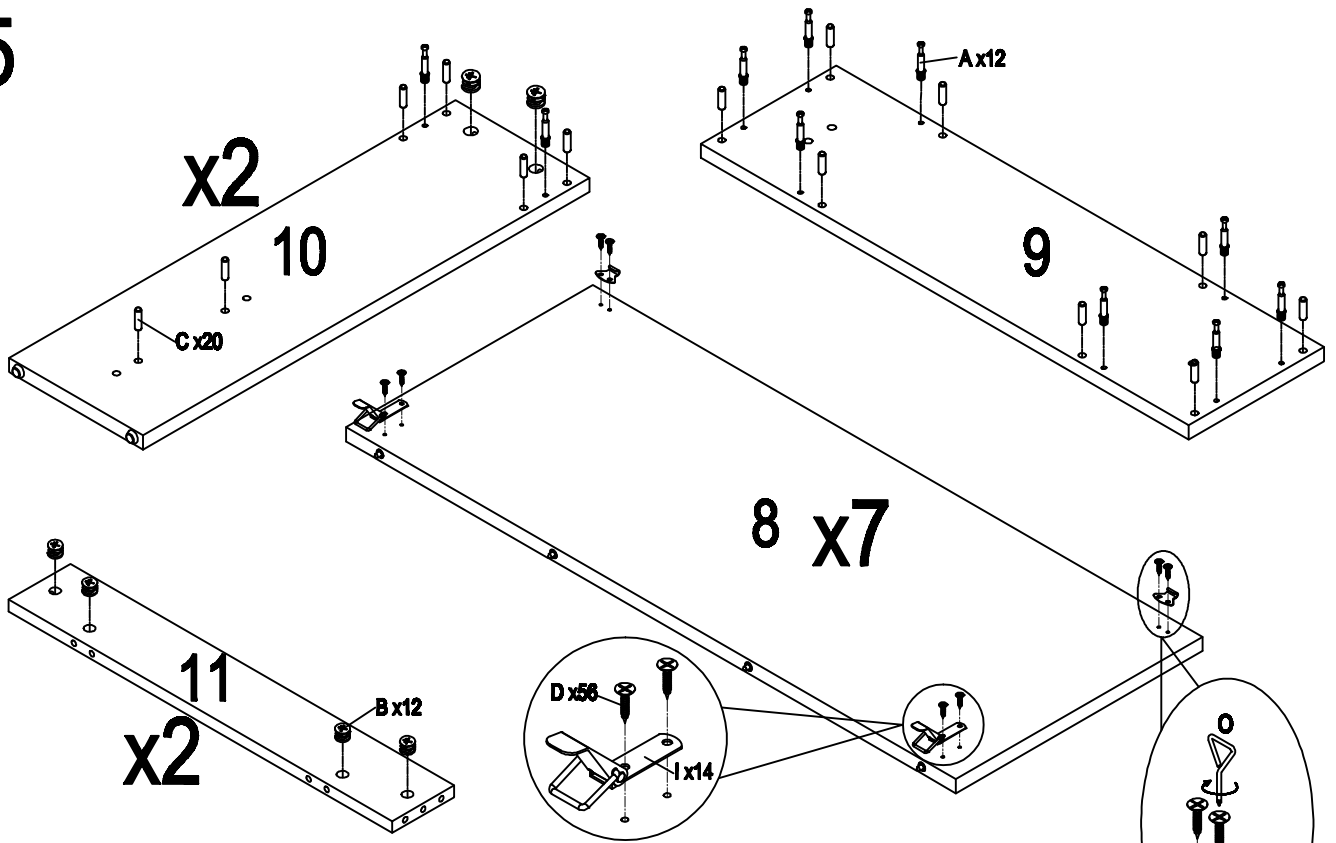
3



4

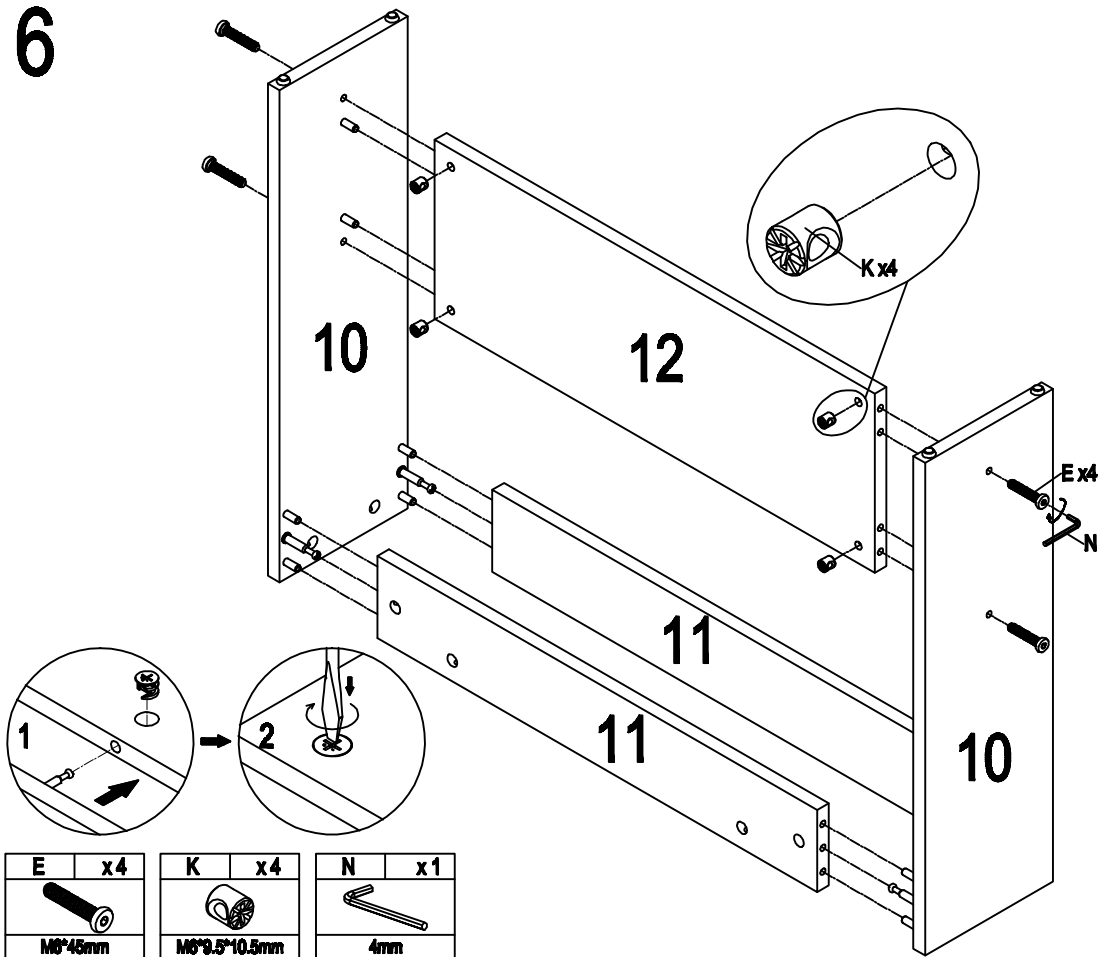


5



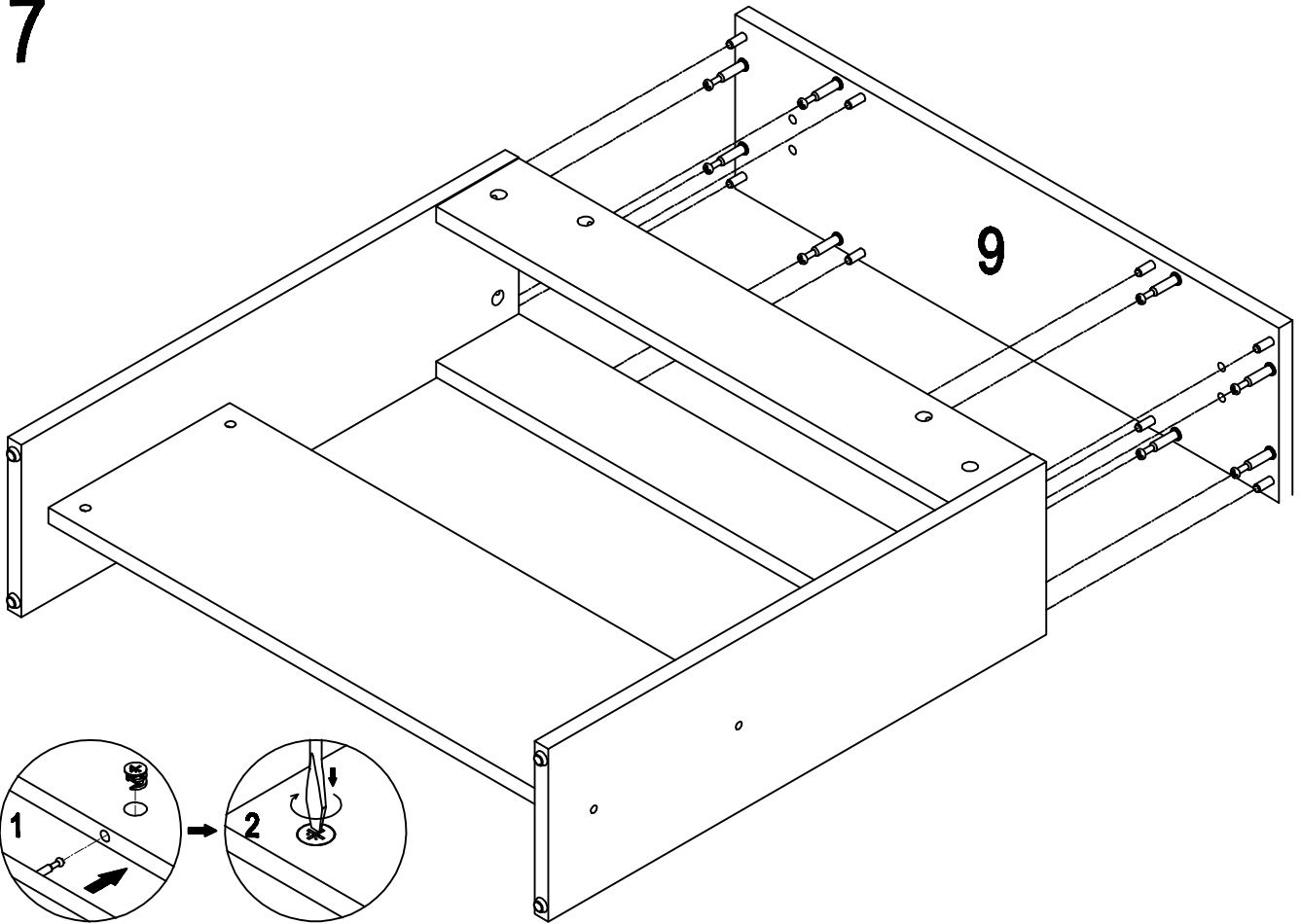
A	x12	B	x12	C	x20	D	x56	I	x14	J	x14	O	x1
Ø7*35mm		Ø15*12mm		Ø7.8*30mm		4*14mm							

6

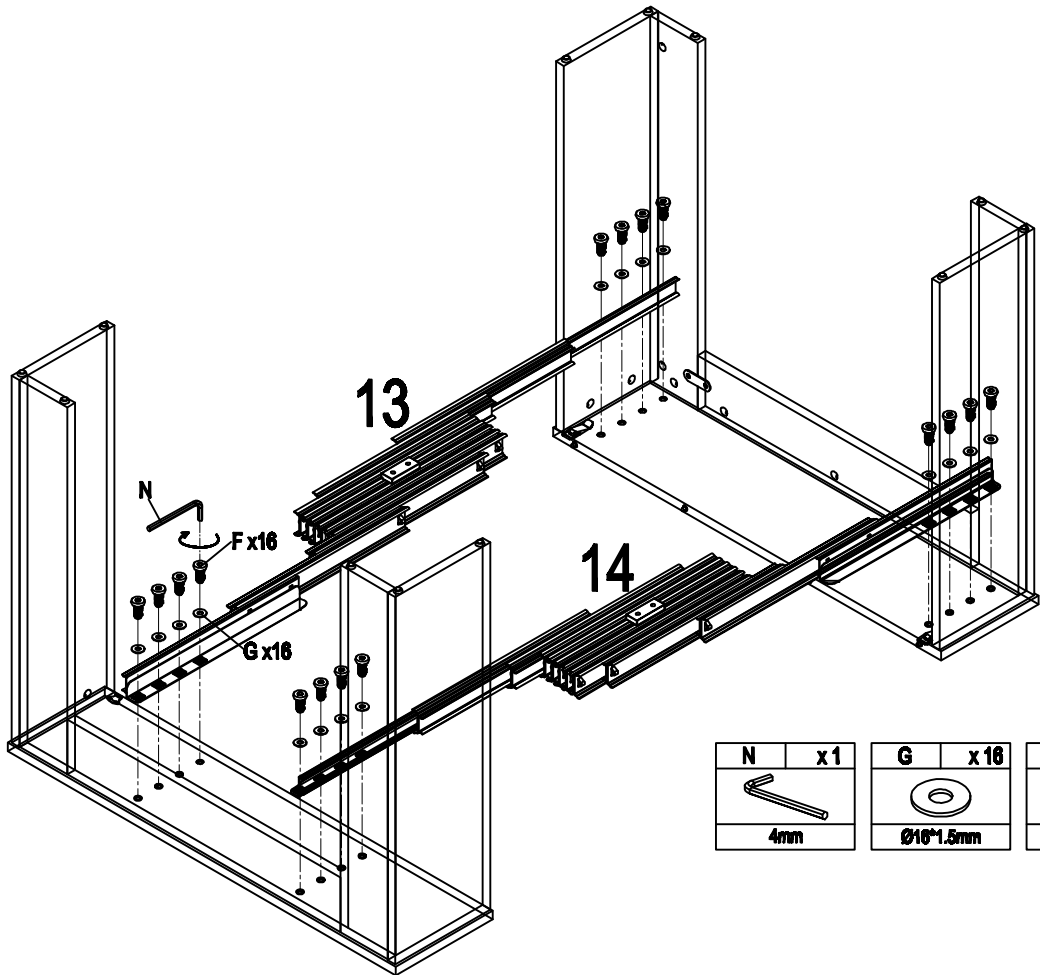


E	x4	K	x4	N	x1
MØ45mm		MØ9.5*10.5mm		4mm	

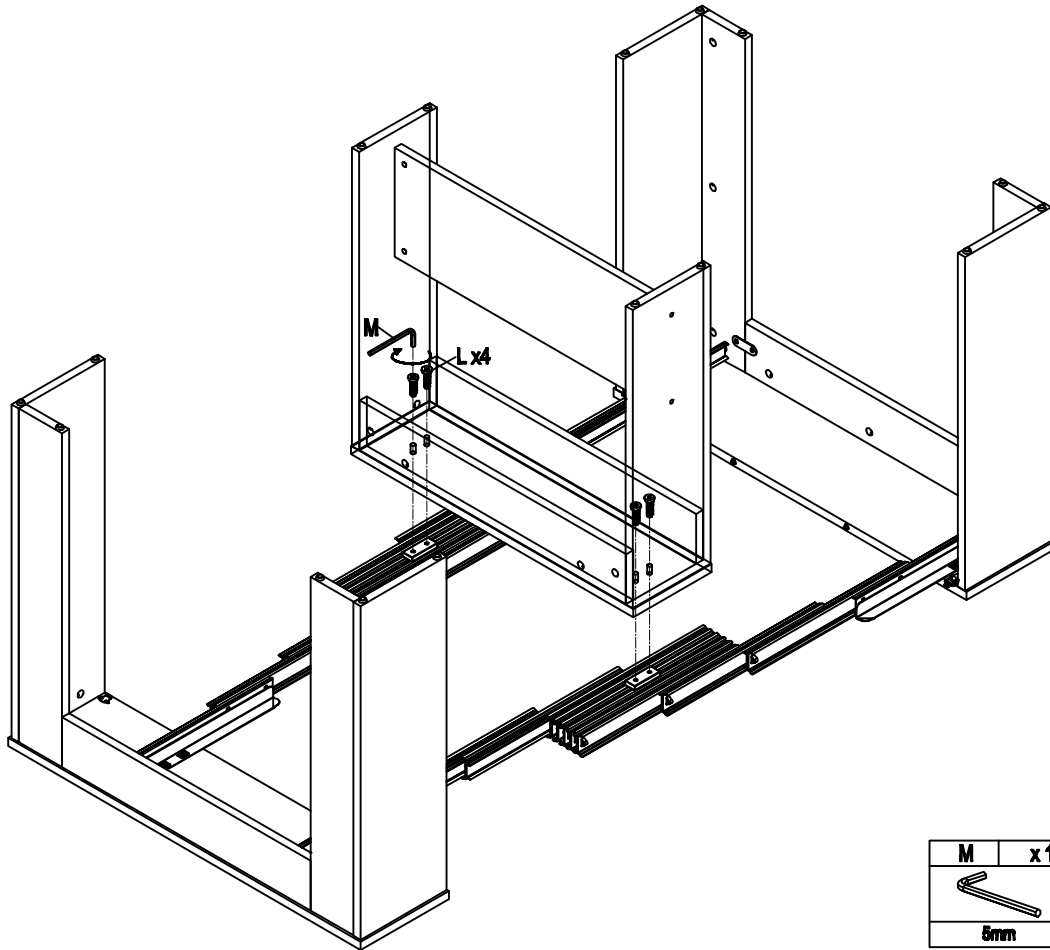
# 7





# 8

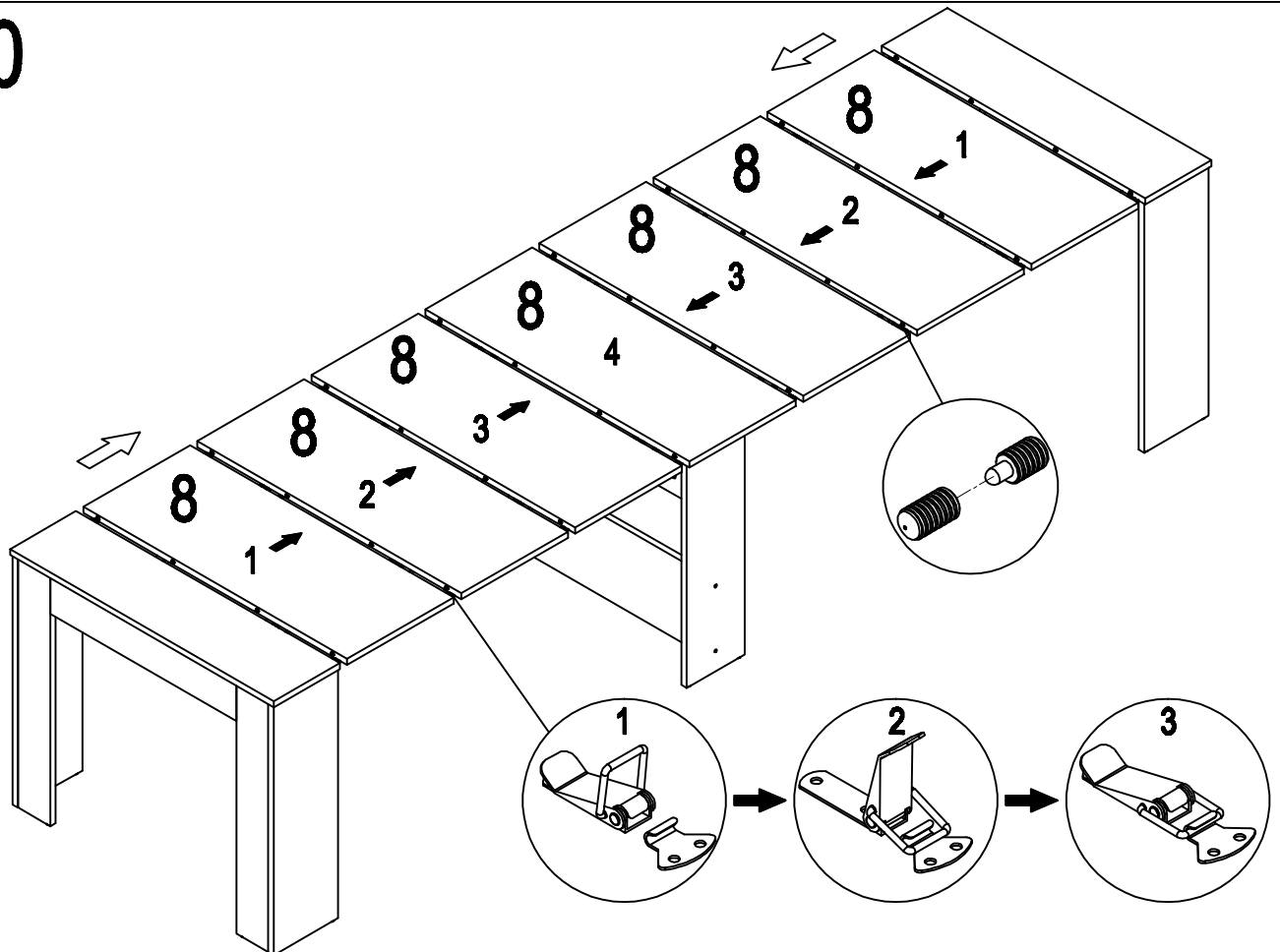


# 9



M	x1	L	x4
			
5mm		M5x25mm	

# 10



11

