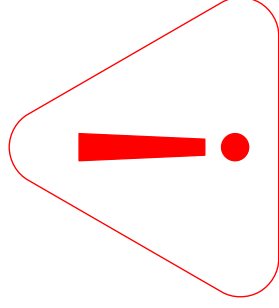
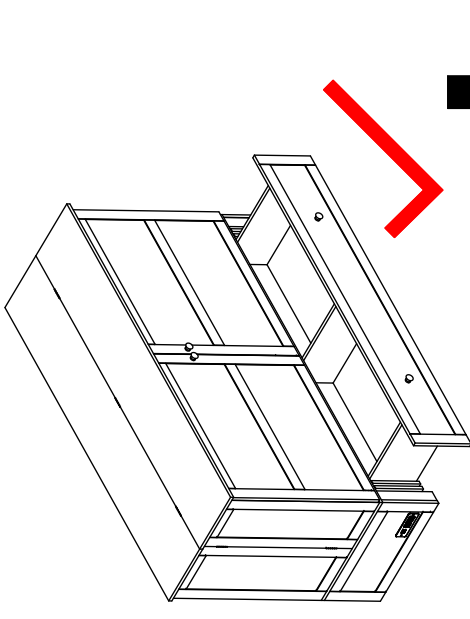
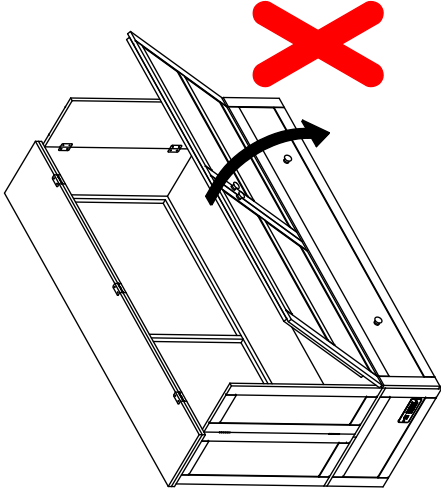
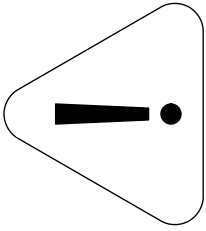
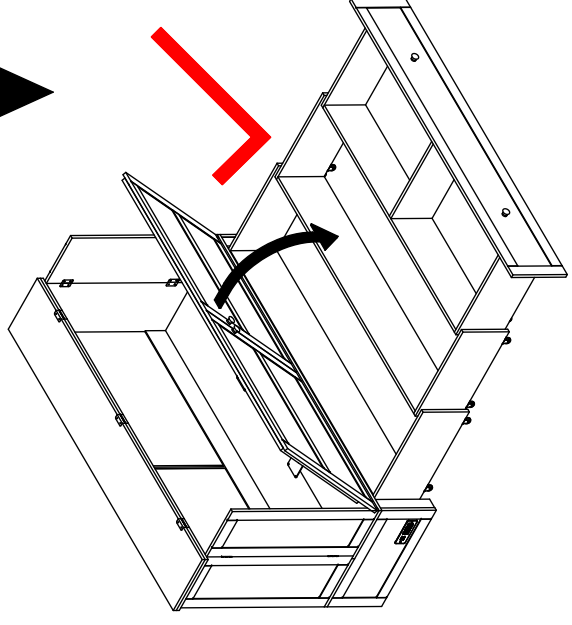
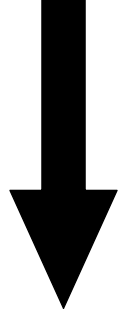
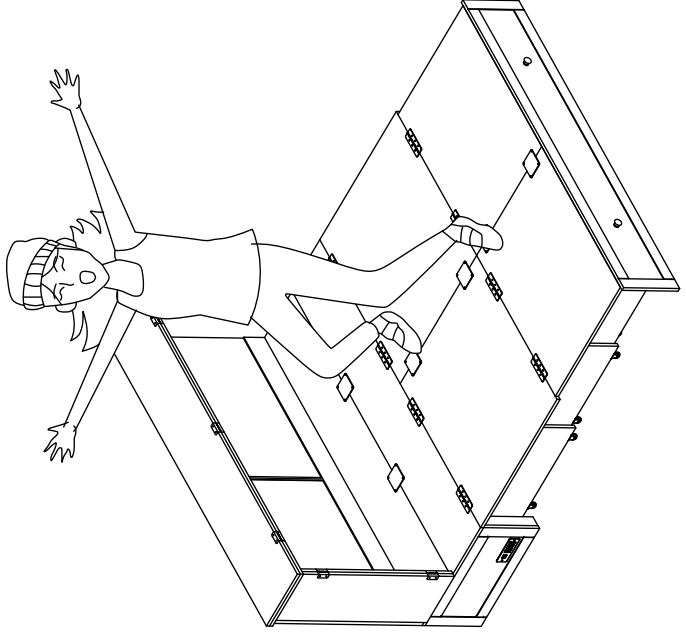


Product Usage Instructions



NO JUMPING

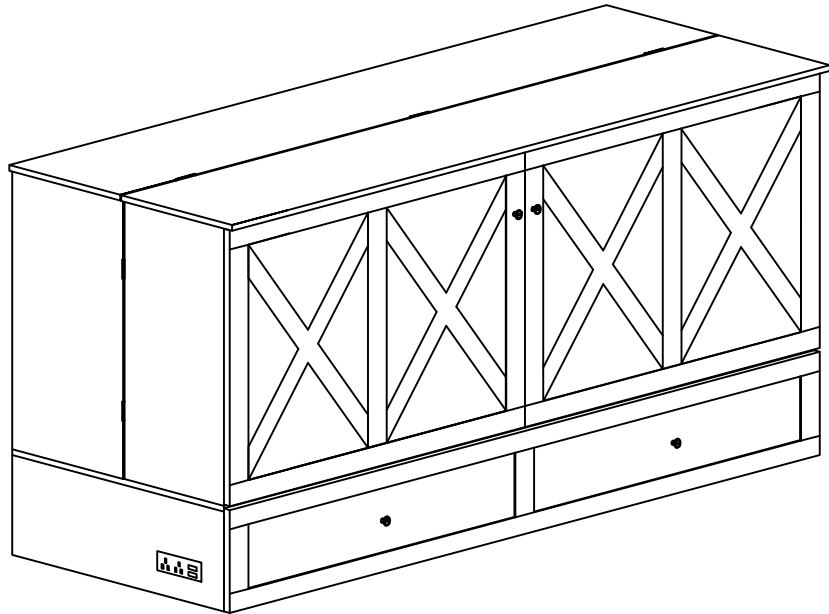


INSTALLATION GUIDE

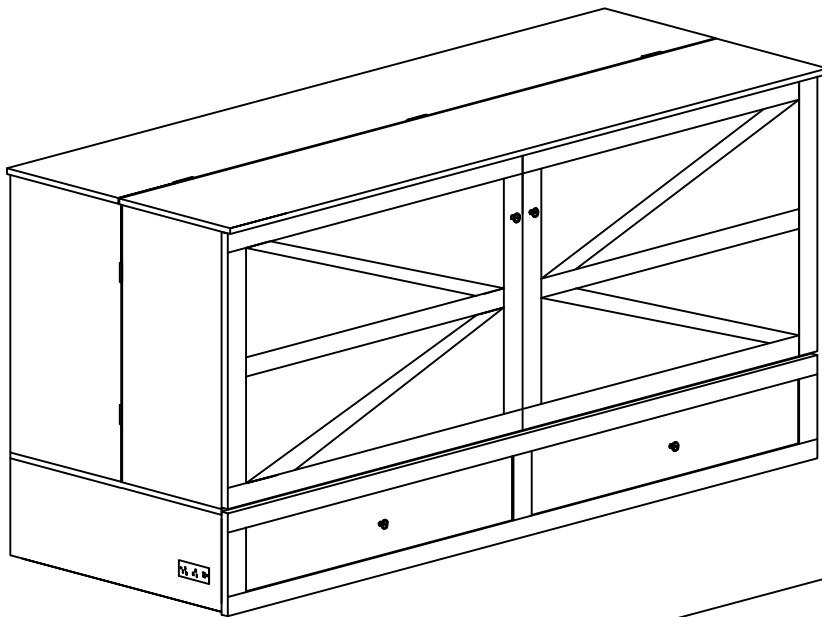


Suggest using electric tools for installation

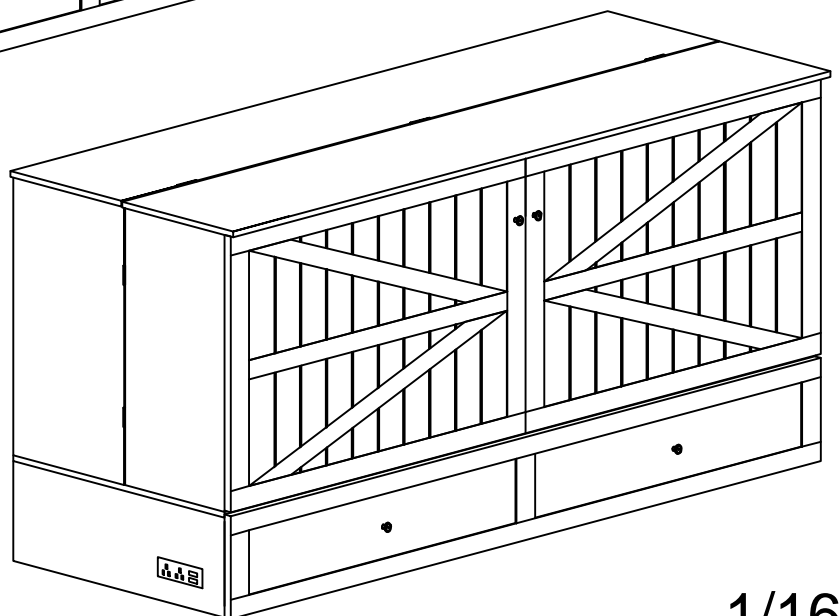
SKU:16032

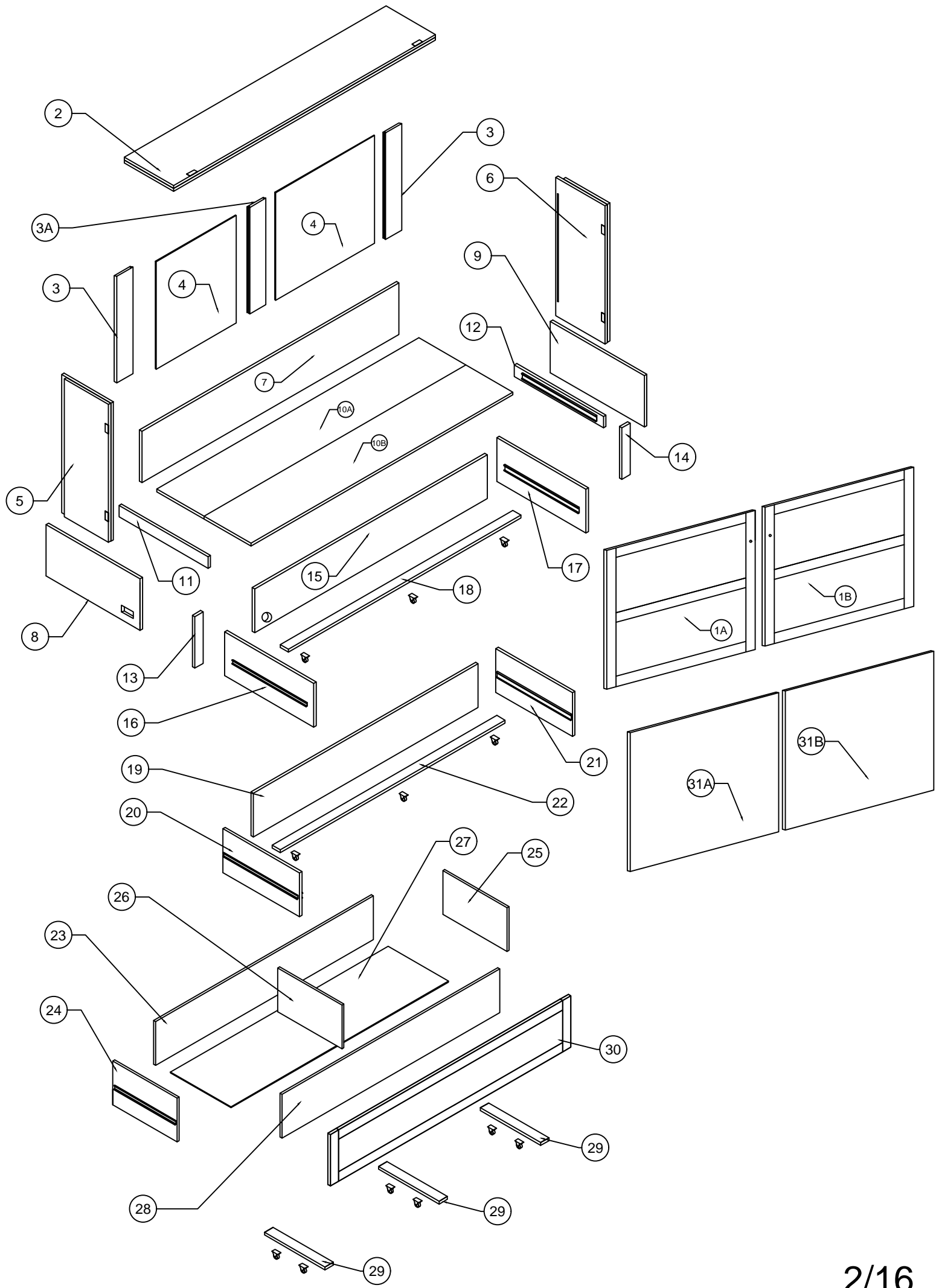


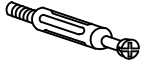
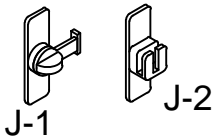




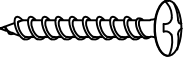
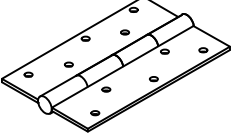
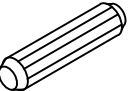
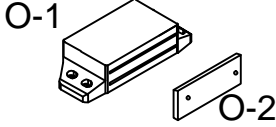

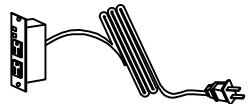

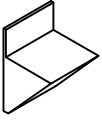
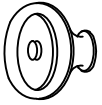



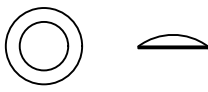
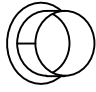
SKU:16033



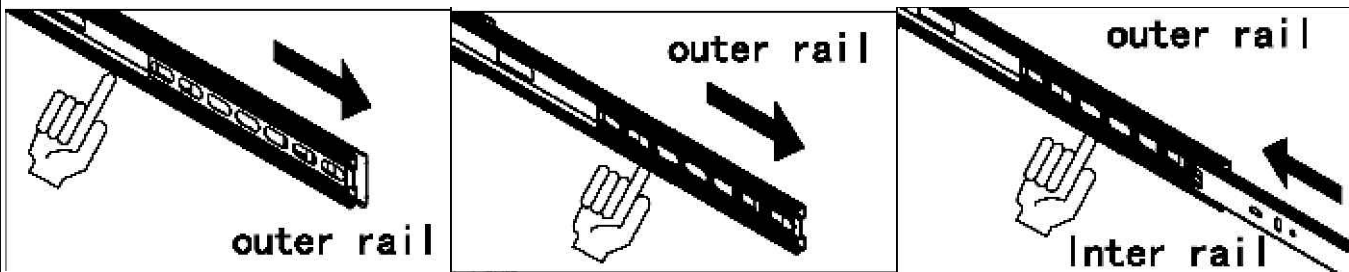
SKU:16034



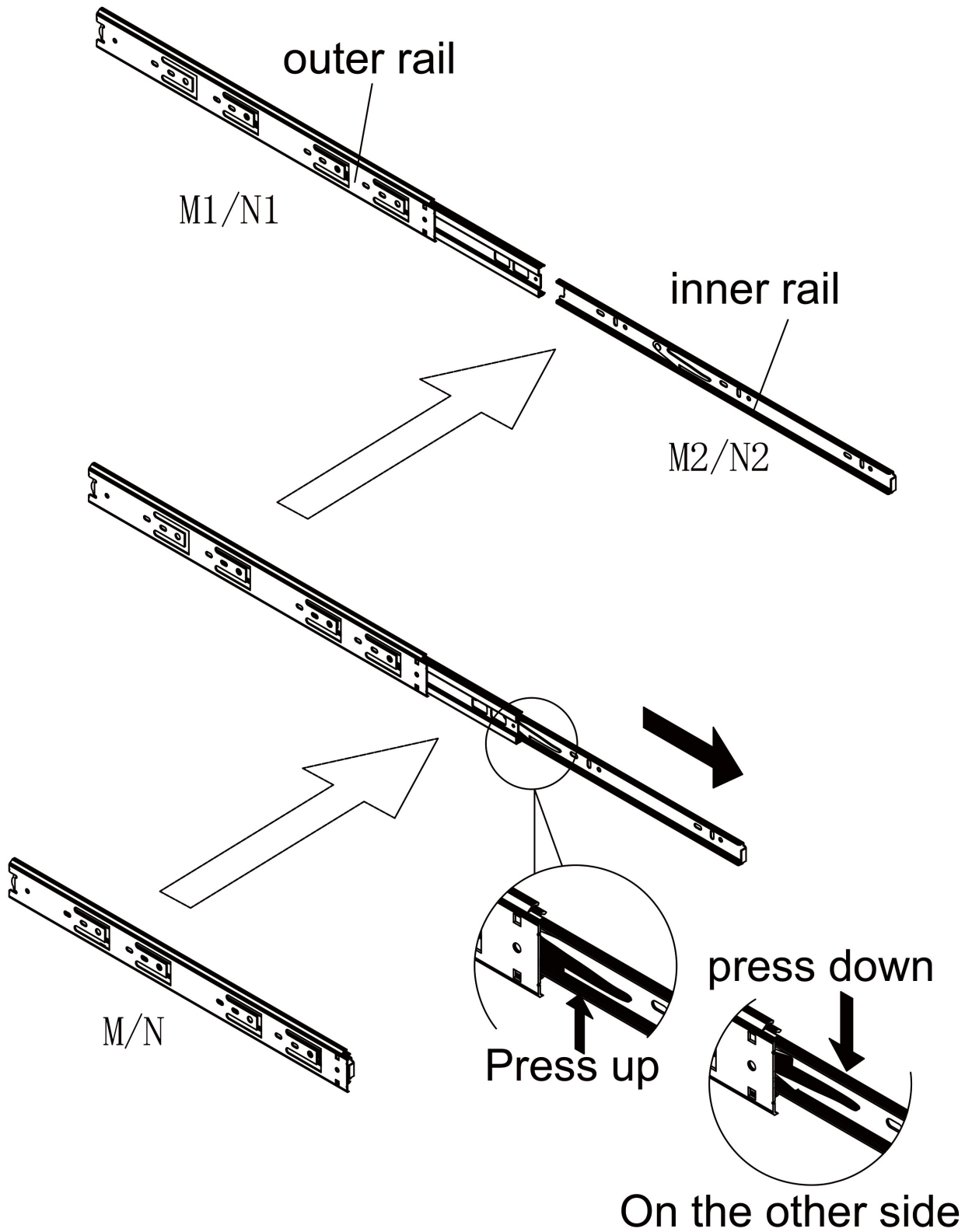


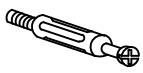
A	 65 PCS	J	 2 PCS
B	 M15 65 PCS	T	 TOOL 1 PCS
C	 80*80 6 PCS	K	 12 PCS
E	 M4*30 25 PCS	L	 8 PCS
D	 M8*40 13 PCS	O	 O-1 O-2 2 PCS
F	 M3.5*14 130 PCS	P	 1 PCS
H	 M4*18 4 PCS	Q	 6 PCS
I	 4 PCS	R	 M6*13 25 PCS
S	 M6*18 8 PCS	X	 M15*150 4 PCS
Z	 2 PCS	M	 M50 1 PCS

Special hardware install instructions



Special hardware removal instructions

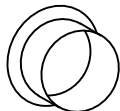


A

8 PCS

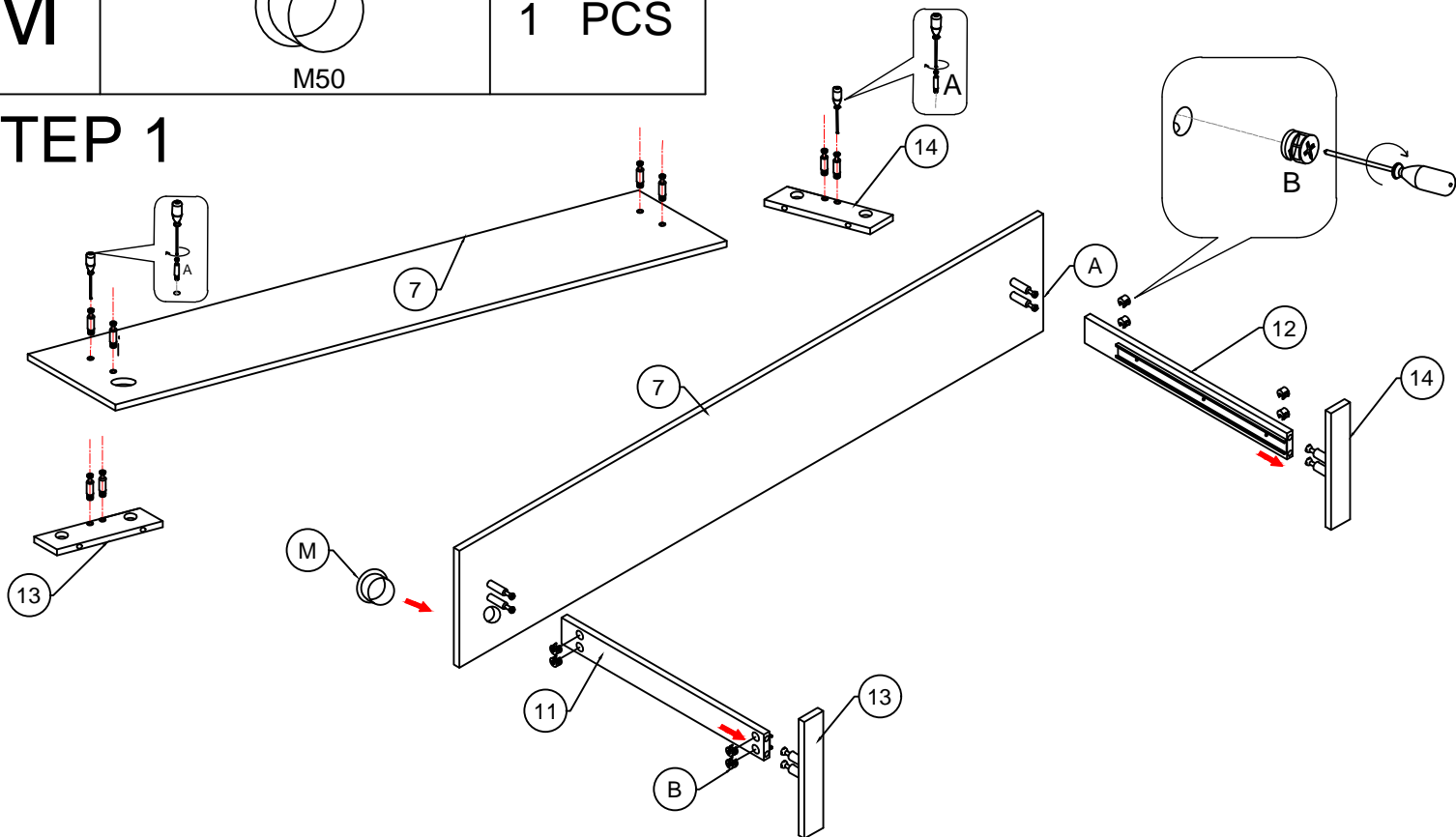
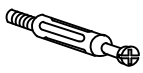
B

8 PCS

M

M50

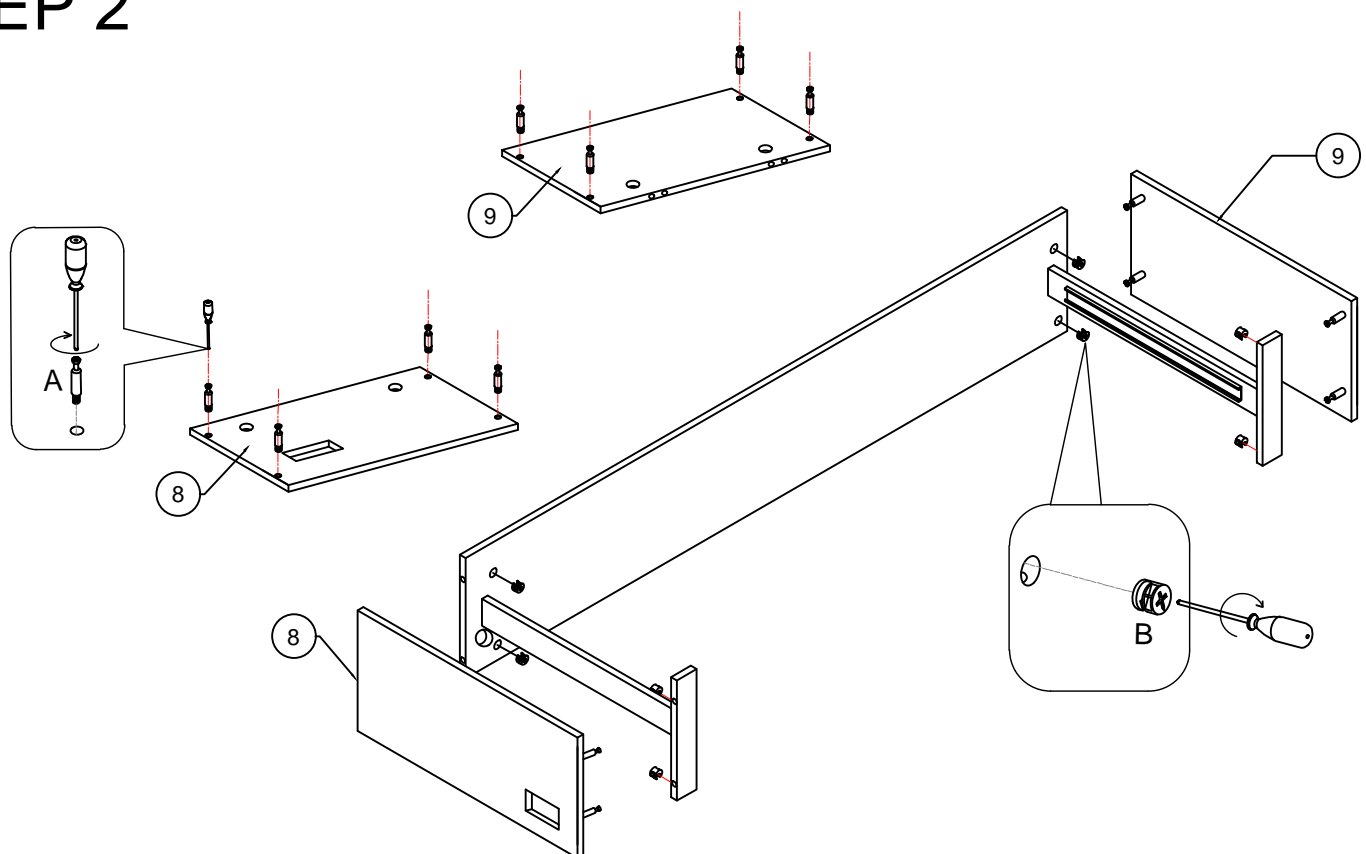
1 PCS


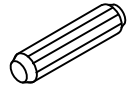

STEP 1**A**

8 PCS

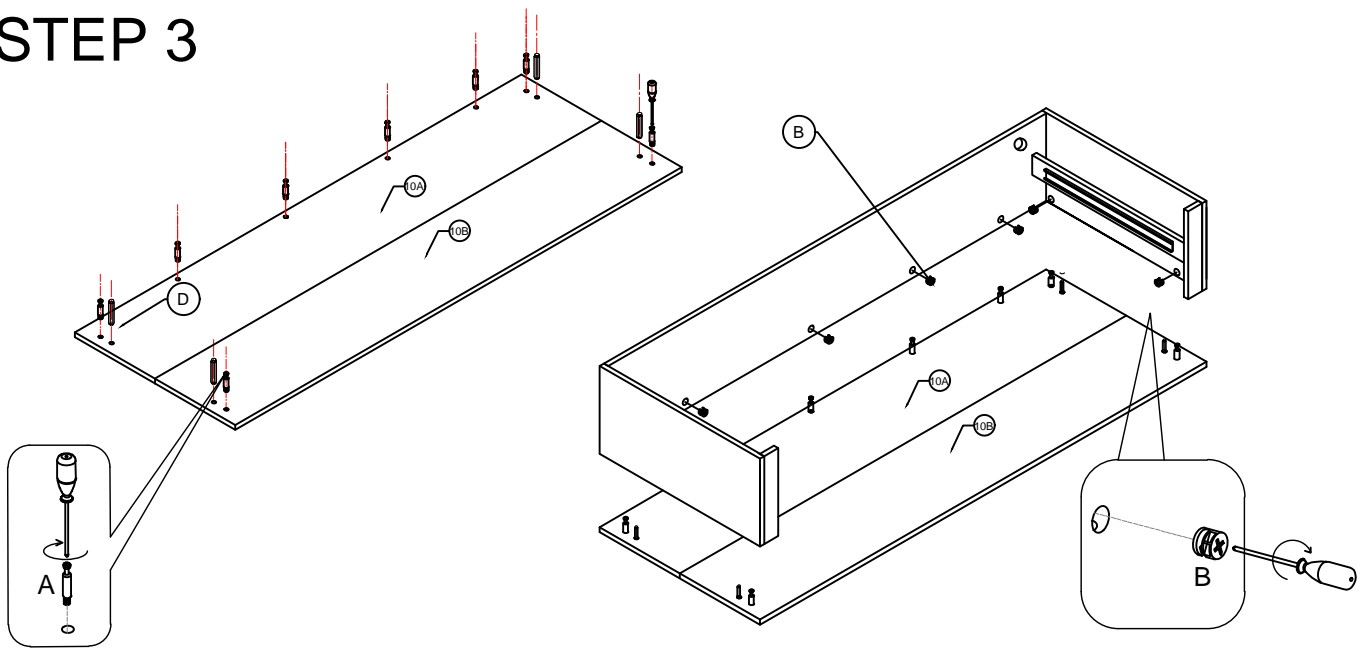
B





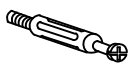
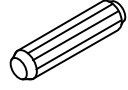
8 PCS

STEP 2

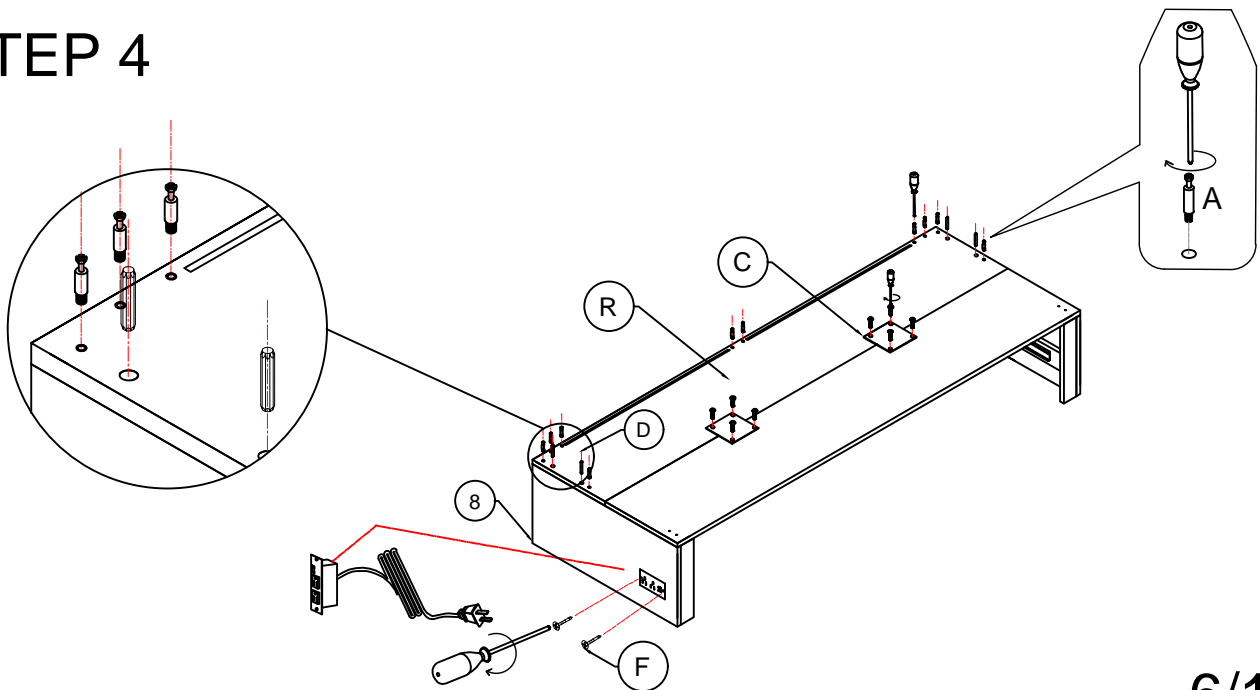
A		8 PCS	D		4 PCS
B	 M15	8 PCS			

STEP 3

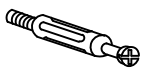


P		1 PCS	F	 M3.5*14	2 PCS
C	 80*80	2 PCS	R	 M6*13	8 PCS
A		10 PCS	D		4 PCS

STEP 4



A



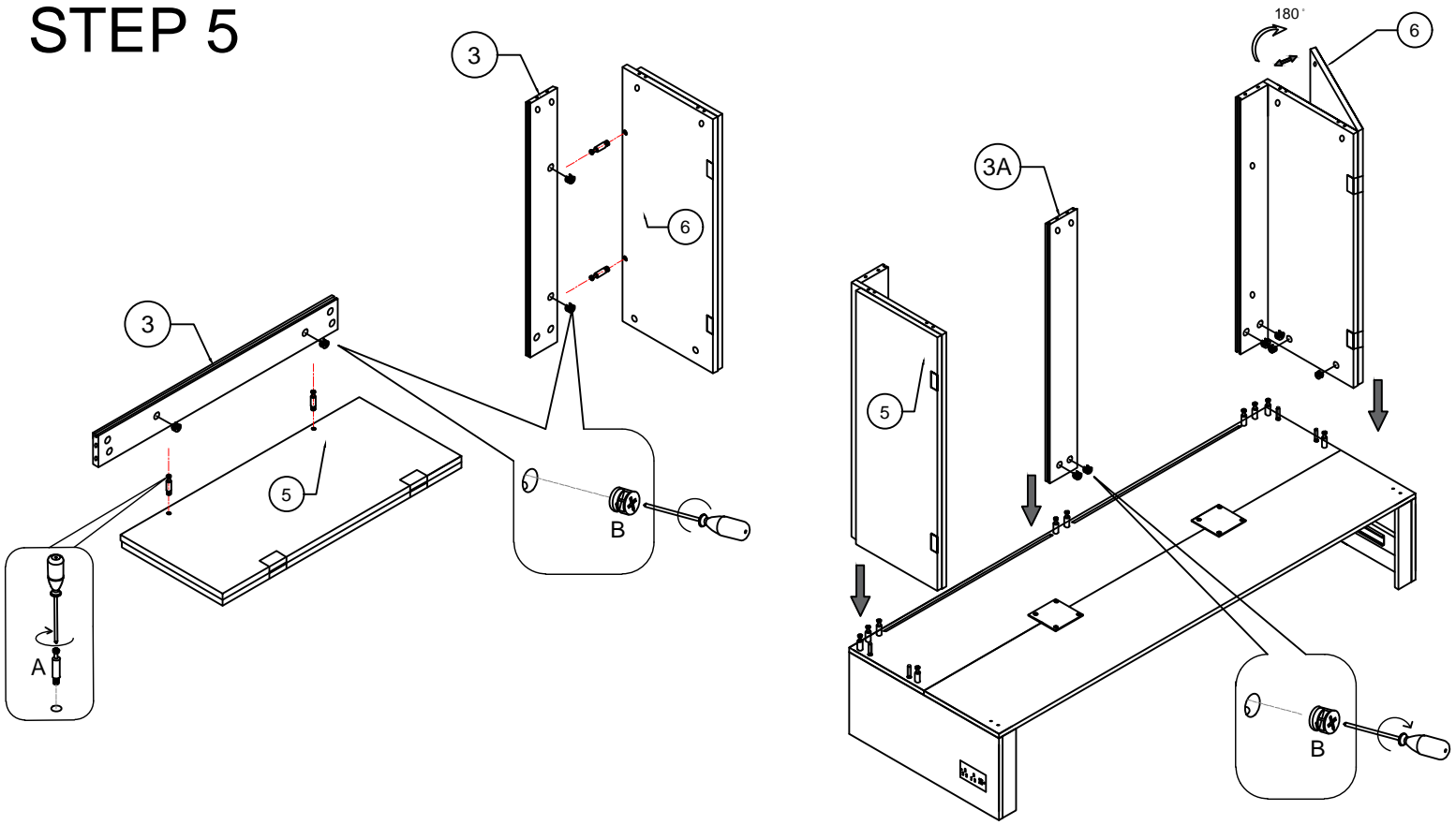
4 PCS

B

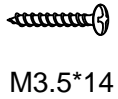


14 PCS

STEP 5



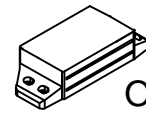
F



M3.5*14

10PCS

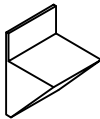
O



O-1

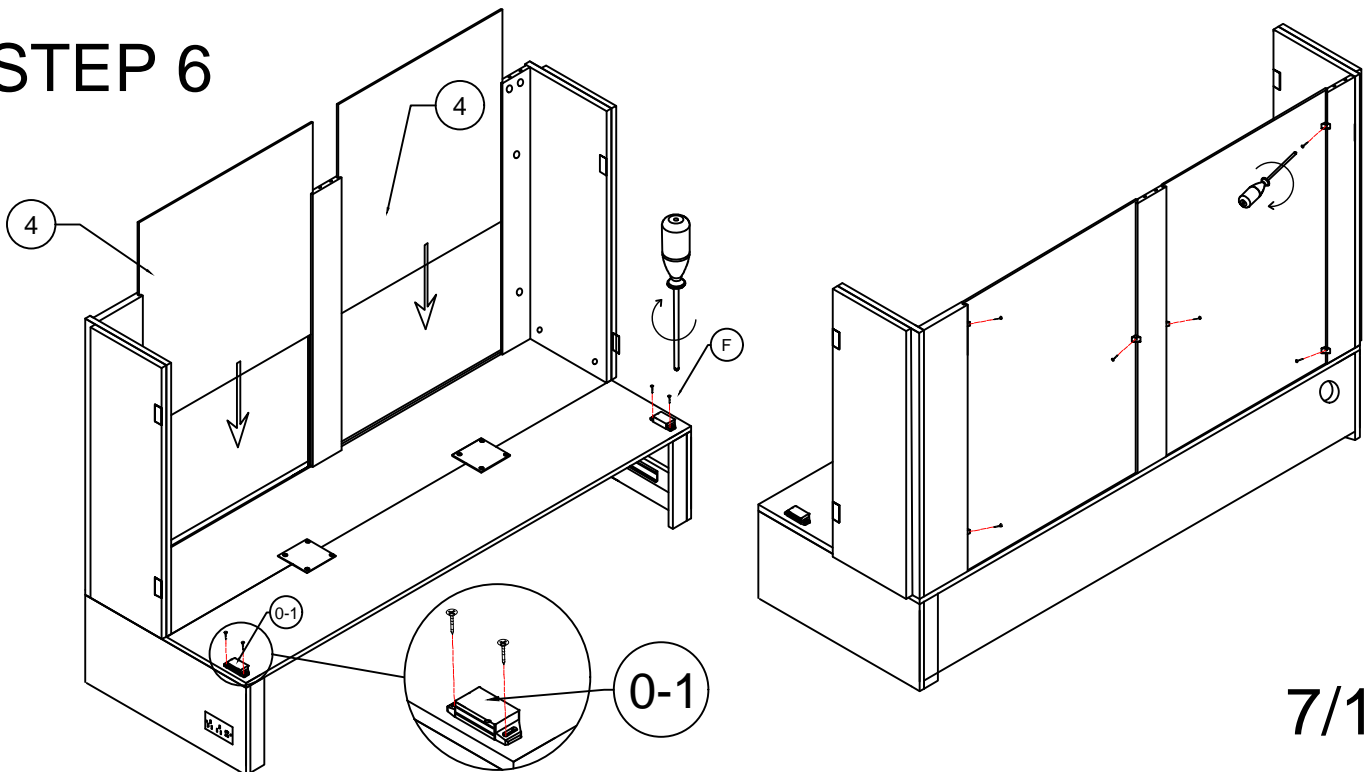
2 PCS



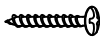
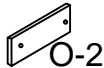
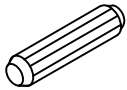
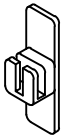
Q



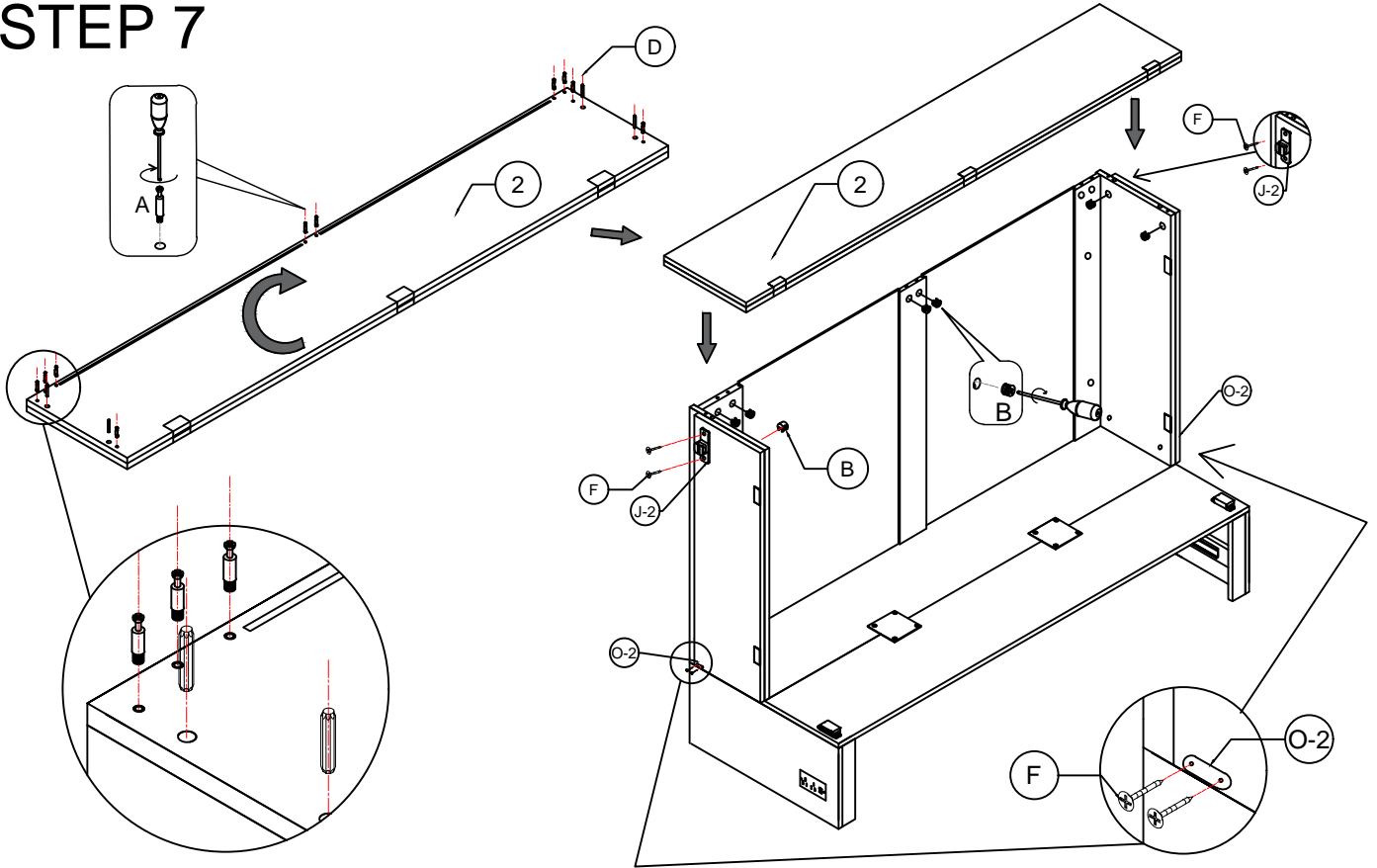
6 PCS



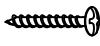

STEP 6



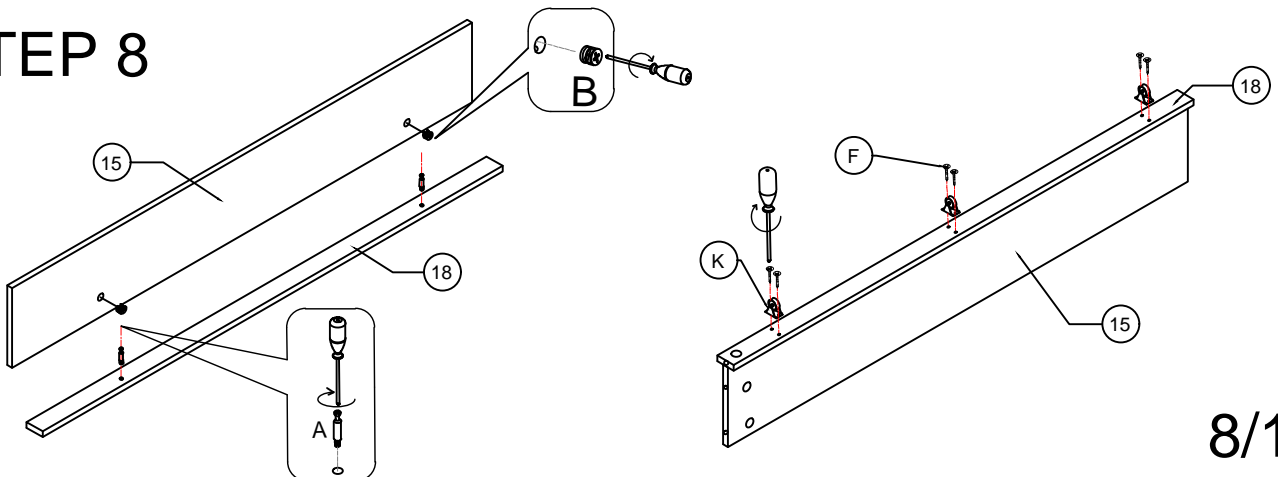
A		10 PCS	B	 M15	10 PCS
F	 M3.5*14	8 PCS	O	 O-2	2 PCS
D		4 PCS	J	 J-2	2 PCS

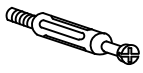
STEP 7



A		2 PCS	B	 M15	2 PCS
F	 M3.5*14	6 PCS	K		3 PCS

STEP 8



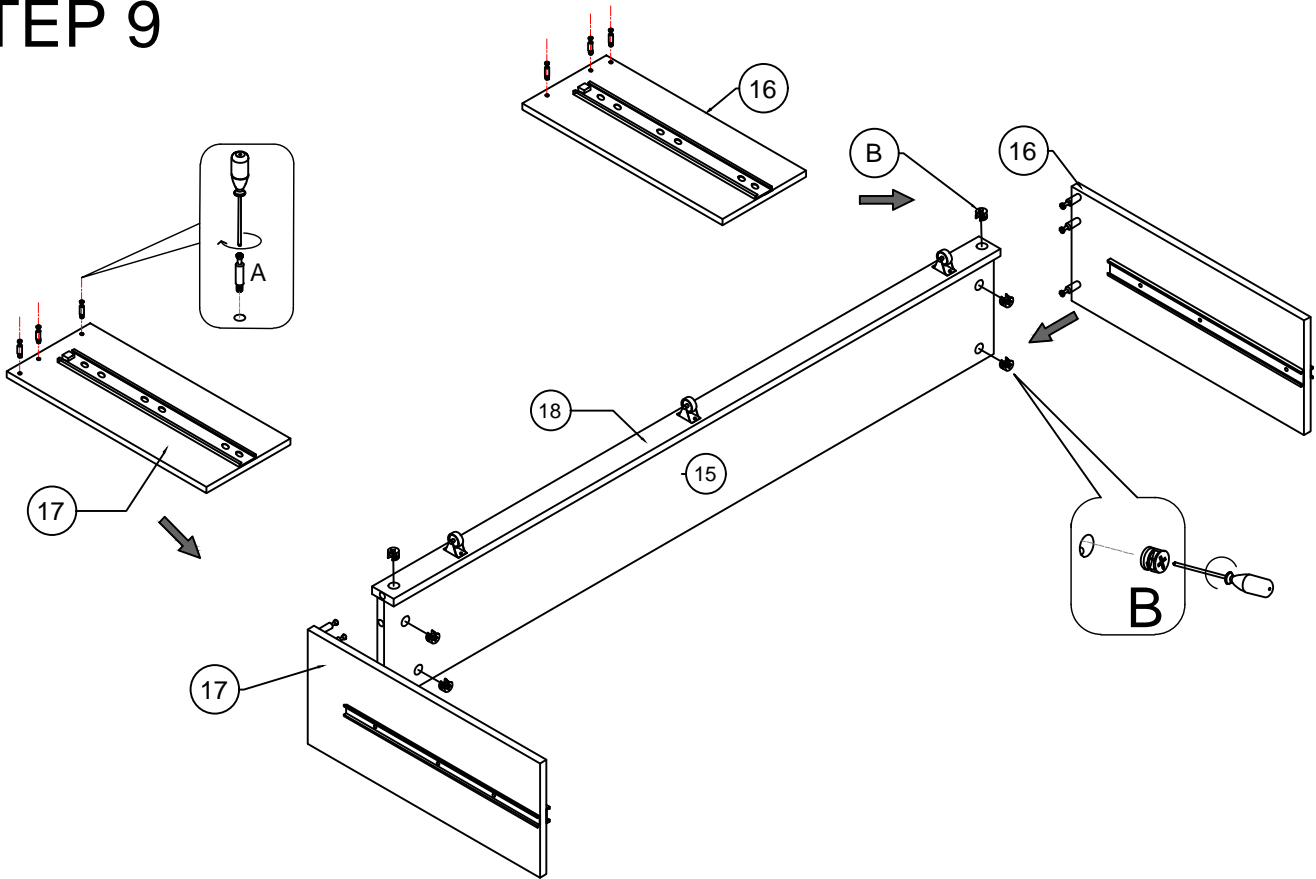
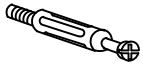
A

6 PCS

B

M15

6 PCS

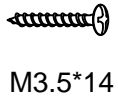
STEP 9**A**

2 PCS

B

M15

2 PCS

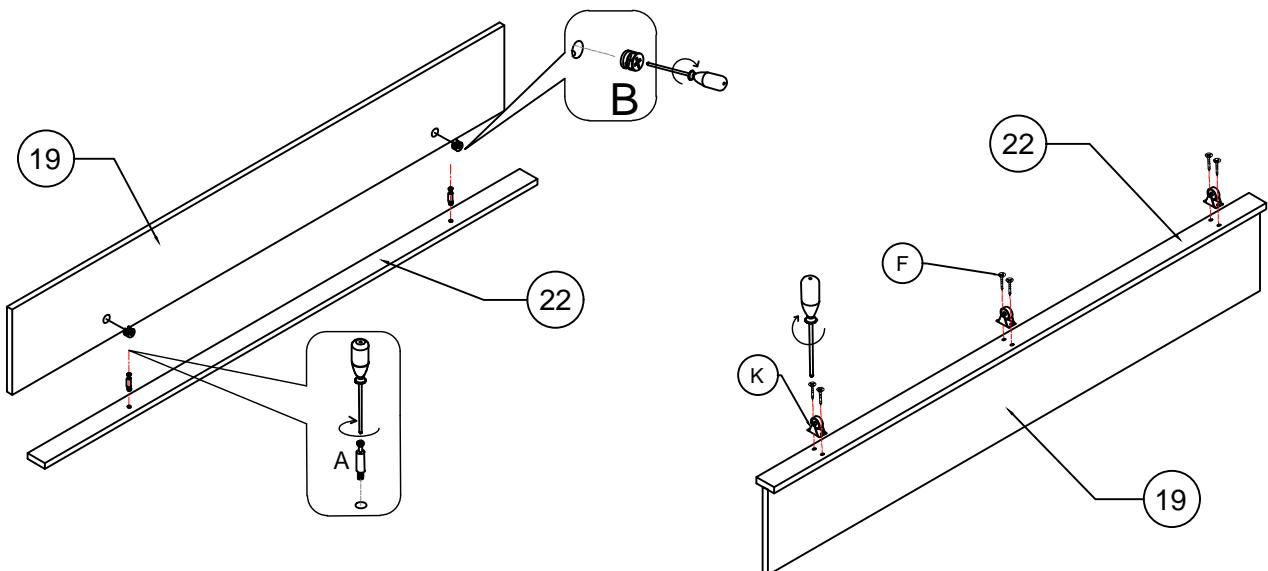
F

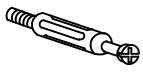
M3.5*14

6 PCS

K

3 PCS

STEP 10

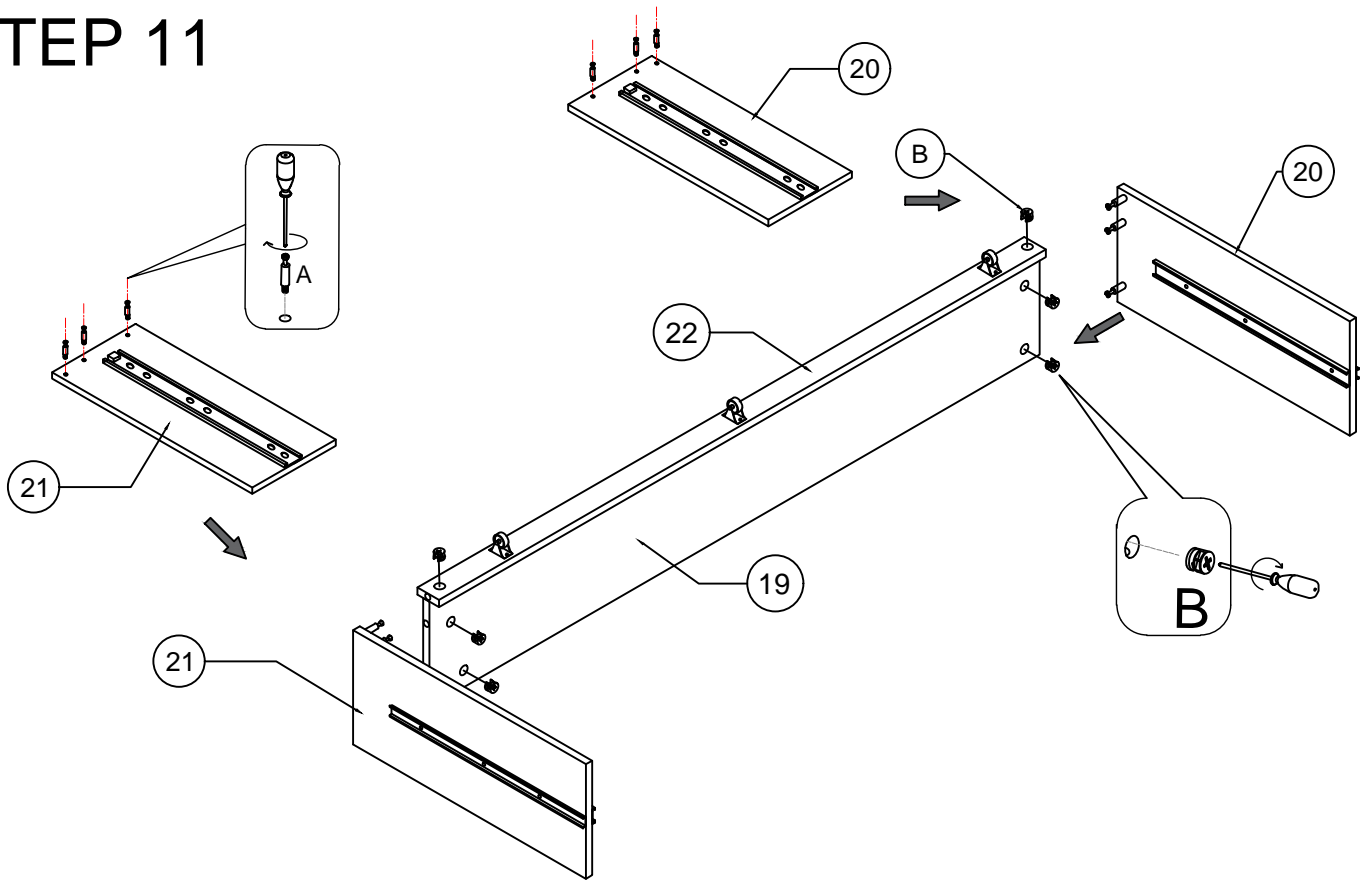
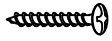
A

6 PCS

B

M15

6 PCS

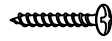
STEP 11**E**

M4*30

8 PCS

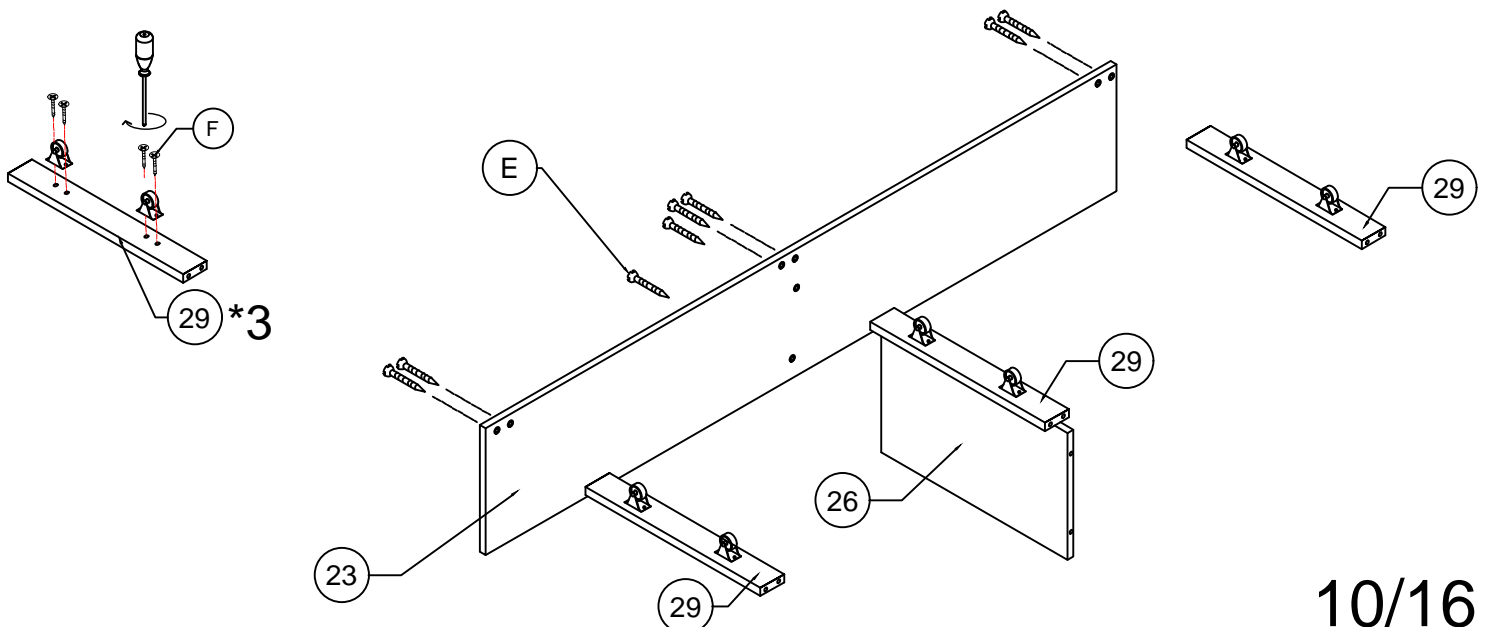
K

6 PCS

F

M3.5*14

12 PCS

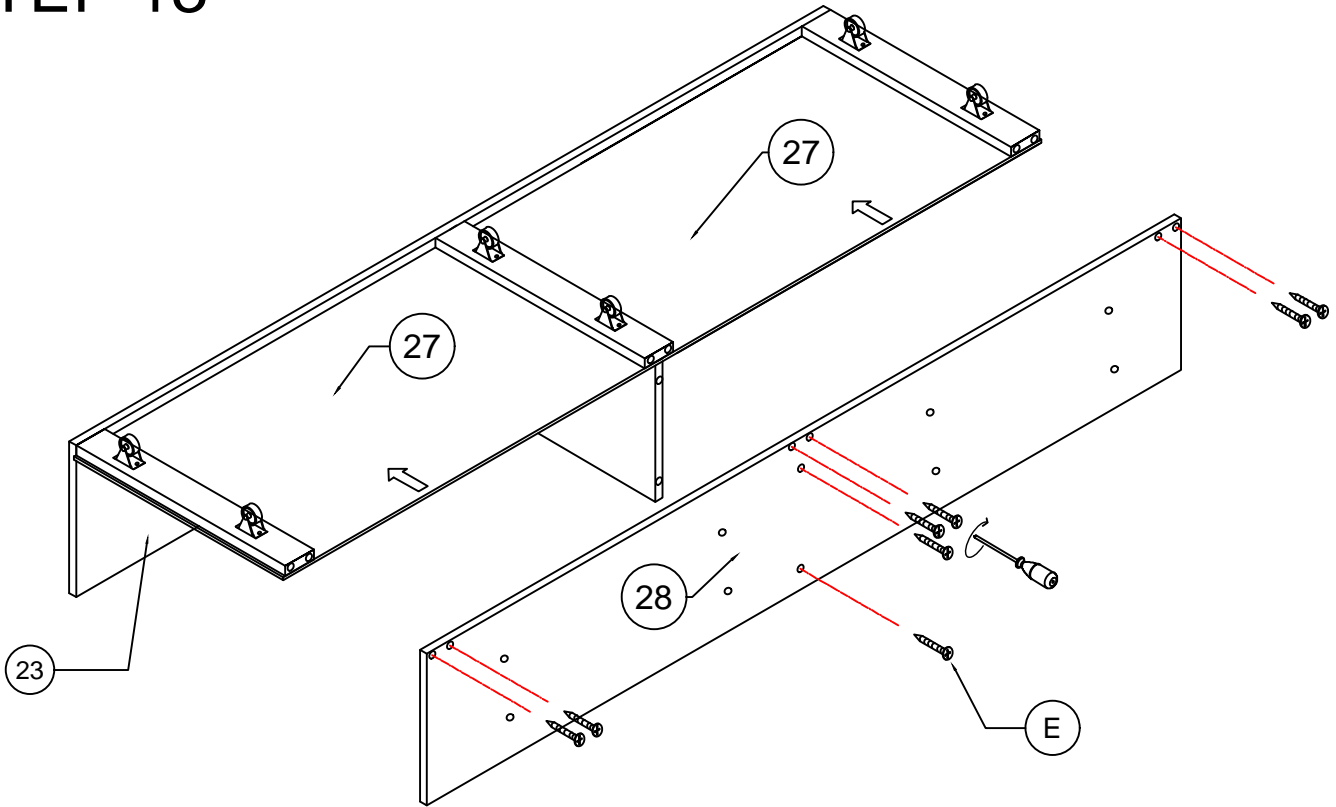
STEP 12

E



8 PCS

STEP 13

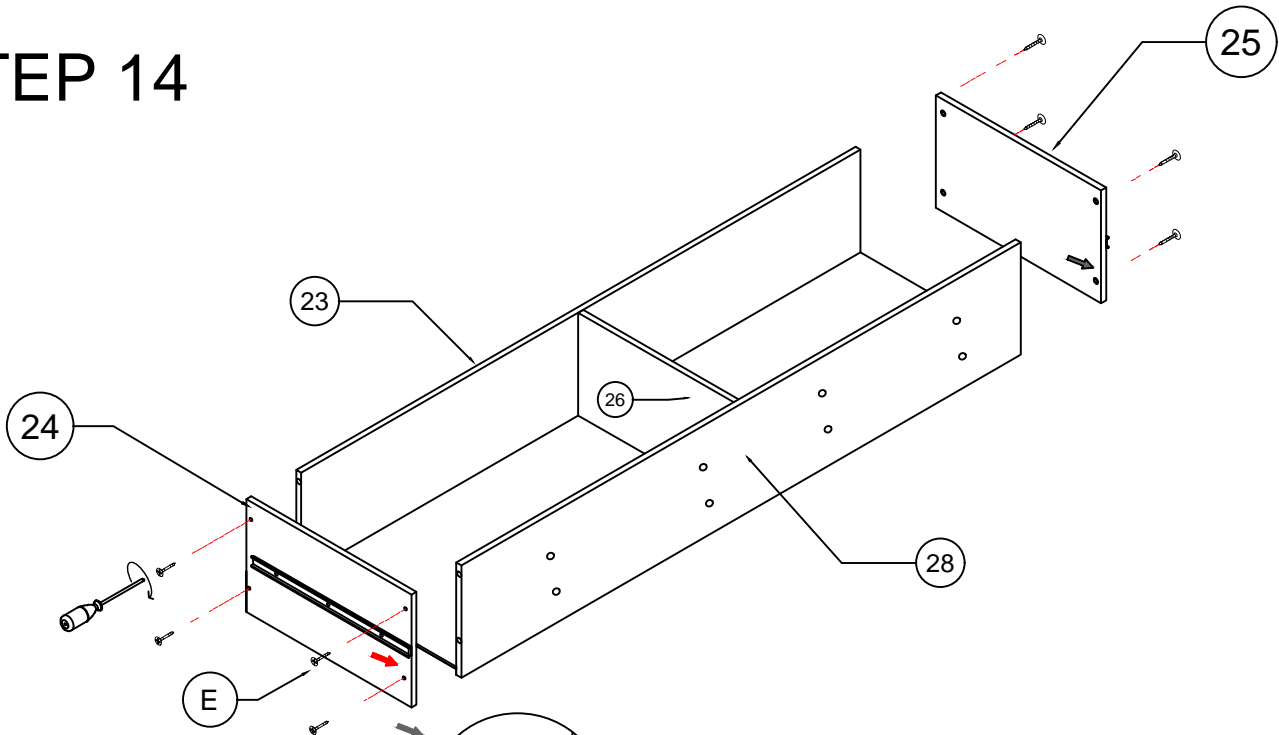


E


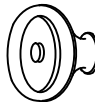


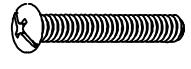
8 PCS

STEP 14

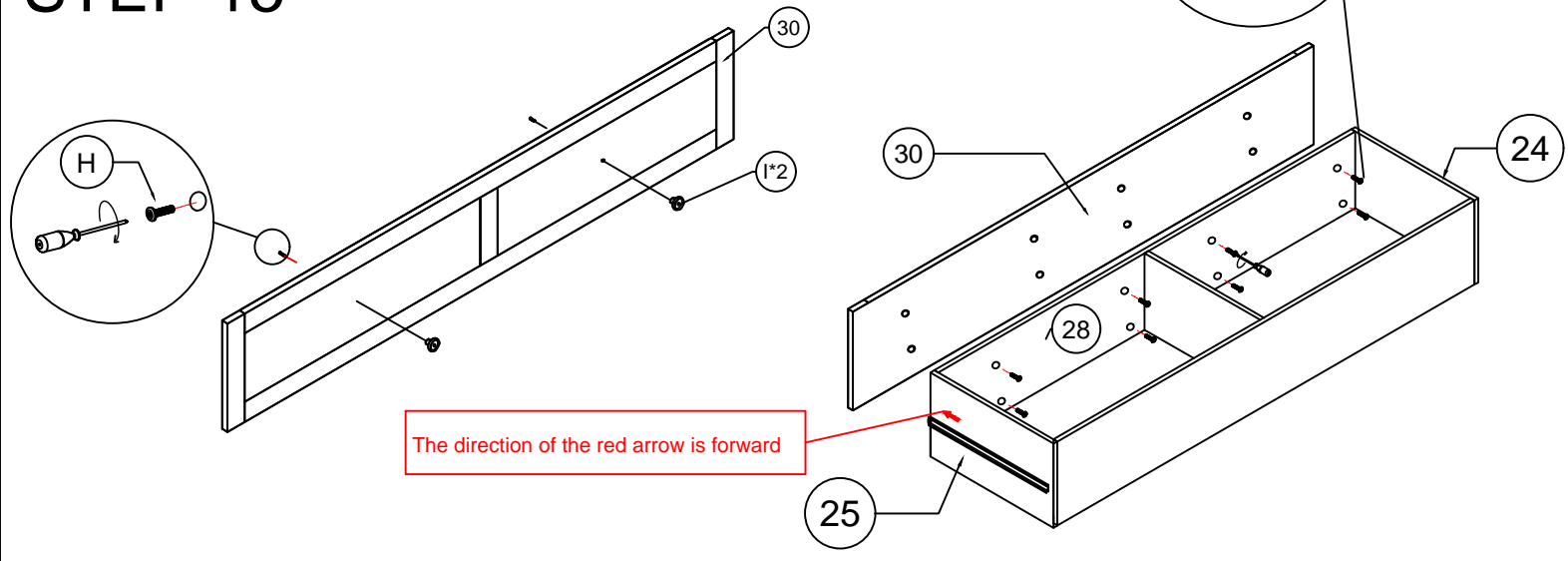



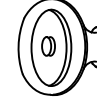
The direction of the red arrow is forward


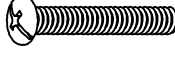
H	 M4*20	2 PCS	I		2 PCS
---	---	-------	---	--	-------

S	 M6*18	8 PCS			
---	--	-------	--	--	--

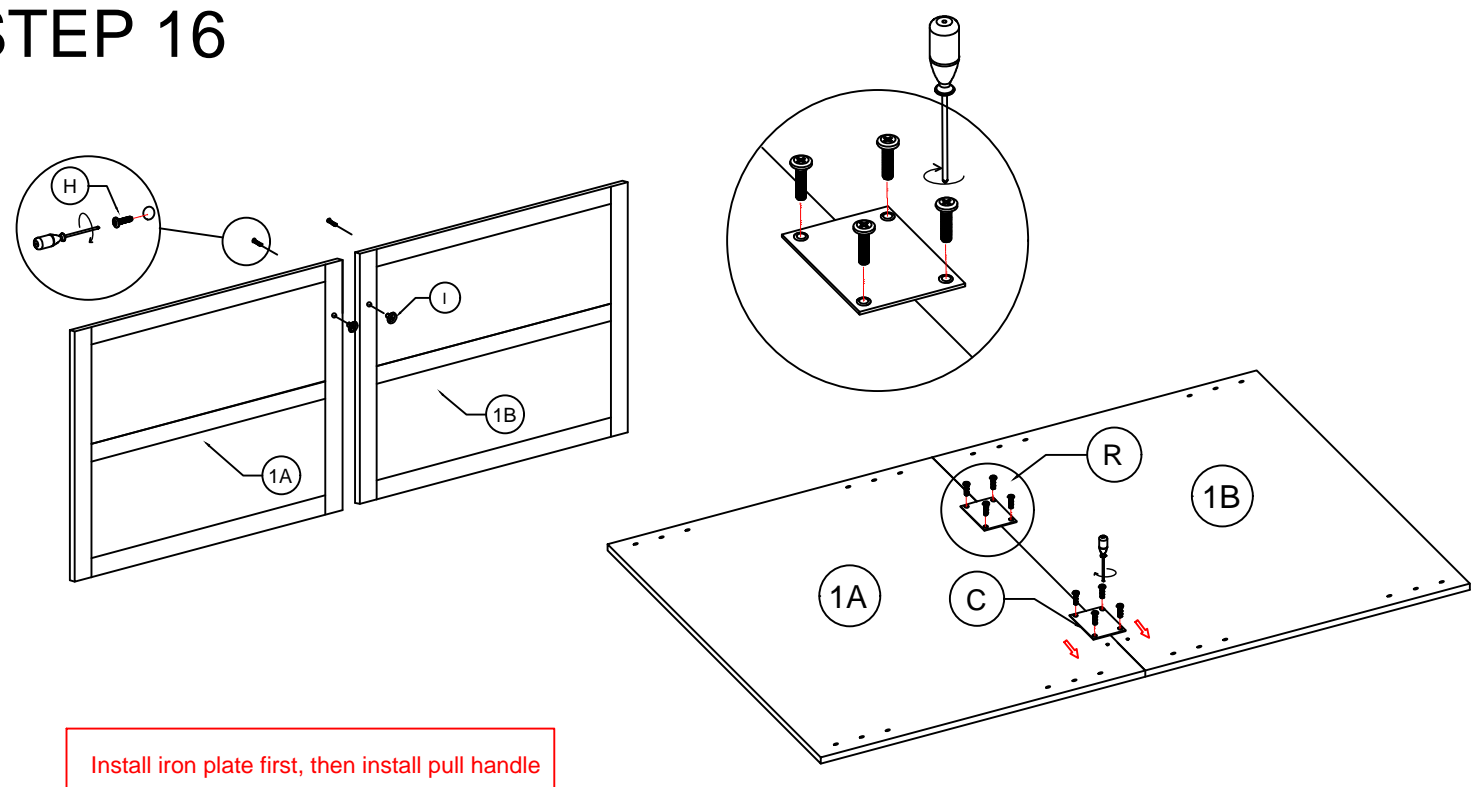
STEP 15



H	 M4*20	2 PCS	I		2 PCS
---	--	-------	---	---	-------

C	 80*80	2 PCS	R	 M6*13	8 PCS
---	--	-------	---	--	-------

STEP 16



C



80*80

2 PCS

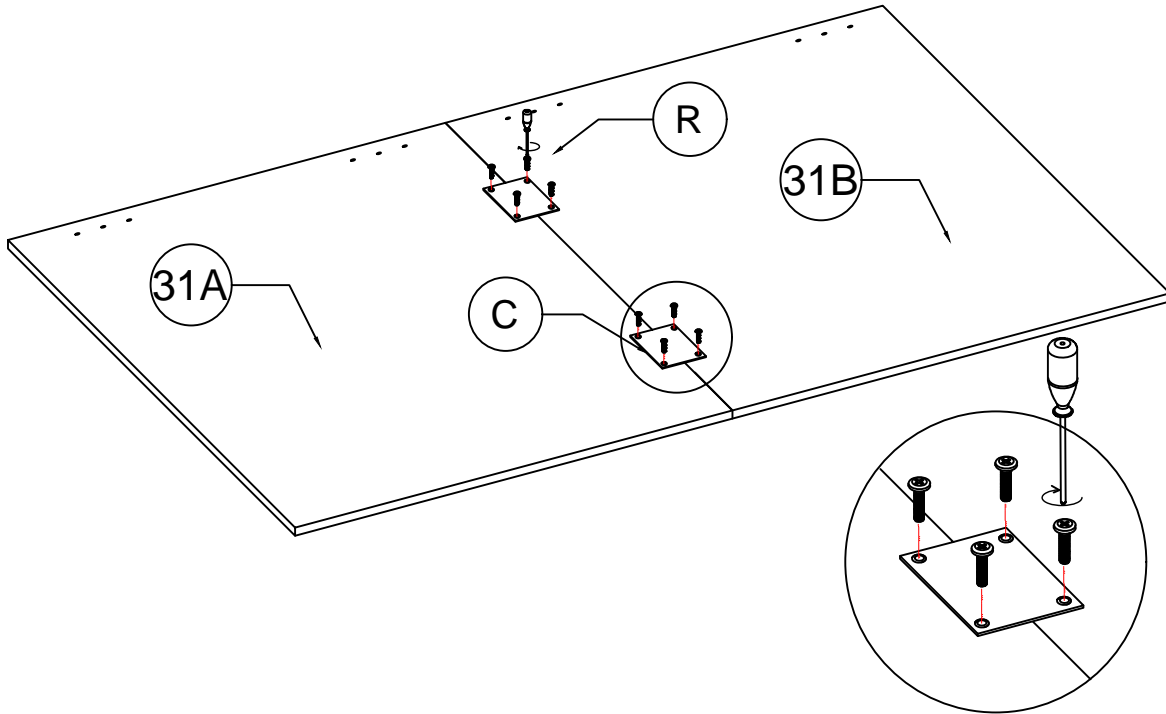
R



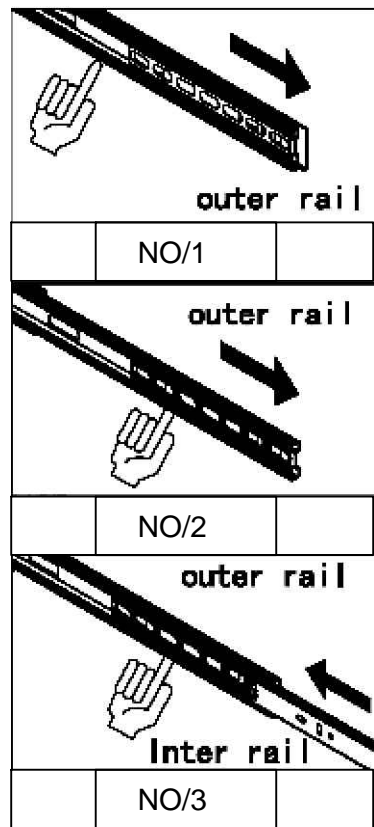
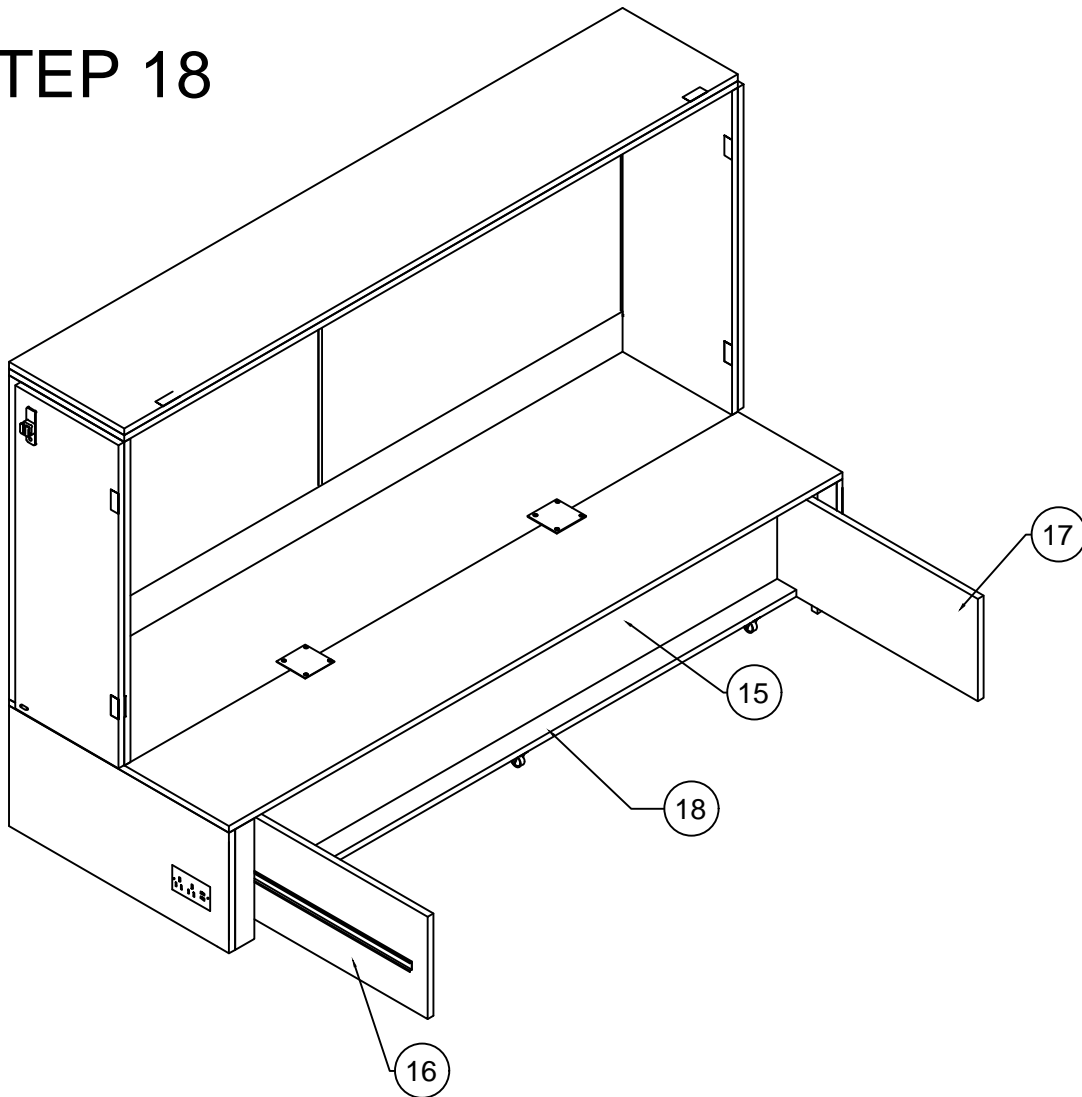
M6*13

8 PCS

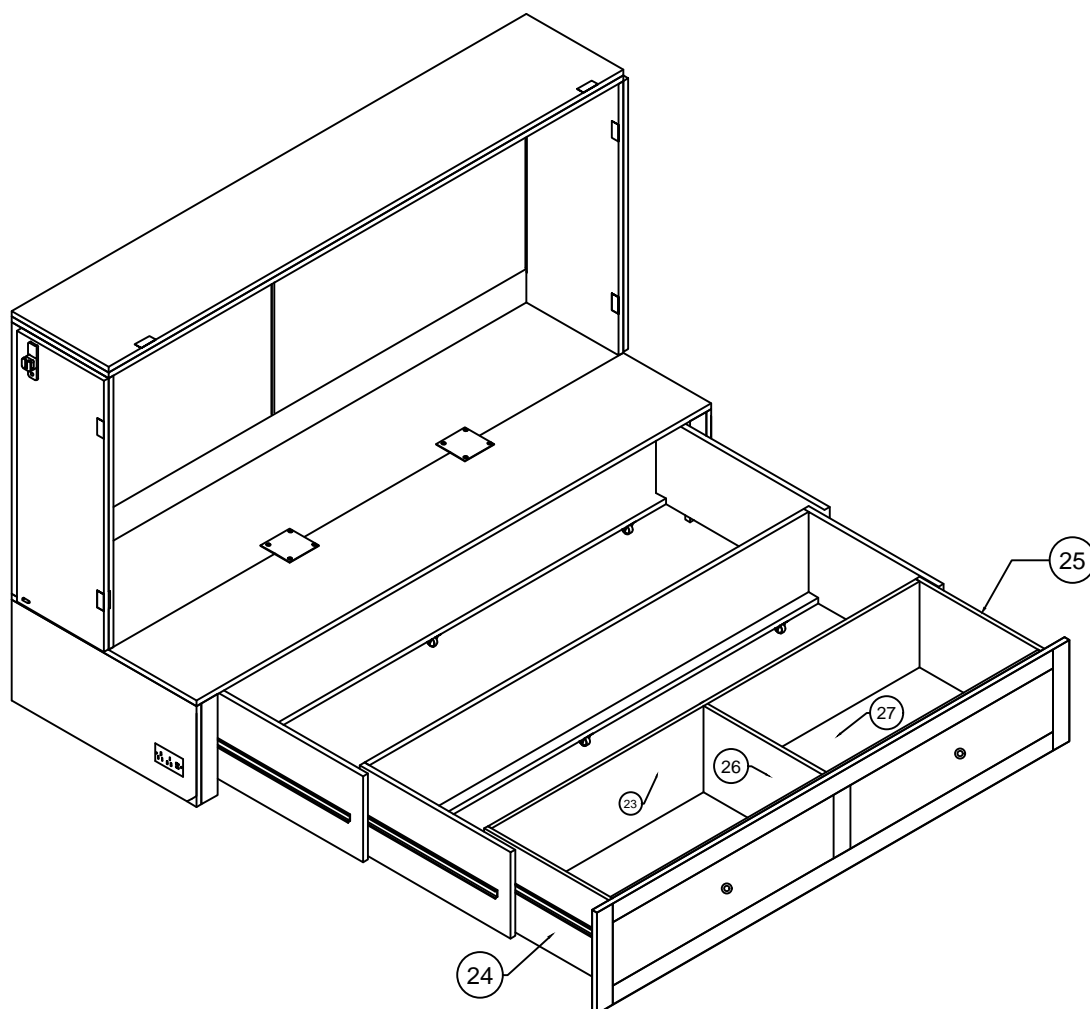
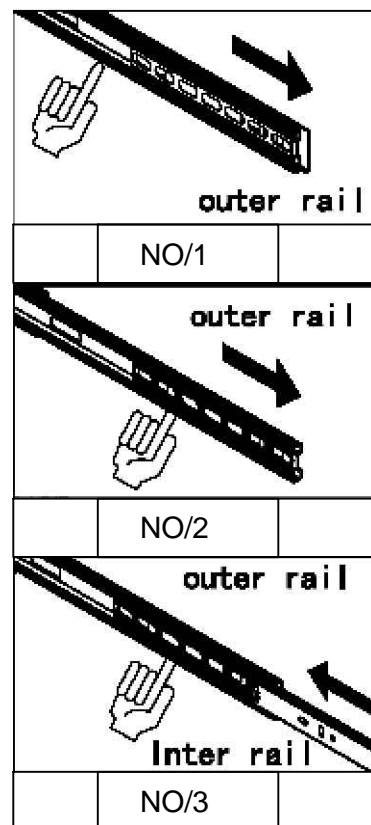
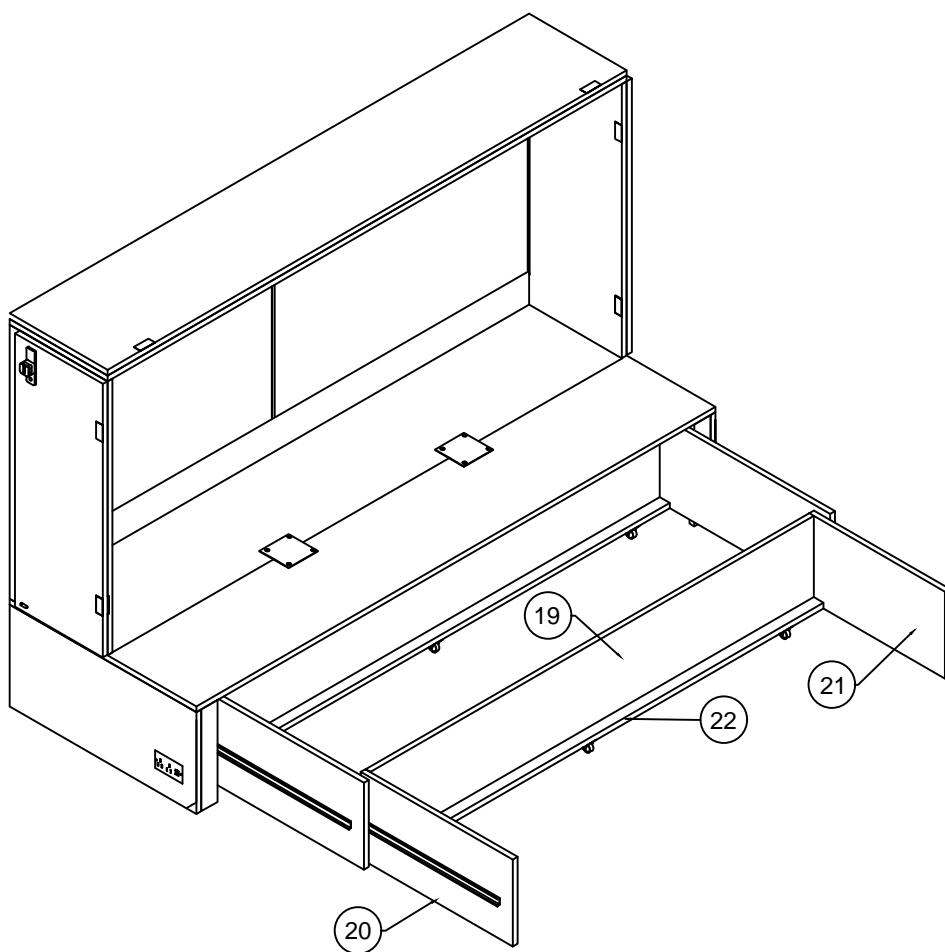
STEP 17


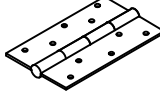
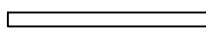


STEP 18

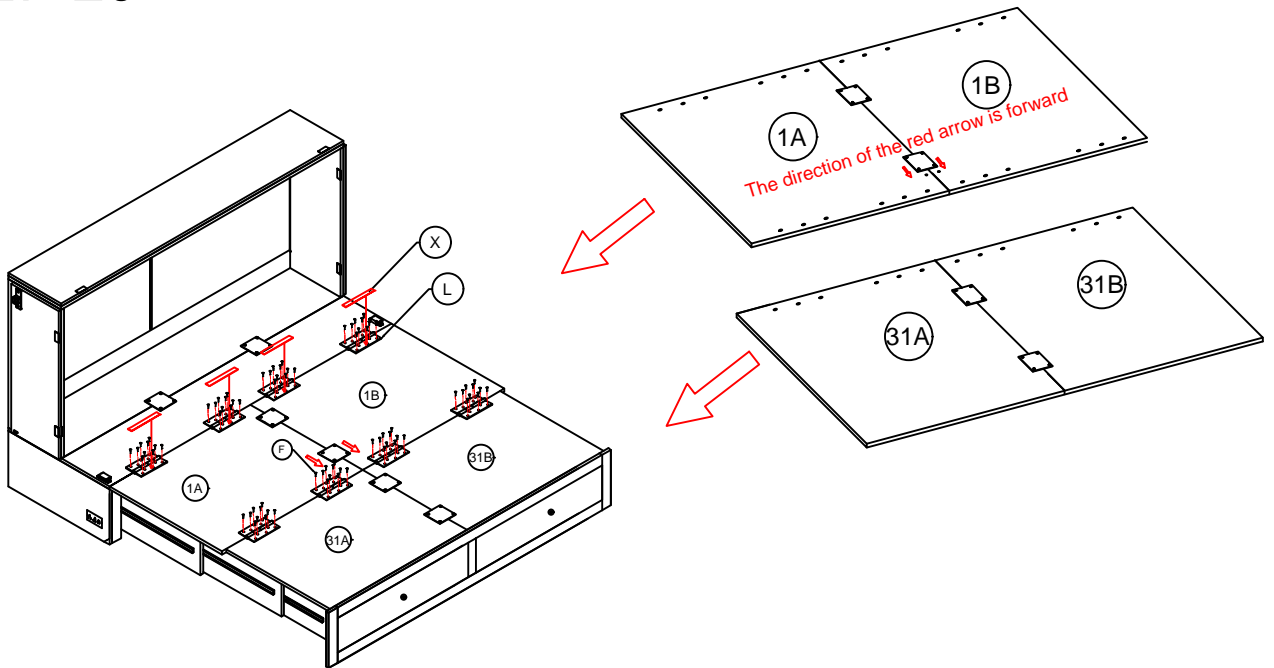



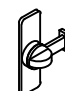
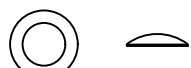
STEP 19



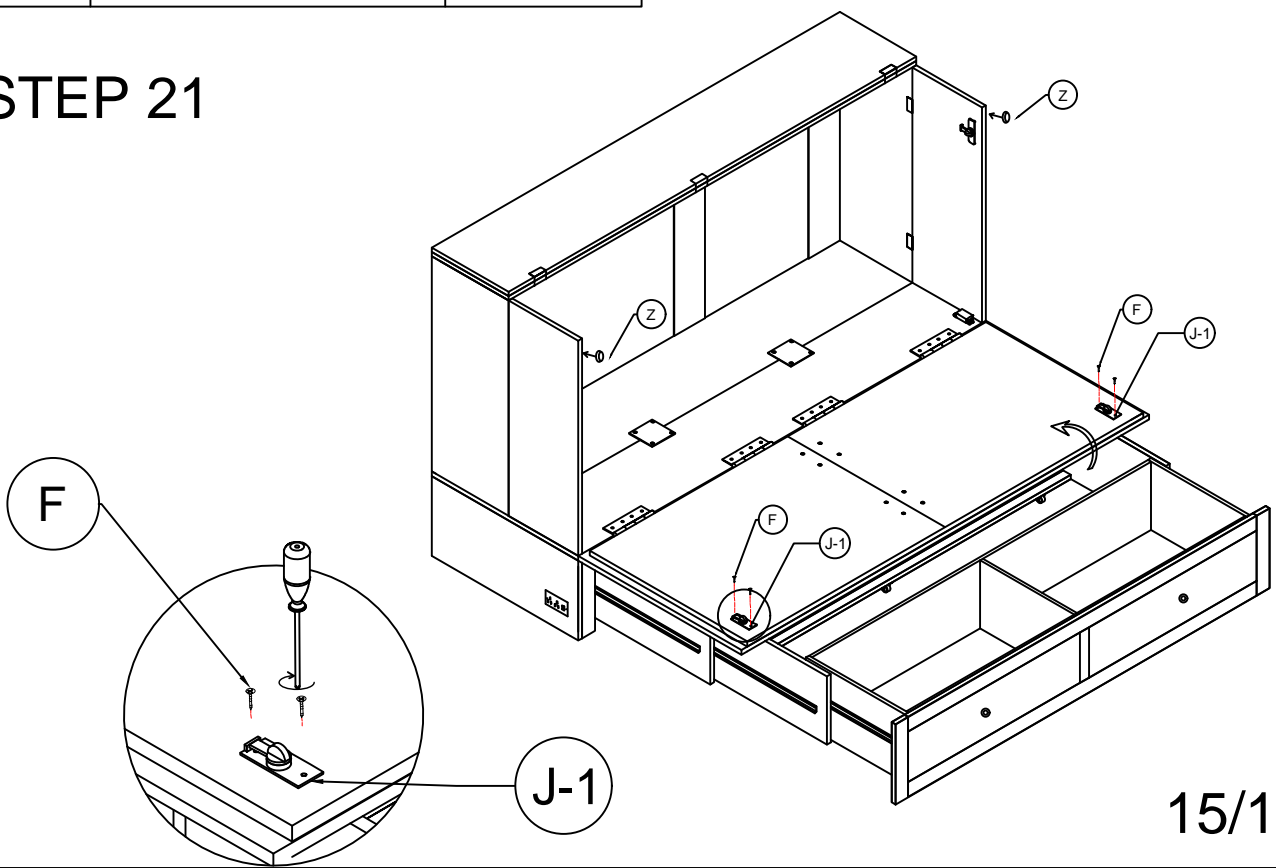
F	 M3.5*14	80 PCS	L	 	8 PCS
X	 M15*150	4 PCS			

STEP 20



F	 M3.5*14	4 PCS	J	 J-1	2 PCS
Z	 	2 PCS			

STEP 21



STEP 22

