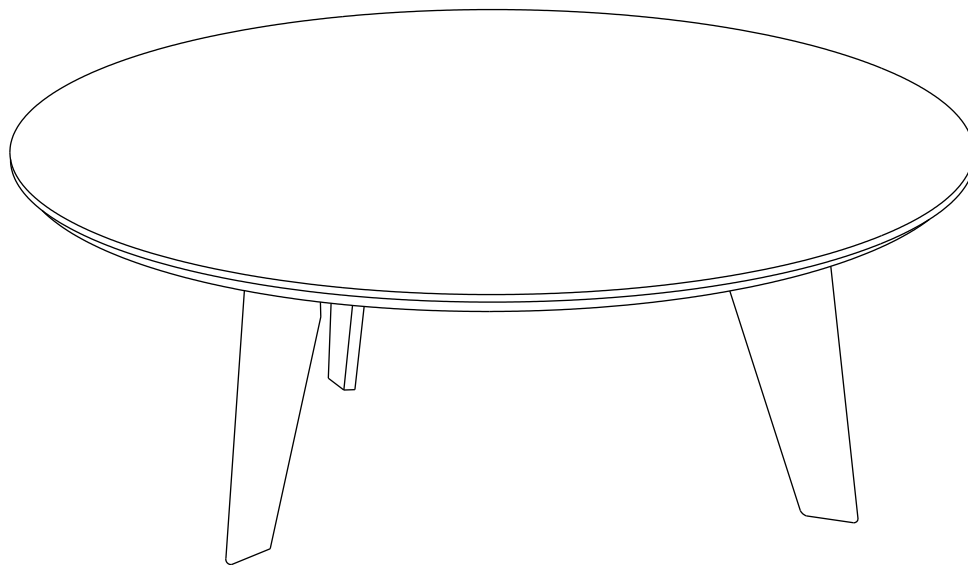


Assembly Instructions

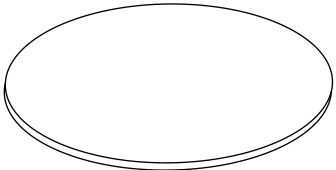
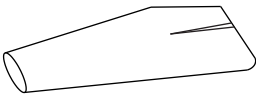
COFFEE TABLE

CAUTION: You must read this before you proceed.



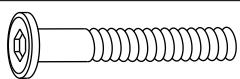

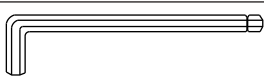
CAUTION : This Coffee Table is NOT a TOY.
Keep your child / children at bay in the process of assembly.
For turning the Coffee Table and to prevent damage to the Coffee Table,
02 persons may be needed to execute this action.

Parts List

No.	Picture	Description	Qty
A		Table Top	1
B		Legs	3

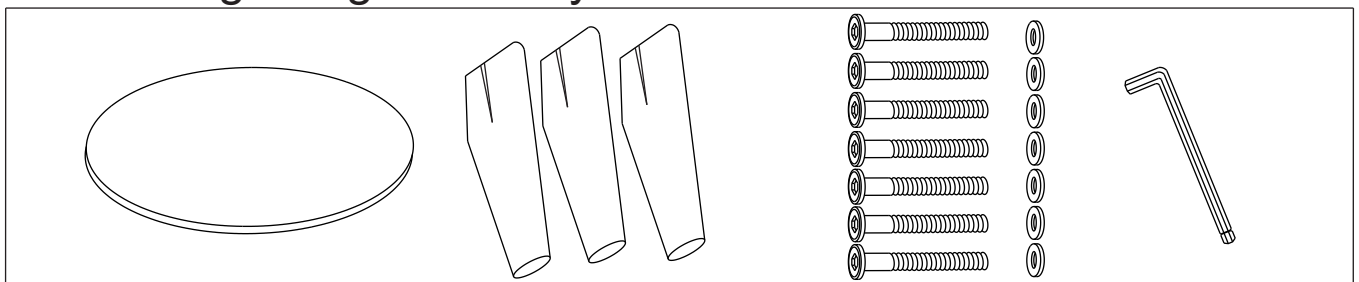
Hardware

Table Hardware

No.	Picture	Description	Qty
①		Bolts M8x55mm	7
②		Flat Washers M8	7
③		Allen Key	1

Assembly Preparation

Before Beginning Assembly:



Read instructions, cover to cover.



Have 2 adults on hand for assembly.



Do not assemble on flooring or carpet.



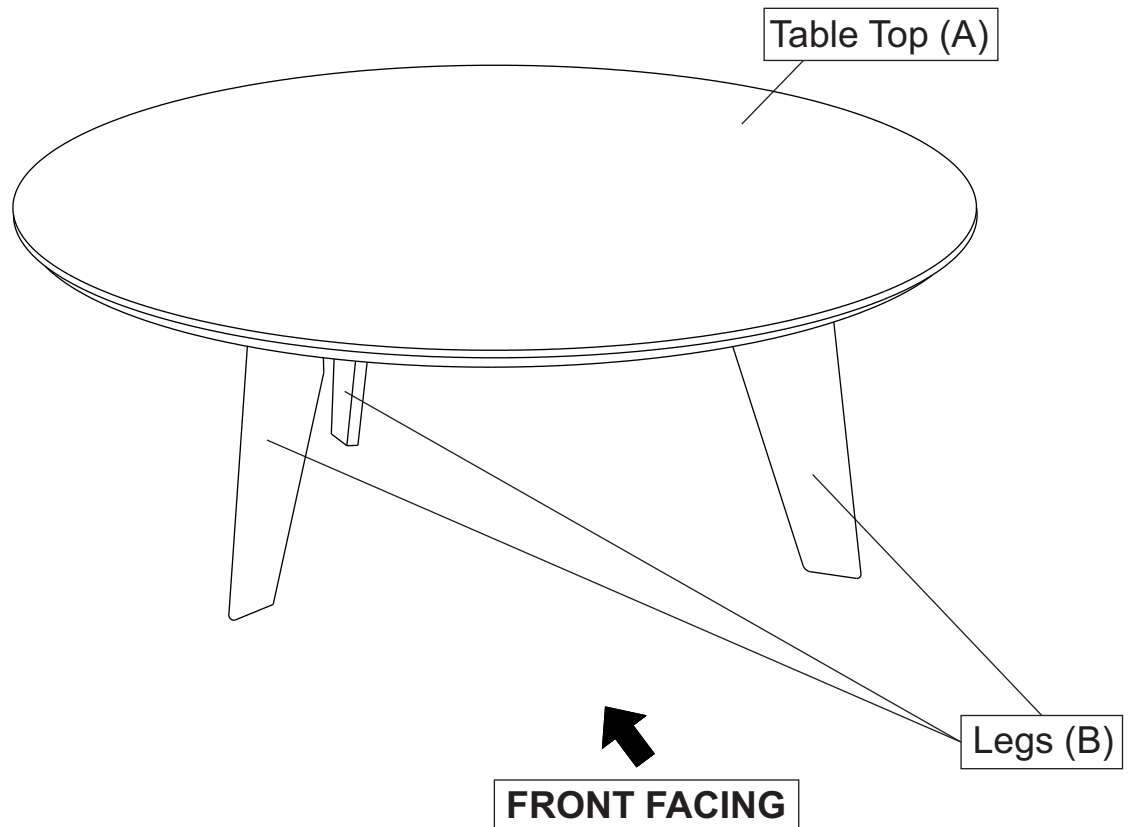
Assemble on a clean non-marring surface (packing foam).



Save all packaging until finished.

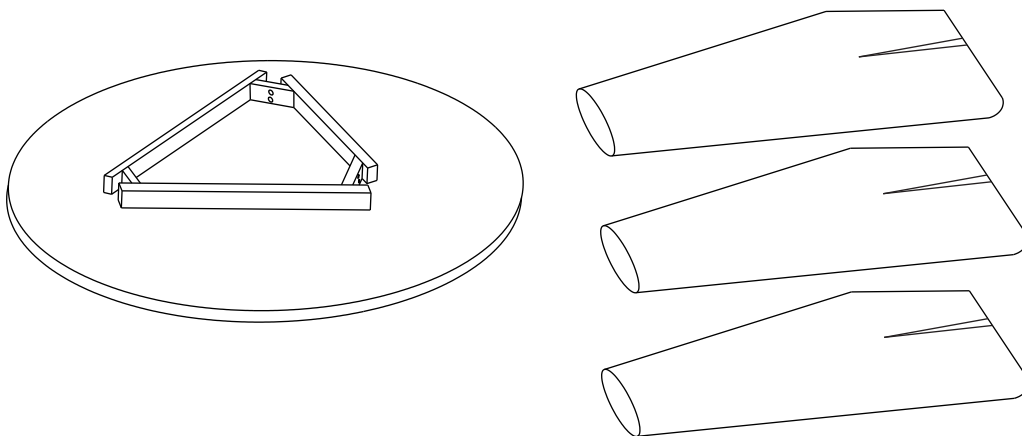
Assembly Steps

OVERVIEW



This Coffee Table has multiple parts and may require up to 30 minutes to assemble. To give you an overview of the Coffee Table parts, the above picture is to help you put the various parts into perspective. Please read through the instructions herebelow to familiarise the parts and steps before assembly.

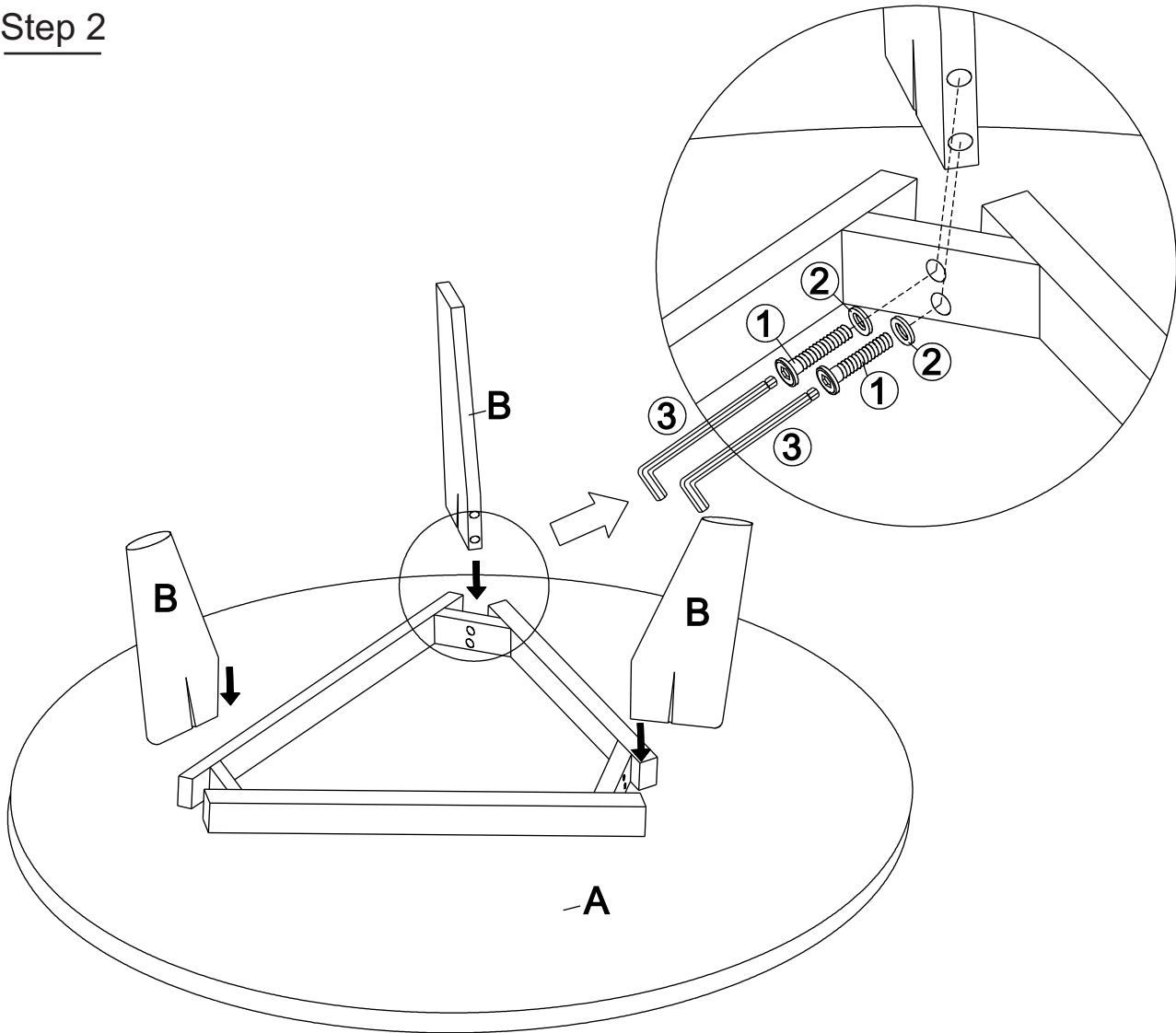
Step 1



Unpack and place all parts on a clean, non-marring surface.

Assembly Steps

Step 2



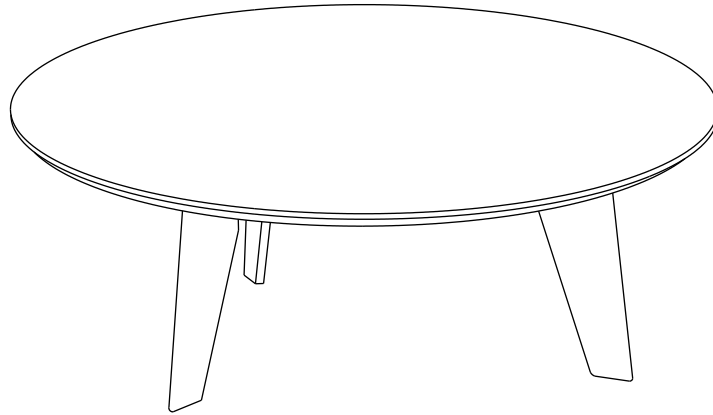
Place the Table Top (A), top facing down, onto a clean, soft surface that will not scratch or damage the table top.

Pick up one leg (B) and align to the housing at the edge-corner of the table apron. Each leg is to be mounted with two Bolts (①) and Flat Washers (②), by using the Allen Key (③).

**Repeat the same process with the remaining 2 legs.
DO NOT FULLY TIGHTEN BOLTS.**

Assembly Steps

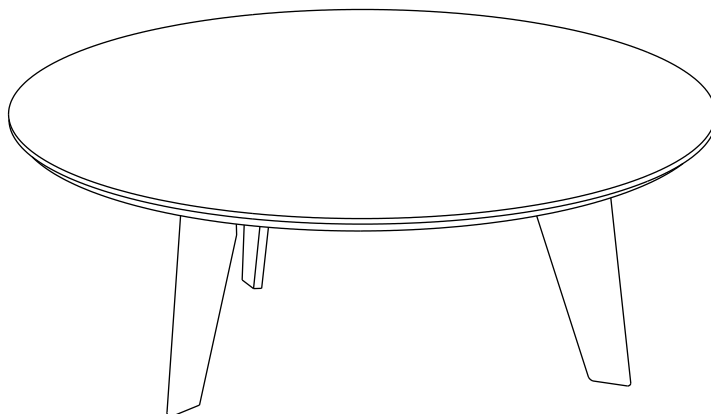
Step 3



Turn the Coffee Table right side up.
Inspect it and make sure all parts are adequately connected.
Ensure there is no wobbles.
In a sequential manner, ensure all bolts are fully locked into position and secured.











**CAUTION : When tightening these bolts, tighten sequentially.
DO NOT tighten any screw fully and then towards the next one. This would cause the frame to warp.
If there is still wobbles, loosen the bolts and execute this same drop tests.
WARNING!! IF TABLE IS NOT STABLE , IT COULD LEAD TO DAMAGING THE PRODUCT.**

Step 4



Ensure all bolts are fully locked into position.
The Coffee Table is ready to be used.
Caution: This Coffee Table can only be used on a flat, level surface.

Care & Maintenance

-  Do not put hot items directly on furniture surface.
-  Do not clean furniture with harsh cleansers or polish.
-  Do not place furniture under direct sunlight.
-  Do not place furniture near heating or cooling vents.
-  Do not write on furniture without a padded barrier to protect the surface.
-  Do not place furniture outside. For indoor use only.
-  Not for commercial use. For residential use only.
-  Stains may be removed with mild soap solution and damp cloth.
-  Children should not climb or jump on the furniture.
-  Dust and pick-up spills using a clean, non-colored, lint-free cloth.

What is Proposition 65?

Proposition 65 is a California law that requires warning labels on products that may contain one of more than 800-plus chemicals or ingredients that the California Office of Environmental Health Hazard Assessment (OEHHA) has deemed to cause cancer or other reproductive toxicity. Chemicals and elements on this list include wood dust, brass, and other everyday substances, which can be found in very common household items, such as: lamps, tableware, jewelry, crystal glasses, electric cords, beauty products, automobiles, and furniture.

Why Did I Find a Proposition 65 Warning on My Home Goods Product?

We include Proposition 65 warnings on all of our products because there is always a chance that one of the 800-plus common chemicals and ingredients listed under this law could potentially be on our furniture or packing materials. We risk large fines under this law, if we don't include this warning.

Should I worry?

We realize you may be worried finding this warning on our products, but we want to reassure you that the hazardous exposure limits for any of these chemicals have never been found on furniture products that we've shipped to our customers. Additionally, this warning label is very common and can be found on almost every piece of furniture sold in the state of California.

Just How Common Are Proposition 65 Warnings?

Proposition 65 warnings have become so common in California that it is hard to take a trip to a local bank, grocery store, or restaurant without finding at least one warning. In fact, even the Disney Land Resort has a Proposition 65 warning:

