

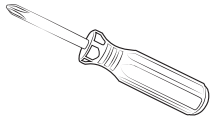
# USER MANUAL

---

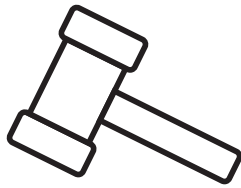


CABINET

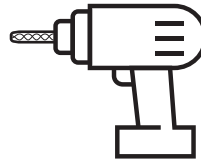
# TOOLS REQUIRED



Phillips screwdriver  
(Not included )



Hammer  
(Not included)



Drill  
(Not included)



Protective blanket  
(Not included)



## ATTENTION

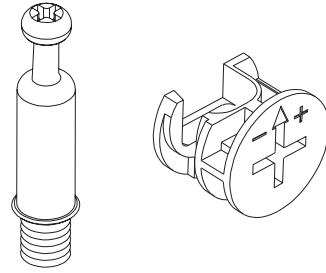
Keep children and pets away while assembling.



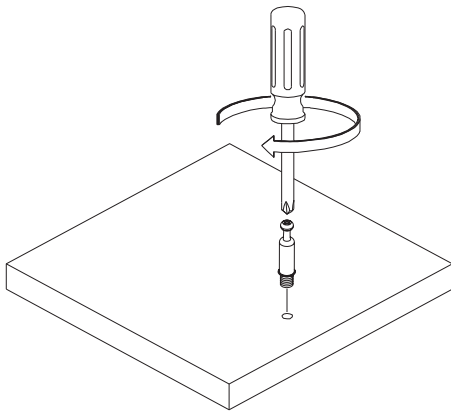
# How to use cam locks

## CAM LOCK FASTENING SYSTEM

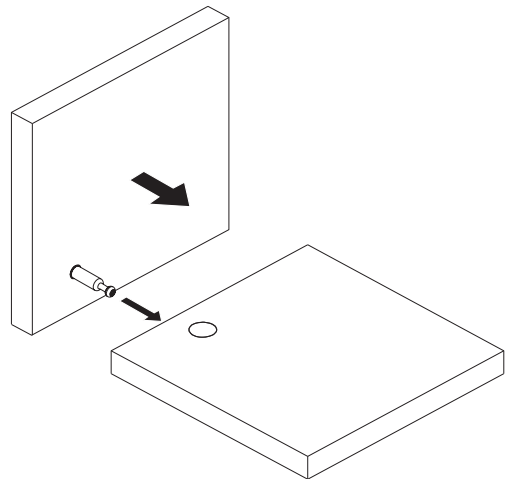
This Cam Lock Fastening System will be used throughout the assembly process.



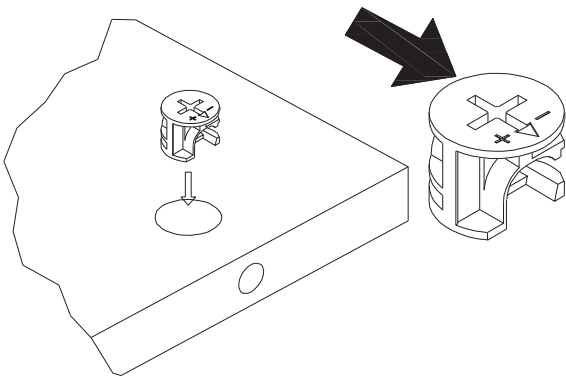
1



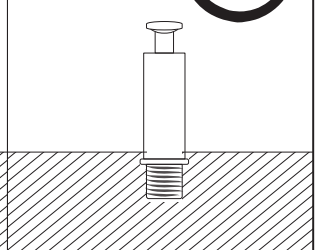
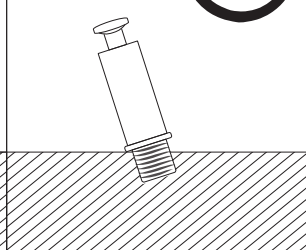
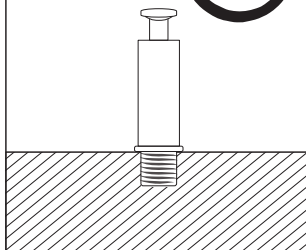
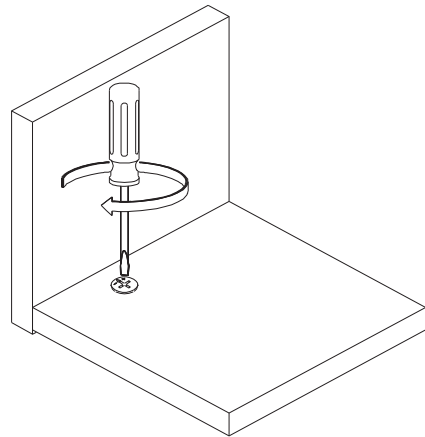
2



3



4



## INTRODUCTION

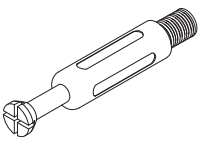
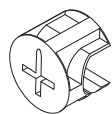
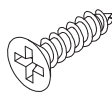
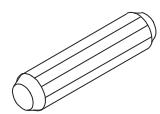
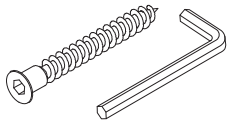
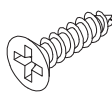
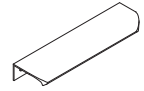

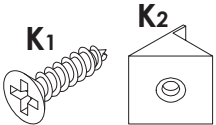
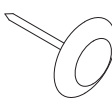


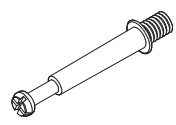
Thank you very much for choosing our product. Please read the instruction carefully before assembly and keep it for future reference. If you need further assistance on assembly, please contact our customer service through email.

---

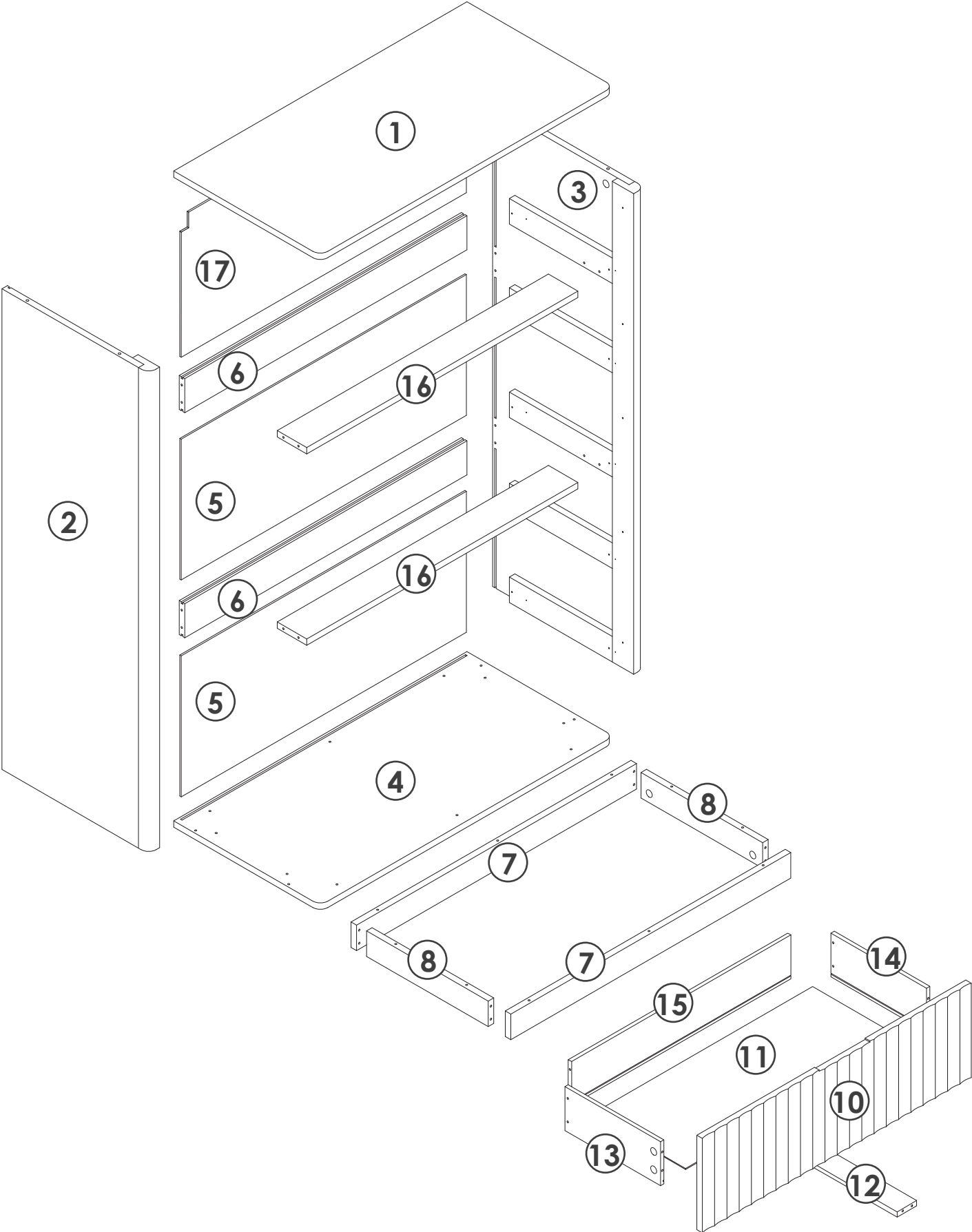
### **Tips:**

1. When installing the product, use a soft underlay (such as carpet or cardboard) to avoid scratching or damaging the surface of the product.
2. Don't tighten screws completely at first, just in case parts were assembled wrong and need disassemble. Tighten screws at last when all parts are put together.
3. The structure of this product can not meet the requirements of the placement of heavy items and children climbing.

# HARDWARES LIST

<p><b>A</b> x24</p>  <p>M6*40mm</p>	<p><b>B</b> x54</p>  <p>M15*11mm</p>	<p><b>C</b> x30</p>  <p>M3.5*14mm</p>	<p><b>D</b> x12</p>  <p>M8*40mm</p>
<p><b>E</b> x44</p>  <p>M5*40mm</p>	<p><b>F</b> x30</p>  <p>M3*12mm</p>	<p><b>H</b> x5</p> 	<p><b>J</b> x30</p> 
<p><b>K</b> x18</p>  <p>M3*16mm</p>	<p><b>L</b> x4</p> 	<p><b>M</b> = CR + DR + CL + DL x5</p>  <p>12 INCHES</p>	
<p><b>N</b> x2</p>  <p>N1 N2 N3 N4</p> <p><b>P</b> x30</p>  <p>M6*40mm</p>			

# PRODUCT ASSEMBLY

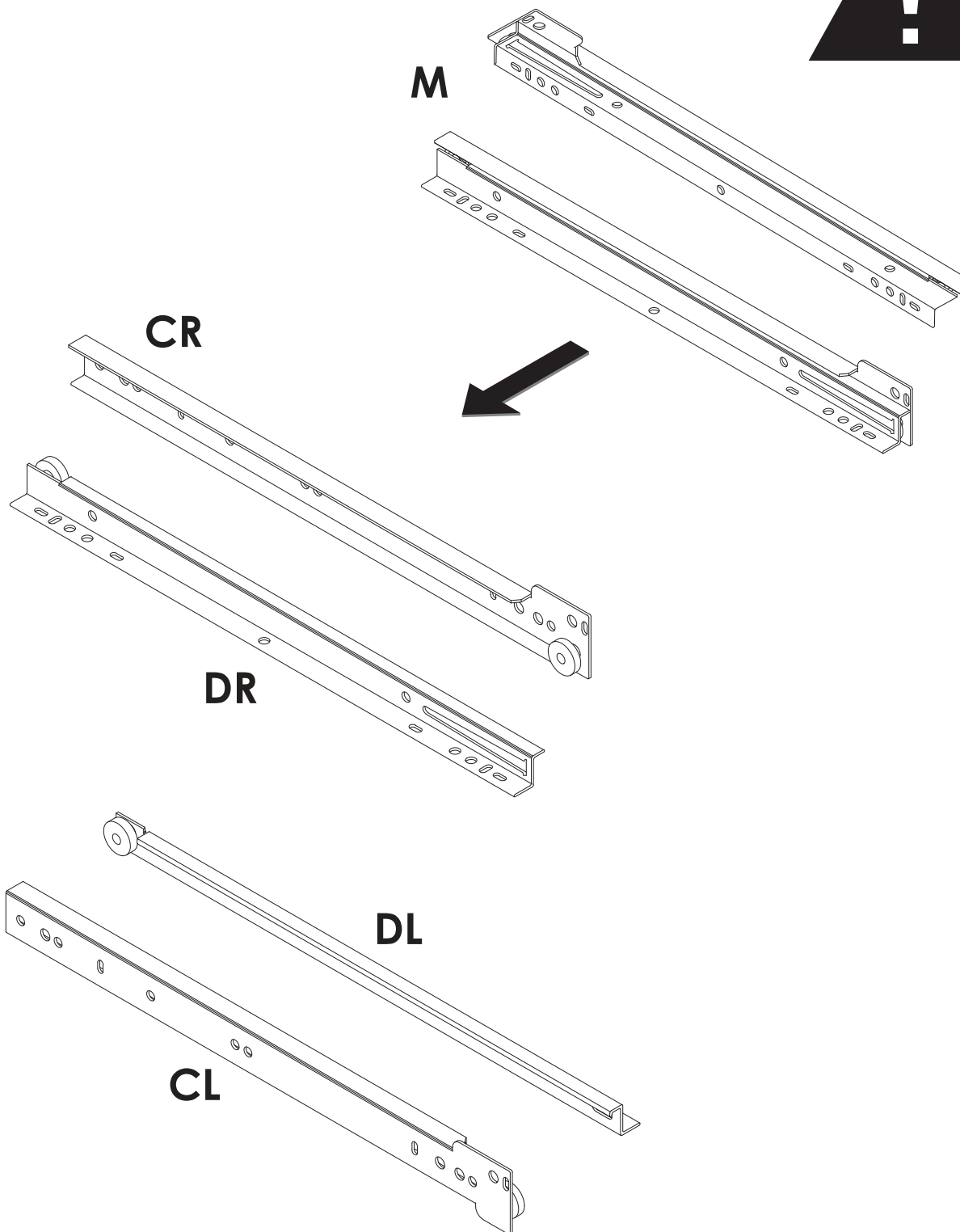


x5

# INSTALLATION INSTRUCTION

---

$$M = CR + DR + CL + DL$$



# 01

**C** x15pcs



M3.5\*14mm

**M** x5pcs



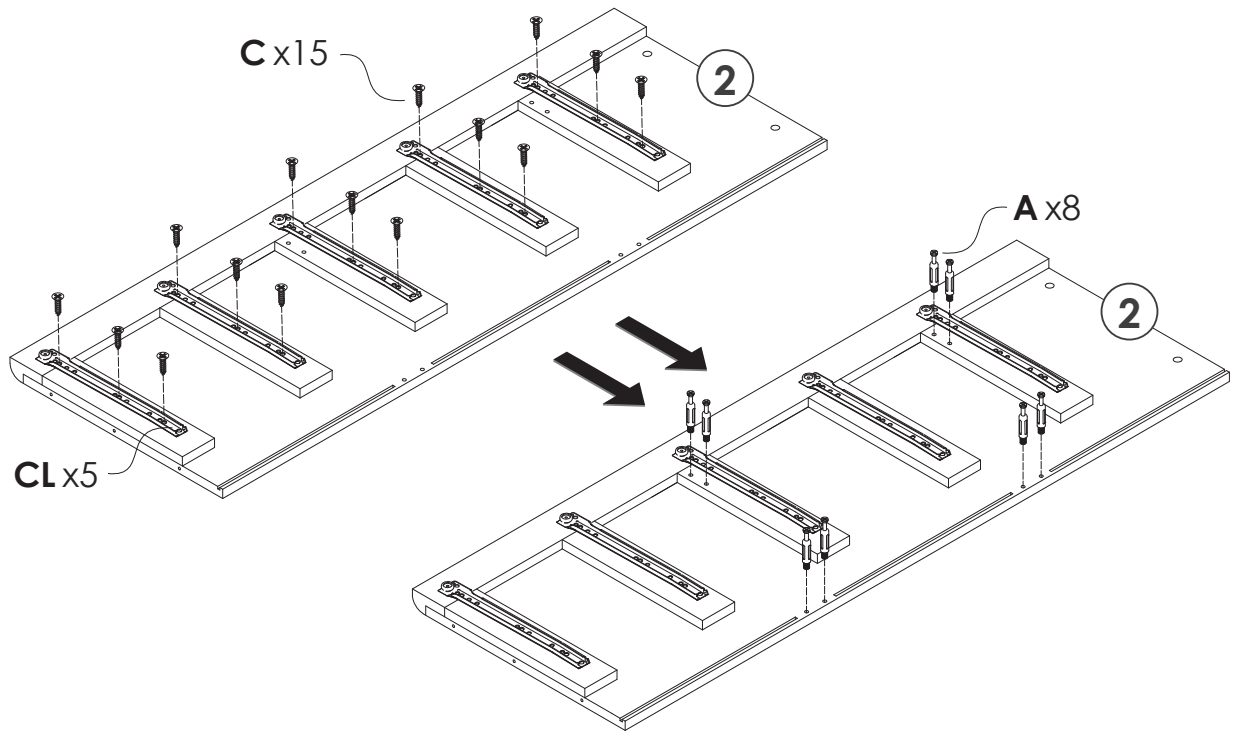
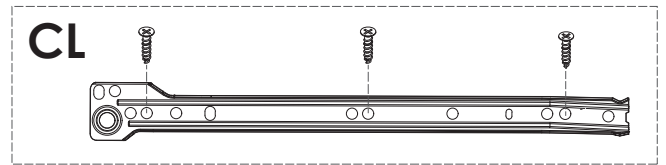
**CL**

12 inches

**A** x8pcs



M6\*40mm



# 02

**C** x15pcs



M3.5\*14mm

**M** x5pcs



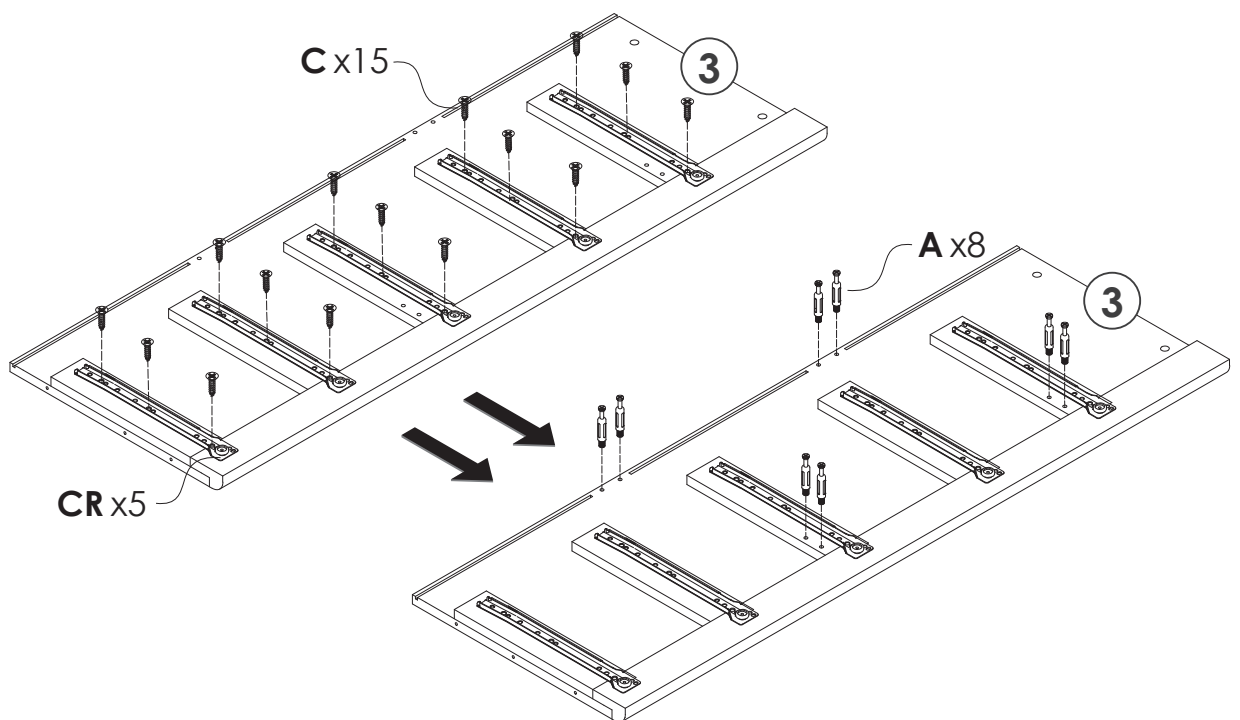
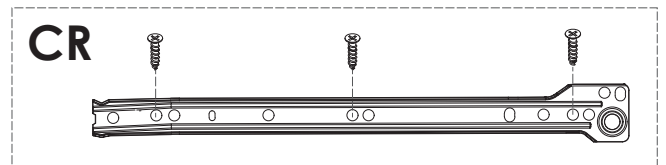
**CR**

12 inches

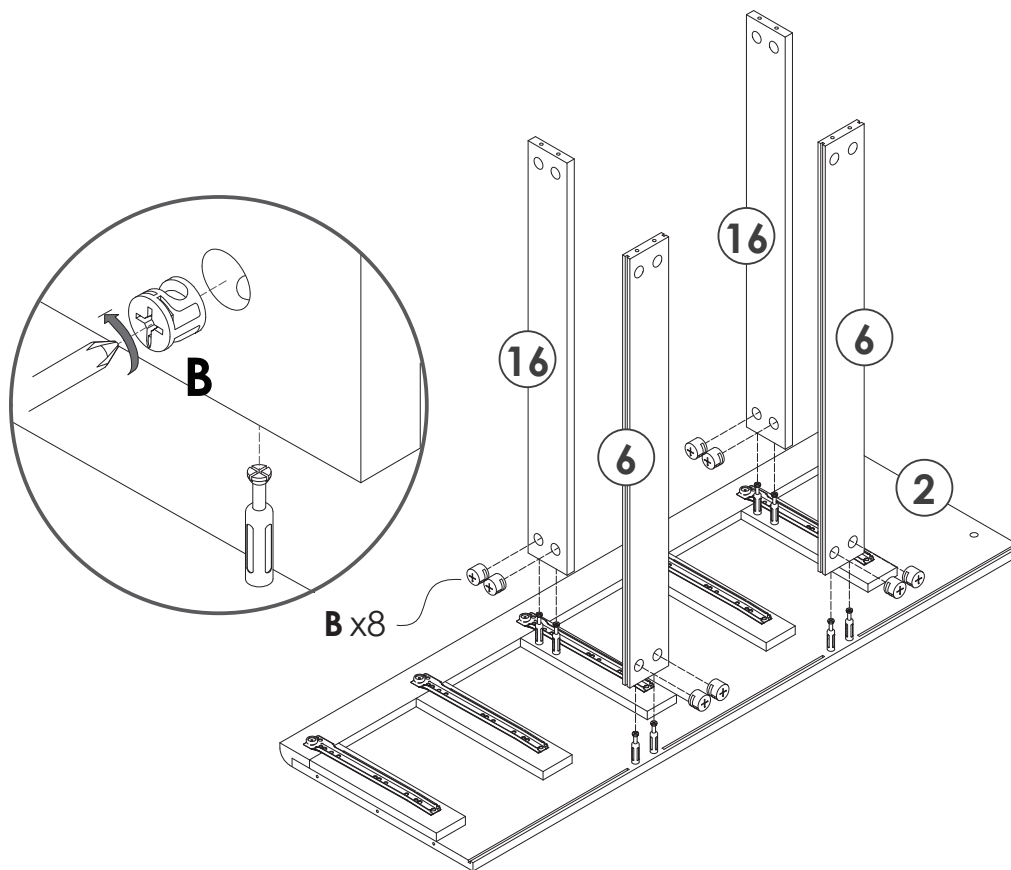
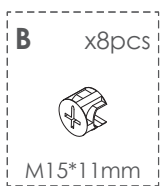
**A** x8pcs



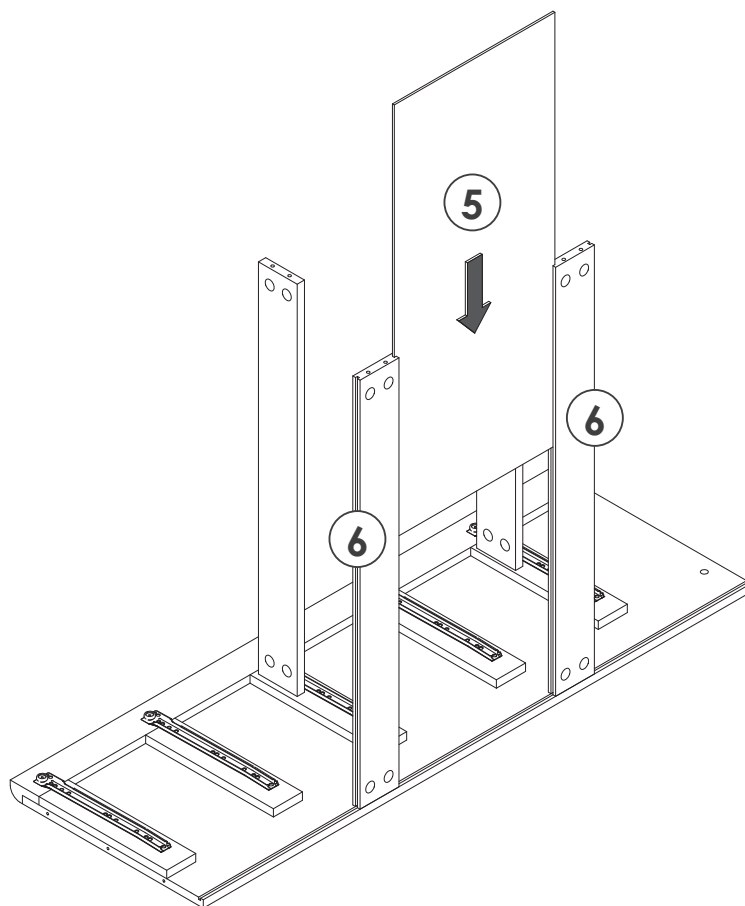
M6\*40mm



# 03



# 04

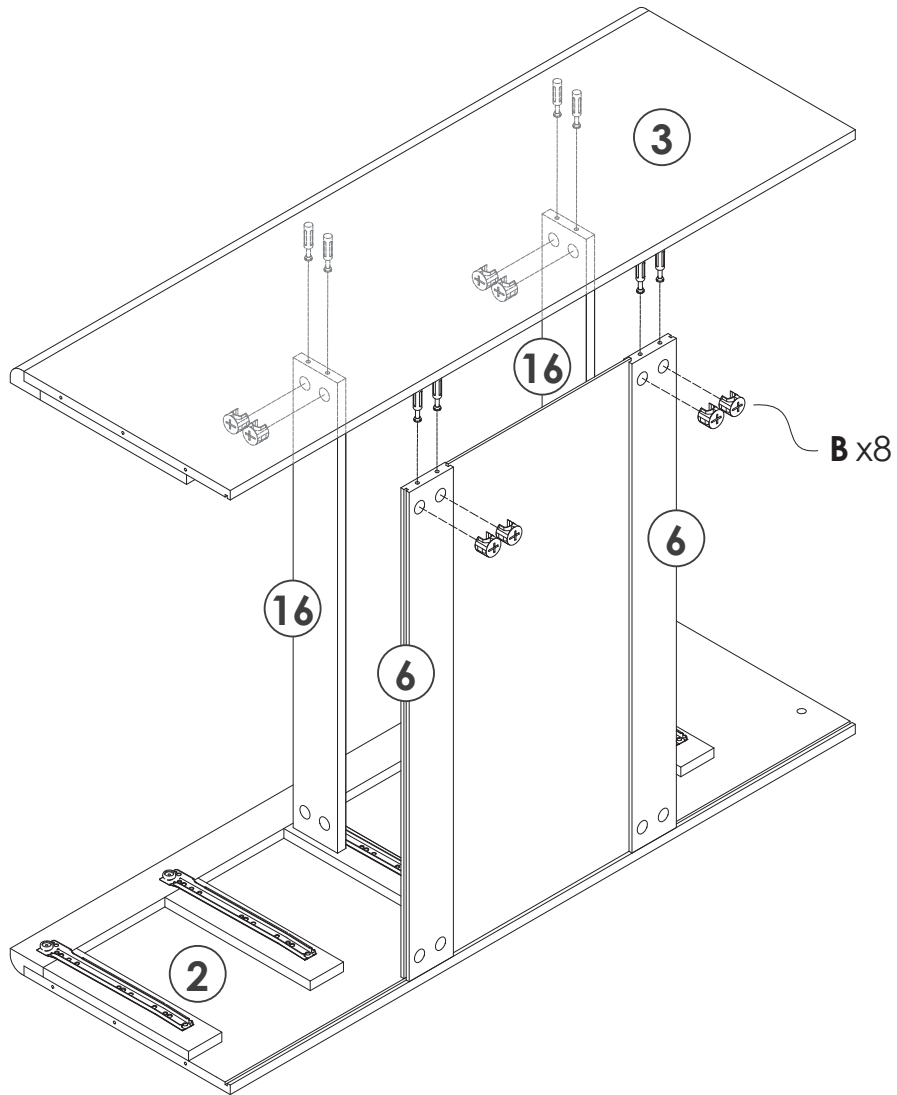


# 05

**B** x8pcs



M15\*11mm

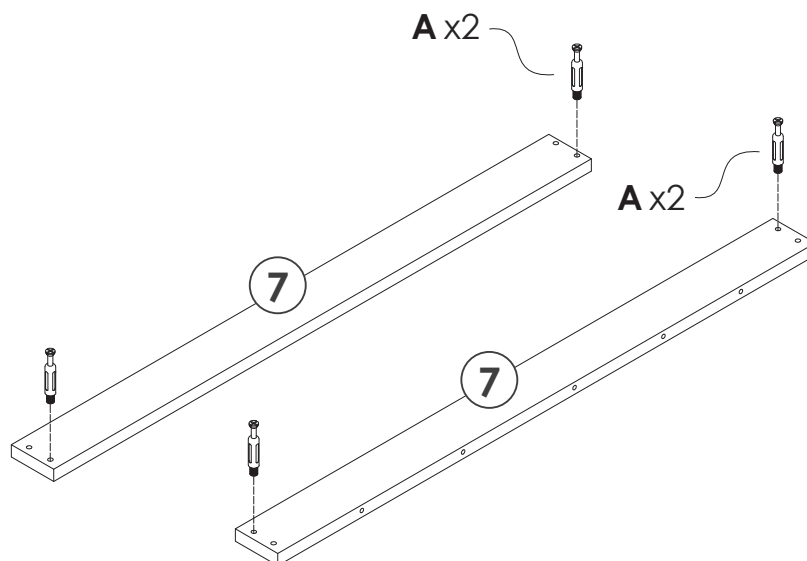


# 06

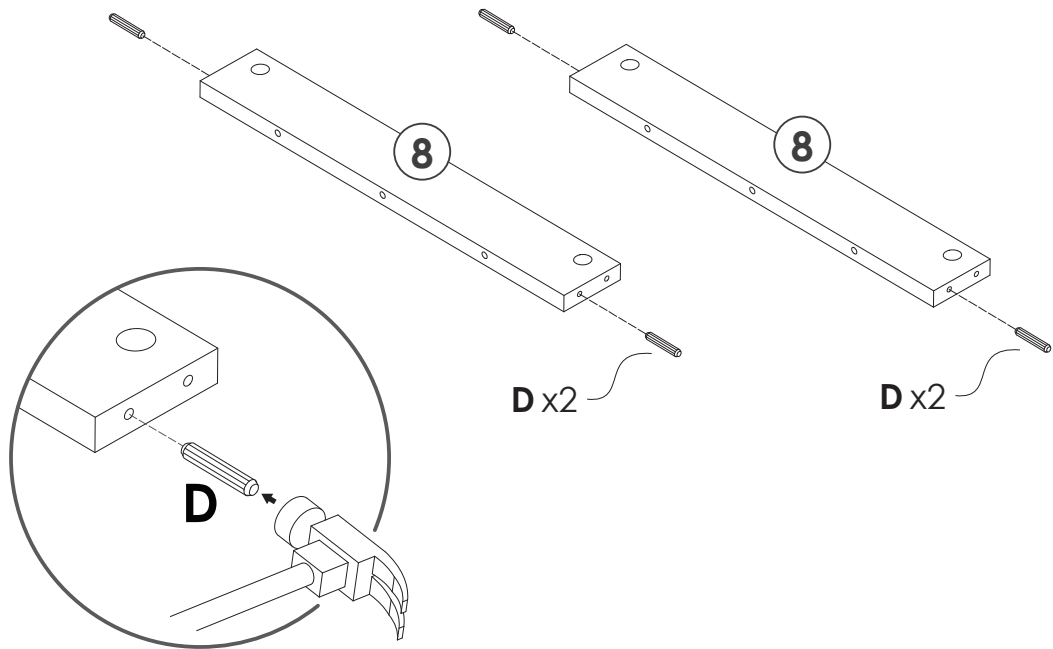
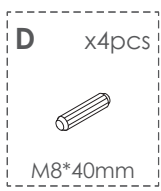
**A** x4pcs



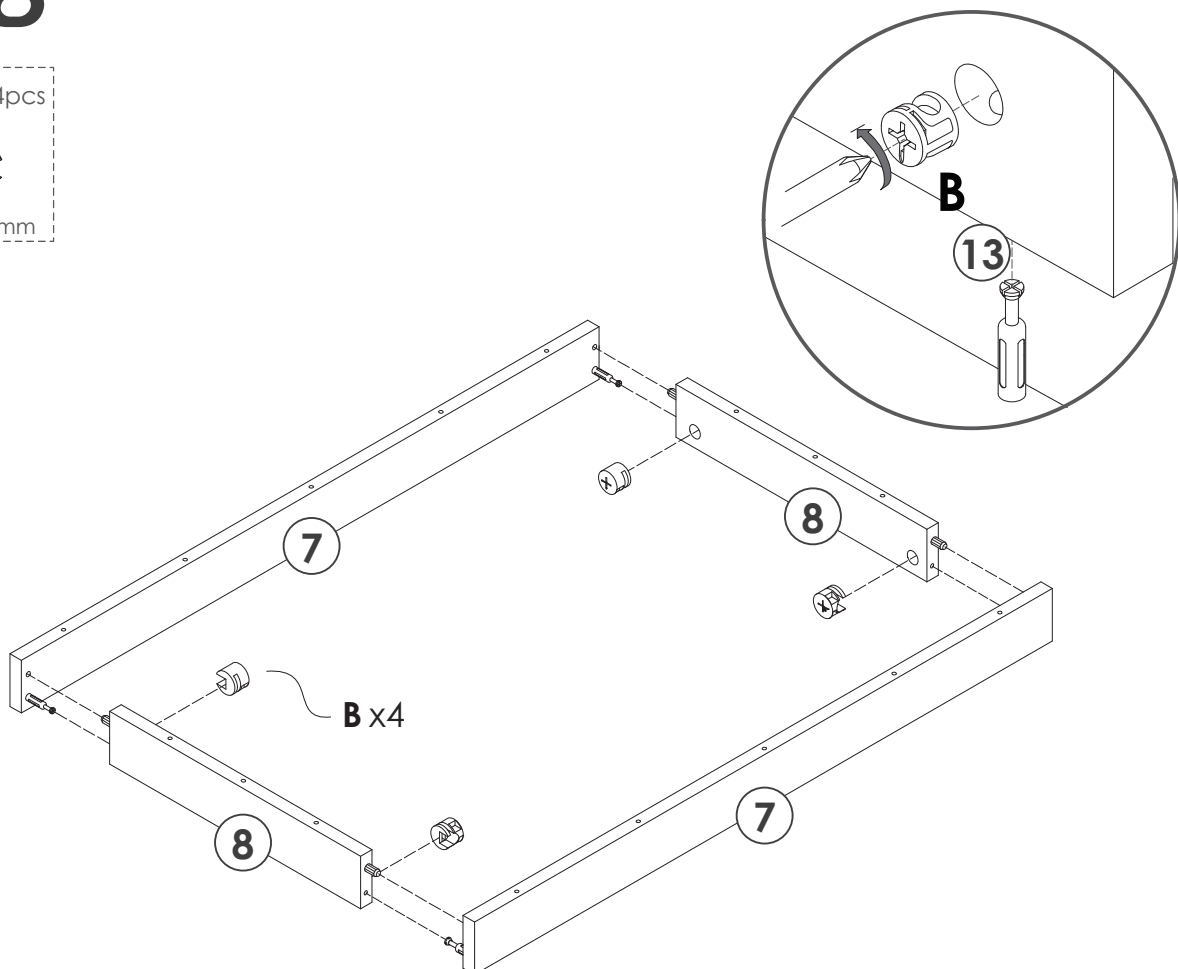
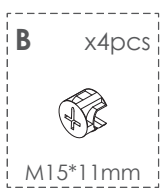
M6\*40mm



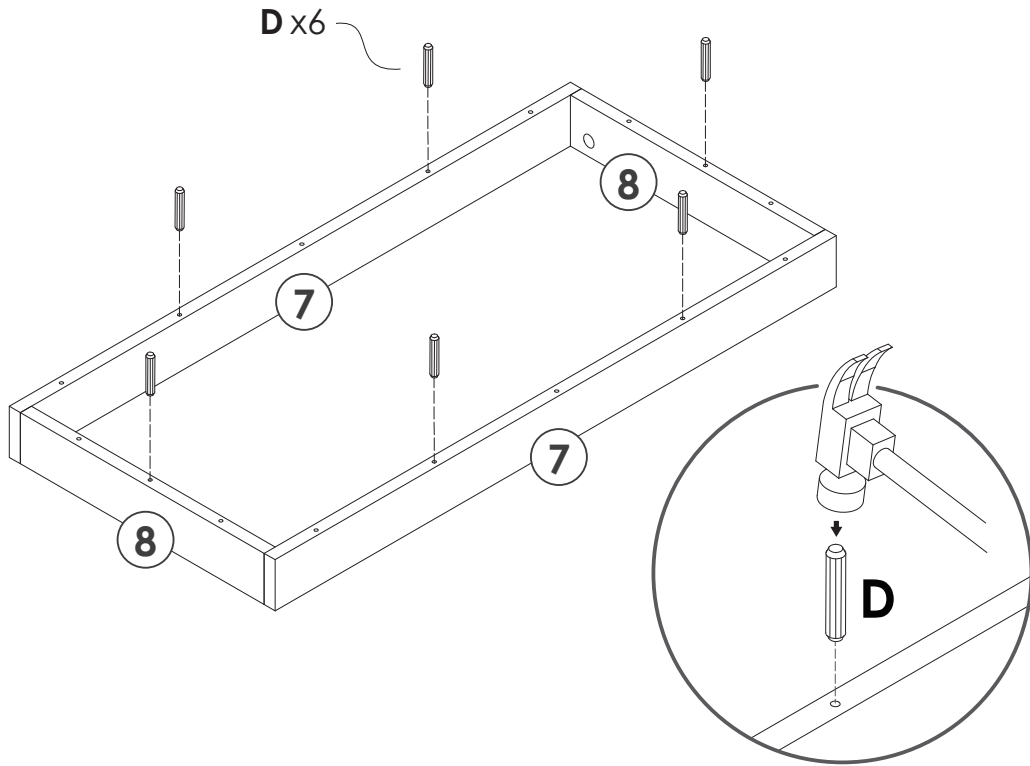
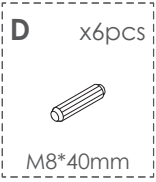
# 07



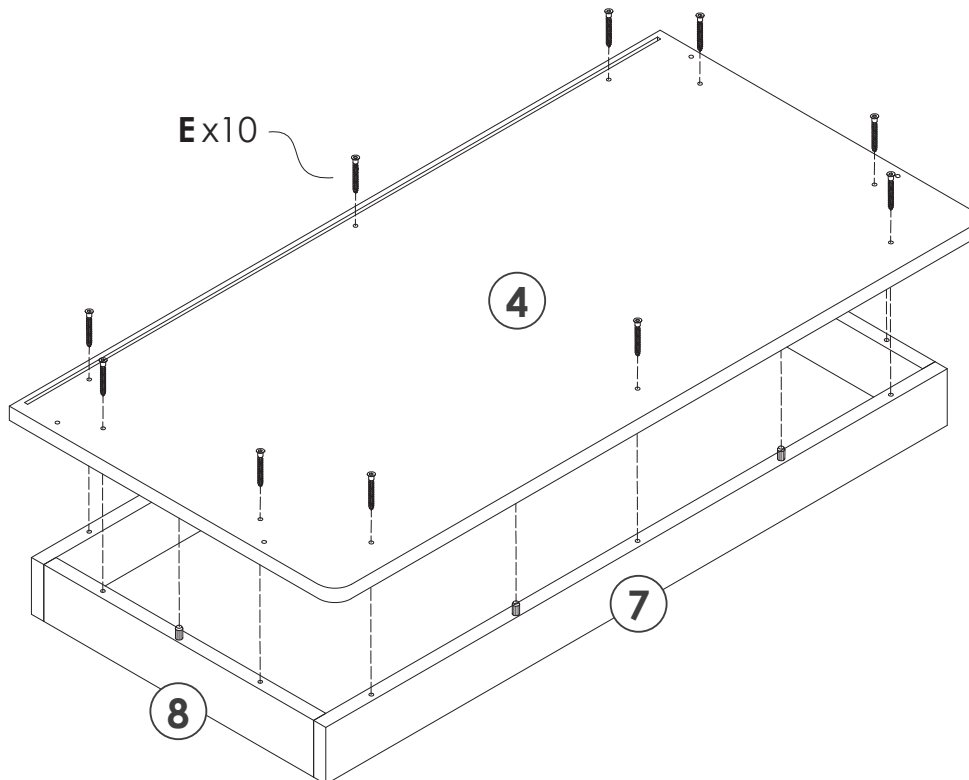
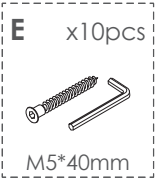
# 08



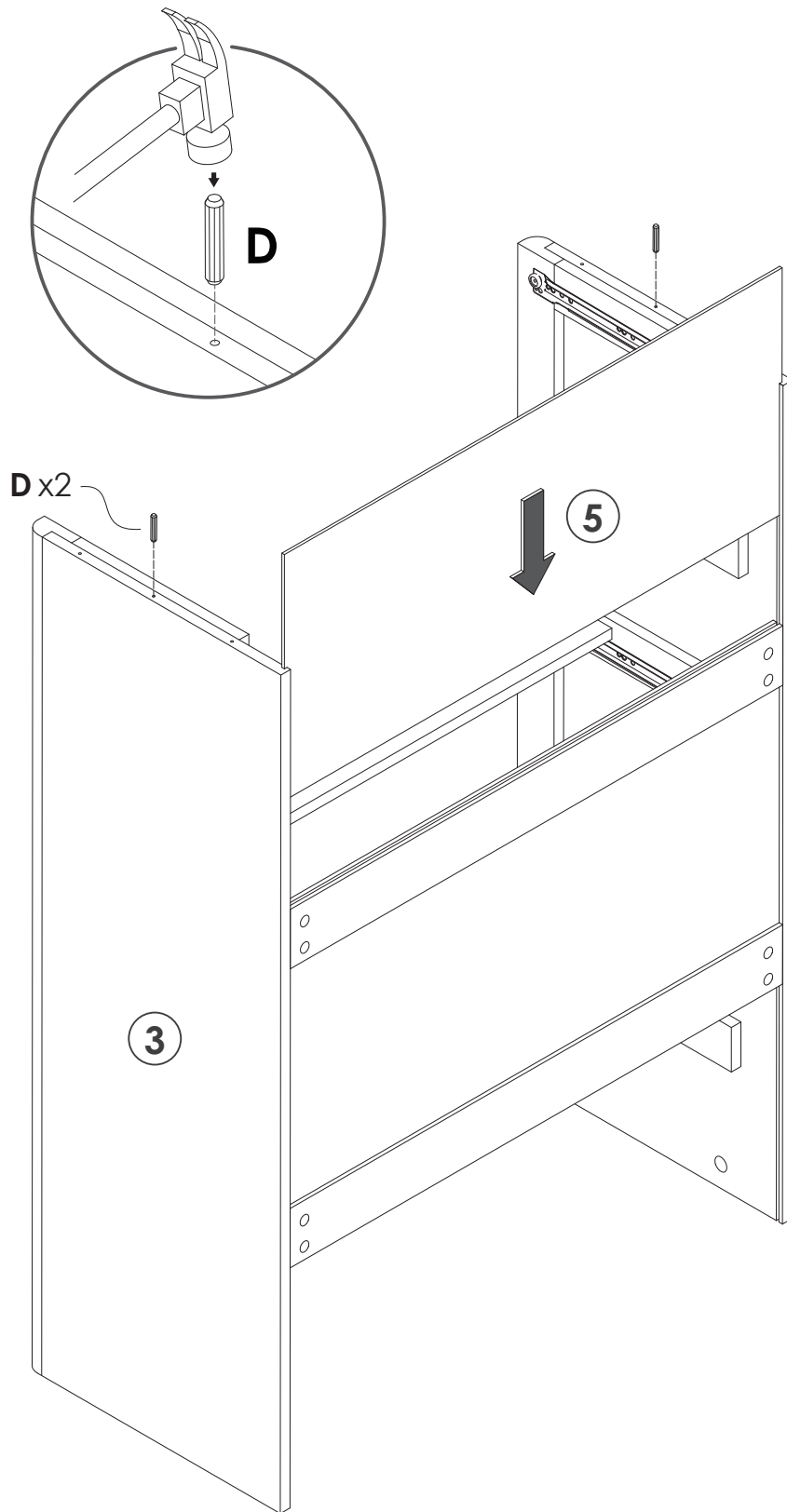
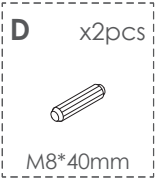
# 09



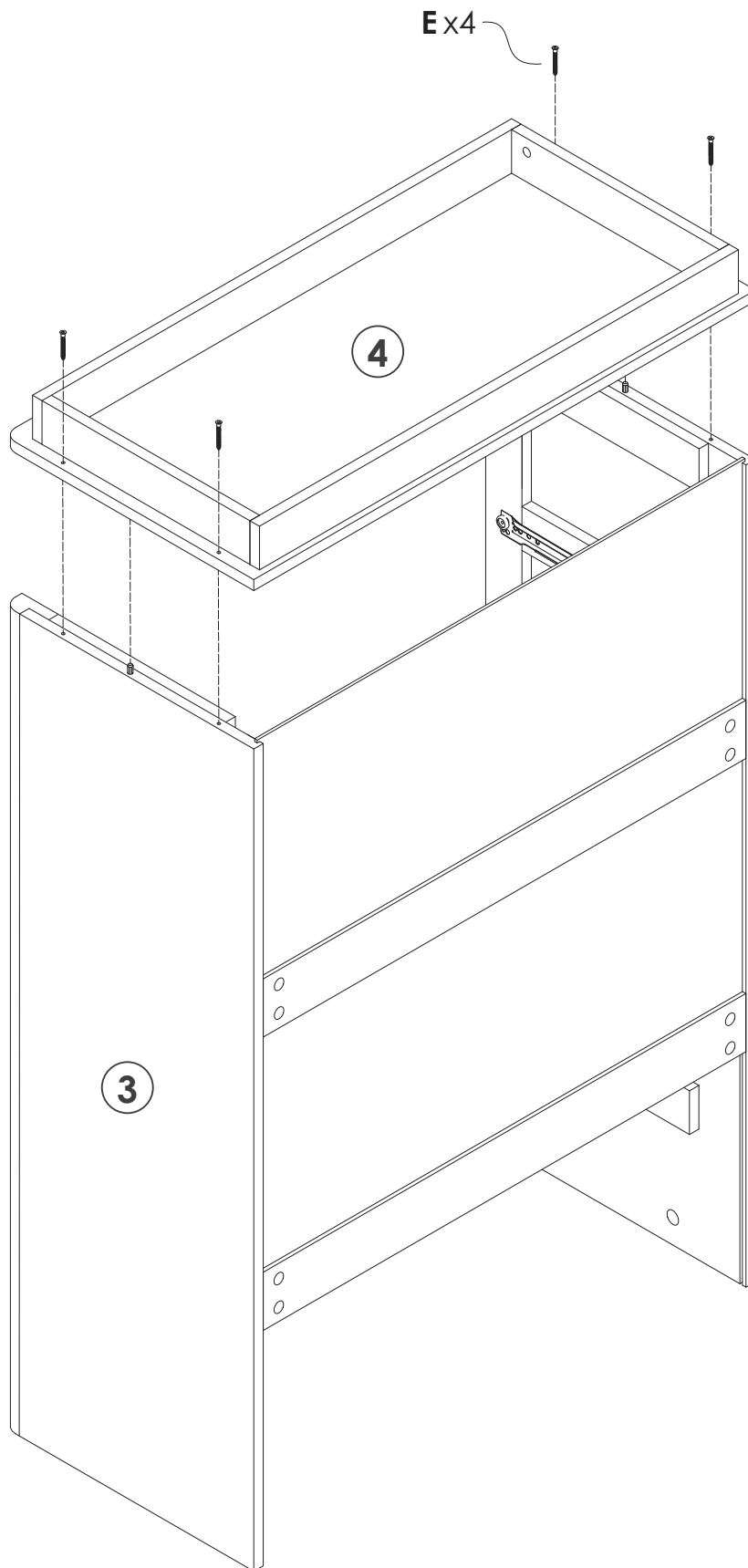
# 10



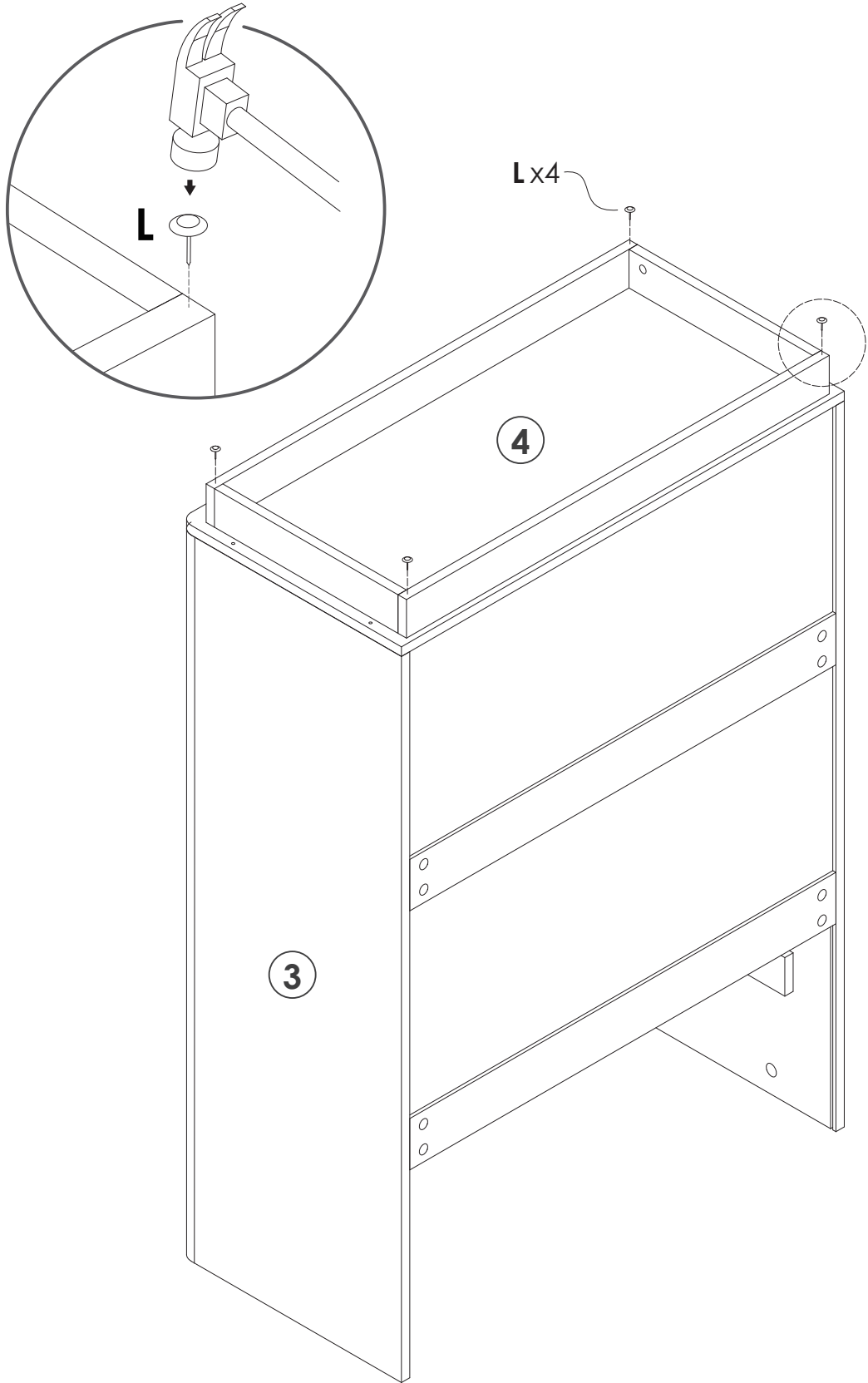
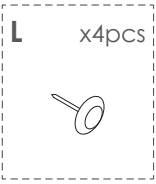
# 11

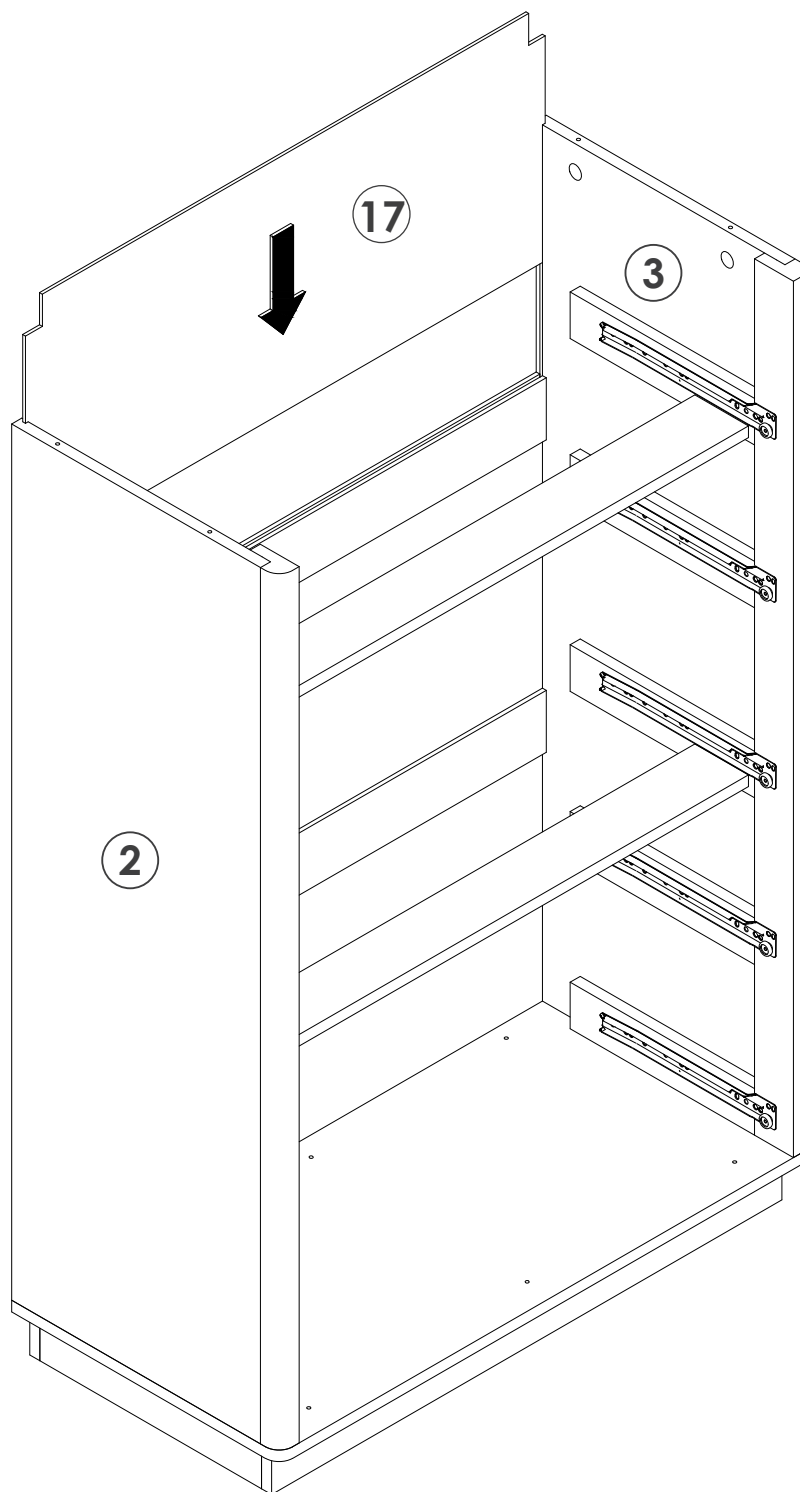


# 12



# 13





# 15

**A** x4pcs



M6\*40mm

**B** x4pcs



M15\*11mm

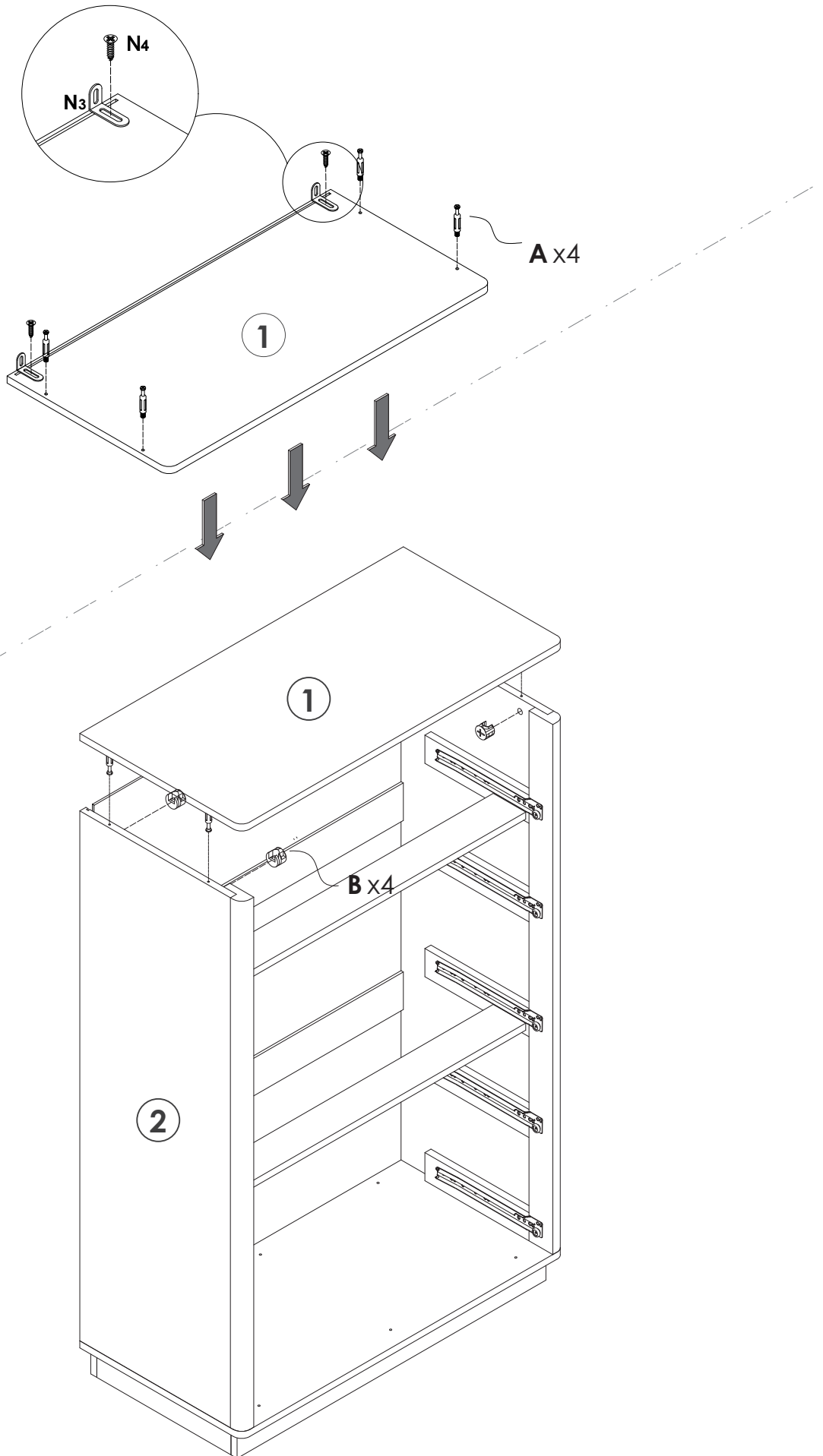
**N** x2pcs



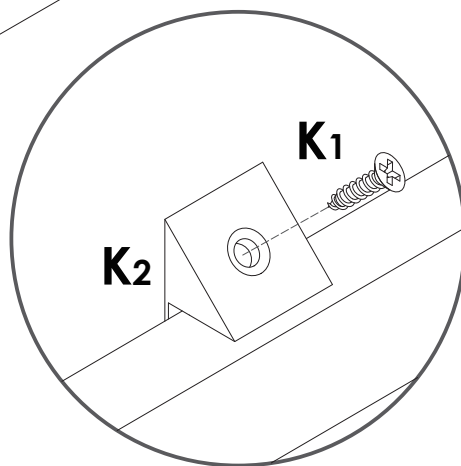
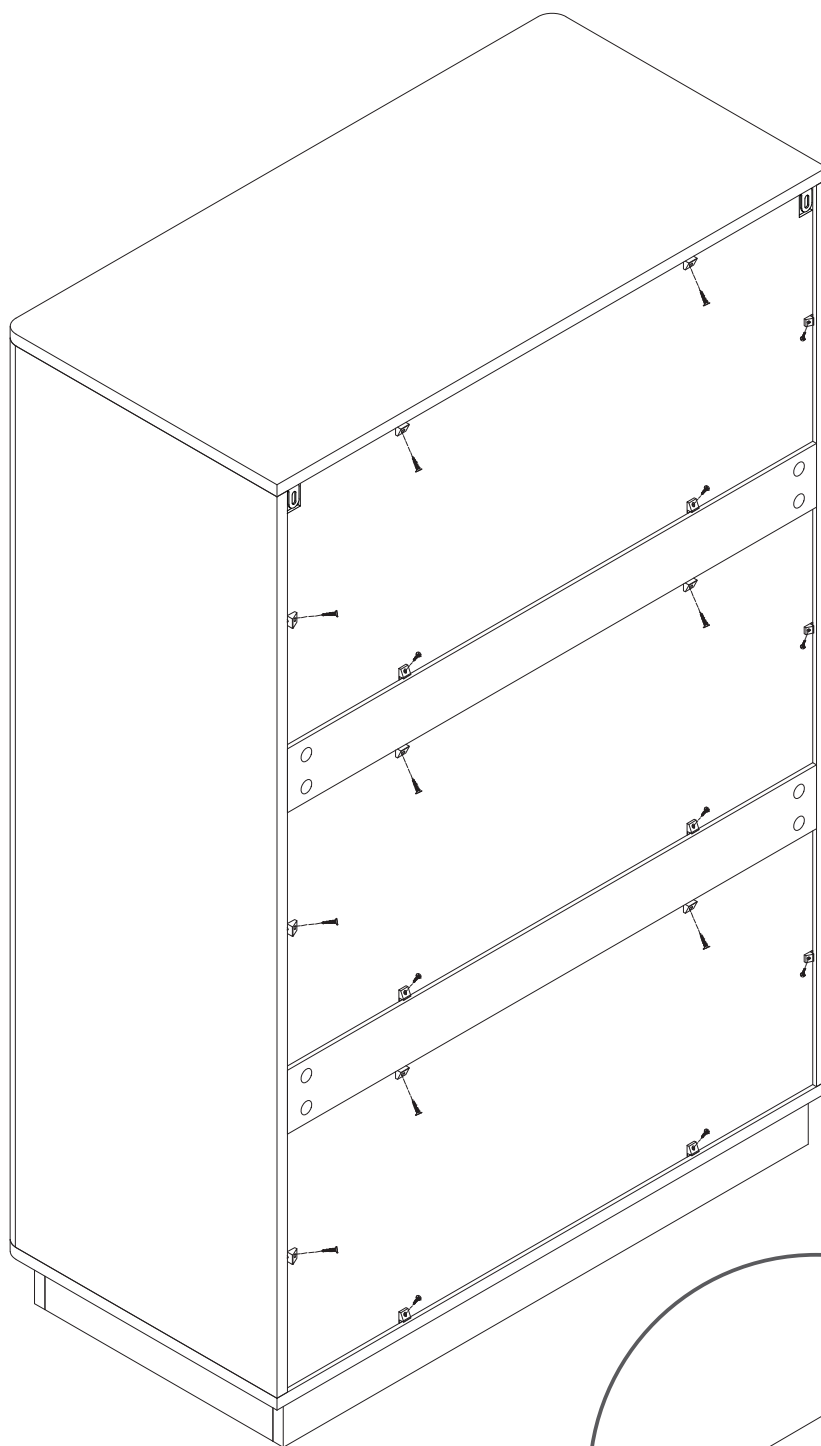
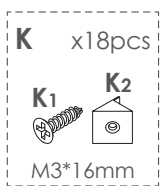
**N3**



**N4**

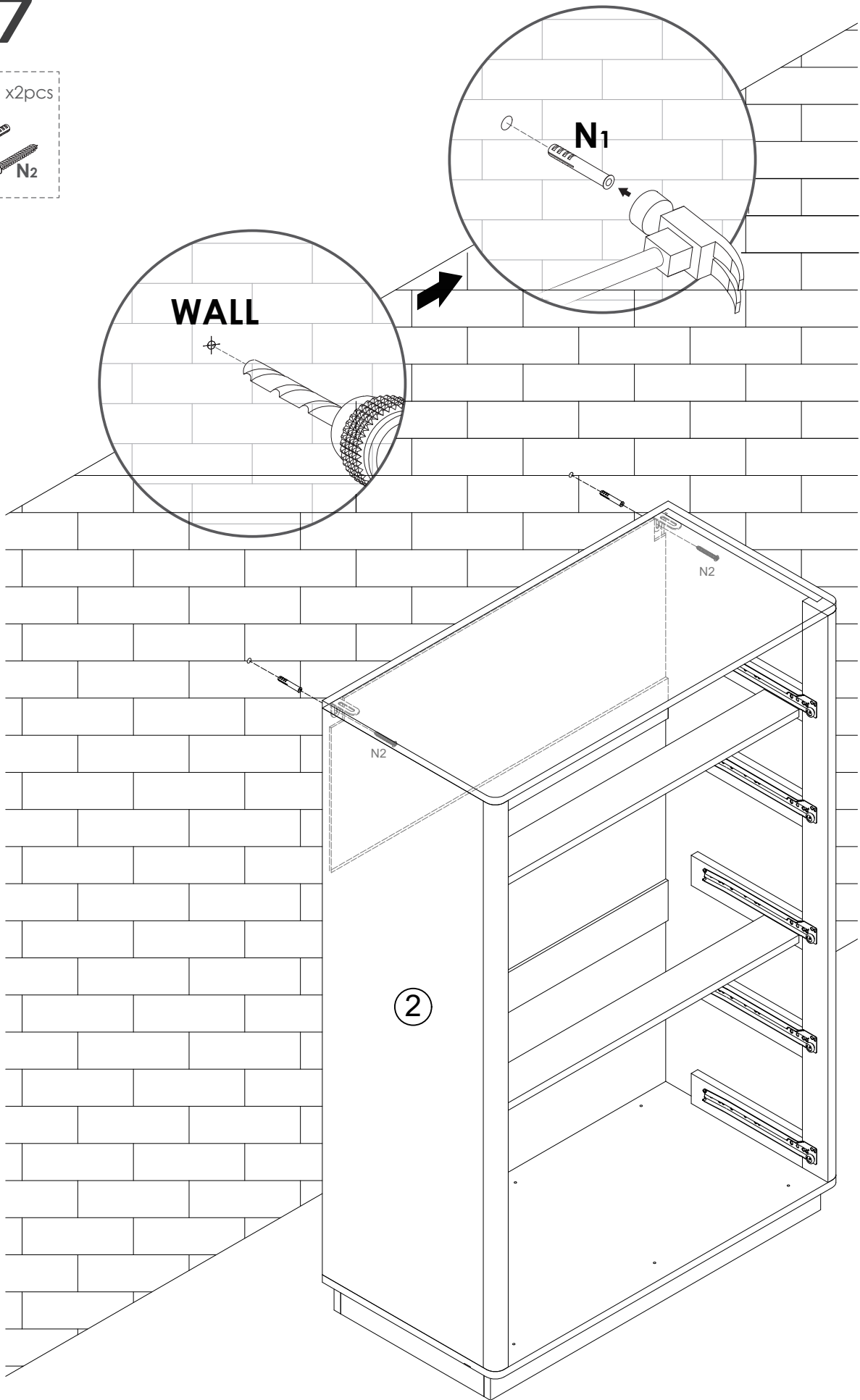


# 16



# 17

N x2pcs



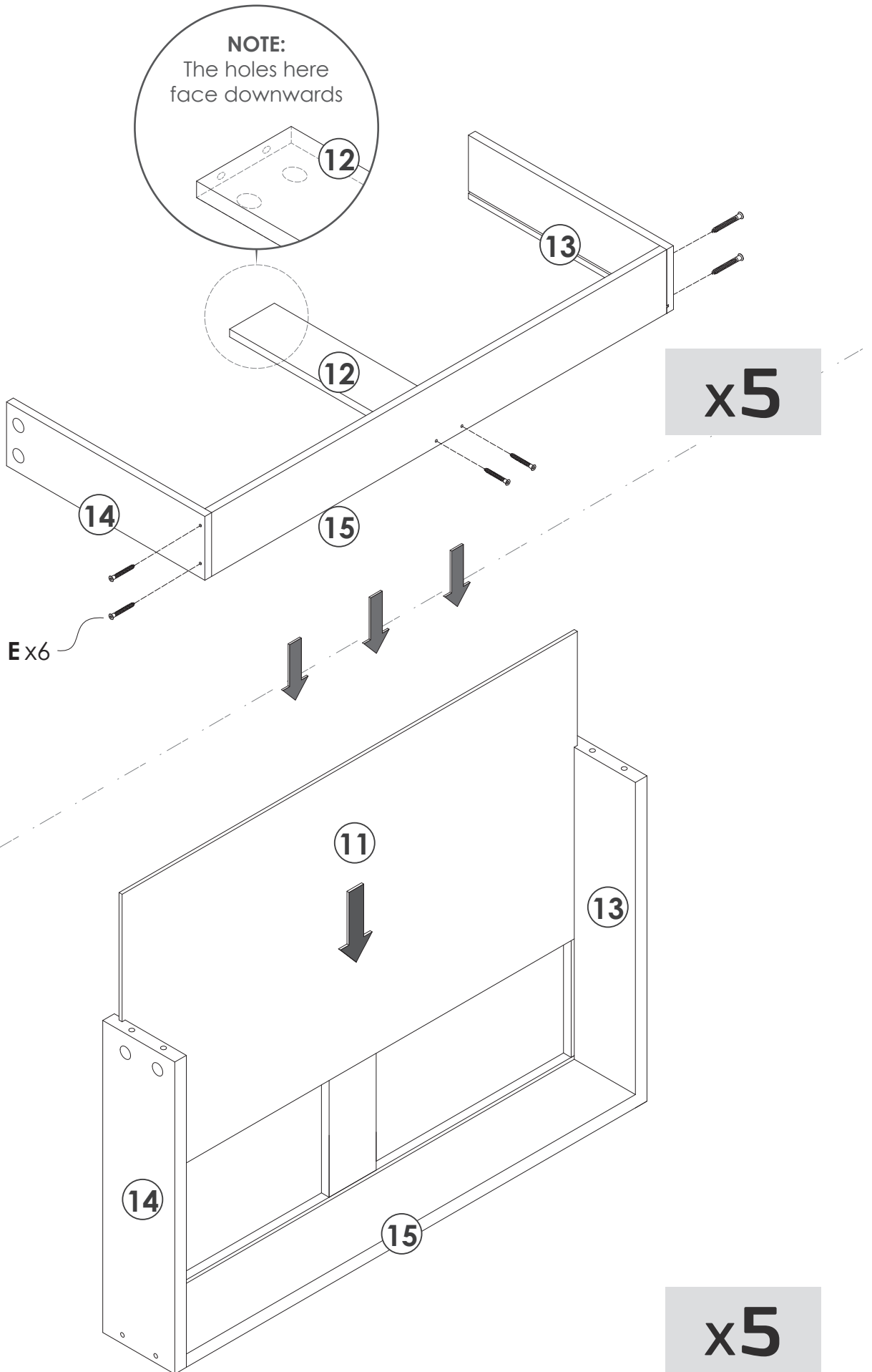
# 18

E x30pcs



M5\*40mm

**NOTE:**  
The holes here  
face downwards



# 19

**P** x30pcs



M6\*40mm

**H** x5pcs



**F** x10pcs

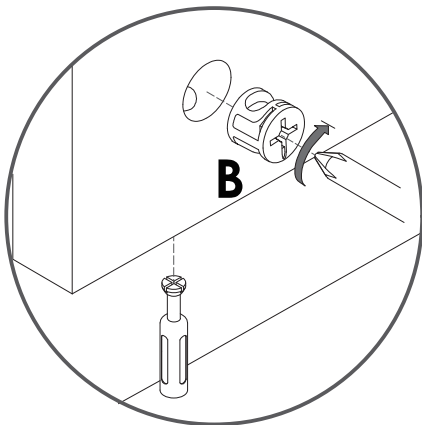
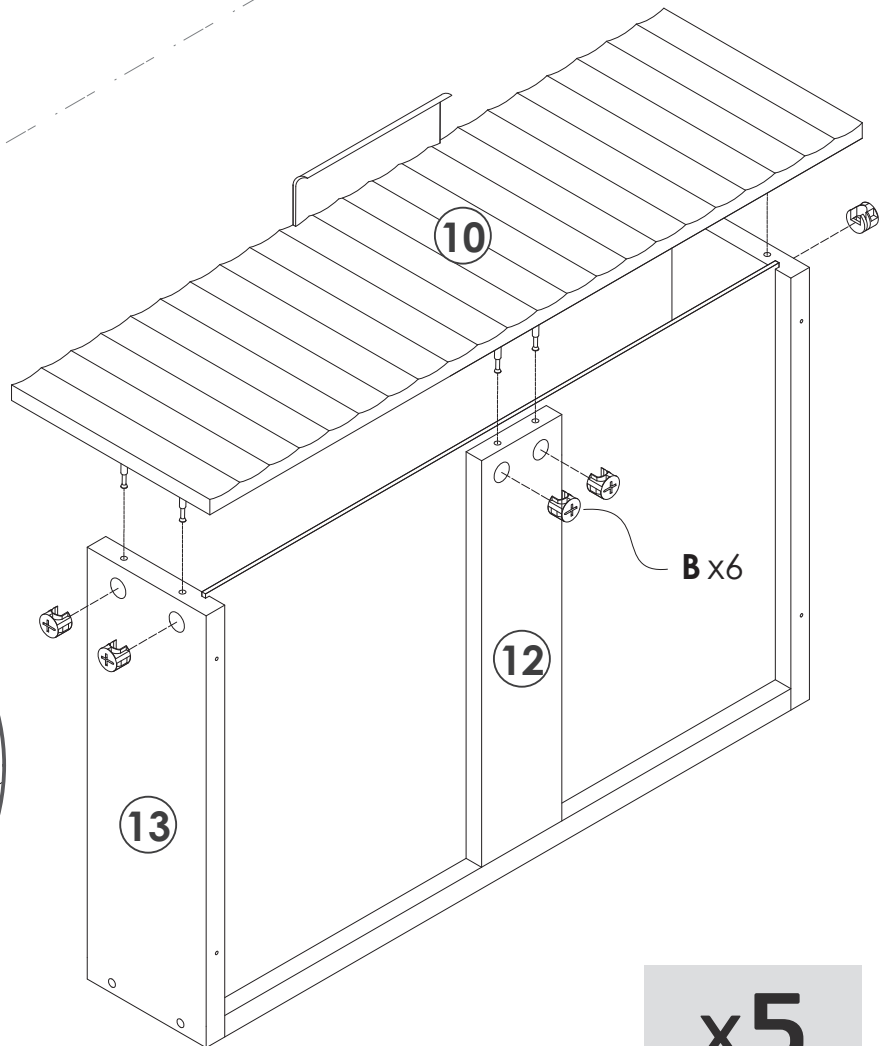
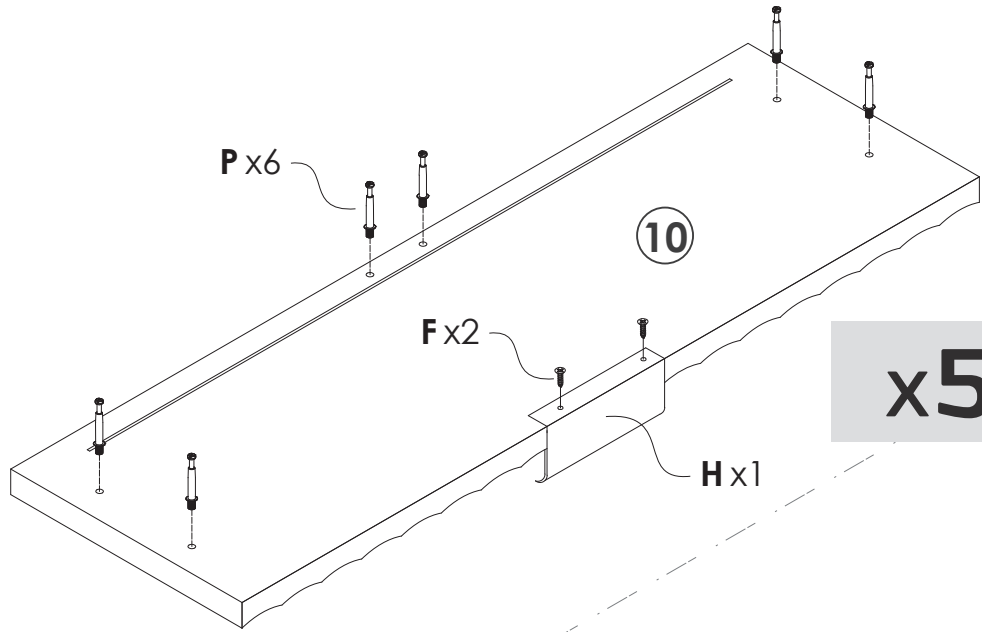


M3\*12mm

**B** x30pcs



M15\*11mm



# 20

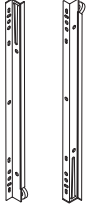
**F** x20pcs



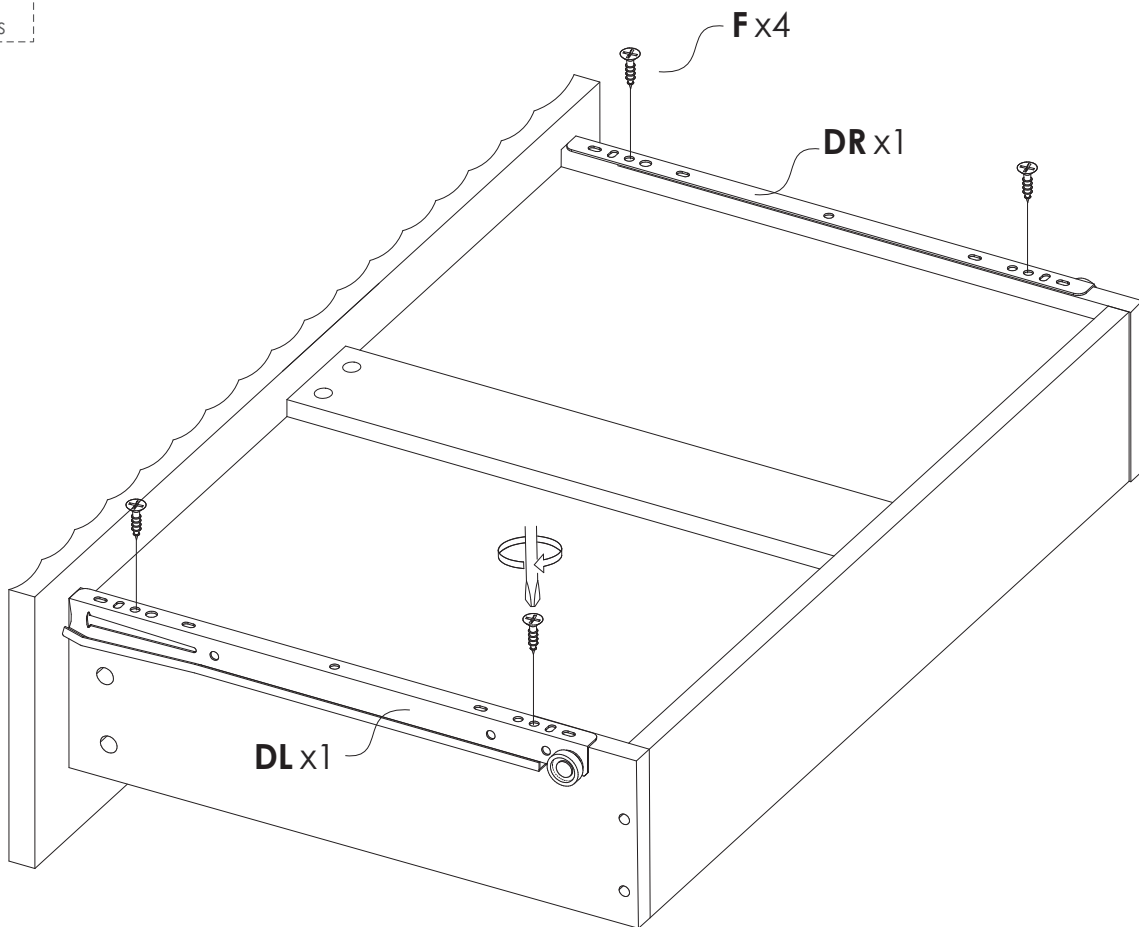
M3\*12mm

**M** x5pcs

**DL DR**

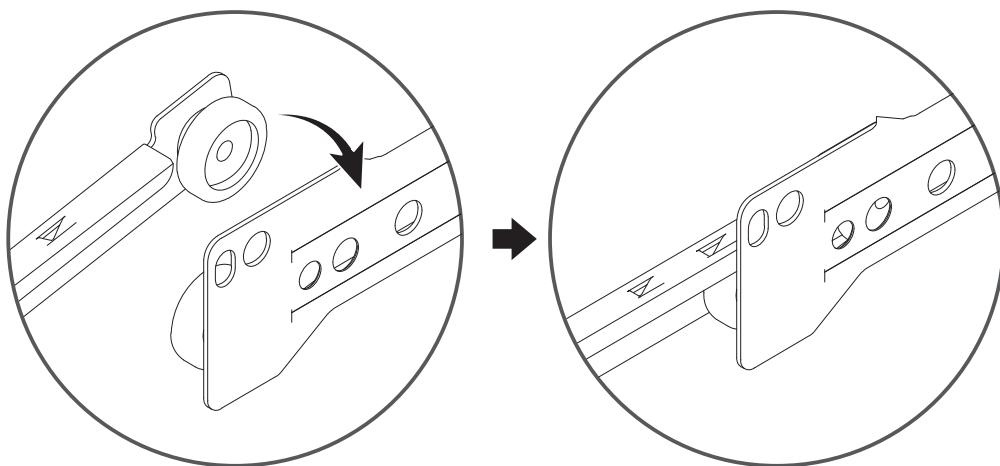
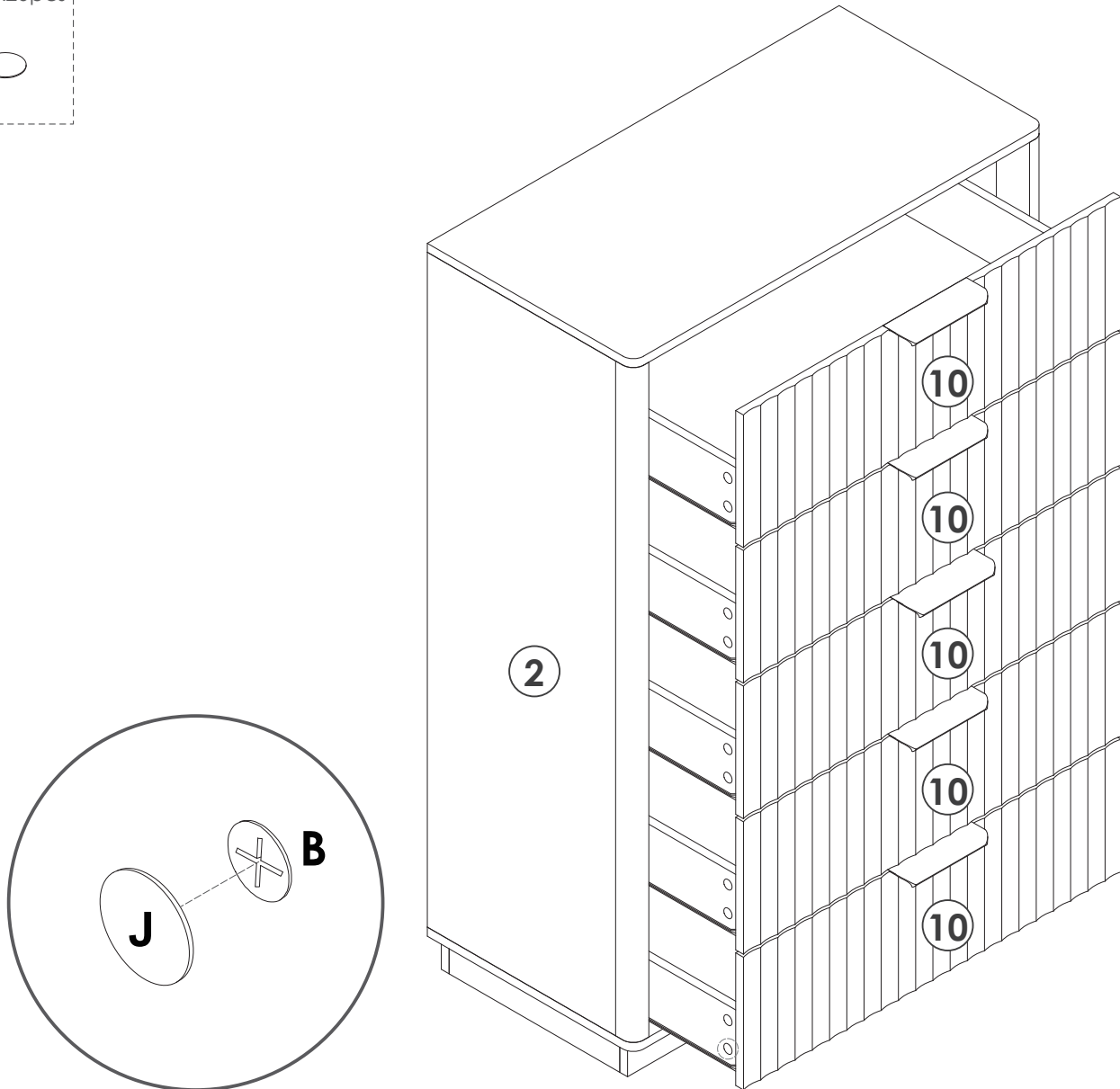
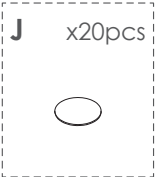


12 inches



**x5**

# 21



## WARRANTY

We provide an **18-month** warranty on the product starting from the date of the original purchase. If the product has any manufacturing defect, please contact us through email with details about the problem. We will send you further information about the return or exchange.