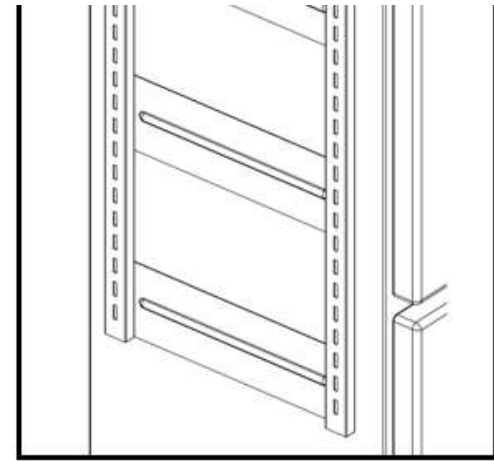
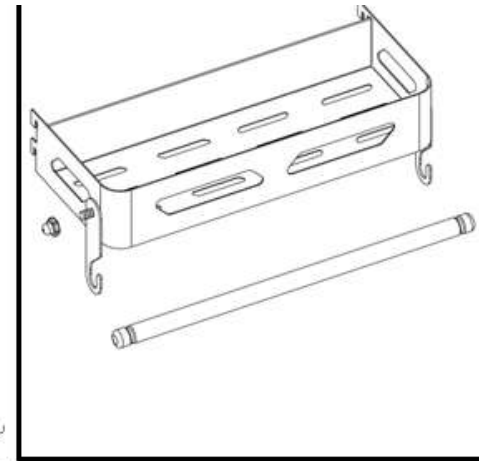
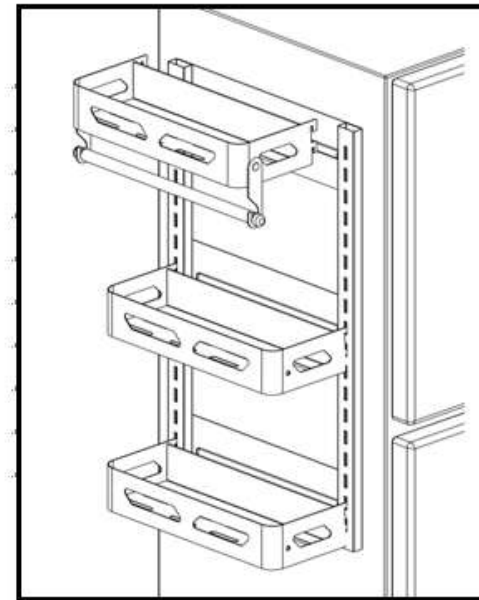


Installation Instruction

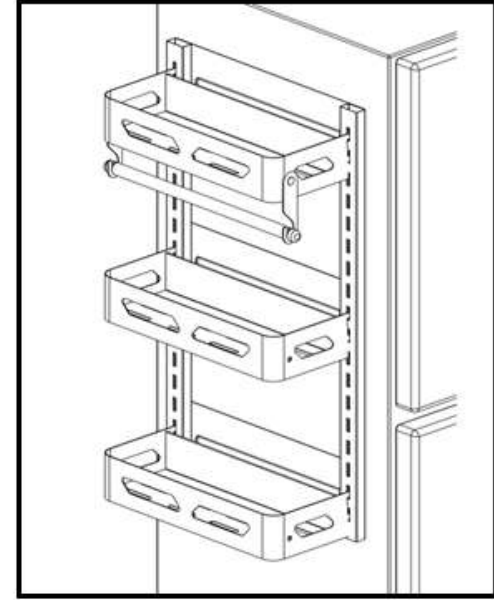


1. Put the hook on tier.

2. Stick to any magnet-absorbing surfaces.



3. Put 3 tiers on the rack.



4. After finishing.

