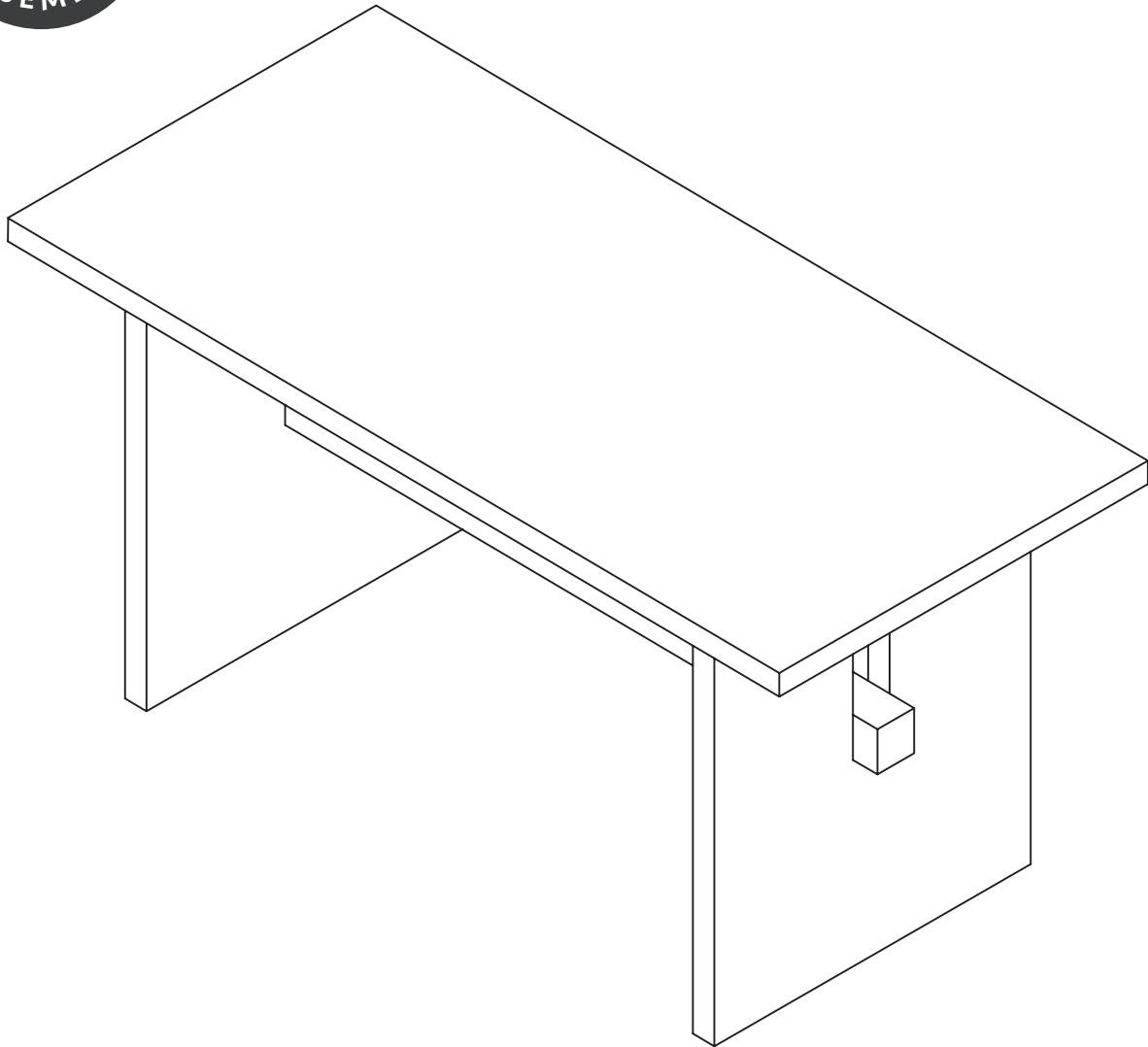


Let's build the

Briggs Dining Table

SKU 41601



Scan me!

Free Lifetime
Warranty

nathan james

24-0604

Ok, let's get rolling

This should be easy, just follow our instructions and you will be back to Netflix in no time.

Estimated time for assembly



30:00

What you need

- Use the packaging carton as a working surface to prevent product damage during assembly
- Phillips head screwdriver

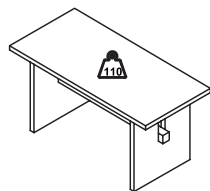
Do not use a drill



Weight Limitation



110
lbs



Toll-free at 1-866-619-1004
Help@nathanjames.com
Nathanjames.com/help

What's included

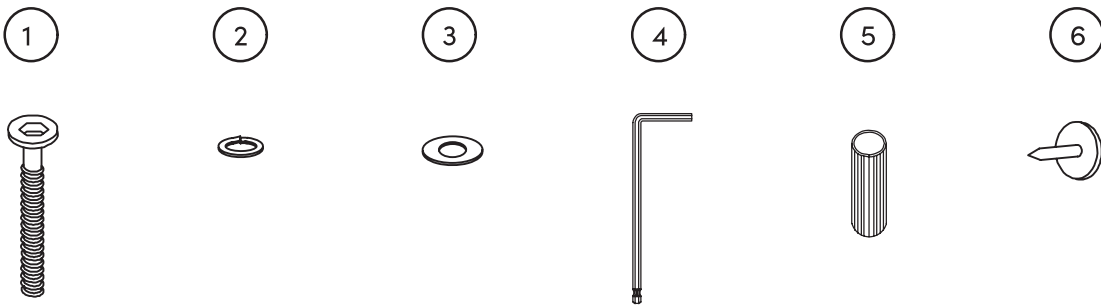
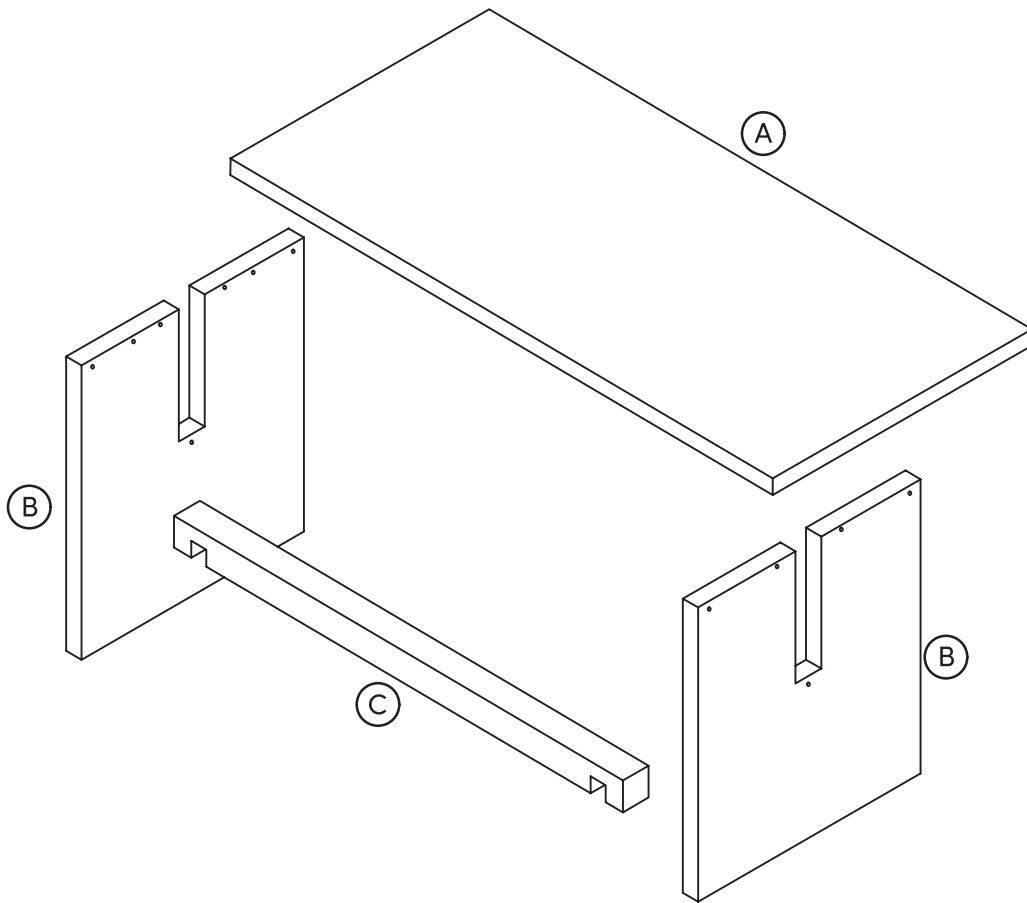
Description	Qty
A Table Top	1
B Table Leg	2
C Stretcher	1
1 5/16" x 80mm Hex Button Head Bolt	10
2 5/16" x 13mm Spring Washer	10
3 5/16" x 19mm Flat Washer	10
4 Allen Key	1
5 10 x 40mm Wooden Dowel	4
6 Plastic Nail for Feet (Extra)	4

Scan me!

Free Lifetime
Warranty



The goods



IMPORTANT

1. Do not tighten bolts / screws completely until all bolts / screws are lined up and inserted into holes.
2. Do not over tighten screws and bolts to avoid stripping.
3. Please use hand tools to assemble this product. Do not use power tools.

Step 1

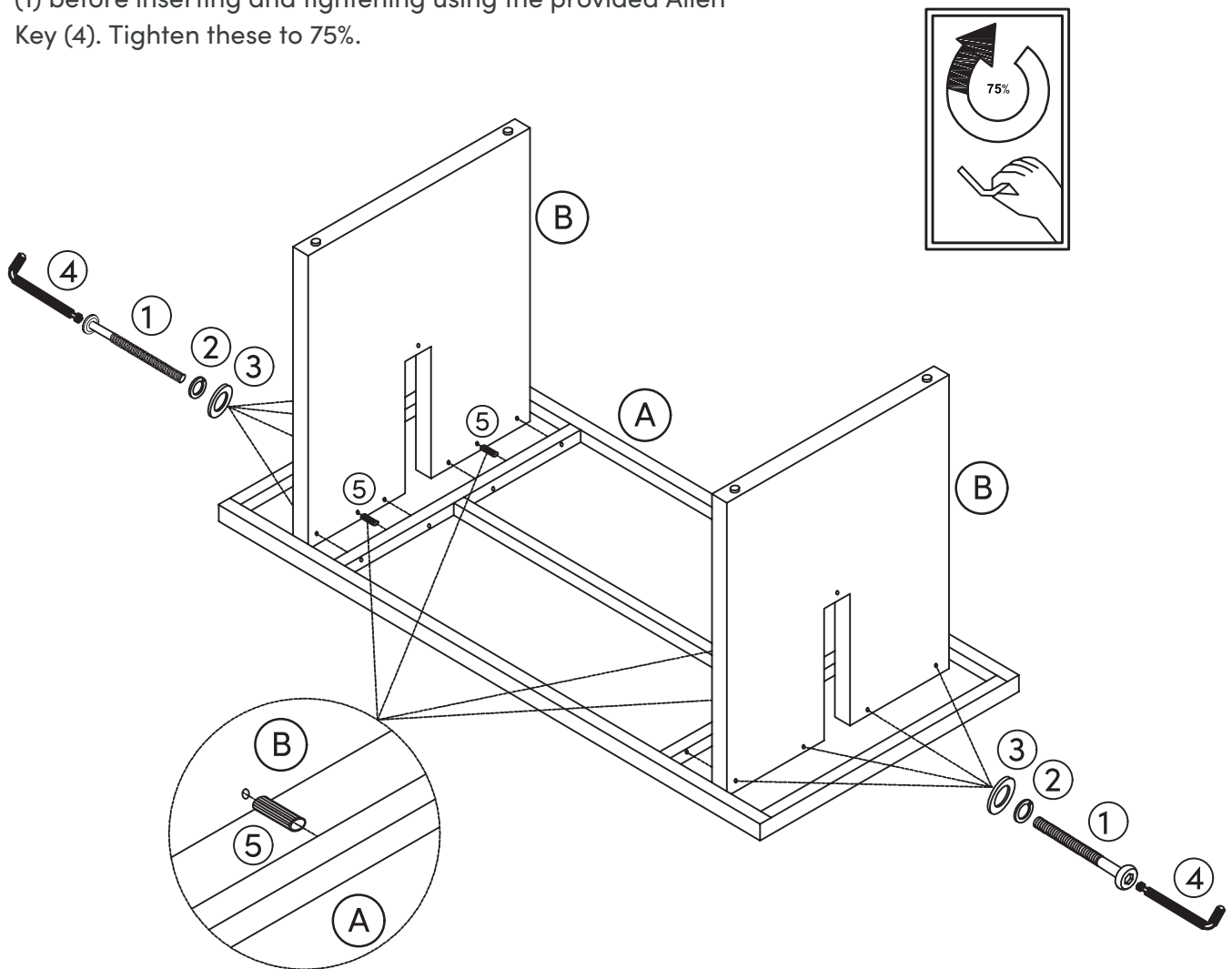


Alright, let's get started!

First, insert the Wooden Dowels (5) into the Table Top (A) by following the diagram below.

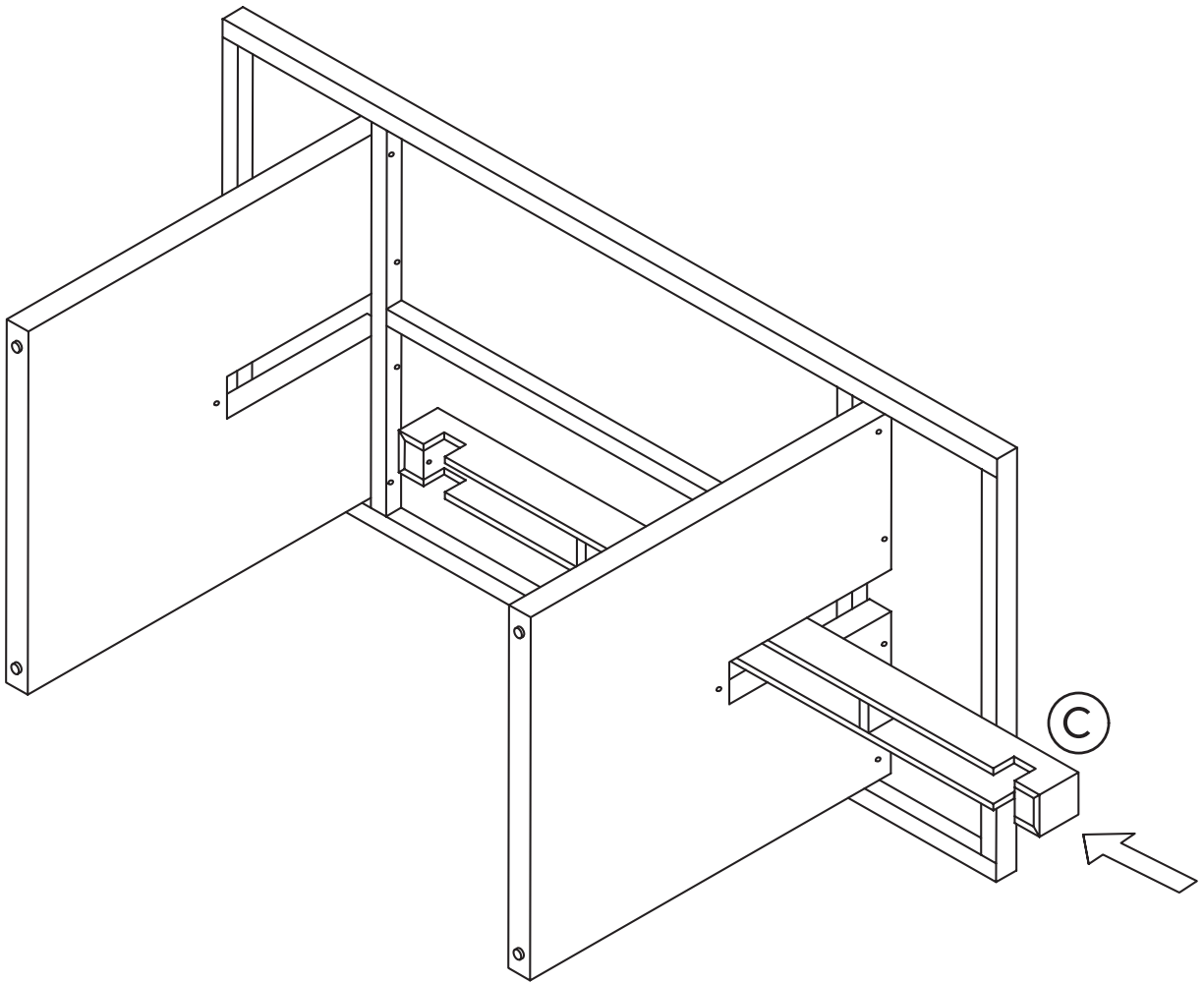
Next, line up those inserted Wooden Dowels (5) with the Table Legs (B) and push together.

Finally, secure the Table Legs (B) to the Table Top (A) using the 5/16" x 80mm Hex Button Head Bolts (1). Don't forget to put the Spring Washers (2) and Flat Washers (3) on your Bolts (1) before inserting and tightening using the provided Allen Key (4). Tighten these to 75%.



Step 2

Next, slide the Stretcher (C) into place.
Align the notches in the Stretcher with
the Table Legs.



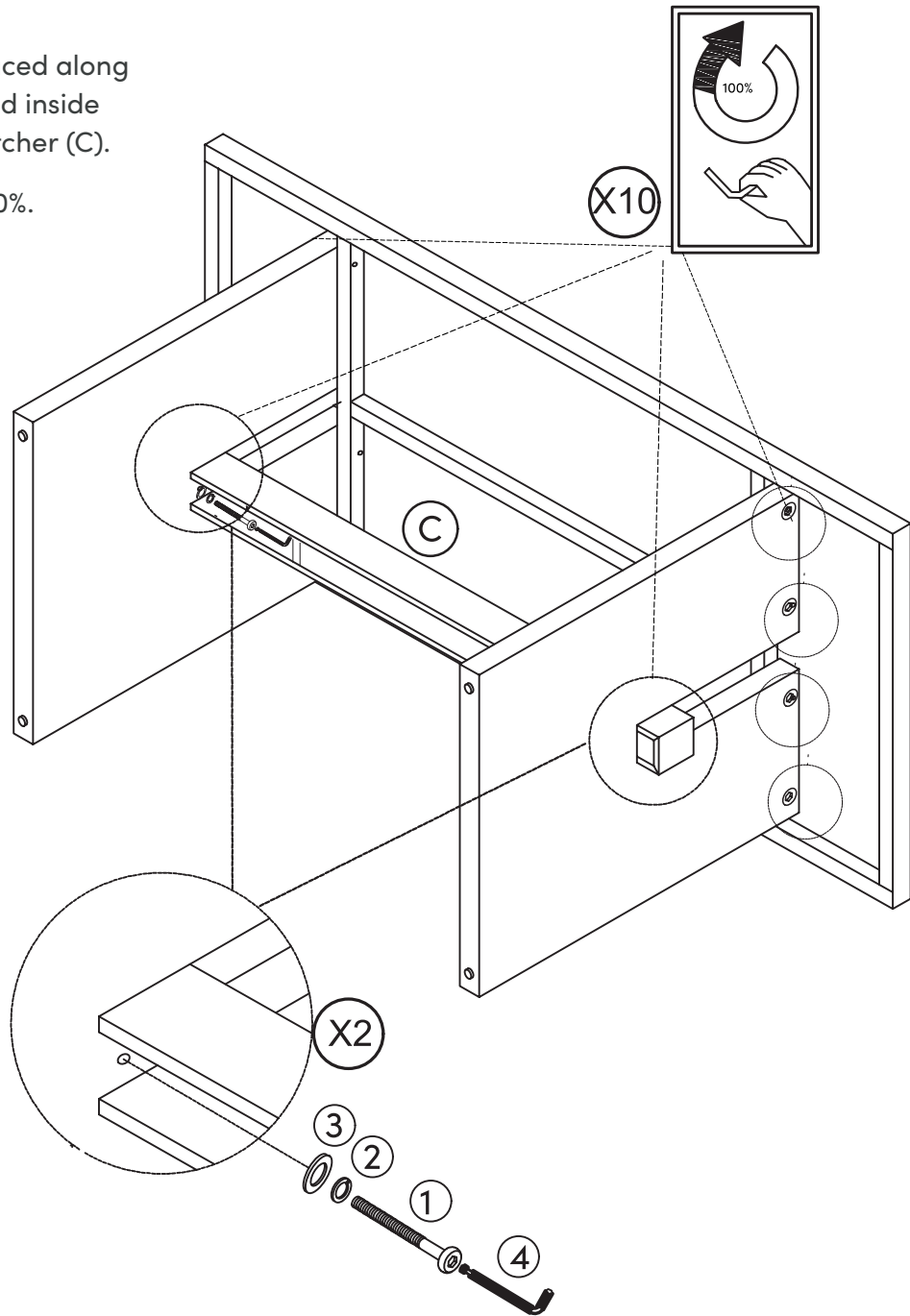
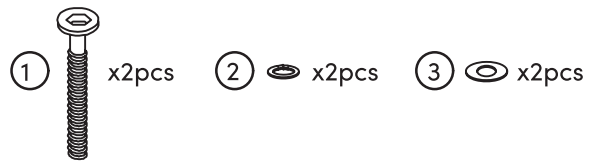
Step 3

You're almost done! Not gonna lie, we're very impressed with your assembly skills.

Now we'll finish securing the Table Top to the Legs, and the Stretcher (C) to the Legs using the 5/16" x 80mm Hex Button Head Bolts (1). Again, don't forget the washers!

Bolts (1) should be placed along the top of the Legs and inside either end of the Stretcher (C).

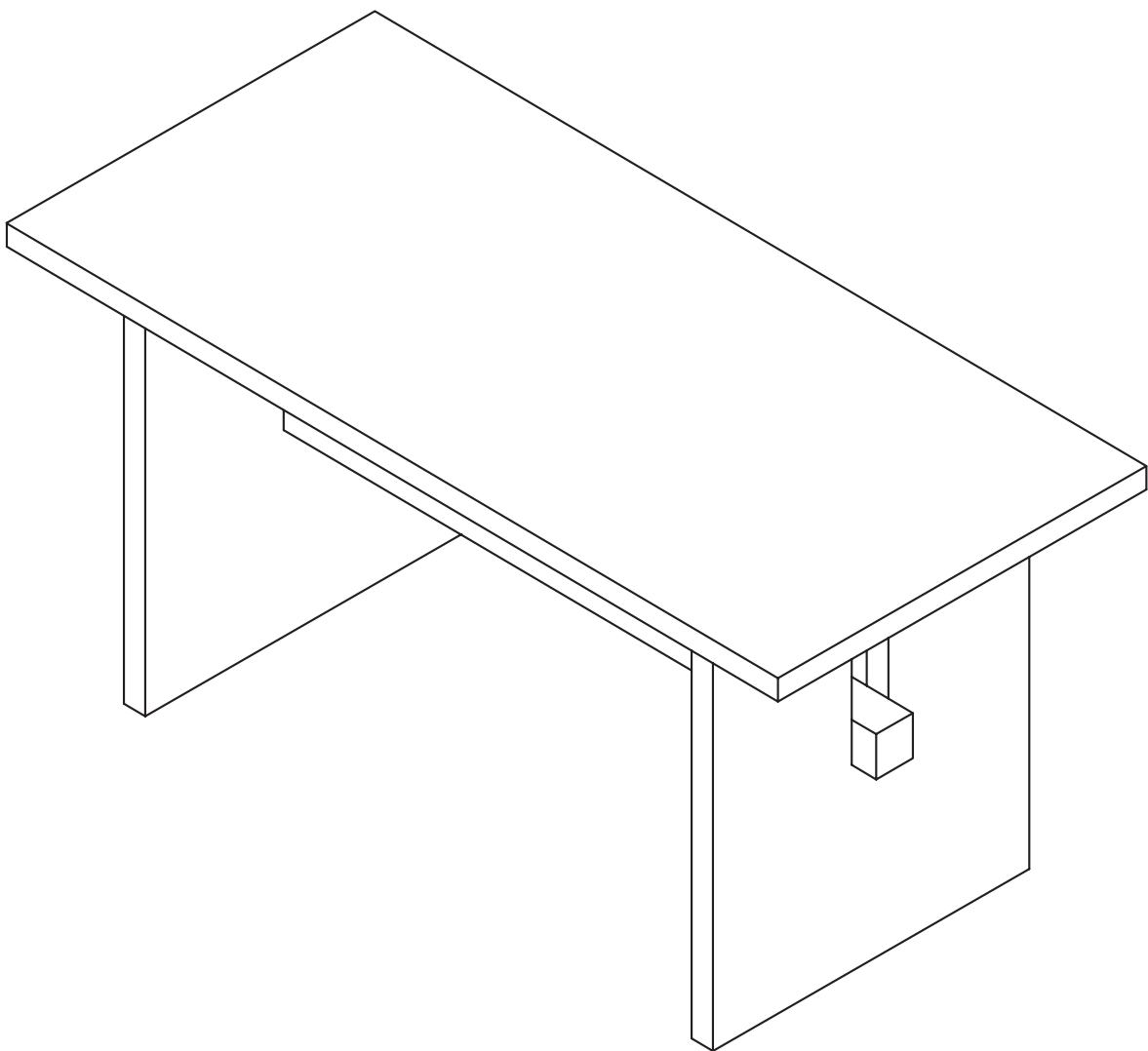
Tighten all bolts to 100%.



Step 4

We decided to make this last step easy on you. Just grab a friend and flip the table over so it's upright. And tada, you're done!

Time to order a celebratory pizza to enjoy on your new dining table.



No heartburn, when we handle the return

Give us a call **1-866-619-1004** or shoot us a message at **help@nathanjames.com** we will issue you a free replacement with **zero hassle**.

Our way



Give us a call



Replacement



You

Their way



Re-package item



Schedule pick up



Track package



Replacement



You

We really don't want you to go through the hassle of re-packaging your item and sending it back, because let's be honest...nobody has time for that.

Safety first, fun later

We want your product to last as long as possible, so we recommend that you tighten the screws 2 weeks after assembly and for added safety check the tightness of all screws every 2 months.

For proper care and treatment, please check our website at NathanJames.com/products

Safe use of this product starts with you.

Use this product responsibly with the primary concern for your safety. Follow assembly instructions carefully and inspect product upon receipt and each use.

Nathan James and its parent companies cannot be held legally responsible for any injuries or death resulted from failure to follow instructions or improper use of this product.

Do not modify the structure of this product in any way.

Our products have been tested to meet specific safety measures as they were originally intended to be sold. Any modifications will present the risk of creating significant safety issues which NJ will not be responsible for.

Proper use

- DO NOT** use for commercial purposes
- DO NOT** frolic on dining table
- DO NOT** use dining table as foot stool
- DO NOT** leave spilled liquid on table top
- DO NOT** use dining table if damaged
- DO NOT** make temporary repairs
- DO NOT** use outdoors

We are only in business if you're happy

For starters, thanks for being you.

☎ Toll-free at 1-866-619-1004

✉ Help@nathanjames.com

🌐 NathanJames.com/help

We do our best to ensure your furniture arrives without any problems, but occasionally mistakes happen—as humans we are imperfect beings. In the event that a part is damaged or missing, we will be more than happy to provide you with replacement part(s) for free.

Warranty

This product comes with a lifetime warranty from the date of purchase. Please use your phone to scan the QR code to register your product or visit <https://goo.gl/i9dk3q>



Did we do alright? Please spread the love!

If you are happy with your product, tell your friends and family about us or even better leave us a review online. Spreading the word gives us the opportunity to make more people happy and keep our prices low for your next purchase.

Brooklyn Burden

Founder, Nathan James