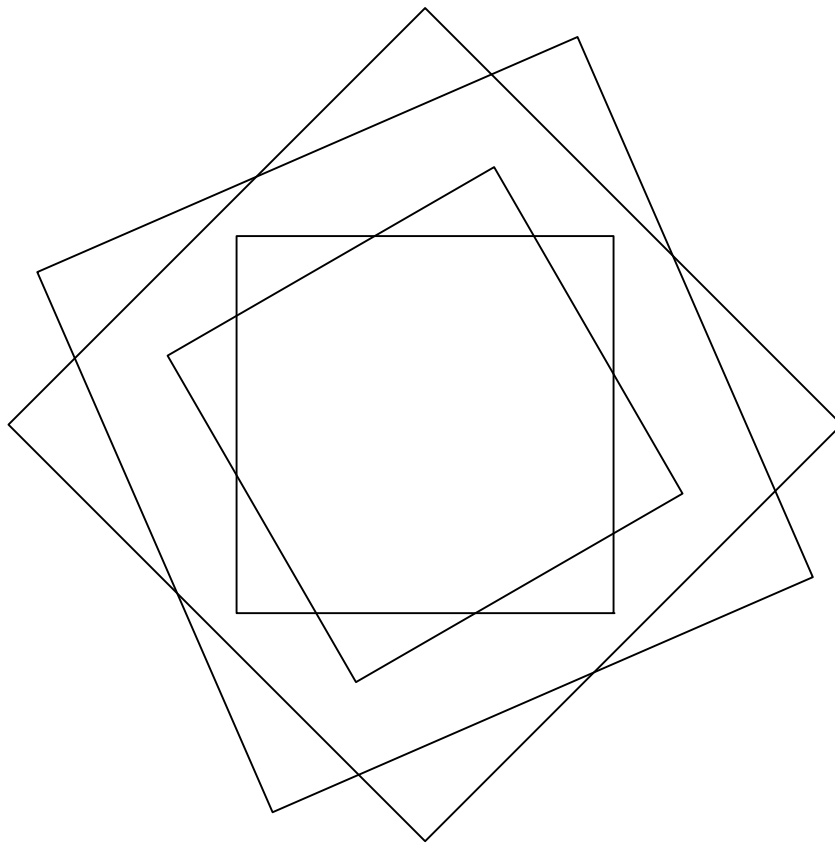


INSTALLATION MANUAL



We encourage you to take a few minutes to go through this booklet. It contains important information on installation and care tips to keep your furniture looking as good as new.

NOTICES

For your SAFETY, please read this manual before using the product. Thanks.

After read the below installation instructions, if you still can not install the cabinets probably,pls contact our customer service at anytime

Index

I.	Precautions before installation and sequence of unpacking	004
II.	How to remove protective wood panel if have	005
III.	How to install wall-hung cabinets	006
IV.	How to install floor-stand cabinets	007
V.	How to adjust door panels	008
VI.	How to remove drawers	009
VII.	How to install drawers	010
VIII.	How to install cabinets' handles	011
IX.	How to install cabinets' metal legs	012
X.	How to install stone top & under-mount sink	013
XI.	How to install a single-hole bathroom faucet	014
XII.	How to install an 8" widespread bathroom faucet	015
XIII.	How to install pop-up drain	016
XIV.	How to adjust movable wooden panles	017
XV.	Special instruction	018
XVI.	Special instruction	019
XVII.	Special instruction	020
XVIII.	How to install wall-hung basins	021

INSTRUCTION MANUAL

Maintenance instruction:

Doors:

- 1.Clean with pure cotton cloth, and use a brush to clean the curve seam. The plywood board should be cleaned with furniture wax.
- 2.Open the door and drawer of the bathroom cabinet with proper force. Do not open and close rapidly.

Main Cabinet:

- 1.Keep the cabinet door open for 15 to 20 days before use and ventilate properly to remove residual odor.
- 2.Do not use sharp objects to scrape and knock the surface of the cabinet. Avoid long-term direct sunshine to the bathroom cabinet to avoid partial color difference.
- 3.Avoid direct water sprinkling on cabinet body.Keep dry,reasonable dry and wet partition to avoid paint surface damage and cabinet body expansion.

Vanity Top:

- 1.The stone top does not absorb water, dirt, and has not radiated. It will be bright and clean with just a little cleaning.
- 2.Ceramic top is usually cleaned and maintained with neutral detergent or toothpaste. The 2000# water sandpaper can be softened in the water and water mill partially if scratches or fouling occur. After finishing, drying the surface with a dry cloth, coating it with wax, and polishing it with silk fabrics, the surface will be bright as clean.
- 3.Ceramic basins can be cleaned with water and detergent, such as detergent, soap water, and so on. Ceramic basin surface should always be kept clean Dust and gravel should be removed in time to prevent abrasion. When there are slight scratches on the surface of the ceramic basin, a little toothpaste can be applied to the scratches. The scratches can be wiped repeatedly with a soft dry cloth, and then waxed to make the surface as bright as new.

Inlet & Drainage:

- 1 . Keep the sewer unobstructed and prevent blockage. Call a professional plumbing company to clear.
- 2 . The joint-line of the basin and vanity top should be kept dry Wipe with a cloth if there is a water stain.
- 3 . Pay attention to the expiration date of hoses, sealing materials, and other materials, and replace them in time.
- 4 . Check frequently whether there is leakage in the taps and basins. When running, leaking, dripping and leaking occur, it should be repaired and handled in time.


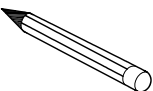
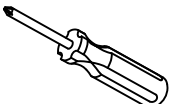
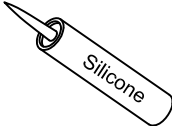
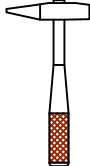
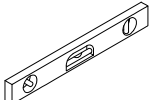

Hardware:

- 1.Avoid direct spraying of strong acid and alkaline solution on hardware.Wipe it immediately when it happens.
- 2.Keep the hinge opening and closing freely and clean. Keep the sliding rails of drawer freely and clean.

Attention:

- 1.Check the surface of the products and the accessories before installation. This product should be installed by professionals to prevent brutal construction.
- 2.Confirm whether the inlet and drainage outlet is appropriate and interference.
- 3.Keep the air circulation in bathroom, try to keep the space dry and wet separately and avoid water sprinkling. If there are water droplets, wipe them with cloth in time.
- 4.Prevent screwdrivers and other metal objects from scratching the surface of the plate when installing.
- 5.Use neutral detergent and dry them with soft cotton cloth when cleaning the cabinet.
- 6.The wall of bathroom cabinet must be load-bearing wall.

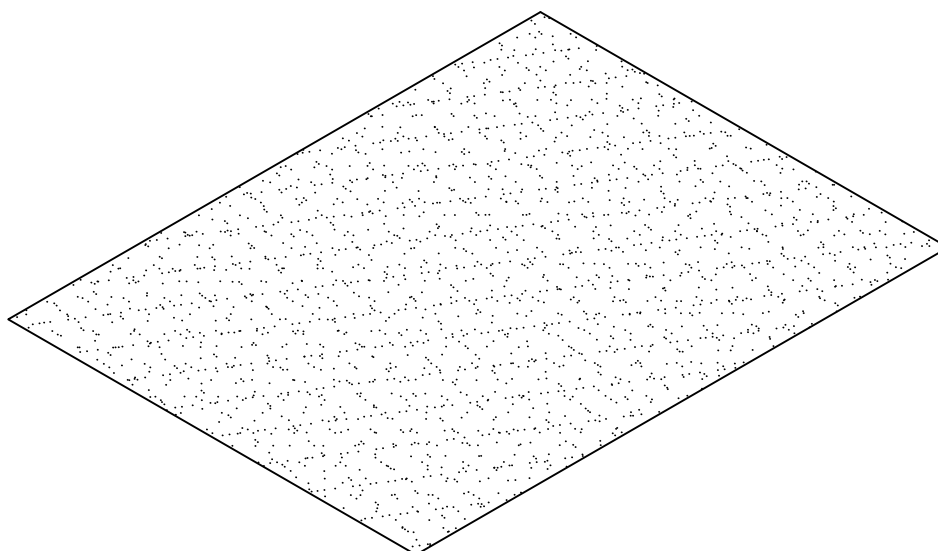
Installation tools that may need :

						
Electric Drill	Pencil	Screwdriver	Silicone	Hammer	Spirit level	Steel tape

Precautions before installation and sequence of unpacking

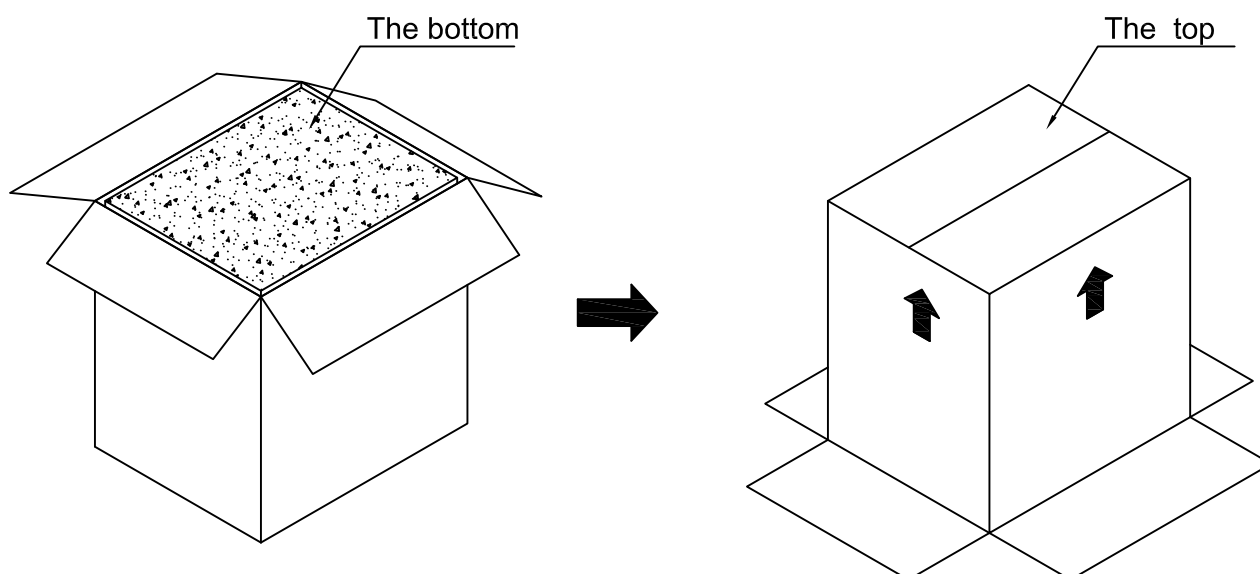
1

Please put a carpet on the floor before installing the wooden cabinet to prevent the wooden cabinet from scratching.



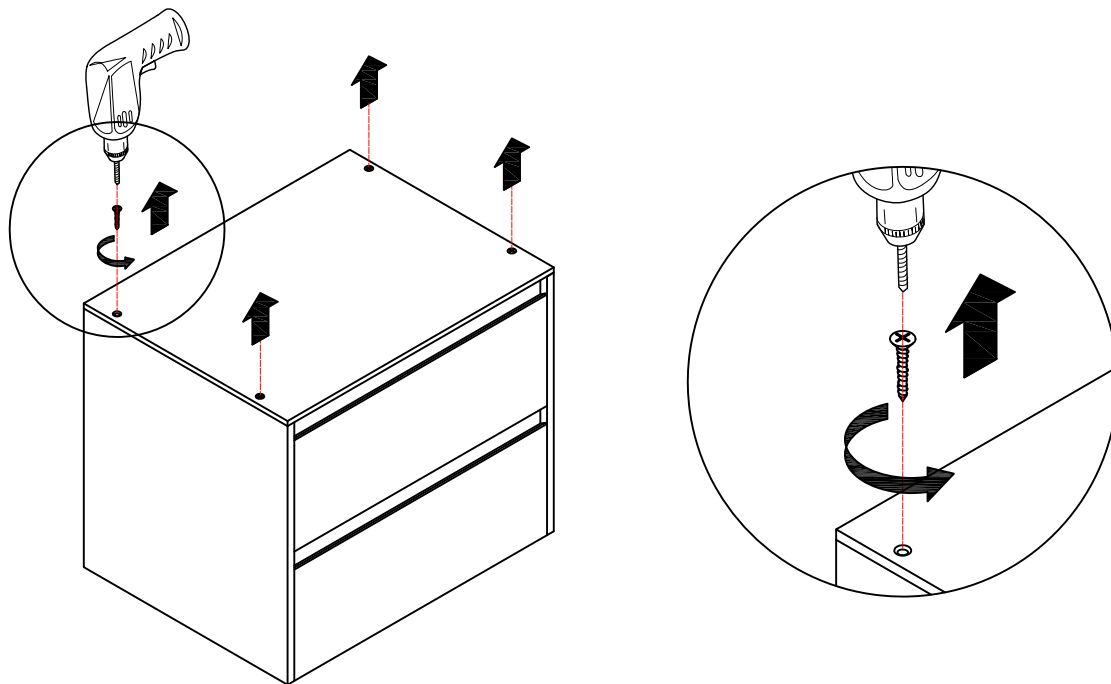
2

Open the bottom and then turn the cabinet upside down to pull out the carton.

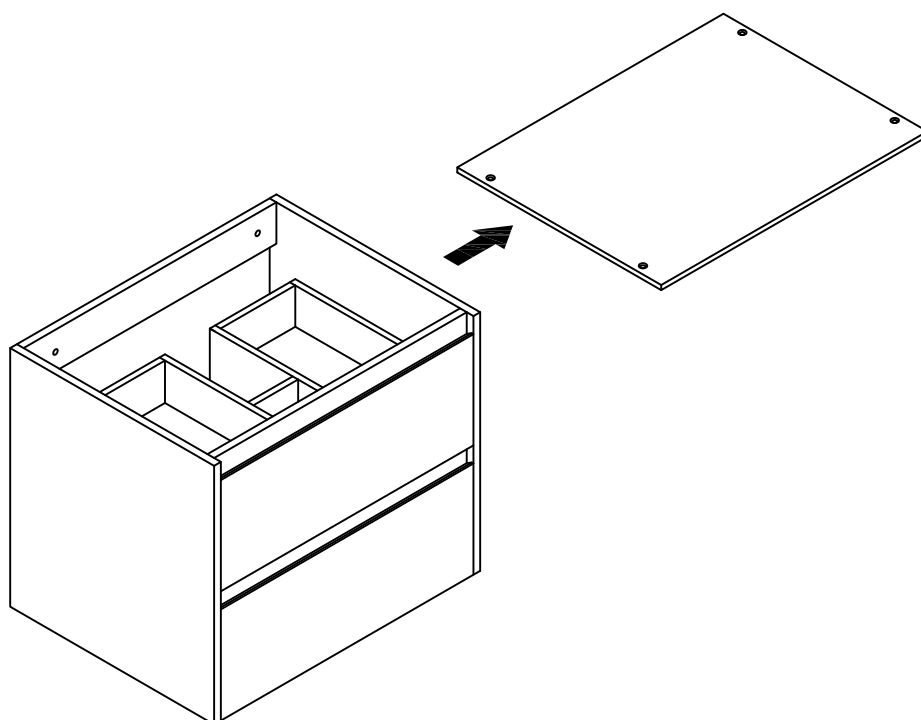


How to remove protective wood panel if have

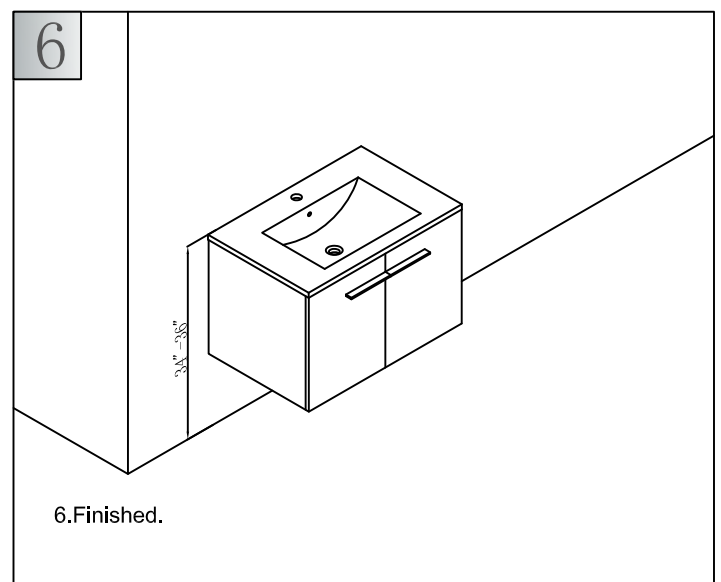
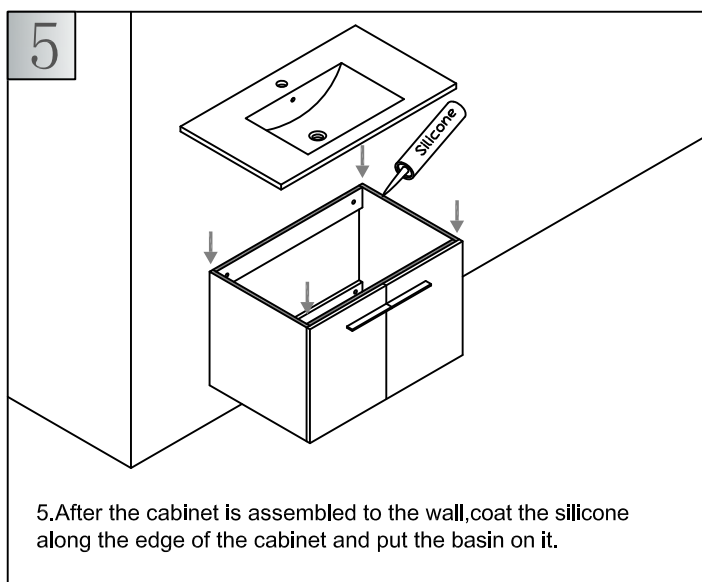
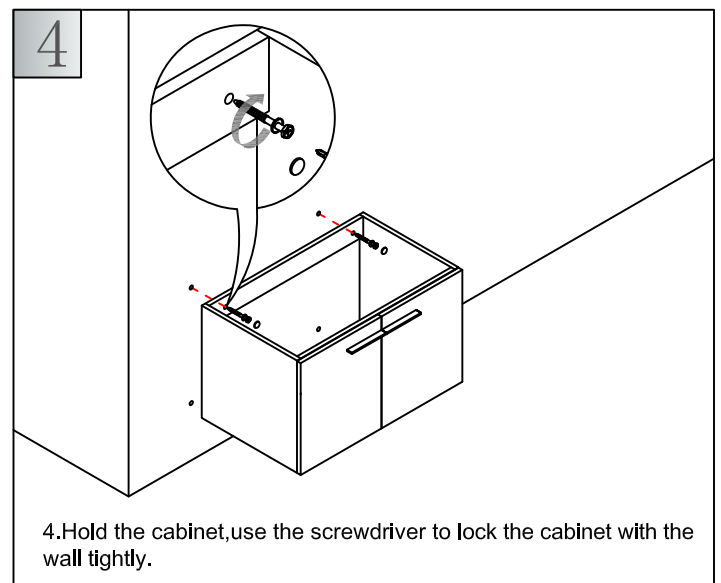
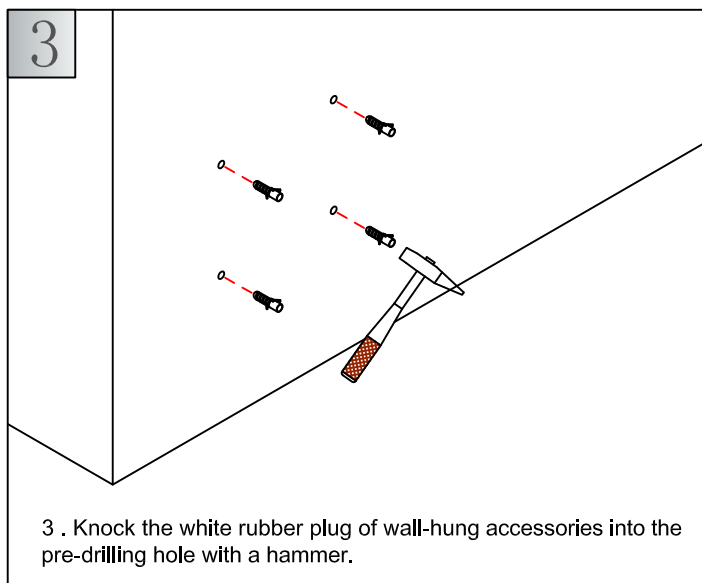
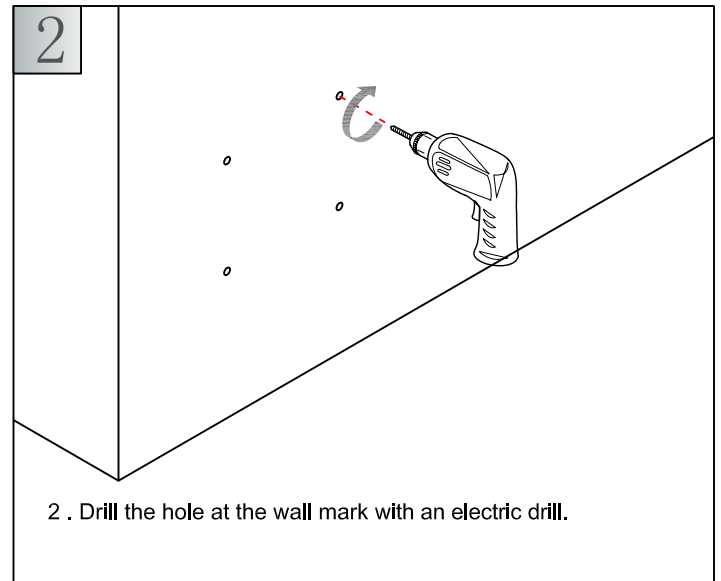
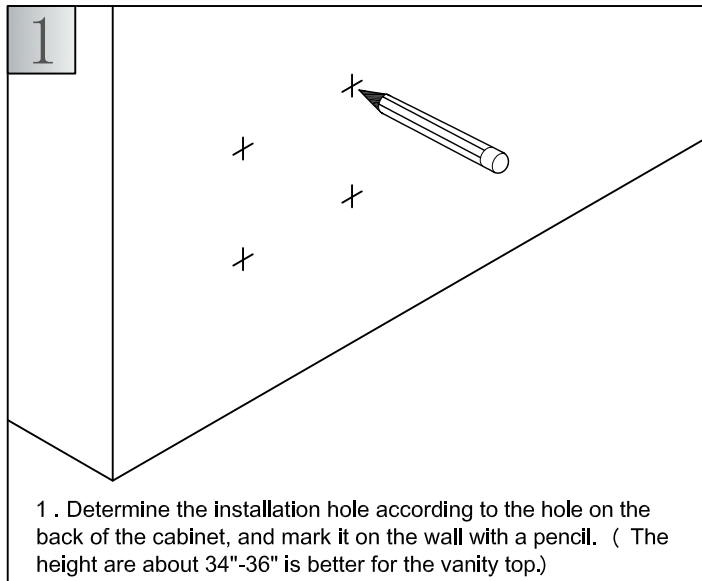
1 Loosen the screws on the wooden panel as shown.



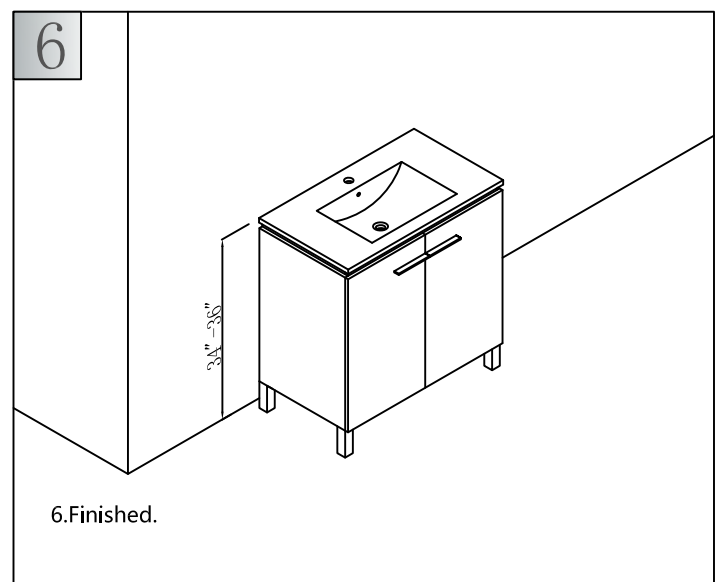
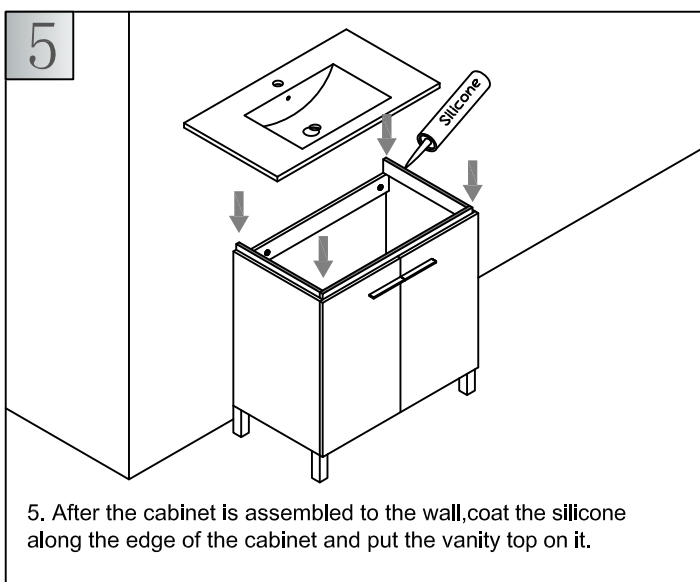
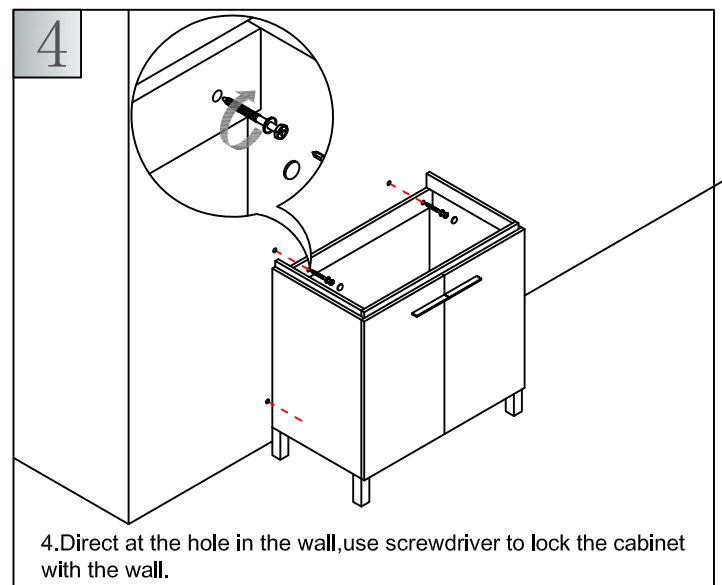
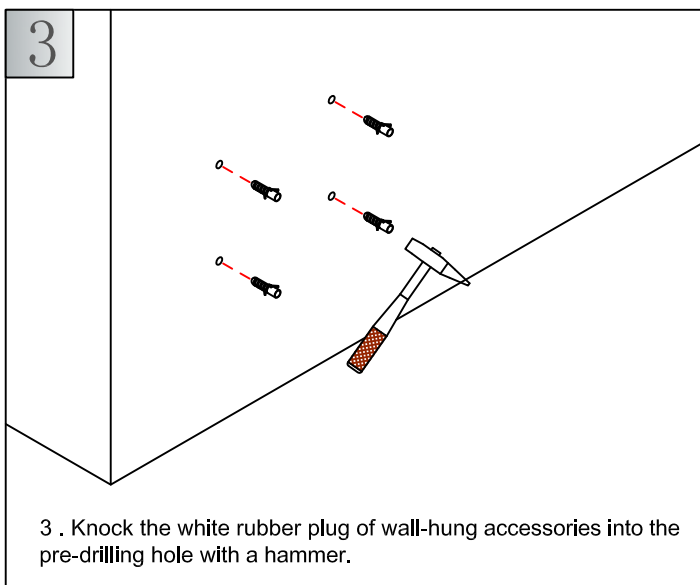
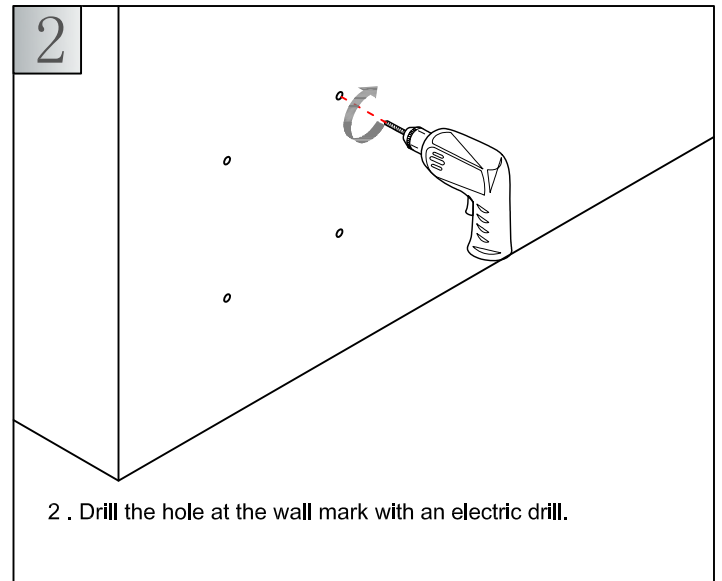
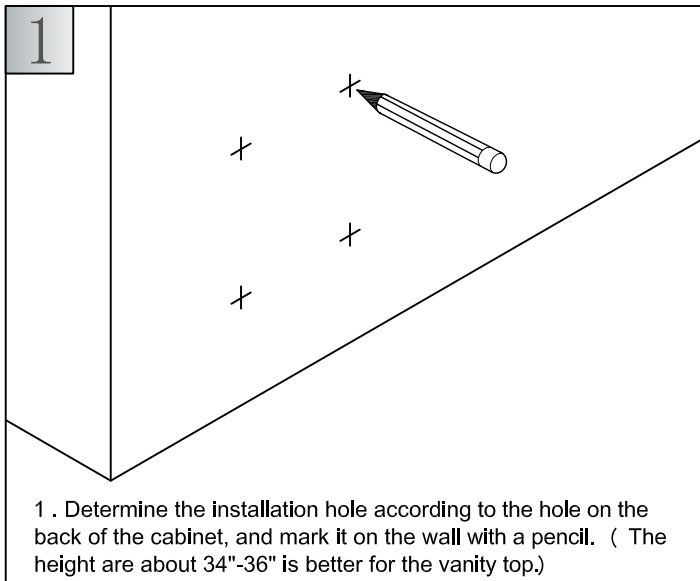
2 Remove the wooden panel.



How to install wall-hung cabinets



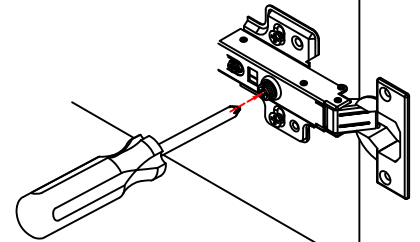
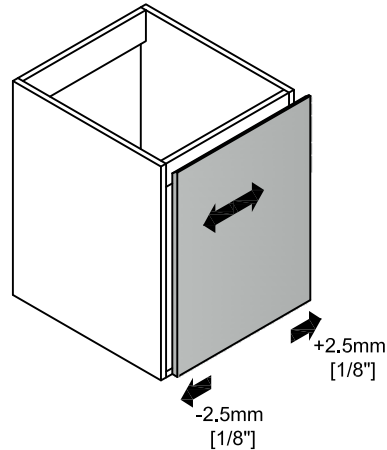
How to install floor-stand cabinets



How to adjust door panels

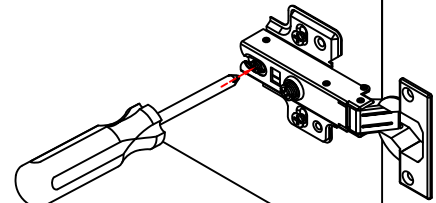
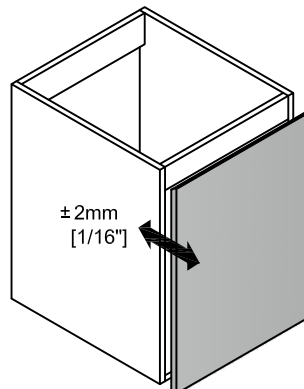
Coverage Distance

Rotate screw to the right: Coverage distance decrease (-)
Rotate screw to the left: Coverage distance increase (+)



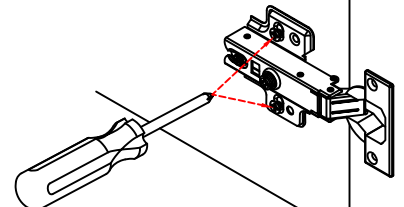
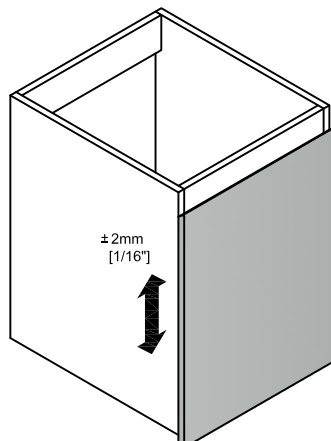
Depth Distance

Release the screw, adjust the distance between the door & vanity and tighten the fastening screw.



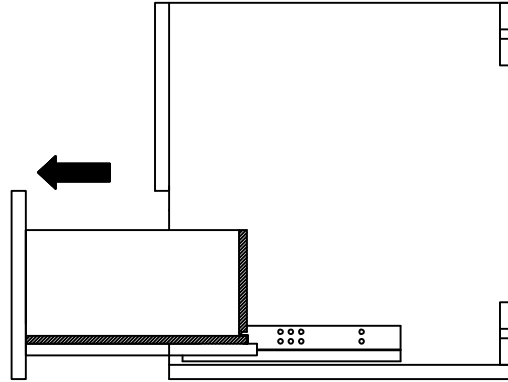
Height Distance

Release the base screws, adjust the height of the door, and then tighten the screws.

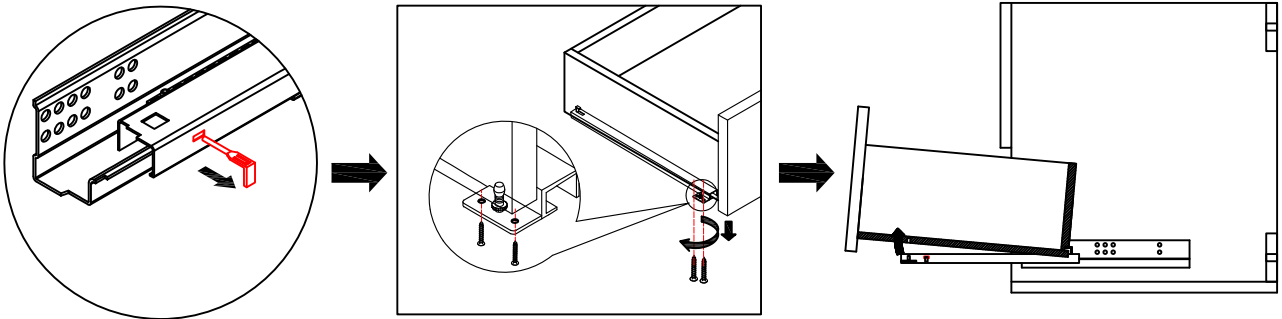


How to remove drawers

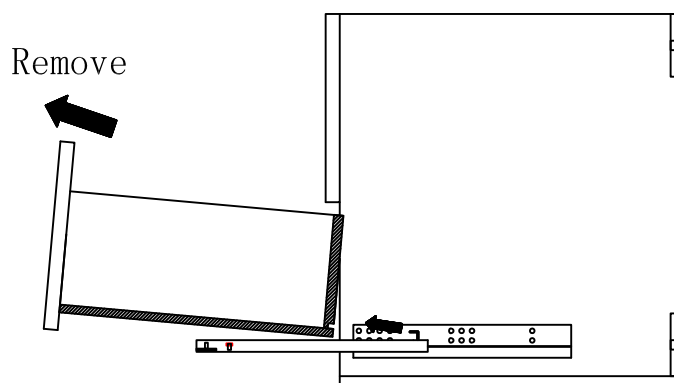
1 Full pull out the drawer.



2 Pull out the plastic latch at the bottom of the guide rail and loosen the power screws at the bottom of the guide rail.

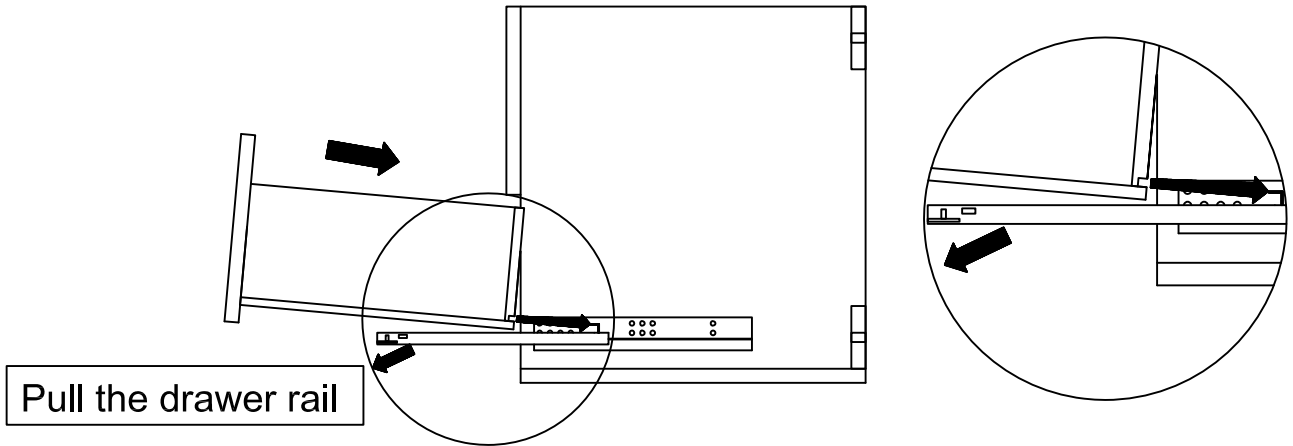


3 Finally pull out the drawer.

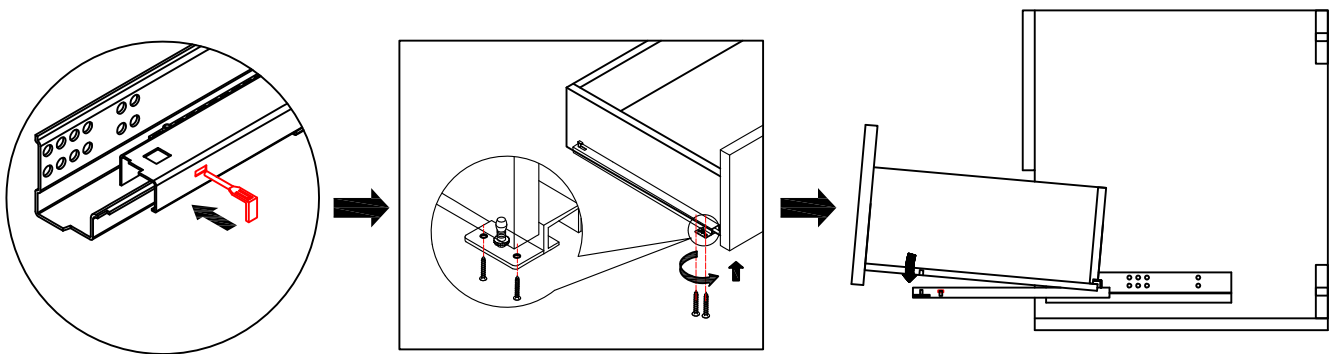


How to install drawers

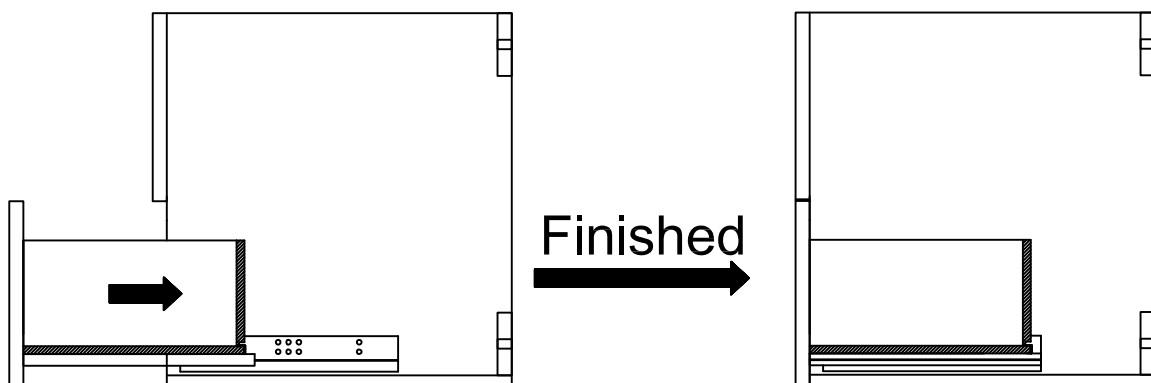
- 1 Pull the drawer rail, rail socket holes at the back of the drawer.



- 2 Insert the plastic bolt into the drawer to measure the hole as shown, and then lock the self-working screws.



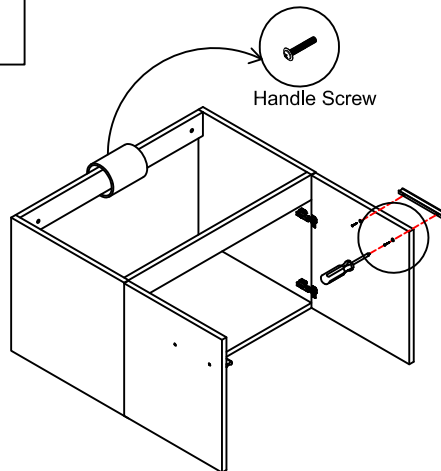
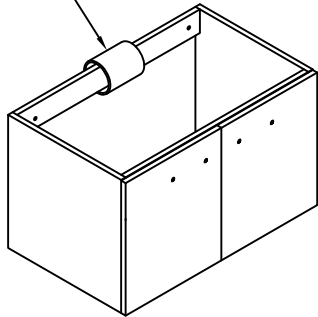
- 3 Push the drawer.



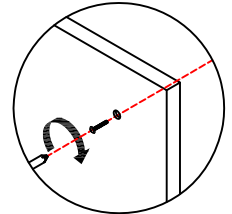
How to install cabinets' handles

1 The handle is installed reversely inside of the cabinet

Accessory Bag



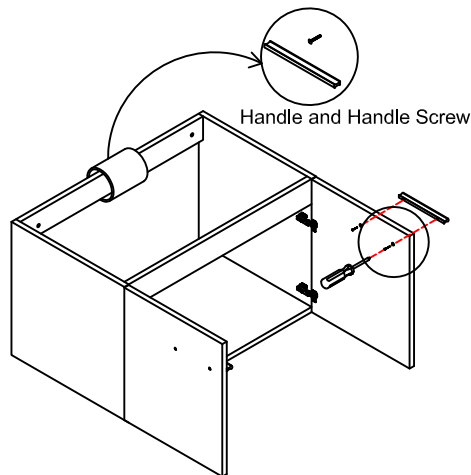
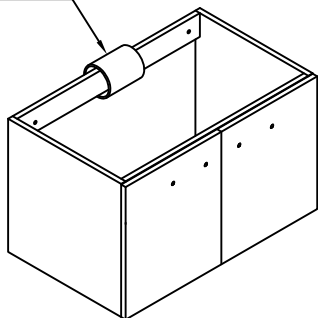
Handle Screw



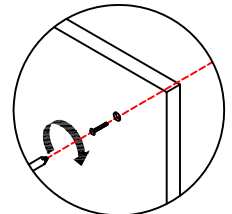
Open the cabinet door, release the handle and re-install the handle in front of the door. The handle screw should be replaced with the handle screw in the accessory bag (As above shown)

2 Handle packed in the accessory bag

Accessory Bag



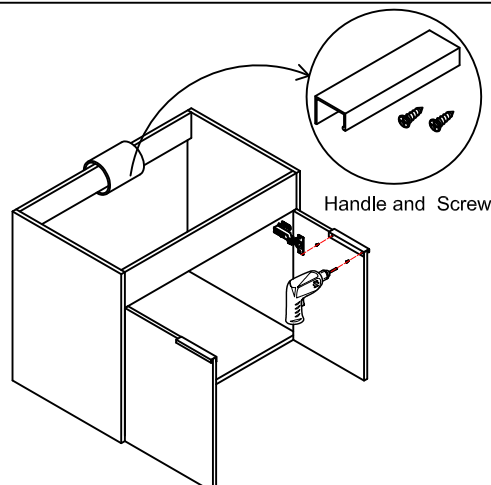
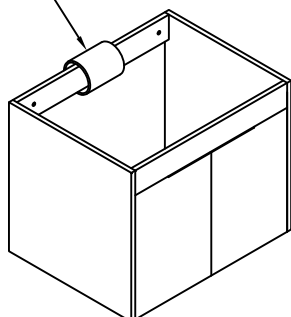
Handle and Handle Screw



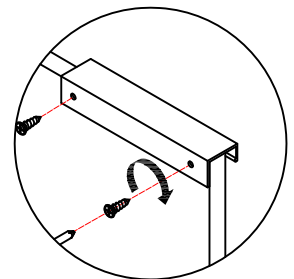
Release the accessory bag that is tied to the back top panel of the cabinet, take out the handles and handles screws, direct the handle screws to the handle screws hole in the door, install and then tighten with a screwdriver as shown above

3 Install handle with power screw

Accessory Bag

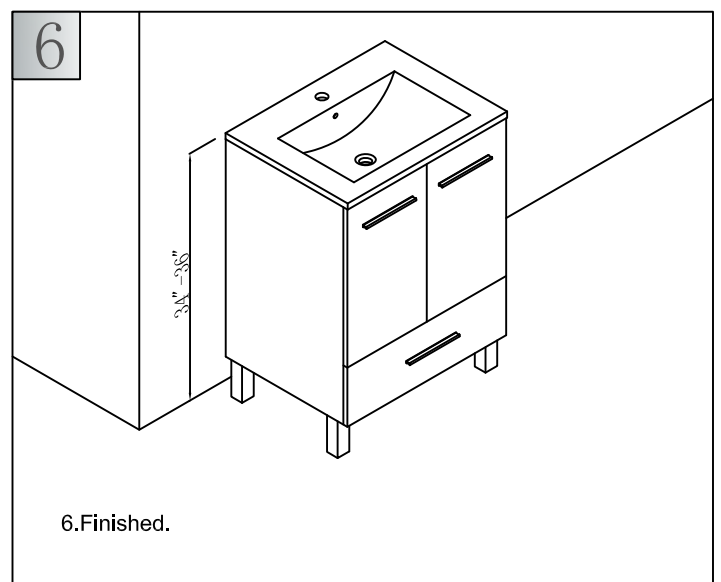
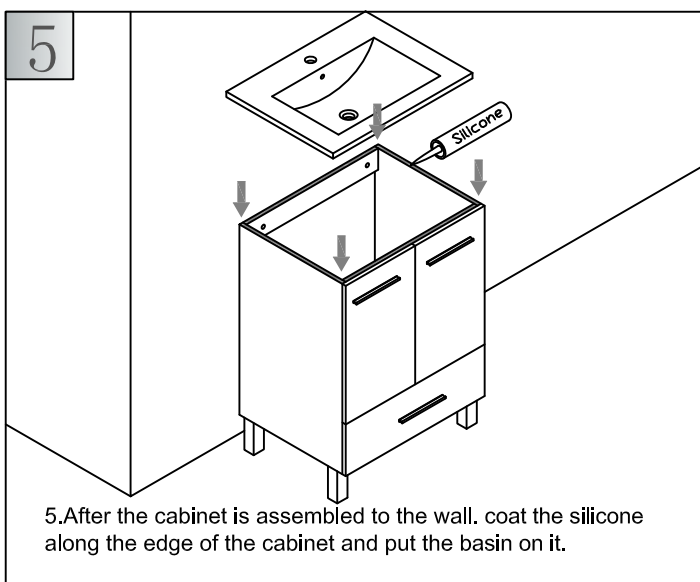
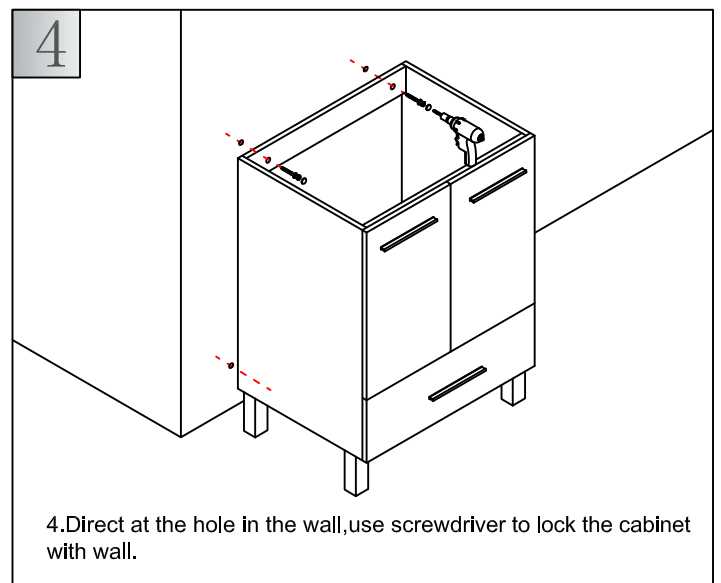
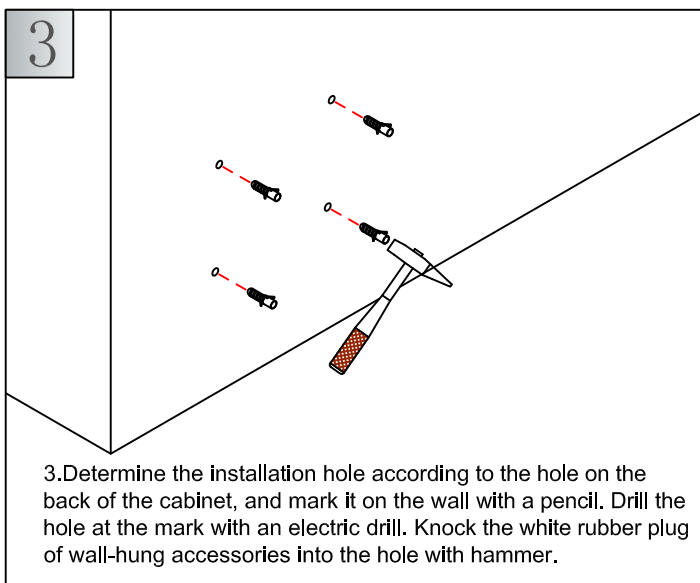
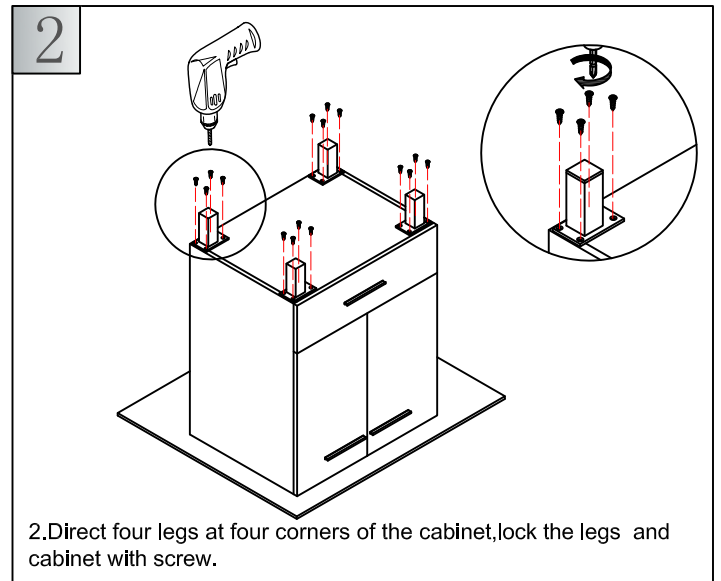
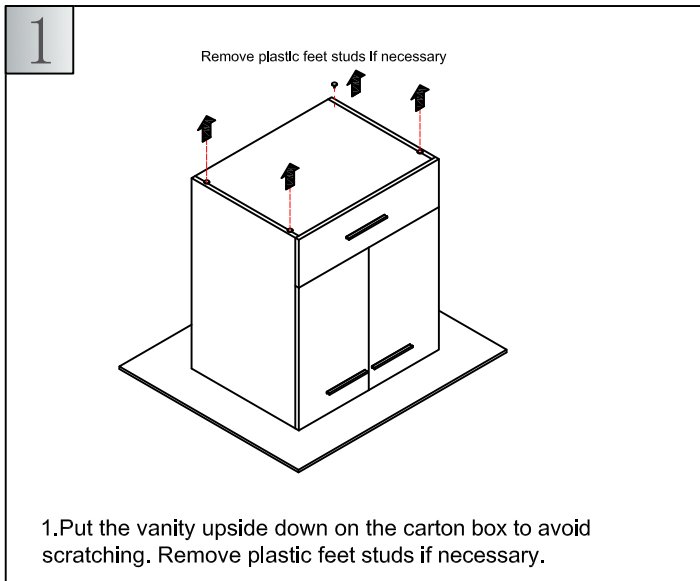


Handle and Screw

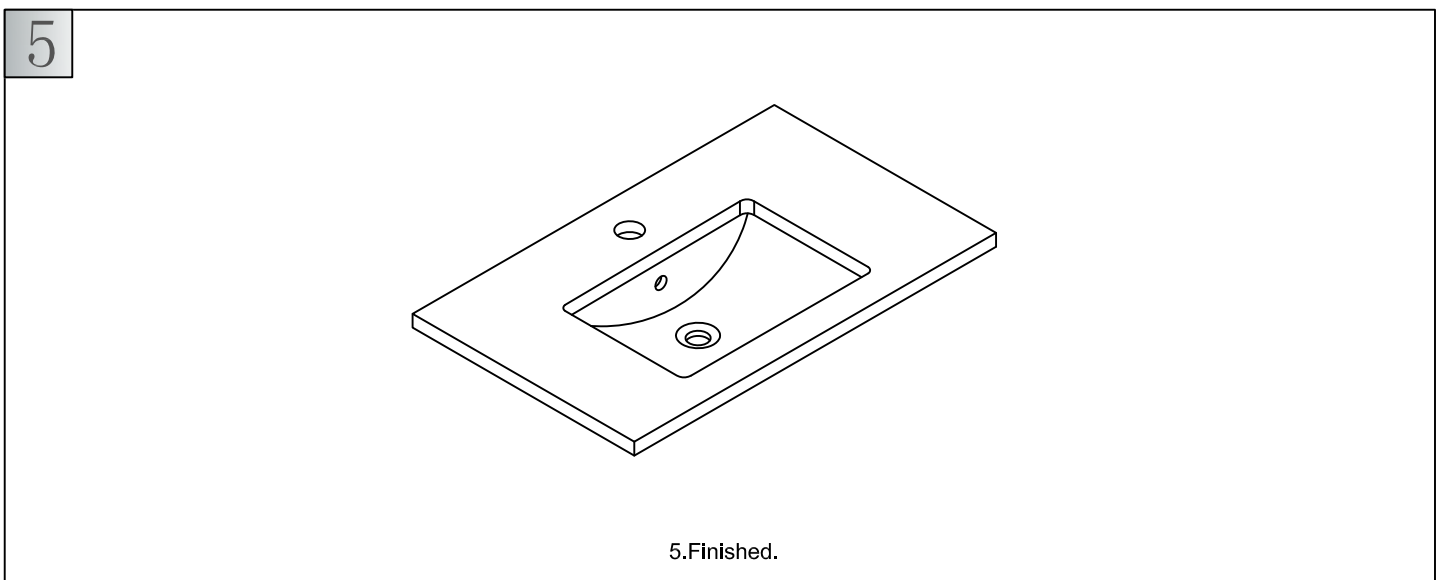
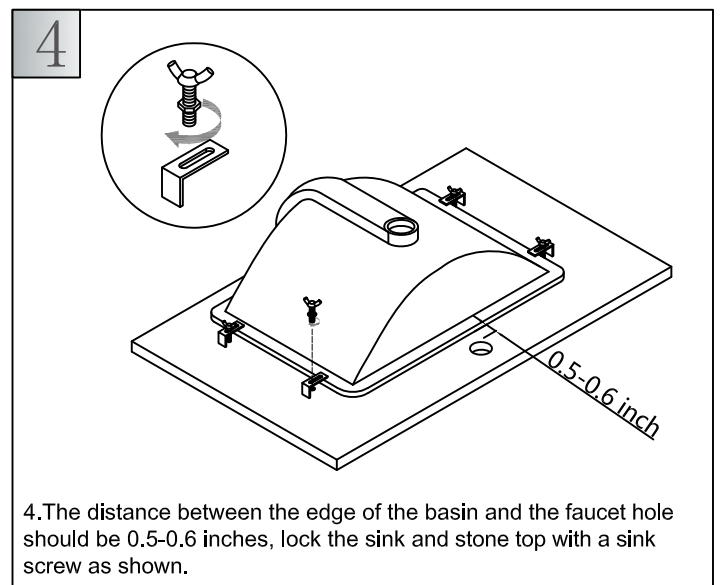
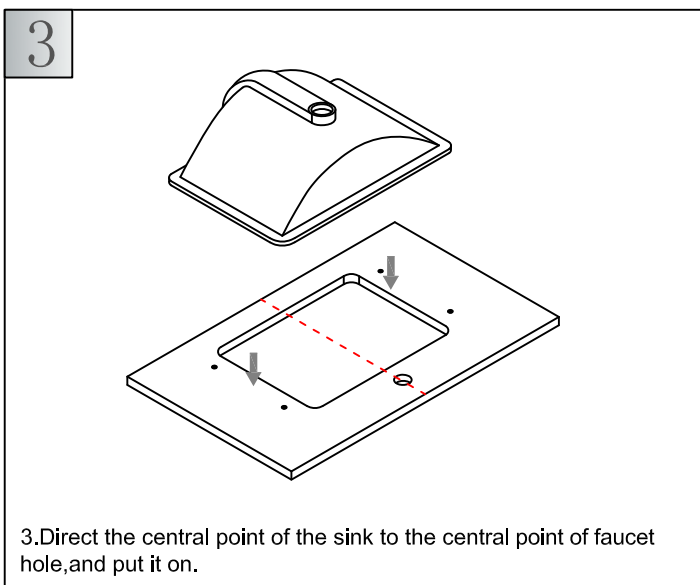
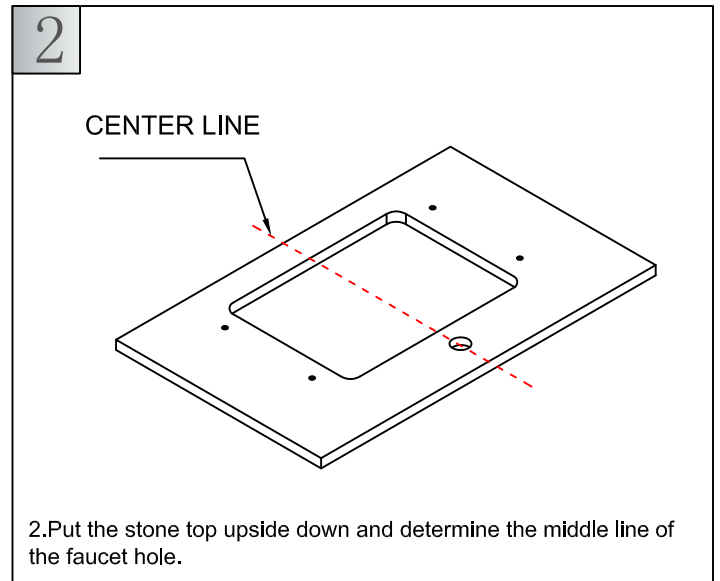
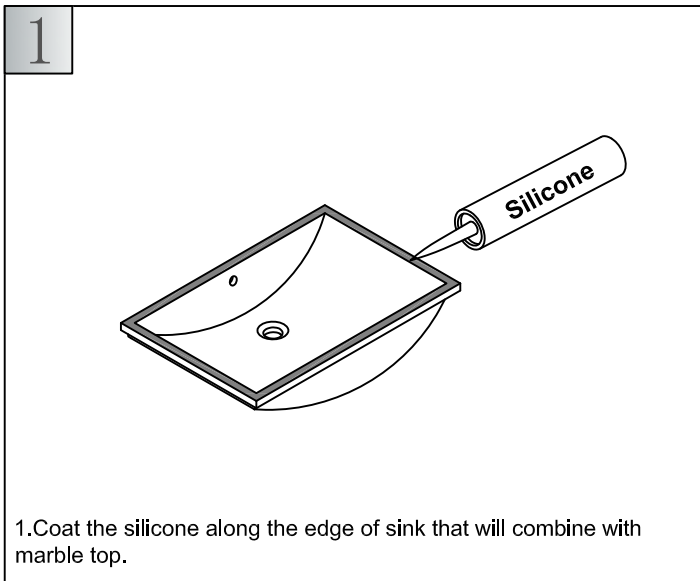


Release the fitting belt tied to the back of the cabinet, take out the handles and handles screws, and install the handles according to the drawing with a manual electric drill.



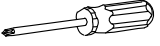
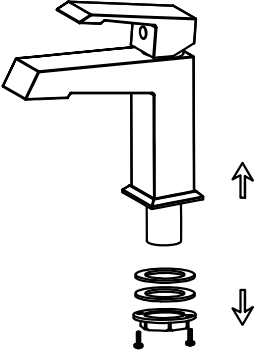
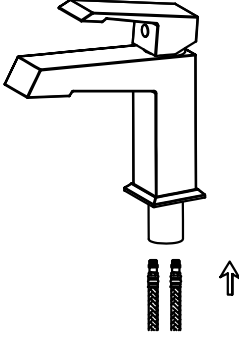
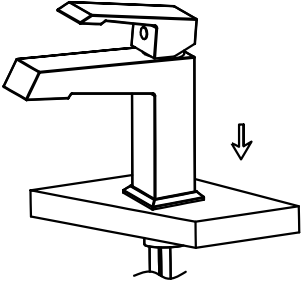
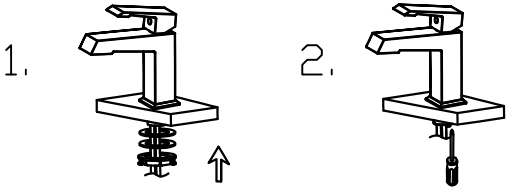
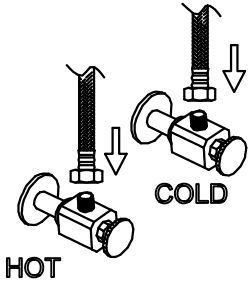
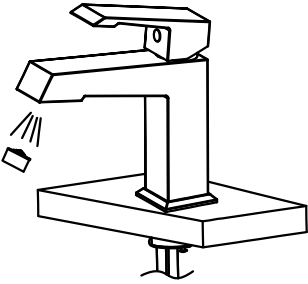
How to install cabinets' metal legs





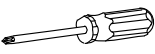
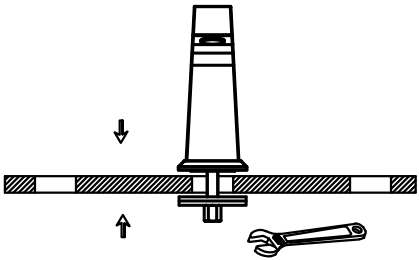
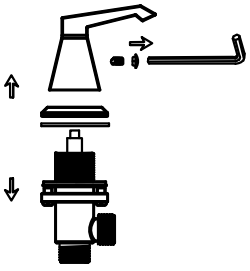
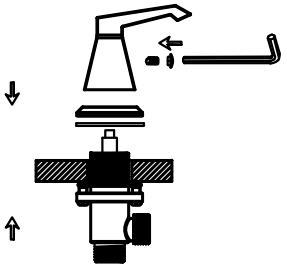
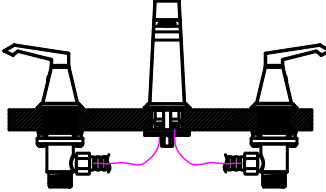
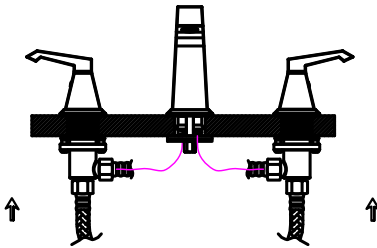
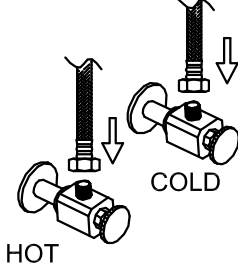
How to install stone top & under-mount sink



How to install a single-hole bathroom faucet

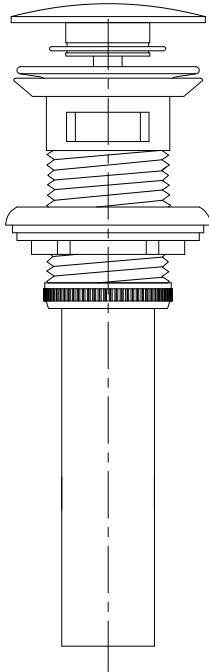
Installation tools that may need :	 adjustable wrench	 allen key	 philips screwdriver
 <p>1. Remove the rubber washer, metal washer and locking nut from the faucet.</p>	 <p>2. Screw and hand tighten the hot and cold flexible hoses to the faucet. DO NOT use a wrench to tighten hoses as this may damage the hose and/or the hose threads.</p>		
 <p>3. Install faucet through the hole.</p>	 <p>4. Re-install the rubber washer followed by the metal washer and lock-nut. Hand tighten then tighten further using a screwdriver to tighten lock-nut screws.</p>		
 <p>5. Attach flexible hose to water supply.</p>	 <p>6. Remove the aerator and turn on faucet for 1 minute to flush debris from faucet and feed lines. Turn faucet off and re-install aerator.</p>		

How to install an 8" widespread bathroom faucet

<p>Installation tools that may need :</p>	 adjustable wrench	 allen key	 philips screwdriver
 <p>1.Remove the T-valve,lock nut and washer from the spout body.Place spout in center hole of sink.Assemble washer and tighten the lock nut to it. Connect the T-valve to the spout body by wrench .</p>	 <p>2.Remove mounting hardware from handle body.Connect water supply tube to valve body and tighten with lock nut. Do not let the water supply brass tube twist.Use two wrenches,as shown in the diagram,tighten the flexible hose.</p>		
 <p>3.Place the spout in center hole of sink and handle body through right hole. (Left is red,right is blue).Assemble the rubber washer,washer and tighten with lock nut.</p>	 <p>4.Connect handle body and faucet body with flexible hoses tightly.</p>		
 <p>5.Screw and tighten the flexible hose to the faucet.Left is red,right is blue.Do not let the water supply brass tube twist.</p>	 <p>6.Attach flexible hose to water supply.</p>		

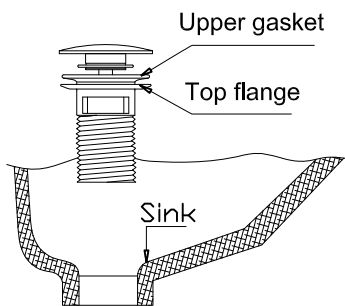
How to install pop-up drain

1

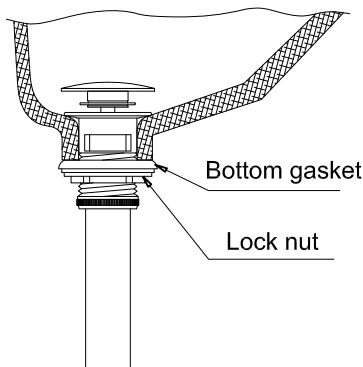


- * Clean the contact surface before installation.
- * This item is not supposed to be twisted with any wrench.
- * Do not use polishing powder or other detergent with powders to clean the pop-up drain

2



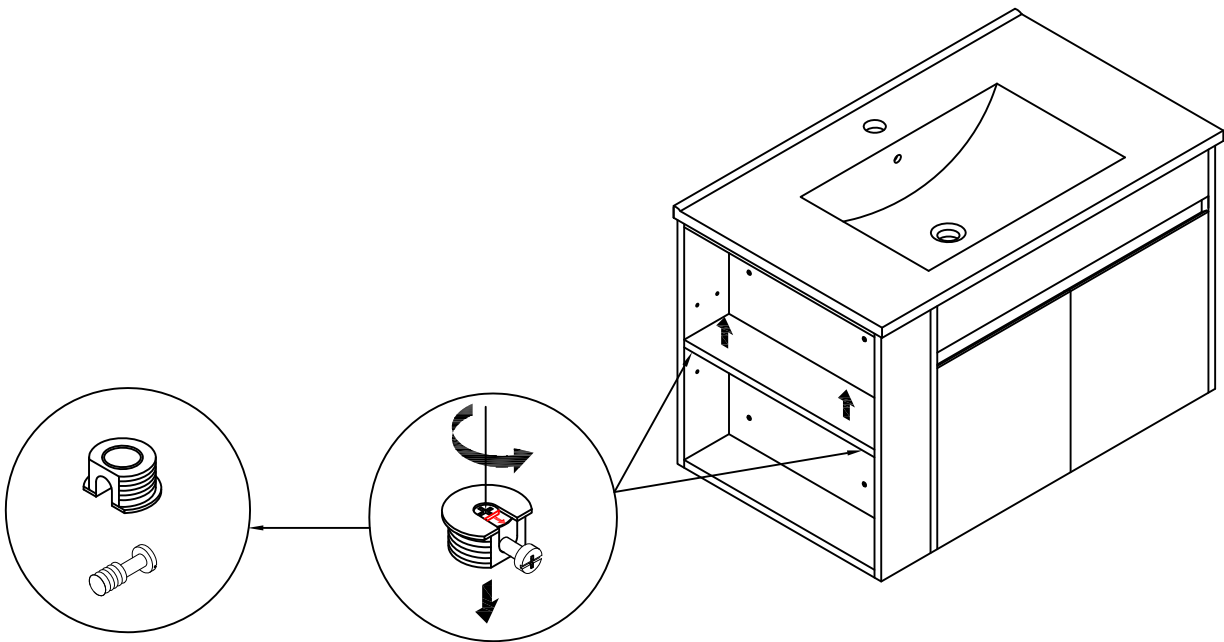
1. Align the upper gasket onto the top flange
2. Tape some thread seal tape onto the interface of the tailpiece, and connect it to the top flange
3. Insert the pop-up drain body up through the bottom of the sink



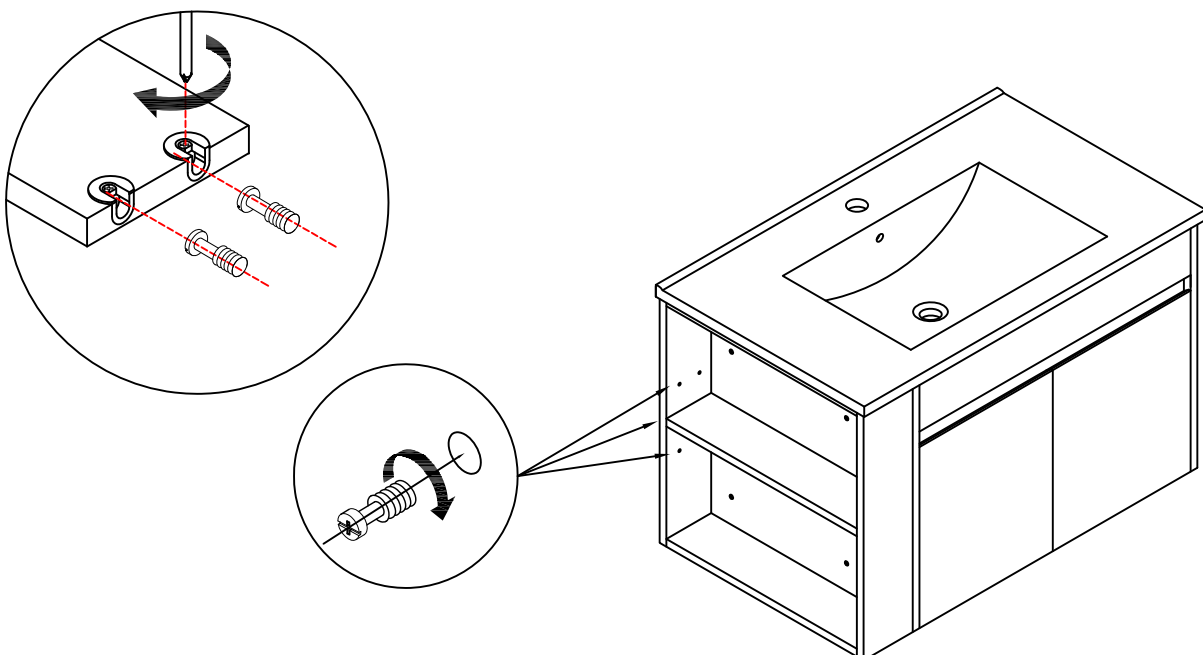
1. Align the bottom gasket as well as the lock nut onto the tailpiece
2. Place the drain body at the proper position, and then tighten up the lock nut .

How to adjust movable wooden panles

- 1 Use a screwdriver to loosen the accessories at the bottom of the adjustable board as shown in the figure.



- 2 The height of the side laminates can be adjusted according to the hole position .

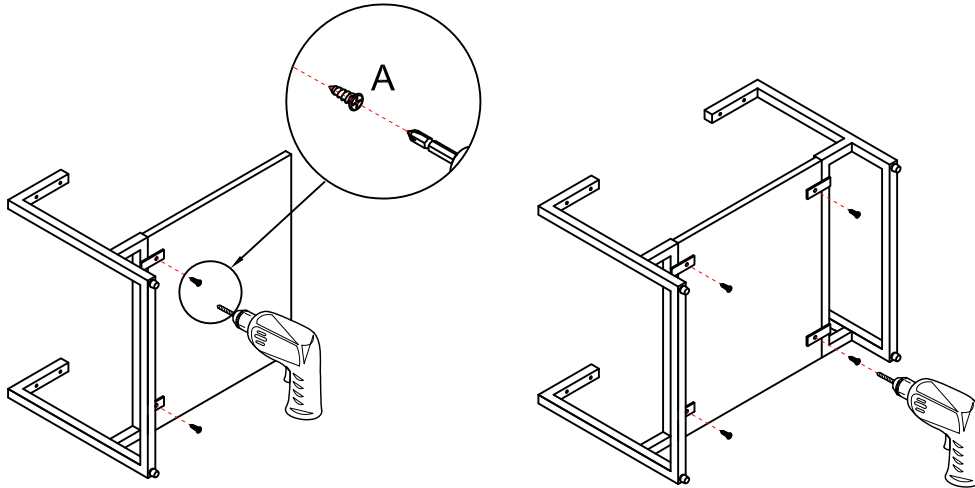


Special instruction

1 Attach the laminate to the metal frame with $\text{\O}4 \times 14$ screws as shown.

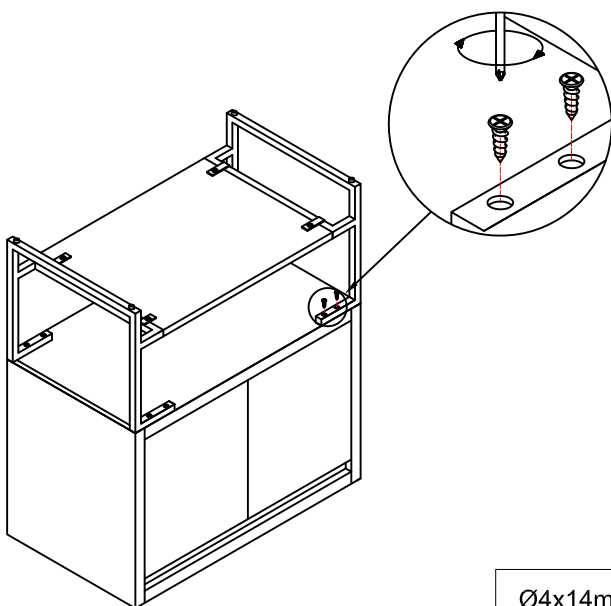
$\text{\O}4 \times 14 \text{mm}$

 x4




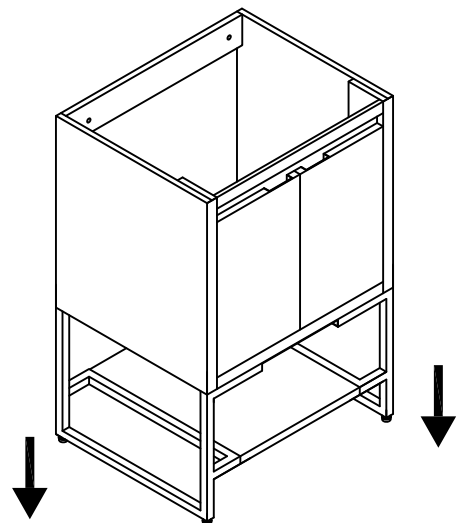
3 Place the cabinet carefully on the carpet, and then install the metal frame according to the picture.

4 The cabinet will be placed carefully after installing good layer frame.




$\text{\O}4 \times 14 \text{mm}$


 x4

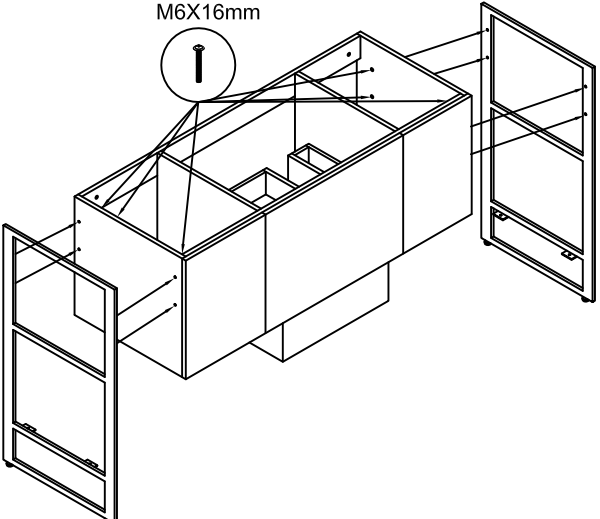


Special instruction

1


M6X15mm
 x4

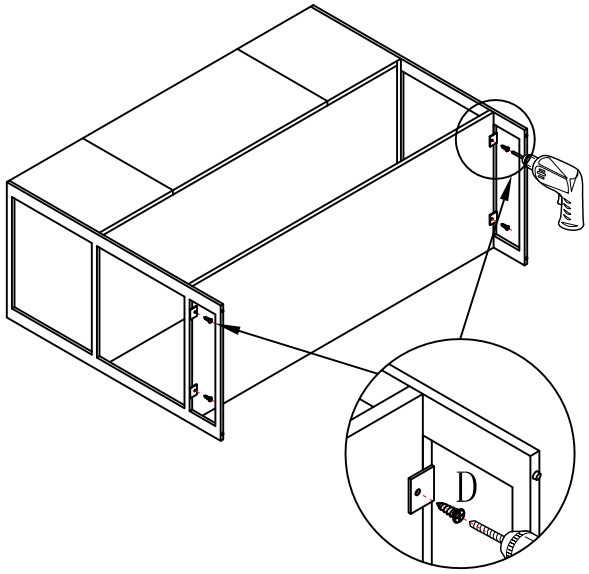
M6X16mm




1. During installation, place a SUPPORT under vanity base so that the metal supports on both sides can be assembled smoothly.

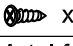
2


Ø4x14mm
 x4



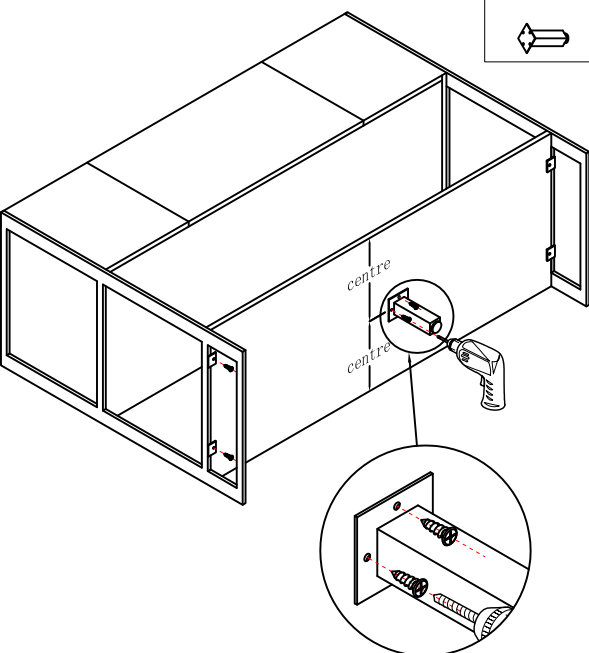
2. After installing both sides of the metal frame, please carefully put the cabinet flat on the ground to install the bottom plate.

3

Ø4x14mm
 x4

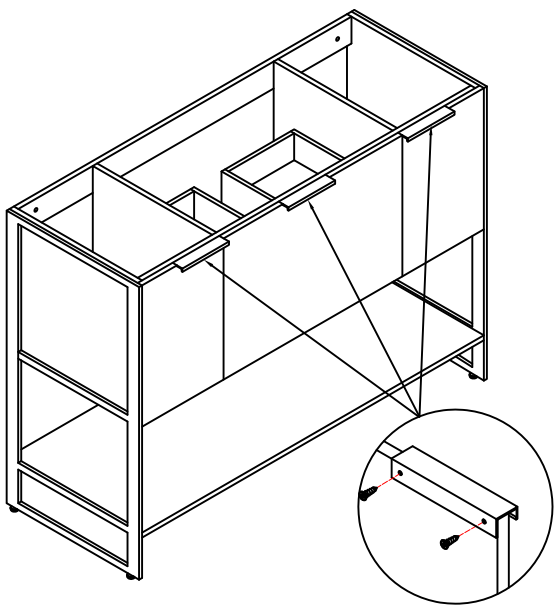
Metal foot
 x1

centre
 centre



3. A008 SERIES 48 and 60 inch bottom need to install metal feet according to the drawing, other sizes do not need to install metal feet.

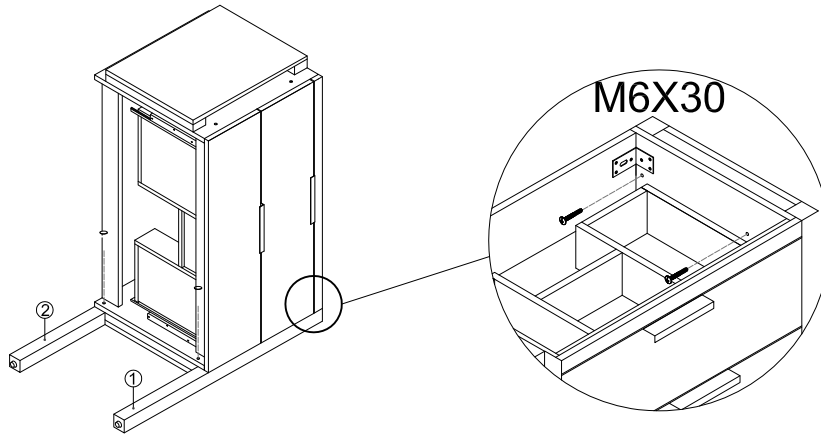
4



4. The 10th Page above Installation Sequence For details about how to install the handle.

Special instruction

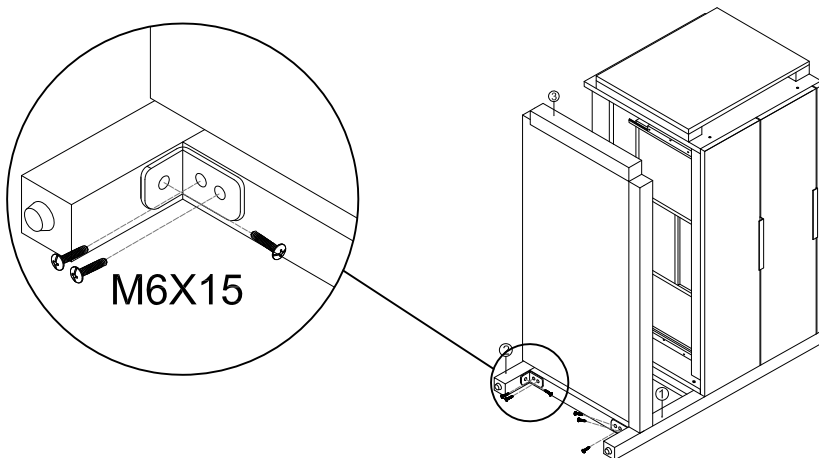
- 1 Position the cabinet as indicated and tighten the wood with the appropriate fitting screws.



M6X30mm



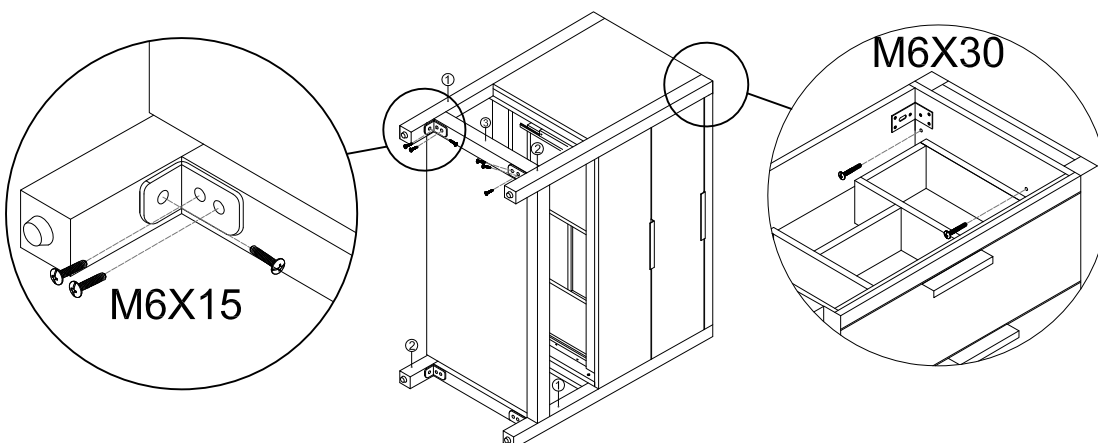
- 2 Use M6*15 screws to lock the laminates as shown in the figure.



M6X15mm



- 3 Install the other two wooden feet as shown.



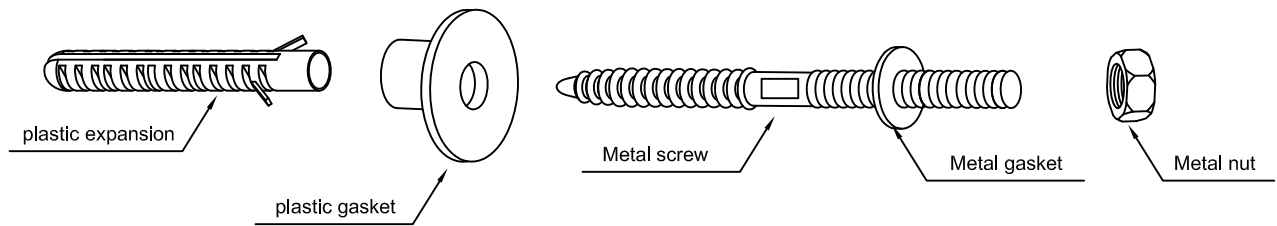
M6X30mm



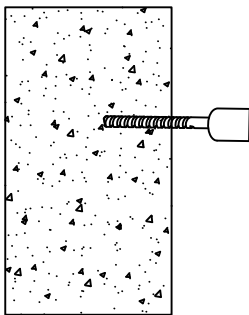
M6X15mm



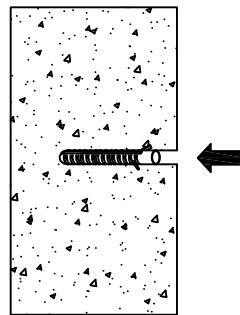
How to install wall-hung basins



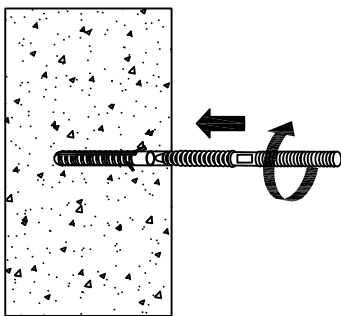
Note: These fixings are suitable for solid walls only. Plasterboard or stud walls may require specialist fixings (not supplied). Caution: Care should be taken when drilling walls and floors to avoid and sunken wires or pipes.



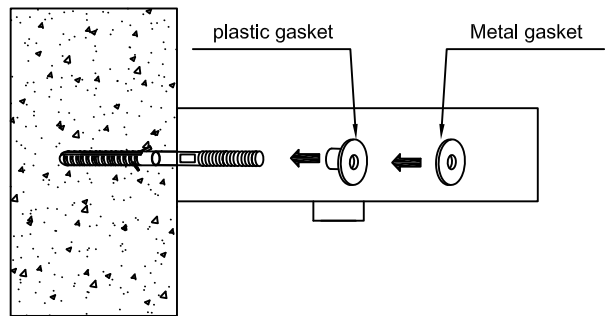
1. According to the number of wall hanging holes on the back of the basin, drill two holes in the desired location in the wall with a 14mm masonry bit to a depth of 75mm.



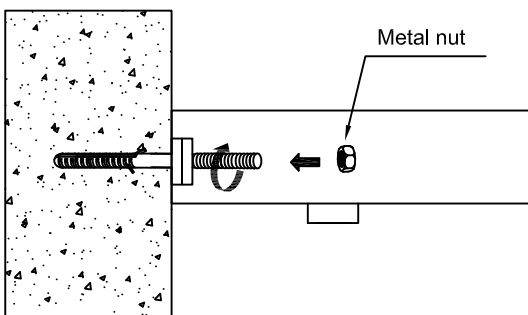
2. Push a wall plug into each hole.



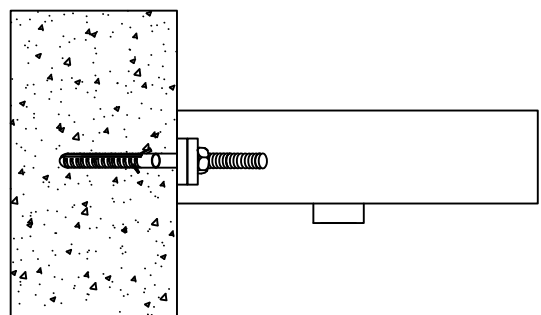
3. Screw a fixing bolt into each fixing plug using a 8mm spanner until the spanner contacts the wall.



4. Place the basin in position against the wall, locating the fixing bolts through the holes in the rear of the basin. Push a plastic washer, followed by a metal washer, onto each fixing bolt.



5. Screw a metal nut onto each fixing bolt to secure the basin. Caution do not overtighten, as this may damage the ceramic.



6. Finished.