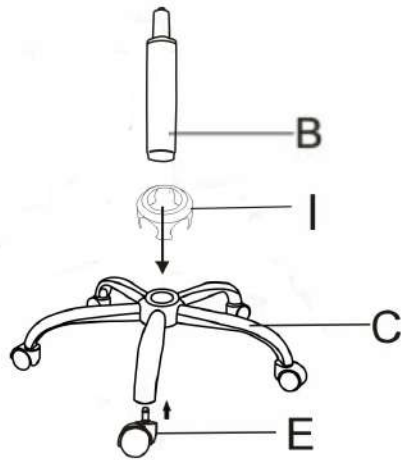


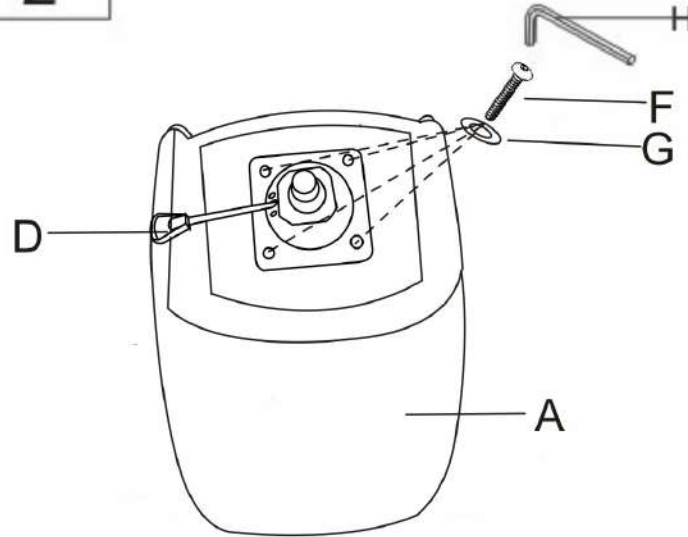
ASSEMBLY INSTRUCTION

▽ ASSEMBLY PROGRAM

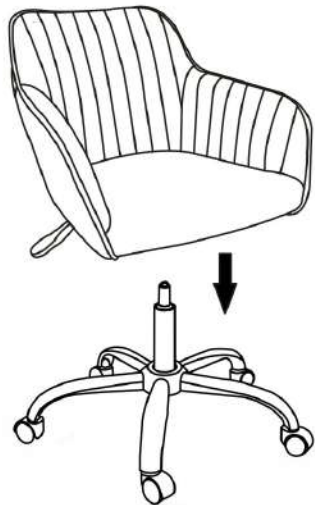
1



2



3



4



▽ PARTSxQTY

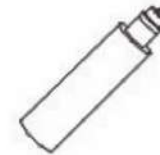
Ax1



Ex5



Bx1



Fx4



Cx1



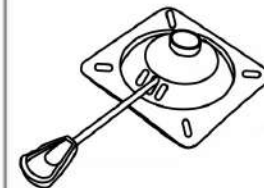
Gx4



Hx1



Dx1



Ix1

