
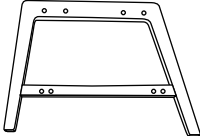
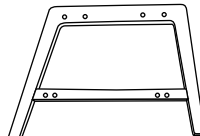

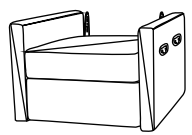
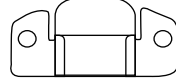
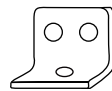
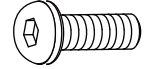
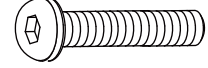




ASSEMBLE INSTRUCTION

(2-1) 1x 

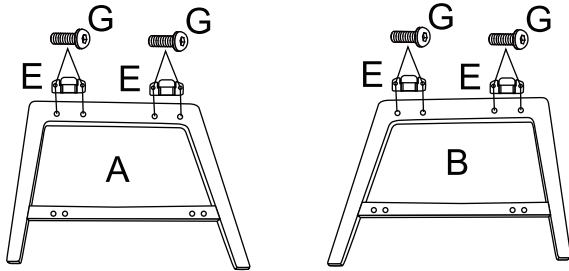
PART LISTS

NO.	DESCRIPTION	SKETCH	Q'TY
A	LEFT ARM		1
B	RIGHT ARM		1
C	BACK		1
D	SEAT		1
E	INSERT		8
F	HARDWARE		4
G	BOLT	 M6x20mm	24
H	BOLT	 M6x30mm	4
J	ALLEN KEY		1

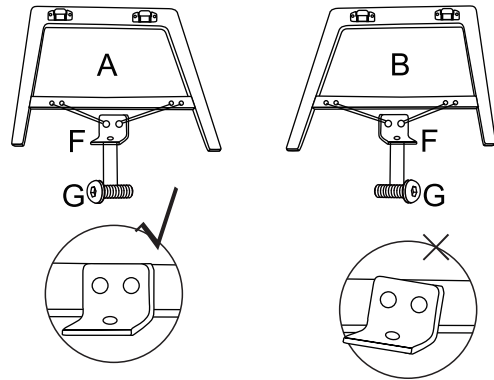
ASSEMBLE INSTRUCTION

(2-2) 1x 

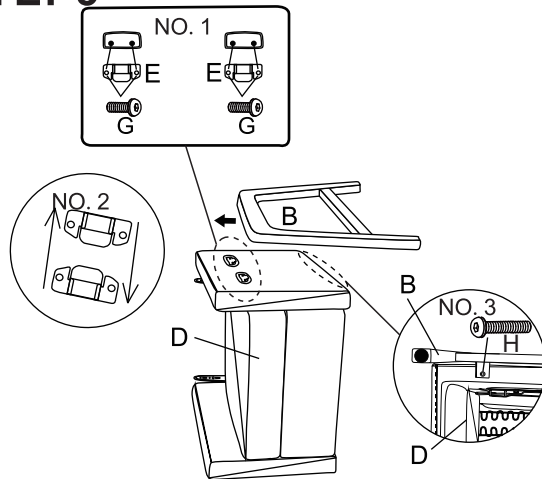
STEP1



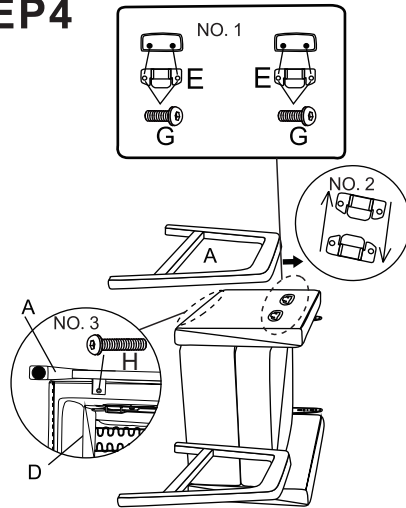
STEP2



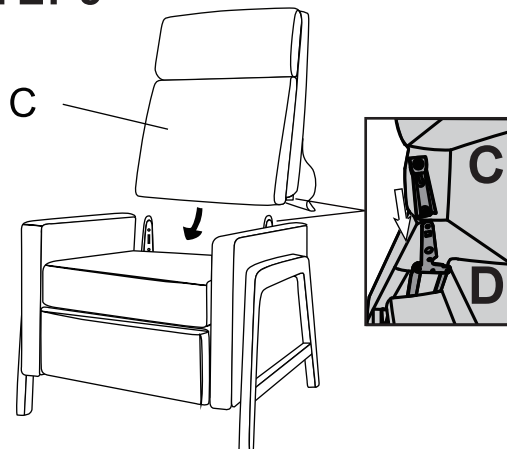
STEP3



STEP4



STEP5



STEP6

