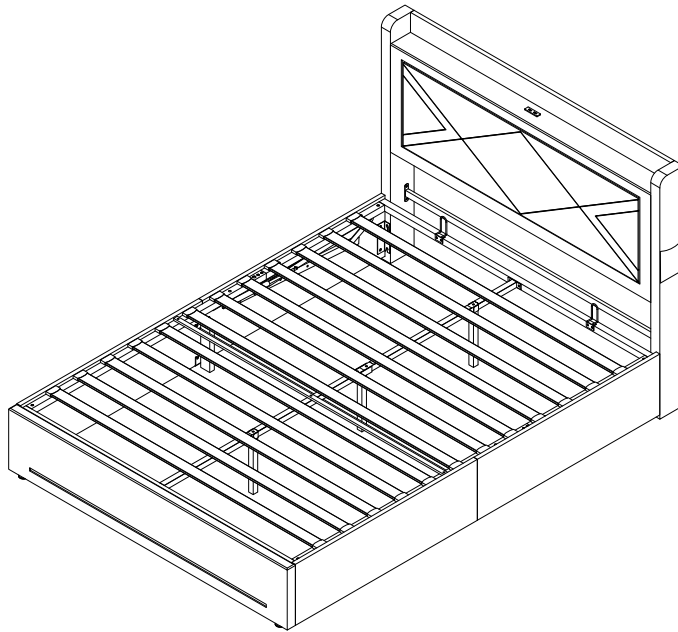




Upholstered Bed

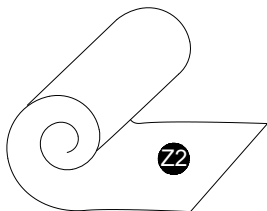
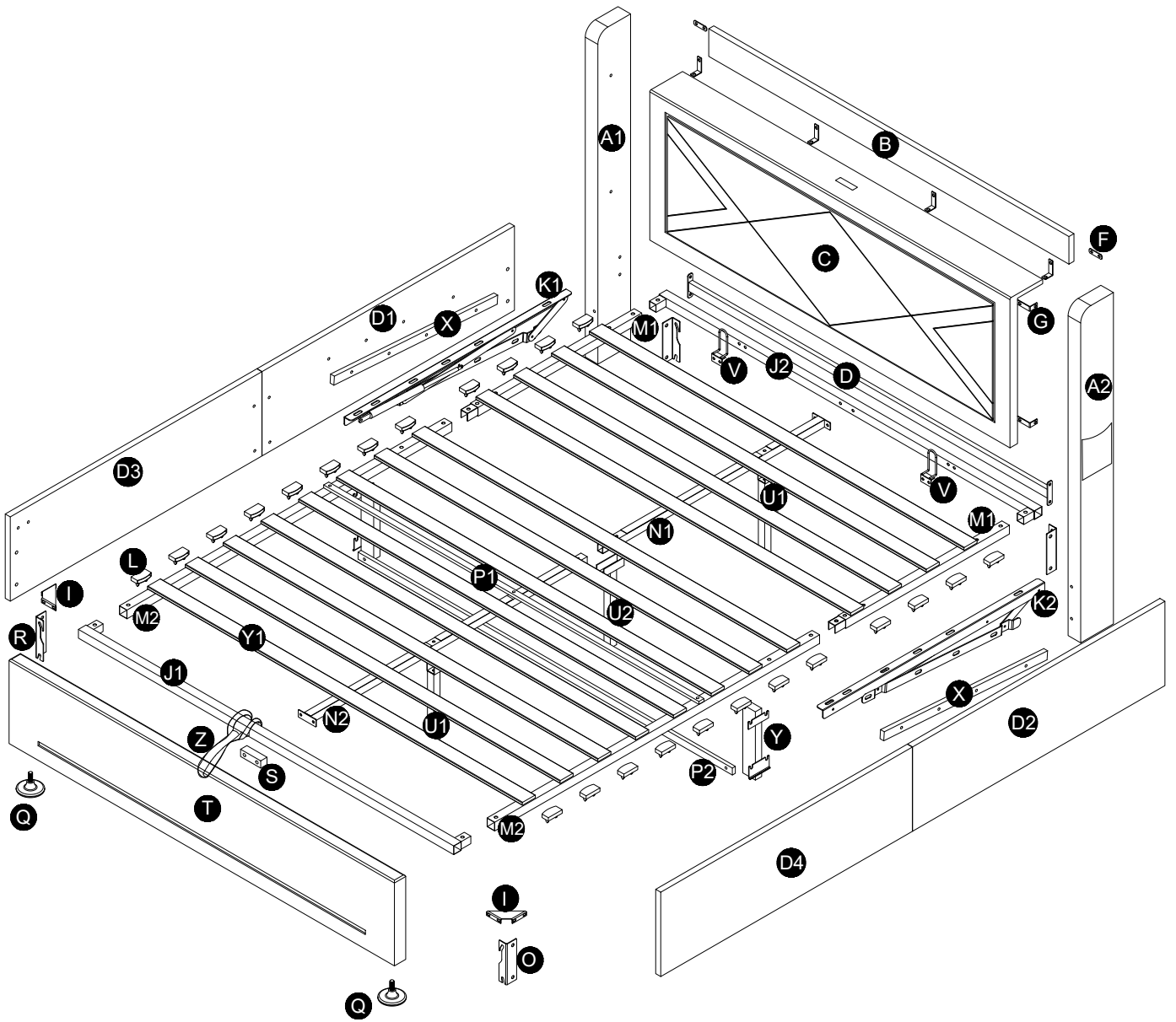
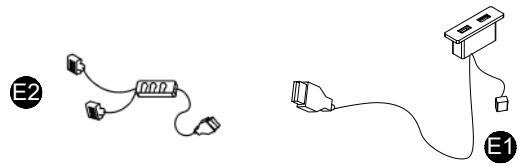
N652P298823

N652P298824



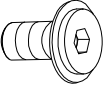
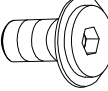
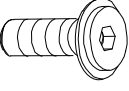
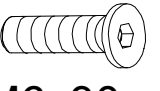
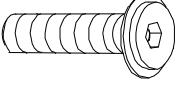
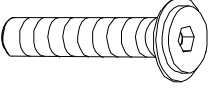
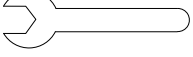

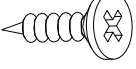
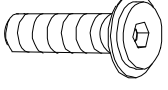



TIPS

1. This product is divided into 2 parcels for delivery. They may not arrive at the same time. Please wait patiently.
2. Please read the instructions fully before assembly. These instructions include important information which could ensure correct assembly. We have been working on providing high quality products for you. However, in the rare instance that your product is defective, missing parts or there are some issues, please don't hesitate to contact our customer service to submit parts requirements, assembly suggestion, or warranty claims, and we will give the best solution as soon as possible. If necessary, we need you to provide some more clear pictures of the issue.
3. Insert the screws in holes and tighten the screws, but not too tight, 70%~80% is ok, finally tighten all the screws. If some issues happened that some screws can not target to the hole or some parts are difficult to install, please adjust the tightness of the screws.
4. 2 people are recommended to finish.





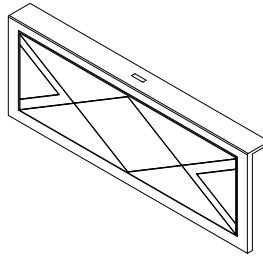
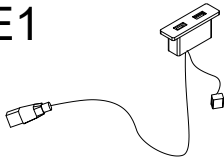
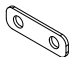
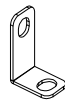
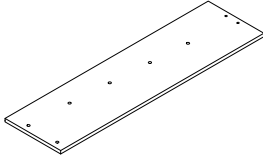
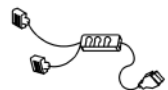
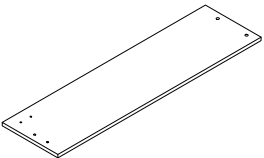
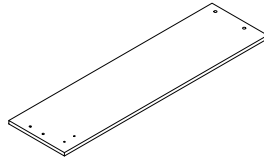
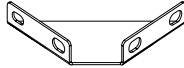
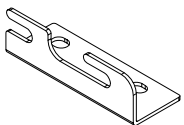
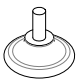
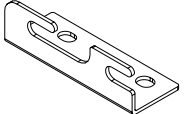
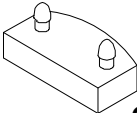

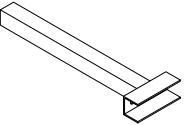
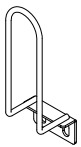
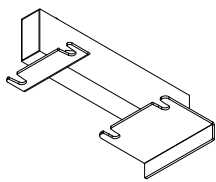

Hardware details A box

N652P298823

1	6 PCS	2	40 PCS	3	24 PCS	4	8 PCS
	M8x12mm		M8x15mm		M8x20mm		M6x30mm
5	4PCS	6	10 PCS	7	1PC	8	8 PCS
	M8x35mm		M8x45mm		M8		M8
9	2PCS	10	5PCS	11	8PCS	12	1PC
	M3x16mm		M8x30mm				M4
13	1PC						
	M5						

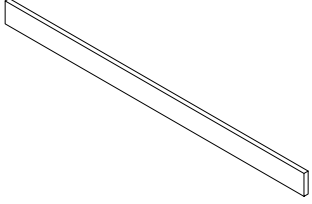
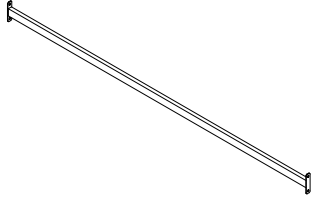
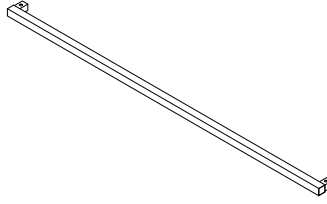
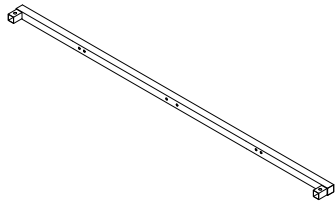
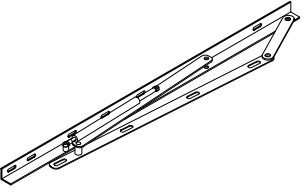
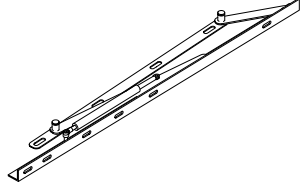
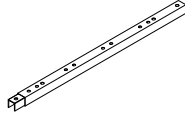
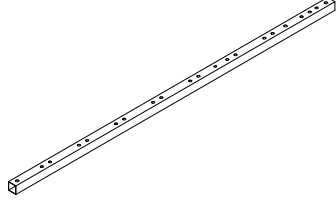
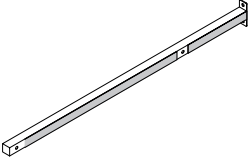
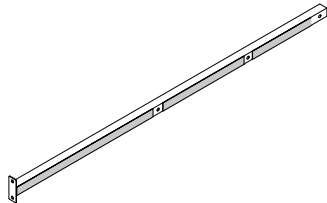
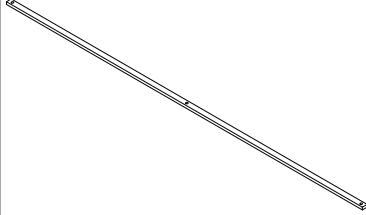
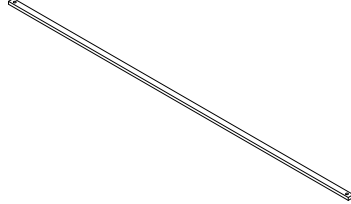
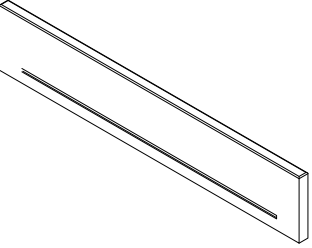
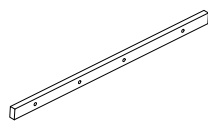
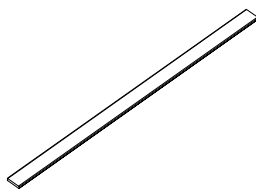
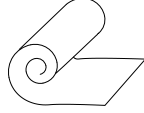
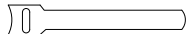
Parts List A box

N652P298823

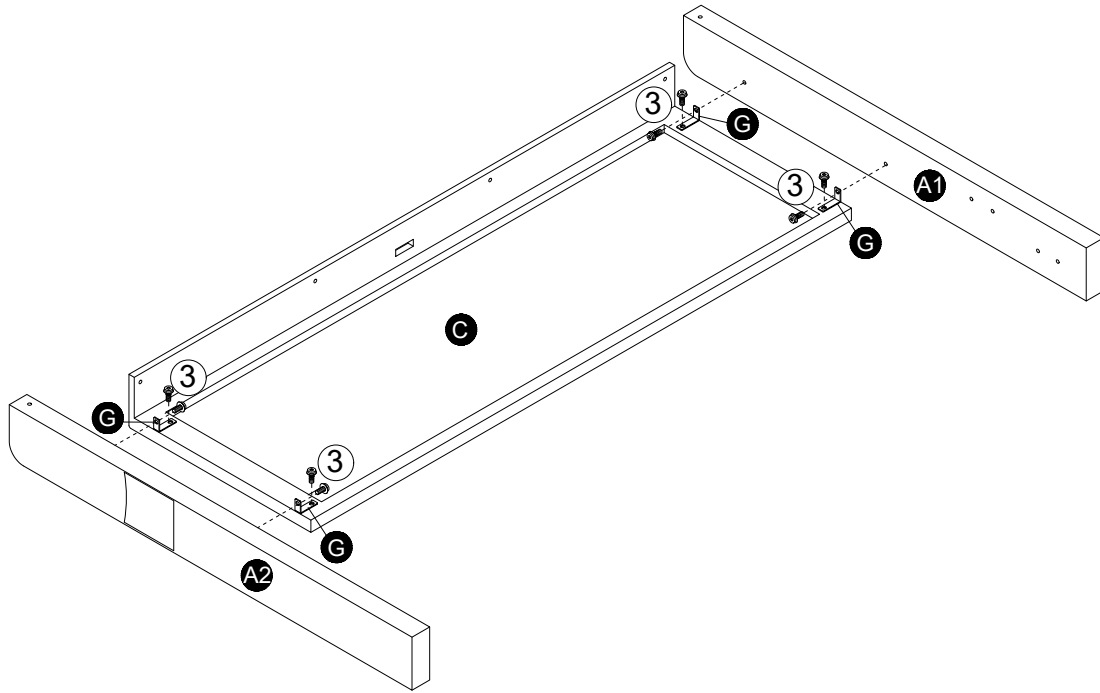
A1  1PC	A2  1PC	C  1PC	E1  1PC
F  2PCS	G  8PCS	D1  1PC	E2  1PC
D3  1PC	D4  1PC	I  2PCS	O  2PCS
Q  2PCS	R  2PCS	L  24PCS	U1  2PCS
U2  1PC	V  2PCS	Y  2PCS	Z  1PC

Parts List B box

N652P298824

<p>B</p>  <p>1PC</p>	<p>D</p>  <p>1PC</p>	<p>J1</p>  <p>1PC</p>	<p>J2</p>  <p>1PC</p>
<p>K1</p>  <p>1PC</p>	<p>K2</p>  <p>1PC</p>	<p>M1</p>  <p>2PCS</p>	<p>M2</p>  <p>2PCS</p>
<p>N1</p>  <p>1PC</p>	<p>N2</p>  <p>1PC</p>	<p>P1</p>  <p>1PC</p>	<p>P2</p>  <p>1PC</p>
<p>T</p>  <p>1PC</p>	<p>X</p>  <p>2PCS</p>	<p>Y1</p>  <p>12PCS</p>	<p>Z2</p>  <p>1PC</p>
<p>H</p>  <p>2PCS</p>			

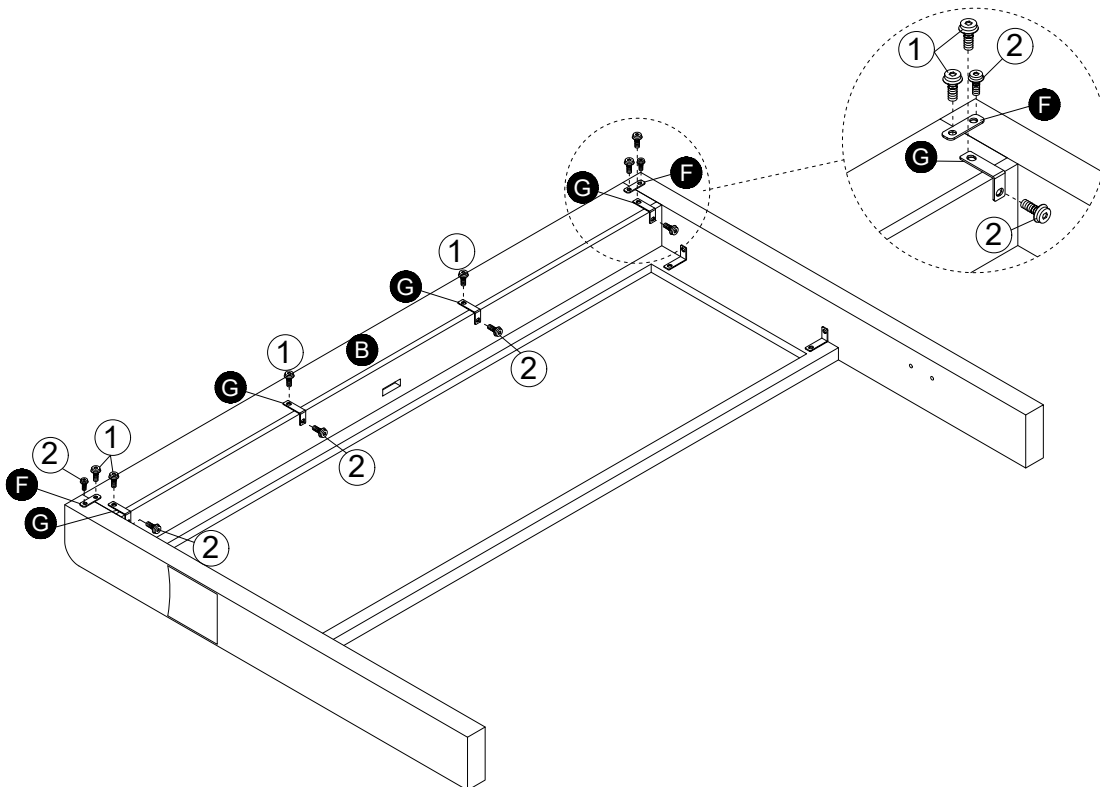
1



M8x20mm

③ X8

2



M8x12mm

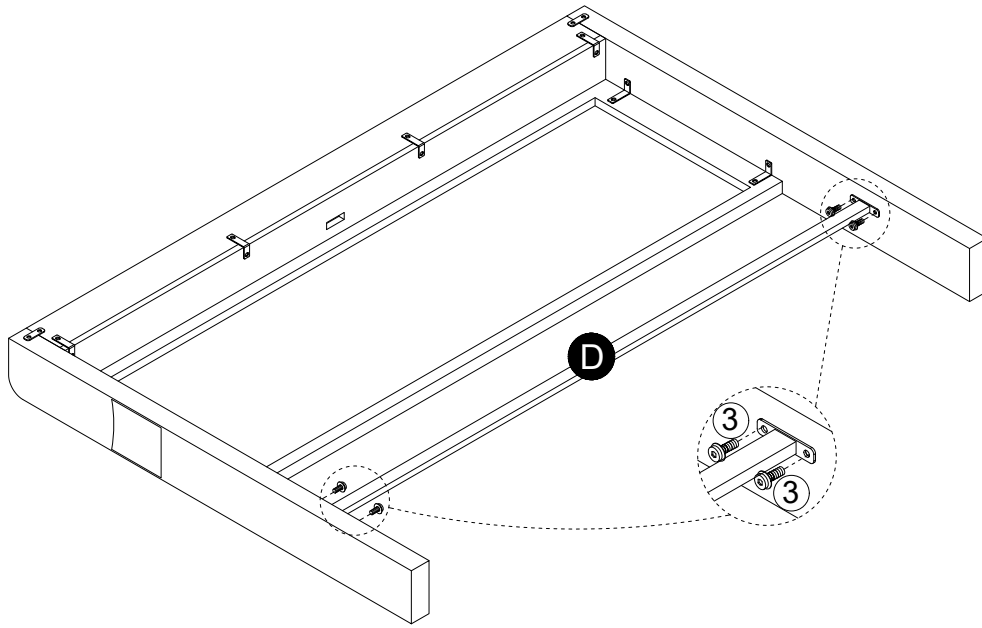
① X6



M8x15mm

② X6

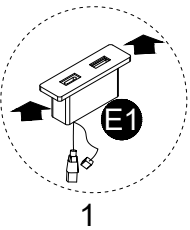
3



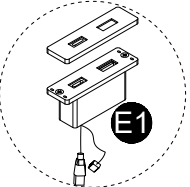
M8x20mm

③ X4

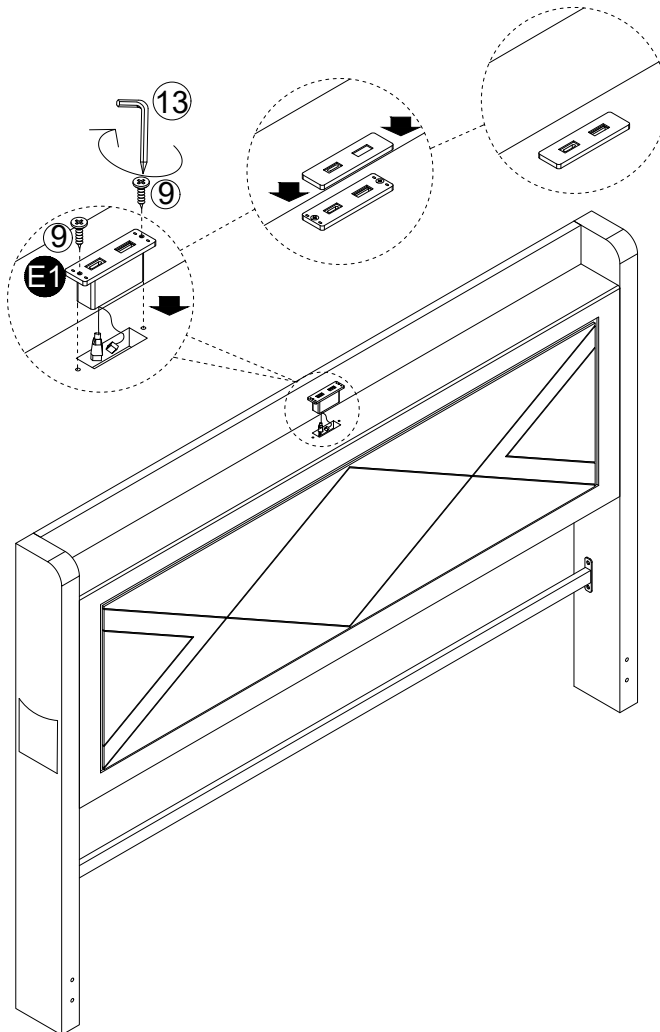
4



1



2



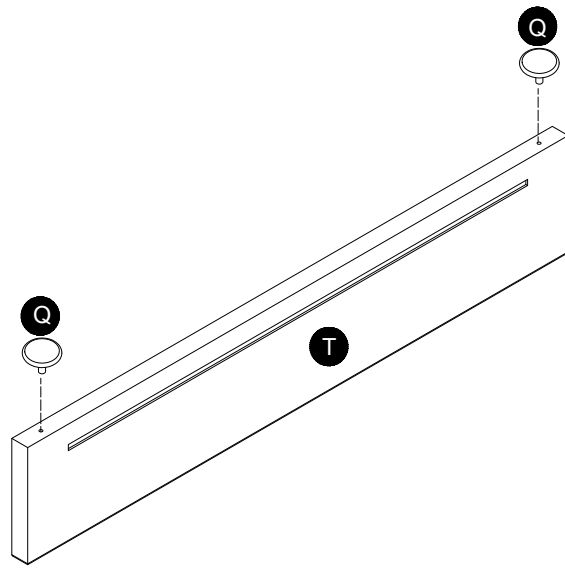
⑬ X1



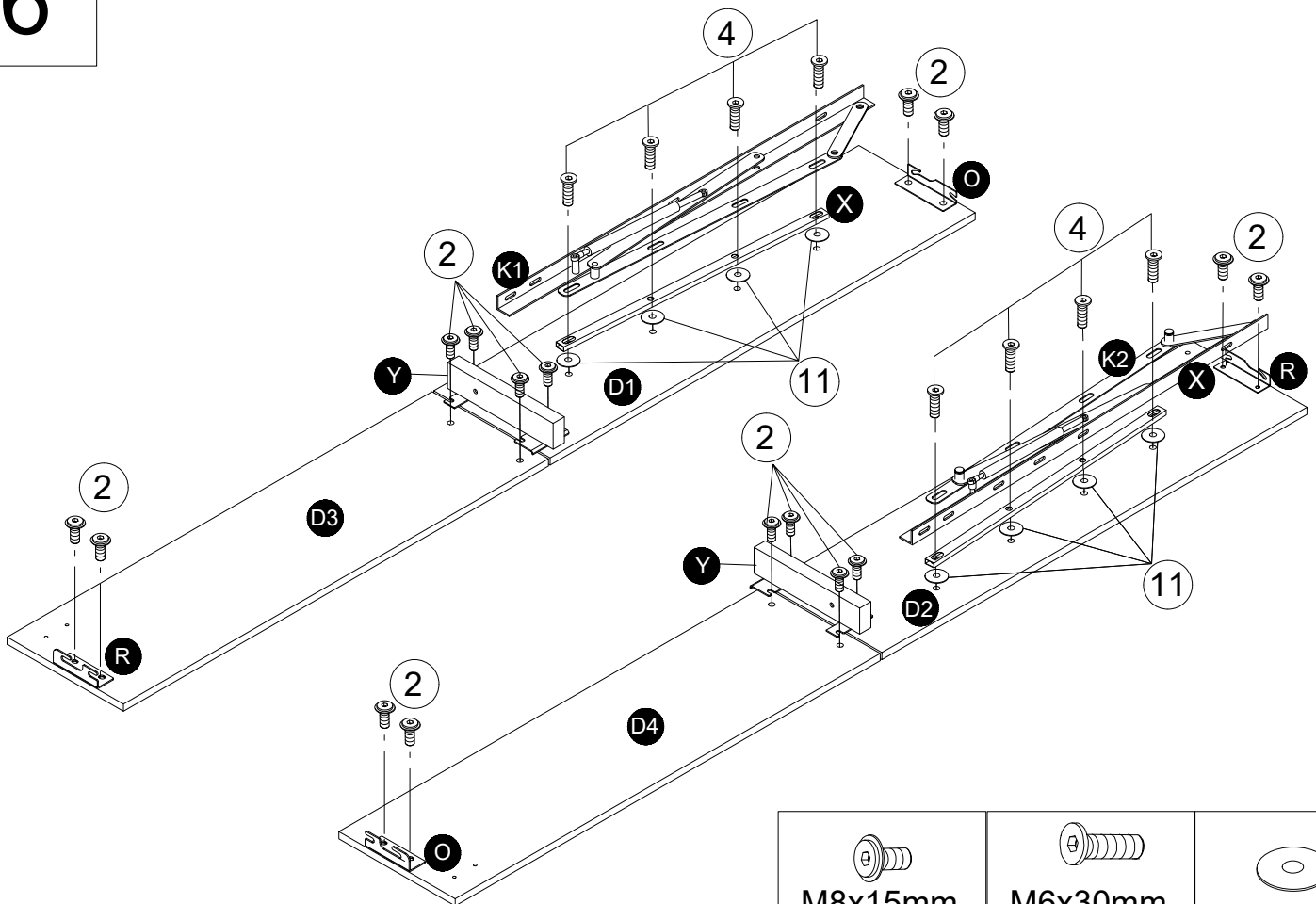
M3*16mm


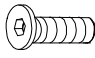

⑨ X2

5

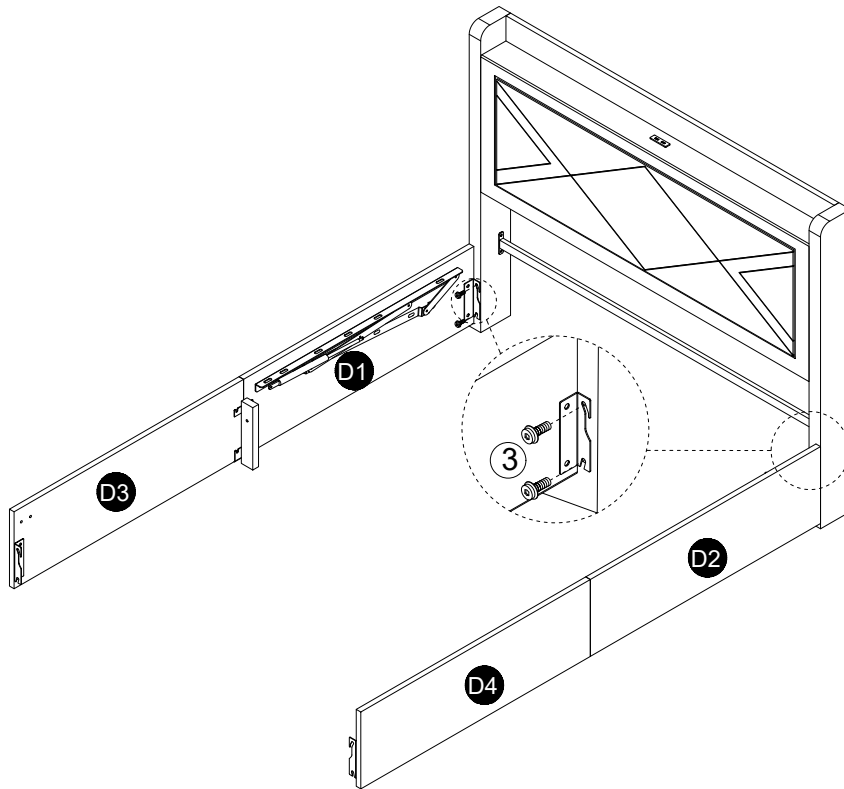


6

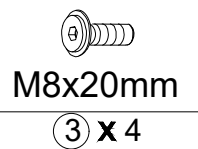


		
M8x15mm	M6x30mm	
② X16	④ X8	⑪ X8

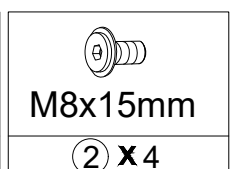
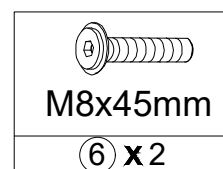
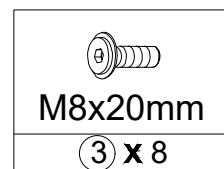
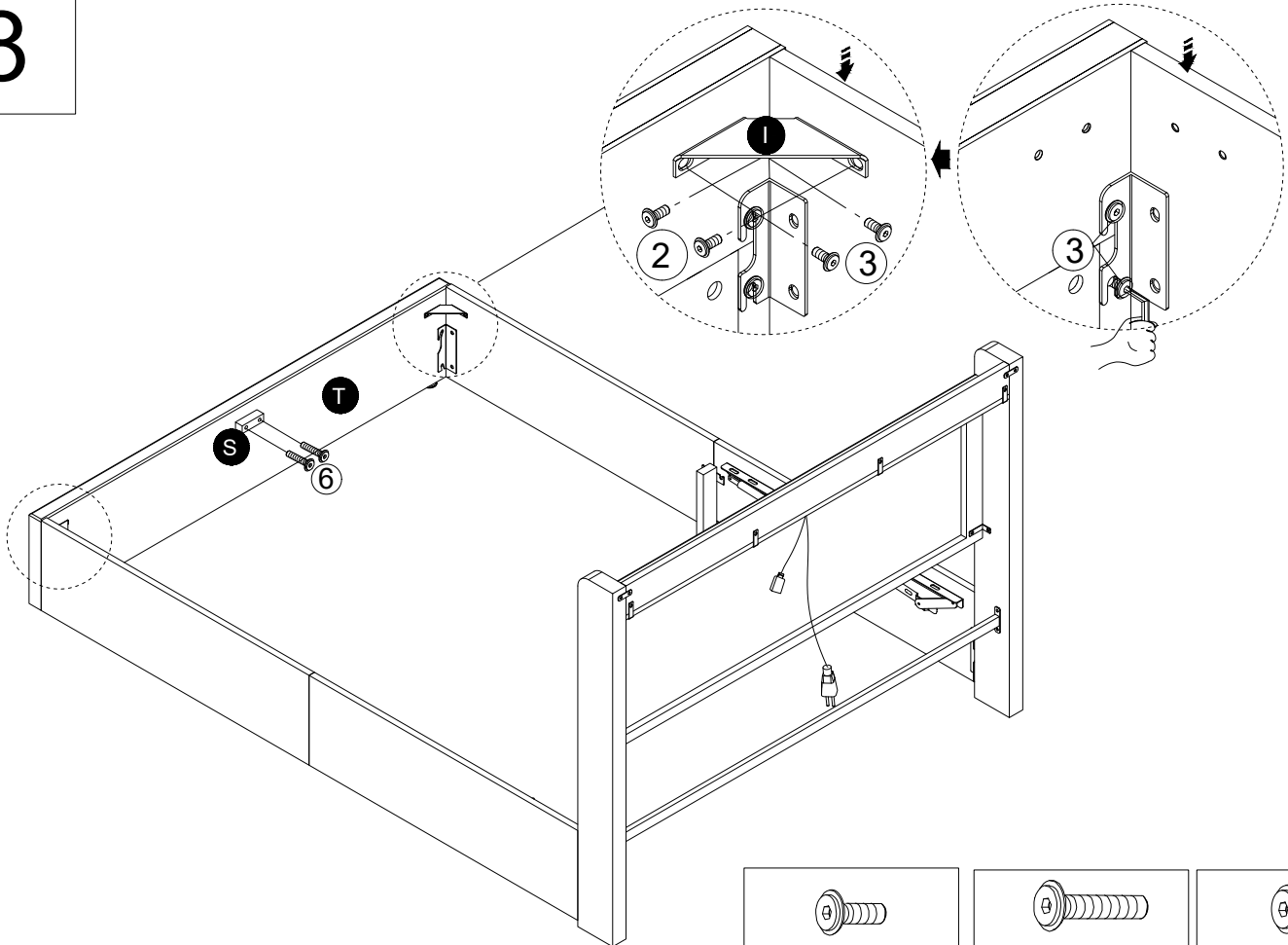
7



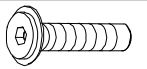
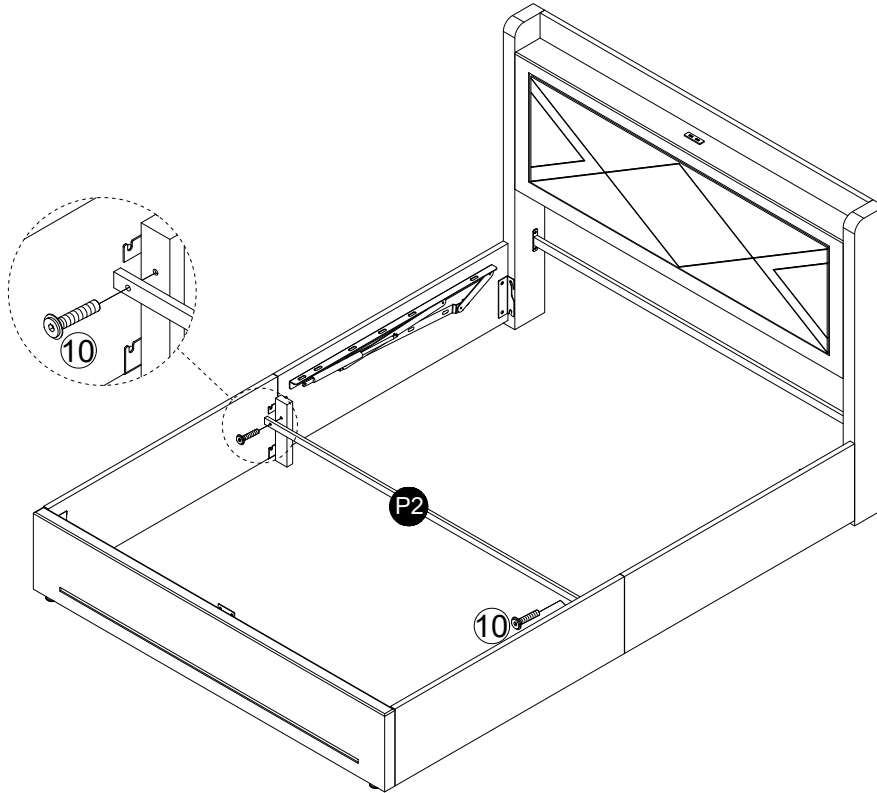
Please note that the shapes of screws 2 and 3 are similar.
Please install according to the instructions and distinguish them!



8



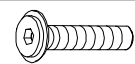
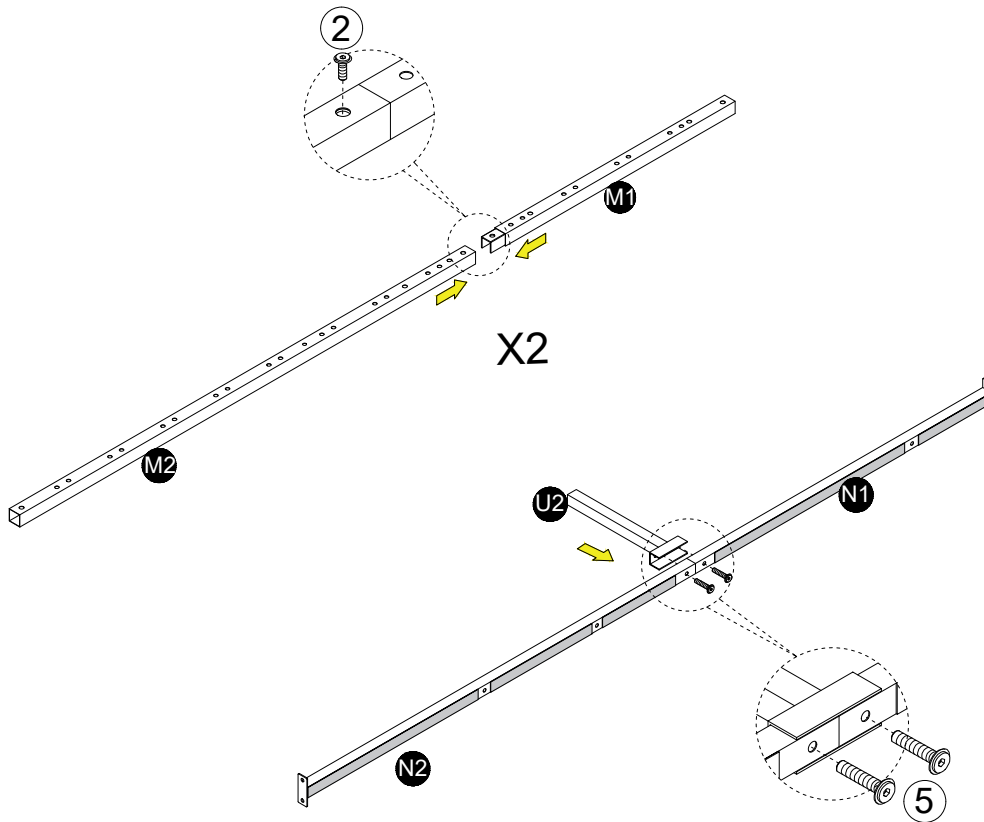
9



M8x30mm

10 x2

10



M8x35mm

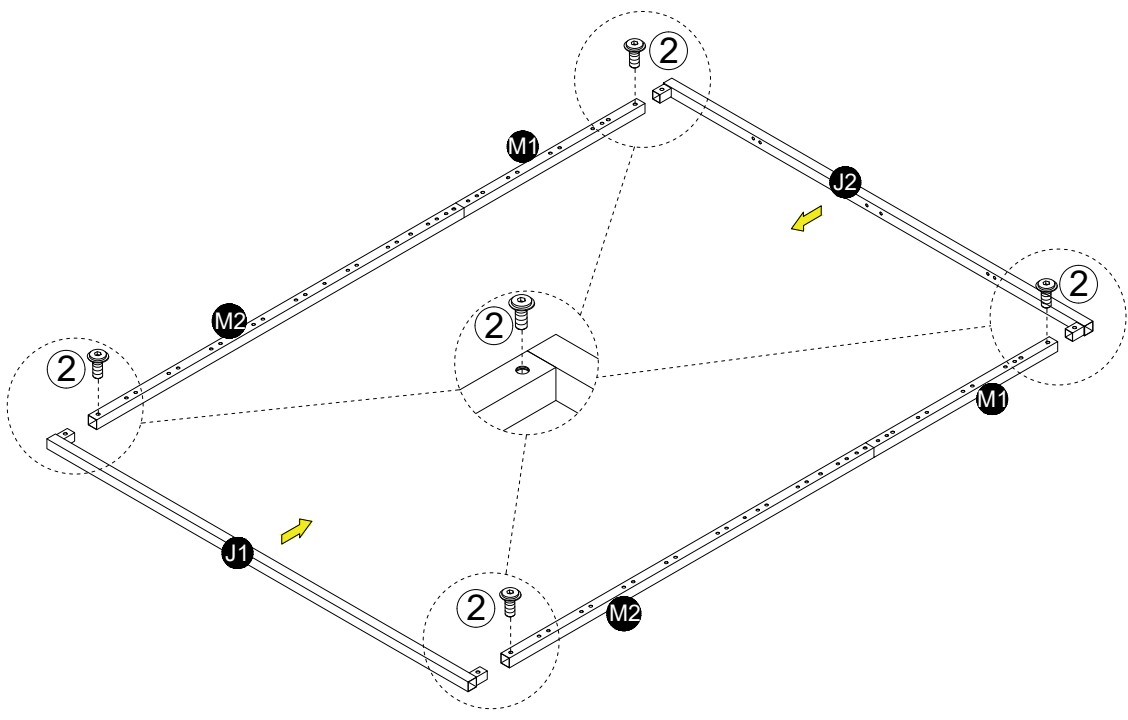
5 x2

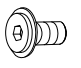


M8x15mm

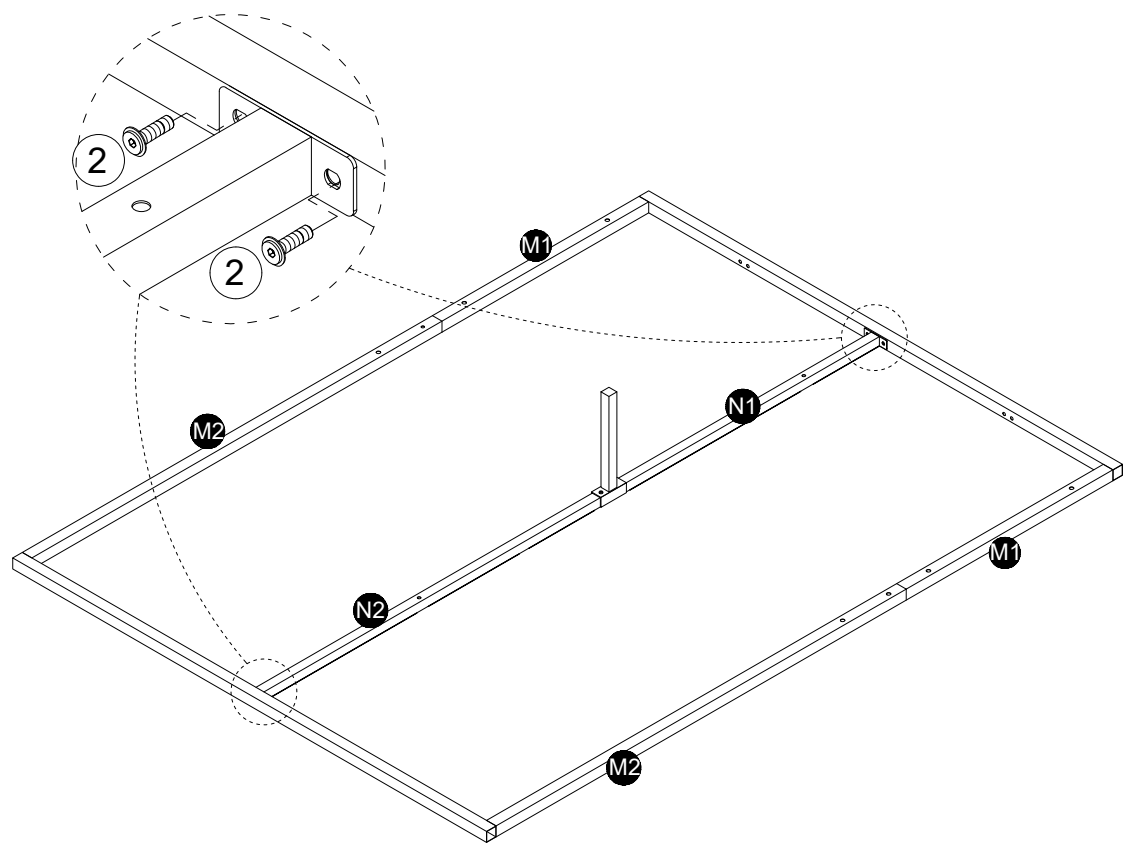
2 x2

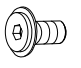
11



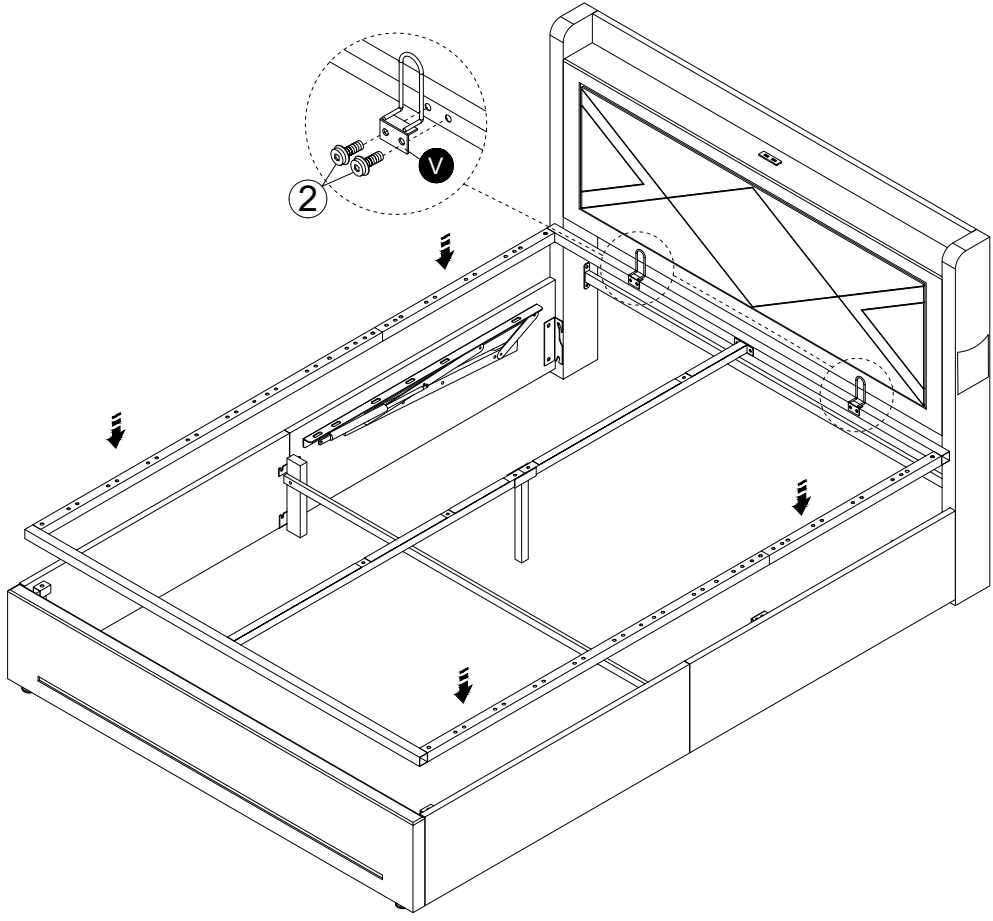

M8x15mm
② x 4


12



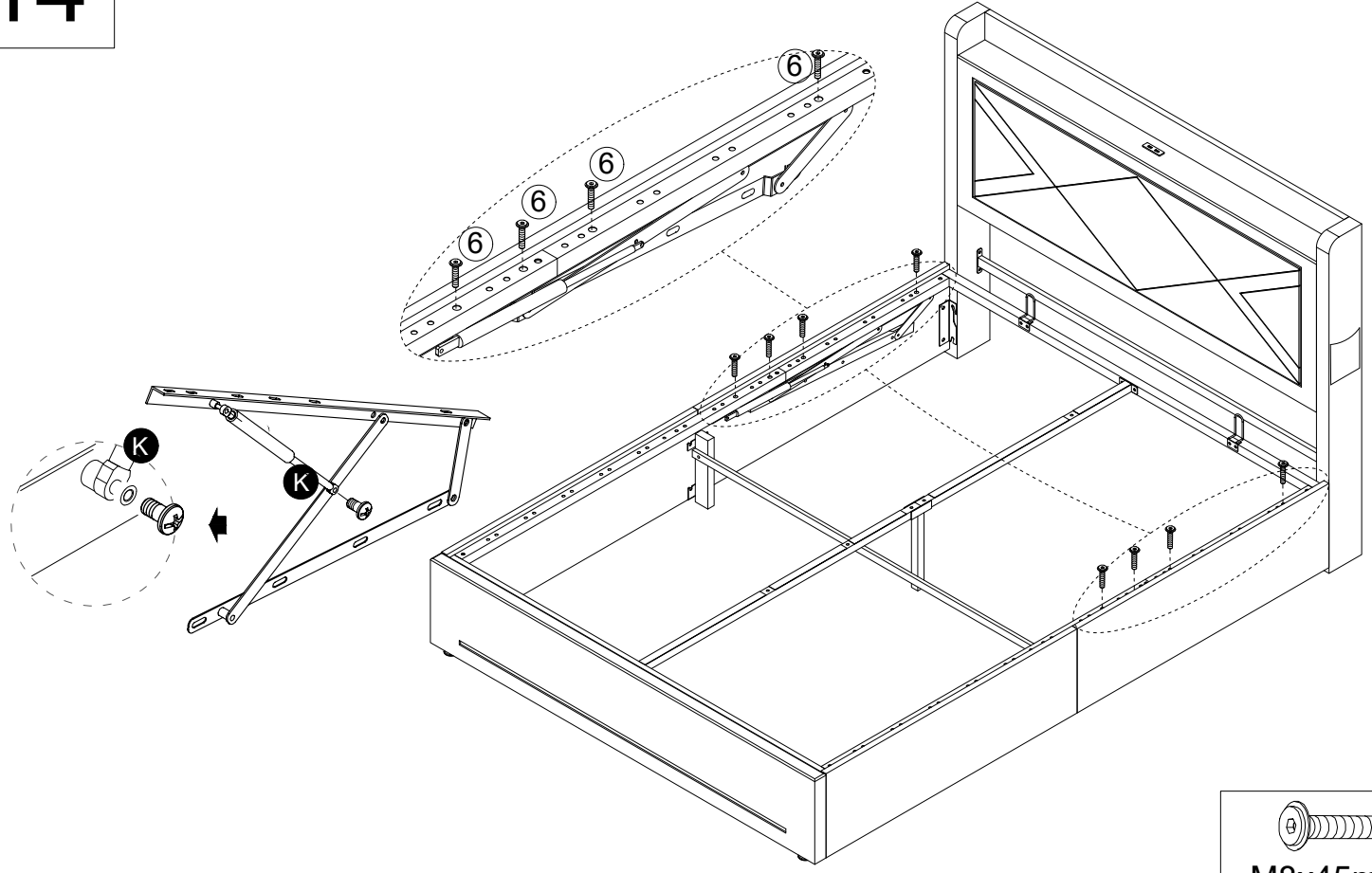

M8x15mm
② x 4

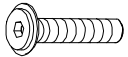
13



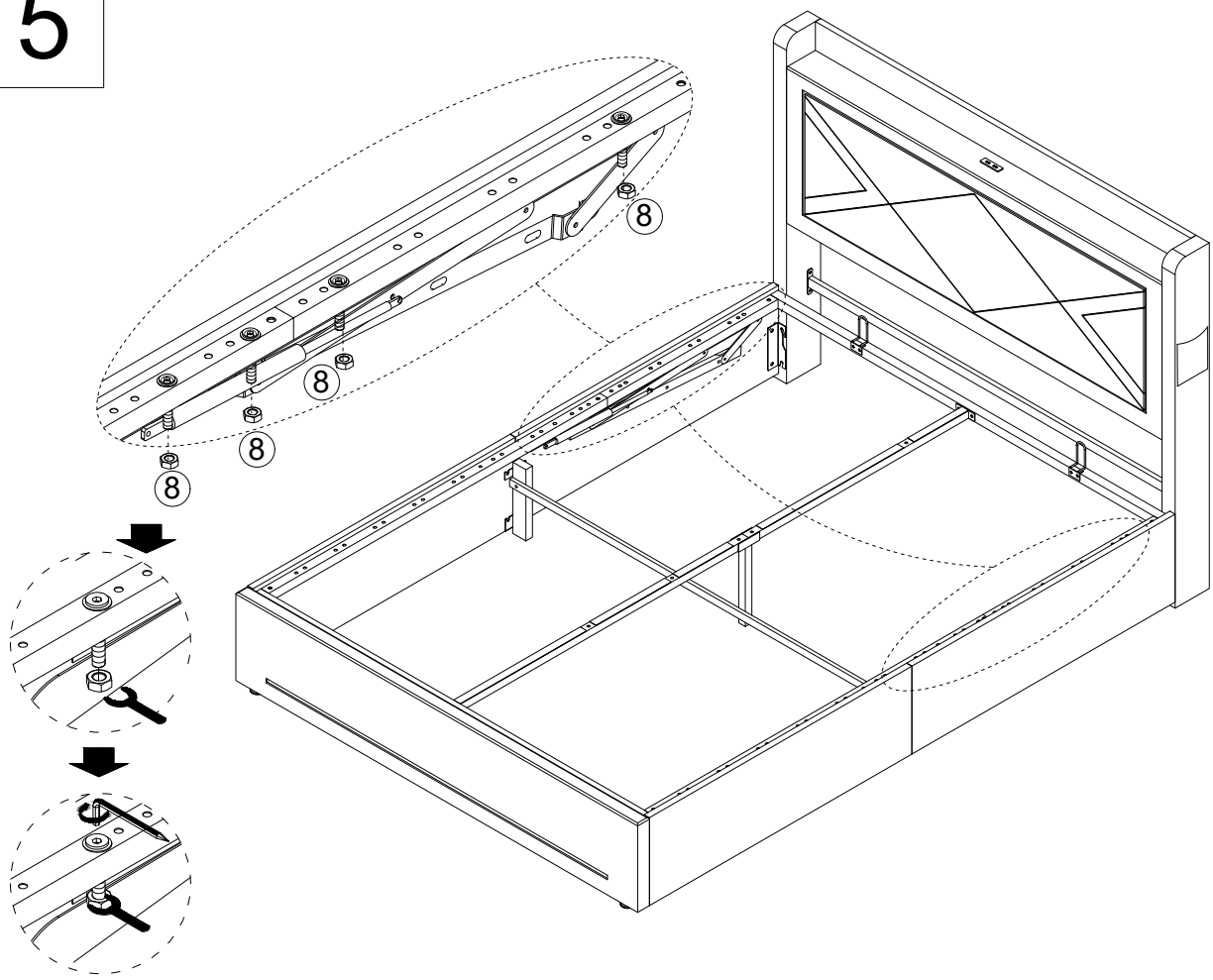

M8x15mm
② x 4


14



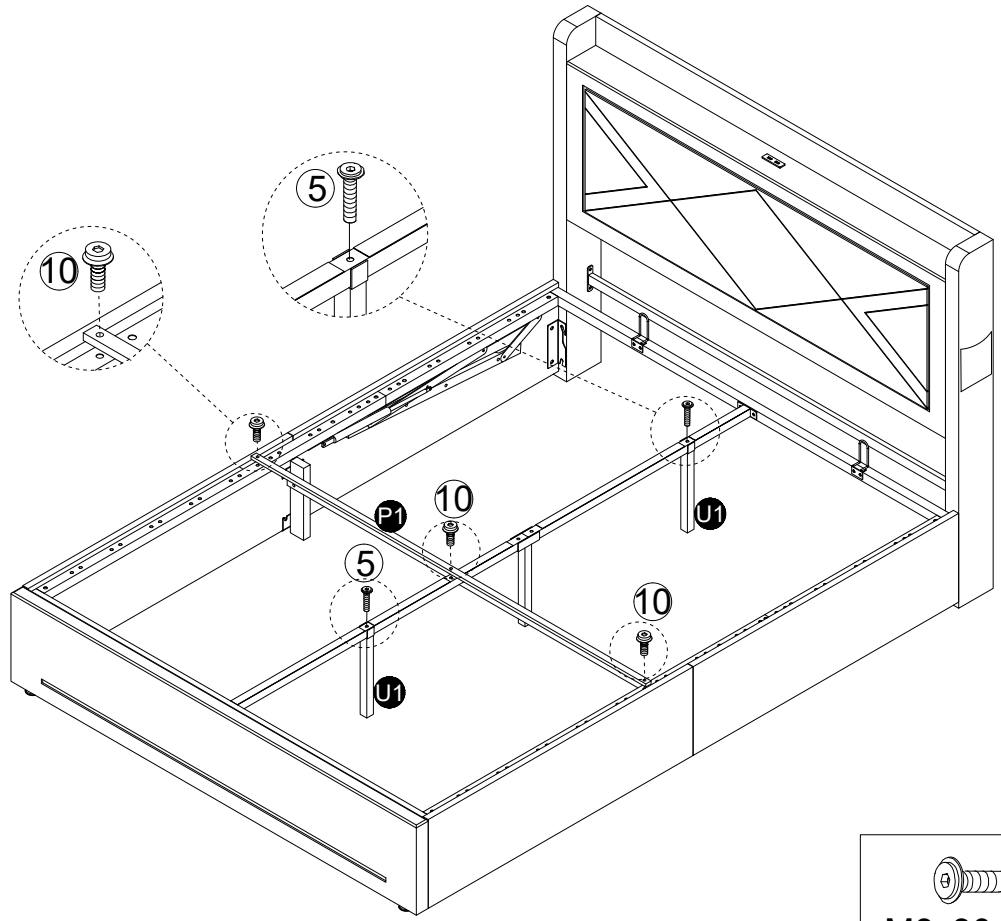

M8x45mm
⑥ x 8


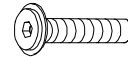
15



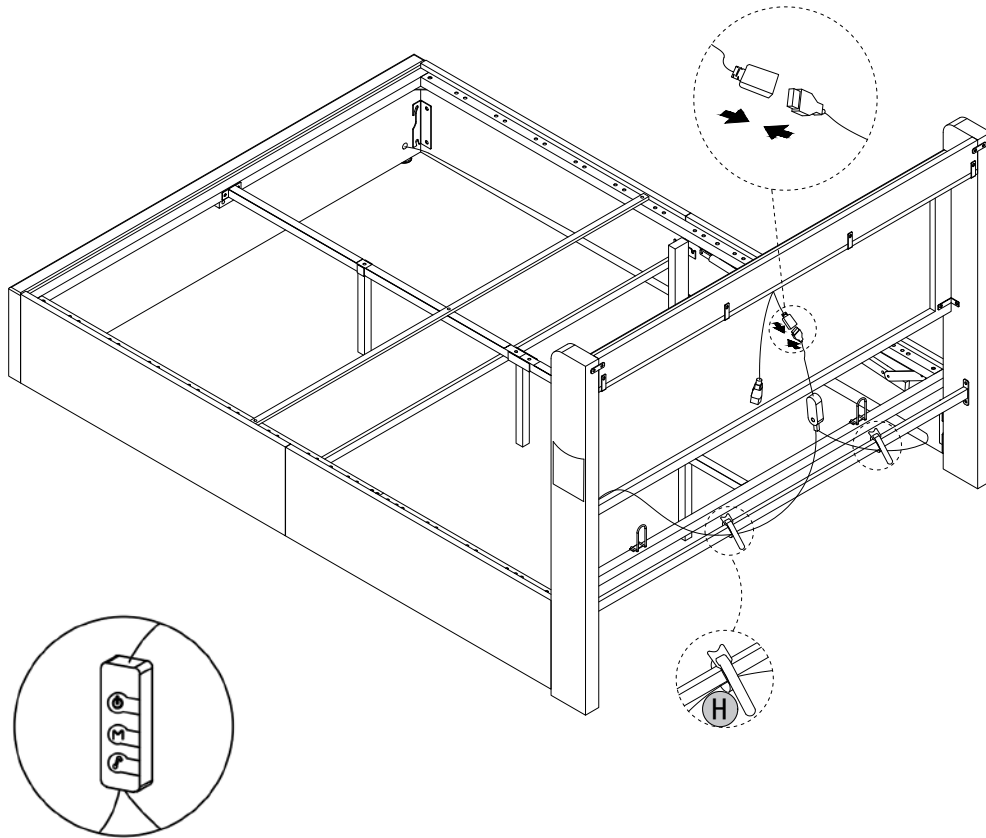

M8
8 x 8

16



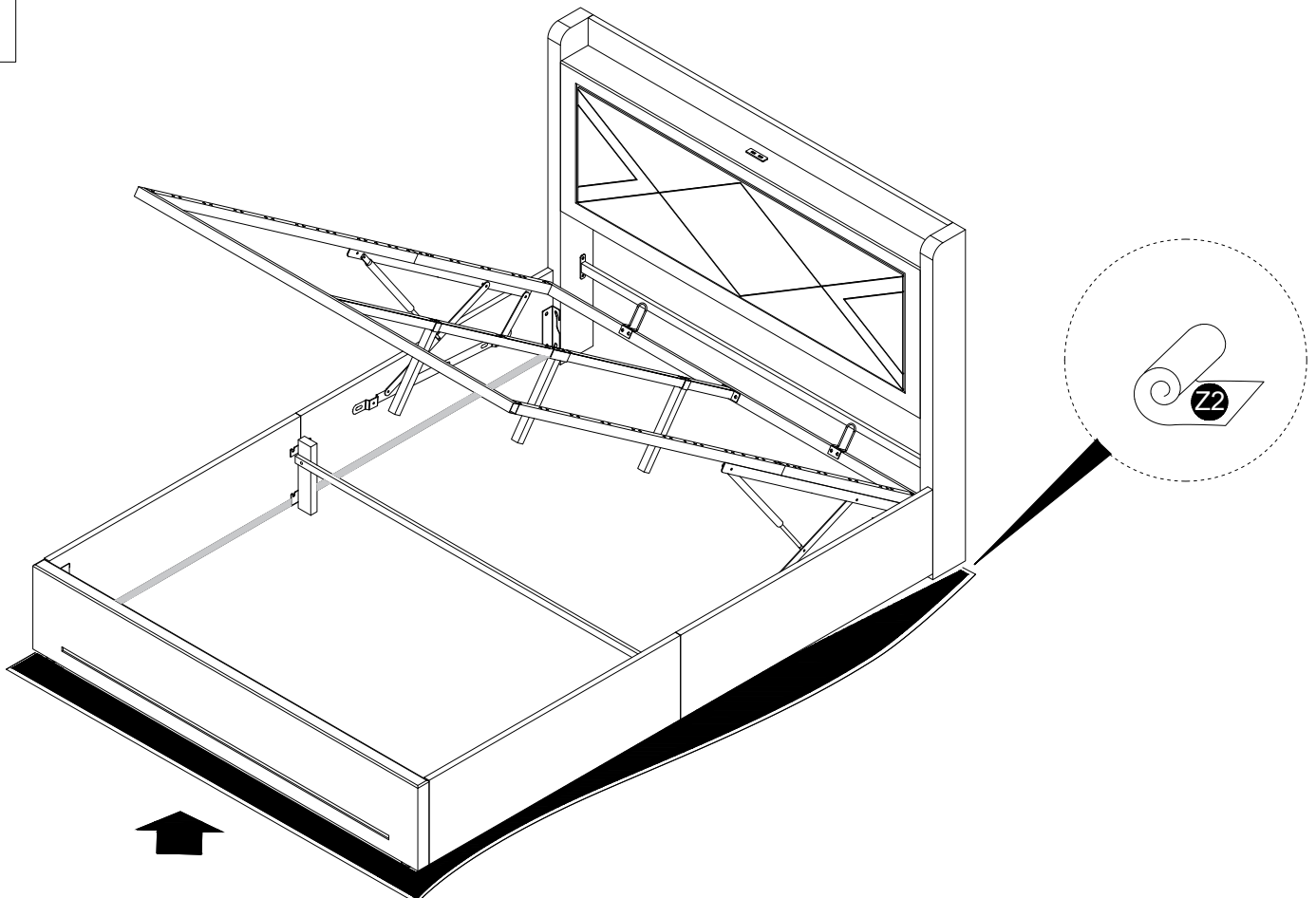
	
M8x30mm	M8x35mm
10 x 3	5 x 2

17

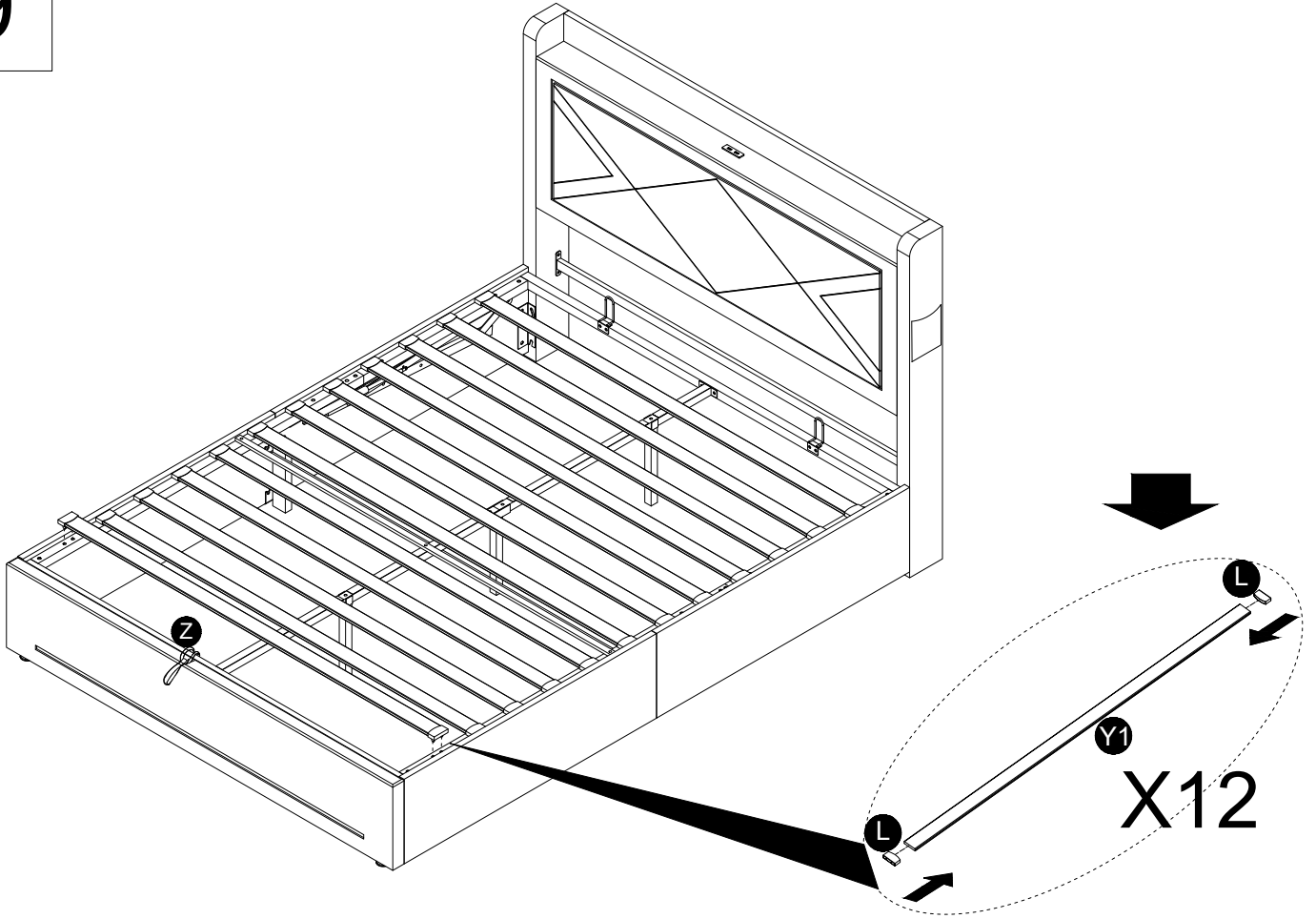


LED lamp button control.

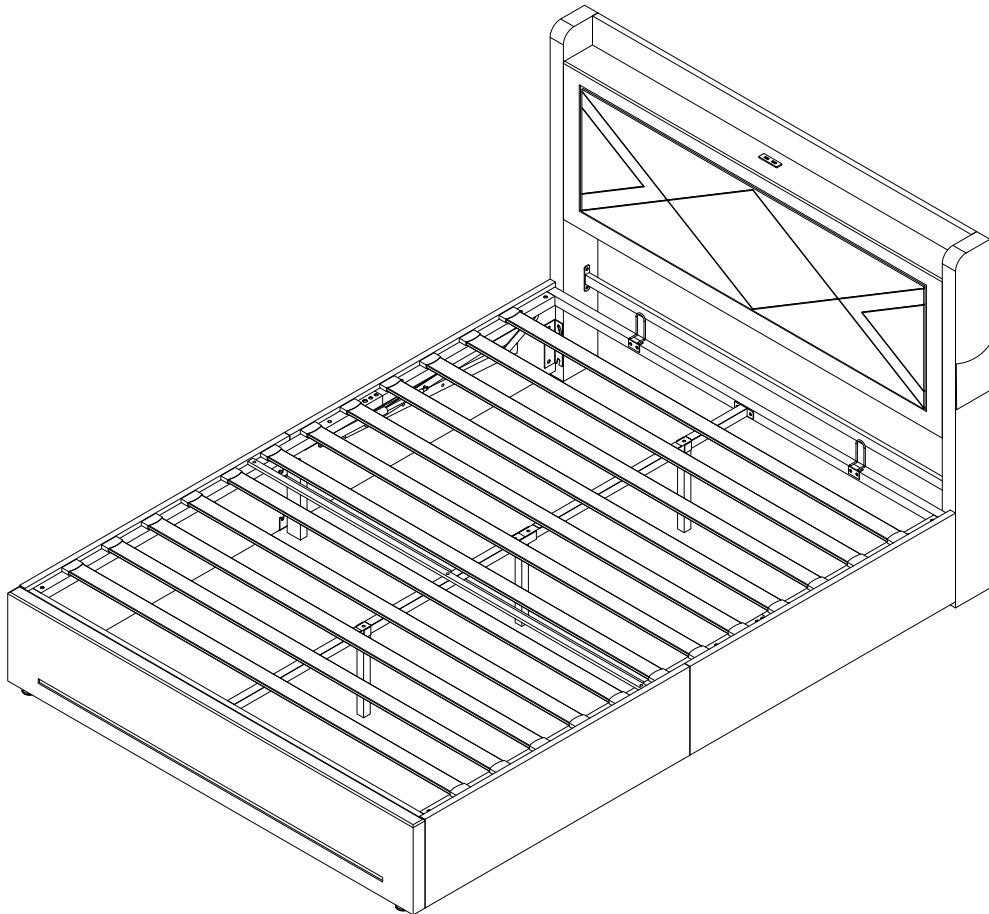
18




19



20



Importer	COMHARBOR LIMITED	
Add	Unit C, Swift Point, Cosford Lane, Rugby, CV21 1PY, GB	
Emai/URL	harborcomhar@gmail.com	
Manufacturer	Dongguan Yihong Hardware Electronics Co., Ltd	
Add	Room1106, No.2, Shangheng Road, Chang ' an Town, Dongguan	
Emai/URL	2568329427@qq.com	
Product identification	202508	
Made in	China	
[UK] [REP]	COMHARBOR LIMITED Unit C, Swift Point, Cosford Lane, Rugby, CV21 1PY, GB harborcomhar@gmail.com	
 	Product Name: LED controller Model: YH-6183 Rated voltage: 5V Rated frequency: 50/60HZ Power: 5V2A ≤10W	



Certificate of Compliance

Certificate Number: ZKT-25070215184C

Certificate's Holder : Dongguan Yihong Hardware Electronics Co., Ltd
 Room 1106, No.2, Shangheng Road, Chang' an Town,
 Dongguan

Manufacturer : Dongguan Yihong Hardware Electronics Co., Ltd
 Room 1106, No.2, Shangheng Road, Chang' an Town,
 Dongguan

Trade Mark : N/A

Product : LED controller

Model(s) : YH-6183
 YH-252, YH-284, YH-290, YH-287, YH-358, YH-360, YH-6180,
 YH-6184

Requirement	Standard	Report No.
Art.3.1(a) Safety	BS EN IEC 62368-1:2024+A11:2024	ZKT-25070215185S
Art.3.1(a) Health	BS EN IEC 62311:2020 BS EN 50665:2017	ZKT-25070215184E-1
Art.3.1(b) EMC	ETSI EN 301 489-1 V2.2.3 (2019-11) ETSI EN 301 489-17 V3.3.0 (2024-07)	ZKT-25070215184E-2
Art.3.2 Radio	ETSI EN 300 328 V2.2.2 (2019-07)	ZKT-25070215184E-3

This Attestation of Compliance is issued on a voluntary basis for electrical equipment below the voltage limits of Radio Equipment Directive (RED) 2014/53/EU. The essential requirements are fulfilled accordingly based on the technical specifications applicable at the time of issuance.



This Certificate of Conformity is based on single evaluation of the submitted sample(s) of the above mentioned product. It does not imply an assessment of the whole product and relevant Directives to be observed.

Importer	COMHARBOR LIMITED	
Add	Unit C, Swift Point,Cosford Lane,Rugby,CV21 1PY,GB	
Emai/URL	harborcomhar@gmail.com	
Manufacturer	Guangdong Zhangong Electrical Technology Co. , Ltd	
Add	701,Building 29,zhifu Garden,Xingtan Town,ShundeDistrict,Foshan City	
Emai/URL	Chenweirong@zhangongsocket.com	
Product identification	202508	
Made in	China	
	COMHARBOR LIMITED Unit C, Swift Point, Cosford Lane,Rugby,CV211PY, GB harborcomhar@gmail.com	
		Product Name:Furniture socket Model:ZG-JJY-1UK to -8UK Rated voltage: 5V Rated frequency:50/60HZ Power:5V2A ≤10W

Shenzhen ZKT Technology Co., Ltd.

1/F, No. 101, Building B, No. 6, Tangwei Community Industrial Avenue,
Fuhai Street, Bao'an District, Shenzhen, China



Certificate of Compliance

Certificate Number: ZKT-250829L21269C

Certificate's Holder	: Guangdong Zhangong Electric Technology Co., LTD 701, Building 29, zhifuyuan Industrial Zone, Xingtan town, Shunde District, Foshan City, Guangdong Province
Manufacturer	: Guangdong Zhangong Electric Technology Co., LTD 701, Building 29, zhifuyuan Industrial Zone, Xingtan town, Shunde District, Foshan City, Guangdong Province
Trade Mark	: /
Product	: Furniture socket
Model(s)	: ZG-USB-5A ZG-JJY-1UK to-8UK
Test Standard	: BS EN 55032:2015 + A11:2020 BS EN 55035:2017 + A11:2020 BS EN IEC 61000-3-2:2019+A2:2024 BS EN 61000-3-3:2013+A2:2021

This certificate of compliance is issued according to the UK legislation: Electromagnetic Compatibility Regulations 2016 (S.I. 2016/1091), Referred to as the UK Electromagnetic Compatibility. It confirms that the listed product complies with all essential requirements of the Electromagnetic Compatibility Regulations 2016 and applies only to the sample and its technical documentation submitted to Guangdong Shenzhen ZKT Technology Co., Ltd. (ZKT) for testing. It is only valid in connection with the test report number: ZKT-250829L21269E. So ZKT here by acknowledges that the Manufacturer may issue a COC apply the UKCA marketing in according with United Kingdom Union Rules. After preparation of the necessary technical documentation (Which must be kept for up to 10 years after the product is placed on the GB market as well as the UK declaration of conformity, the required UKCA marking can be affixed on the product. Other relevant Regulations have to be observed.

**UK
CA**



This Certificate of Conformity is based on single evaluation of the submitted sample(s) of the above mentioned product. It does not imply an assessment of the whole product and relevant Directives to be observed.

Attestation of Compliance

Declaration No.: TMC210319128-E

Name and address of Applicant: **Shenzhen CWG Technology Co., Ltd**
5 / F, No.264 Baoshi East Road, Shiyan street, Bao'an District, Shenzhen,China
518108

Name and address of Manufacturer: **Shenzhen CWG Technology Co., Ltd**
5 / F, No.264 Baoshi East Road, Shiyan street, Bao'an District, Shenzhen,China
518108

Product name: **LED Strip**

Rated: DC12V
CWG-5050RGB-60D-12V, CWG-5050RGB-30D-12V , CWG-5050RGB-18D-12V,
CWG-5050RGB-60D-24V, CWG-5050RGB-60D-5V, CWG-5050RGB-30D-5V,
CWG-5050RGB-18D-5V, CWG-5050-60D-12V, CWG-5050-30D-12V,
CWG-5050-60D-24V, CWG-HC5050RGB-60D-12V,
CWG-HC5050RGB-30D-12V, CWG-HC5050RGB-60D-24V,
Product model(s): CWG-HC5050-60D-12V, CWG-HC5050-30D-12V, CWG-HC5050-60D-24V,
CWG-HC5050RGB-30D-5V, CWG-HC5050RGB-60D-5V,
CWG-HC5050RGB-144D-5V, CWG-2835-60D-12V, CWG-2835-120D-12V,
CWG-2835-60D-24V, CWG-2835-120D-24V, CWG-2835-60D-5V,
CWG-2835-120D-5V

Product trademark: 创唯光

This Attestation of Compliance confirms that the product meets the requirements of the following standard.

BS EN IEC 55015:2019+A11:2020

IEC 61547:2020

The Attestation of Compliance has been carried out in accordance with individual rules and conditions agreed with the applicant. Evaluation has been carried out in accordance with:

Test report(s) No.: TMC210319128-E

Test conducted by: TMC Testing Services (Shenzhen) Co., Ltd.

Declaration issue date: March 26, 2021

Notes:

This Attestation of Compliance is issued according to the Great Britain legislation Electromagnetic Compatibility Regulations 2016 It confirms that the listed products complies with all essential requirements of the Regulations and applies only to the sample and its technical documentation to TMC Testing Services (Shenzhen) Co., Ltd. for testing.

After preparation of the necessary technical documentation (which must be kept for up to 10 years after the product is placed on the GB market) as well as the UK Declaration of Conformity, the required UKCA marking can be affixed on the product. Other relevant Regulations have to be observed.

TMC Testing Services (Shenzhen) Co., Ltd.

t:86-755-86642861 cert@tmc-lab.com www.tmc-lab.com

1st Floor, Block A1, Zone A, Xinshidai Gongrong Industrial Park, No. 2, Shihuan Road, Shiyan Street, Baoan District, Shenzhen, China



**UK
CA**