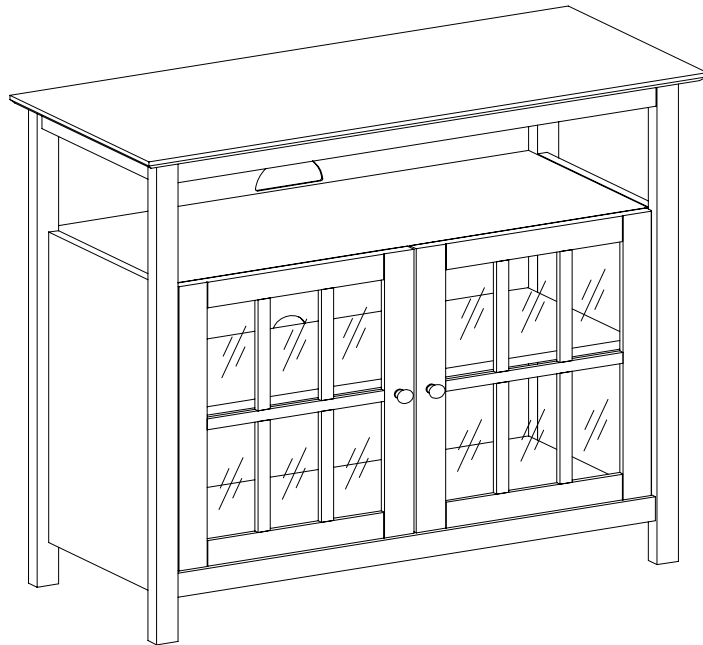




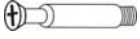
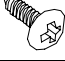

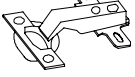







HIGH BOY TV STAND

42" Maximum Flat Panel Television

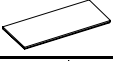

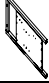

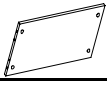
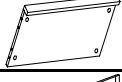



100 lb. Maximum Capacity



HARDWARE LIST

| CODE | NAME | FIGURE | Q'TY |
|------|----------------------------|---|-------|
| A | WOOD DOWEL (Φ8X30mmL) |  | 14PCS |
| B | CAM LOCK (Φ15*9mmL) |  | 14PCS |
| C | CAM BOLT (Φ6.5*35mmL) |  | 14PCS |
| D | SMALL SCREW (Φ7*14mmL) |  | 24PCS |
| E | MEDIUM SCREW (Φ7*16mmL) |  | 16PCS |
| F | DOOR HINGE |  | 4PCS |
| G | KNOB |  | 2PCS |
| H | KNOB SCREW (Φ4*20mmL) |  | 2PCS |
| I | SHELF SUPPORT |  | 4PCS |
| J | WIRE CAP |  | 1PC |
| K | COLOR STICK |  | 1PC |
| L | WOOD GLUE |  | 1PC |
| M | ALEN WRENCH |  | 1PC |

PARTS LIST

| CODE | NAME | FIGURE | Q'TY |
|------|---------------------|---|------|
| ① | TOP PANEL |  | 1PC |
| ② | LEFT SIDE PANEL |  | 1PC |
| ③ | RIGHT SIDE PANEL |  | 1PC |
| ④ | FRONT CROSSBAR |  | 1PC |
| ⑤ | MIDDLE PANEL |  | 1PC |
| ⑥ | BOTTOM PANEL |  | 1PC |
| ⑦ | DOOR |  | 2PCS |
| ⑧ | ADJUSTABLE SHELF |  | 1PC |
| ⑨ | BACK PANEL |  | 1PC |

STEP 1

HARDWARE
NEEDED

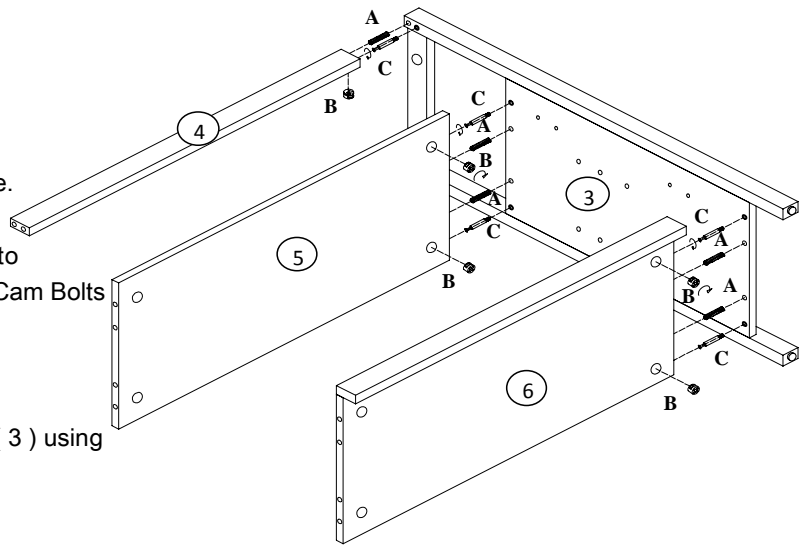
| |
|-------|
| A x 5 |
| B x 5 |
| C x 5 |

1.) Assemble unit laying on its side, on a soft surface.

2.) Attach Bottom Panel (6) and Middle Panel (5) to Right Side Panel (3) using Wood Dowels (A), Cam Bolts (C), and Cam Locks (B) as shown.

** Refer to Camlock Assembly Below**

3.) Attach Front Cross Bar (4) to Right Side Panel (3) using care not to bend.

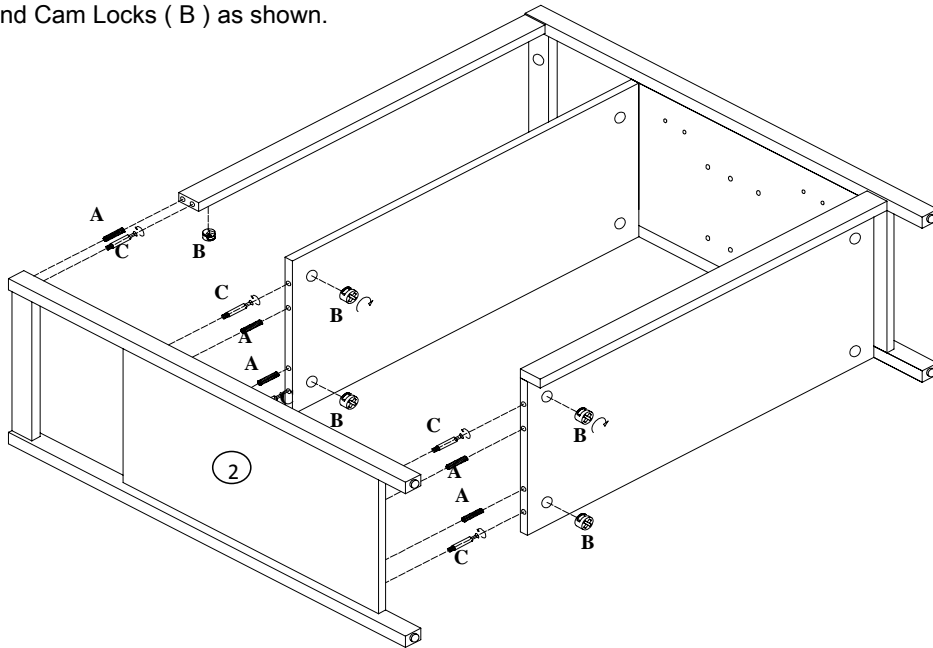


STEP 2

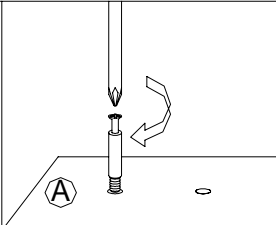
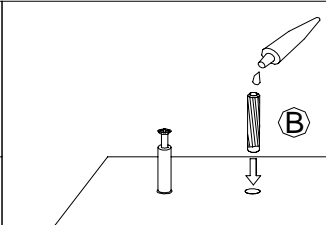
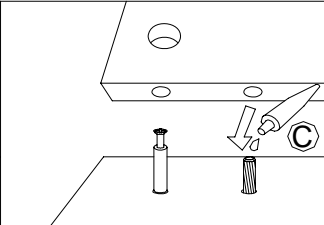
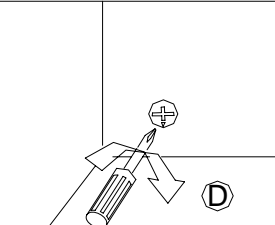
HARDWARE
NEEDED

| |
|-------|
| A x 5 |
| B x 5 |
| C x 5 |

1.) Attach Left Side Panel (2) to Assembly using Wood Dowels (A), Cam Bolts (C), and Cam Locks (B) as shown.

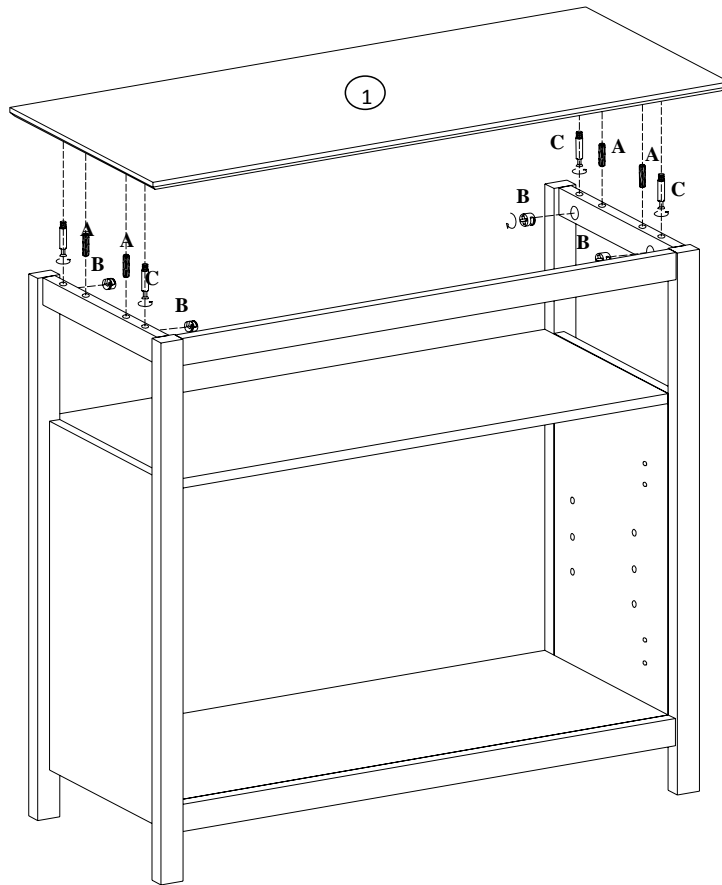


Assembling the unit with cam and wood dowels.

| | | | |
|---|---|--|---|
|  |  |  |  |
| Gently screw cam dowel into the threaded anchor. | Lightly glue one end of the wood dowel and tap halfway into hole. Add 2nd drop of glue to top of dowel. | Connect to second panel by inserting dowels into holes. | Insert cam lock with arrow pointing down. Screw the cam firmly into locked position. |

STEP 3HARDWARE
NEEDED

| |
|--------------|
| A x 4 |
| B x 4 |
| C x 4 |

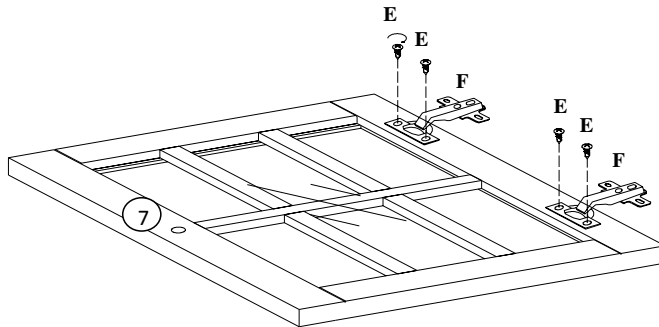


- 1.) Place unit upright and attach Top Panel (1) using Wood Dowels (A), Cam Bolts (C), and Cam Locks (B) as shown.

STEP 4HARDWARE
NEEDED

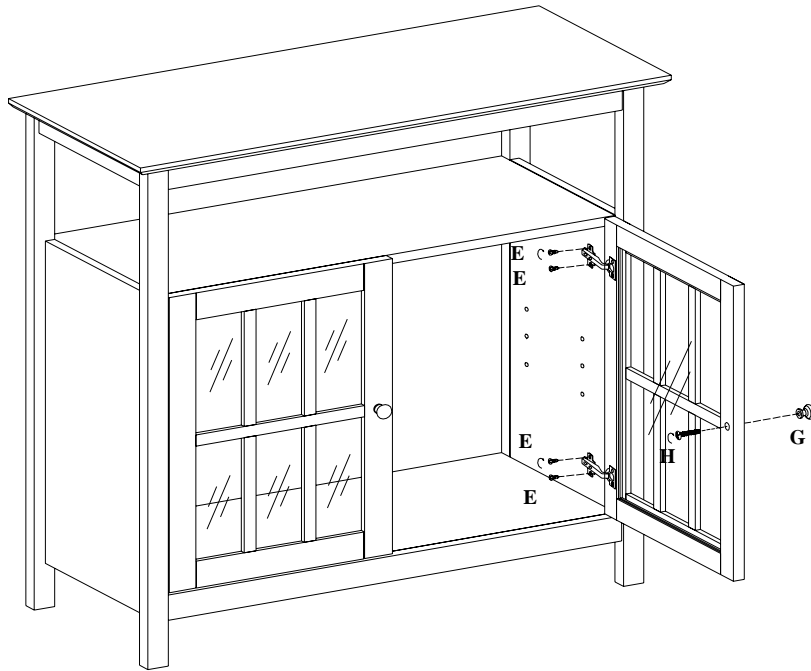
| |
|--------------|
| E x 8 |
| F x 4 |

- 1.) Attach Door Hinges (F) to Doors (7) using Medium Screws (E). Use care not to over tighten.



STEP 5

| | |
|----------|--------------|
| HARDWARE | E x 8 |
| NEEDED | G x 2 |
| | H x 2 |



1.) Attach Doors (7) to unit using Medium Screws (E).

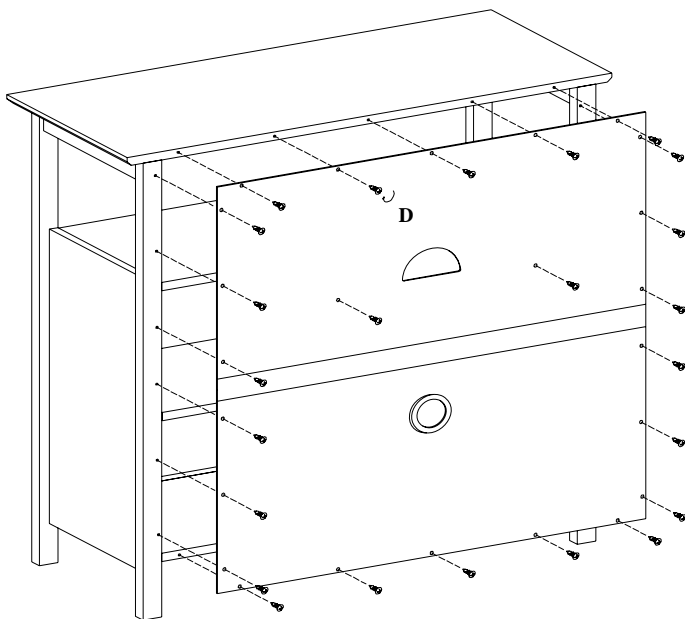
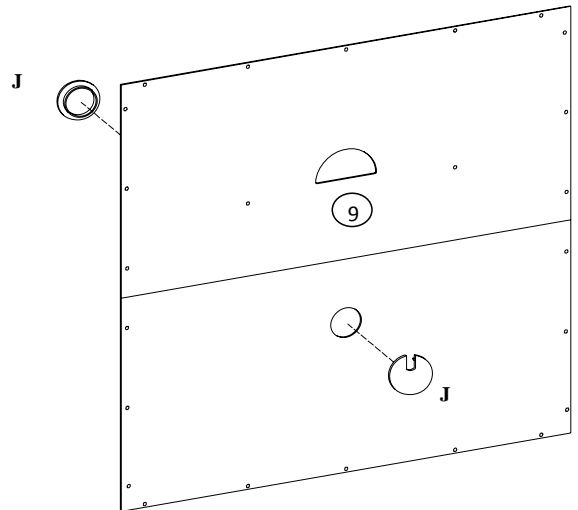
2.) Attach Knobs (G) to Doors using Knob Screws (H).

**After Final Assembly, Adjust Hinge Screws for Better Alignment **

STEP 6

| | |
|----------|--------------|
| HARDWARE | J x 1 |
| NEEDED | |

- 1.) Carefully pull apart Wire Cap (J) into Two pieces if needed.
- 2.) Align each half of the Wire Cap with pre-cut openings in both sides of Back Panel (9). Firmly push together until snapped into place.

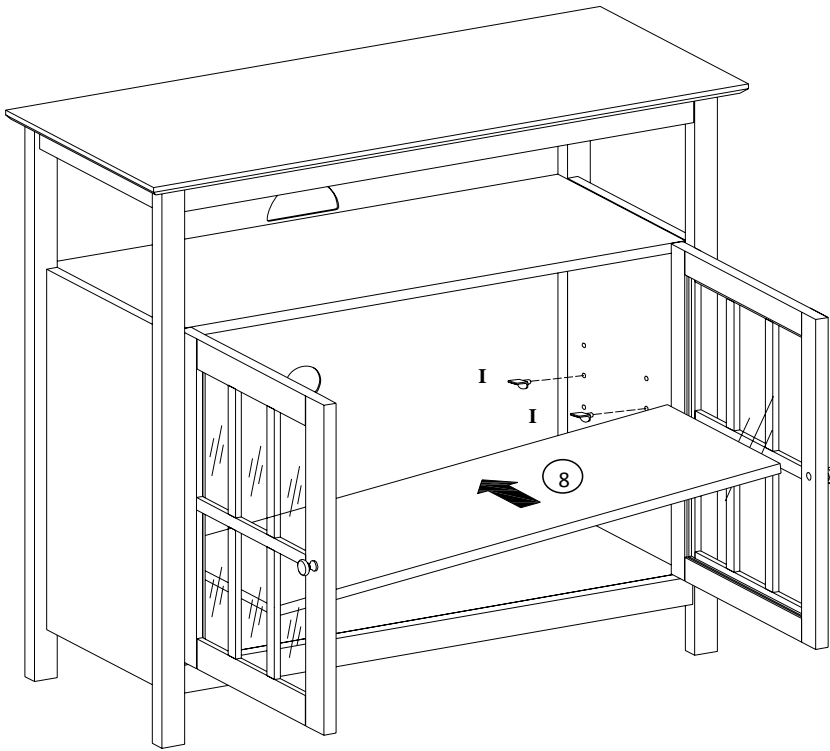


STEP 7

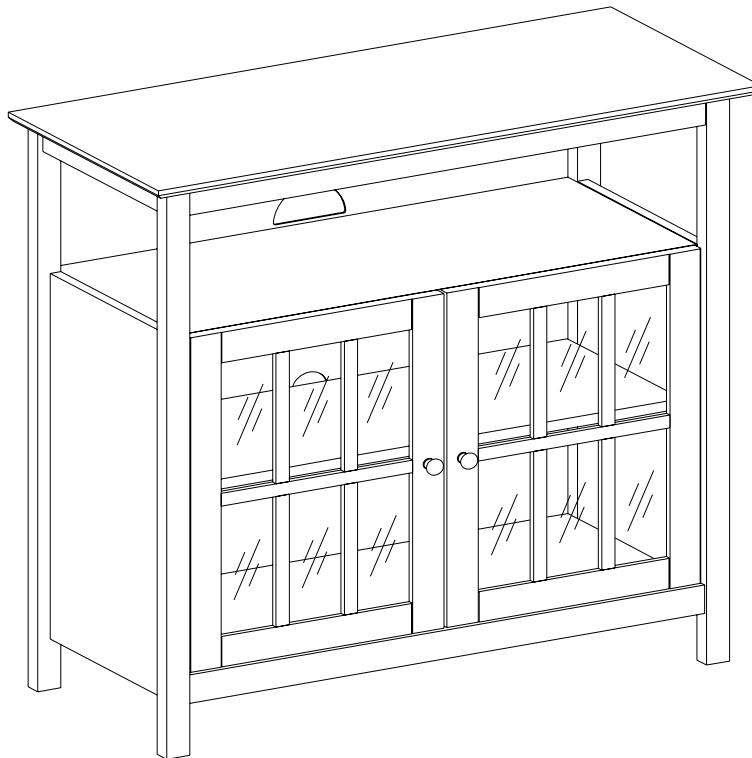
| | |
|----------|---------------|
| HARDWARE | D x 24 |
| NEEDED | |

- 1.) Attach Back Panel (9) to unit by using Small Screws (D).

STEP 8 **HARDWARE** **I x 4**
NEEDED



- 1.) Insert Shelf Supports (I) into desired position holes in side panels.
- 2.) On a slight angle, carefully slide Adjustable Shelf (8) into unit and on top of Shelf Supports (I).



Enjoy your new piece of Quality Furniture!