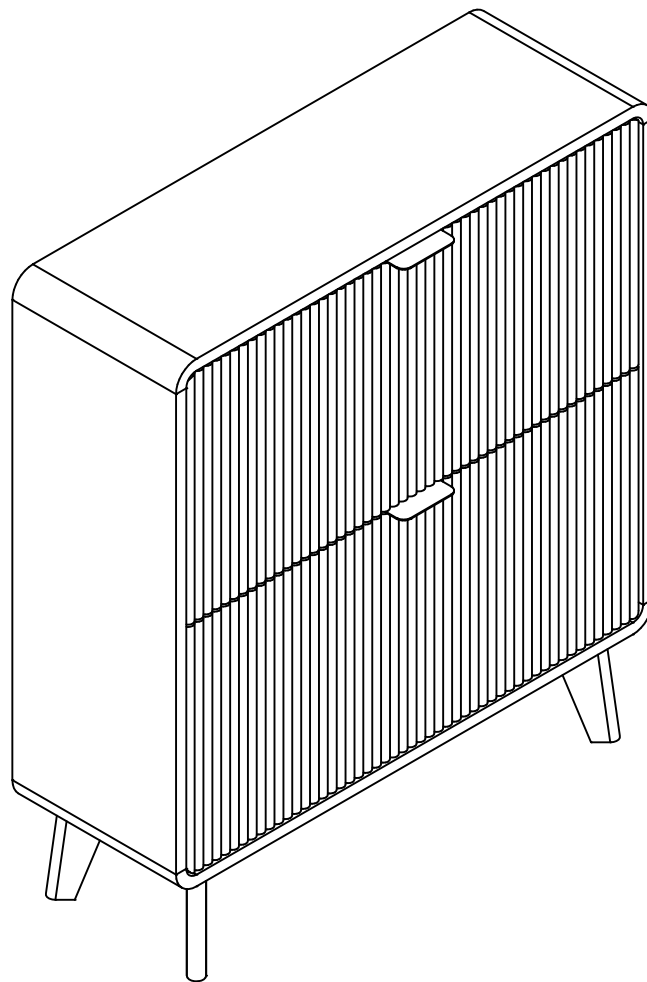


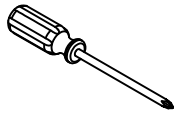
Installation Instruction



Assembling

What you need

- Use the packaging carton as a working surface to prevent product damage during assembly
- Phillips head screwdriver



Weight Limitation

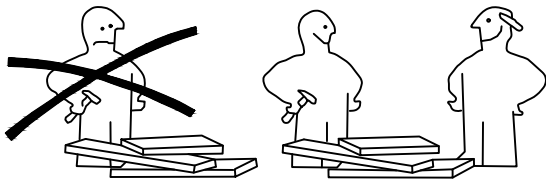


100

lbs table top

| 35

lbs per

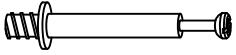


What' included

Code	Description	Qty
A	Cam Bolt M6X35MM	20
B	Cam Lock 15X12MM	20
C	Wooden Dowel M7.8X30MM	16
D	Screw M7X40MM	4
E	The screw M3.5X16MM	26
F	Hole position sticker	20
G	Stopper	4
H	External Shaft	4
I	Screw M4X40MM	2
J	Metal connector	2
K	Screw M3.0X14MM	4
L	Left Plastic Holder	2
M	Metal shake handhandle	2
N	The screw M6X15MM	4
O	Anchor	2
P	Wrench M4X55MM	1
R	Right Plastic Holder	2
Q	MATS	4

The Hardwares

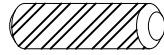
(A)



(B)



(C)



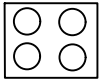
(D)



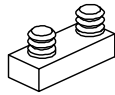
(E)



(F)



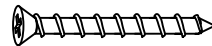
(G)



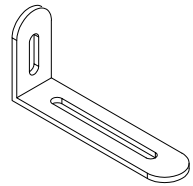
(H)



(I)



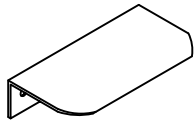
(J)



(K)



(M)



(N)



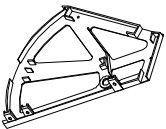
(O)



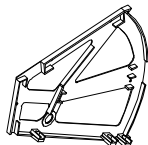
(P)



(L)



(R)



(Q)



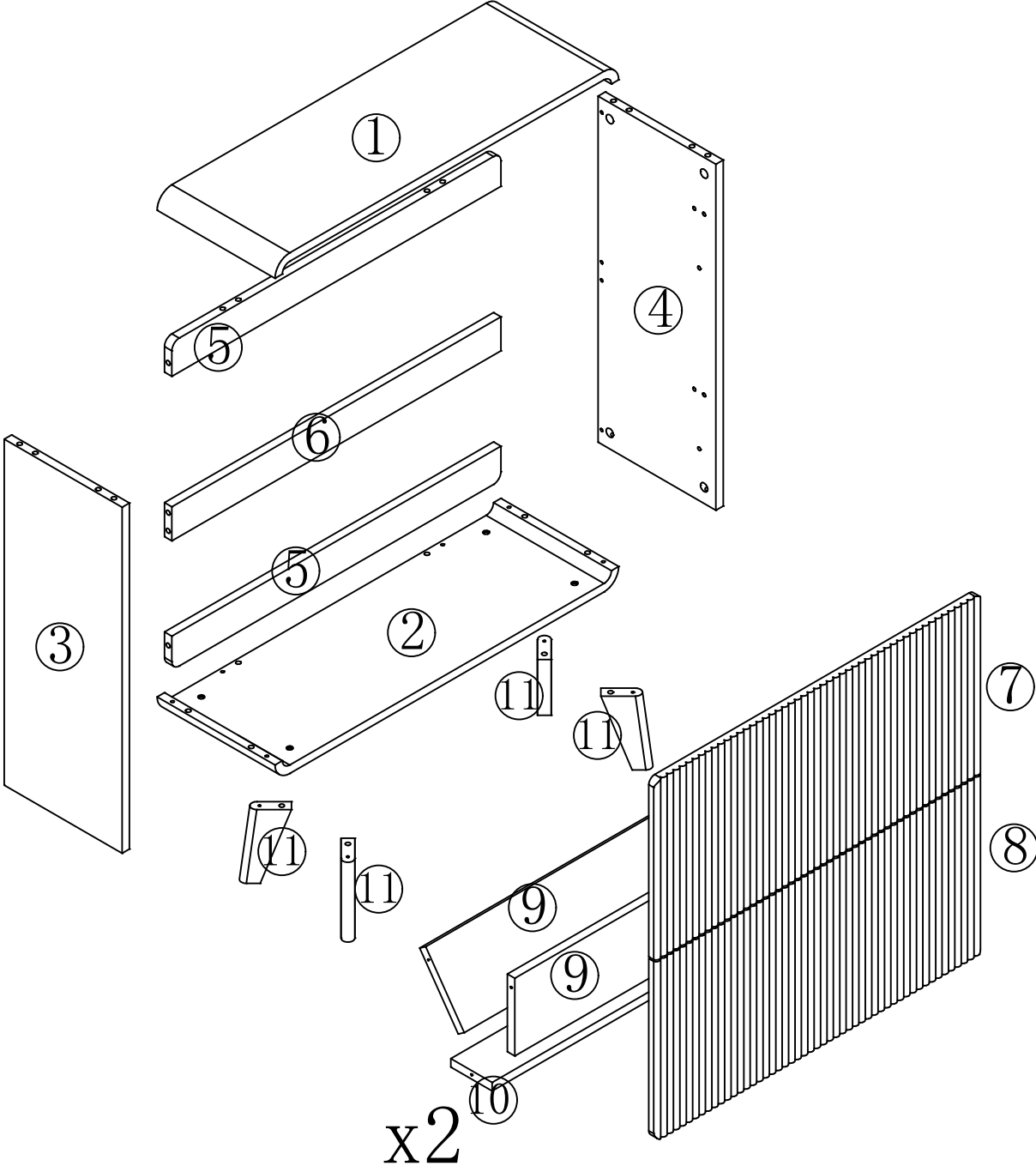
IMPORTANT:

1. Do not tighten bolts / screws completely until all bolts / screws are lined up and inserted into holes.
2. Do not over tighten screws and bolts to avoid stripping
3. Please use hand tools to assemble this product, you can also use power tools (please use power tools carefully).

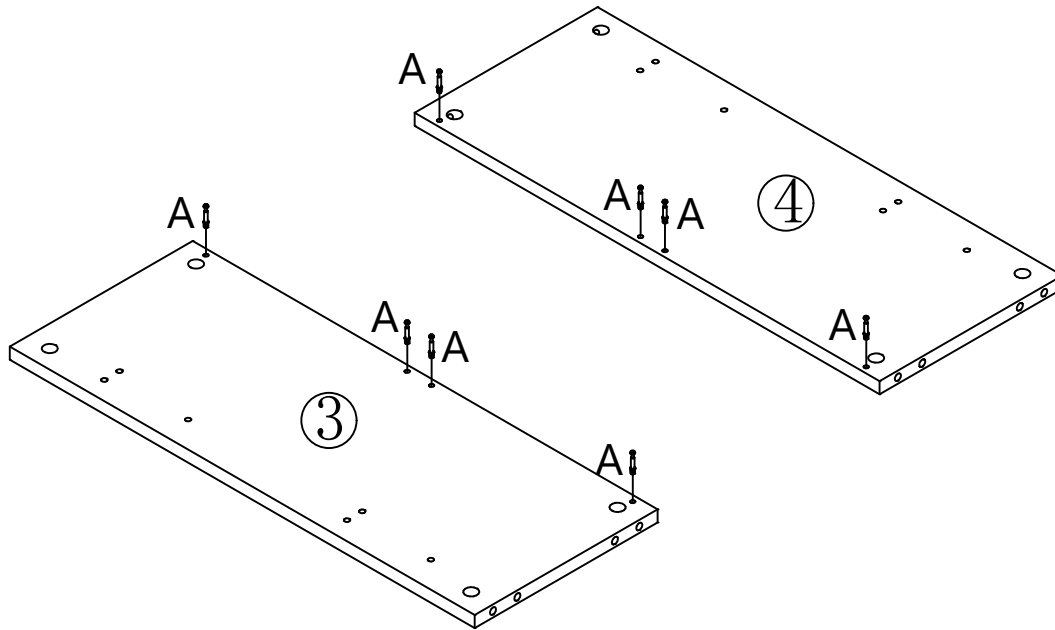
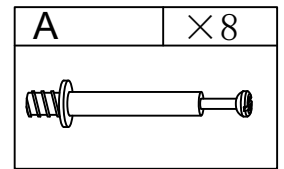
Included Accessories

Code	Description	Qty
1	Cabinet Top	1
2	Bottom Panel	1
3	Left Side Panel	1
4	Right Side Panel	1
5	Back stiffener	2
6	Back stiffener	1
7	Upper door panel	1
8	Lower door panel	1
9	Large inner plate	4
10	Inner lamella	2
11	Supporting foot	4

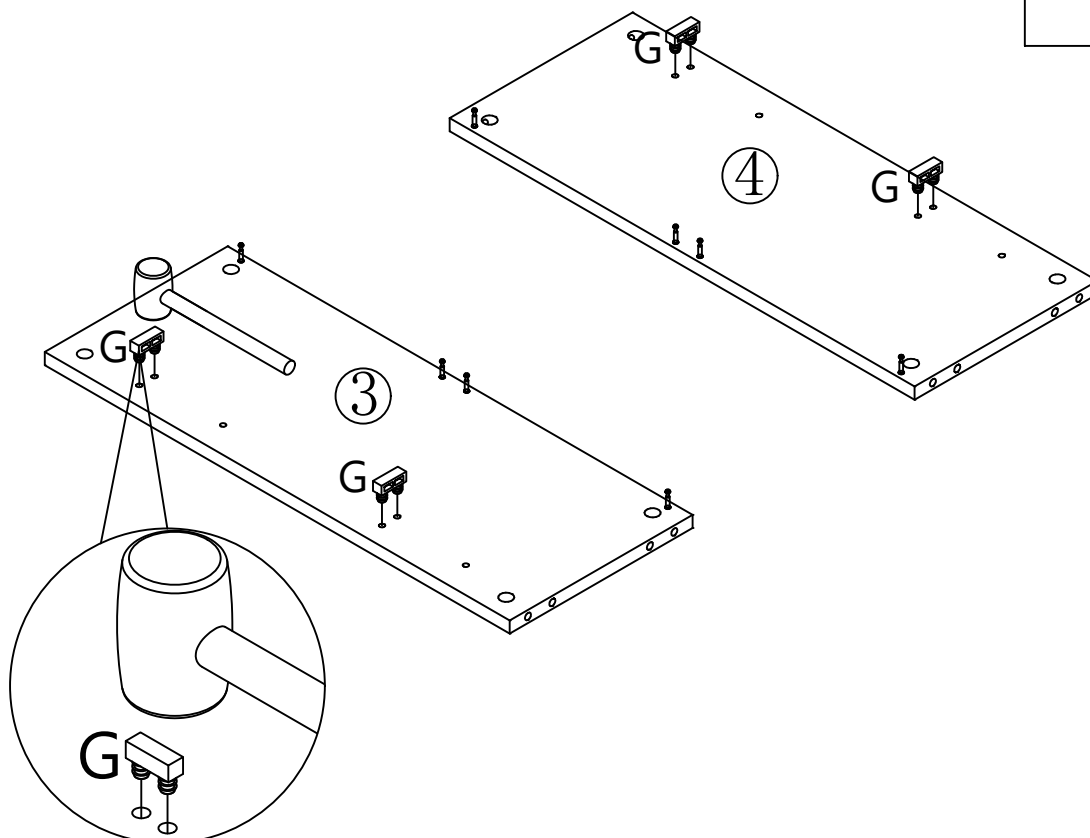
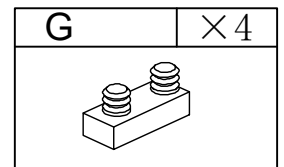
The Accessoriess



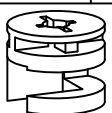
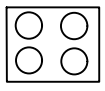
Step 1

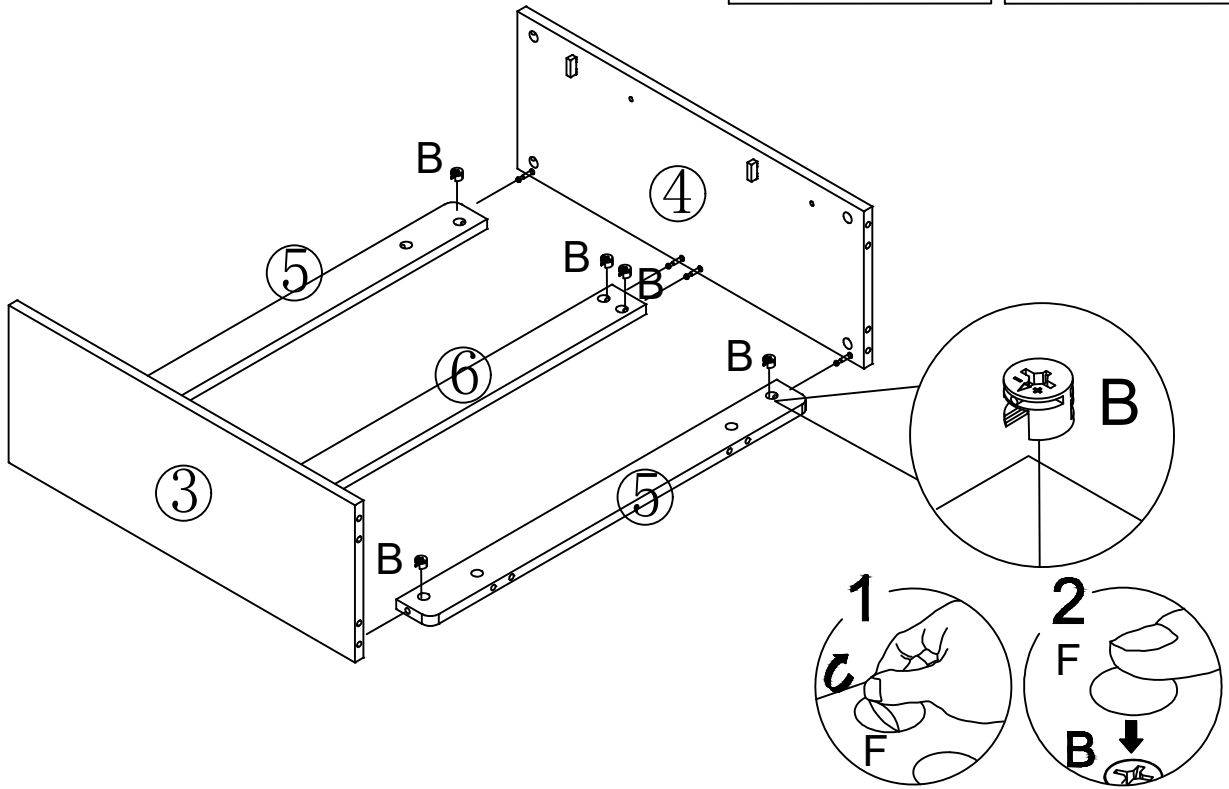


Step 2

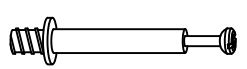


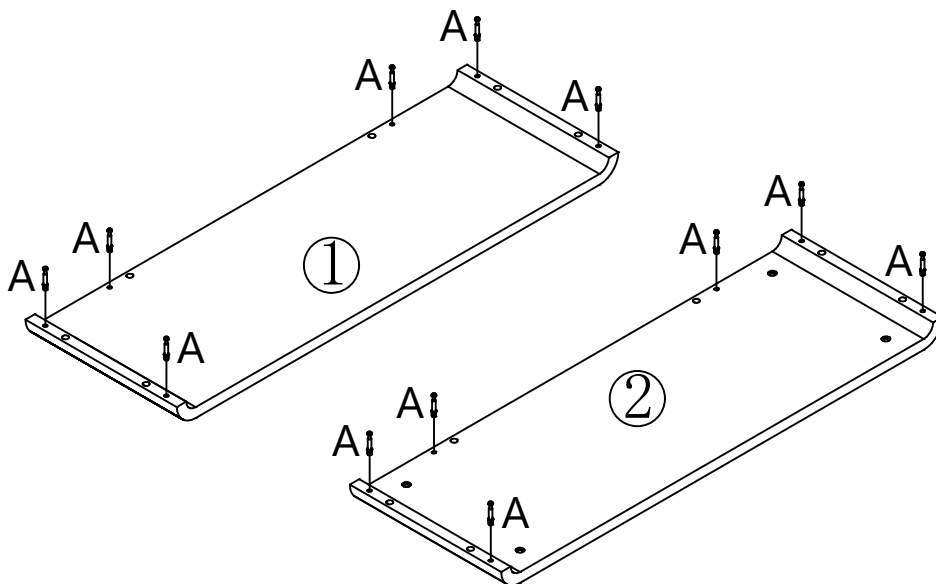
Step 3

B	×8	F	×8
			

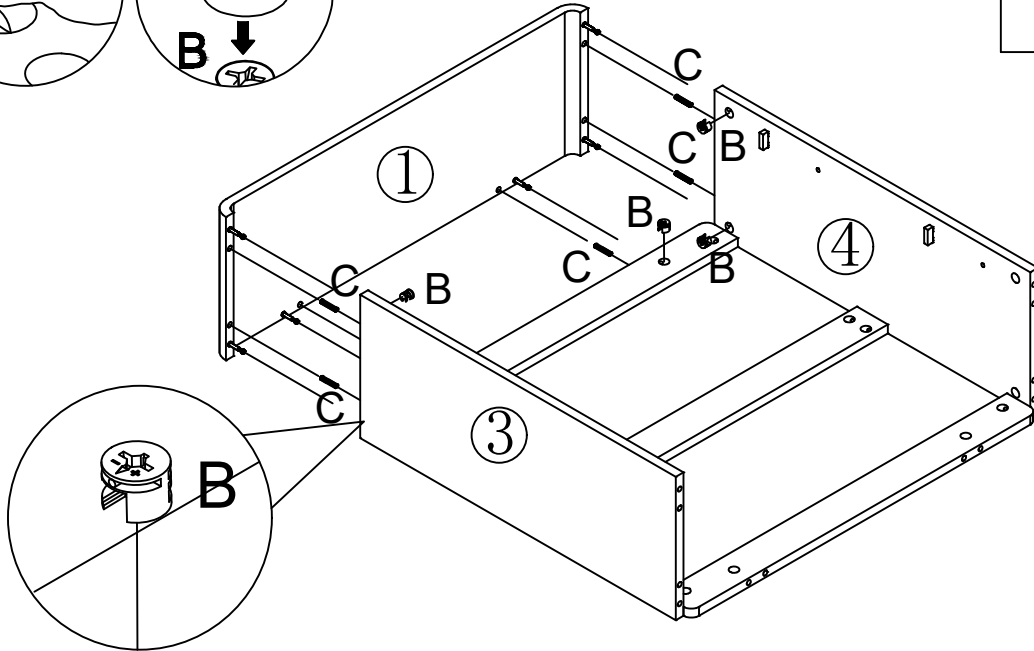
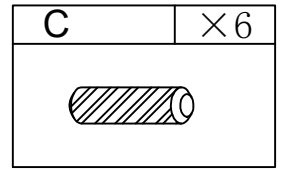
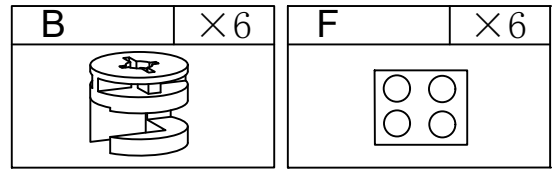
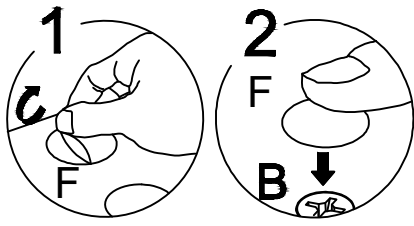


Step 4

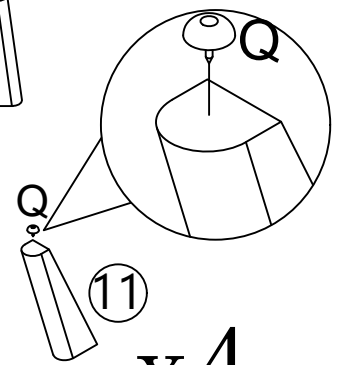
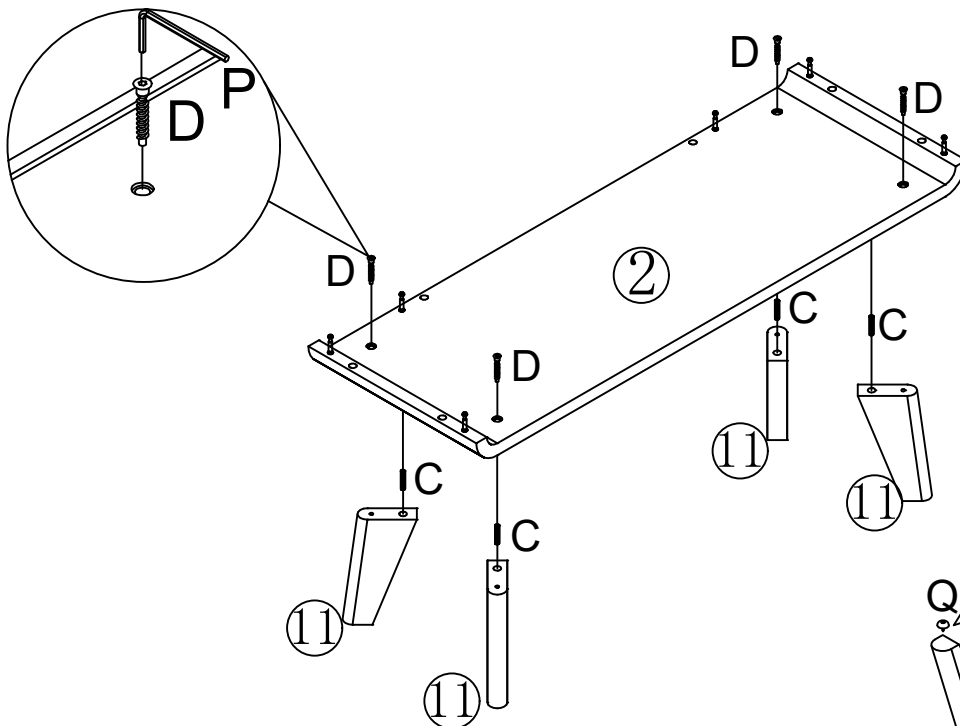
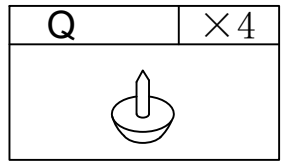
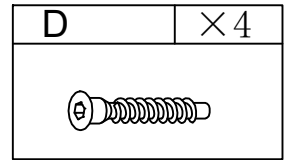
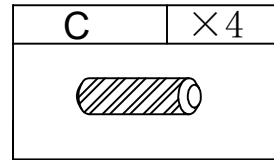
A	×12
	



Step 5



Step 6

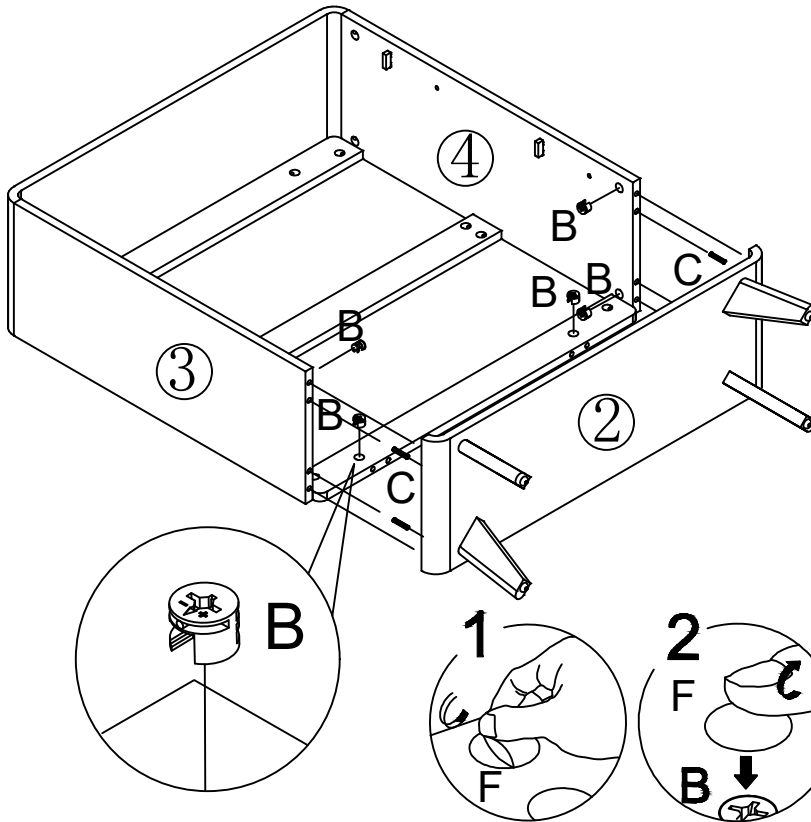


x4

Step 7

B	×6	F	×6

C	×6

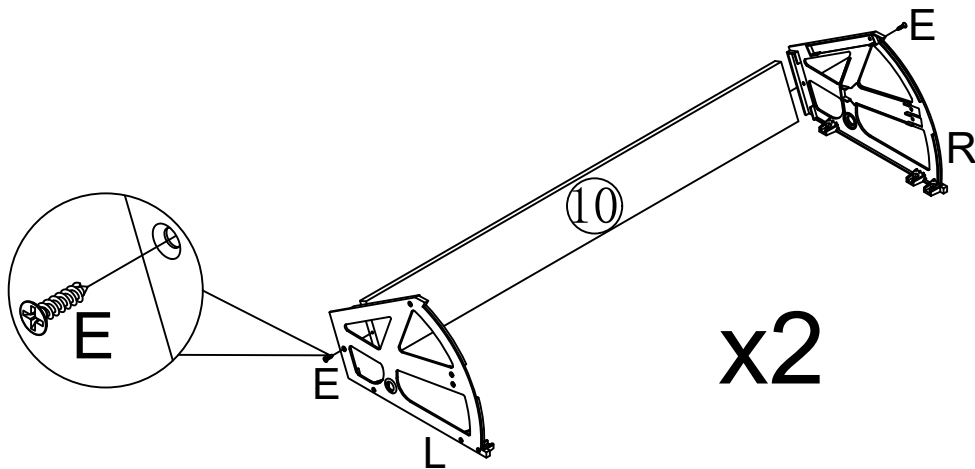


Step 8


L	×2

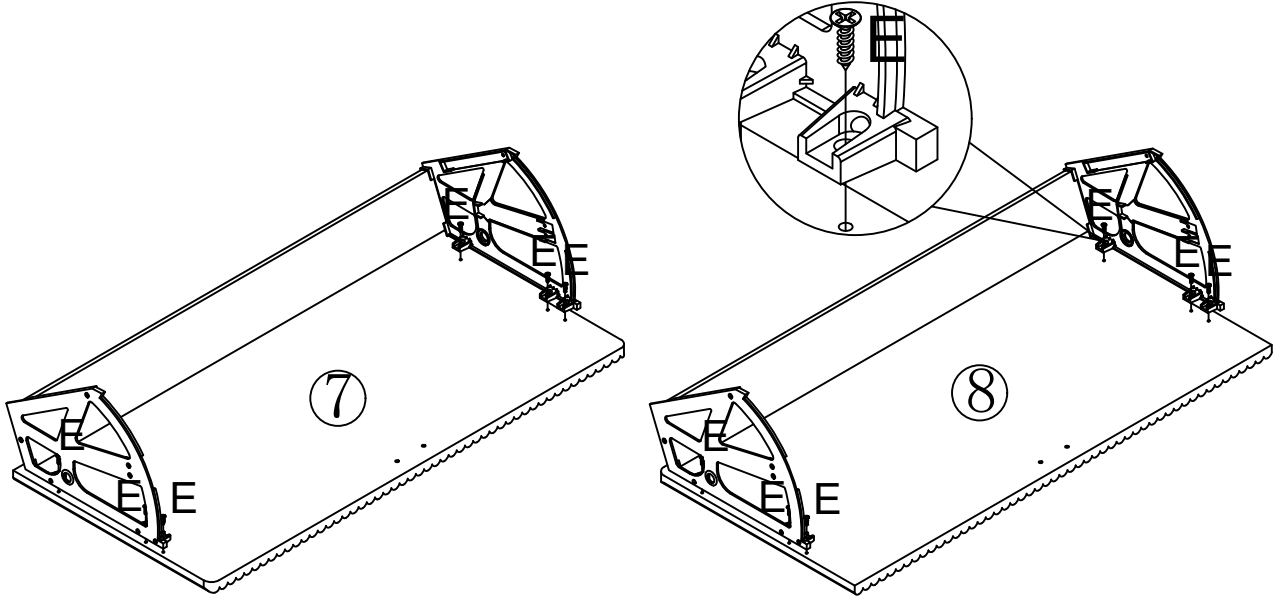
R	×2

E	×4




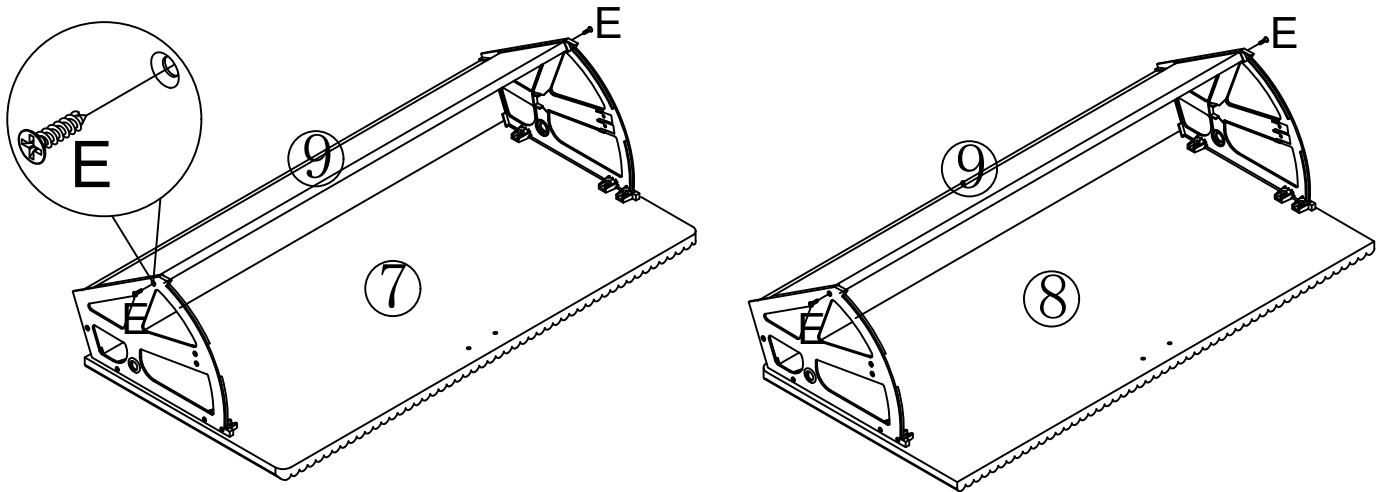
Step 9

E	×12
	


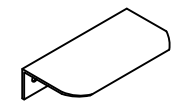


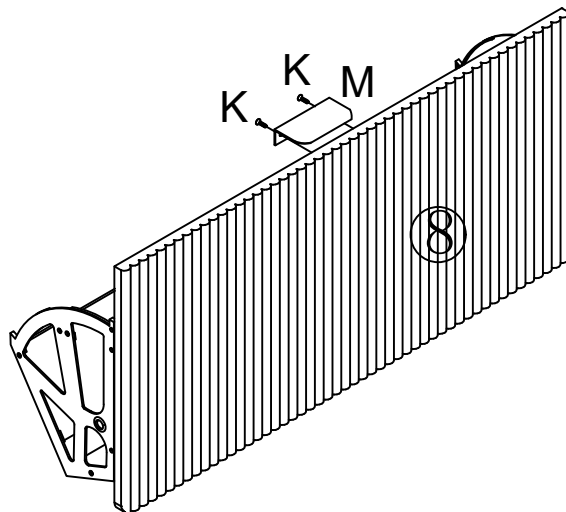
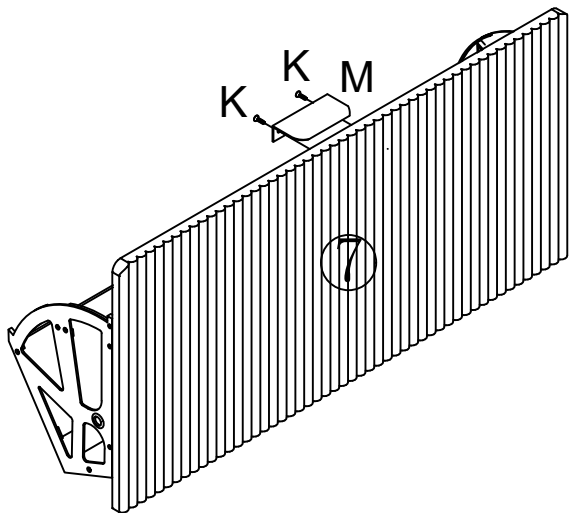
Step 10

E	×4
	

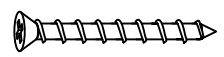

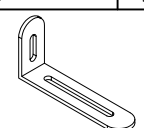


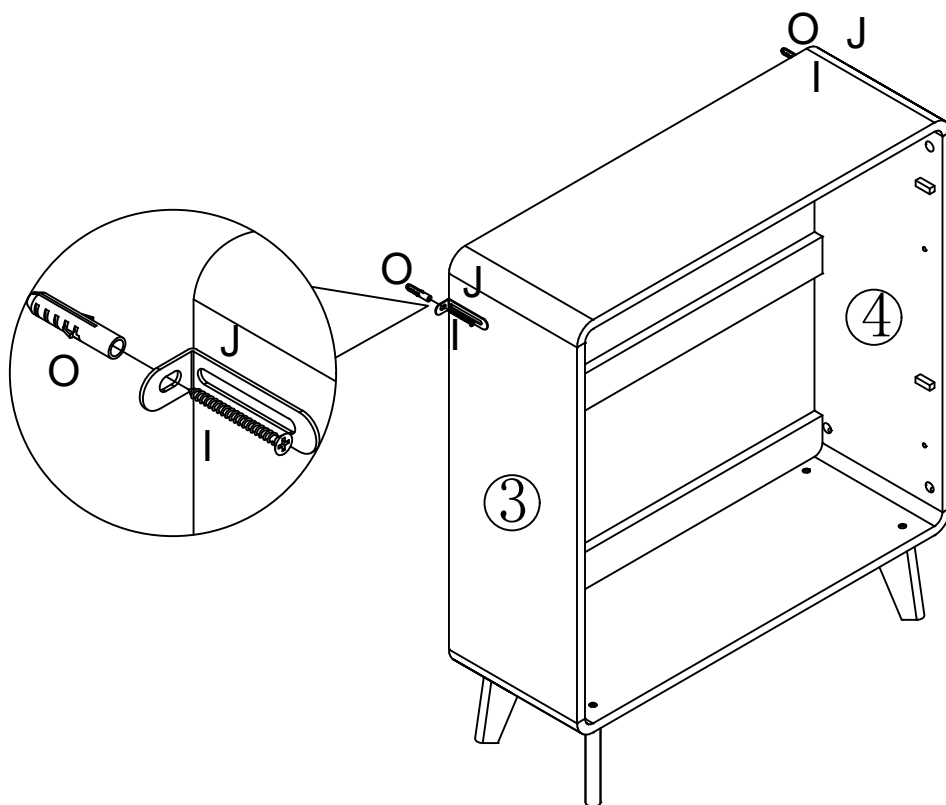
Step 11

K	×4	M	×2
			

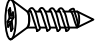


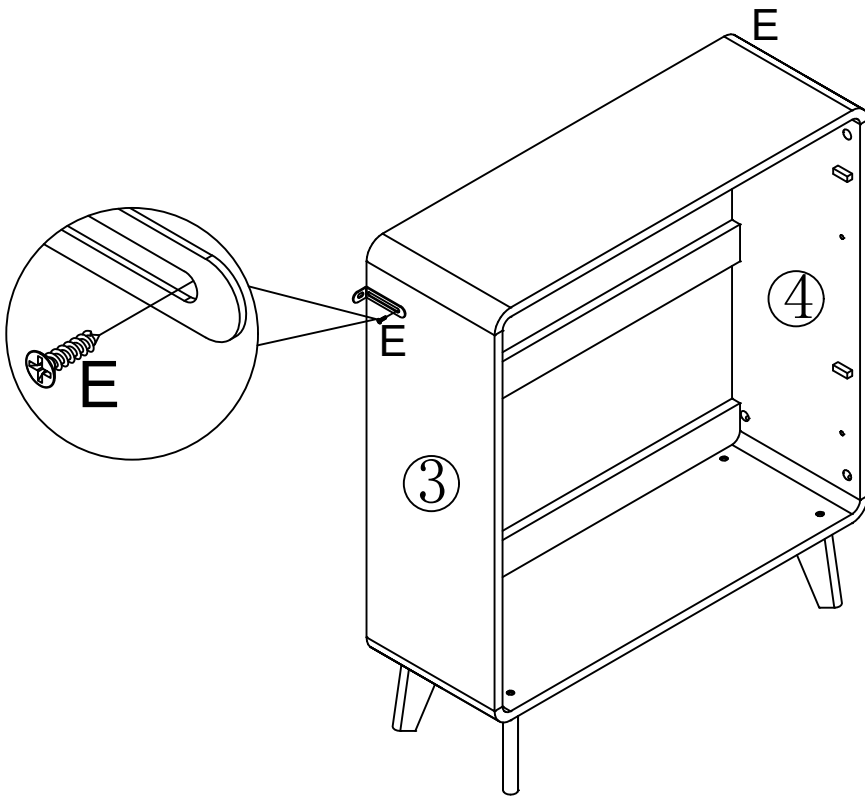
Step 12

I	×2
	
O	×2
	
J	×2
	





Step 13


E	×2
	

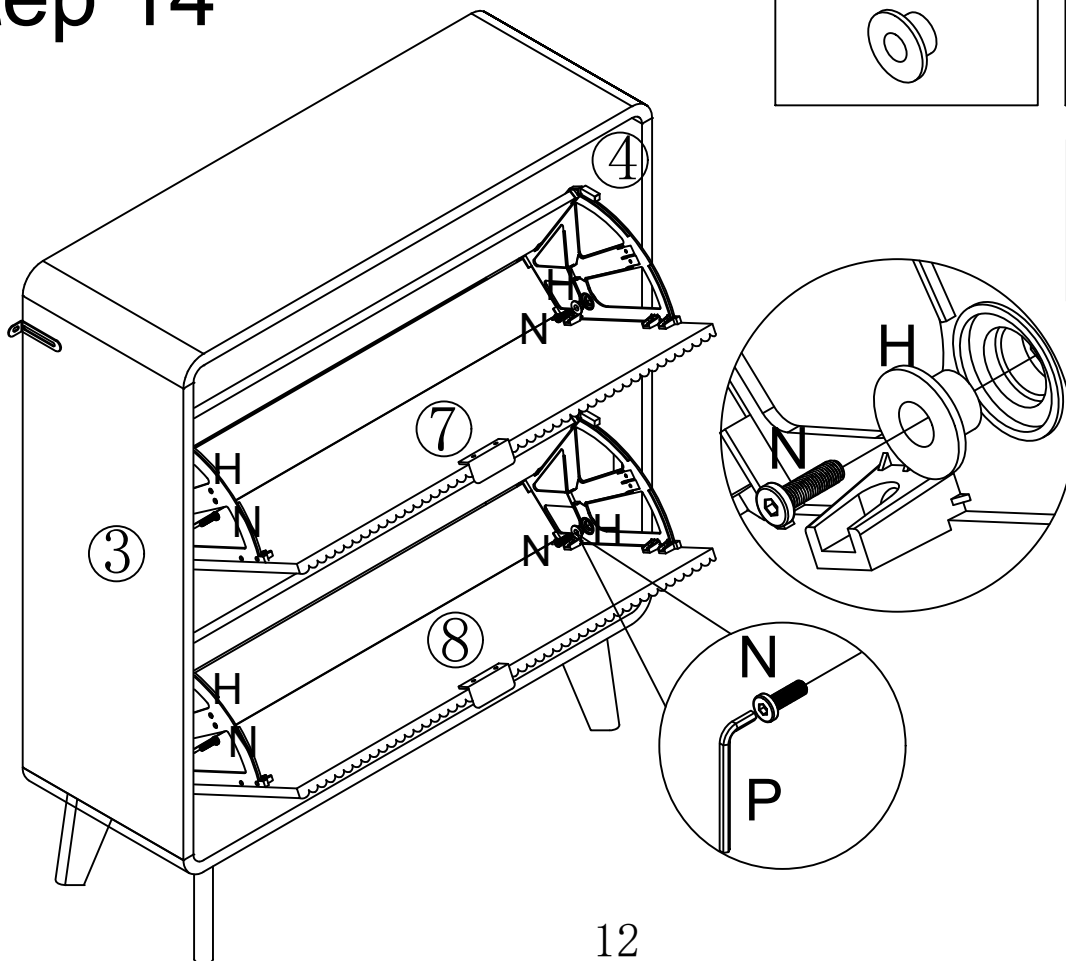


Step 14

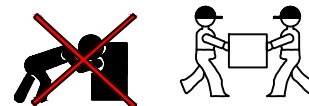
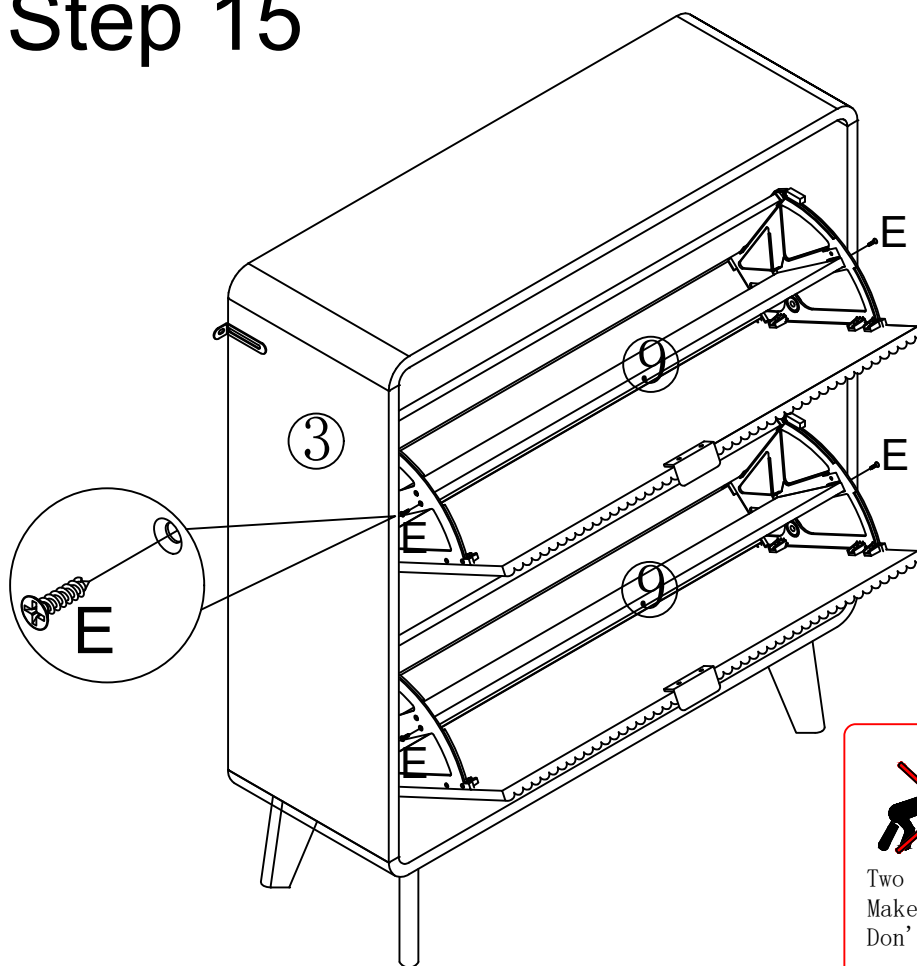
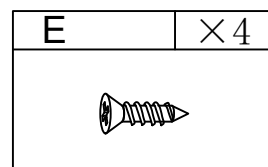
H	×4
	

N	×4
	

P	×1
	



Step 15



Two people work together to move the table.
Make sure you lift it off the ground.
Don't push and pull.