

A	x13
M6*35mm	

B	x13
ø15mm	

C	x14
M7*50mm	

D	x16
ø8*30mm	

E	x6
M6*30mm	

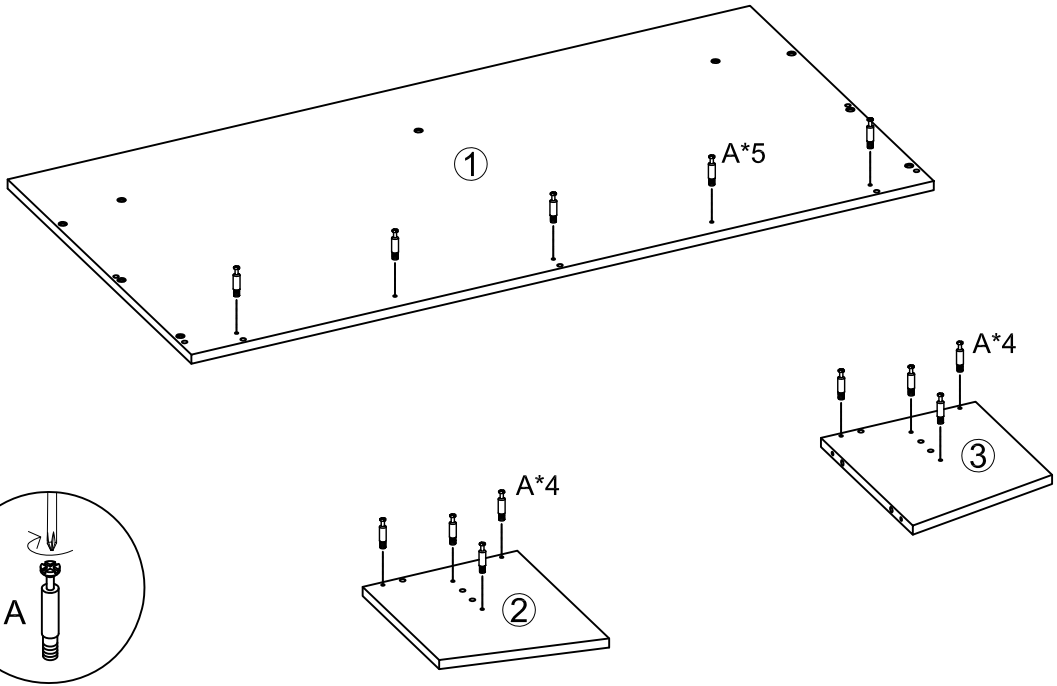
F	x4
M6*40mm	

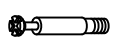
G	x3
M6*50mm	

H	x1
M4	

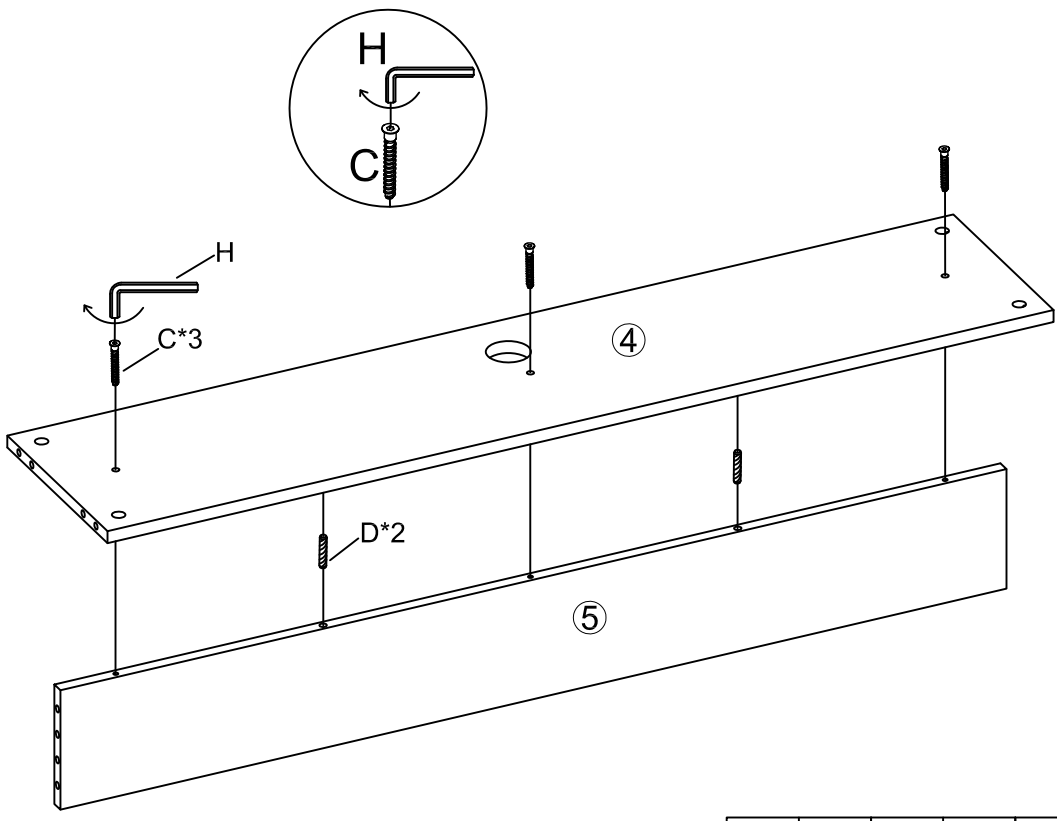
I	x4


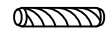

1



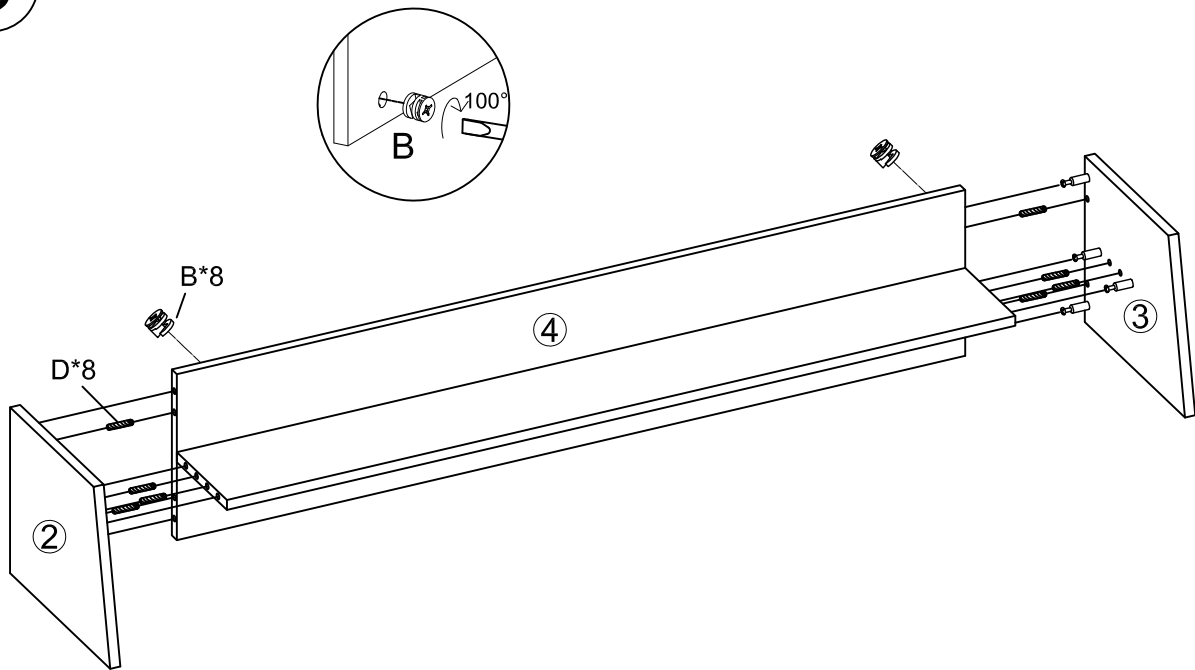
A	x13
	
M6*35mm	



2



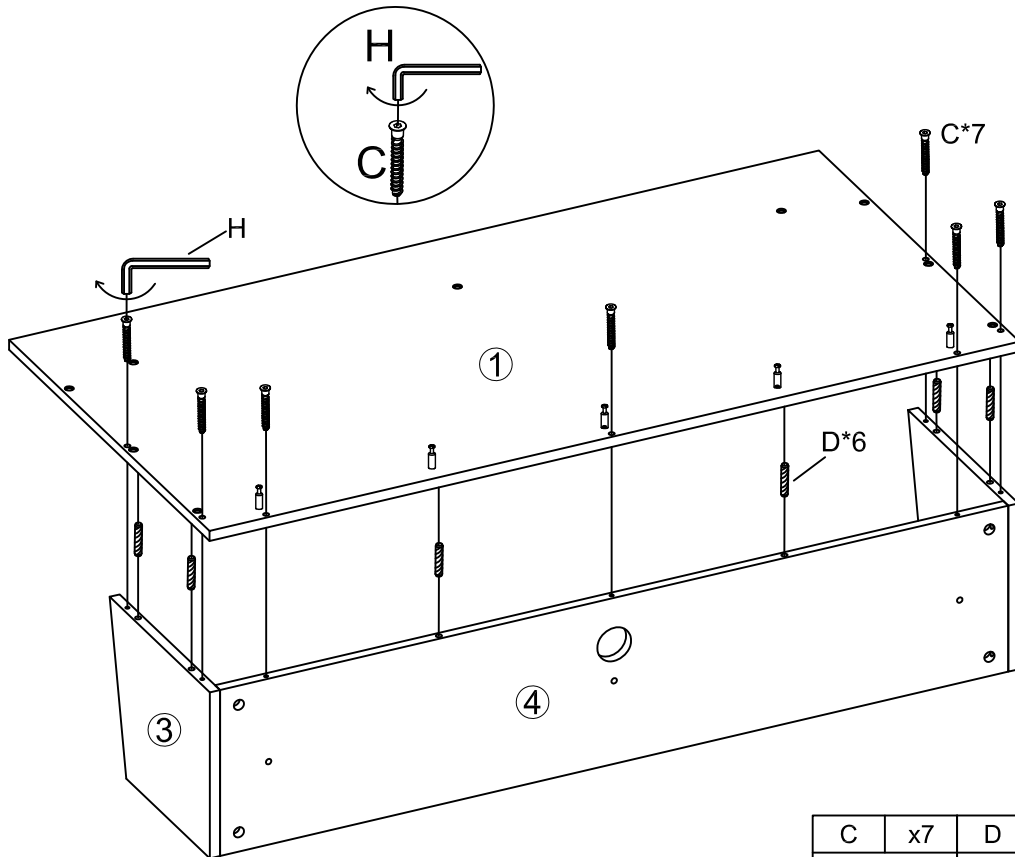
C	x3	D	x2	H	x1
					
M7*50mm		ø8*30mm		M4	


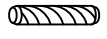

3



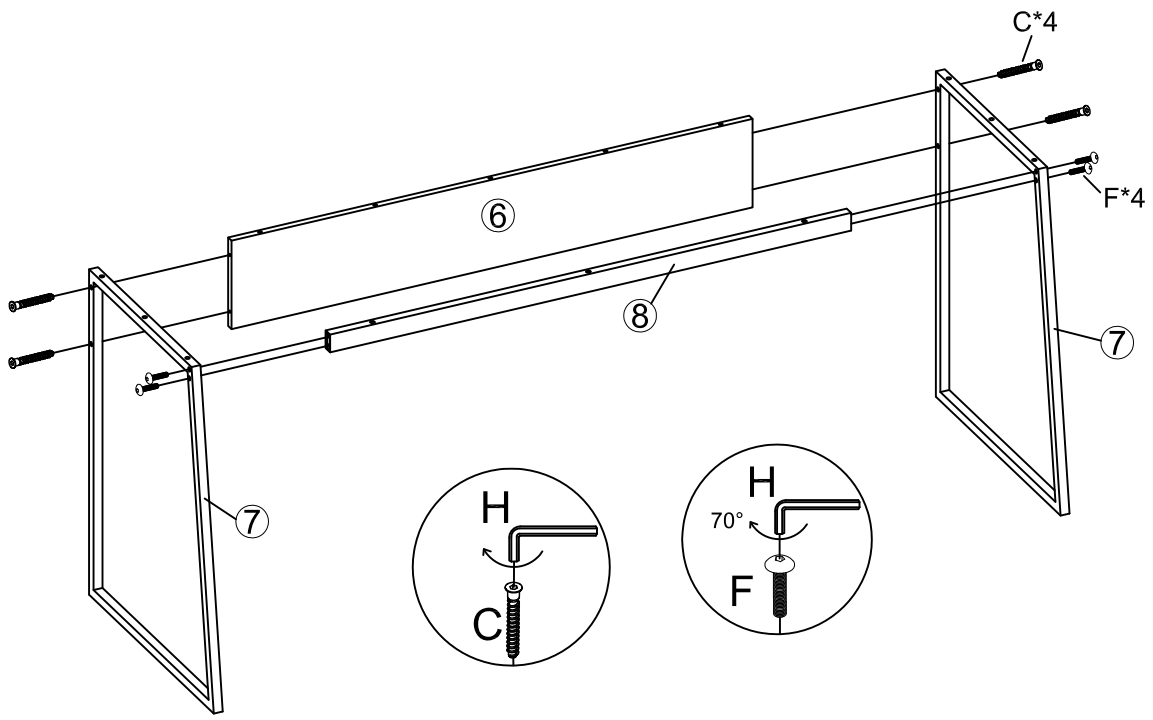
B	x8	D	x8
			
φ15mm		φ8*30mm	

4



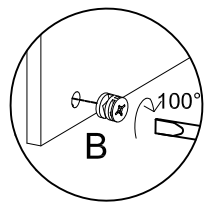
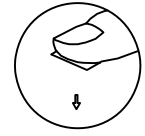
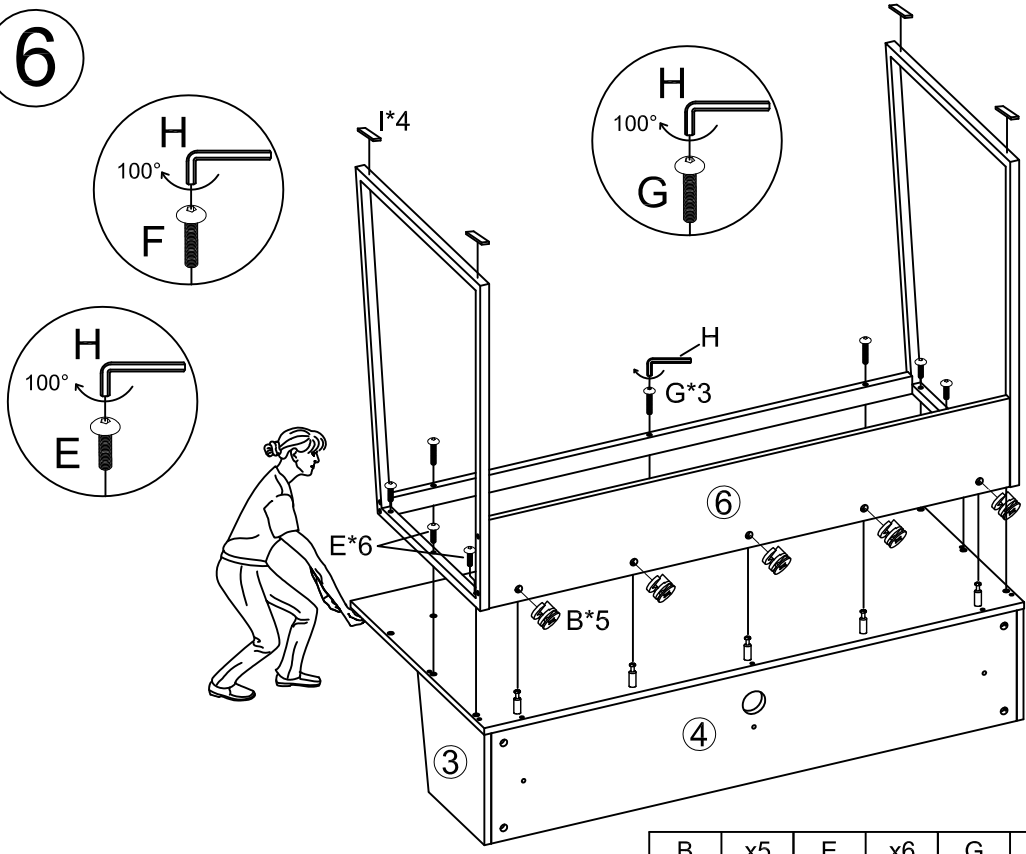
C	x7	D	x6	H	x1
					
M7*50mm		φ8*30mm		M4	

5



C	x4	F	x4	H	x1
M7*50mm		M6*40mm		M4	

6



B	x5	E	x6	G	x3	H	x1	I	x4
φ15mm		M6*30mm		M6*50mm		M4			