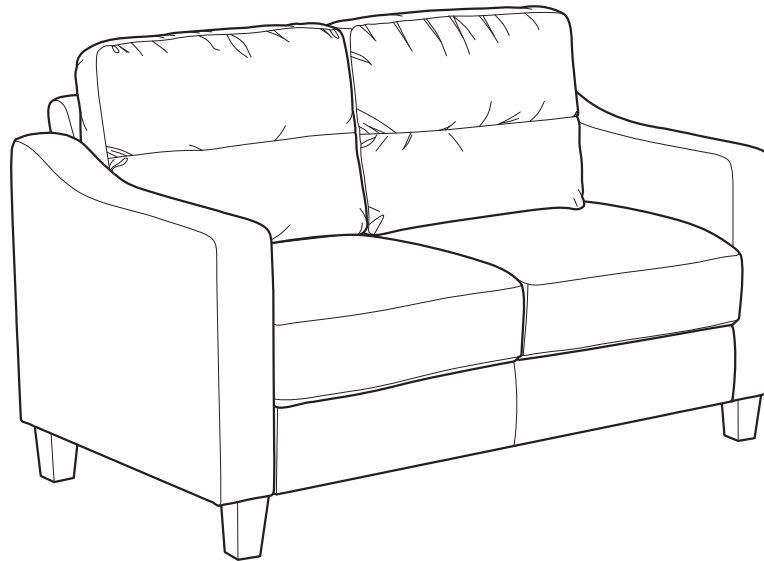


HEATHER LOVESEAT

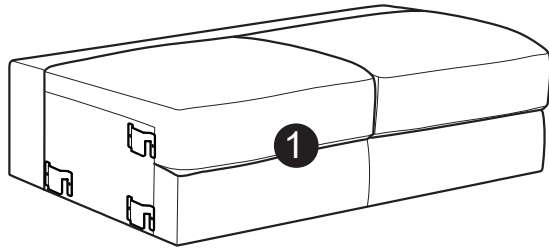
ASSEMBLY INSTRUCTIONS



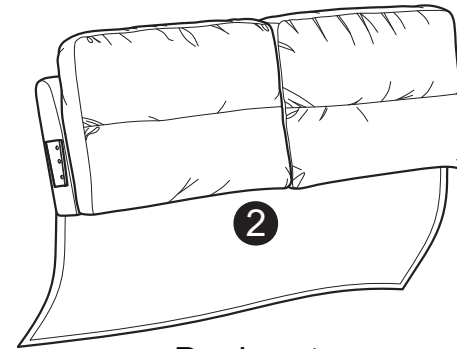
WARNING

- This product has been designed for seating two (2) average adults. To prevent injury and damage to this unit, PROHIBIT jumping on it.
 - This product is designed for home use and not intended for commercial use.
 - Children under the age of 5, small infants and babies should not sleep alone on this product for safety reasons.
 - Recommended # of people needed for handling: 2 (however it is always better to have an extra hand.)
 - THIS INSTRUCTION BOOKLET CONTAINS **IMPORTANT** SAFETY INFORMATION. PLEASE READ AND KEEP FOR FUTURE REFERENCE.
-

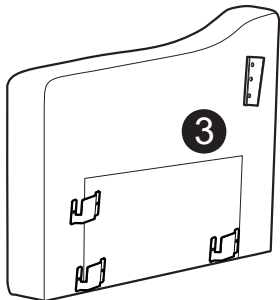
PARTS



Sofa Body
QTY:1

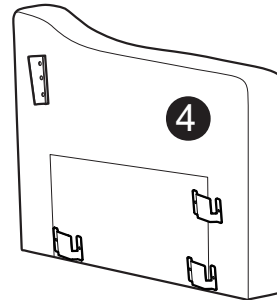


Backrest
QTY:1



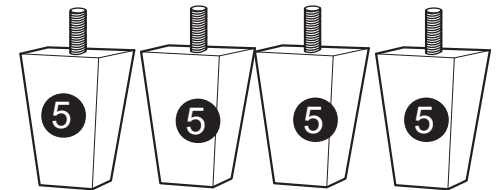
Left Facing Arm
QTY:1

(In the storage underneath of sofa body)



Right Facing Arm
QTY:1

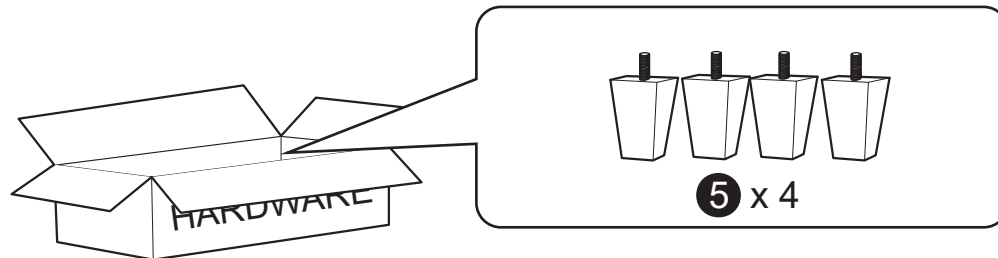
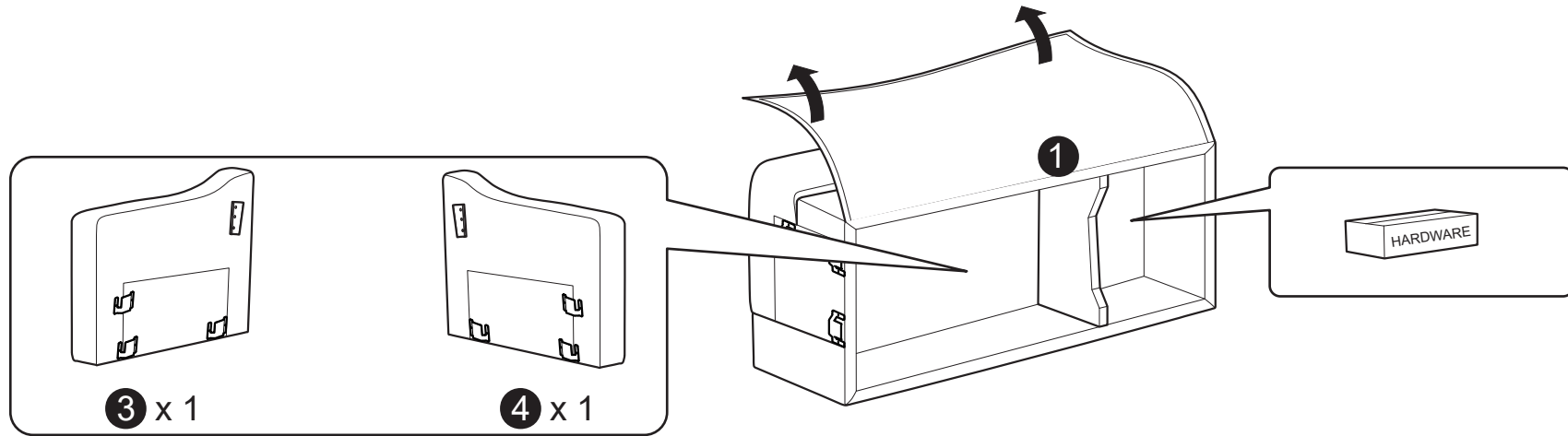
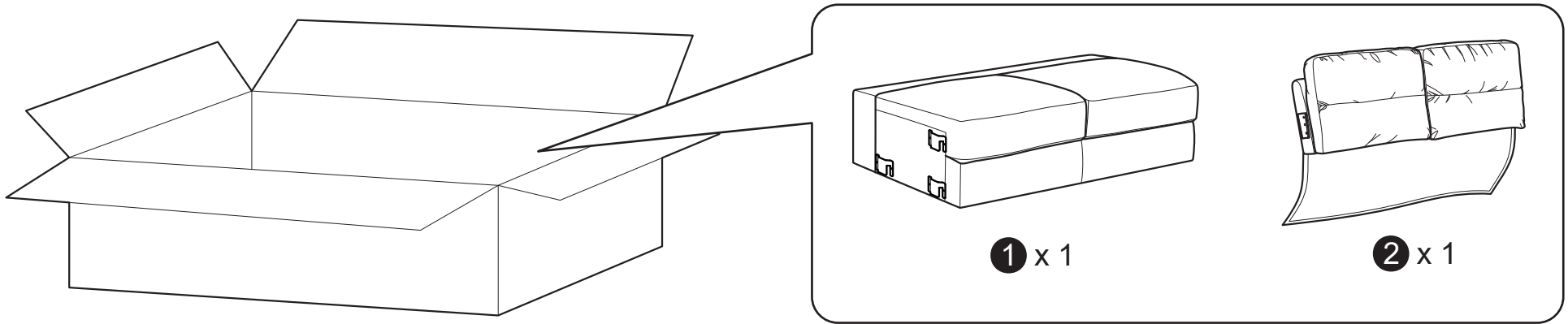
(In the storage underneath of sofa body)



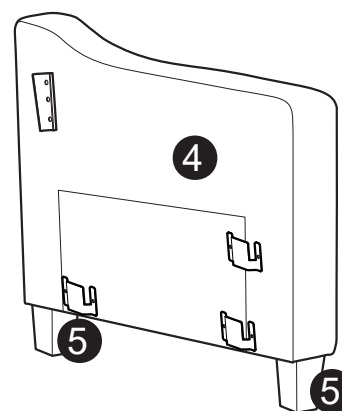
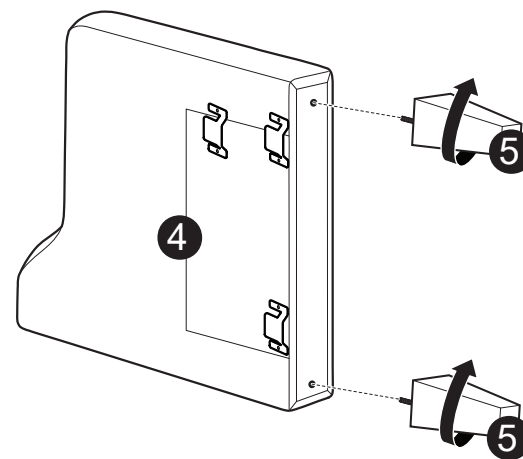
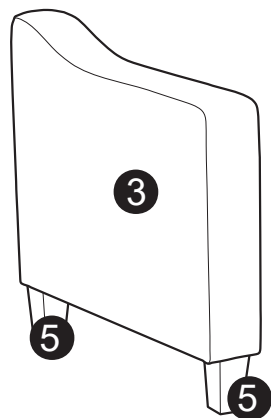
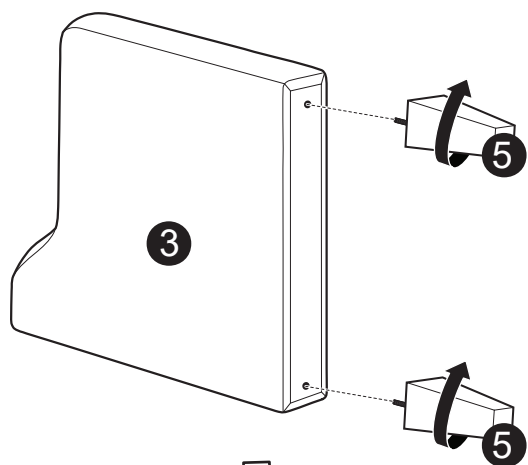
Leg
QTY:4

(In the storage underneath of sofa body)

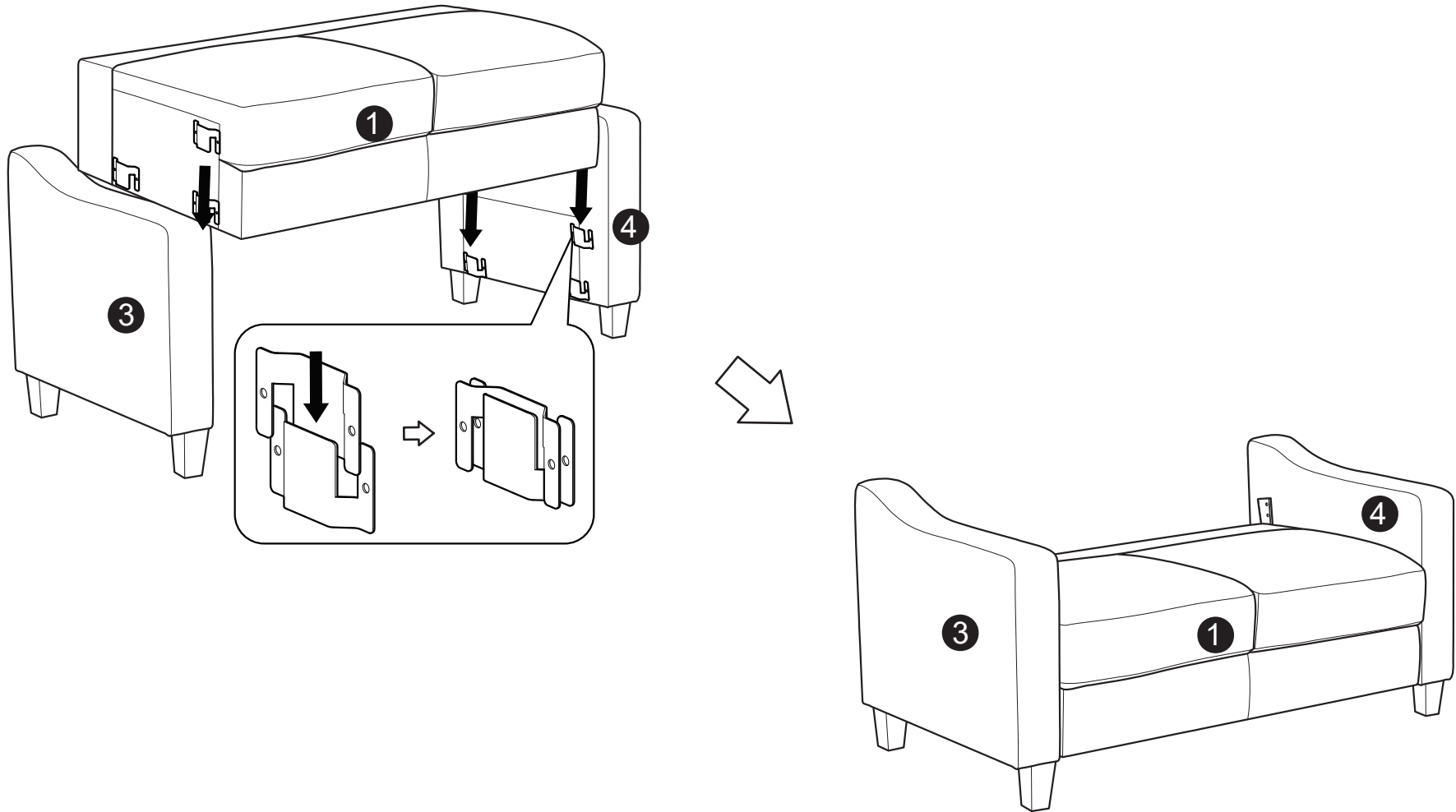
Step 1 :



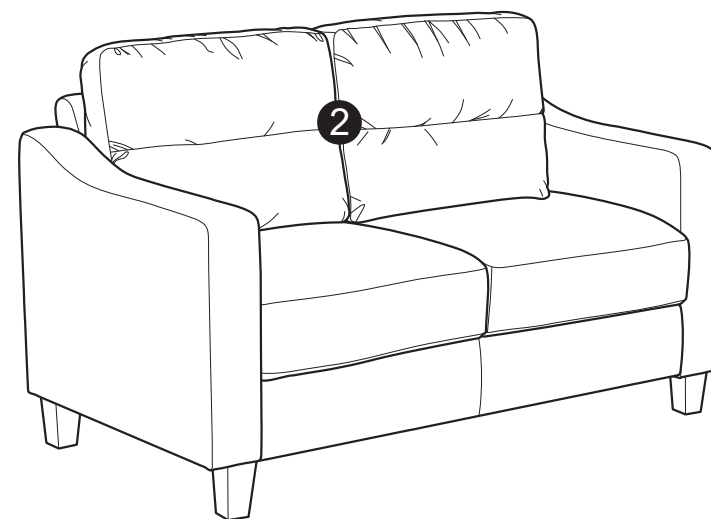
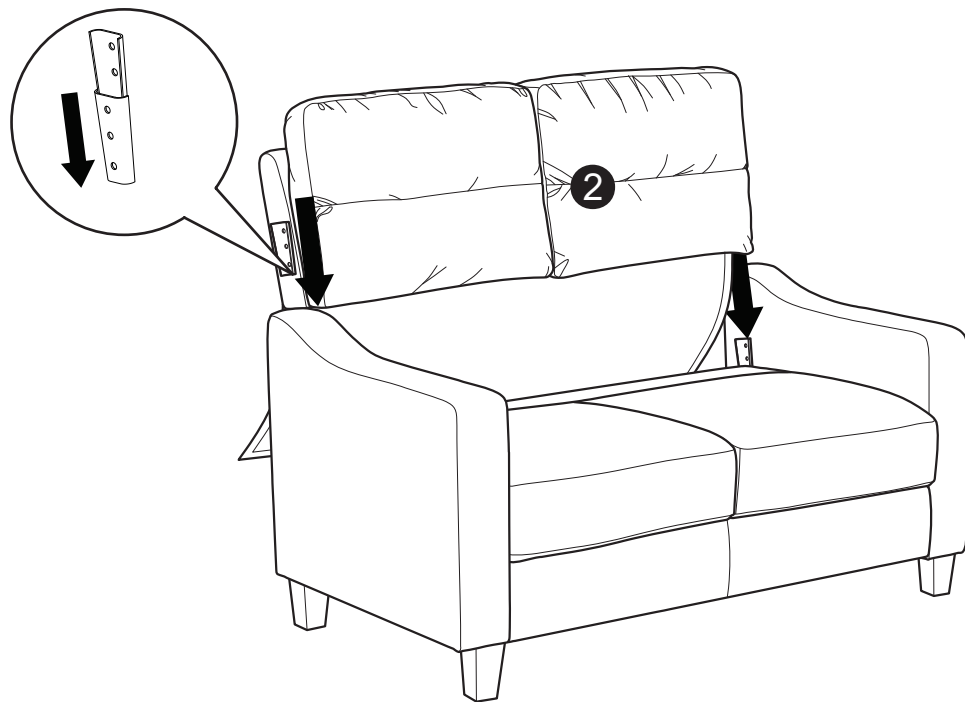
Step 2 :



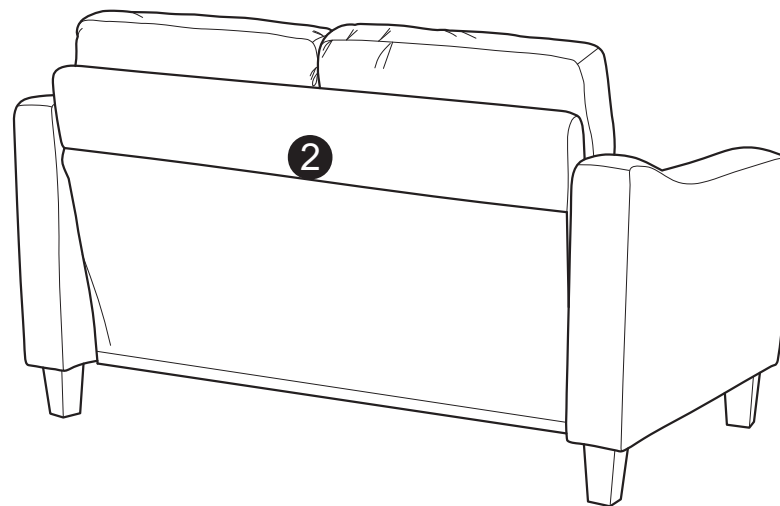
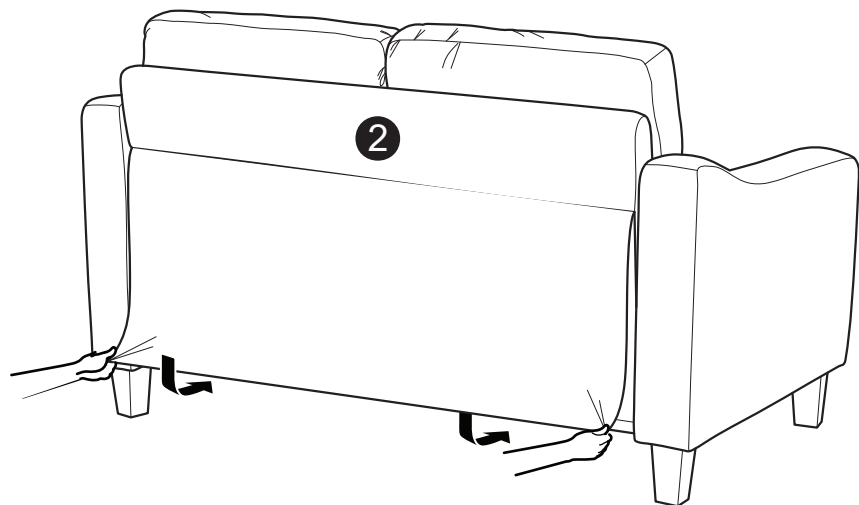
Step 3 :



Step 4 :



Step 5:



INSTALLATION COMPLETE :

