





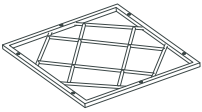
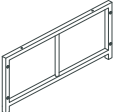
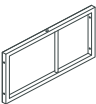
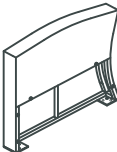
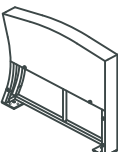
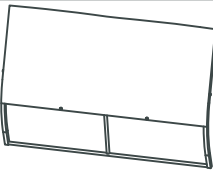
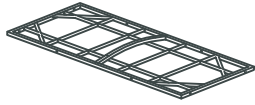
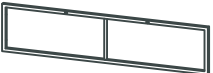
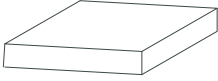
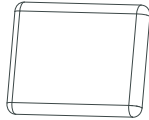


# Installation & Assembly

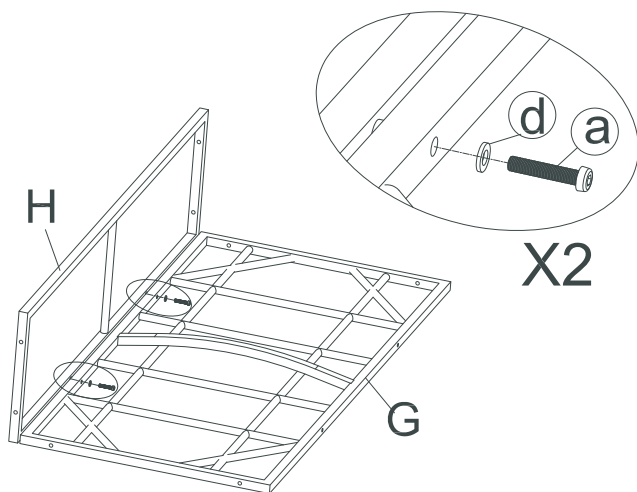
## Parts List of Product

a	 Bolt	M6*30	42	b	 Bolt	M6*85	2	
c	 Bolt	M6*60	4	d	 Washer	M6*ø14*1.5	50	
e	 Floor Mat	Floor Mat	4	f	 Hex Wrench	Hex Wrench	1	
								
A Top Panel x2			B Side Panel x4			C Front Panel x4		
								
D Arm-R x1			E Arm-L x1			F Back x1		
								
G Seat x1			H Front Panel x1			I Seat Cushion x4		
								
J Back Cushion x2								

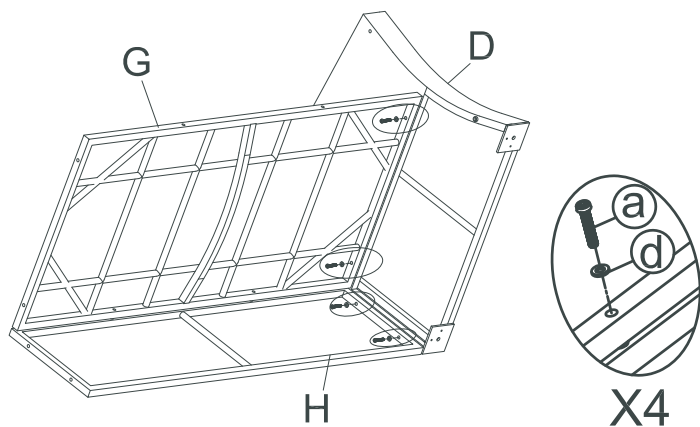
# Assembly Steps

Step 1 ◀

## Two-seat Sofa

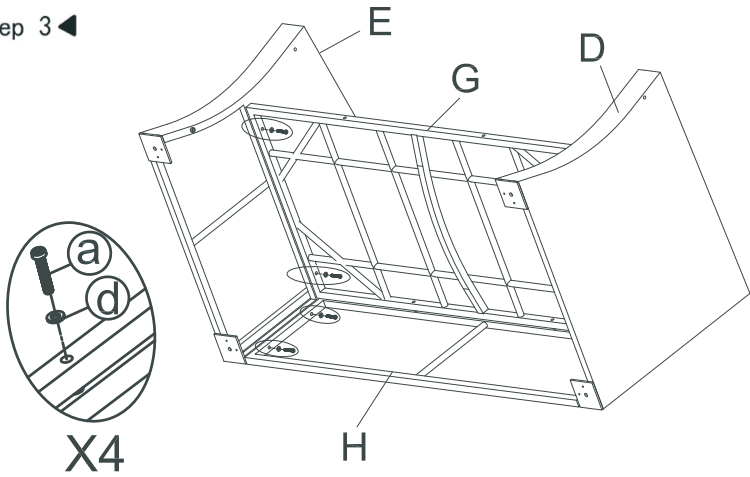


Step 2 ◀

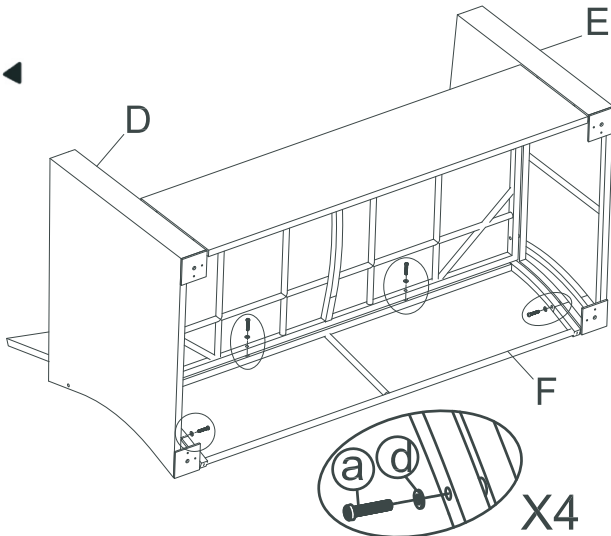


## Assembly Steps

Step 3 ◀

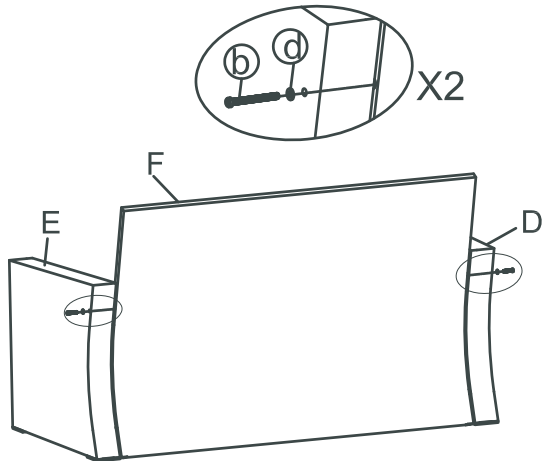


Step 4 ◀



## Assembly Steps

Step 5 ◀



Step 6 ◀

