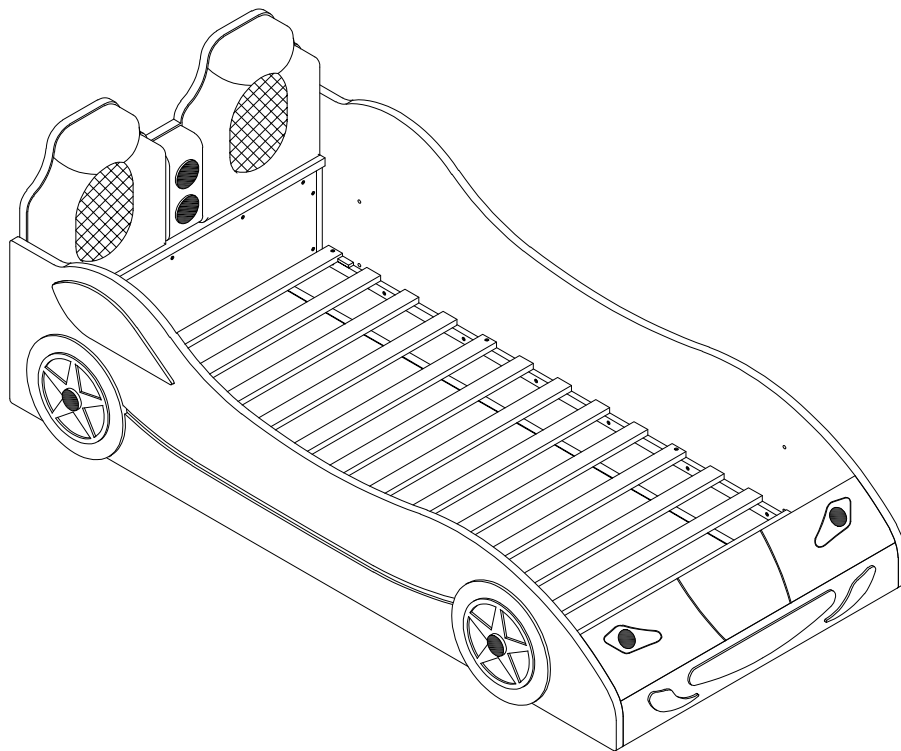


ASSEMBLY INSTRUCTIONS



Fine Furniture for every stage of life

Twin Bed

ASSEMBLY INSTRUCTIONS

ASSEMBLY TIPS:

1. Remove hardware from box and sort by size.
2. Please check to see that all hardware and parts are present prior to start of assembly.
3. Please follow attached instructions in the same sequence as numbered to assure fast & easy assembly.



WARNING!

1. Don't attempt to repair or modify parts that are broken or defective. Please contact the store immediately.
2. This product is for home use only and not intended for commercial establishments.

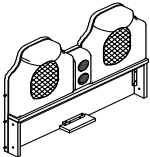



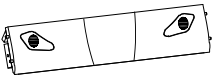

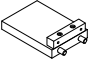



ASSEMBLY TIME



30 MINUTES

PARTS IDENTIFICATION

B1 (BOX 1)

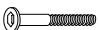




A	HEABOARD		1PC	E	HEADBOARD CONCEAL PANEL		1PC
B	FOOTBOARD BOTTOM PANEL		1PC	F	FOOTBOARD CONCEAL PANEL		1PC
C	FOOTBOARD TOP PANEL		1PC	G	ROLL SLAT (14PCS)		1SET
D	FOOTBOARD SUPPORT		1PC	H	ADAPTER		1PC

B2 (BOX 2)

I	LEFT SIDE RAIL		1PC	J	RIGHT SIDE RAIL		1PC
---	----------------	---	-----	---	-----------------	---	-----

HARDWARE IDENTIFICATION

Z-B1 (BOX1) - HARDWARE PACK IS LOCATED IN (B1)

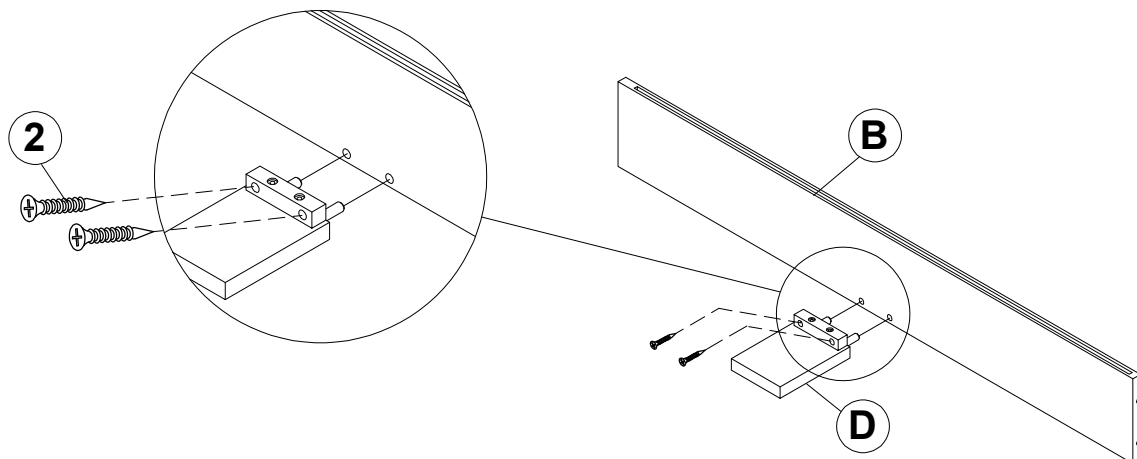
1	BOLT (5/16 x 35mm - BLK)		10PCS	4	WOOD DOWEL (10 x 40mm)		14PCS
2	LONG FLAT HEAD SCREW (4 x 35mm - BLK)		12PCS	5	ALLEN WRENCH (5 x 57MM - BLK)		1PC
3	SHORT FLAT HEAD SCREW (4 x 20mm - BLK)		20PCS				

NOTE:

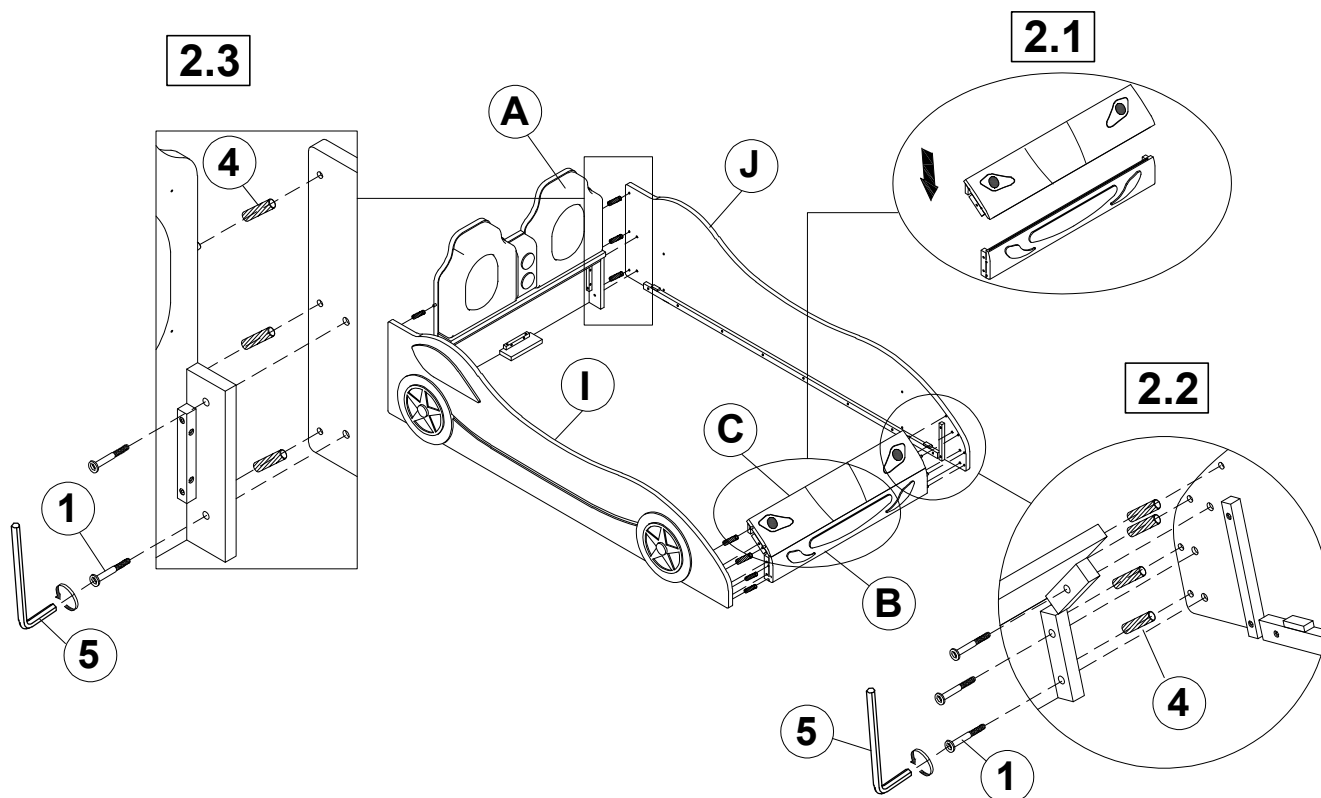
Phillips head screw driver is required in the assembly process; however, manufacturer does not provide this item.

ASSEMBLY INSTRUCTIONS

STEP 1



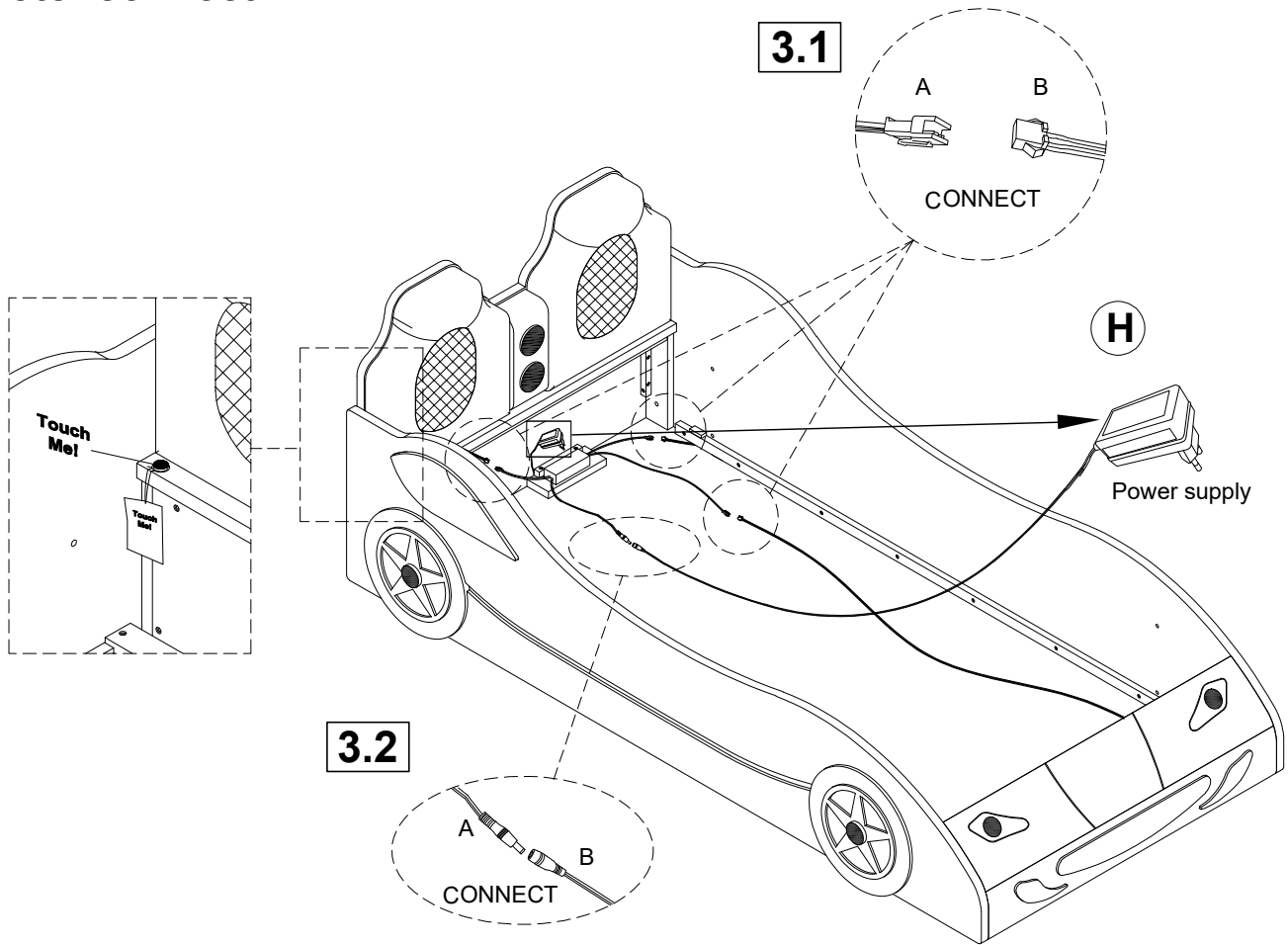
STEP 2



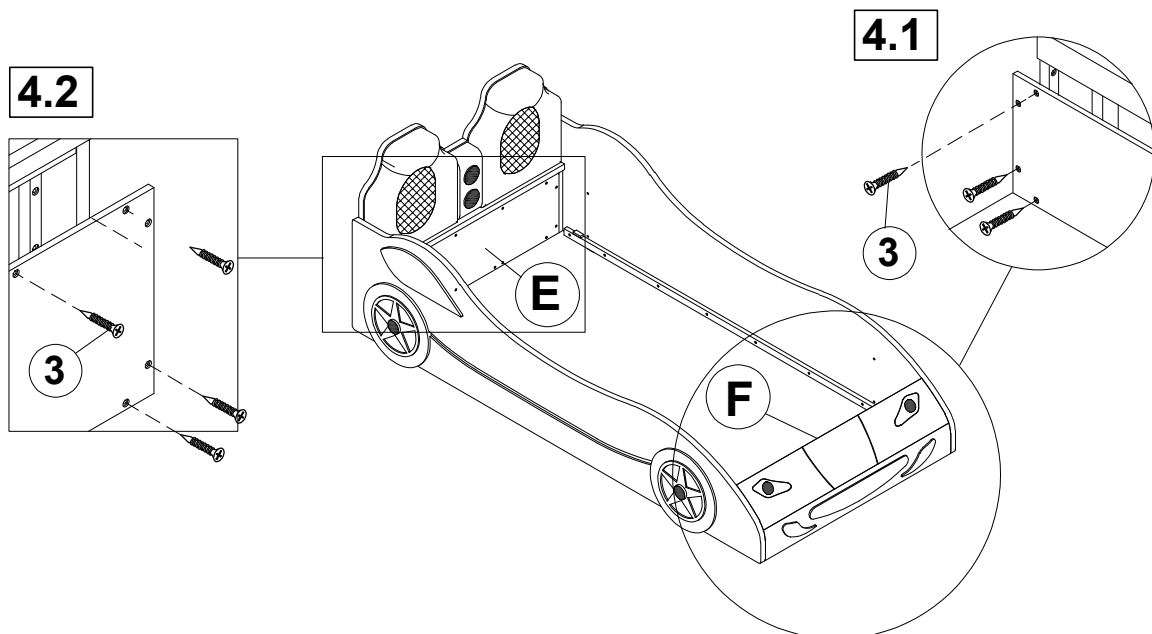
ASSEMBLY INSTRUCTIONS

STEP 3

Note: connect

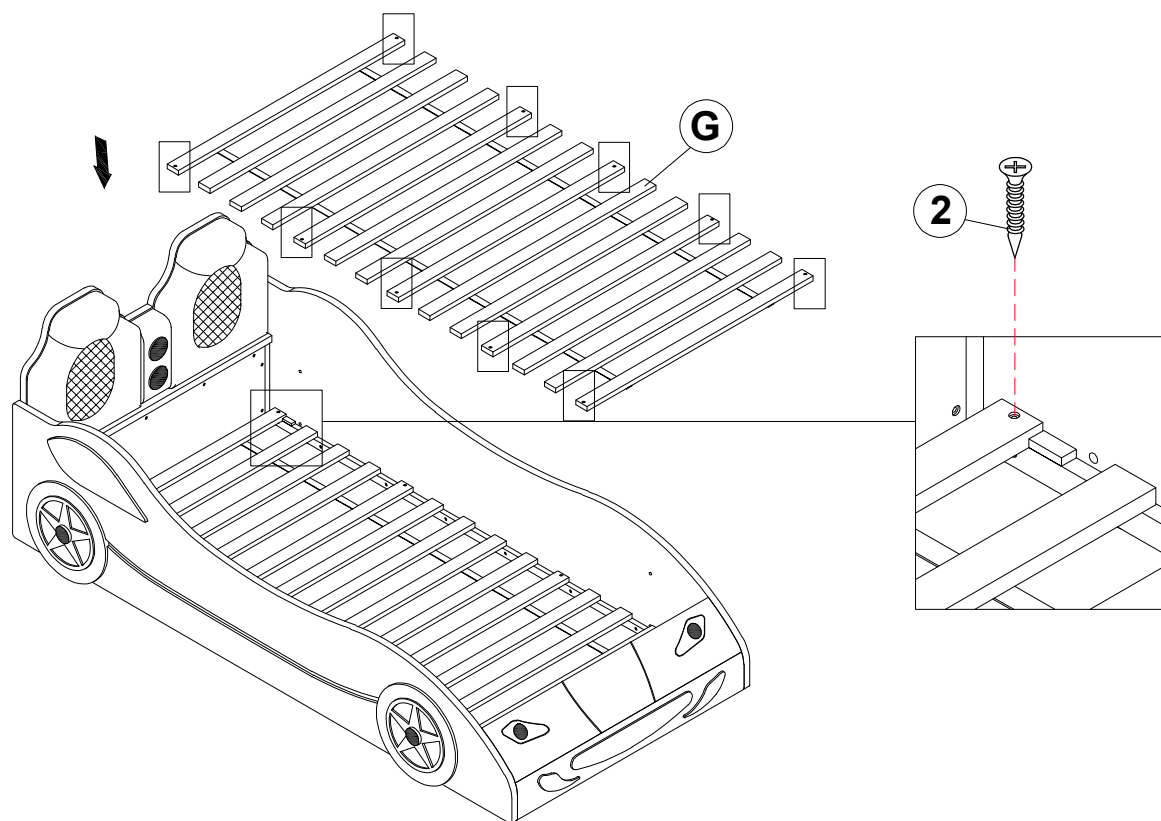


STEP 4

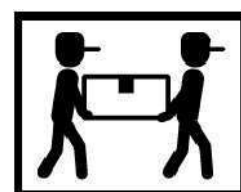
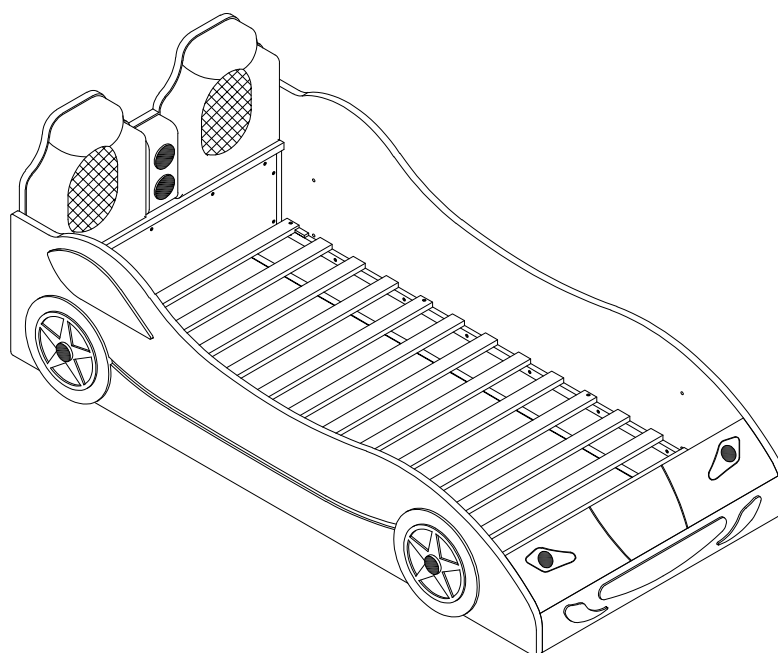


ASSEMBLY INSTRUCTIONS

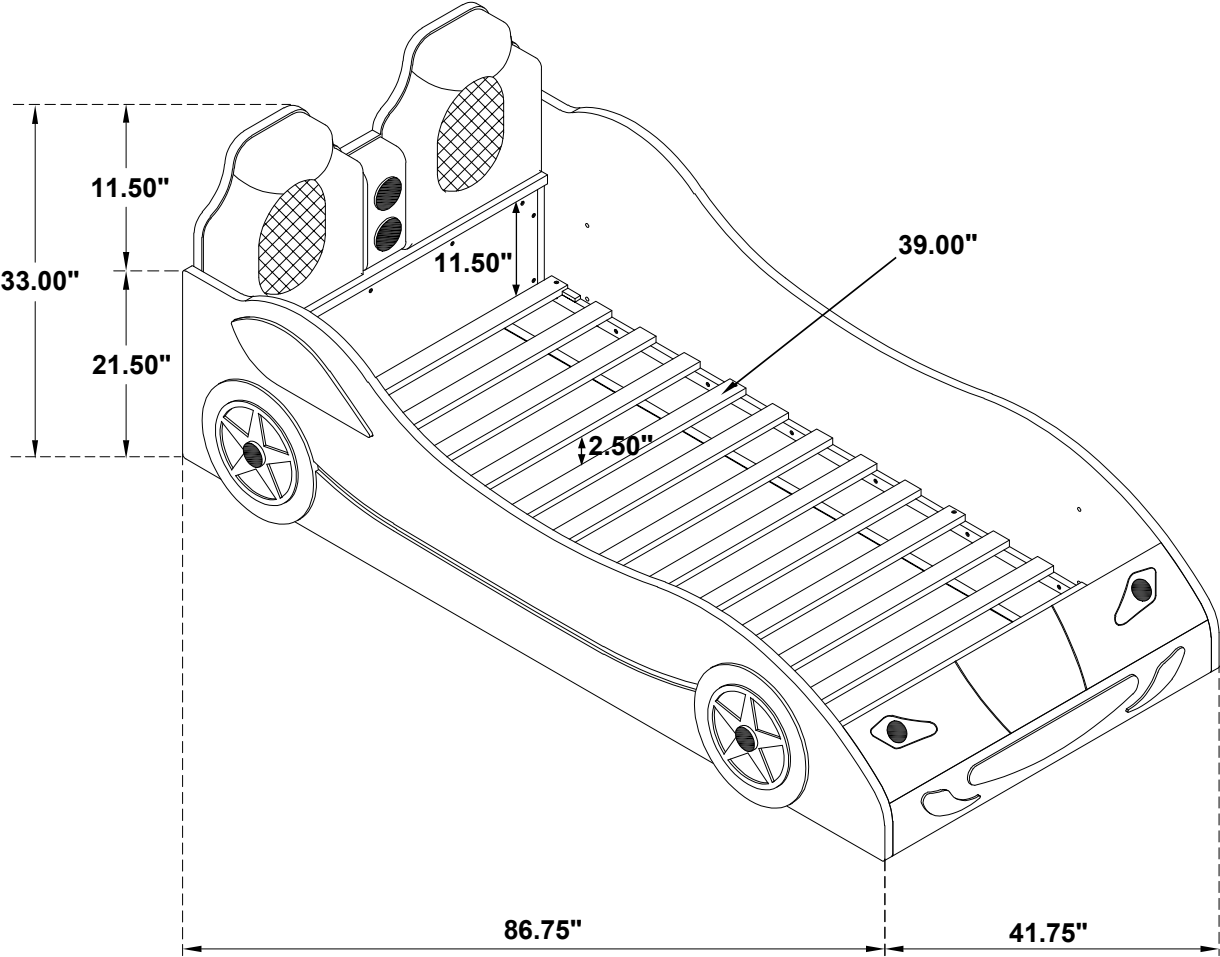
STEP 5



STEP 6 COMPLETE



Inner Size : 75.00"W x 39.00"D



Note: Dimension Tolerance $\pm 5\%$