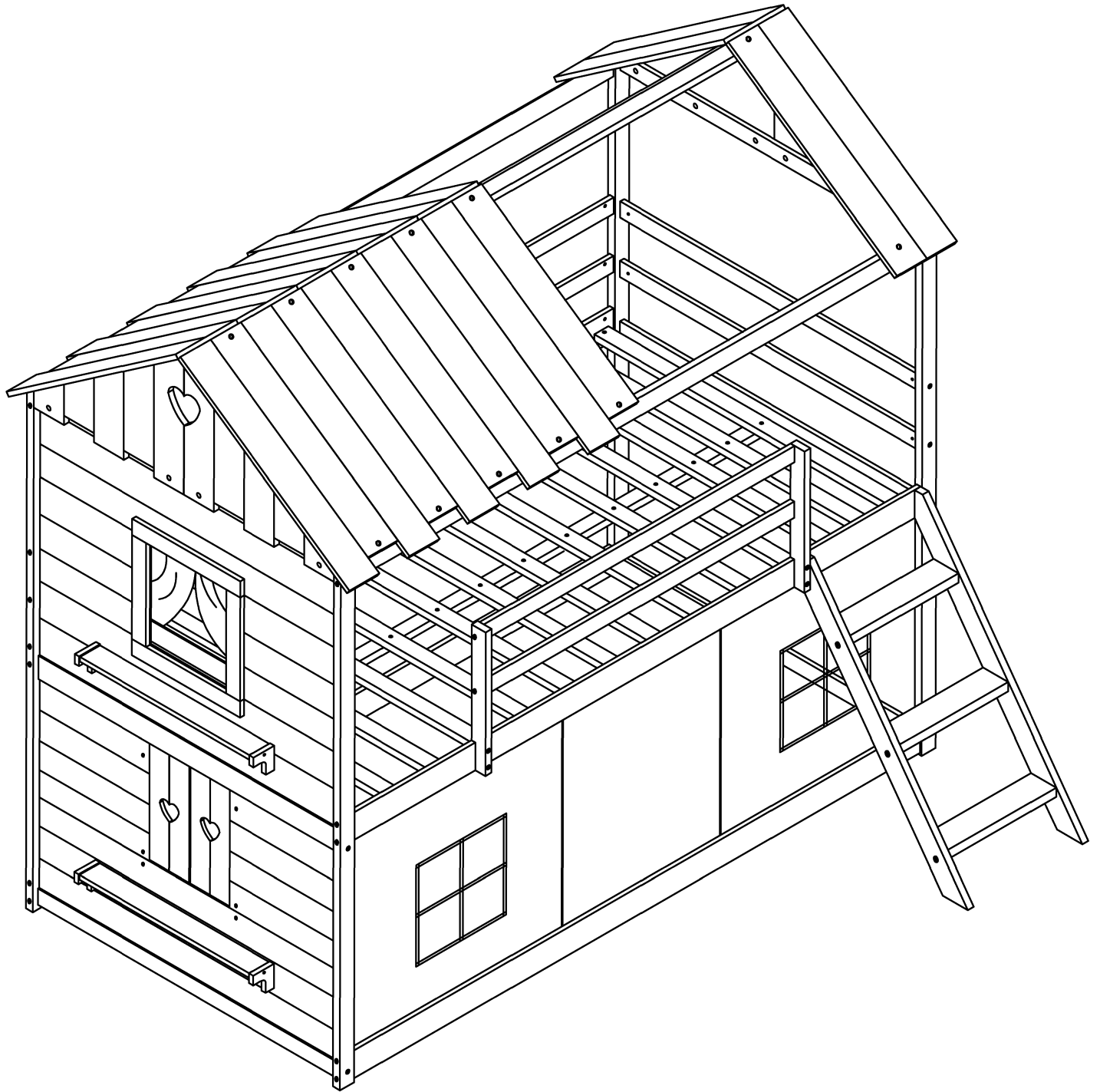


# ASSEMBLY INSTRUCTIONS

## BUNKBED - FULL



# **! SAFETY WARNINGS !**

---

1. This bed is designed for use only mattress(es) meeting the following specifications on the upper bunk, and lower bunk:

## **Upper bunk**

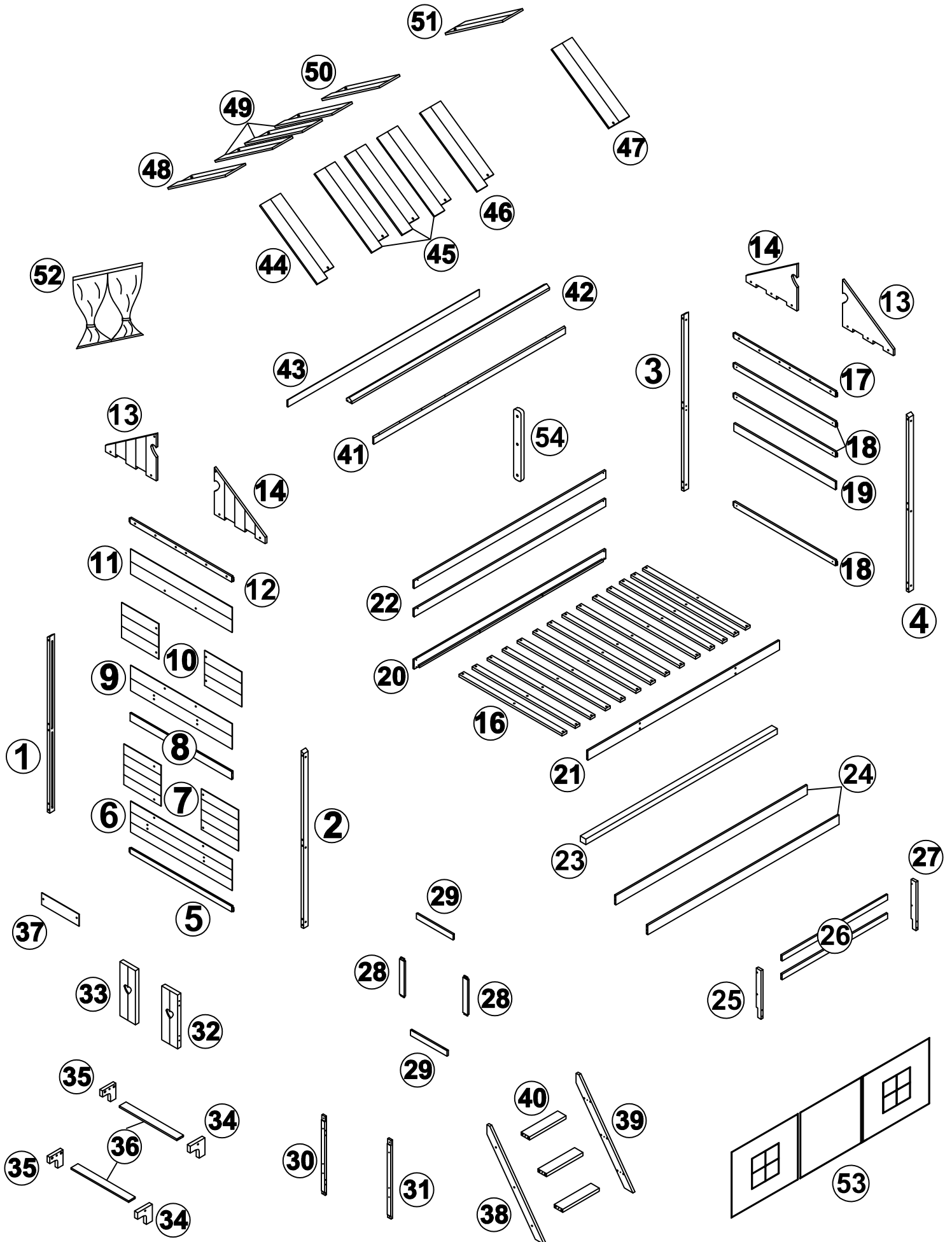
<b>Bed type</b>	<b>Length</b>	<b>Width</b>	<b>Thickness</b>
<b>Full Standard</b>	<b>74" - 75"</b>	<b>53 1/2"</b>	<b>6"</b>

## **Lower bunk**


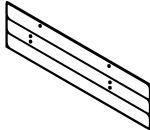

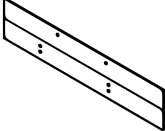
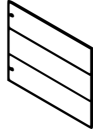
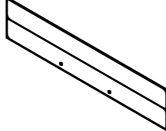
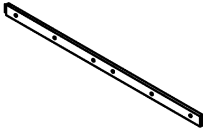
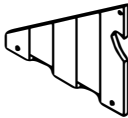
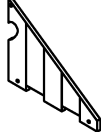
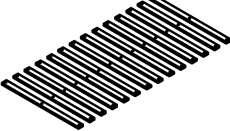
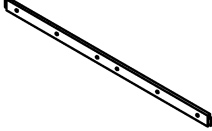

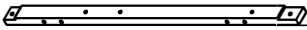
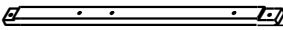
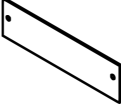
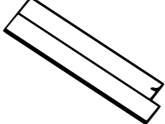
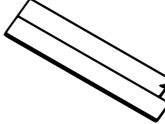
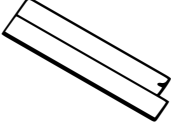
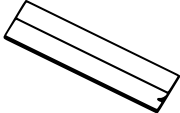
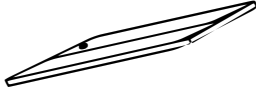
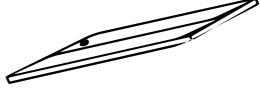
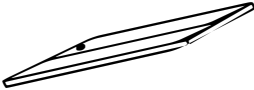

<b>Bed type</b>	<b>Length</b>	<b>Width</b>	<b>Thickness</b>
<b>Full Standard</b>	<b>74" - 75"</b>	<b>53 1/2"</b>	<b>6"</b>

2. Replacement parts, including additional guardrails, may be obtained from any of our dealers
3. Follow the information on the warnings appearing on the upper bunk bed end structure and on the carton. Do not remove warning label from bed.
4. Always use the recommended size mattresses or mattress supports, or both, to help prevent the likelihood of entrapment or falls.
5. Surface of the mattress must be at least 5 in. (127 mm) below the upper edge of guardrails.
6. Do not allow children under 6 years of age to use the upper bunk.
7. Periodically check and ensure that the guardrail, ladder, and other components are in their proper position, free from damage, and that all connectors are tight.
8. Do not allow horseplay on or under the bed and prohibit jumping on the bed
9. Always use the ladder for entering and leaving the upper bunk.
10. Do not use substitute parts. Contact the manufacturer or dealer for replacement parts.
11. Use of a night light may provide added safety precaution for a child using the upper bunk.
12. Always use guardrails on both long sides of the upper bunk. If the bunk bed will be placed next to the wall, the guardrail that runs the full length of the bed should be placed against the wall to prevent entrapment between the bed and wall.
13. The use of water or sleep flotation mattresses is prohibited.
14. **STRANGULATION HAZARD** – Never attach or hang items to any part of the bunk bed that are not designed for use with the bed; for example, but not limited, hook, belts and jump ropes.
15. Keep these instructions for future reference
16. Prohibit more than one person on upper bunk .
17. We recommend assembling your bunk bed on the shipping carton to protect your floor or carpet .
18. Be certain all staples are out of the box before beginning assembly on the shipping carton .












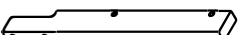

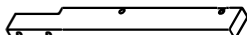
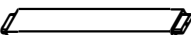
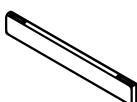
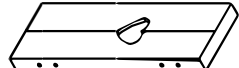
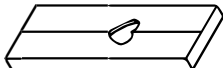
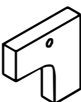
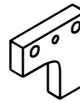
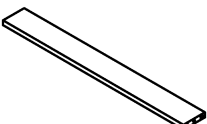
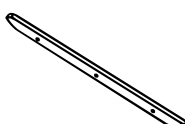
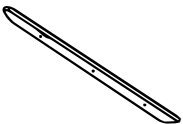
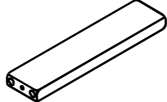

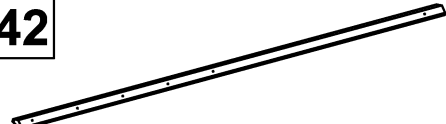


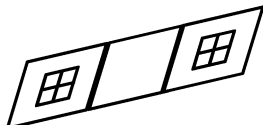

# Detail View



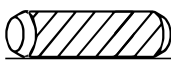



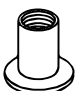

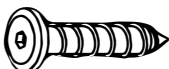



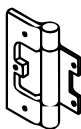
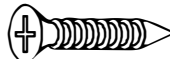
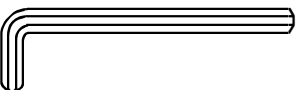
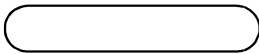
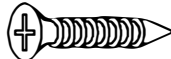
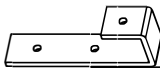

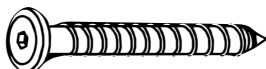




# Part List

<p><b>5</b></p> 	<p><b>6</b></p> 	<p><b>7</b></p> 
<p>Lower rafters - 1pc</p>	<p>Panel - 1pc</p>	<p>Panel - 2pcs</p>
<p><b>9</b></p> 	<p><b>10</b></p> 	<p><b>11</b></p> 
<p>Panel - 1pc</p>	<p>Panel - 2pcs</p>	<p>Panel - 1pc</p>
<p><b>12</b></p> 	<p><b>13</b></p> 	<p><b>14</b></p> 
<p>Upper groove - 1pc</p>	<p>Roof Panel - 2pcs</p>	<p>Roof Panel - 2pcs</p>
<p><b>16</b></p> 	<p><b>17</b></p> 	<p><b>18</b></p> 
<p>Slats - 14pcs</p>	<p>Upper groove - 1pc</p>	<p>Crossbar - 3pcs</p>
<p><b>30</b></p> 	<p><b>31</b></p> 	<p><b>37</b></p> 
<p>Splints - 1pc</p>	<p>Splints - 1pc</p>	<p>Cladding panels - 1pc</p>
<p><b>44</b></p> 	<p><b>45</b></p> 	<p><b>46</b></p> 
<p>Roof panels (left) - 1pc</p>	<p>Roof panels (middle) - 3pcs</p>	<p>Roof panels (right) - 1pc</p>
<p><b>47</b></p> 	<p><b>48</b></p> 	<p><b>49</b></p> 
<p>Roof panels (right) - 1pc</p>	<p>Roof panels (left) - 1pc</p>	<p>Roof panels (middle) - 3pcs</p>
<p><b>50</b></p> 	<p><b>51</b></p> 	
<p>Roof panels (right) - 1pc</p>	<p>Roof panels (left) - 1pc</p>	


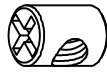

# Part List

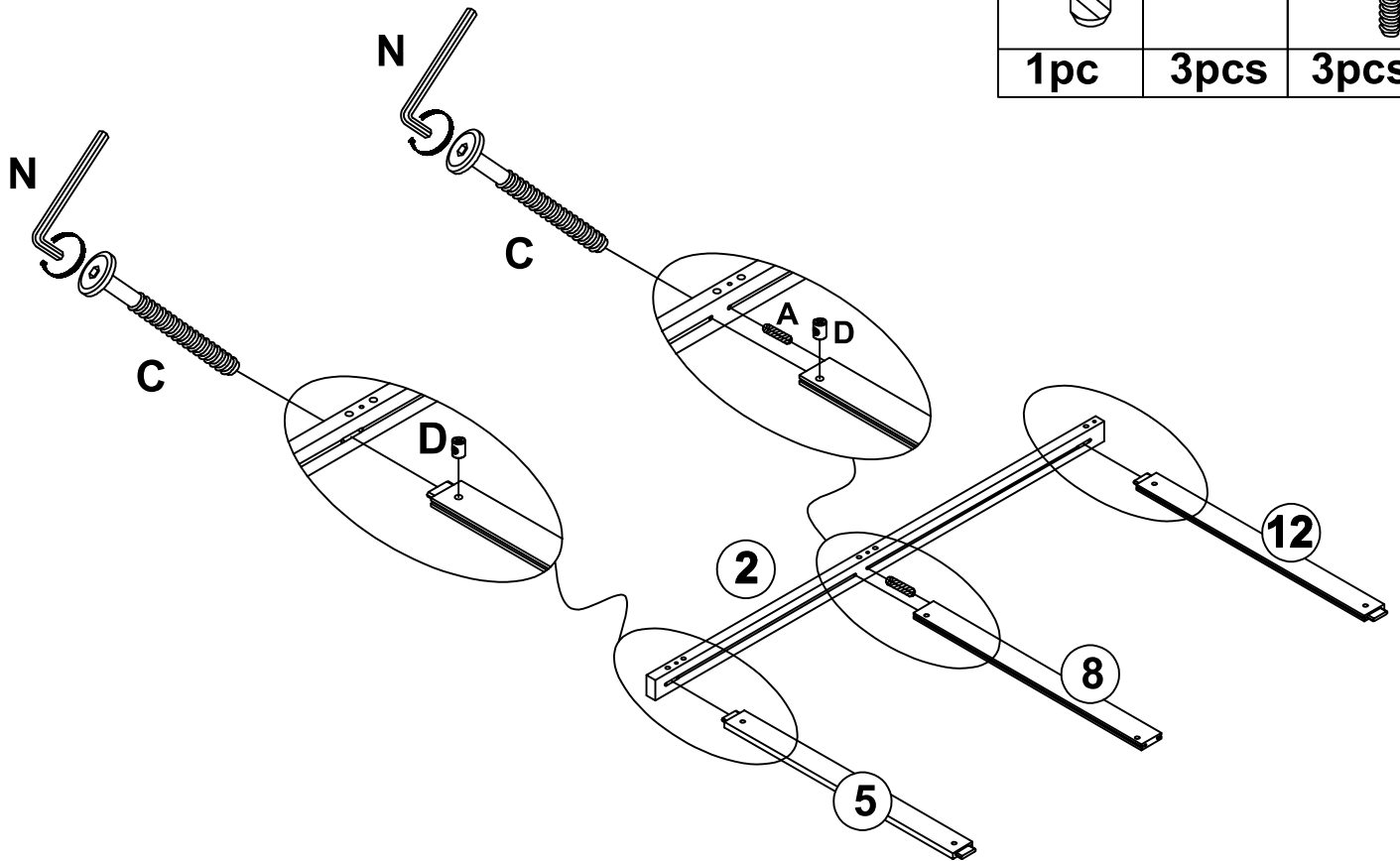
<b>1</b>		<b>2</b>		<b>3</b>	
	Supporting leg - 1pc		Supporting leg - 1pc		Supporting leg - 1pc
<b>4</b>		<b>8</b>		<b>19</b>	
	Supporting leg - 1pc		Middle groove - 1pc		Upper groove - 1pc
<b>20</b>		<b>21</b>		<b>22</b>	
	Upper bed shoulder - 1pc		Upper bed shoulder - 1pc		Long crossbar - 2pcs
<b>23</b>		<b>24</b>		<b>25</b>	
	Support tree - 1pc		Lower shoulder - 2pcs		Balustrade bar - 1pc
<b>26</b>		<b>27</b>		<b>28</b>	
	Short railing - 2pcs		Balustrade bar - 1pc		Window bar - 2pcs
<b>29</b>		<b>32</b>		<b>33</b>	
	Window bar - 2pcs		Window (right) - 1pc		Window (left) - 1pc
<b>34</b>		<b>35</b>		<b>36</b>	
	Foot shelf - 2pcs		Foot shelf - 2pcs		Shelves - 2pcs
<b>38</b>		<b>39</b>		<b>40</b>	
	Stair foot (left) - 1pc		Stair foot (right) - 1pc		Stair steps - 3pcs
<b>41</b>		<b>42</b>		<b>43</b>	
	Roof beam (front) - 1pc		Roof beam (middle) - 1pc		Roof beam (left) - 1pc
<b>52</b>		<b>53</b>		<b>54</b>	
	Window fabric - 1pc		Window fabric - 1pc		Railing brace - 1pc

# Hardware List

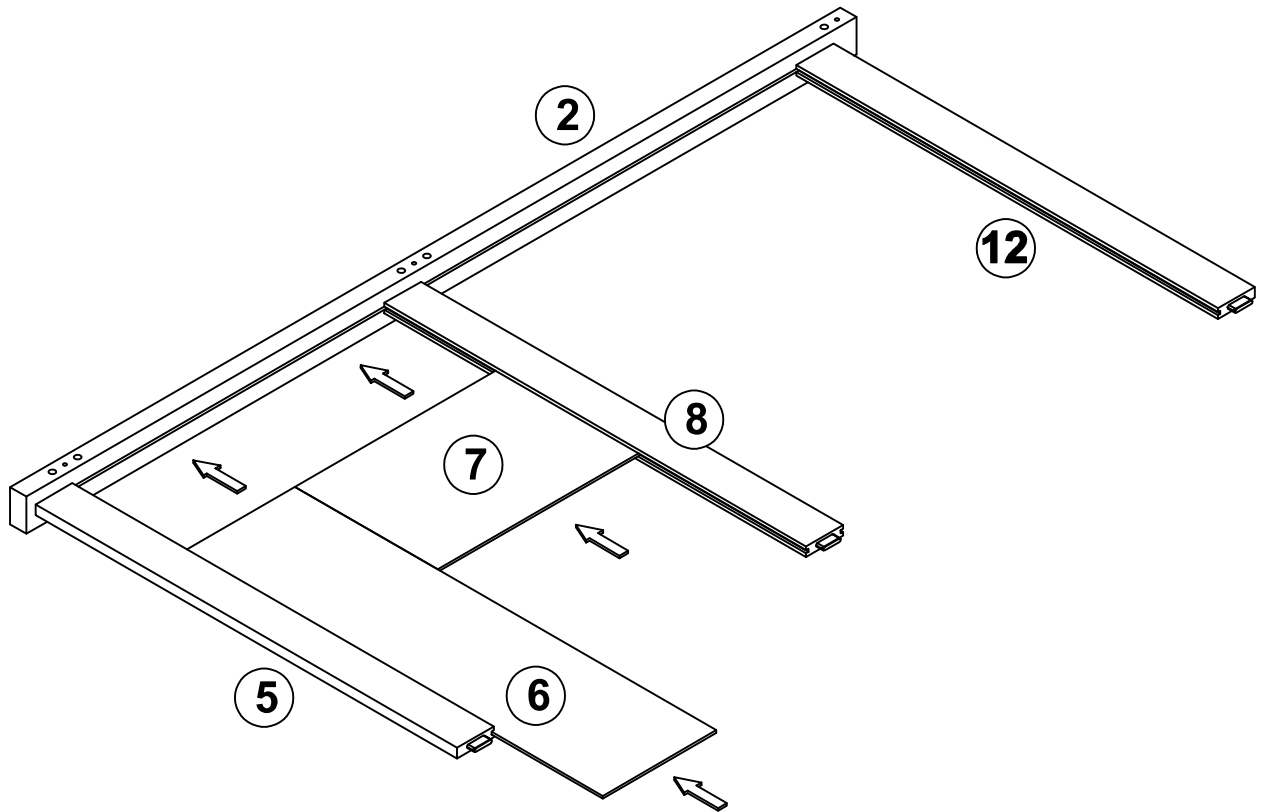
<b>A</b>  Ø10*30mm Wood dowel (44pcs)	<b>B</b>  Ø1/4"*110mm Hex-Head bolt (24pcs)	<b>C</b>  Ø1/4"*80mm Hex-Head bolt (16pcs)
<b>D</b>  Ø1/4"*9.5*12mm Horizontal-Hole bolt (58pcs)	<b>E</b>  Ø1/4"15 Nut (16pcs)	<b>F</b>  Ø1/4"*30mm Hex-Head bolt (8pcs)
<b>G</b>  Ø6*25mm Hex-Head screw (38pcs)	<b>H</b>  Ø1/4"*65mm Hex-Head bolt (18pcs)	<b>J</b>  Ø1/4"*20mm Hex-Head bolt (8pcs)
<b>K</b>  #4*30mm Screw (42pcs)	<b>L</b>  Hinge (4pcs)	<b>M</b>  #3.5*12mm Screw (20pcs)
<b>N</b>  K4mm Allen key (2pcs)	<b>O</b>  90*17*2mm Foam stick (2pcs)	<b>P</b>  #4*20mm Screw (6pcs)
<b>Q</b>  Hook (2pcs)	<b>R</b>  #4*50mm Screw (4pcs)	<b>Z</b>  Ø6*40mm Hex-Head screw (8pcs)
<b>Y</b>  #3.5*15mm Screw (12pcs)	<b>T</b>  75*40*25mm U bracket (2pcs)	<b>W</b>  Ø6*30mm Hex-Head screw (3pcs)
<b>V</b>  Ø3.5*15mm Wood screws (3pcs)		

# Step 1 :

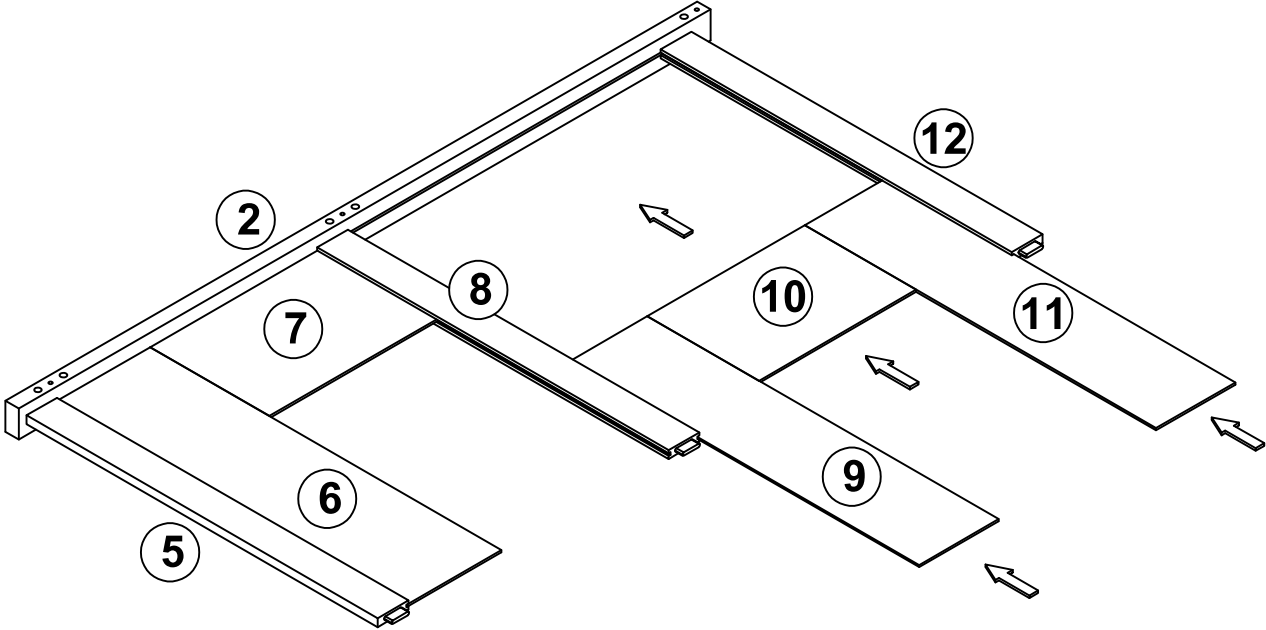
<b>A</b>		<b>D</b>		<b>C</b>	
	1pc		3pcs		3pcs



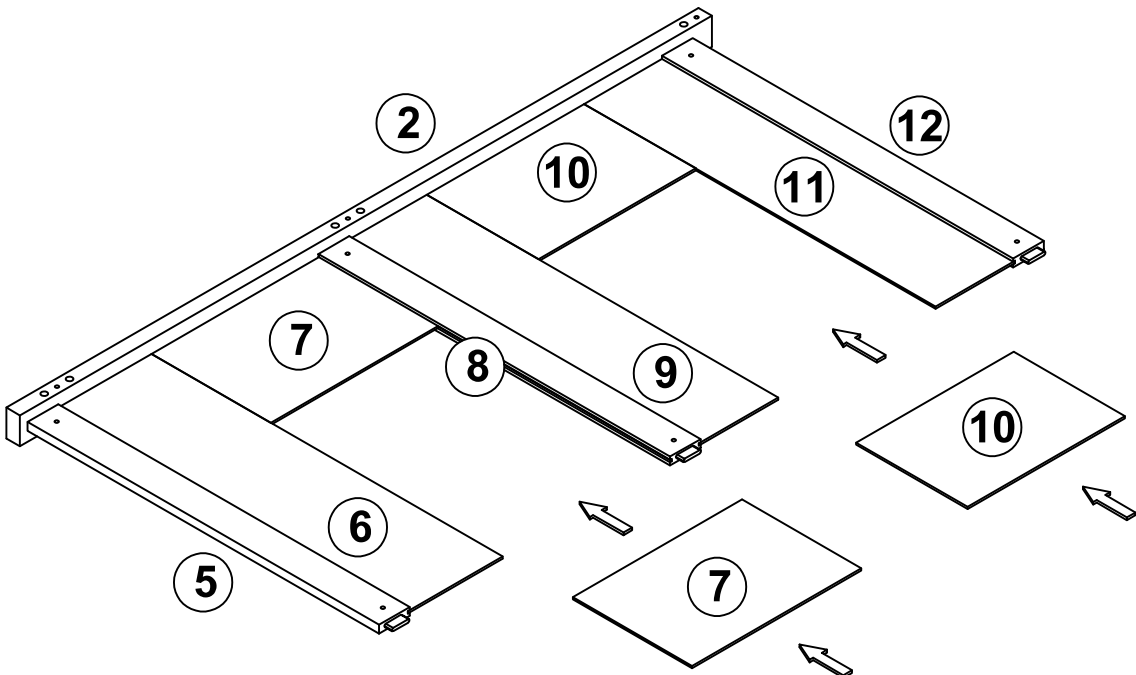
# Step 2 :



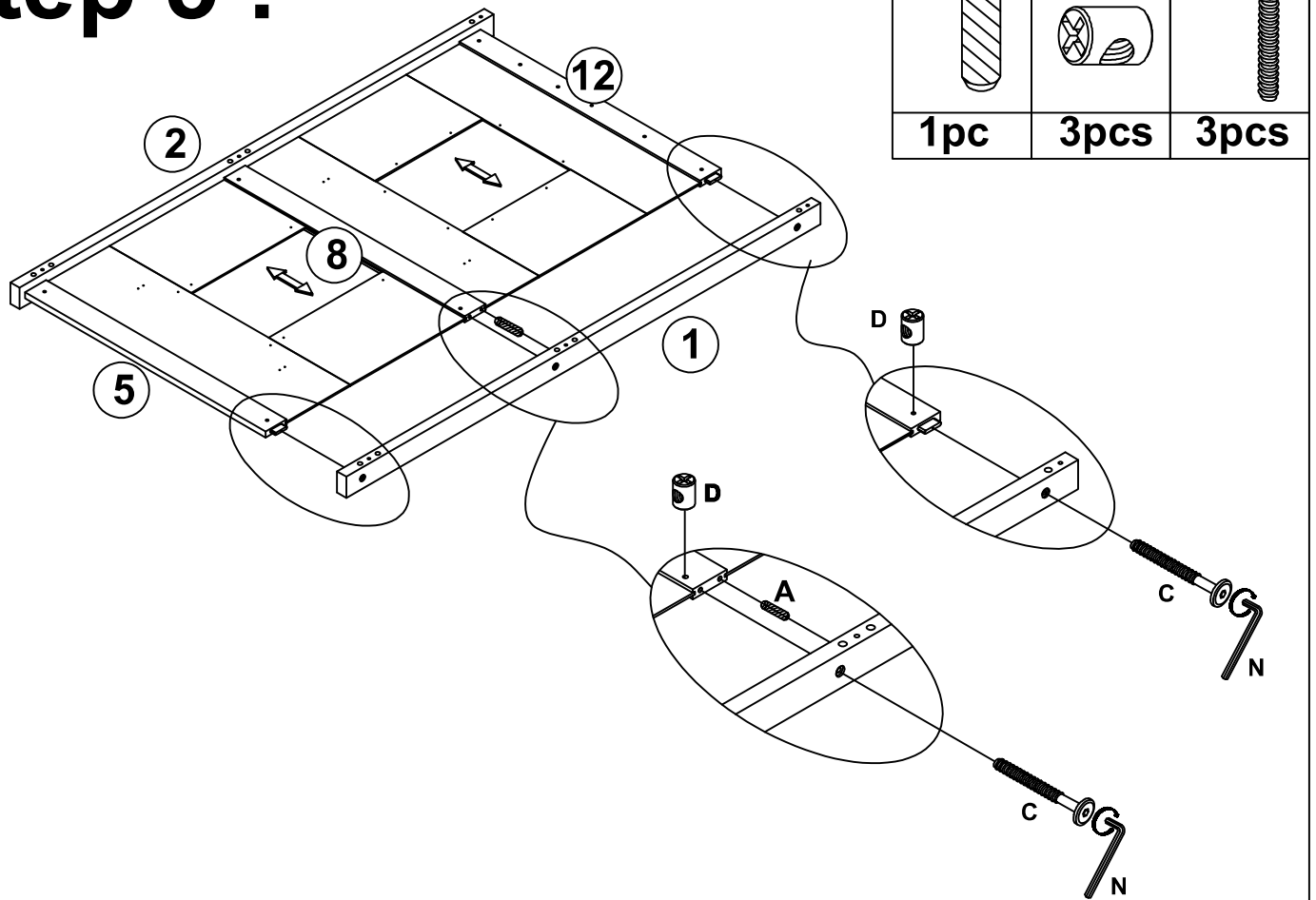
# Step 3 :



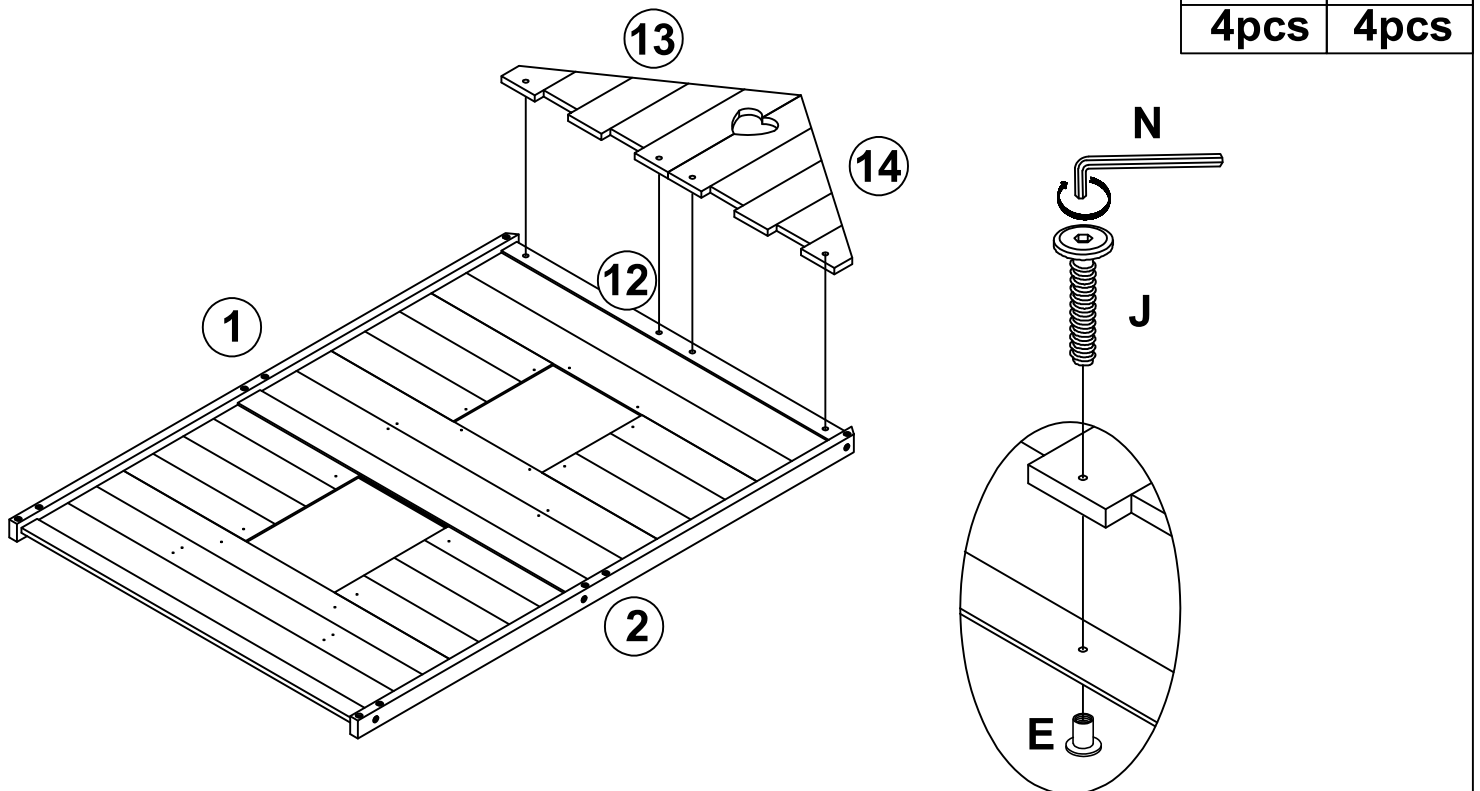
# Step 4 :





# Step 5 :

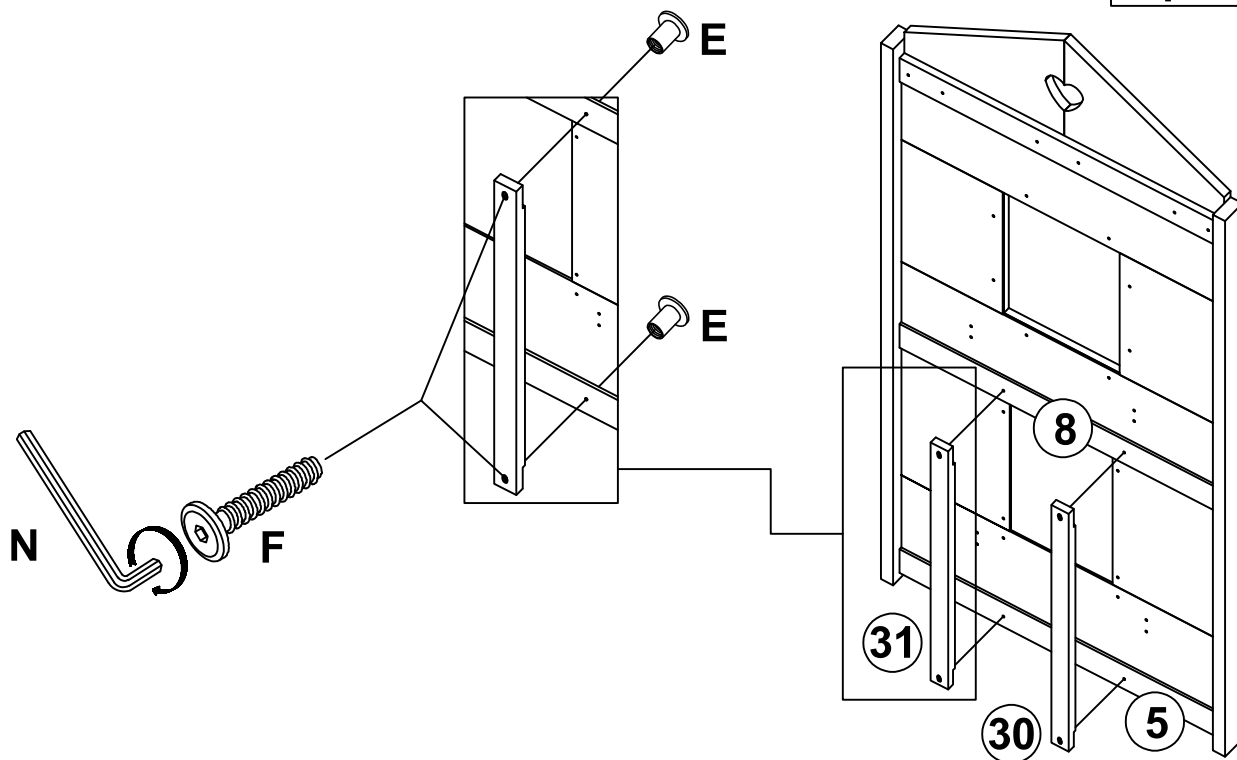


# Step 6 :

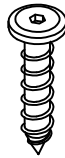


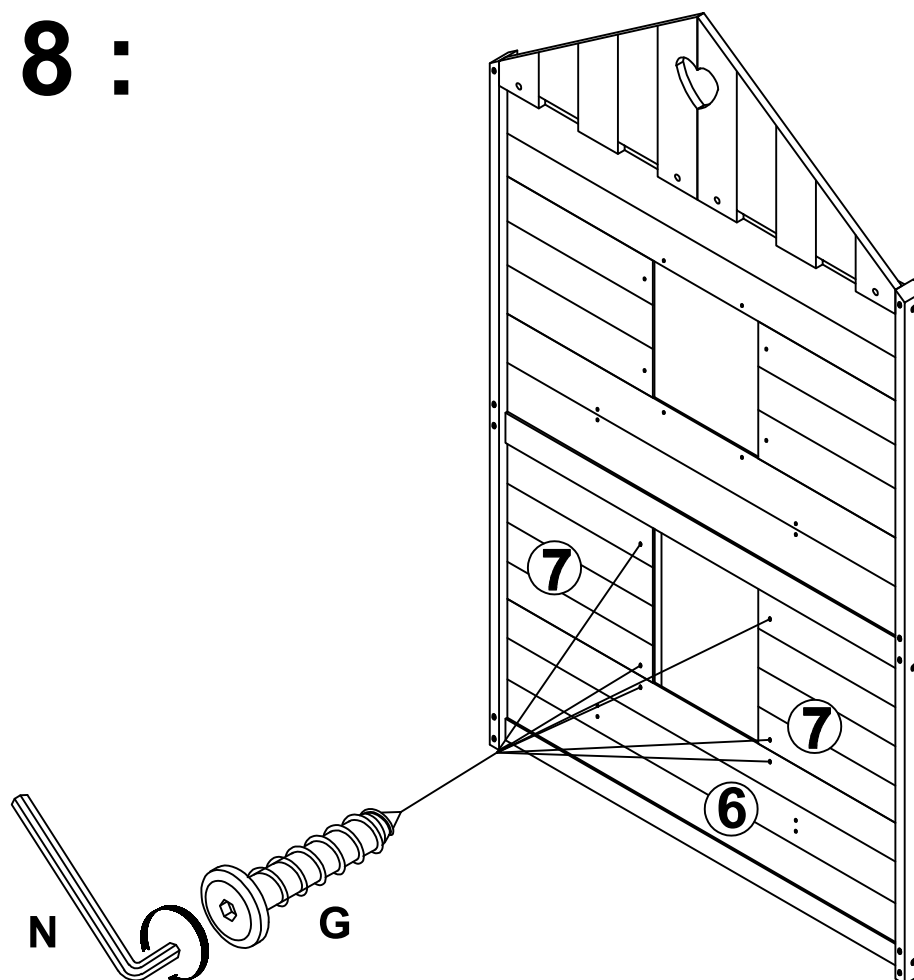
# Step 7 :

<b>E</b>	<b>F</b>
	
<b>4pcs</b>	<b>4pcs</b>

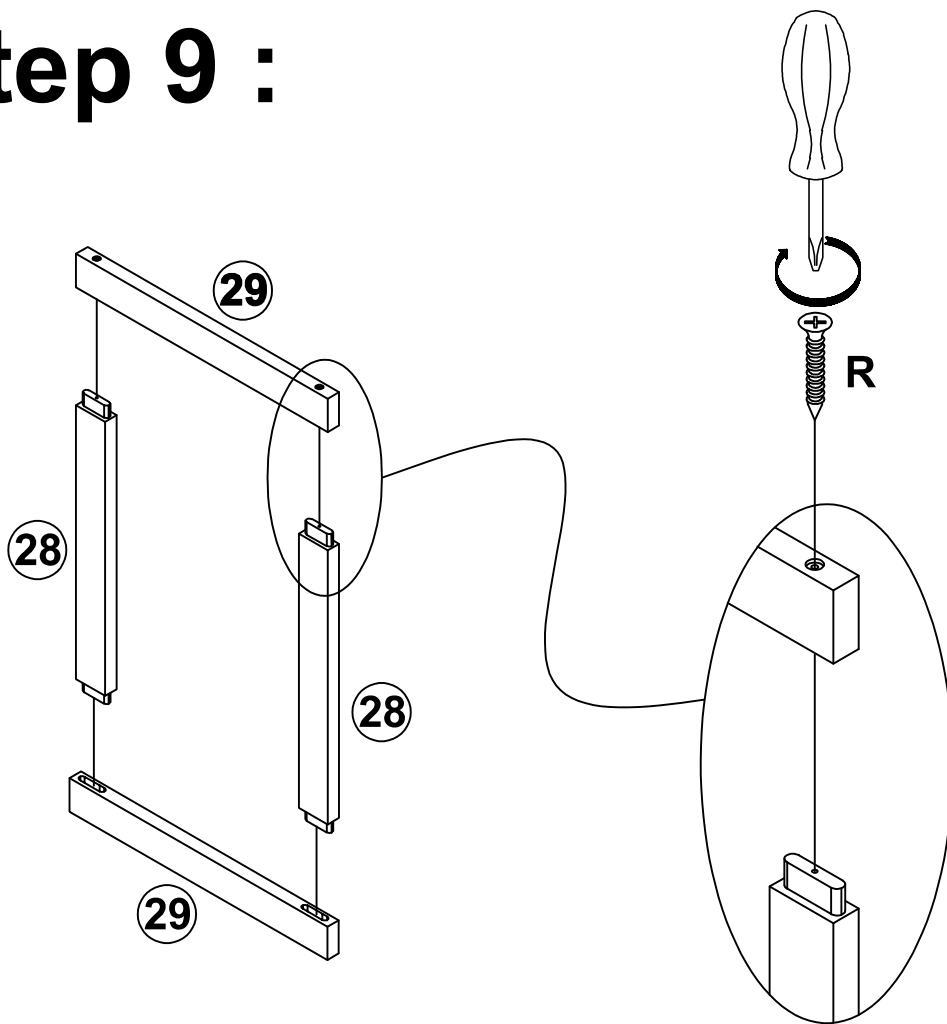


# Step 8 :

<b>G</b>

<b>6pcs</b>



# Step 9 :

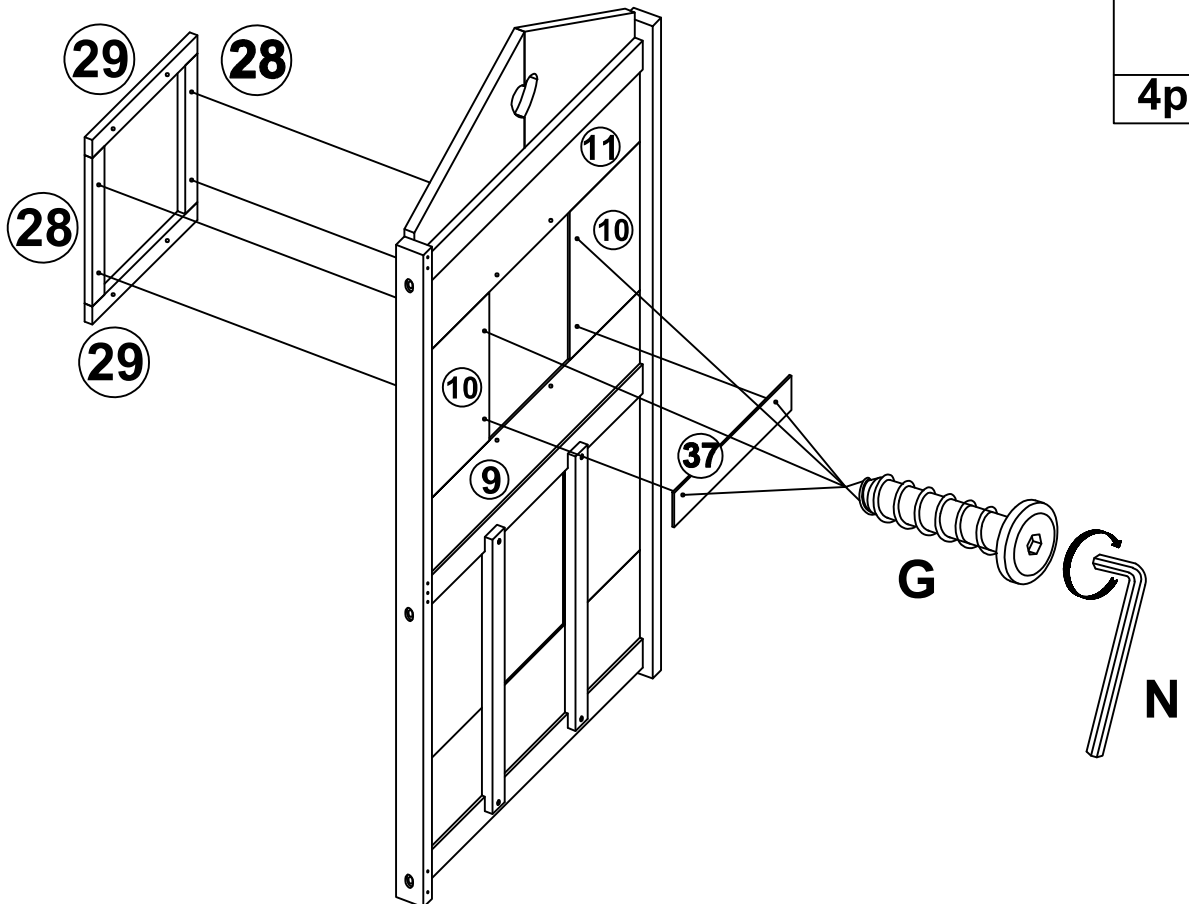


R

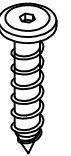


4pcs

# Step 10 :

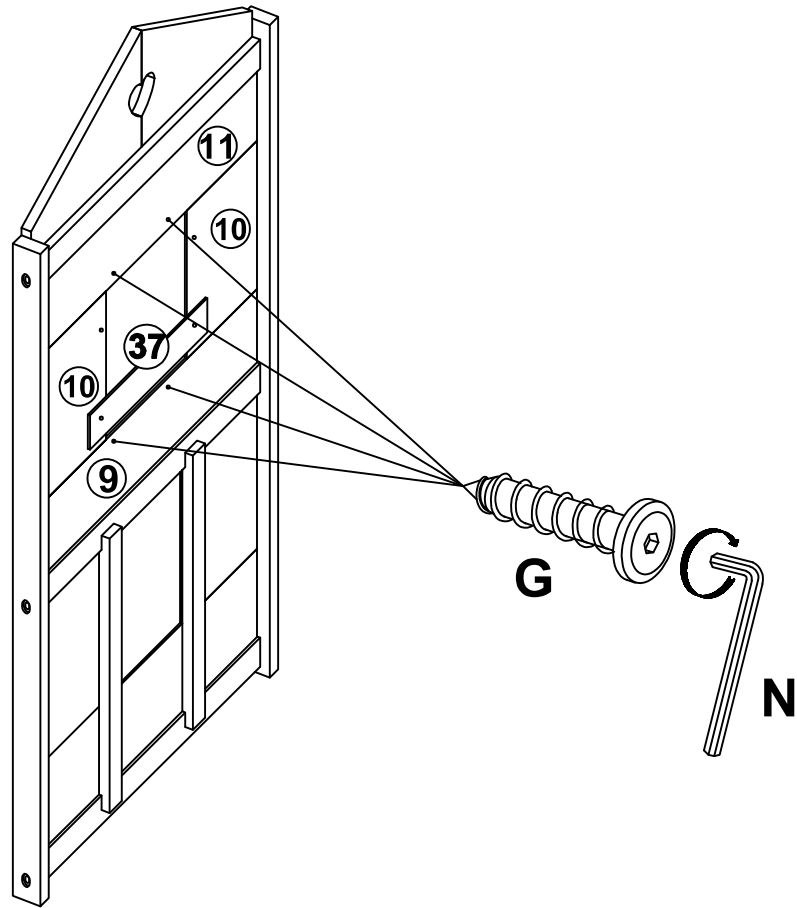


G

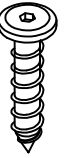


4pcs

# Step 11 :

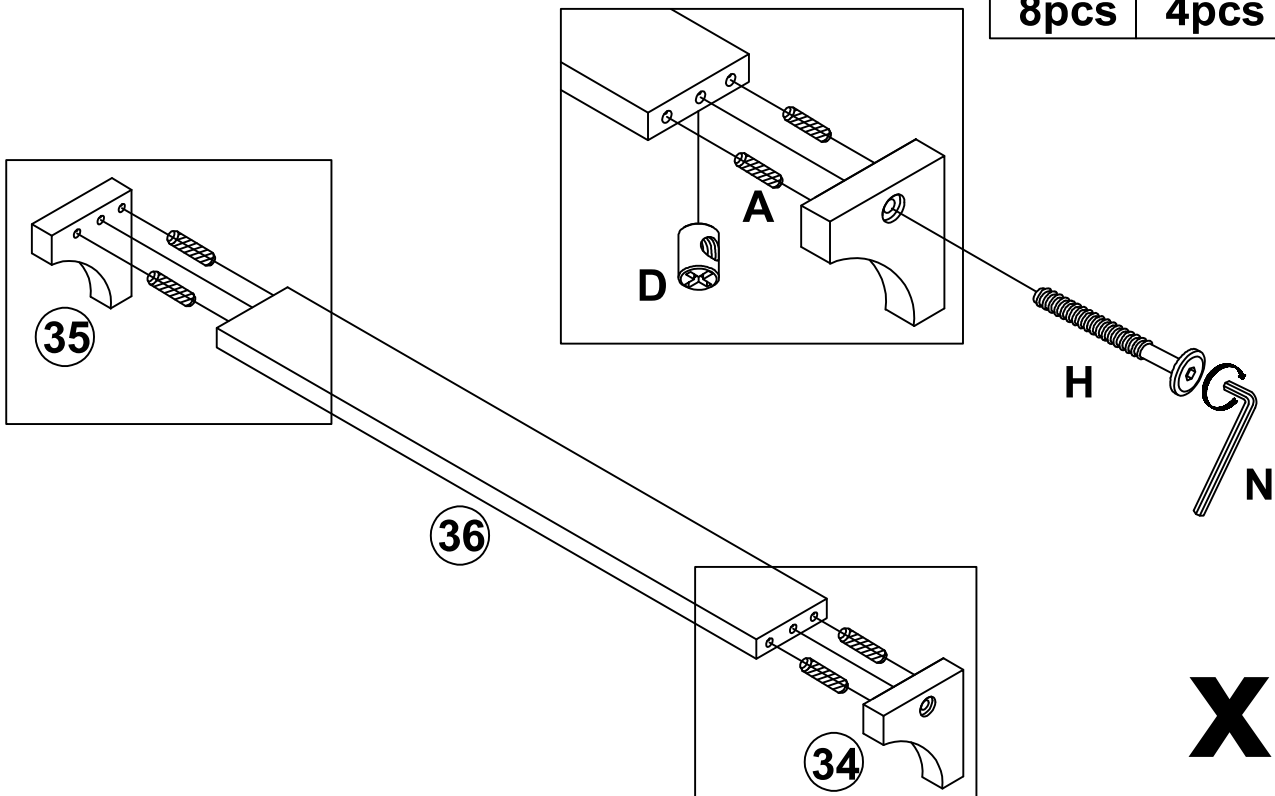


G



4pcs

# Step 12 :

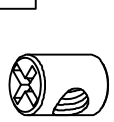


A



8pcs

D



4pcs

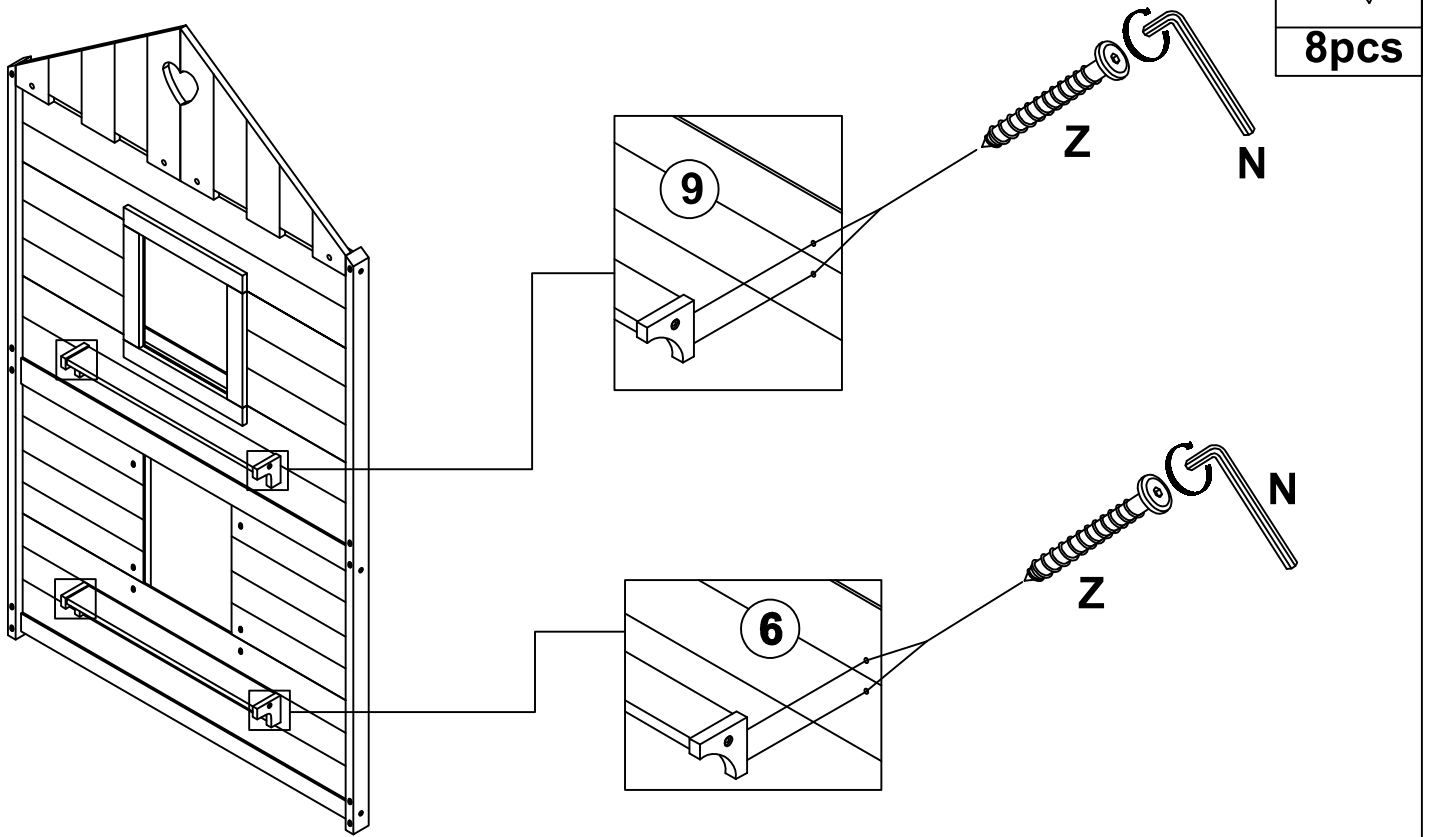
H



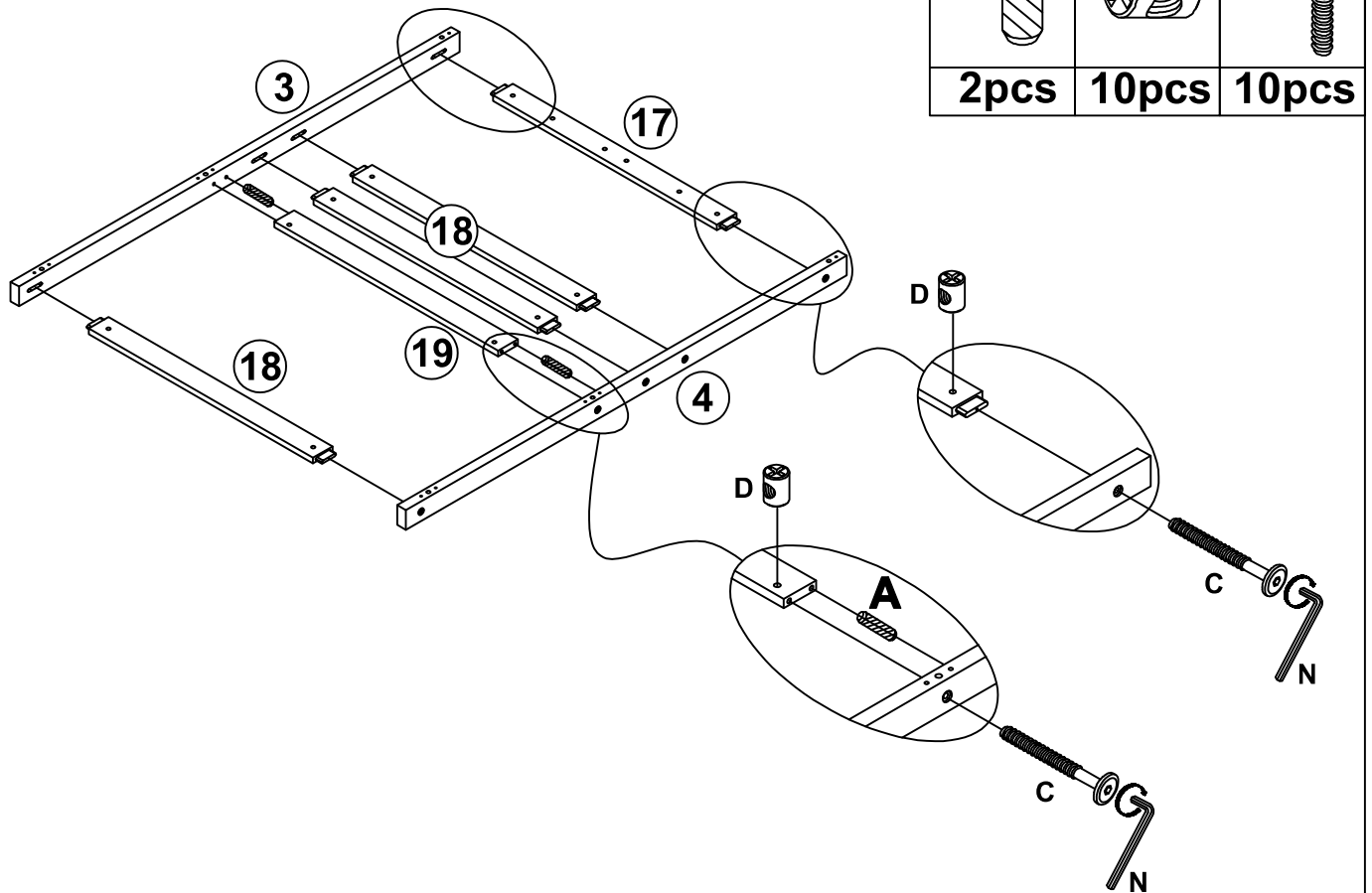
4pcs

x2

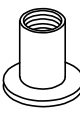

# Step 13 :

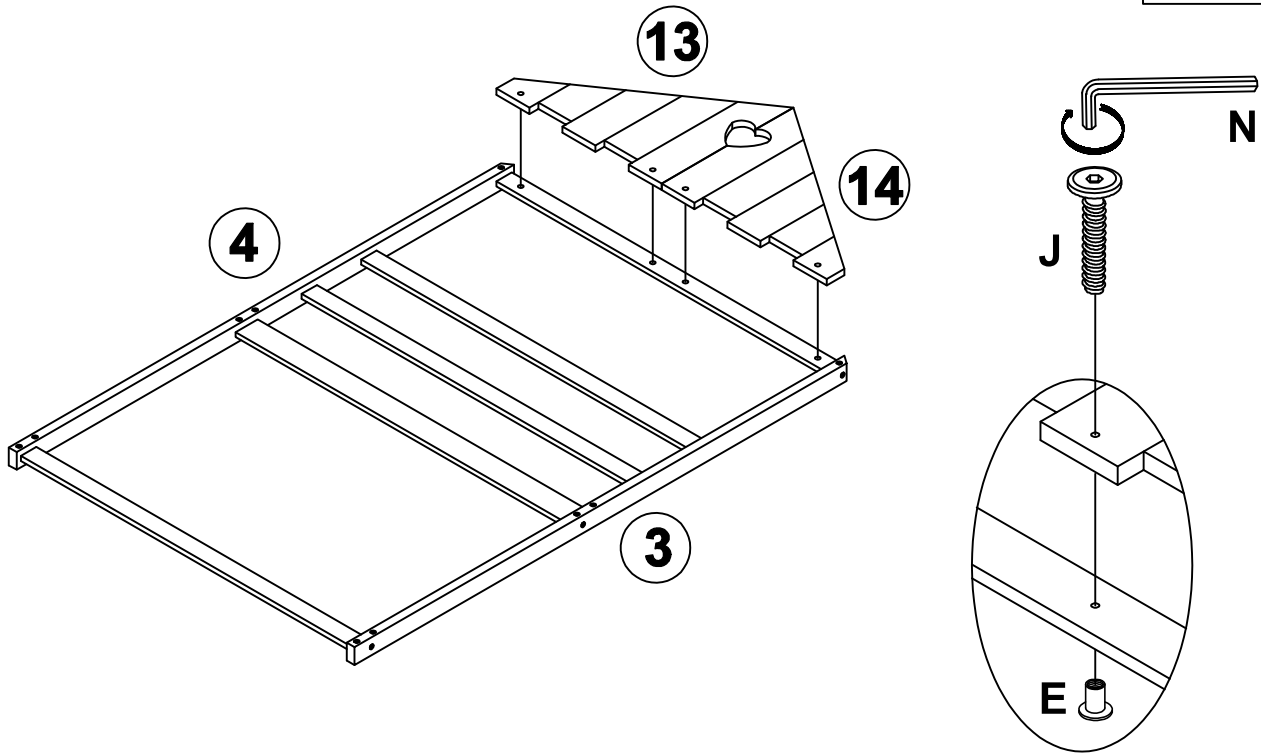


# Step 14 :


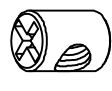



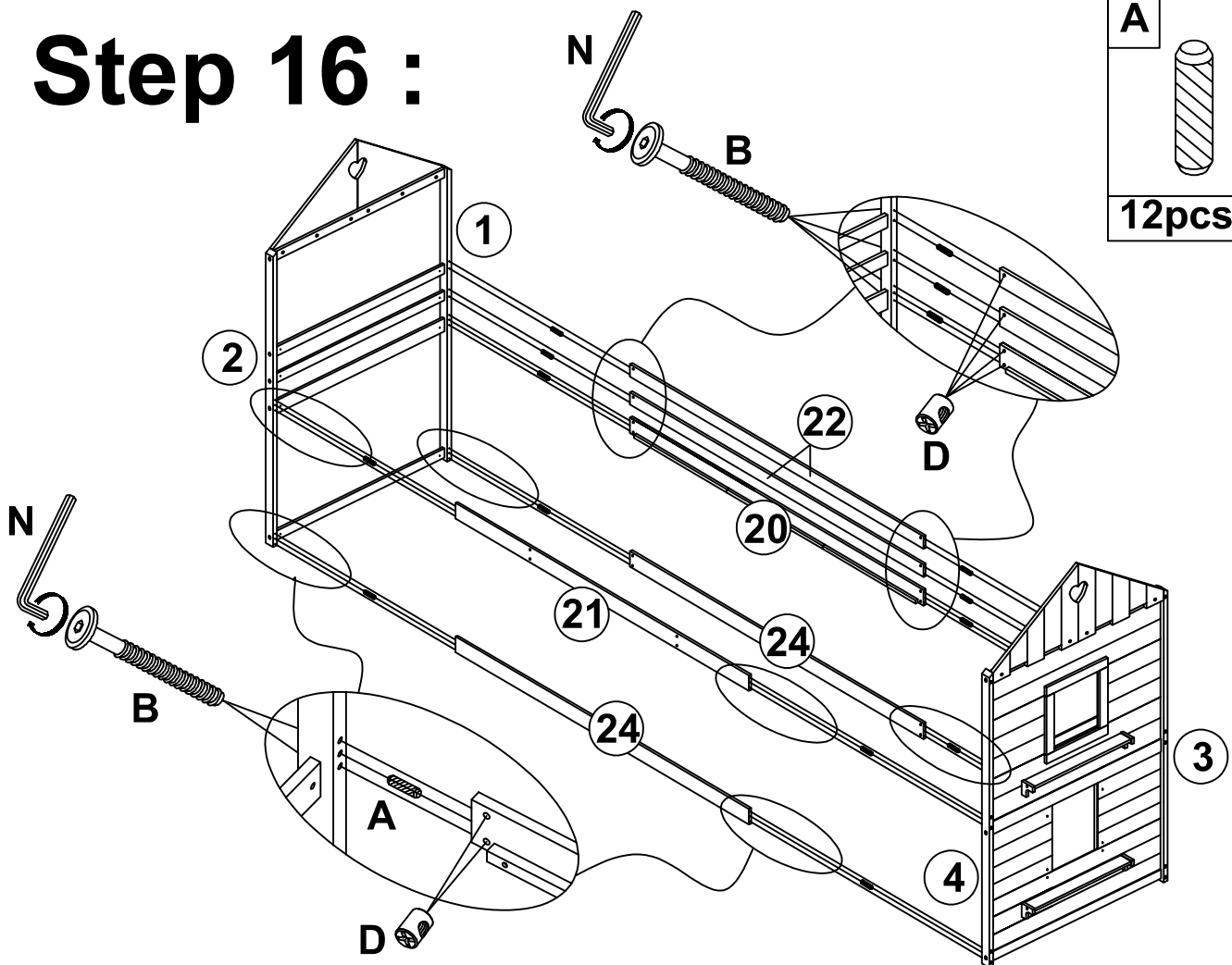
# Step 15 :

<b>E</b>		<b>J</b>	
4pcs		4pcs	

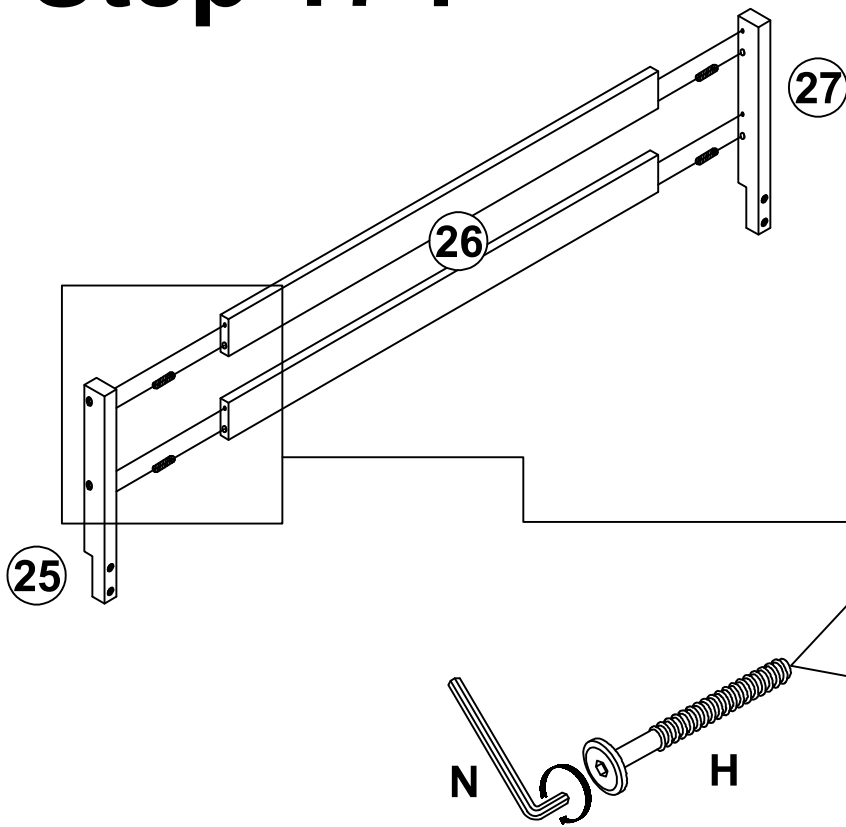





# Step 16 :

<b>A</b>		<b>D</b>	
12pcs		20pcs	
<b>B</b>			
		20pcs	

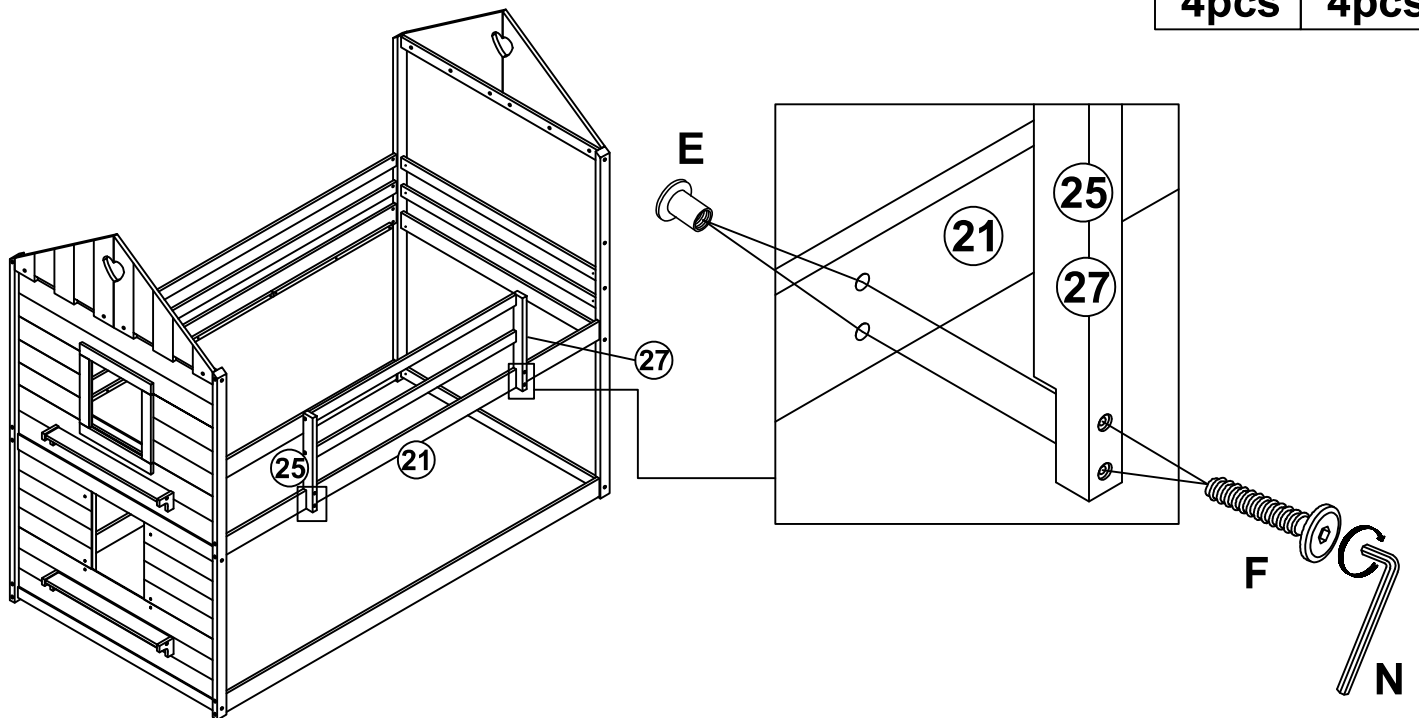


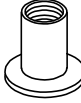

# Step 17 :



<b>A</b>		<b>D</b>	
<b>4pcs</b>		<b>4pcs</b>	
<b>H</b>			
<b>4pcs</b>			

# Step 18 :



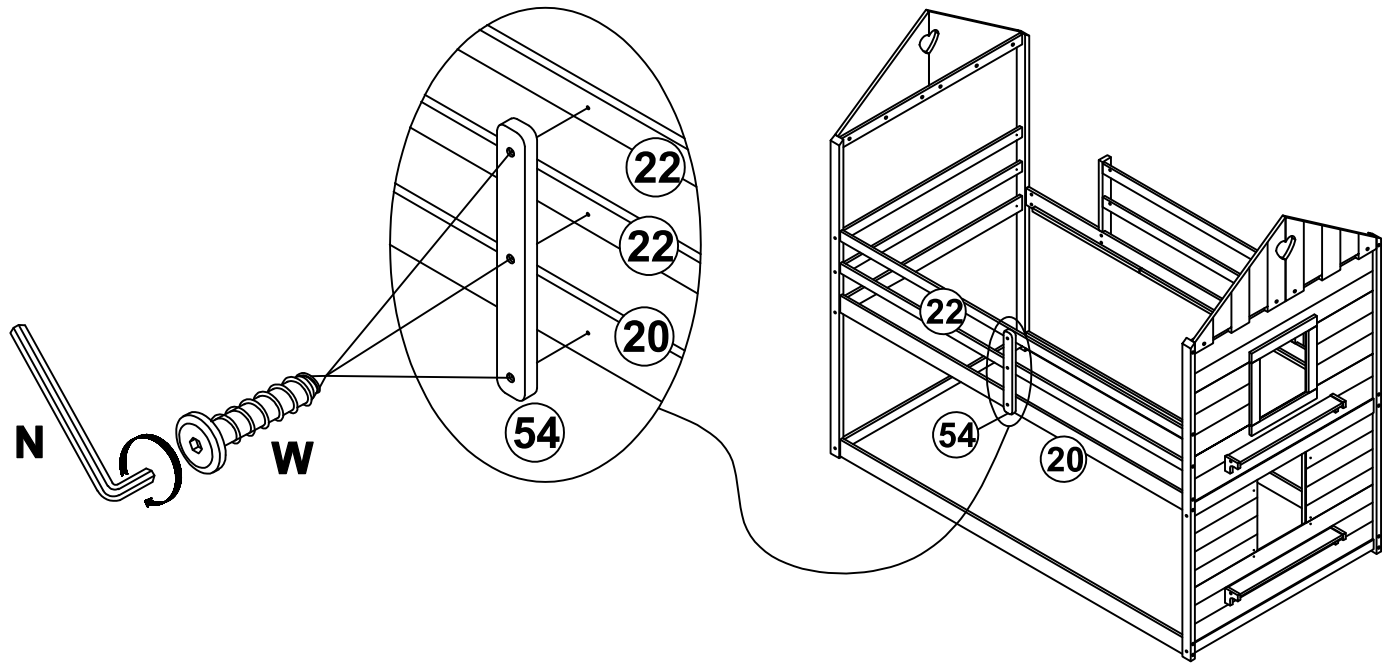
<b>E</b>		<b>F</b>	
<b>4pcs</b>		<b>4pcs</b>	

# Step 19 :

W



3pcs



# Step 20 :

B



4pcs

A



4pcs

D

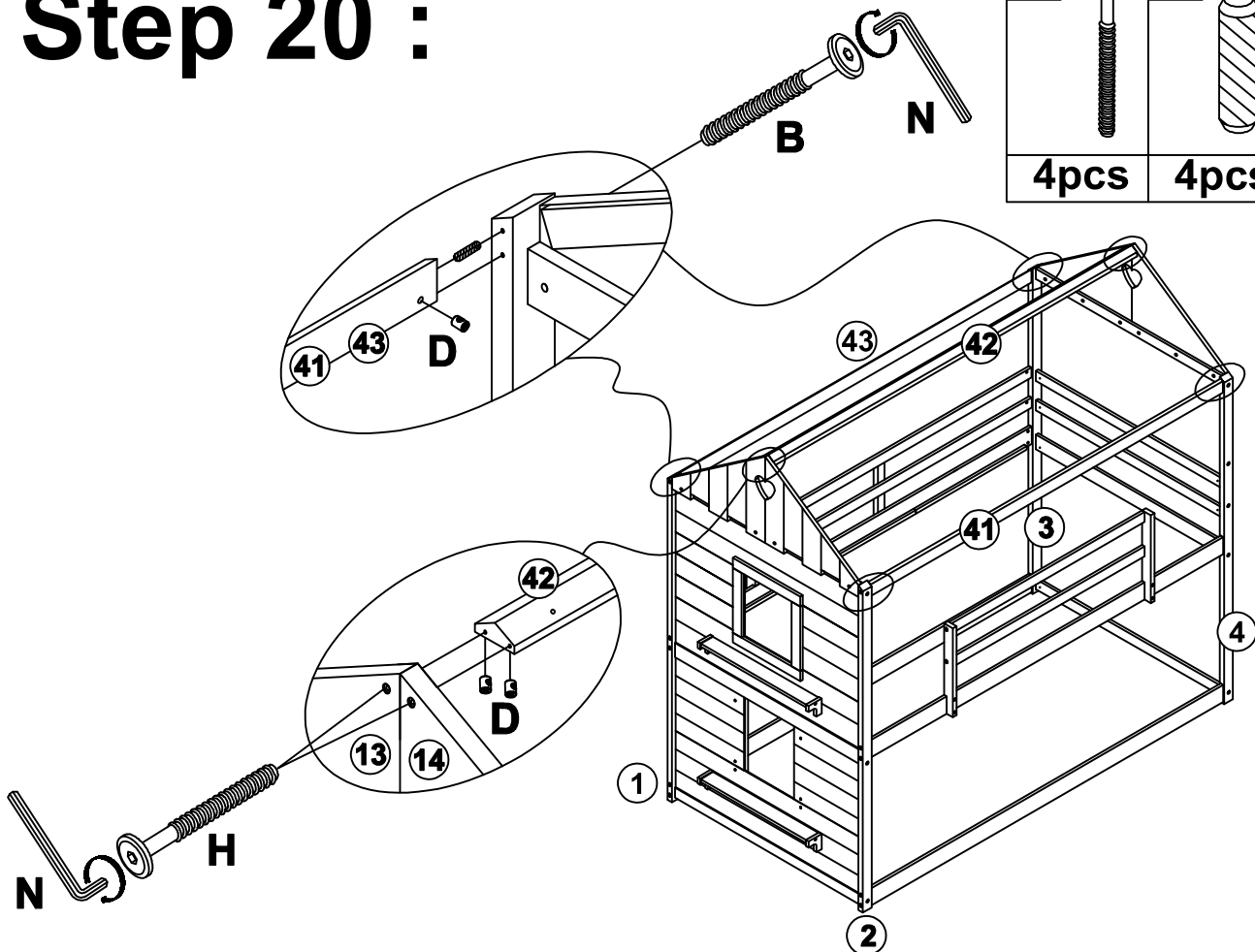


8pcs


H

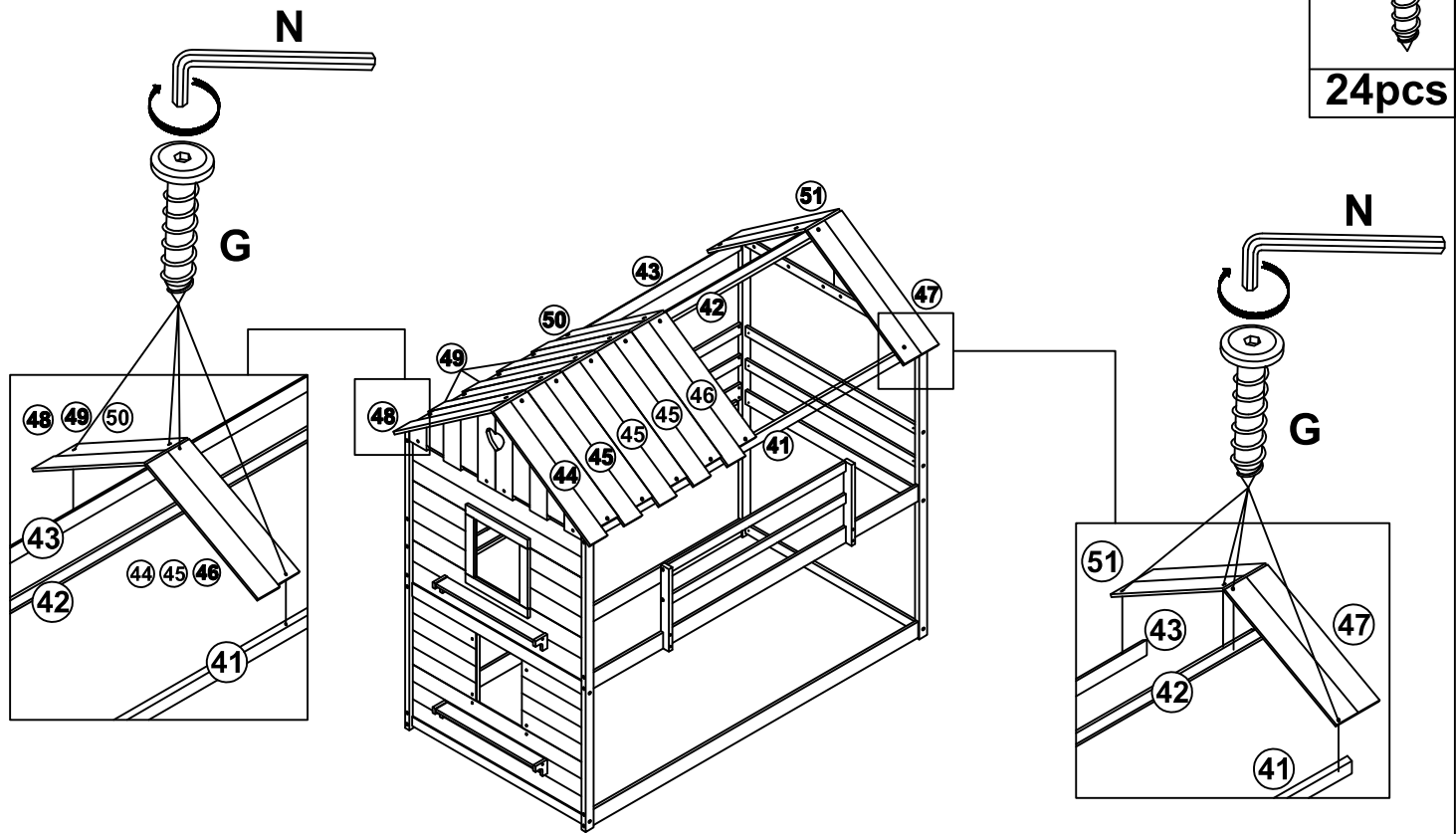


4pcs

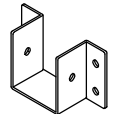
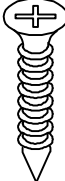


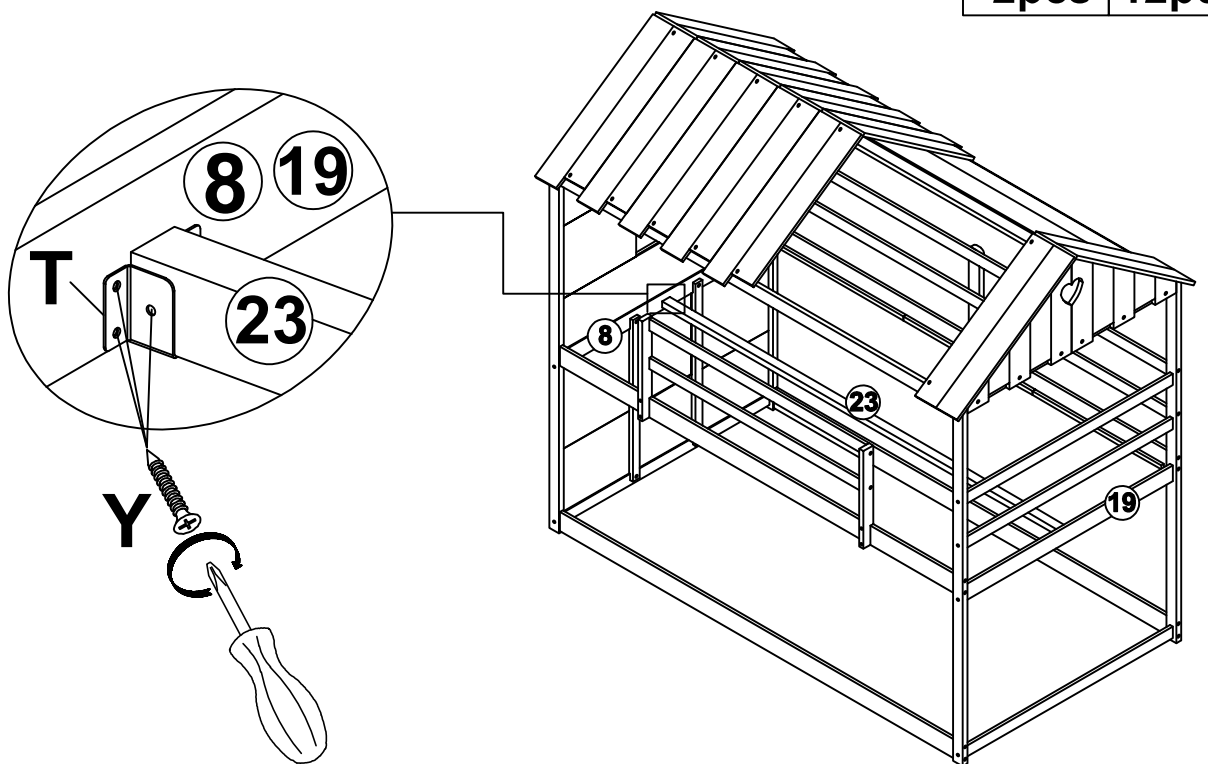
# Step 21 :

<b>G</b>

<b>24pcs</b>

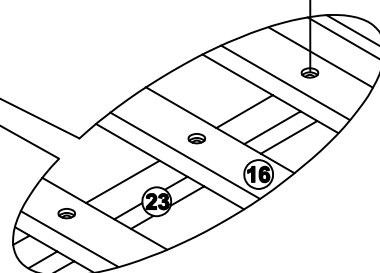
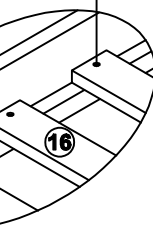
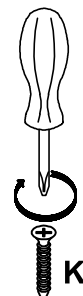
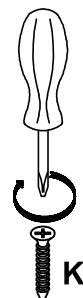
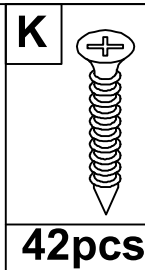
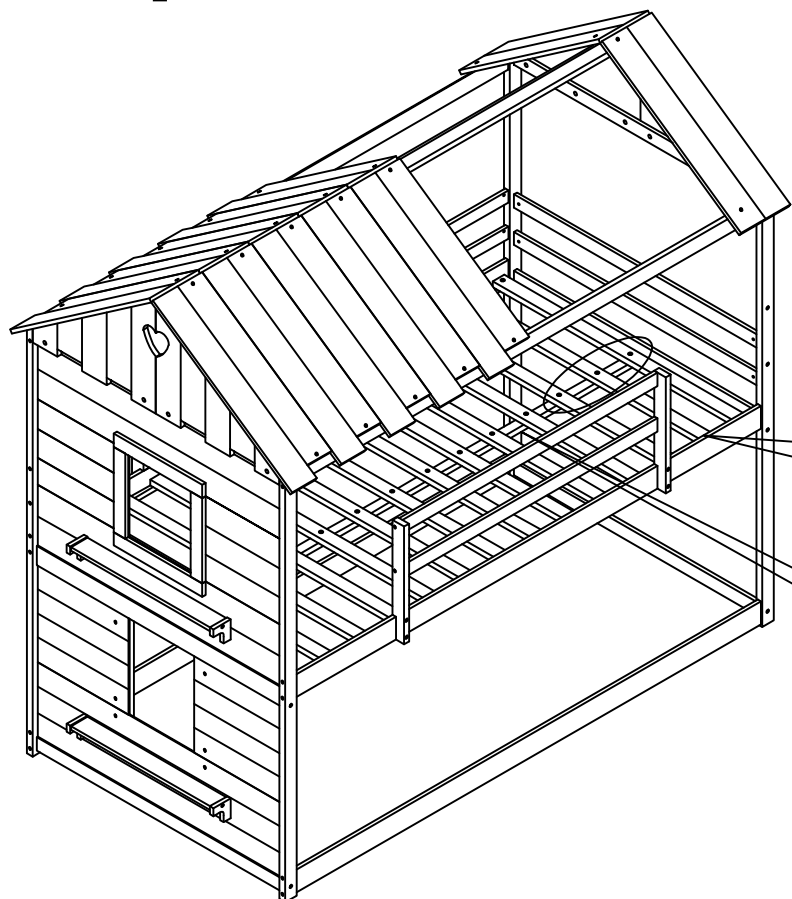


# Step 22 :

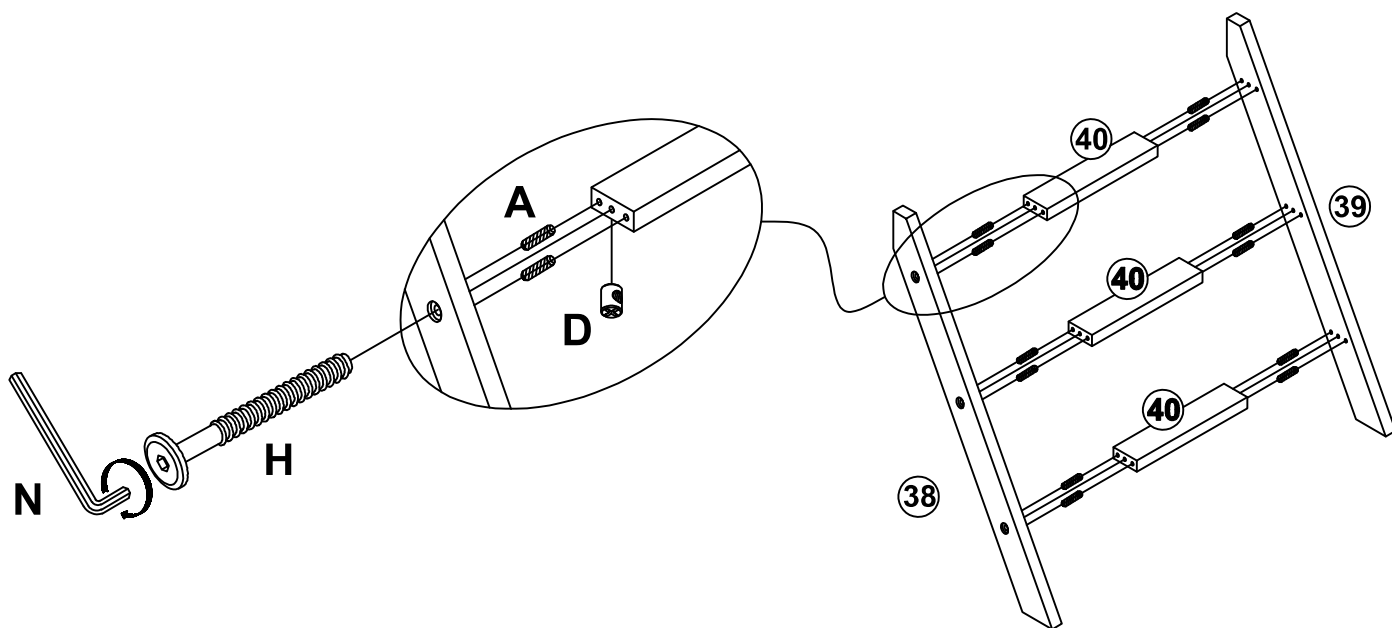
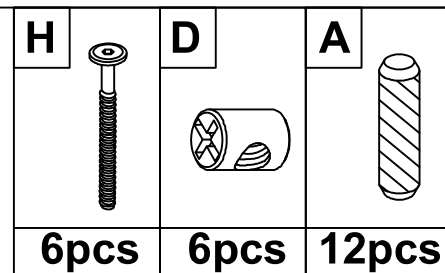
<b>T</b>	<b>Y</b>
	
<b>2pcs</b>	<b>12pcs</b>




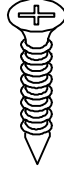
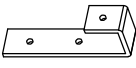
# Step 23 :

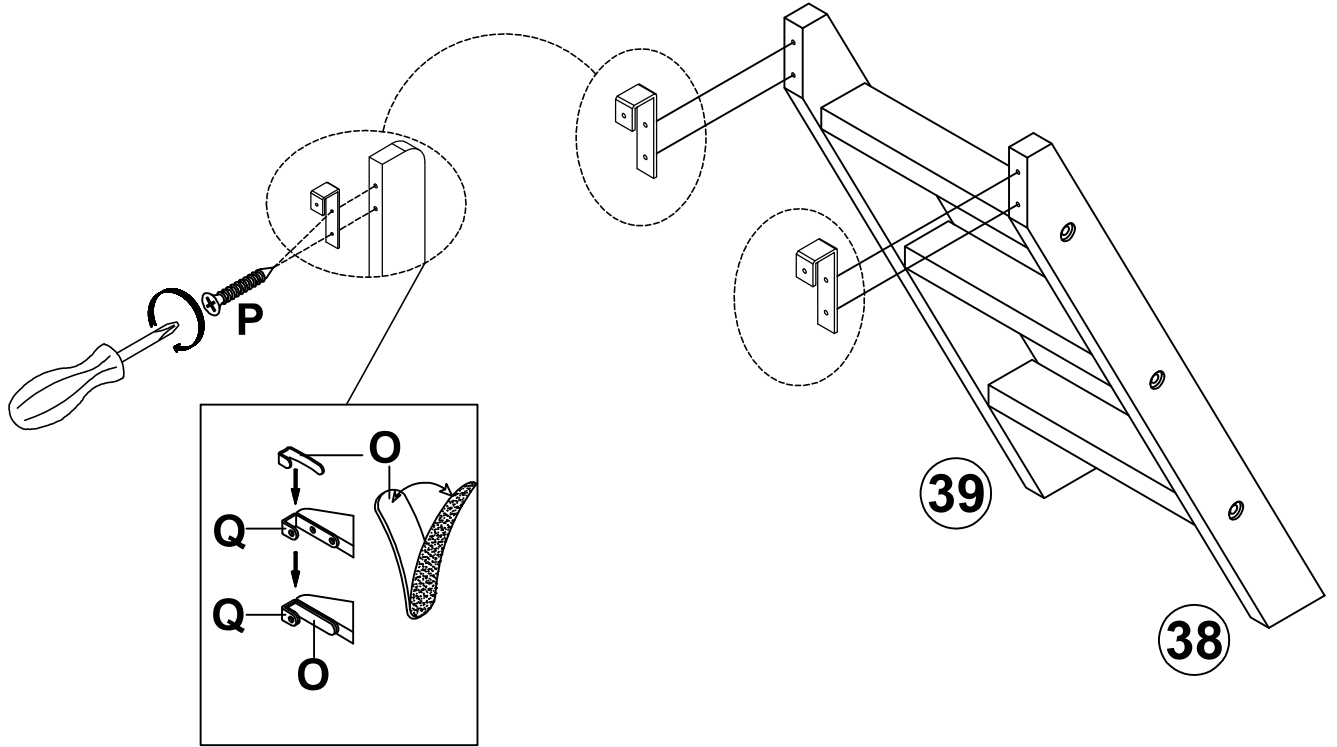


# Step 24 :

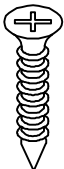


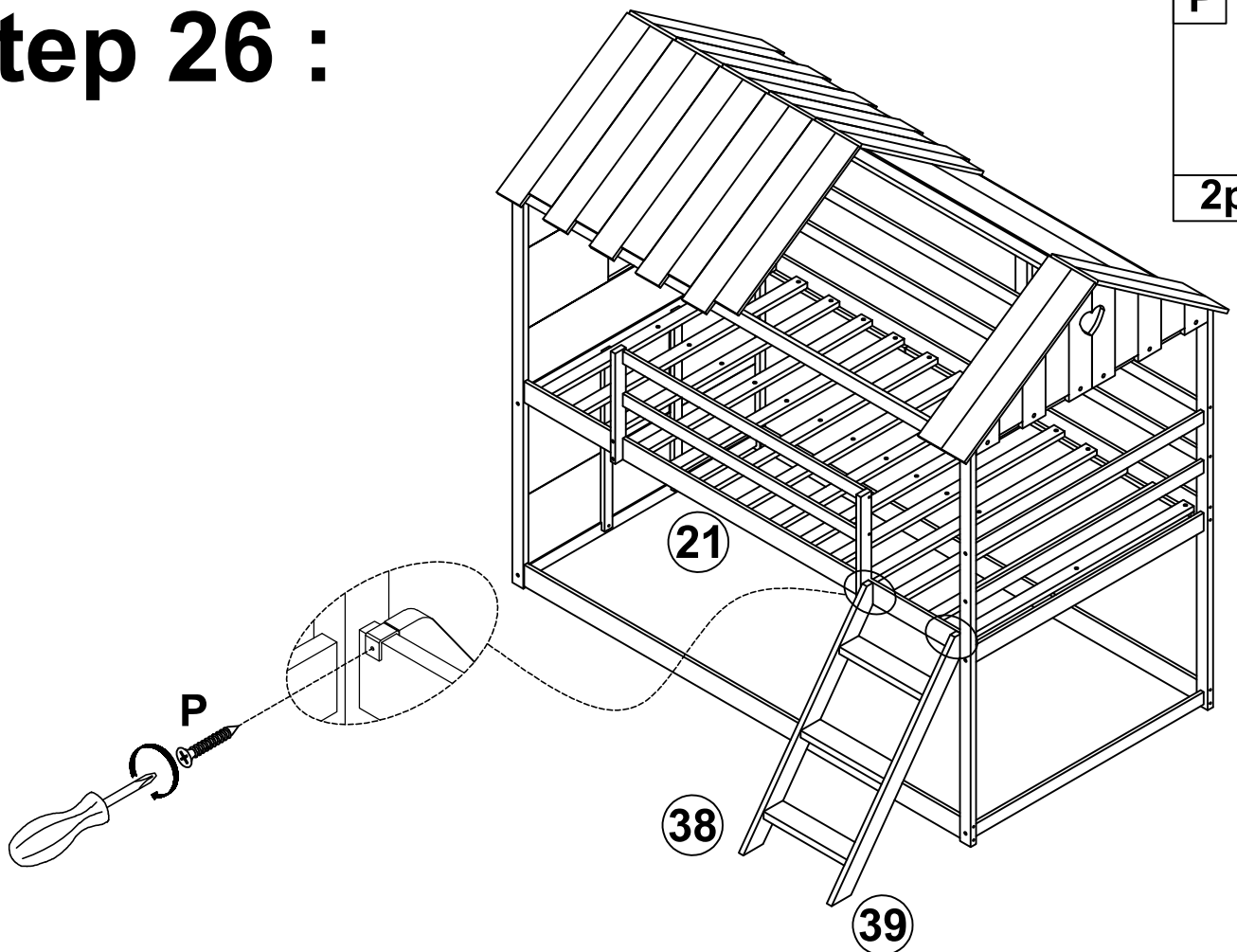
# Step 25 :

<b>O</b>		<b>P</b>		<b>Q</b>	
<b>2pcs</b>		<b>4pcs</b>		<b>2pcs</b>	

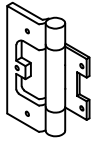



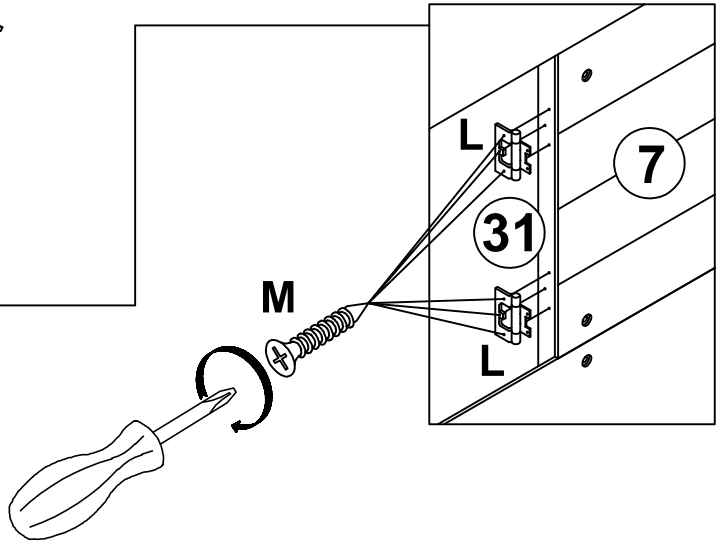
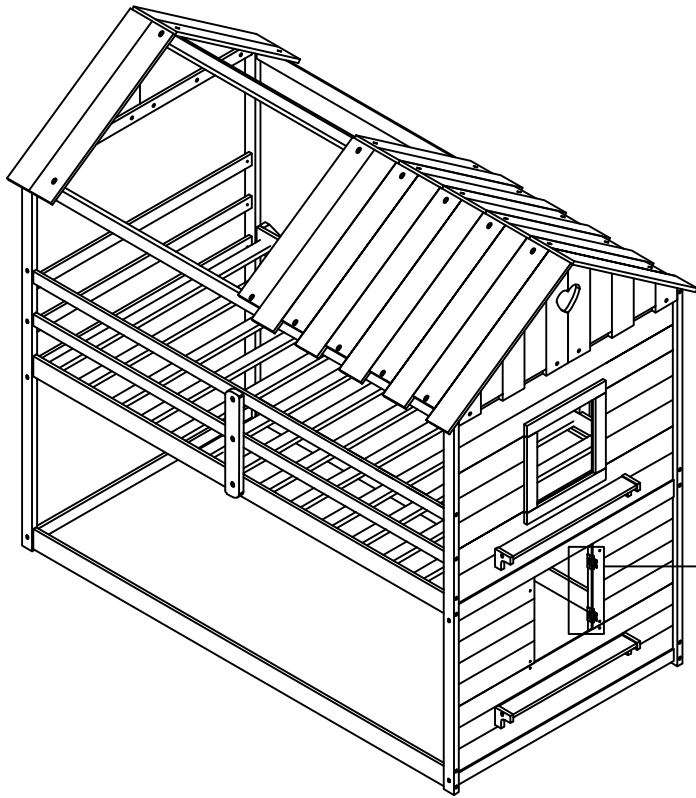
# Step 26 :

<b>P</b>	
<b>2pcs</b>	




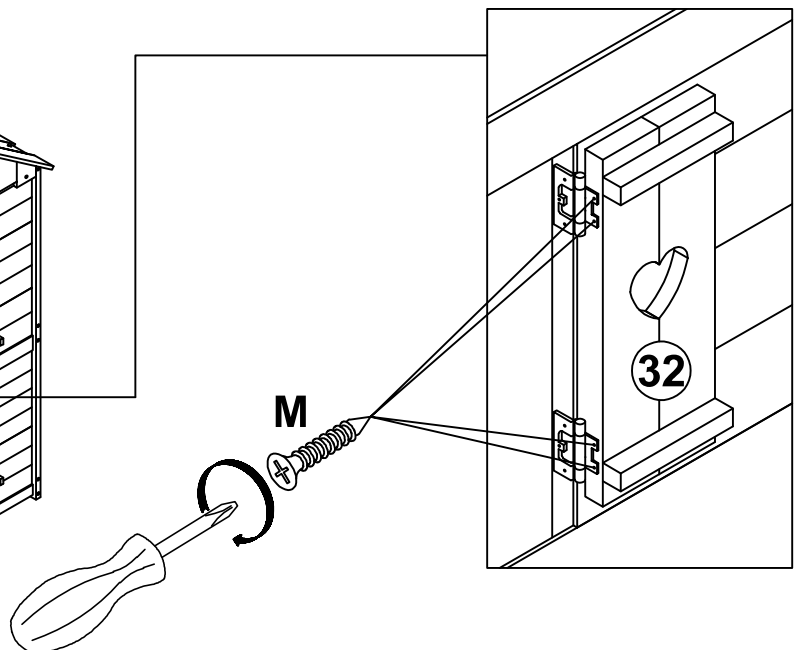
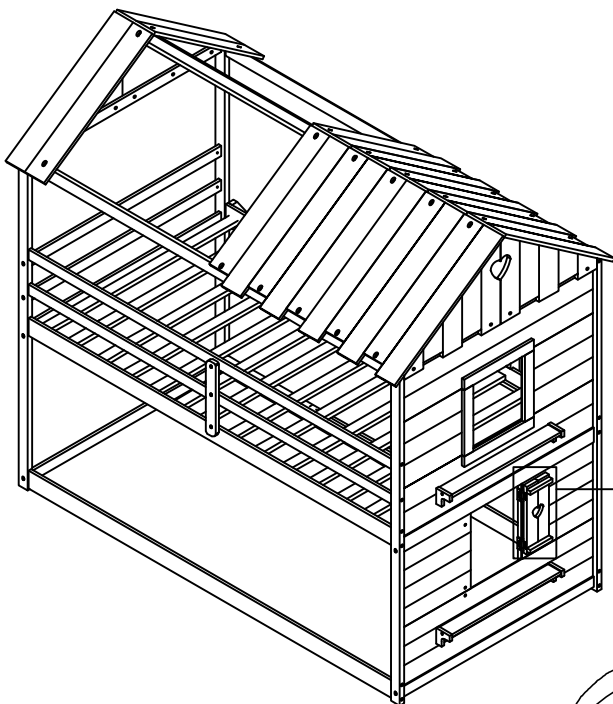
# Step 27 :

L	M
	
2pcs	6pcs

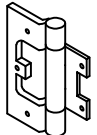



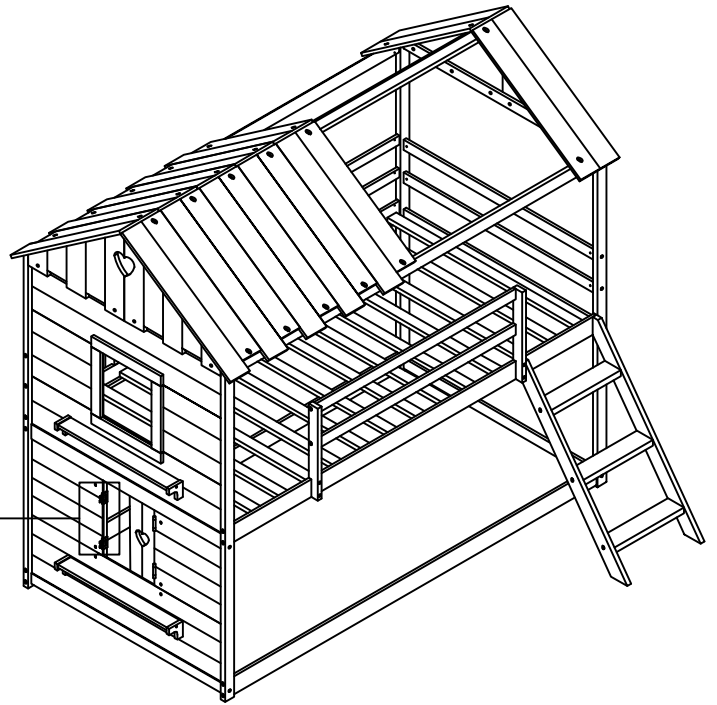
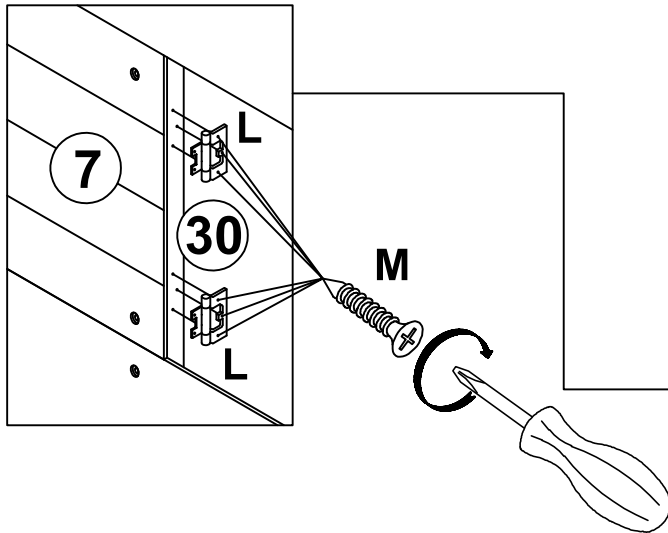
# Step 28 :

M

4pcs




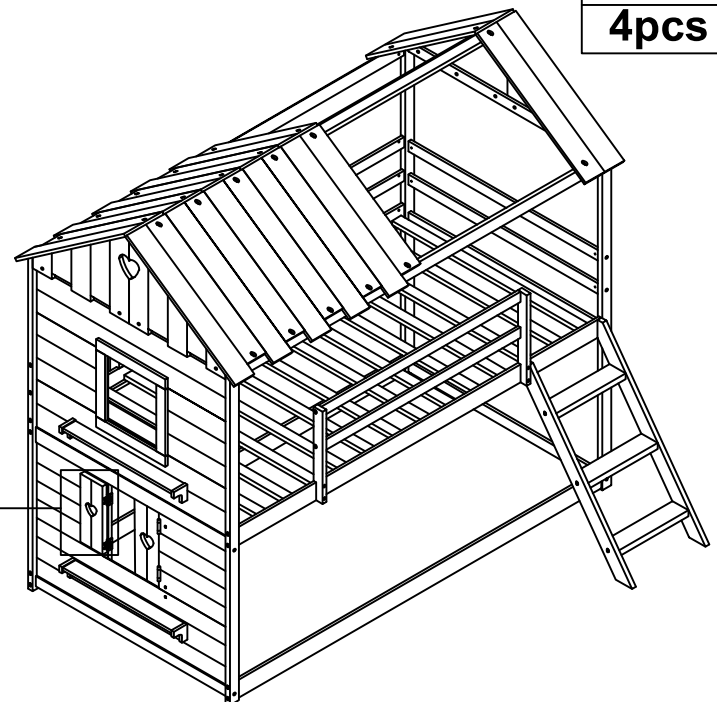
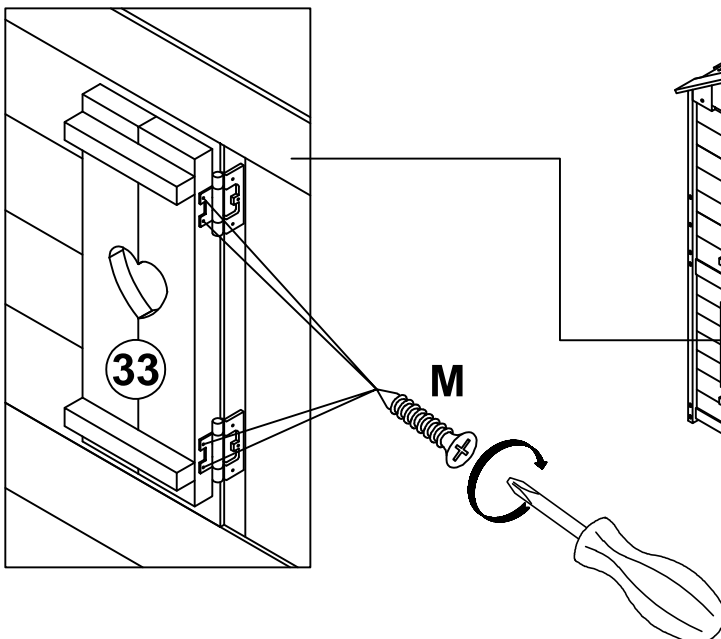
# Step 29 :

L	M
	
2pcs	6pcs



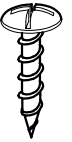
# Step 30 :

M

4pcs

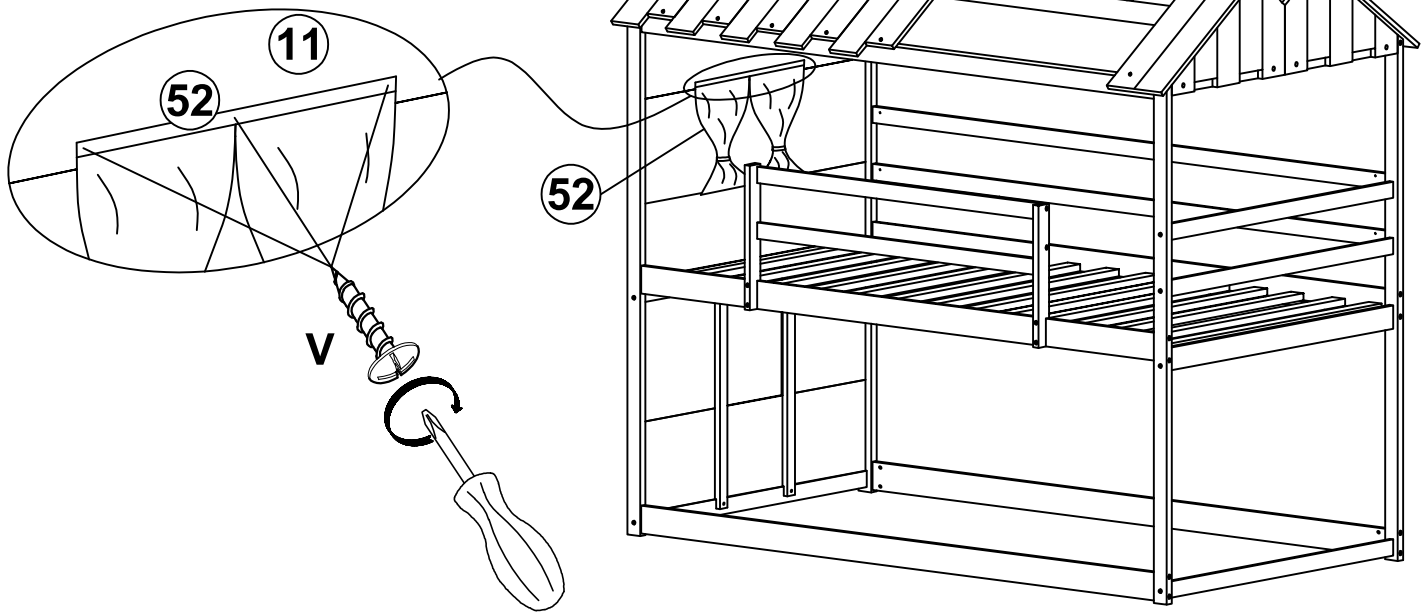


# Step 31 :

V

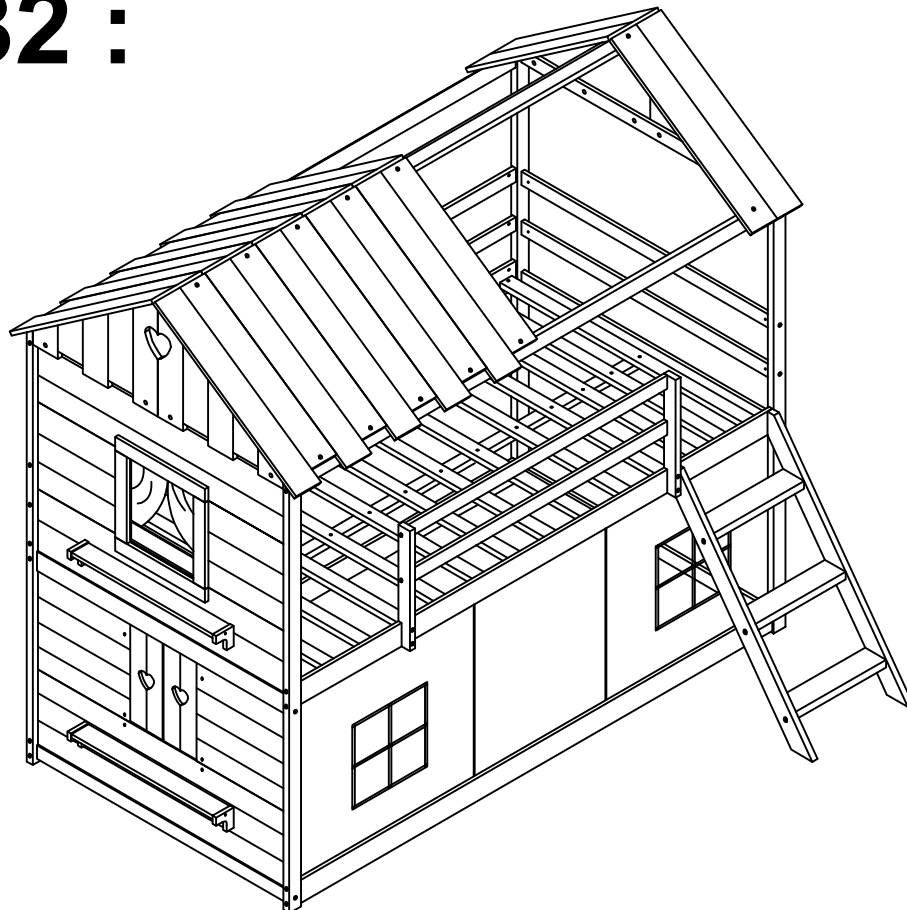


3pcs



**Note:** Divide both sides evenly and then use hardware (M) to fix it with panel (11).

# Step 32 :



**Note:** Divide the two sides evenly, then use a tie to fix them.

# COMPLETED

