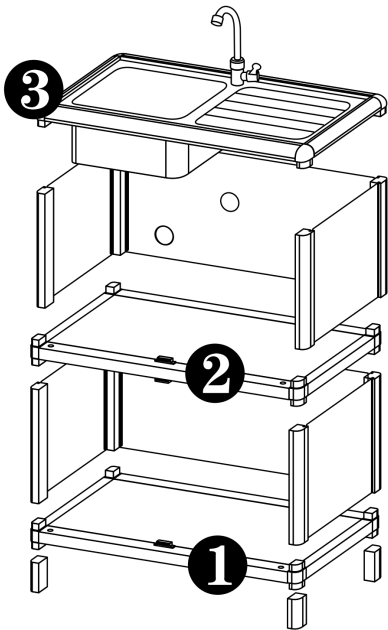

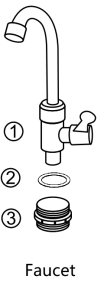
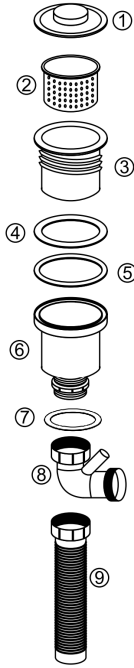
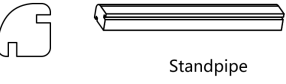
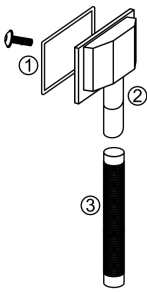


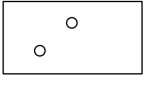
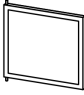


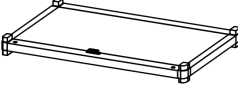
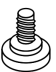

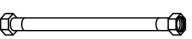
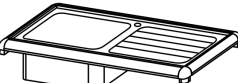
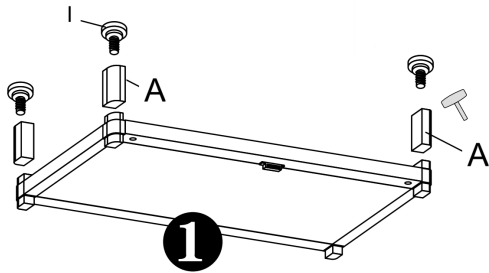


# Assembly Drawing

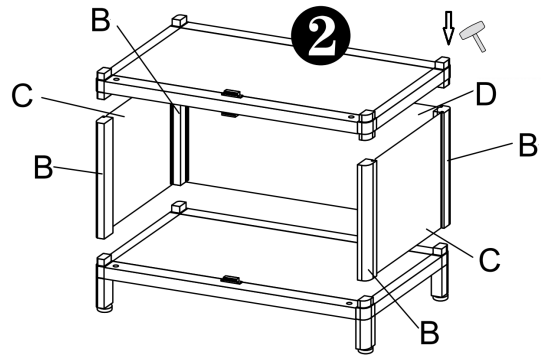


No	Parts	Qty	No		No	
A	 Feet X4		K	 Faucet	M	Basin funnel and outlet pipe 
B	 Standpipe X8		L	 Water basin side leakage pipe		
C	 Sideboard X4					
D	 Backboard X1					
E	 Backboard X1					
F	 Door X4					
G	 Door handle X4					
H	 Install handle screws X8		<b>1</b>	 Bottom layer Have one magnet	X1	
I	 Foot mat X4		<b>2</b>	 Middel layer Have two magnets	X1	
J	 Inlet pipe X1		<b>3</b>	 Top layer	X1	

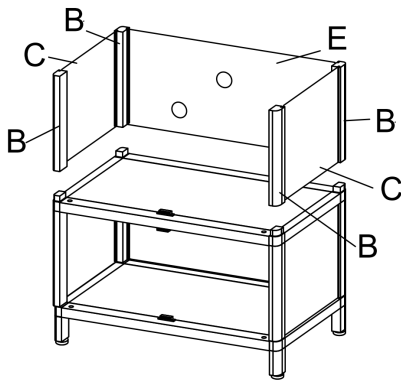
**1** First, turn the bottom board upside down, the magnet facing downwards, install foot (A) on the plastic part and use glue hammer to tighten it, then screw the (I) into the foot.



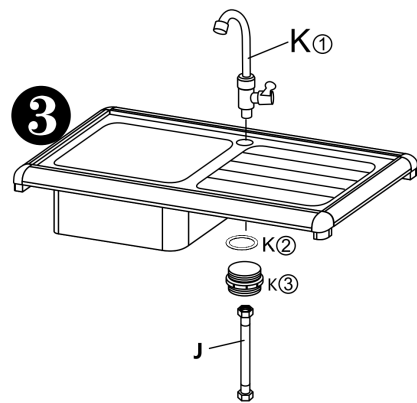
**2**



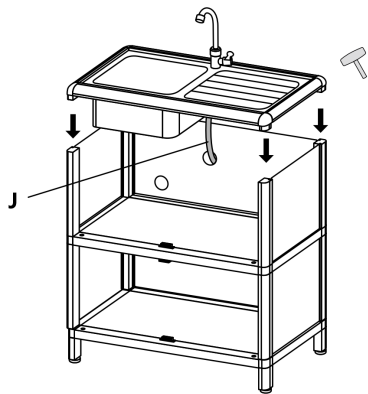
**3**



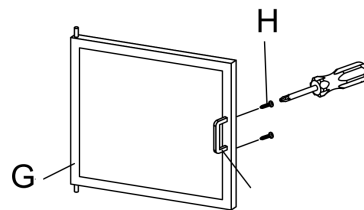
**4**



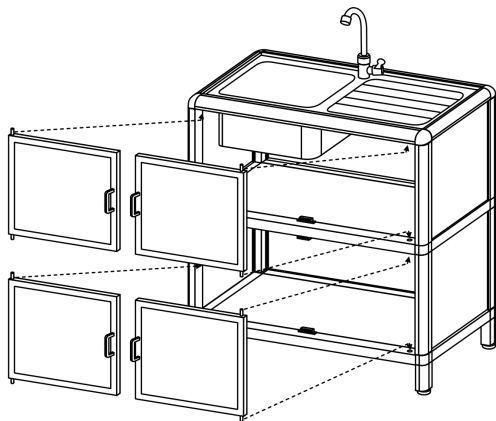
**5**



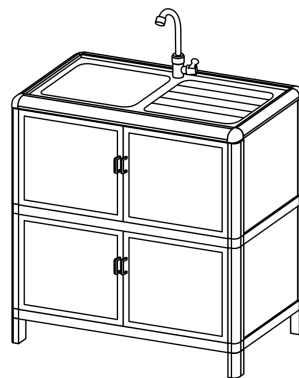
**6**



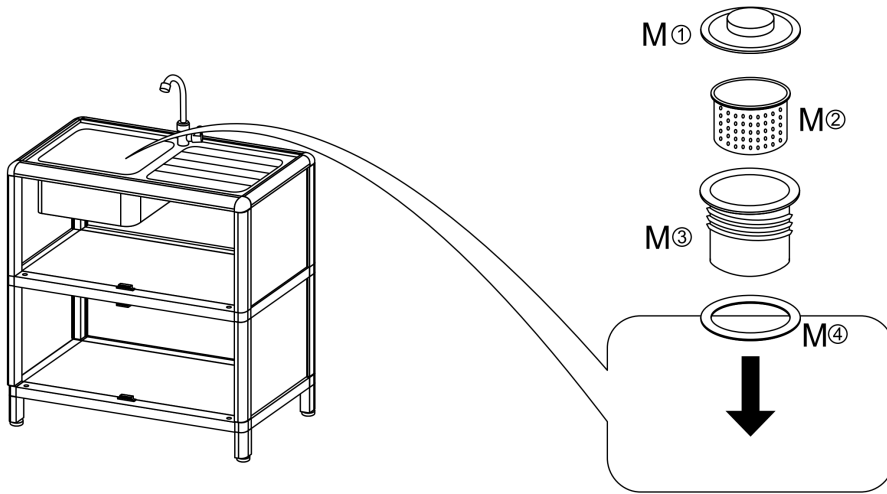
**7**



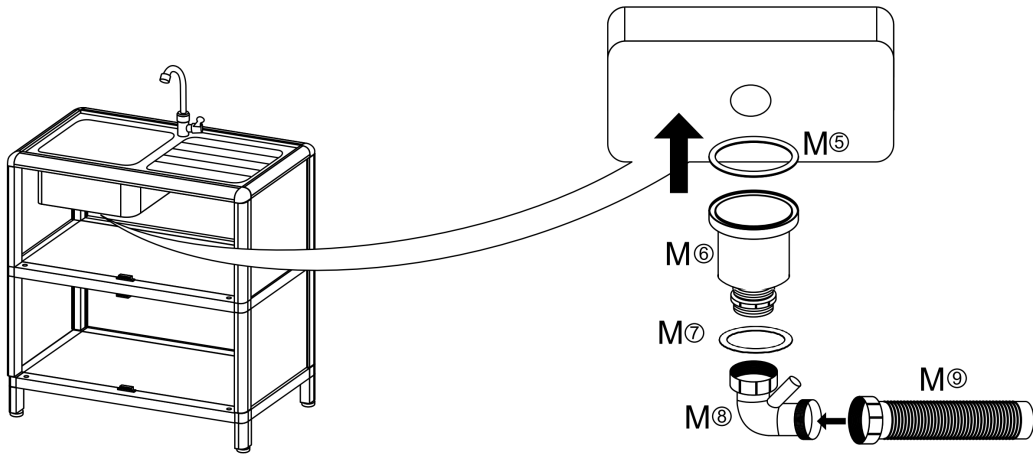
**8**



9



10



11

