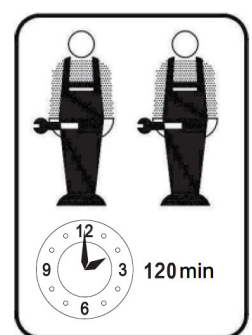
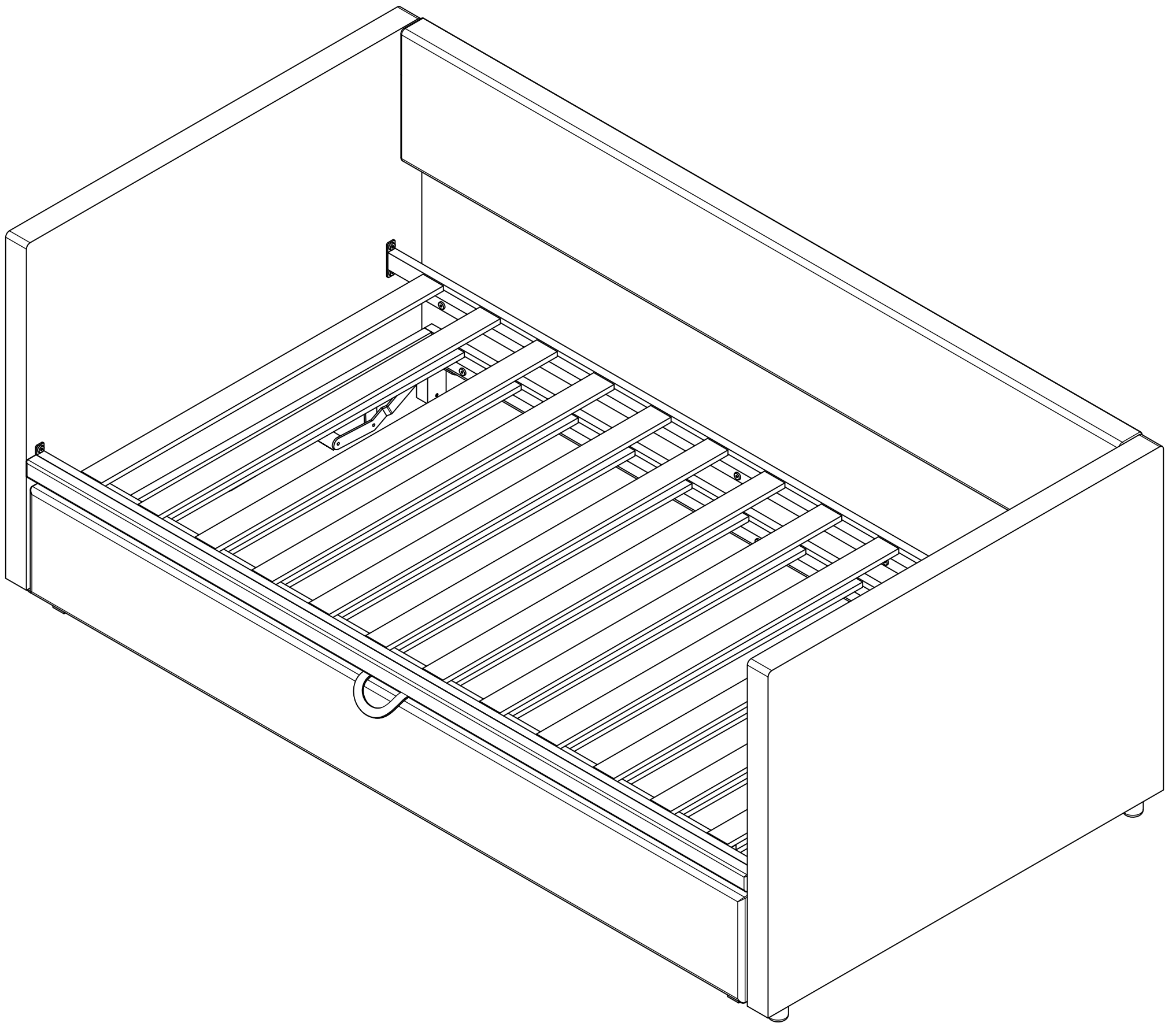


# ASSEMBLY INSTRUCTION

This set comes in 2 boxes. If you do not receive a full 2 boxes, please contact our customer service.

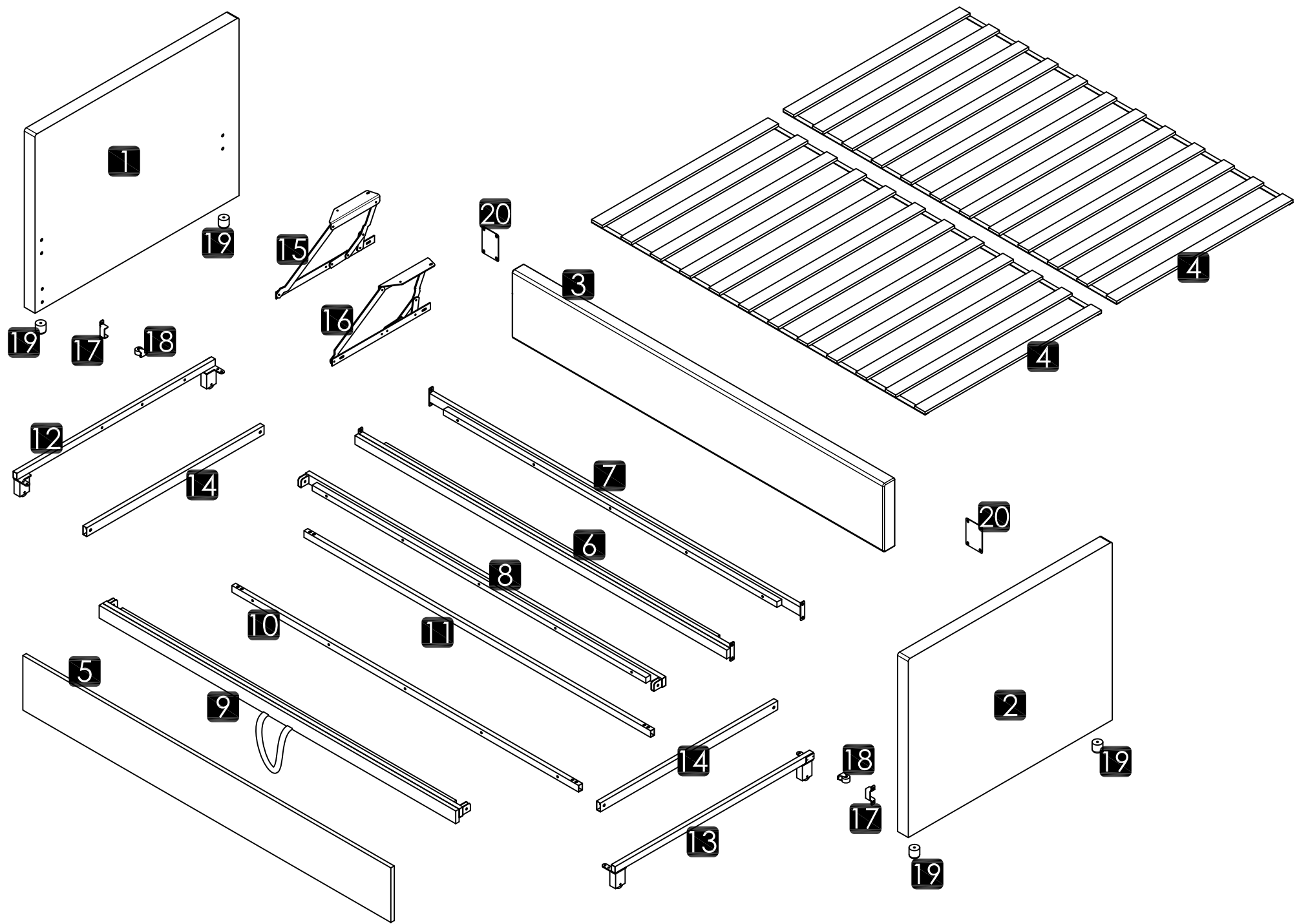
Daybed 190×90cm



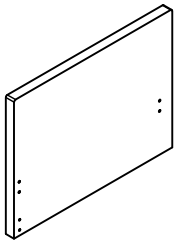
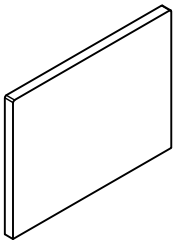
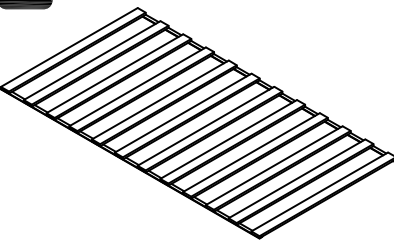
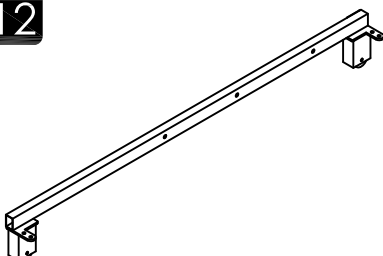
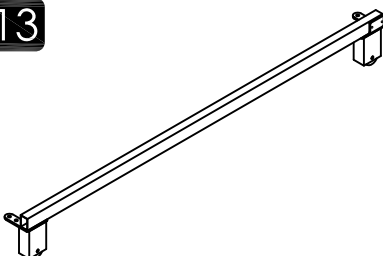
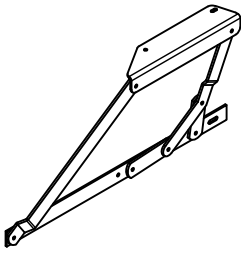
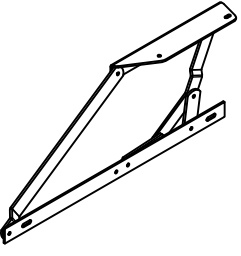
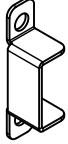
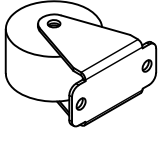
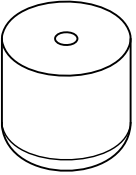
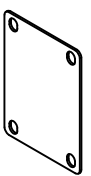
# INSTRUCTIONS

## IMPORTANT-READ CAREFULLY-RETAIN FOR FUTURE REFERENCE

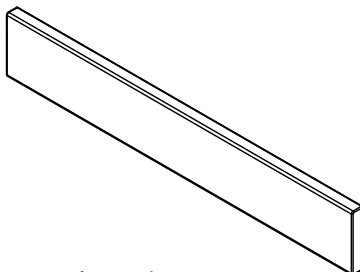
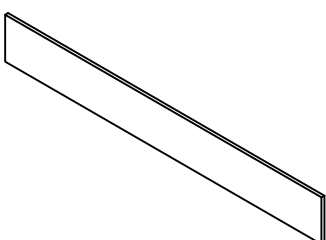
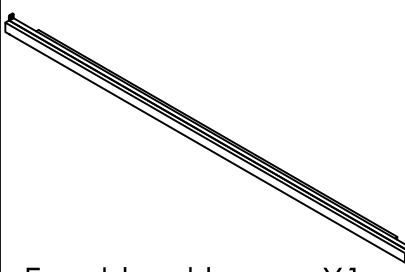
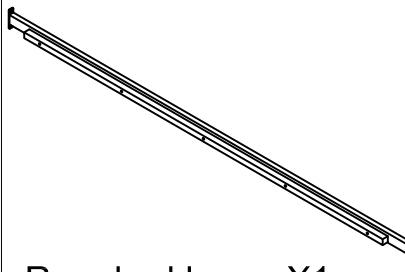
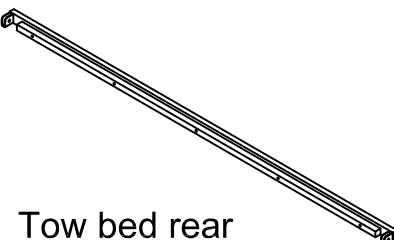
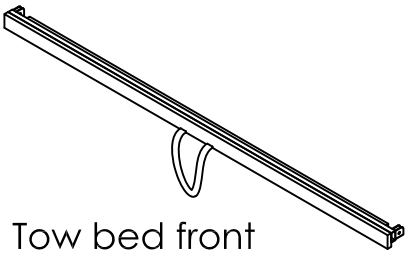
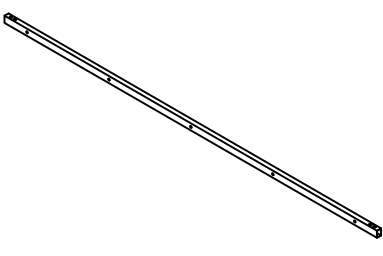
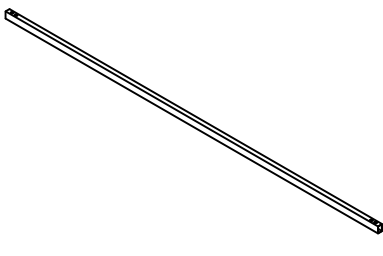
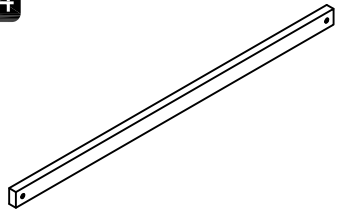
- a) **WARNING** -Children can become trapped between the bed and the wall, the adjoining pieces of furniture (e.g. cupboards) and the Ikea. To avoid risk of serious injury the distance between the safety barrier and the adjoining structure shall not exceed 75 mm or shall be more than 230 mm.
- b) **WARNING**-Do not use the bed if any structural part is broken or missing; Replacement parts are between requested from the manufacturer or the store.
- c) **WARNING**-Do not climb or wiggle on any non-designated structures.
- d) it is imperative to always follow the installation instructions and manufacturer's use.
- e) The recommended size of the mattress to be used with the bed is 90cmx190cm,maximum thickness mattress:13cm.
- f) It is necessary to ventilate the room in order to maintain a low level moisture and prevent mold growth in the bed and its periphery.
- g) Joining devices should always be tightened properly and regularly verified. Tighten if necessary.



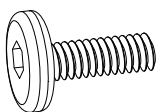
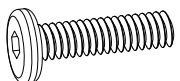
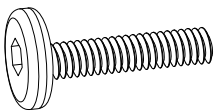

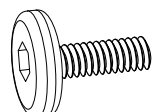

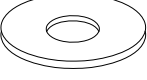
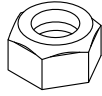
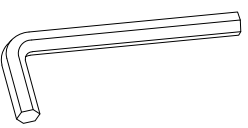

## Part List

<p><b>1</b></p>  <p>Armrest - L X1</p>	<p><b>2</b></p>  <p>Armrest - R X1</p>	<p><b>4</b></p>  <p>Slats X2</p>	<p><b>12</b></p>  <p>Tow bed side pipe - L X1</p>	<p><b>13</b></p>  <p>Tow bed side pipe - R X1</p>
<p><b>15</b></p>  <p>Lift Mechanism - L X1</p>	<p><b>16</b></p>  <p>Lift Mechanism - R X1</p>	<p><b>17</b></p>  <p>Positioning iron sheet X2</p>	<p><b>18</b></p>  <p>Side wheel X2</p>	<p><b>19</b></p>  <p>Legs X4</p>
<p><b>20</b></p>  <p>Connecting iron sheet X2</p>				

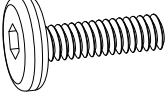


## Part List

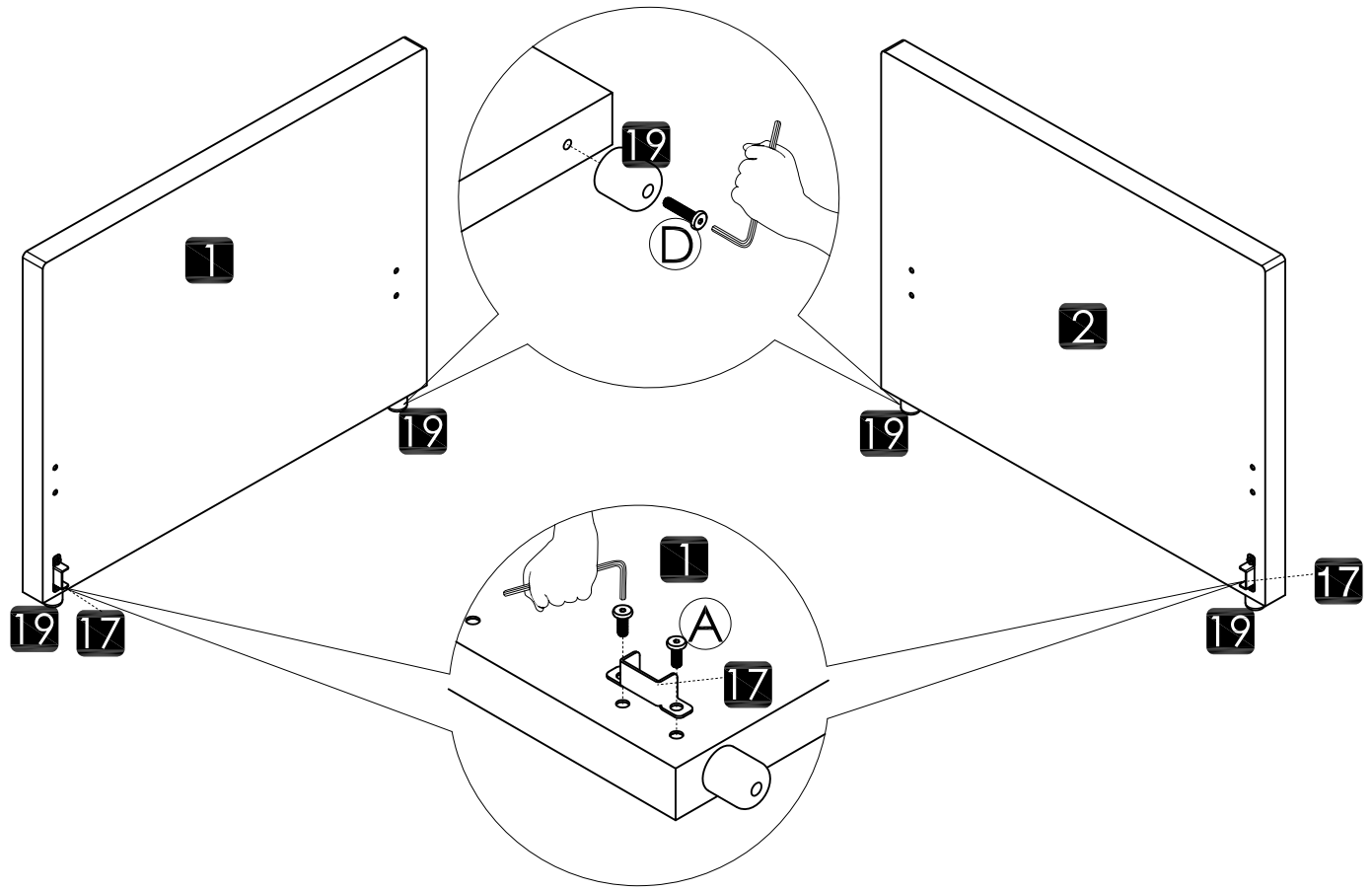
<p><b>3</b></p>  <p>Backrest X1</p>	<p><b>5</b></p>  <p>Tow bed panel X1</p>	<p><b>6</b></p>  <p>Front bed beam X1</p>	<p><b>7</b></p>  <p>Rear bed beam X1</p>	<p><b>8</b></p>  <p>Tow bed rear bed beam X1</p>
<p><b>9</b></p>  <p>Tow bed front bed beam X1</p>	<p><b>10</b></p>  <p>Tow bed front tube X1</p>	<p><b>11</b></p>  <p>Tow bed rear pipe X1</p>	<p><b>14</b></p>  <p>Tow bed upper side pipe X2</p>	

## Hardware List

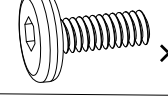

<p><b>A</b></p>  <p>Bolts(M8x20mm) X20</p>	<p><b>B</b></p>  <p>Bolts(M8x30mm) X4</p>	<p><b>C</b></p>  <p>Bolts(M8x40mm) X8</p>	<p><b>D</b></p>  <p>Bolts(M6x35mm) X9</p>	<p><b>E</b></p>  <p>Bolts(M6x16mm) X10</p>
<p><b>F</b></p>  <p>Bolts (M4x10mm) X4</p>	<p><b>G</b></p>  <p>Flat Washer X4</p>	<p><b>H</b></p>  <p>Non-slip nuts(M8) X4</p>	<p><b>J</b></p>  <p>Allen Key X1</p>	<p><b>K</b></p>  <p>Spanner X1</p>

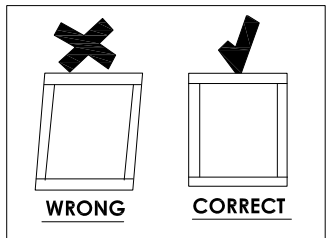
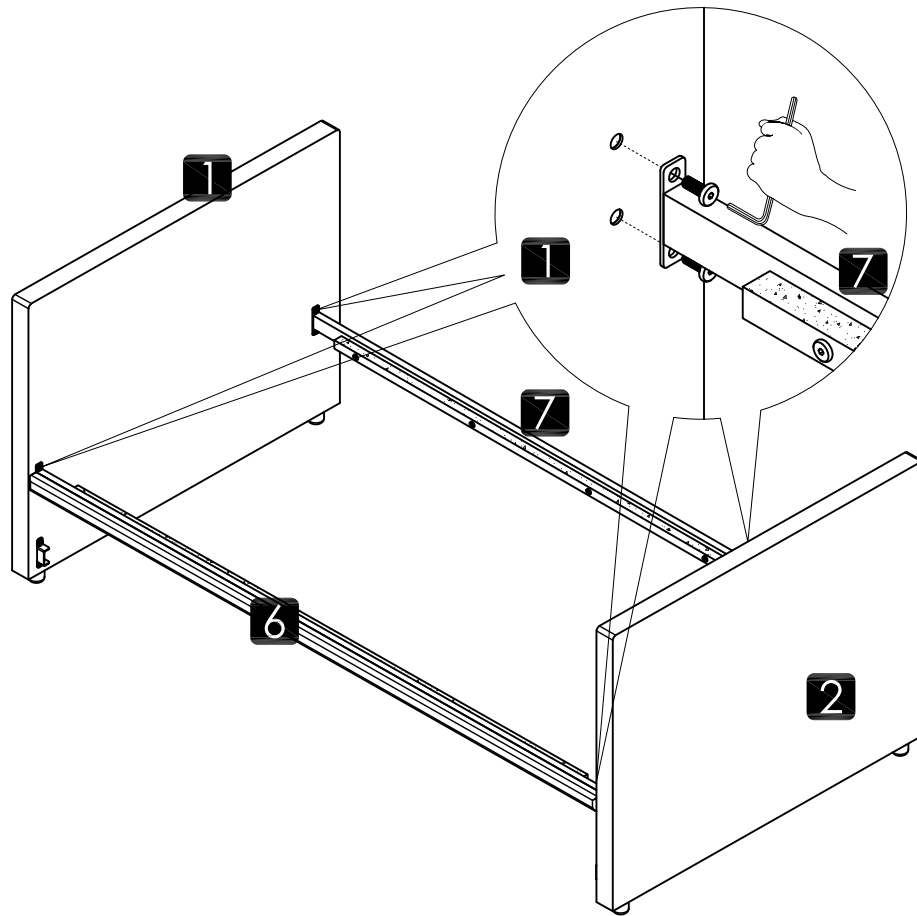
# Step 1

- A**  x4
- D**  x4
- J**  x1

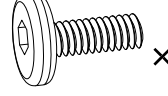



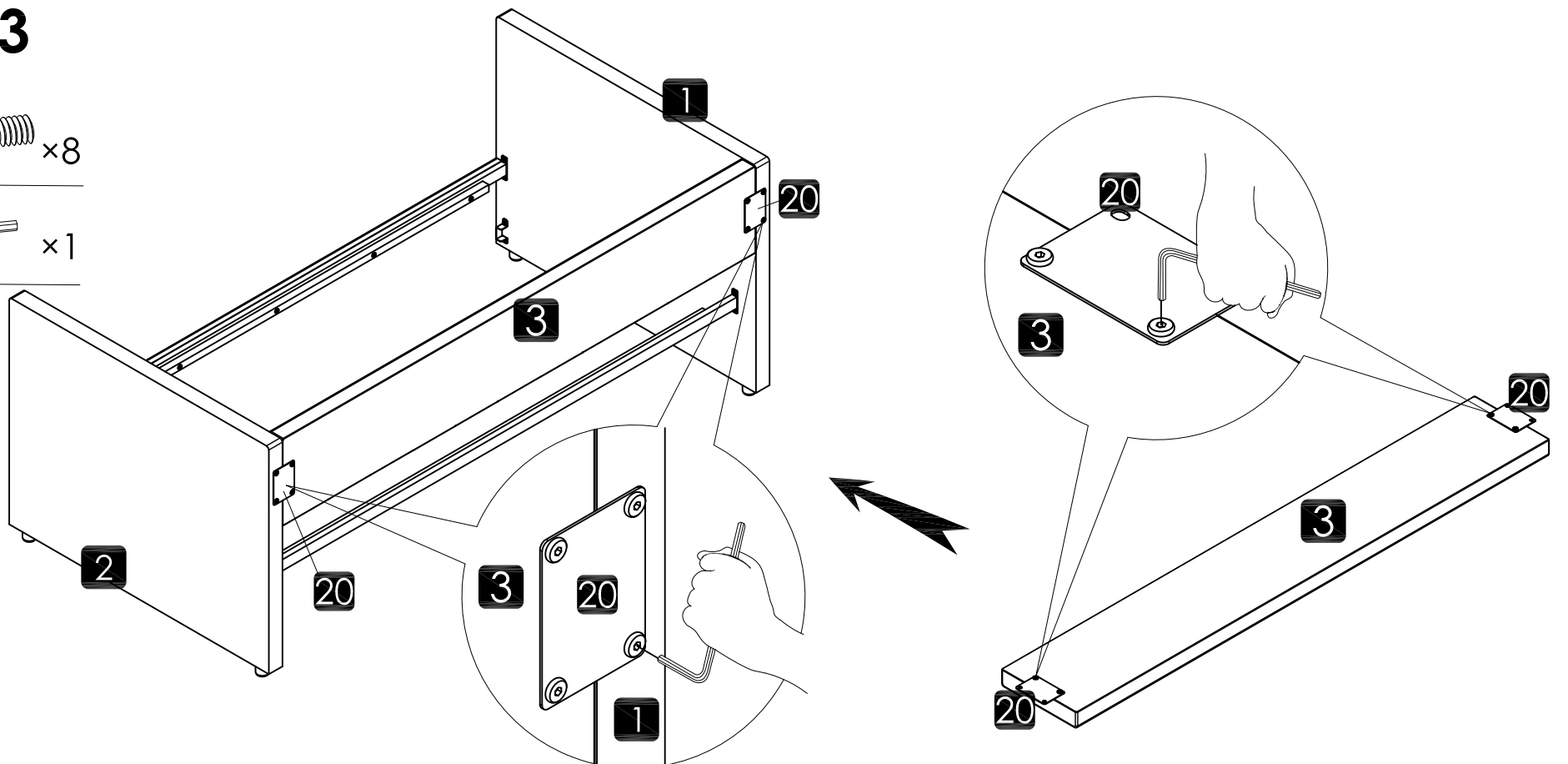
# Step 2

- A**  x8
- J**  x1



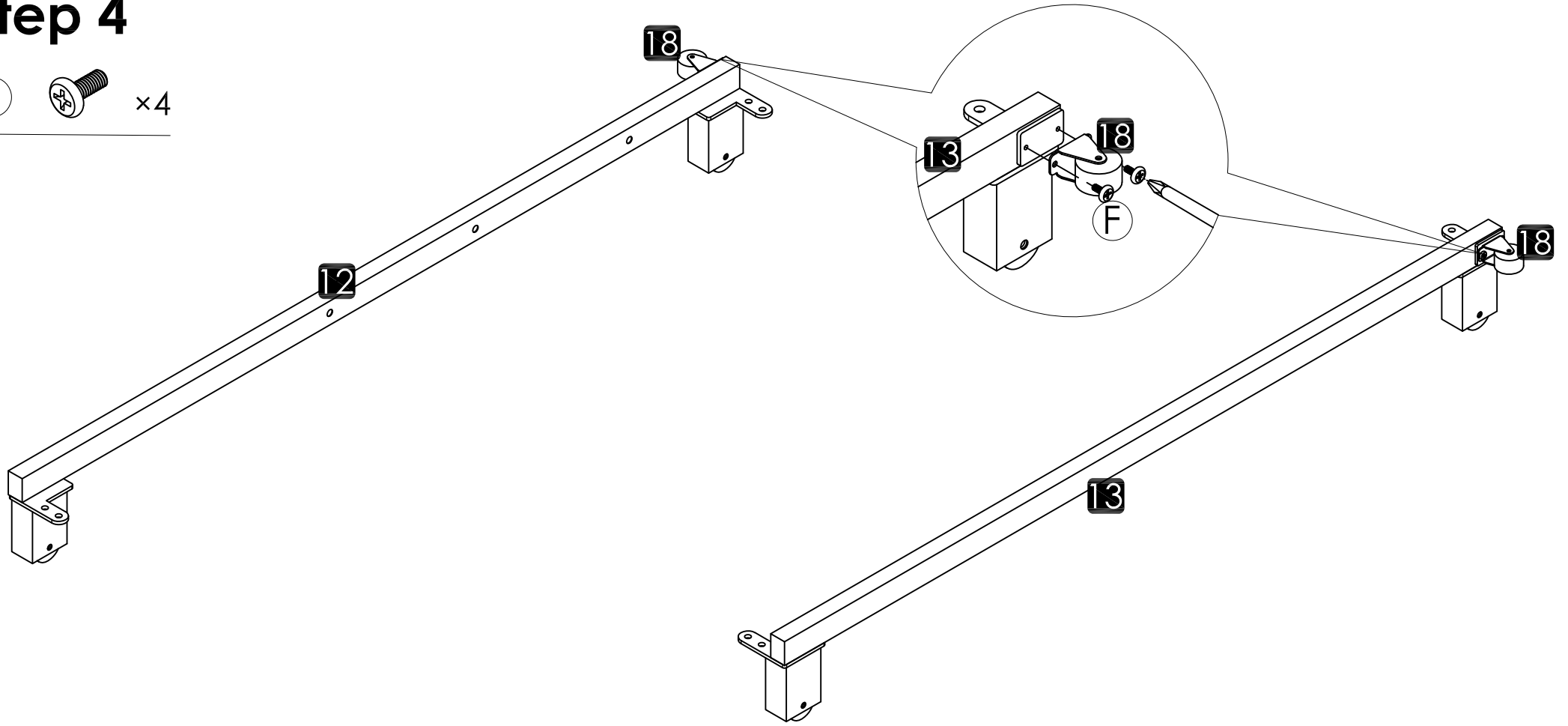
# Step 3

- A**  x8
- J**  x1



## Step 4

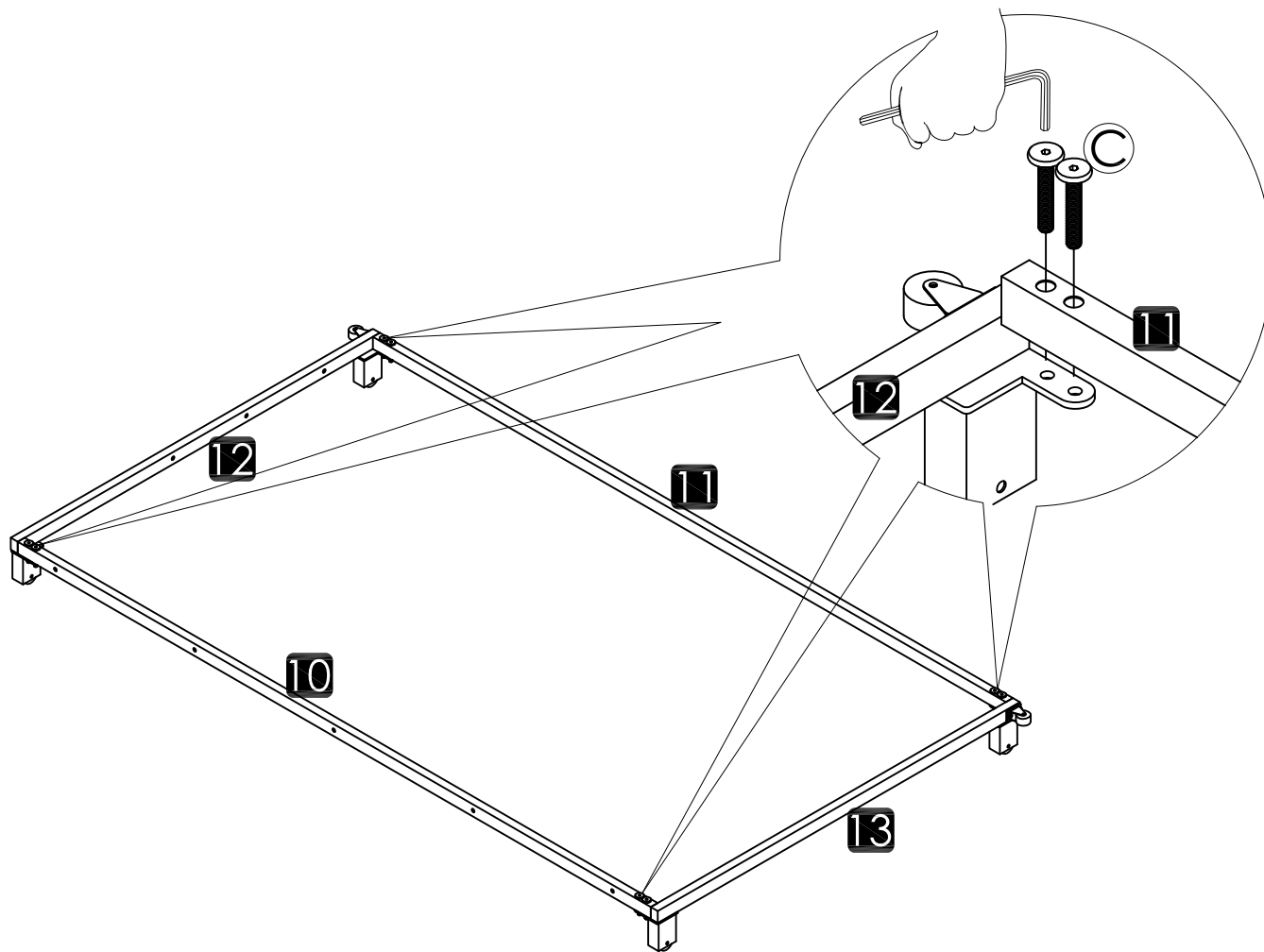
(F)  x4




## Step 5

(C)  x8

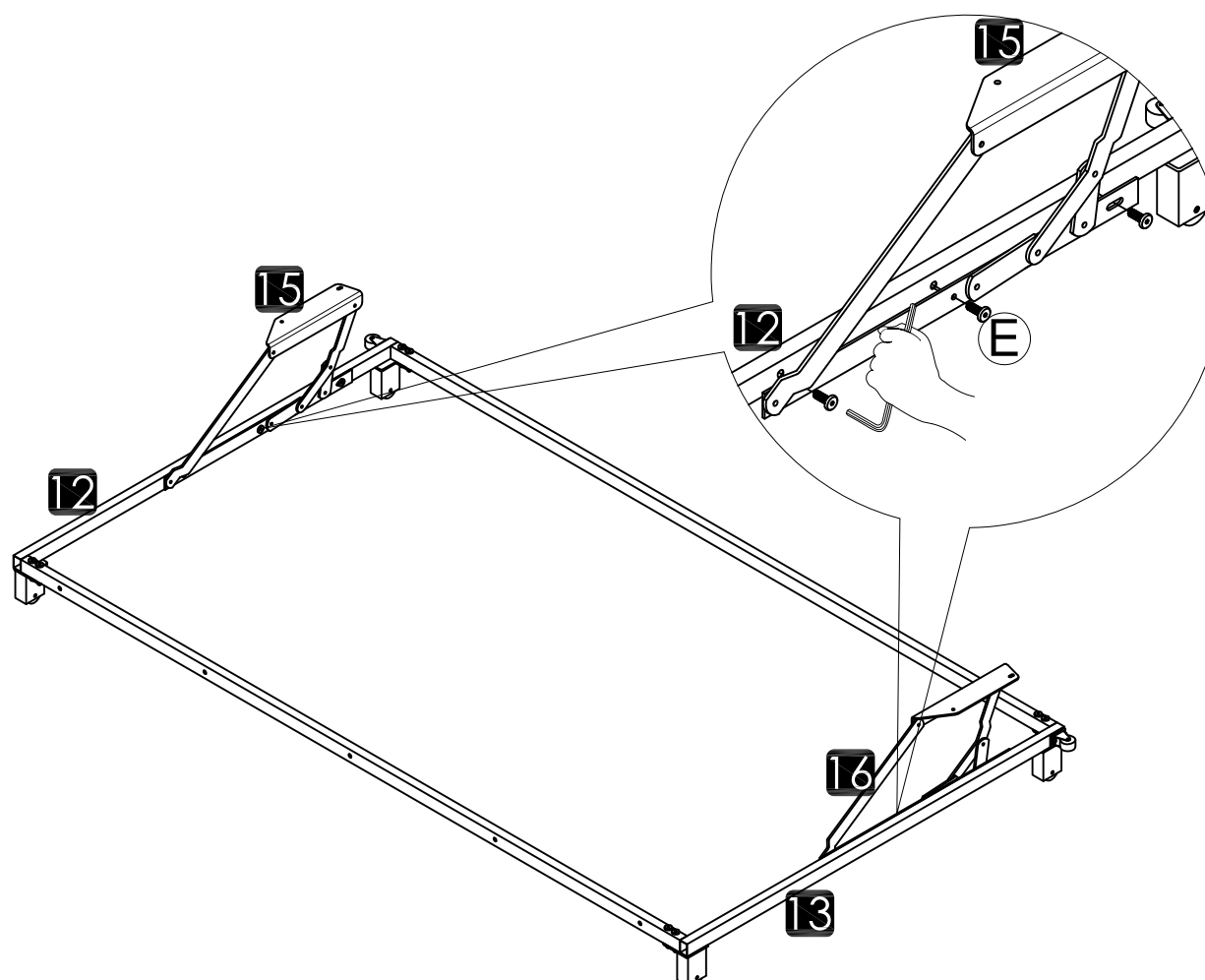
(J)  x1



## Step 6

(E)  x6

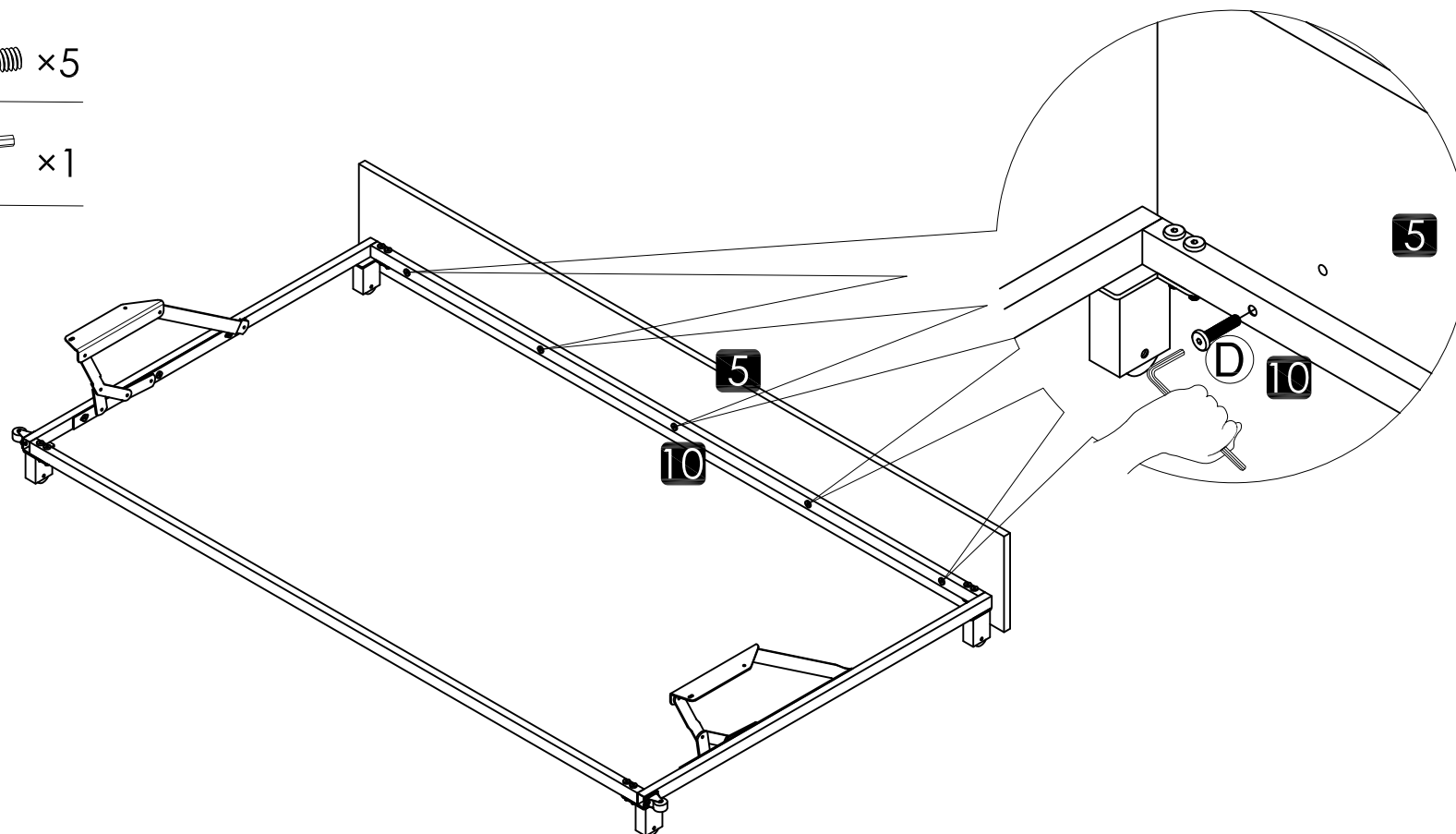
(J)  x1



## Step 7

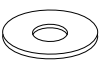
Ⓓ  ×5

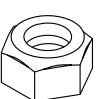
Ⓙ  ×1



## Step 8

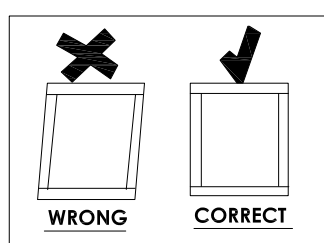
Ⓑ  ×4

Ⓖ  ×4

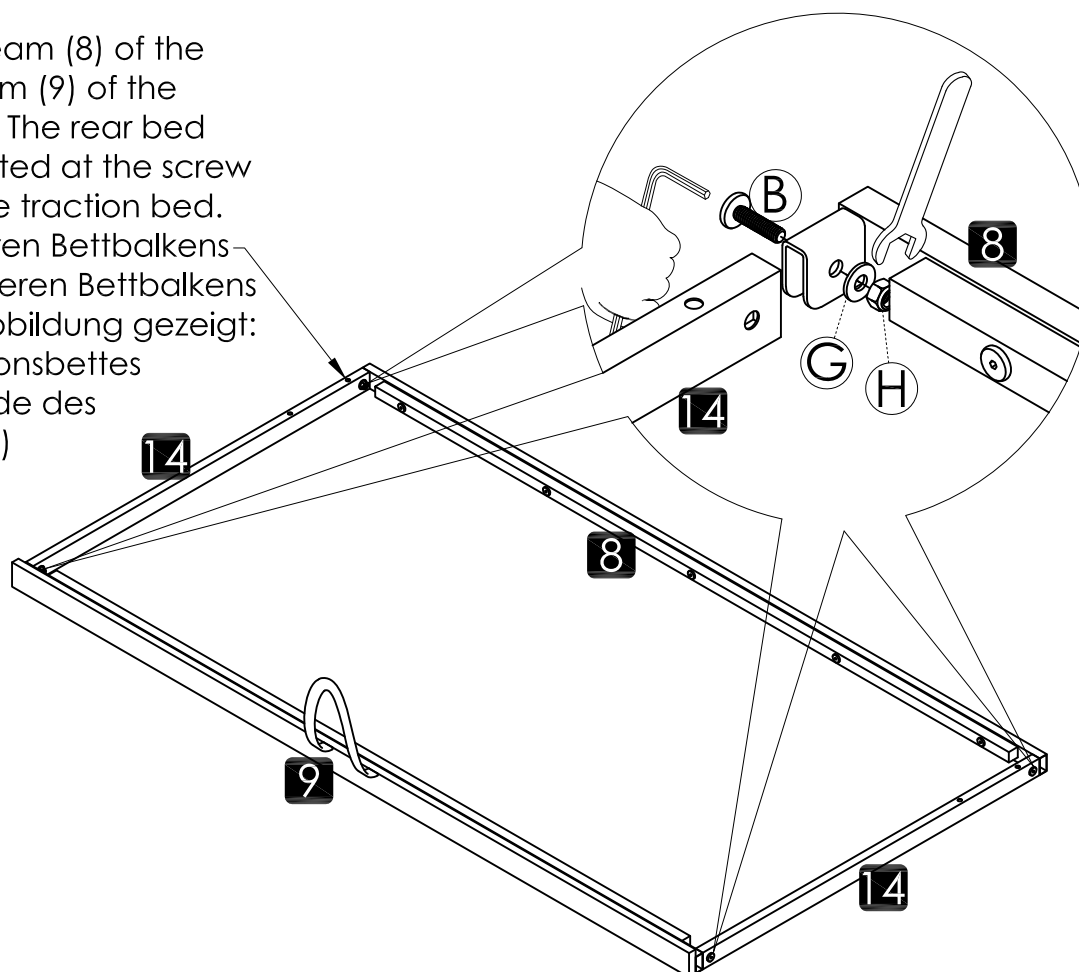
Ⓗ  ×4

Ⓙ  ×1


Ⓚ  ×1



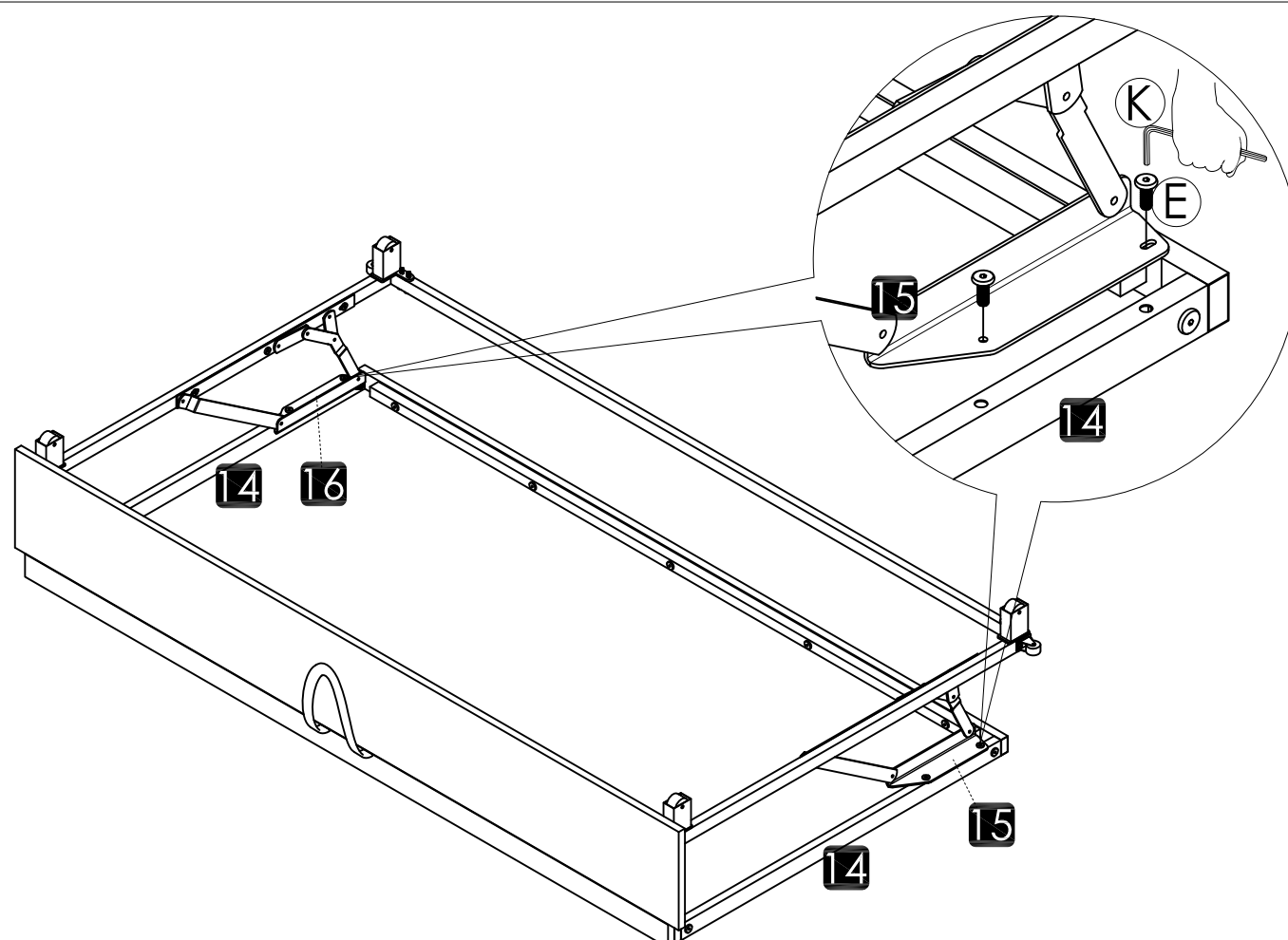
Note the position of the rear bed beam (8) of the traction bed and the front bed beam (9) of the traction bed, as shown in the figure: The rear bed beam (8) of the traction bed is located at the screw hole end of the front tube (14) of the traction bed. (Beachten Sie die Position des hinteren Bettbalkens (8) des Traktionsbettes und des vorderen Bettbalkens (9) des Traktionsbettes, wie in der Abbildung gezeigt: Der hintere Bettbalken (8) des Traktionsbettes befindet sich am Schraubenlochende des Vorderrohres (14) des Traktionsbettes.)



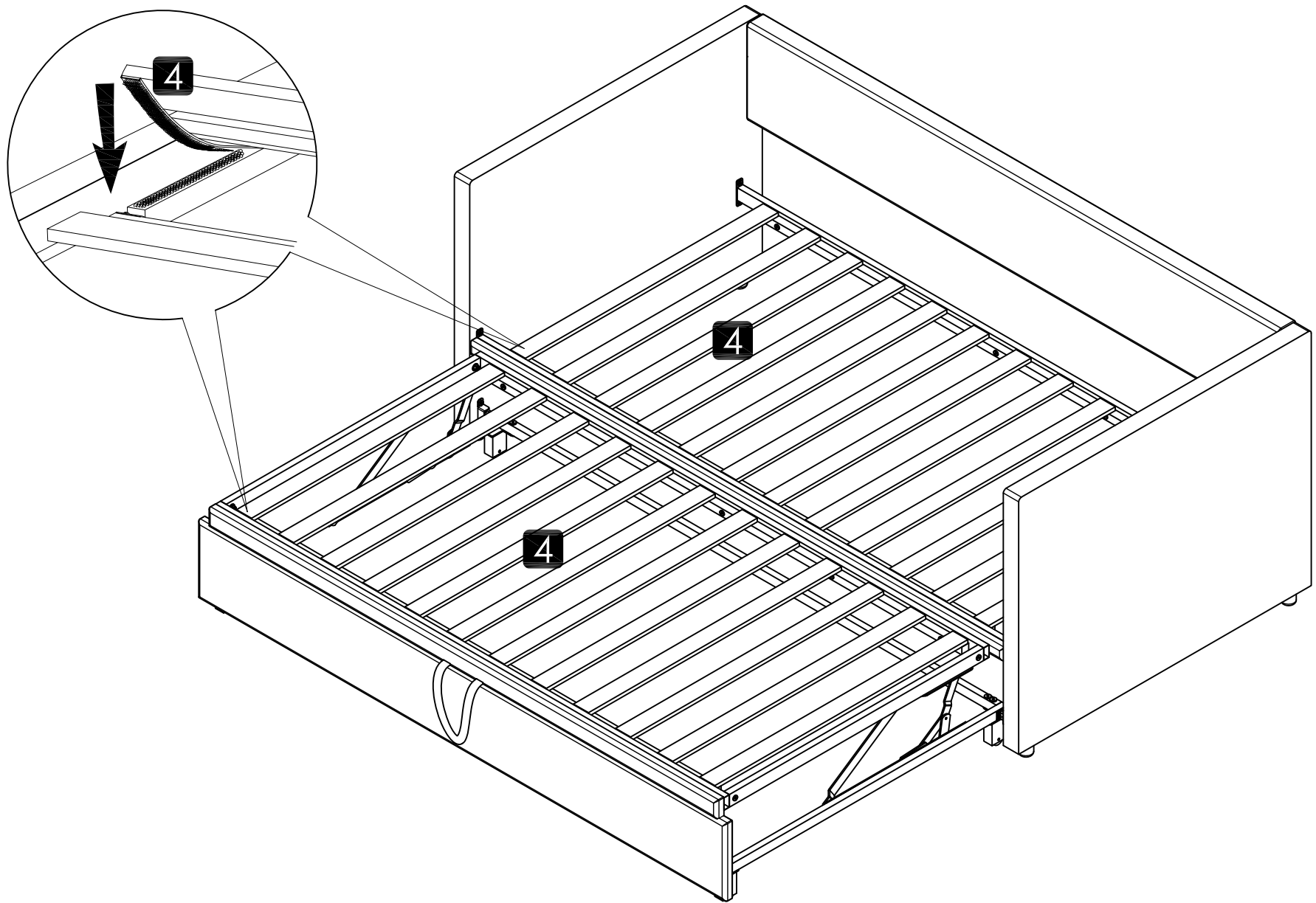
## Step 9

Ⓔ  ×4

Ⓙ  ×1



# Step 10



# Step 11

