

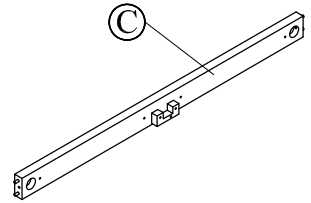
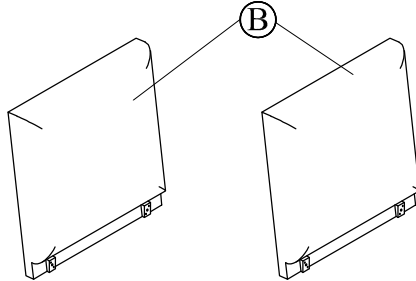
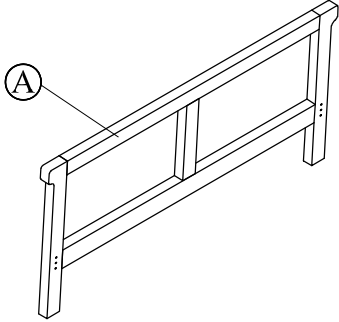
DBL CUSHION PLATFORM QUEEN BED

ASSEMBLY INSTRUCTIONS

PARTS AND FITTING PACKAGING DETAIL

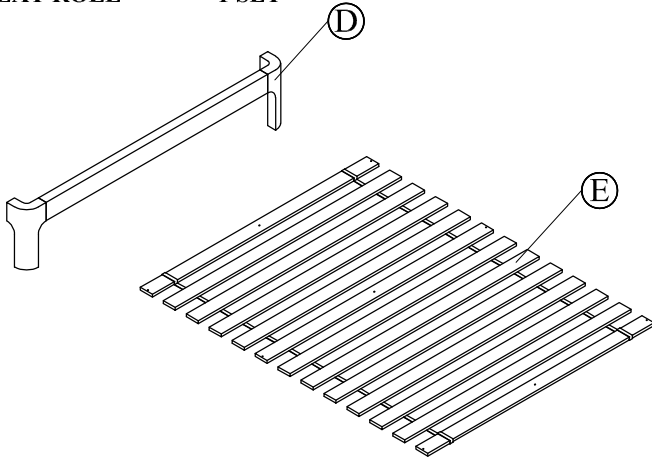
BOX #1

- A. HEADBOARD FRAME 1 PC
- B. UPHOLSTERED CUSHION 2 PCS
- C. STRETCHER 1 PC



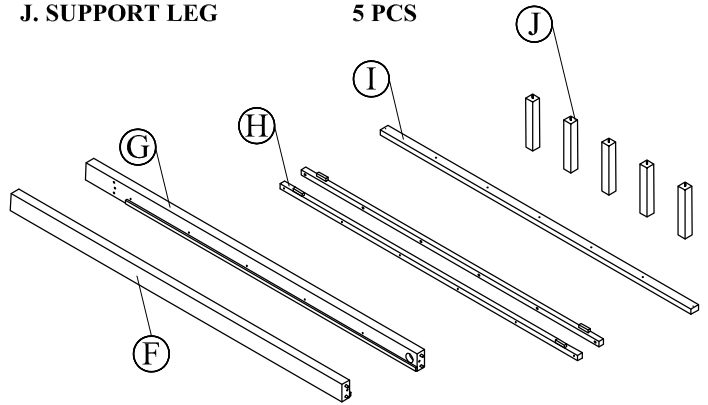
BOX #2

- D. FOOTBOARD 1 PC
- E. SLAT ROLL 1 SET

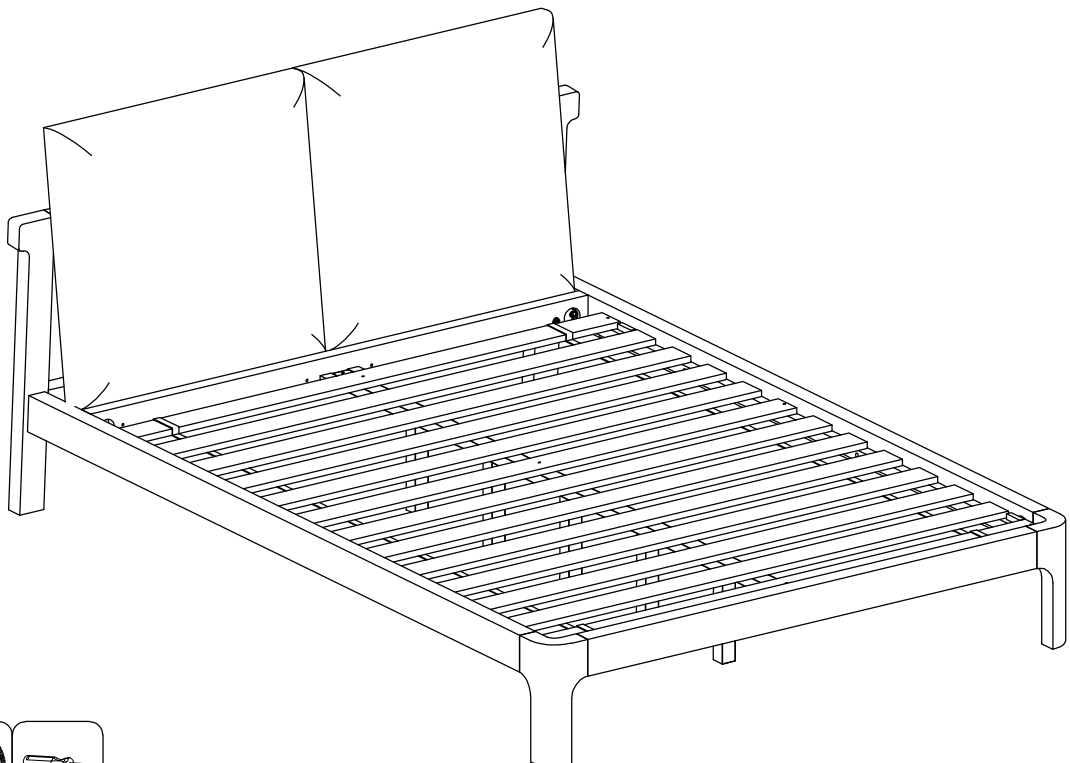


BOX #3

- F. LEFT SIDE RAIL 1 PC
- G. RIGHT SIDE RAIL 1 PC
- H. SIDE RAIL CLEAT 2 PCS
- I. CENTER SUPPORT 1 PC
- J. SUPPORT LEG 5 PCS



FULLY ASSEMBLED

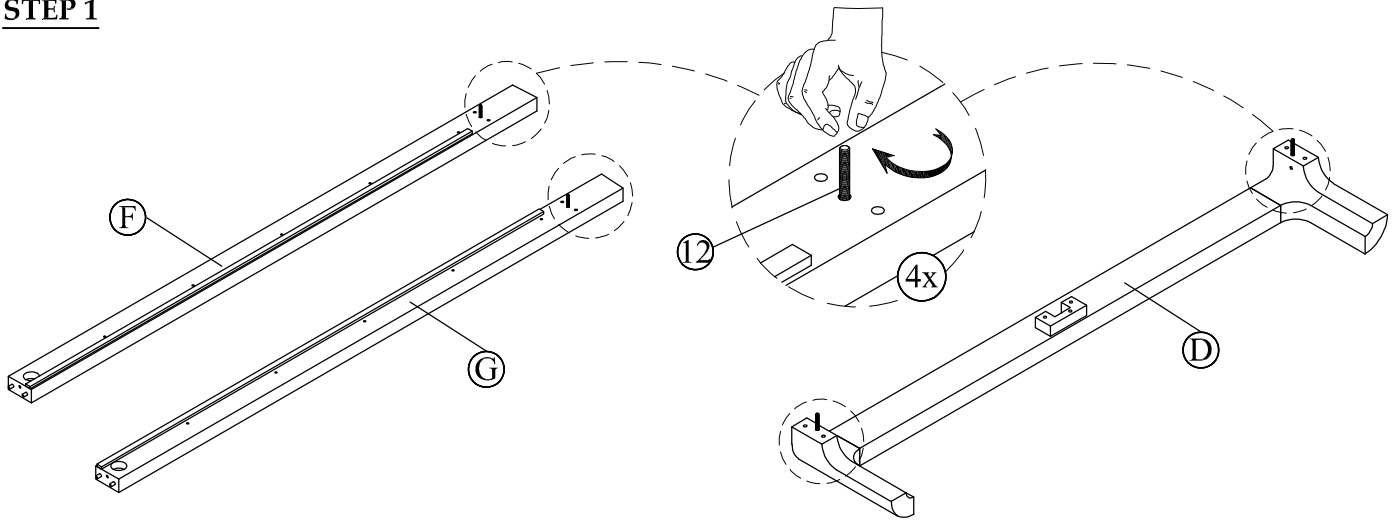


DBL CUSHION PLATFORM QUEEN BED

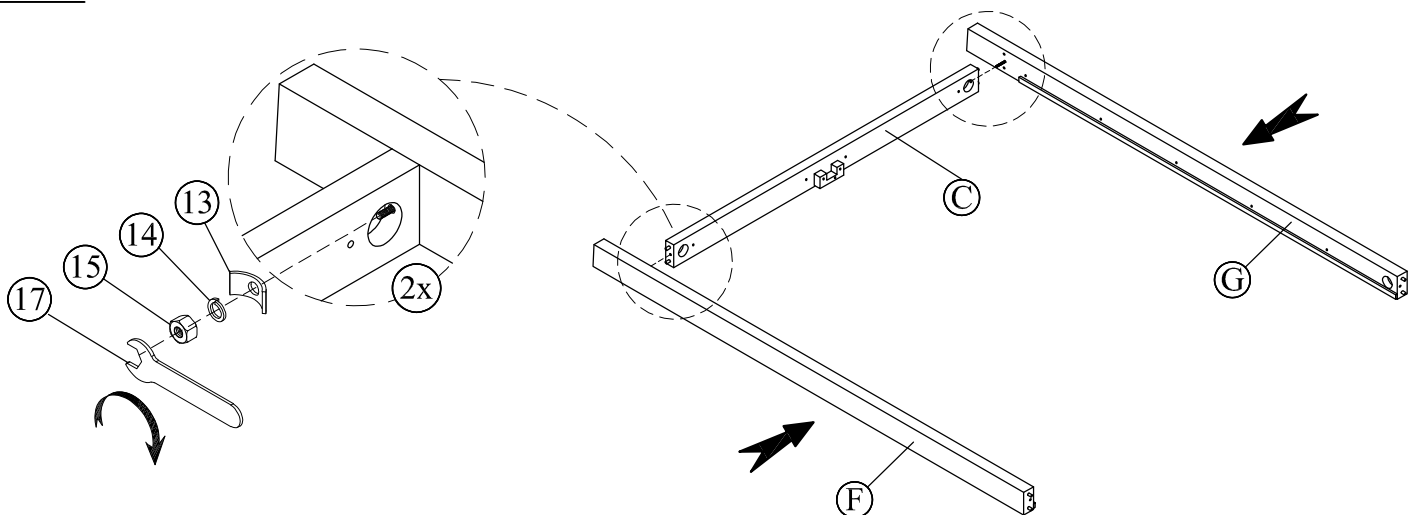
ASSEMBLY INSTRUCTIONS

HARDWARE KIT PACKED IN BOX #1				HARDWARE KIT PACKED IN BOX #2			
NO.	DESCRIPTION	IMAGE	QTY	NO.	DESCRIPTION	IMAGE	QTY
1	ALLEN BOLT (6x20mm)		8 PCS	7	ALLEN BOLT (6x35mm)		12 PCS
2	ALLEN BOLT (8x60mm)		4 PCS	8	ALLEN BOLT (8x60mm)		4 PCS
3	LOCK WASHER (M9)		12 PCS	9	LOCK WASHER (M9)		16 PCS
4	FLAT WASHER (M8x16)		12 PCS	10	FLAT WASHER (M6x13)		12 PCS
5	L-BRACKET		4 PCS	11	FLAT WASHER (M8x16)		4 PCS
6	ALLEN KEY		1 PC	12	THREADED BOLT (8x60mm)		4 PCS
				13	ARC WASHER (14x26mm)		4 PCS
				14	LOCK WASHER (M10)		4 PCS
				15	HEX NUT (M8)		4 PCS
				16	ALLEN KEY		1 PC
				17	WRENCH		1 PC
				18	WOOD SCREW (4x35mm)		2 PCS
				19	WOOD SCREW (4x25mm)		9 PCS

STEP 1



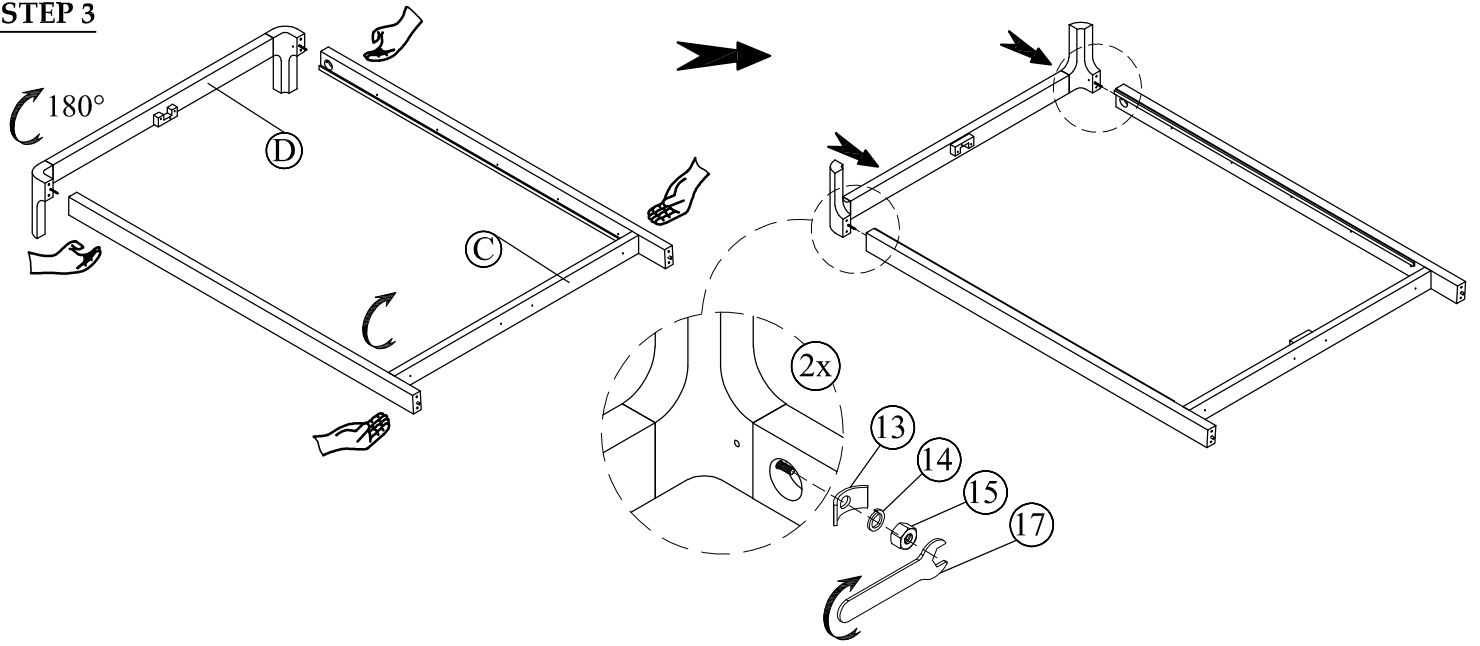
STEP 2



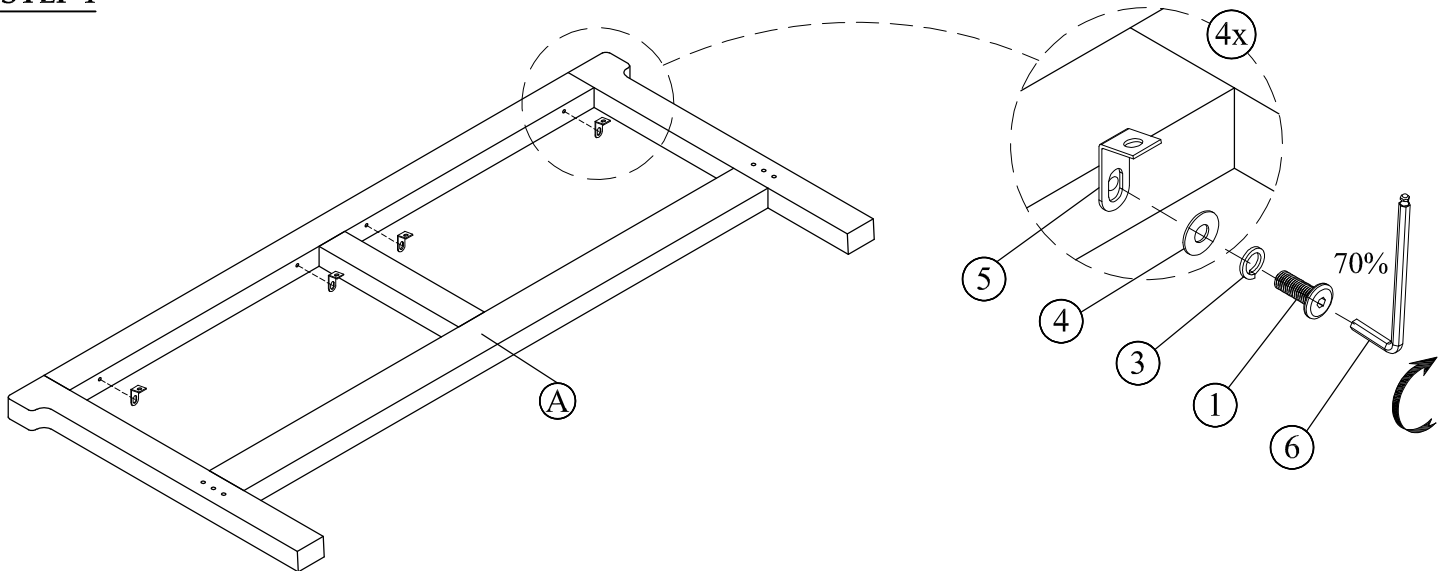
DBL CUSHION PLATFORM QUEEN BED

ASSEMBLY INSTRUCTIONS

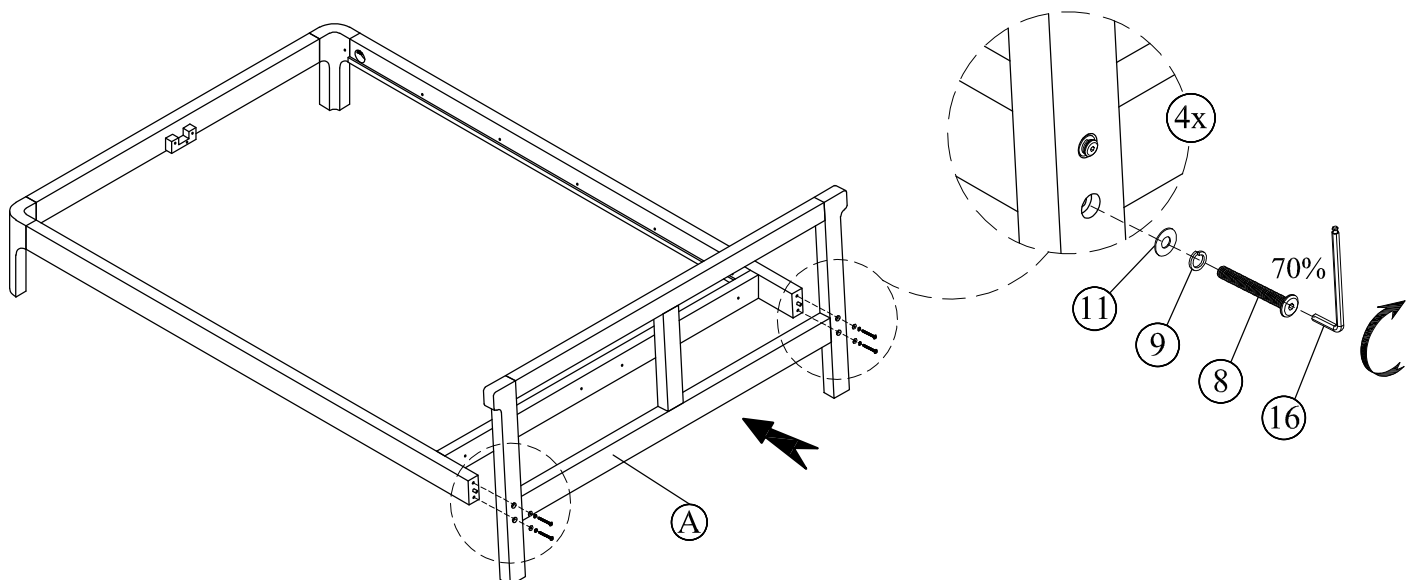
STEP 3



STEP 4



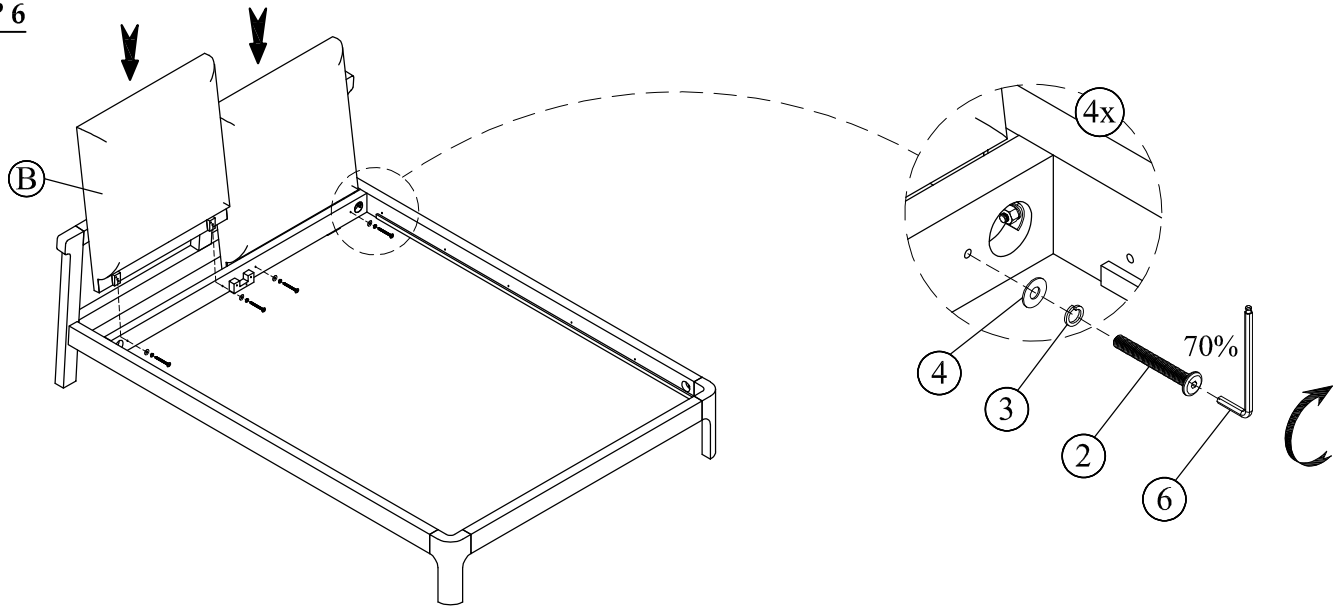
STEP 5



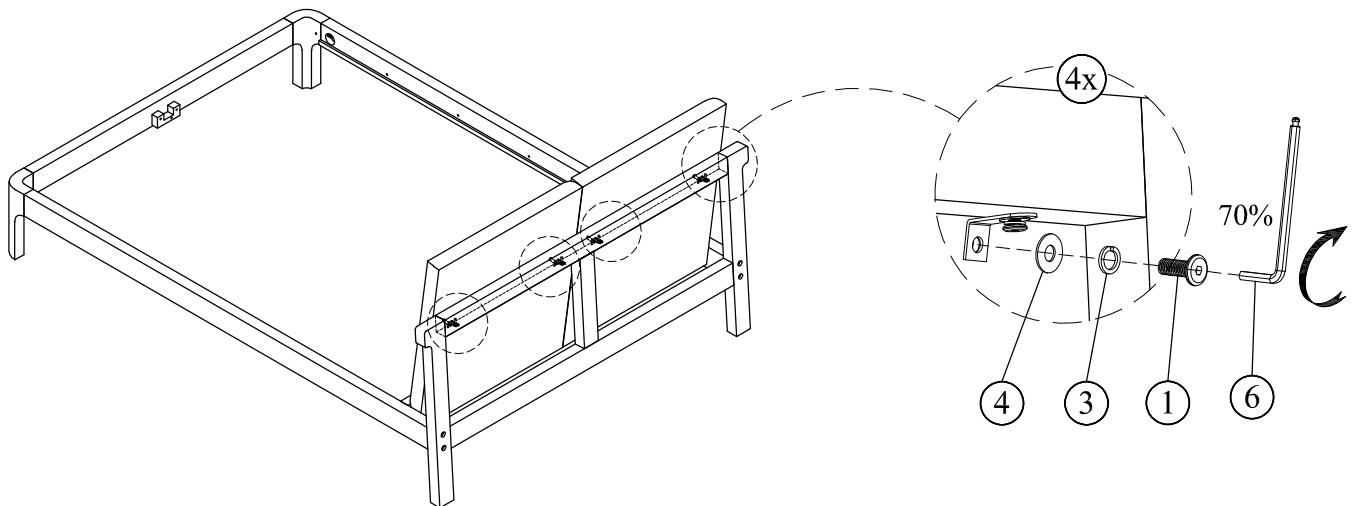
DBL CUSHION PLATFORM QUEEN BED

ASSEMBLY INSTRUCTIONS

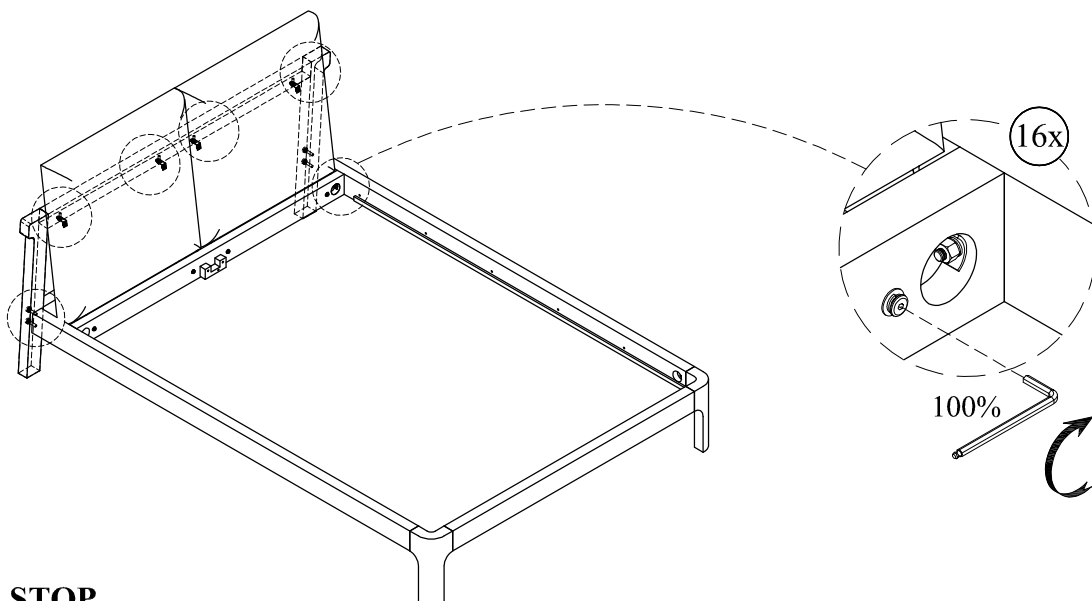
STEP 6



STEP 7



STEP 8



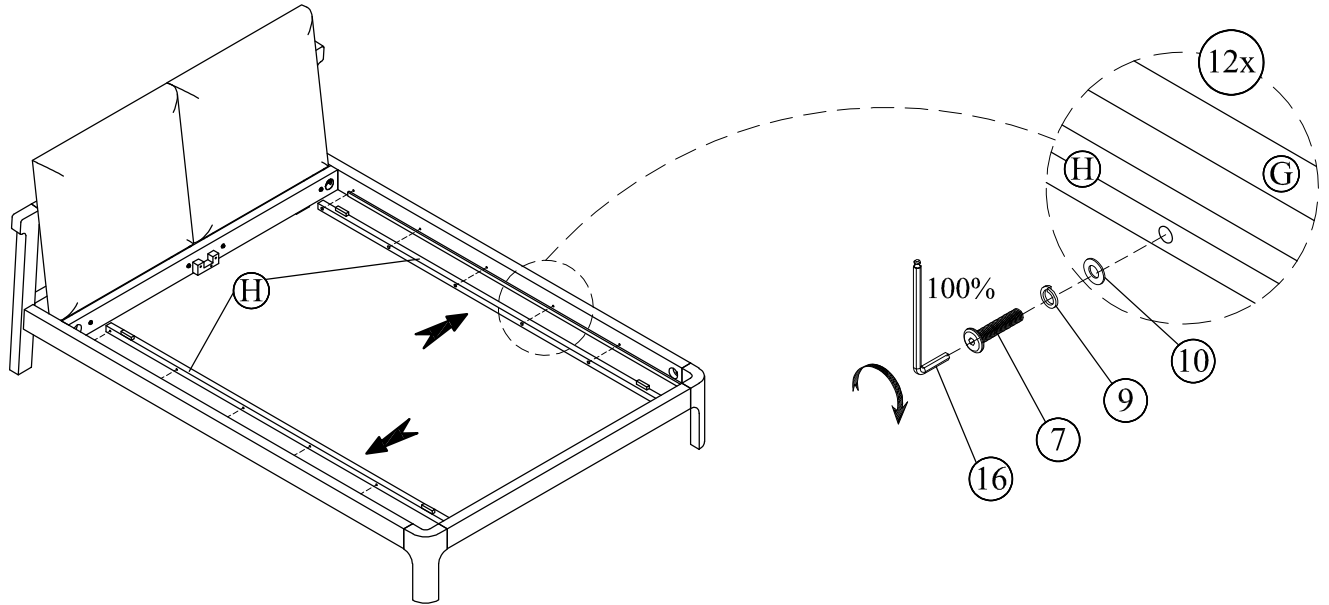
STOP

- IF USING BED WITH AN ADJUSTABLE MATTRESS BASE, SKIP STEPS 9 -13. YOU MAY WISH TO RETAIN UNUSED PARTS IF IN THE FUTURE YOU INTEND TO USE THE BED FRAME WITH A STANDARD BOX SPRING OR FOUNDATION.
- IF USING BED FRAME WITH STANDARD BOX SPRING OR FOUNDATION, CONTINUE TO STEP 9.

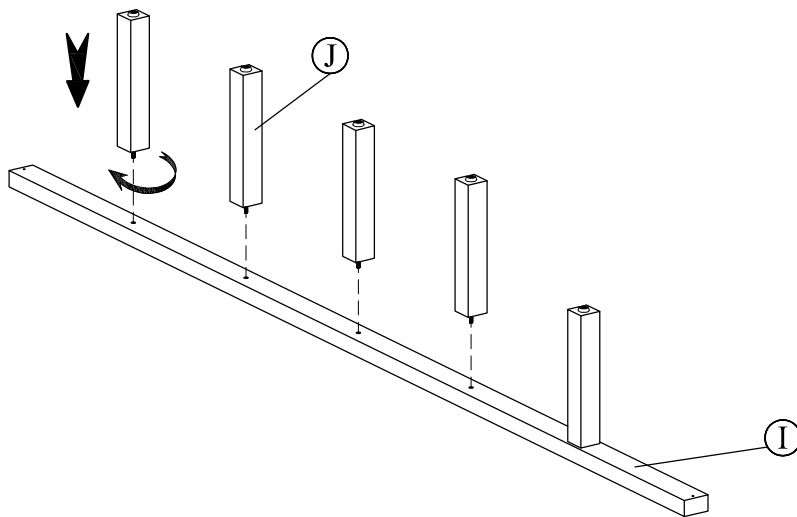
DBL CUSHION PLATFORM QUEEN BED

ASSEMBLY INSTRUCTIONS

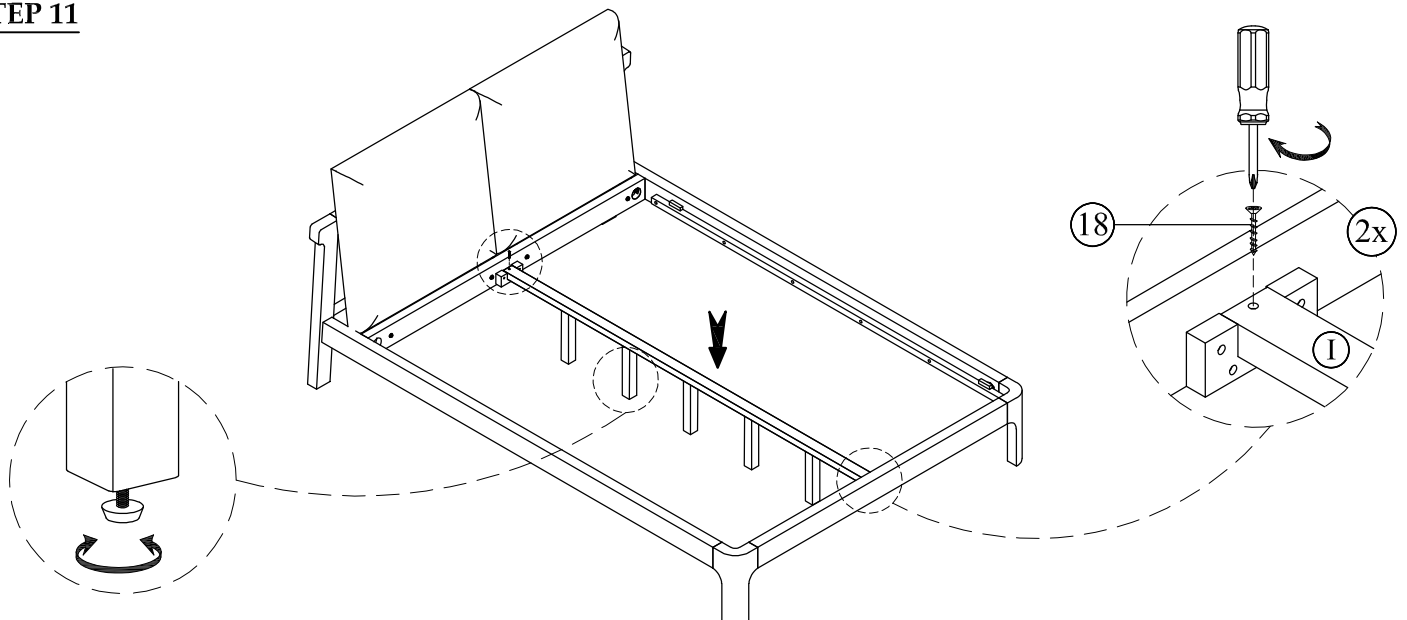
STEP 9



STEP 10



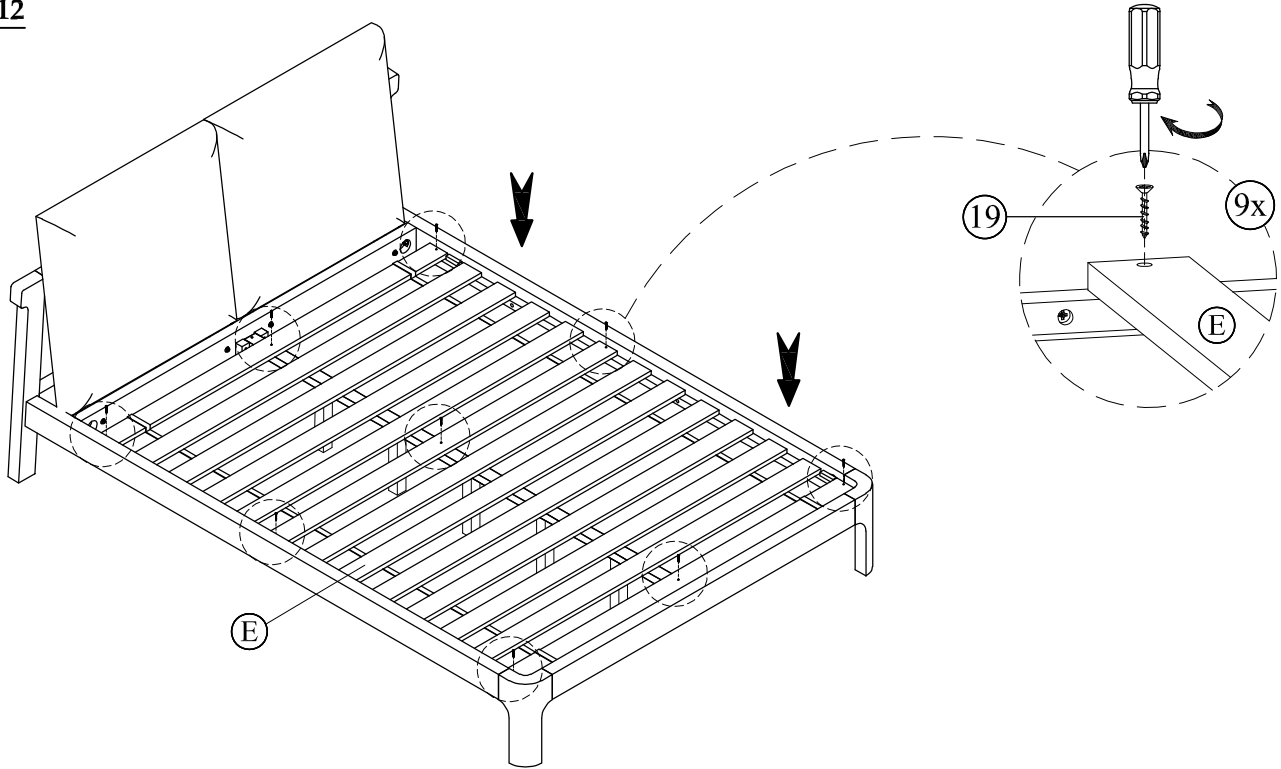
STEP 11



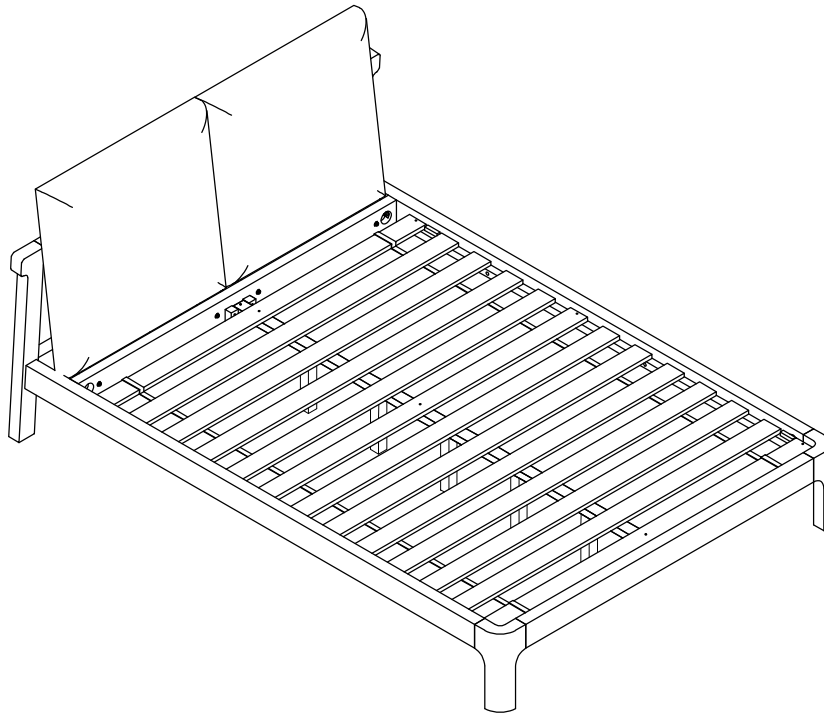
DBL CUSHION PLATFORM QUEEN BED

ASSEMBLY INSTRUCTIONS

STEP 12



STEP 13



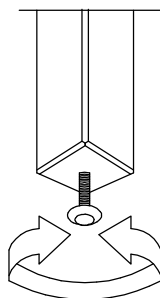
ASSEMBLY COMPLETE

INSTRUCTIONS FOR ADJUSTING LEVELERS:

Position the bed in your space and locate the leveler under each leg support (J).

Turn the leveler counter-clockwise to extend and clockwise to retract it.

Adjust each leveler until each leg support is applying equal, upward pressure on the center slat.



MAINTENANCE INSTRUCTIONS:

- Periodically check all fittings and tighten if necessary, as they can loosen over time.
- Always remove box spring and mattress before moving the bed.
- Lift the bed when moving it. Dragging the bed can damage the center support.
- Readjust levelers after moving the bed.