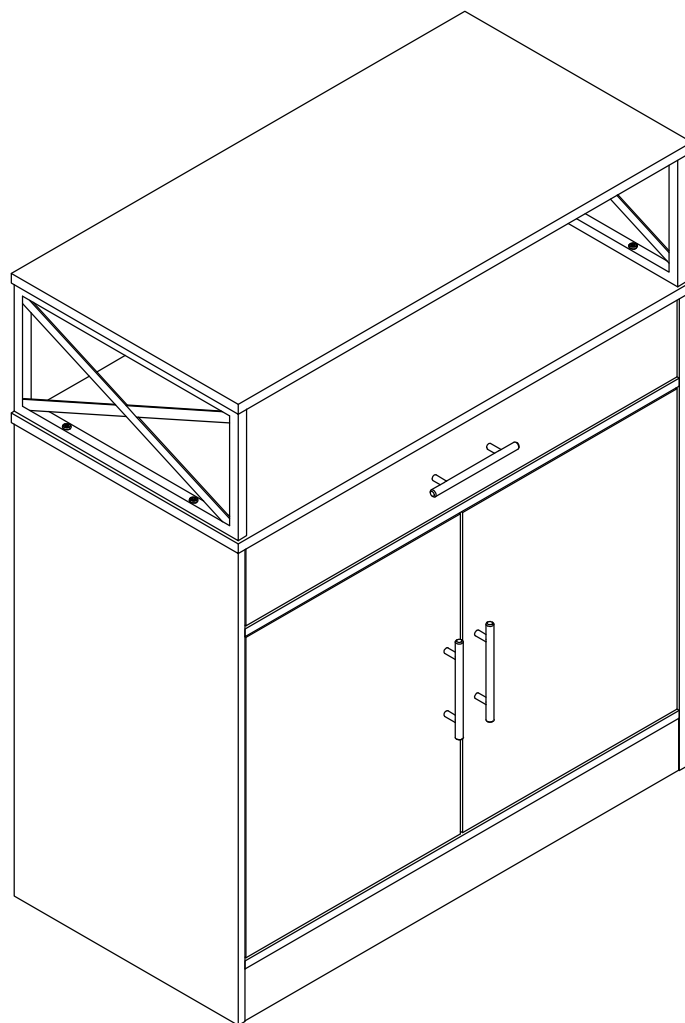


# Instruction Manual

Multifunctional Cabinet



# Notes:

## 1. ASSEMBLY PREPARATION AND TIPS FOR ASSEMBLY

- 1). Remove all packaging materials, staples and packing straps from the carton.
- 2). Refer to Parts List and Hardware List, and ensure parts and hardware are correct before assembly.  
Contact customer service for missing parts.
- 3). Place all wooden parts on a clean, flat and soft surface (e.g. carpet or rug) to prevent scratch and damage to parts.
- 4). Allow ample room for assembly and assemble the product near where the product will be placed.
- 5). During assembly, do not over-tighten any fittings as this may cause damage.
- 6). Always place the product on a flat, level surface.

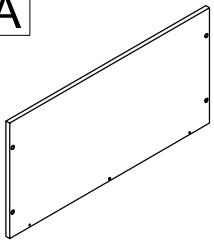
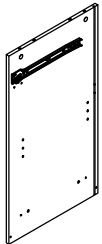
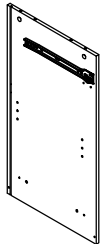
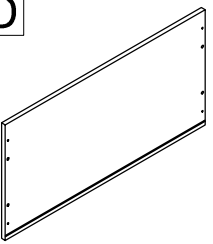
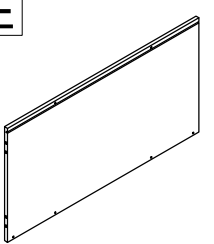
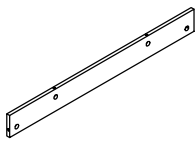
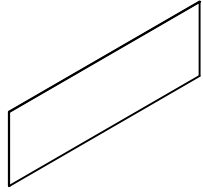
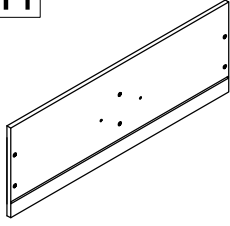
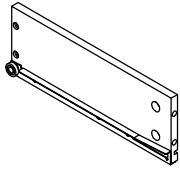
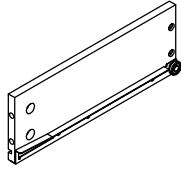
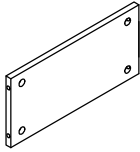
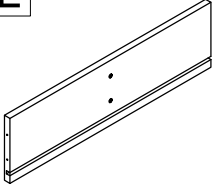
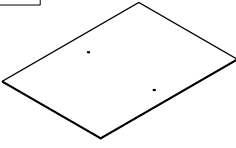
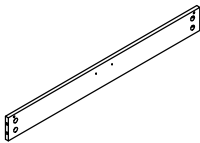
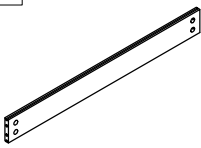
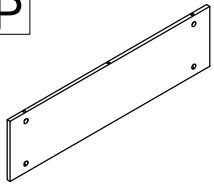
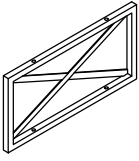
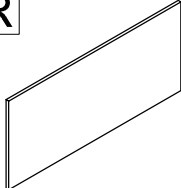
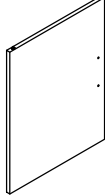
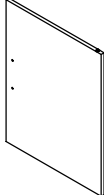
## 2. CARE AND MAINTENANCE

- 1). KEEP ALL HARDWARE PARTS OUT OF REACH OF CHILDREN.
- 2). Wipe clean with a soft, dry cloth; avoid the use of harsh chemicals or household cleaners as they may damage the exterior finish of the furniture.
- 3). Hardware may loosen over time. Periodically, check that all connections are tight; re-tighten as necessary.

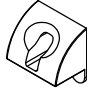
## 3. TIPS TO PROTECT & CARE FOR YOUR FURNITURE

- 1). Avoid placing your furniture in direct sunlight, as sunlight causes fading.
- 2). Use a protective pad when writing on the furniture surface.
- 3). Use cutting boards and trivets for food preparation in order to avoid damaging the top for the unit.

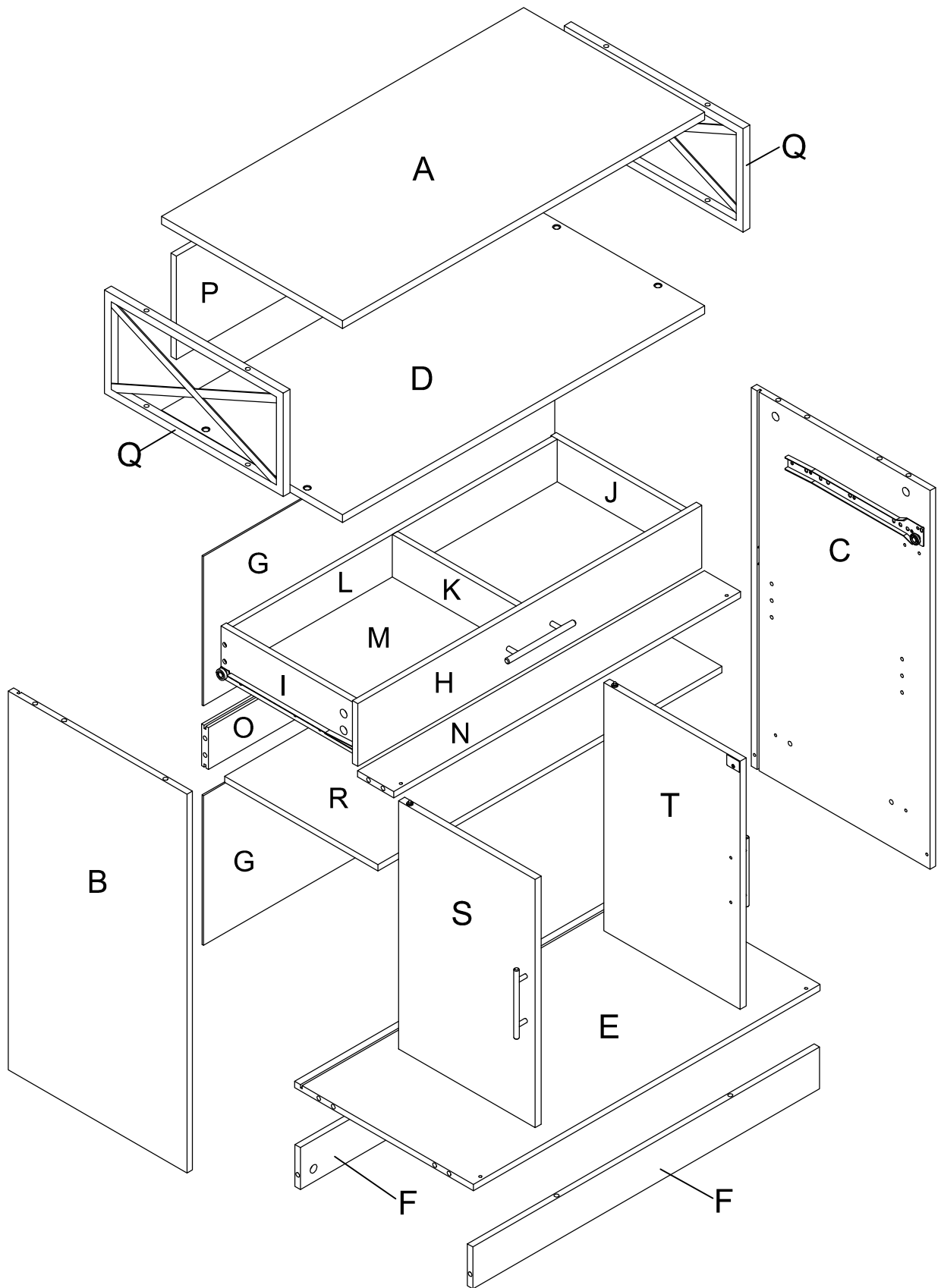
# PART LIST

				
<p>Top Panel 1 PC</p>	<p>Left Panel 1 PC</p>	<p>Right Panel 1 PC</p>	<p>Fixed Shelf Panel 1 PC</p>	<p>Bottom Panel 1 PC</p>
				
<p>Foot Board 2 PCS</p>	<p>Lower Back Panel 2 PCS</p>	<p>Drawer Front Panel 1 PC</p>	<p>Drawer Left Panel 1 PC</p>	<p>Drawer Right Panel 1 PC</p>
				
<p>Drawer Partition Panel 1 PC</p>	<p>Drawer Back Panel 1 PC</p>	<p>Drawer Bottom Panel 1 PC</p>	<p>Front Rail 1 PC</p>	<p>Back Rail 1 PC</p>
				
<p>Upper Back Panel 1 PC</p>	<p>Side Iron Frame 2 PCS</p>	<p>Adjustable Shelf 1 PC</p>	<p>Left Door 1 PC</p>	<p>Right Door 1 PC</p>

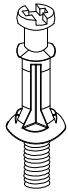
# HARDWARE LIST

<p><b>#1</b></p>  <p>M6*25mm Bolt</p>	<p><b>#2</b></p>  <p>Ø8*30mm Wood Dowel</p>	<p><b>#3</b></p>  <p>Ø3*30mm Screw</p>	<p><b>#4</b></p>  <p>Ø6*35mm Cam-bolt</p>	<p><b>#5</b></p>  <p>Ø15*9mm Cam-lock</p>
<p>8 PCS (Extra 1)</p>	<p>10PCS (Extra 2)</p>	<p>6PCS (Extra 1)</p>	<p>36PCS (Extra 4)</p>	<p>36PCS(Extra 4)</p>
<p><b>#6</b></p>  <p>150*32*Ø12mm Handle</p>	<p><b>#7</b></p>  <p>M4*22mm Round Head Bolt</p>	<p><b>#8</b></p>  <p>Back Bracket</p>	<p><b>#9</b></p>  <p>Ø3.5*14mm Screw</p>	<p><b>#10</b></p>  <p>Ø3*12mm Screw</p>
<p>3 PCS</p>	<p>6 PCS (Extra 1)</p>	<p>8 PCS (Extra 2)</p>	<p>10 PCS (Extra 2)</p>	<p>2 PCS (Extra 1)</p>
<p><b>#11</b></p>  <p>70*17*13mm Double Door Magnet</p>	<p><b>#12</b></p>  <p>4mm Allen Wrench</p>	<p><b>#13</b></p>  <p>Ø6*21*12mm Shelf Holder</p>	<p><b>#14</b></p>  <p>30*22*1mm Door Small Plate</p>	<p><b>#15</b></p>  <p>Safety Strap Kit</p>
<p>1 PC</p>	<p>1 PC</p>	<p>4 PCS (Extra 1)</p>	<p>2 PCS</p>	<p>2 SET</p>
				
<p>Phillips Screwdriver</p> <p>1 PC</p>				

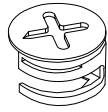
# ASSEMBLY OVERVIEW



# Instructions For Fastening CAM-BOLT and CAM-LOCK

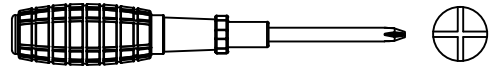


CAM-BOLT

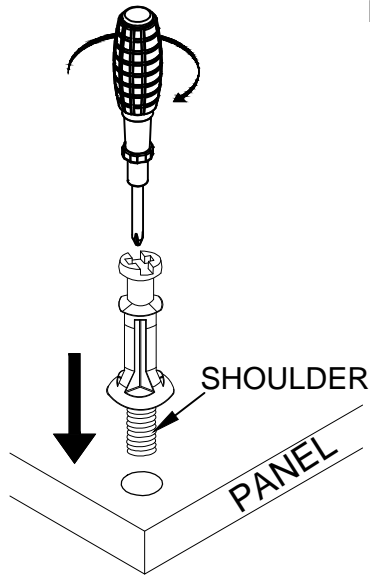


CAM-LOCK

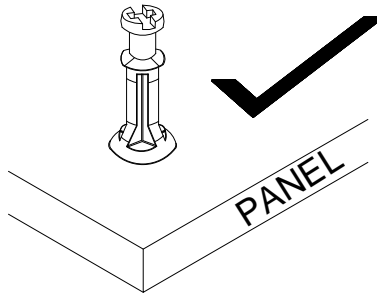
Tools Required



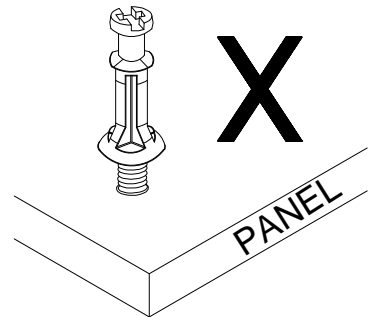
## INSERTING AND TIGHTENING CAM-BOLT



Place Cam-bolt on pre-drilled hole and screw in vertically



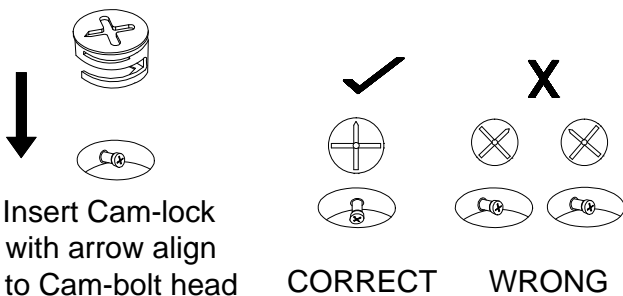
Shoulder is flushed (on the same level) with the panel.



Shoulder is above the panel.

Place Cam-bolt on the designated pre-drilled holes on the panel. Use a Phillips Screwdriver to screw-in Cam-bolt vertically until shoulder is flushed (on the same level) with panel.

## INSERTING CAM-LOCK



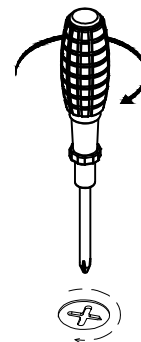
Insert Cam-lock with arrow align to Cam-bolt head

CORRECT

WRONG

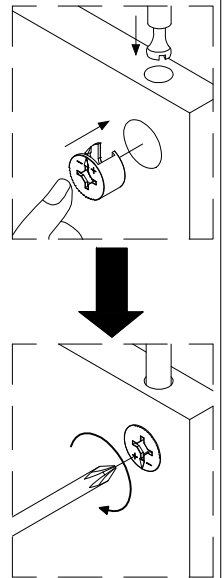
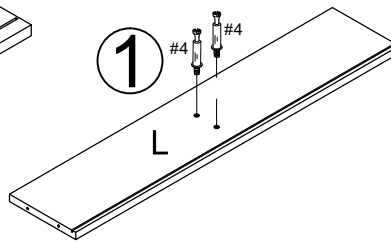
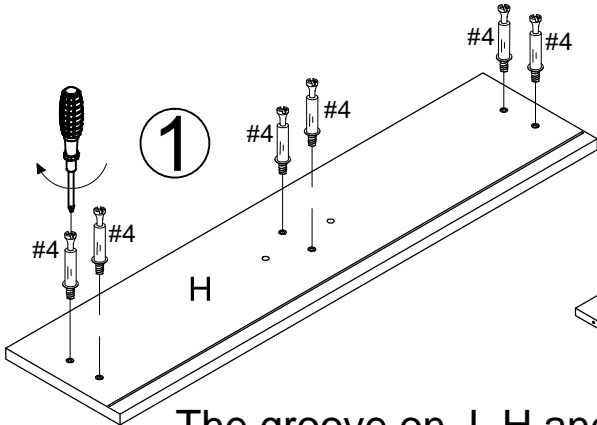
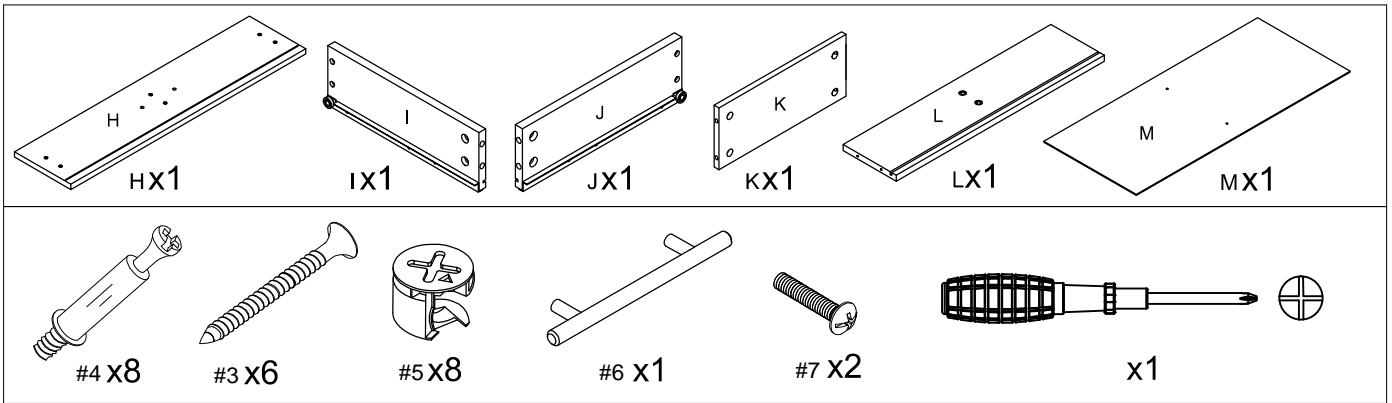
Align the arrow on the Cam-lock to the Cam-bolt head and insert the Cam-lock. Ensure Cam-lock is fully inserted.

## TIGHTENING CAM-LOCK



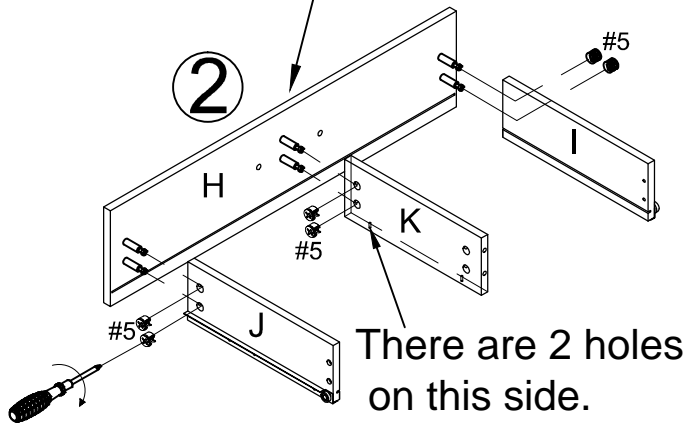
Use a Flat-head Screwdriver to turn Camlock clockwise so it locks onto the head of the Cam-bolt. Turn until it is snug (about 3/4ths of a turn) -- over-tightening could damage Cam-lock or/and Cam-bolt.

Step 1.

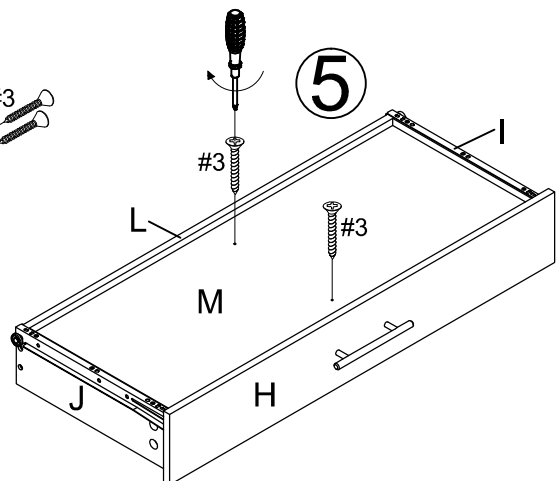
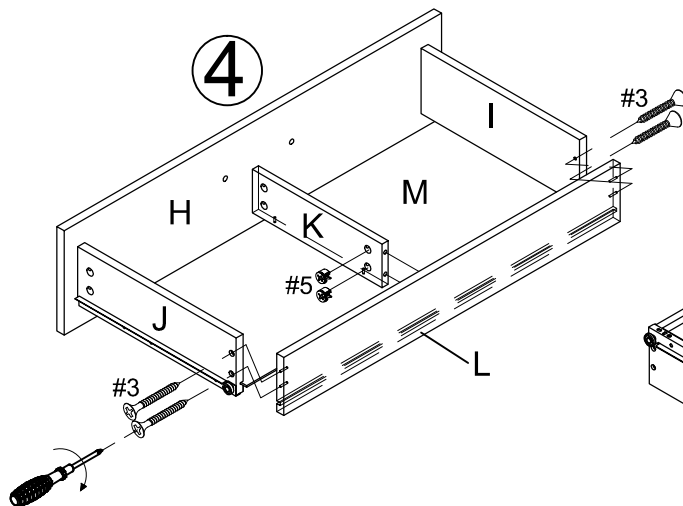
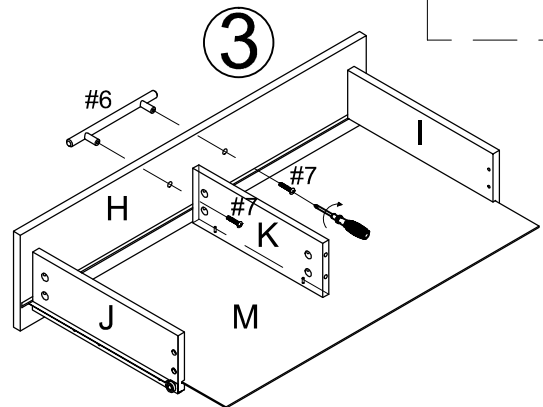


The groove on J, H and I needs to be aligned.

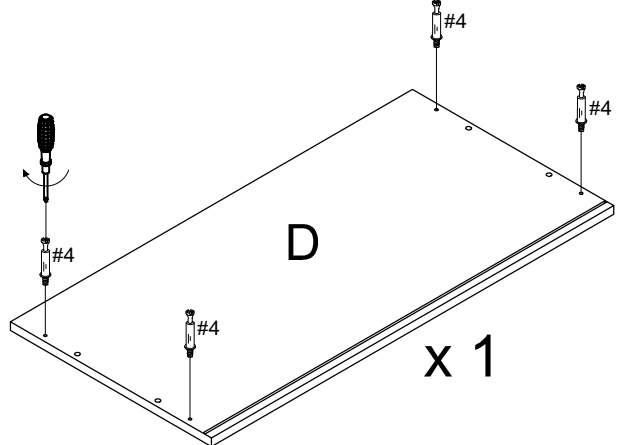
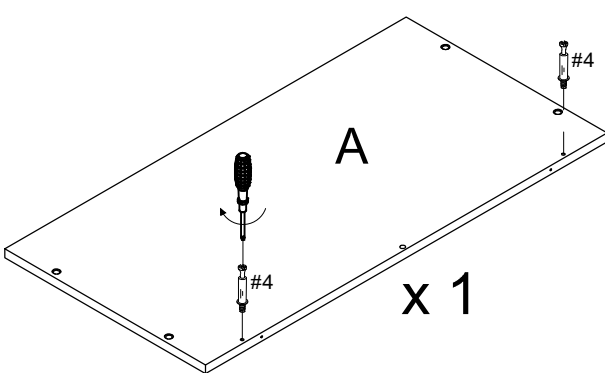
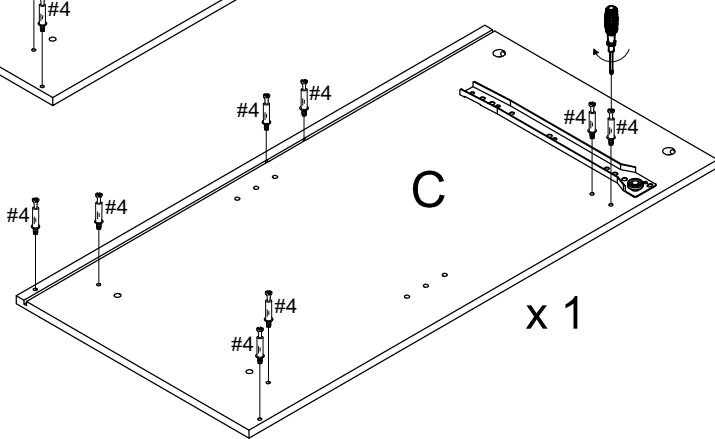
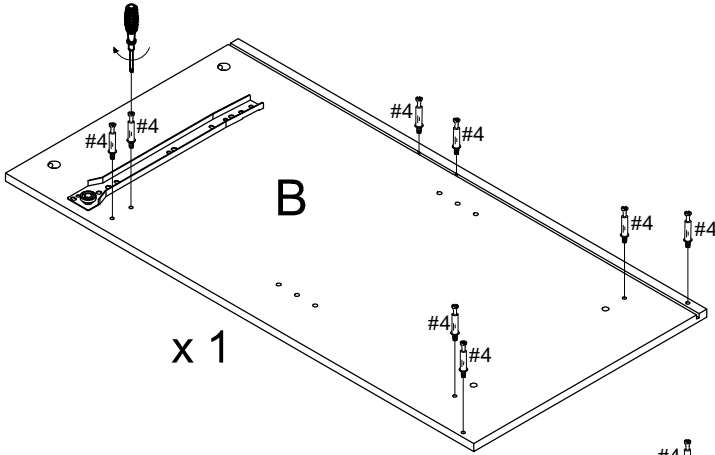
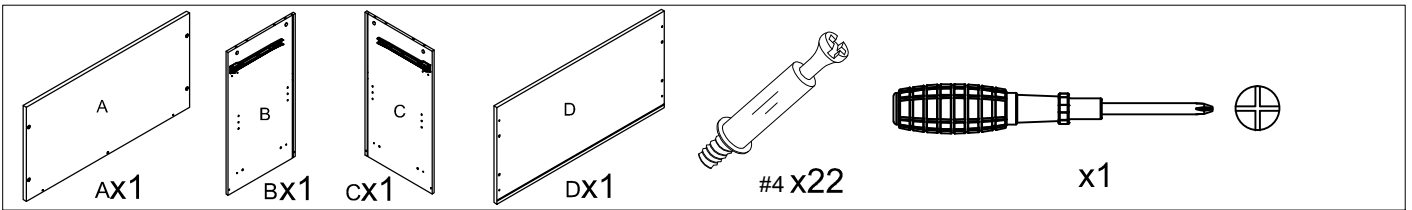
Note: Tighten it or it will cause wobble.



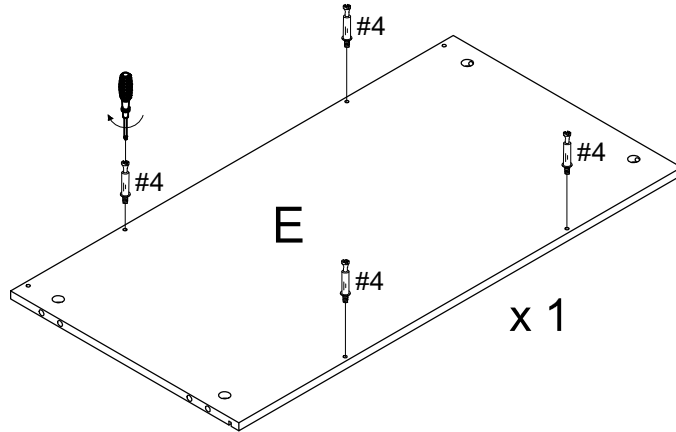
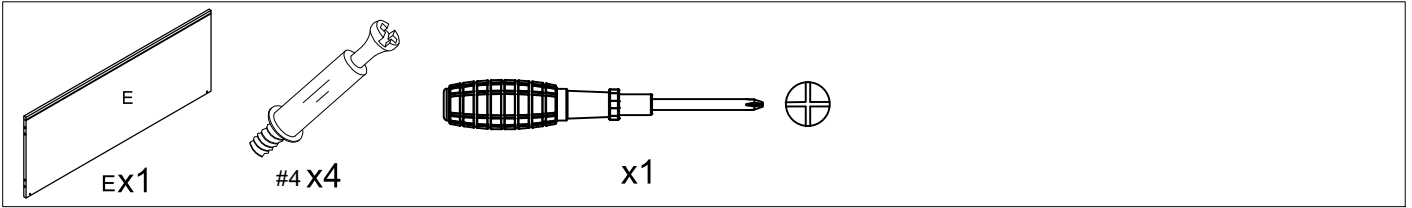
There are 2 holes on this side.



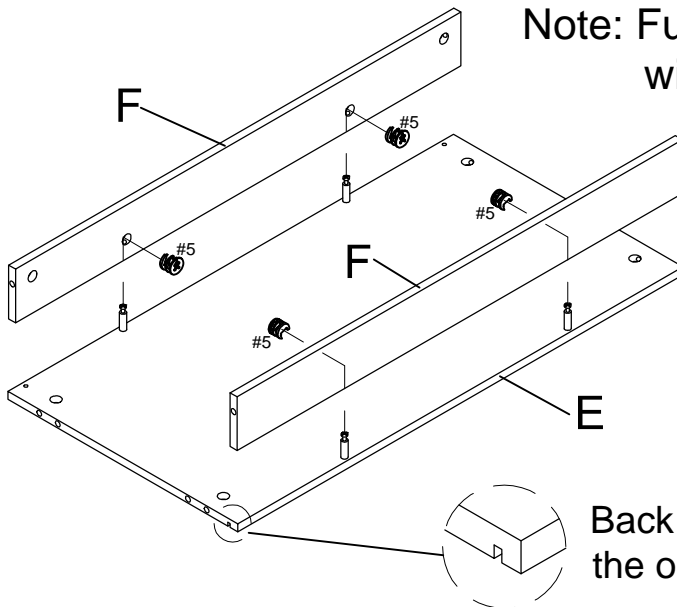
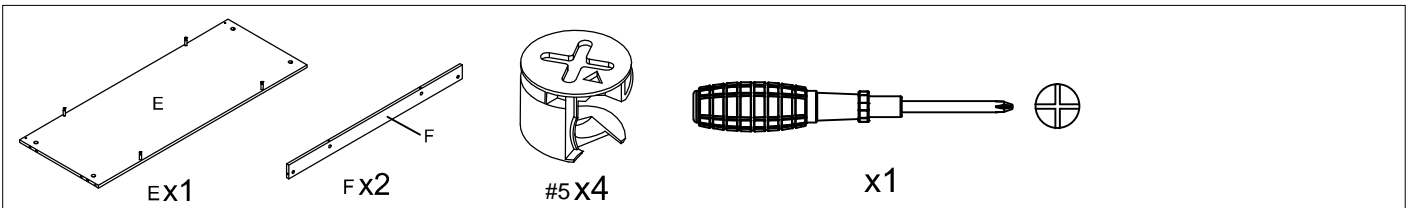
Step 2.



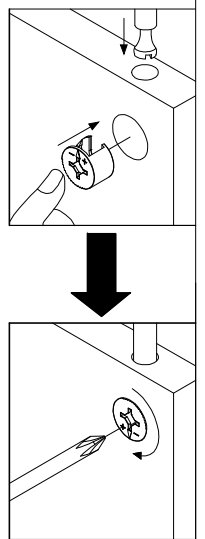
### Step 3.



### Step 4.

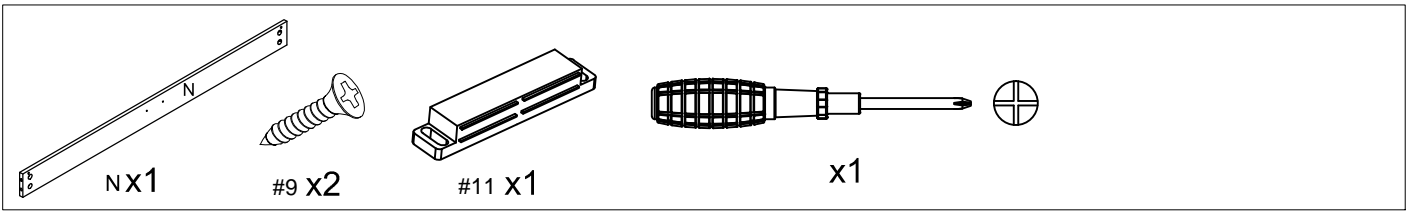


Note: Fully tighten #5 or it will cause wobble.

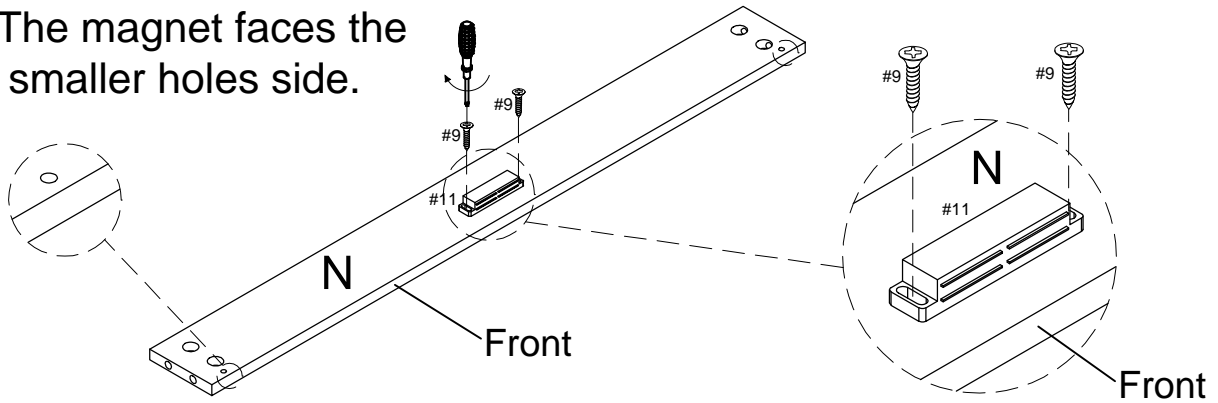


Back groove is on the opposite side.

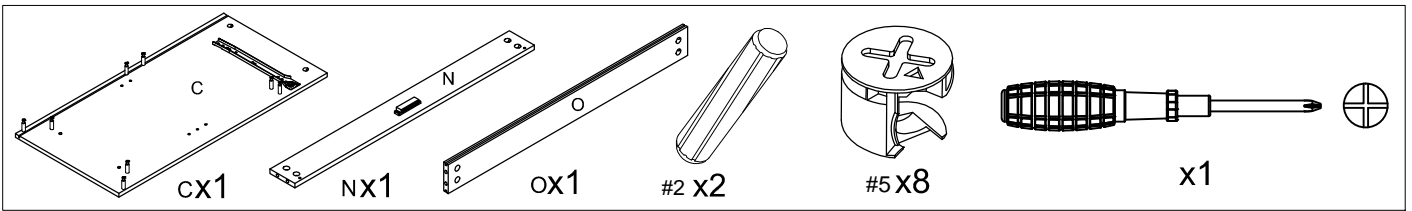
### Step 5.



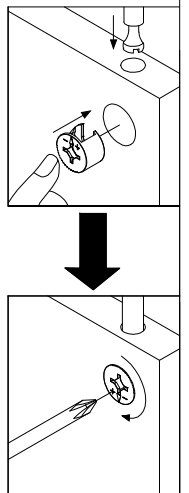
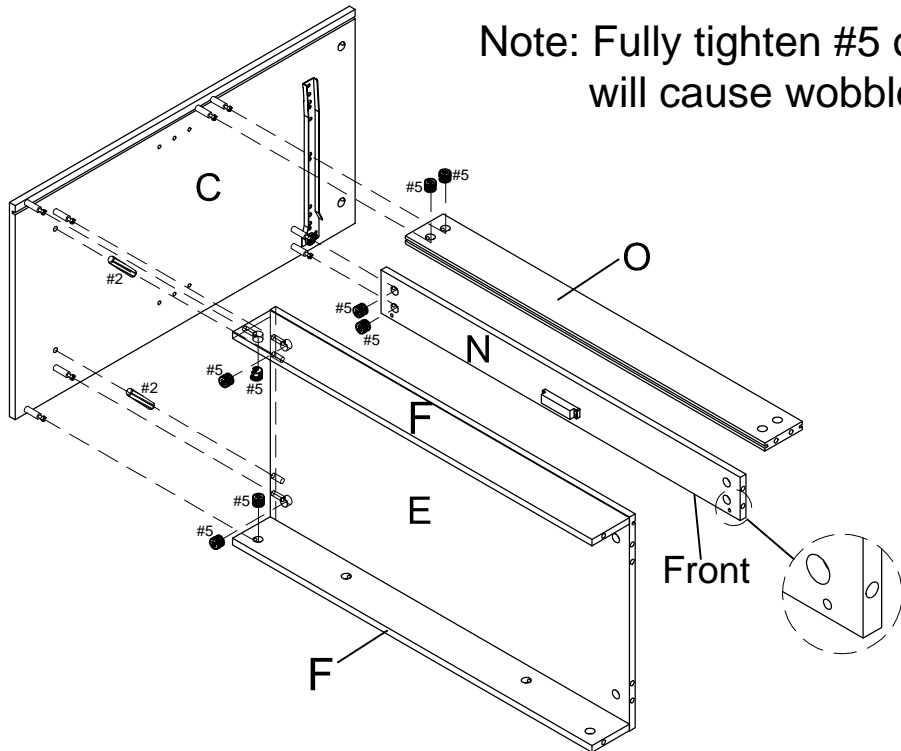
The magnet faces the smaller holes side.



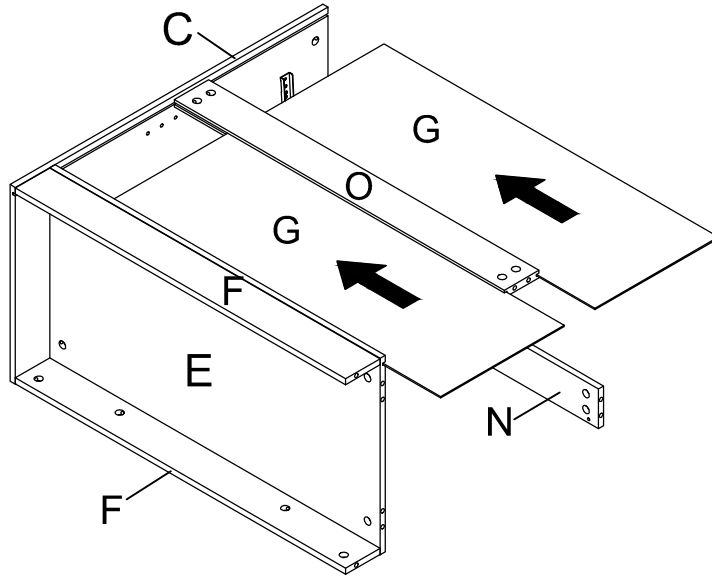
### Step 6.



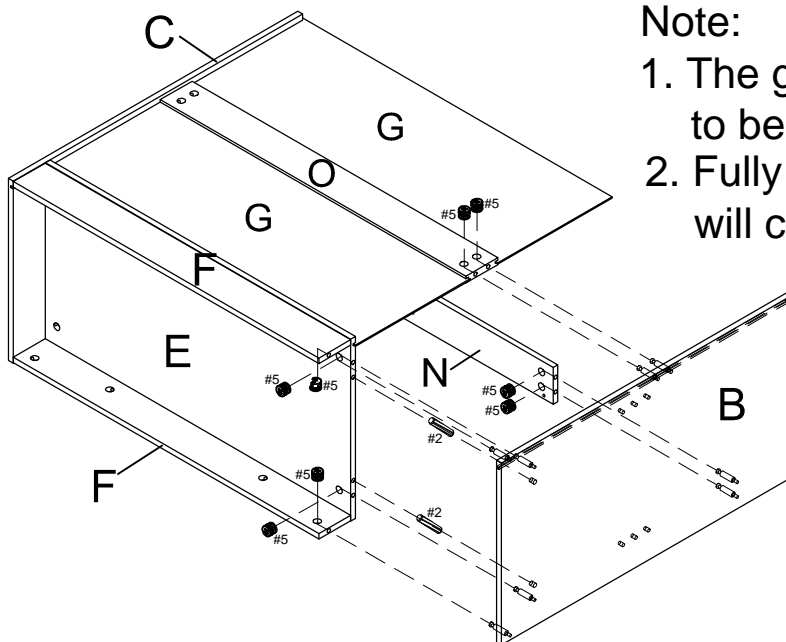
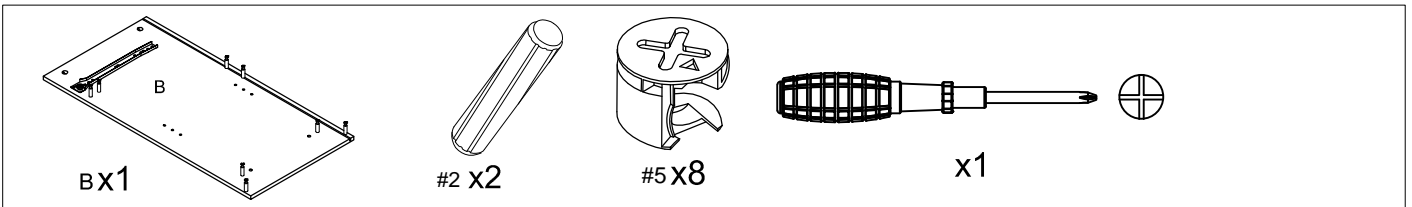
Note: Fully tighten #5 or it will cause wobble.



Step 7.

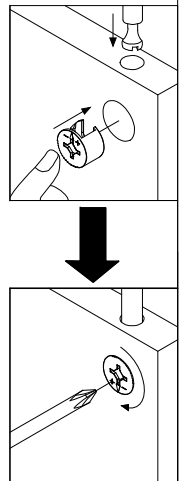


Step 8.

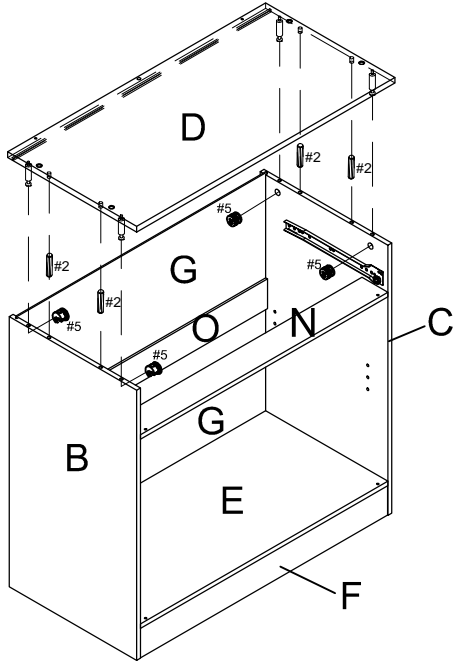
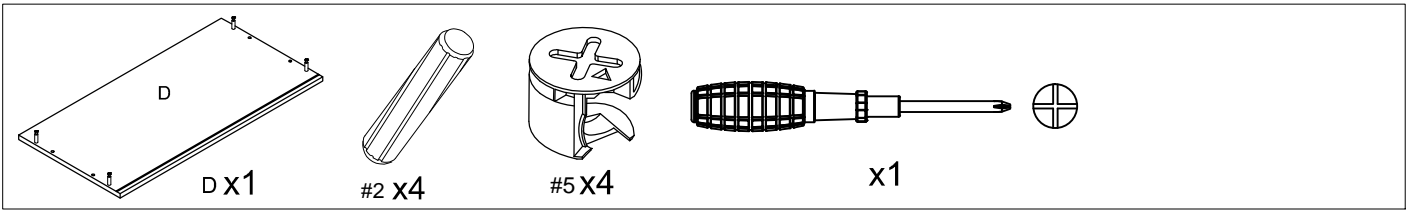


Note:

1. The groove on B needs to be aligned with G.
2. Fully tighten #5 or it will cause wobble.

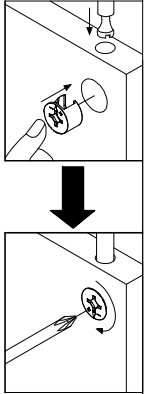


Step 9.

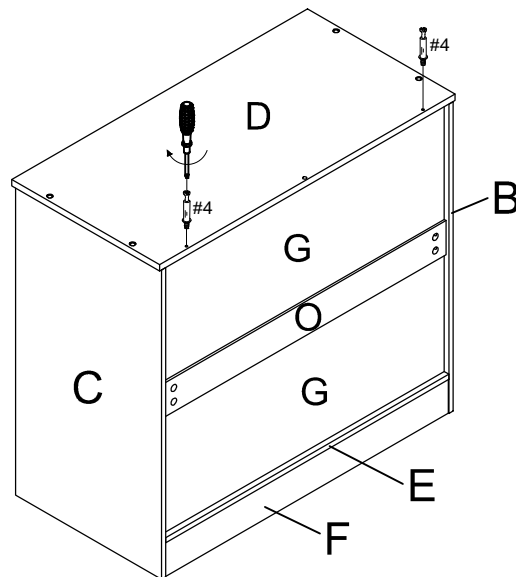
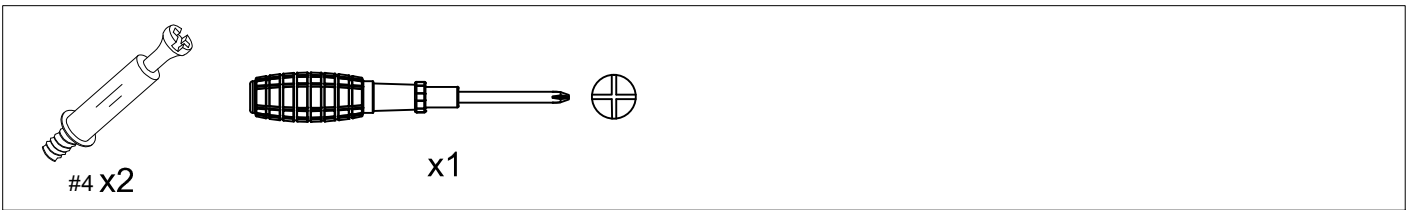


Note:

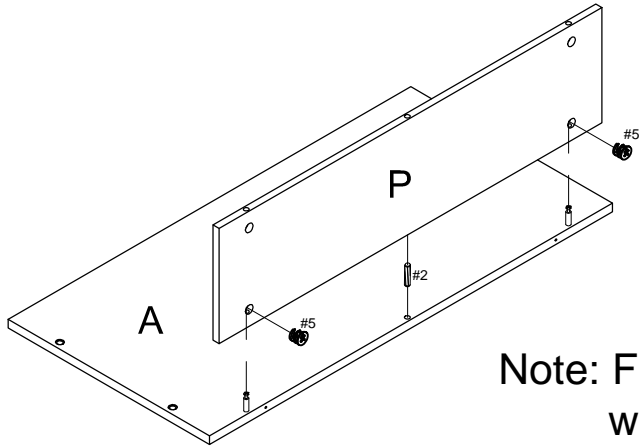
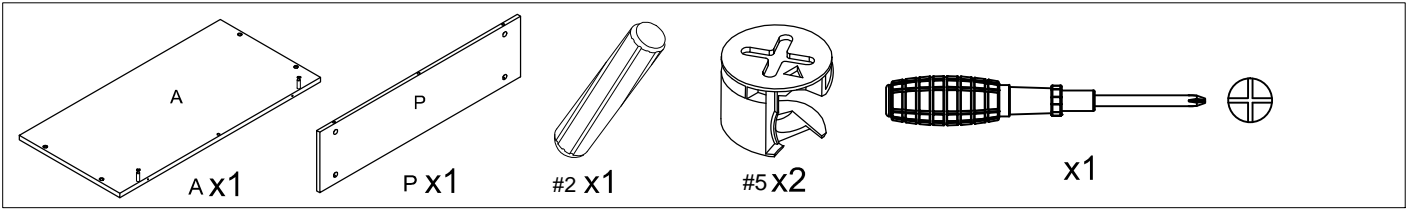
1. The groove on D needs to be aligned with G.
2. Fully tighten #5 or it will cause wobble.



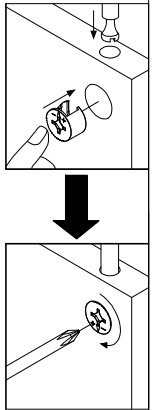
Step 10.



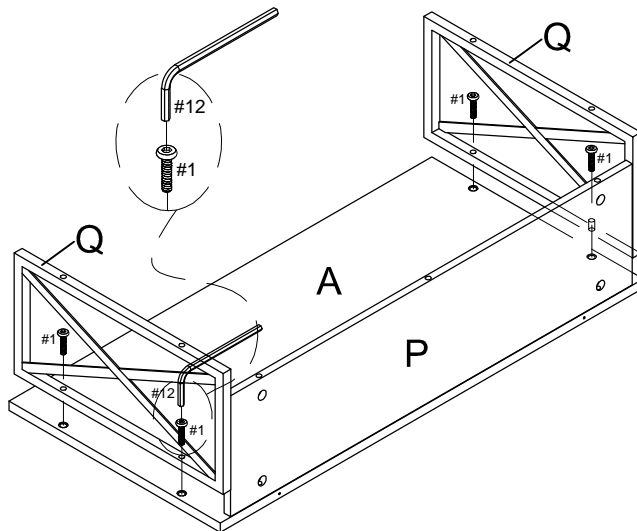
Step 11.



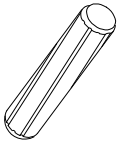
Note: Fully tighten #5 or it will cause wobble.



Step 12.



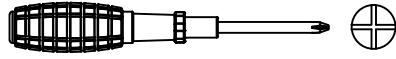
Step 13.



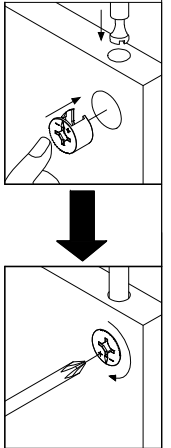
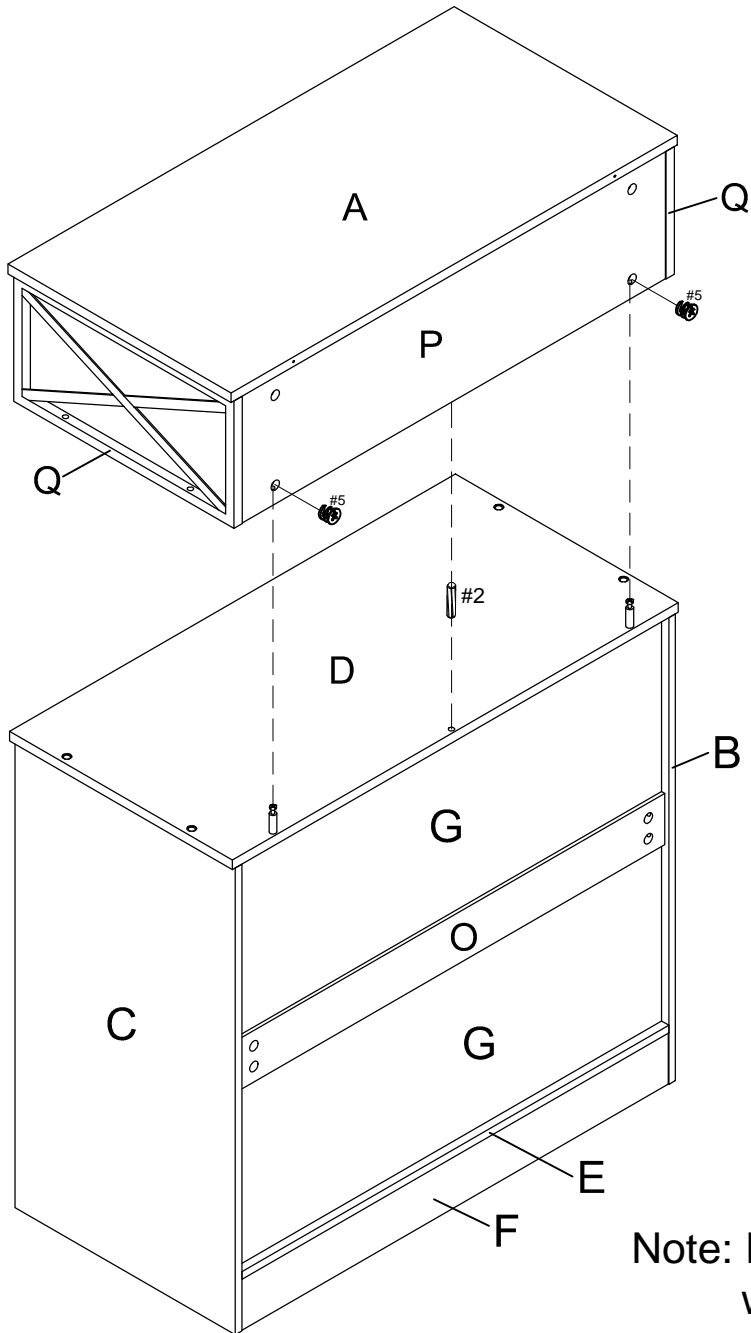
#2 x1



#5 x2

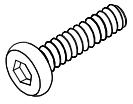


x1



Note: Fully tighten #5 or it will cause wobble.

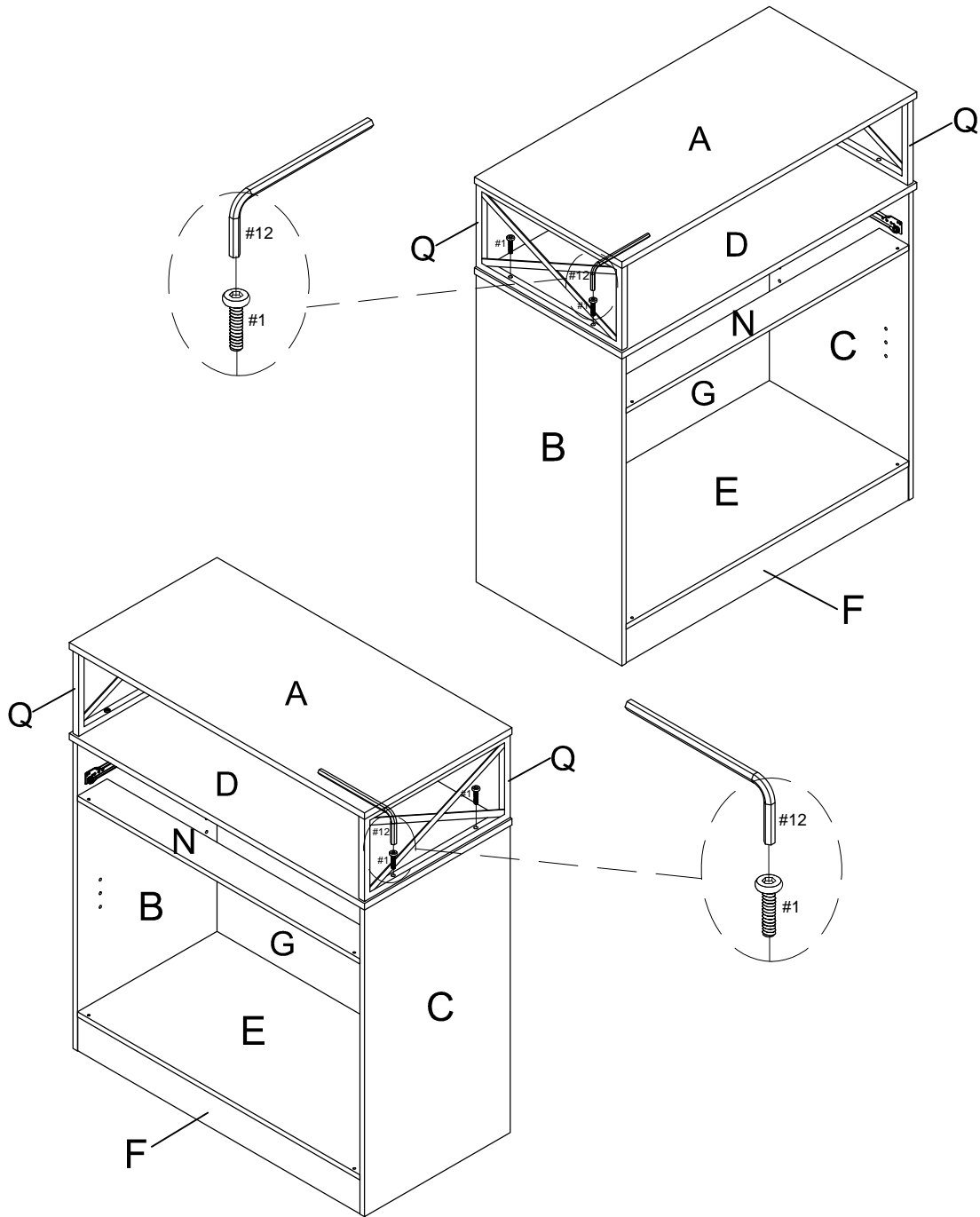
Step 14.



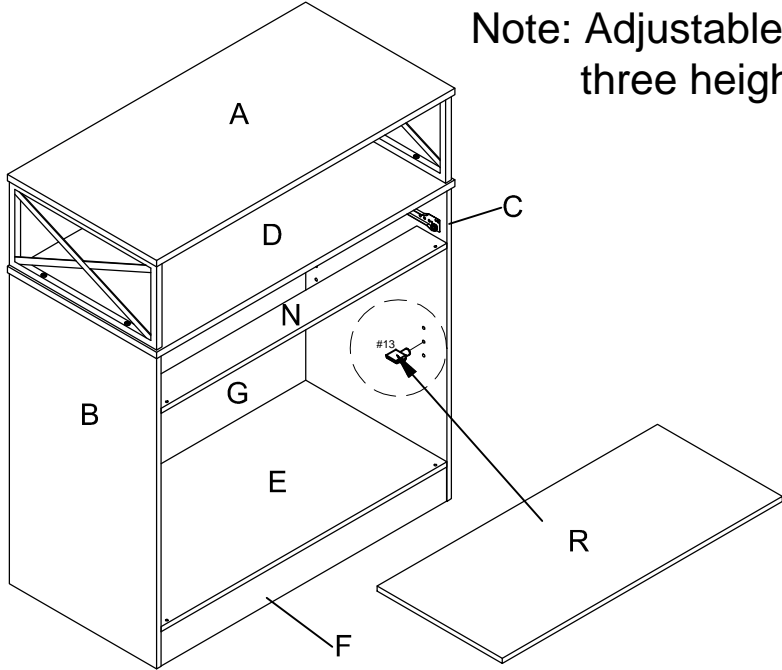
#1 x4



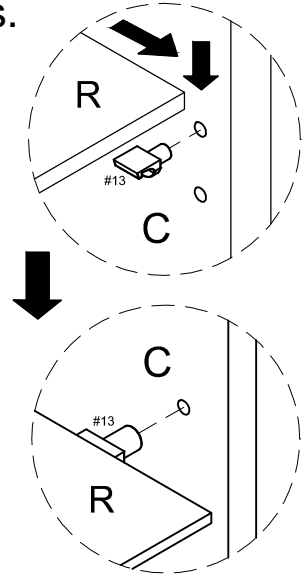
#12 x1



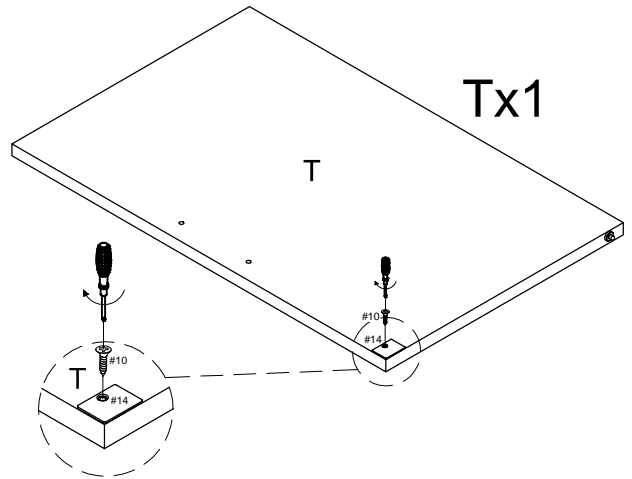
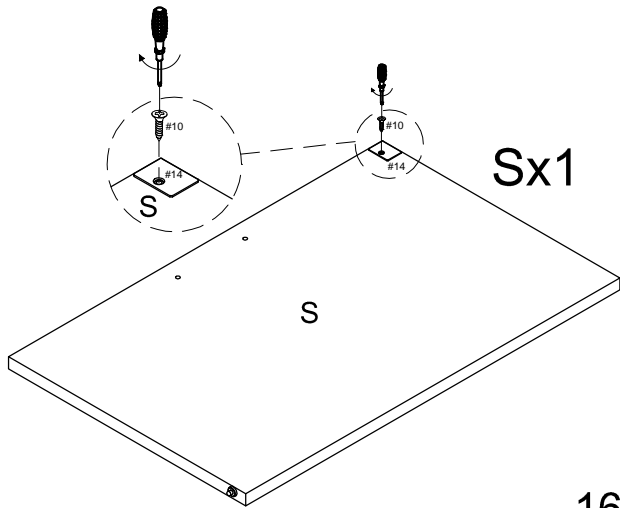
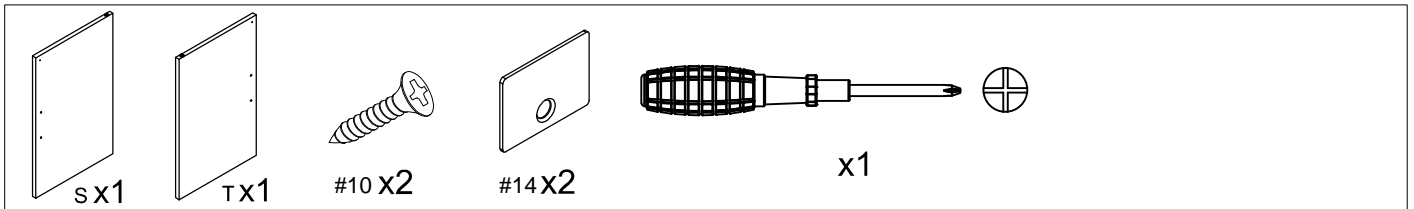
Step 15.



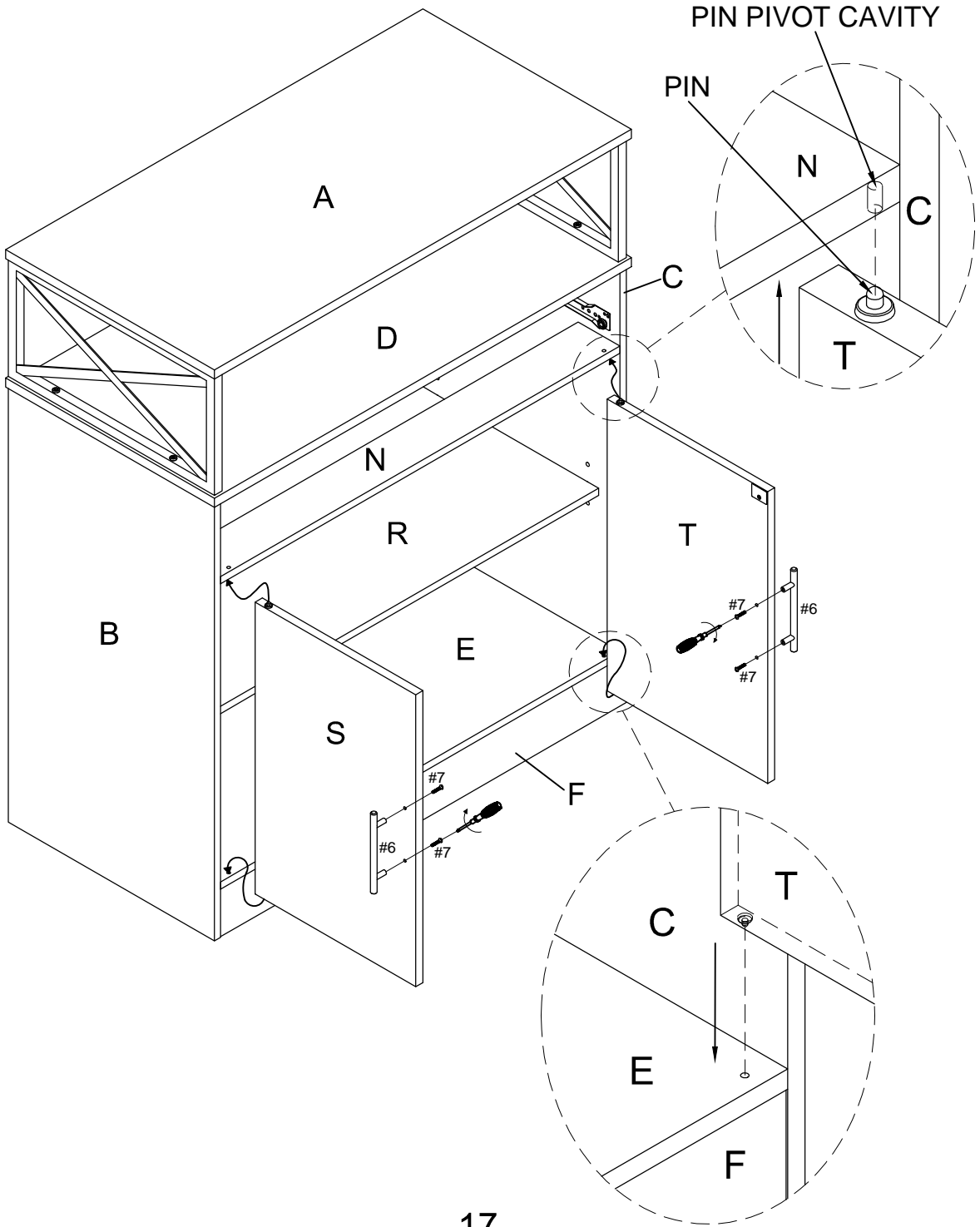
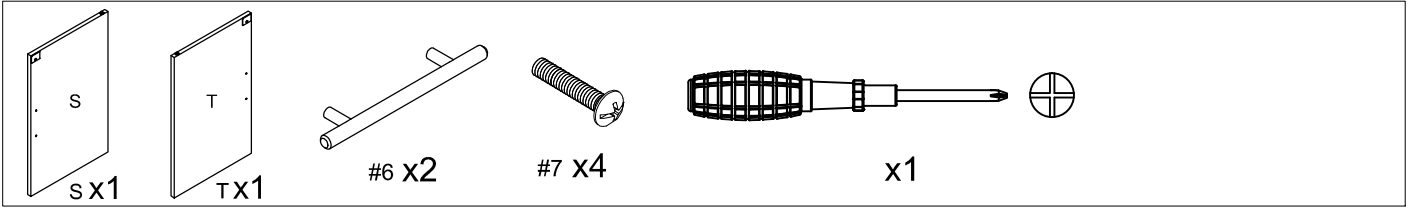
Note: Adjustable for three heights.



Step 16.



Step 17.



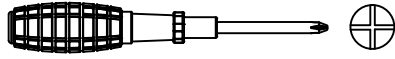
Step 18.



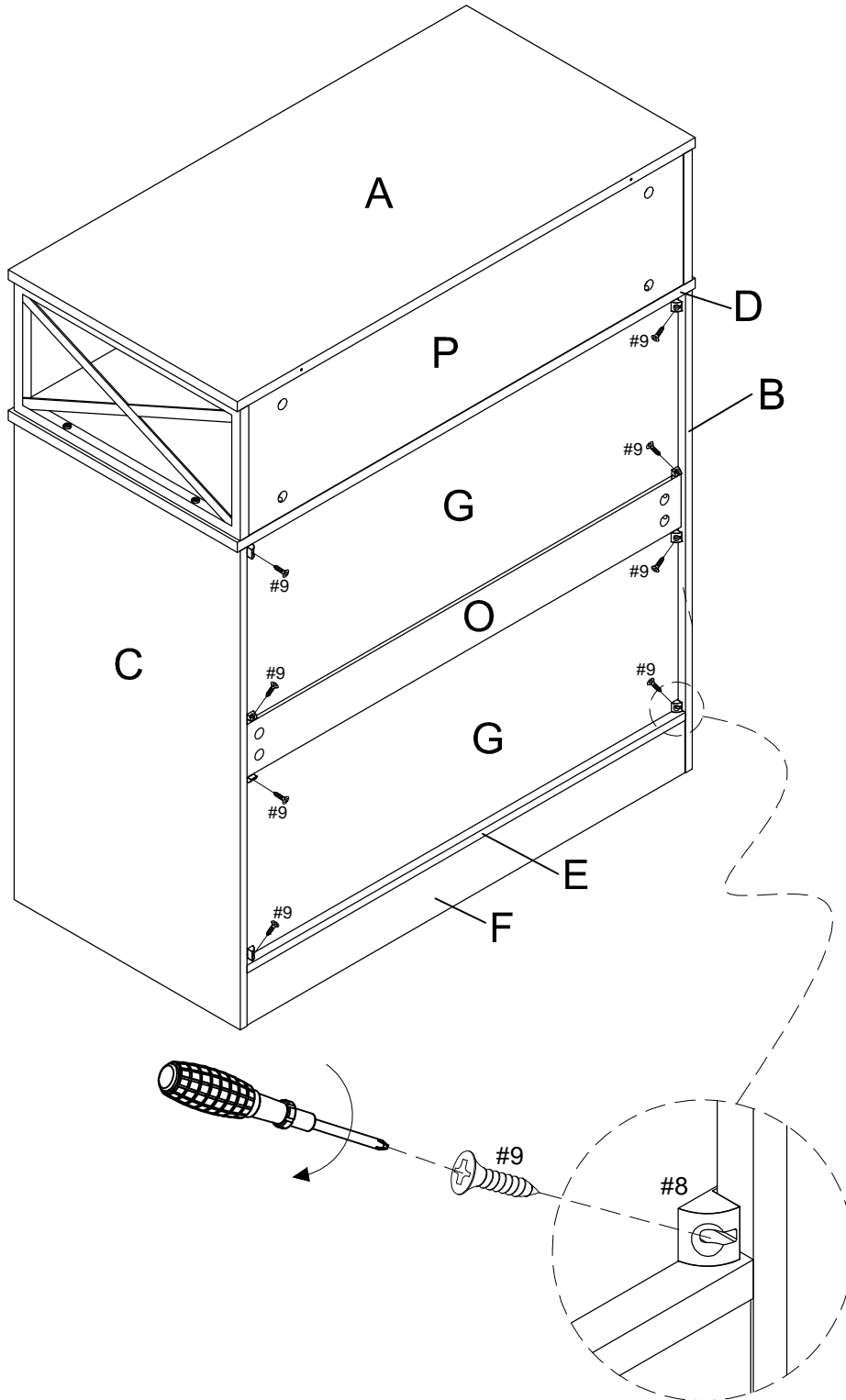
#8 x8

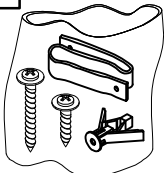
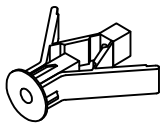

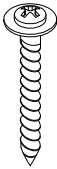
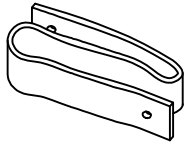


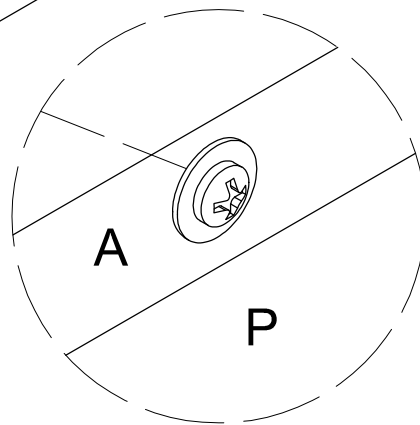
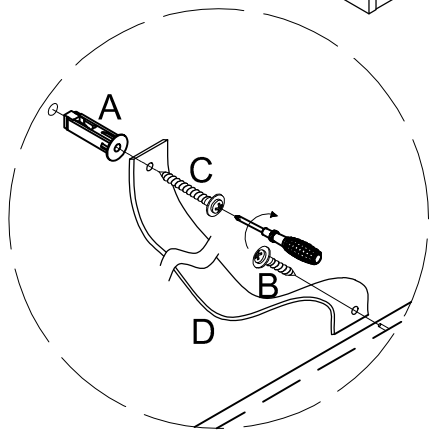
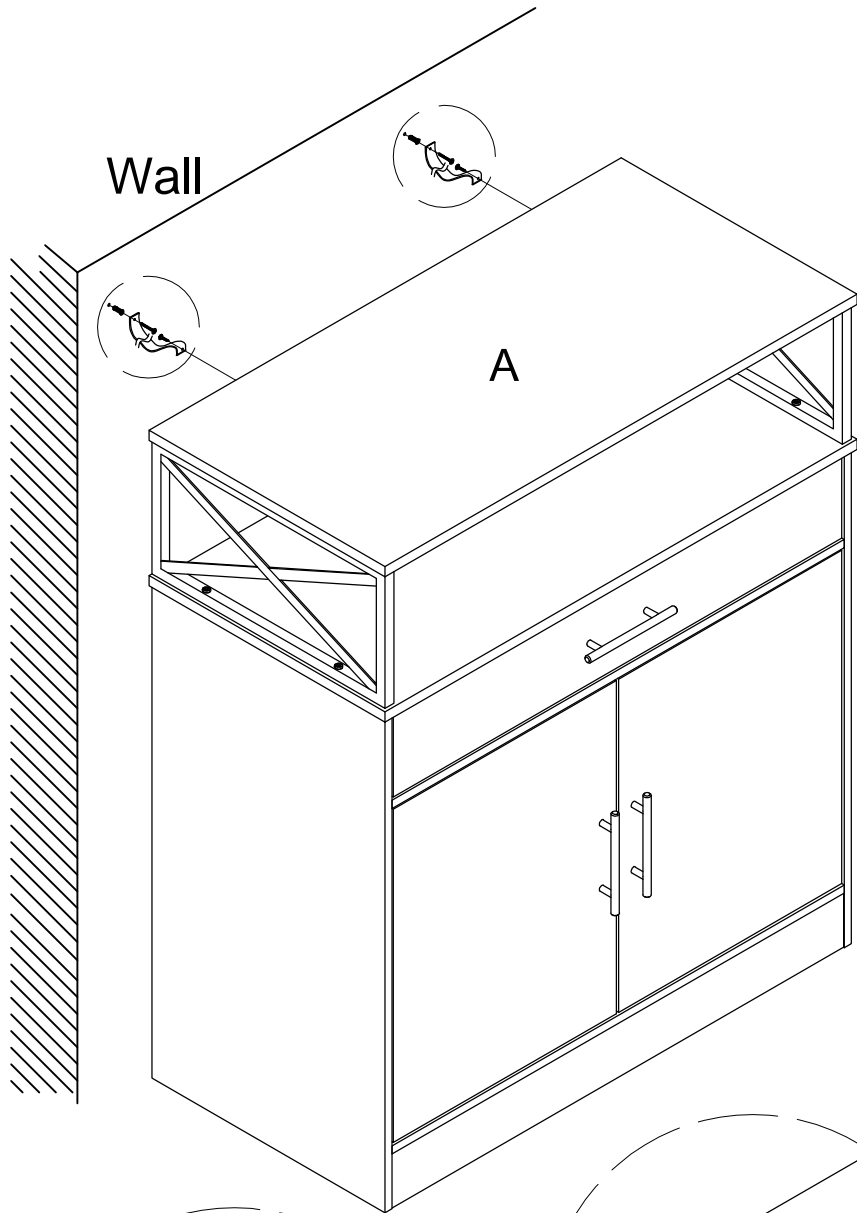
#9 x8



x1



<b>#15</b> 	<b>A</b> 	<b>B</b>  D8*3/4"	<b>C</b>  D8*1-1/2"	<b>D</b> 
Safety Strap Kit 2 SET	Wall Anchor 2 PCS	Short Screw 2 PCS	Long Screw 2 PCS	Safety Wall Strap 2 PCS



## Warning:

Seller is responsible for the product-related issues occurred upon receipt, but will not be responsible for the personal injury, property damage or loss resulting from the incorrect assembly, improper use, inadequate maintenance or neglect of this product.