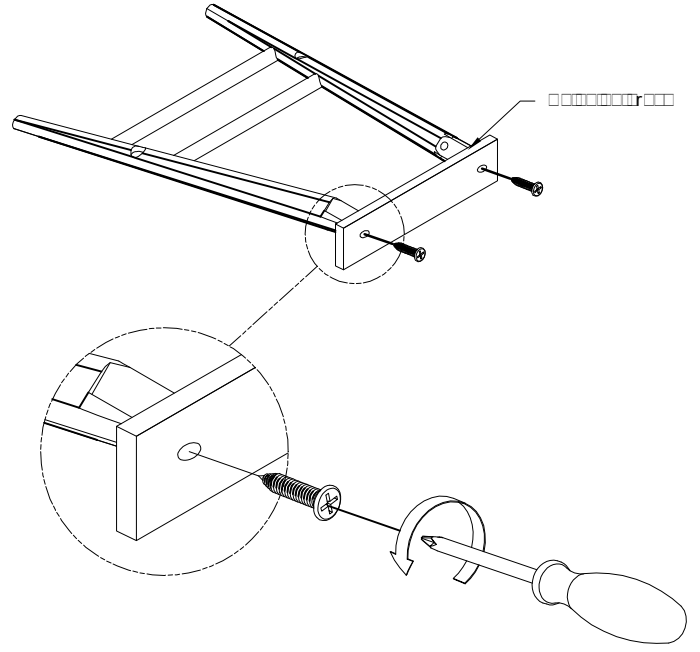
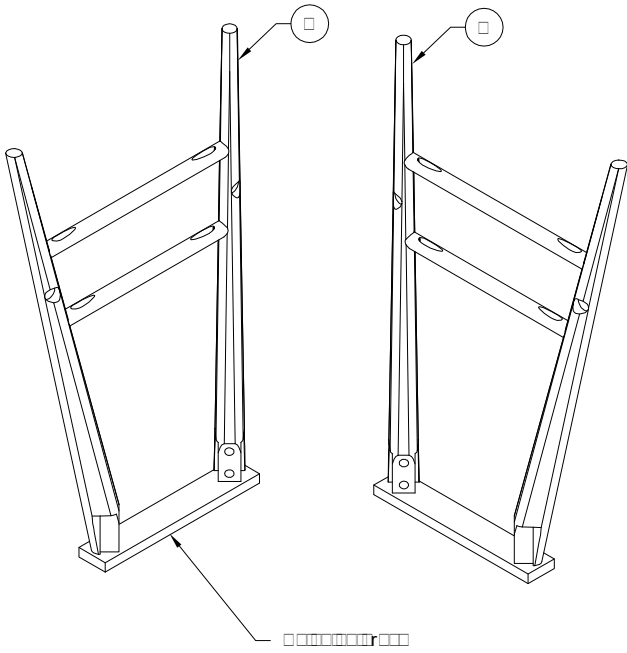
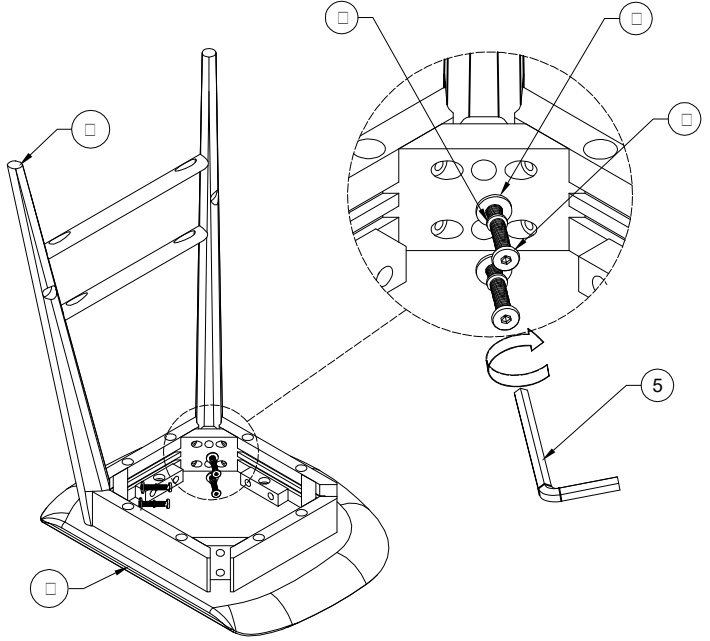
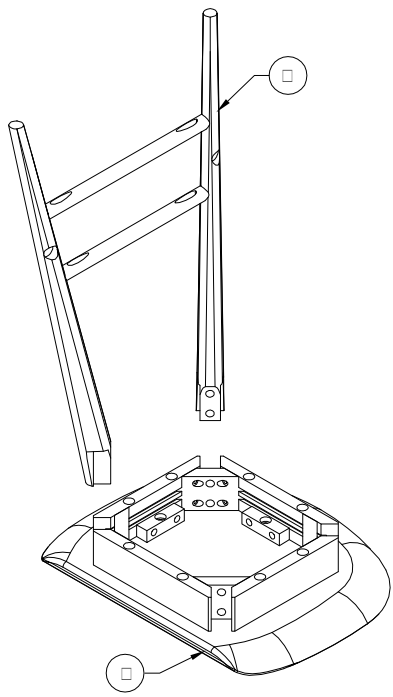


ASSEMBLY INSTRUCTIONS



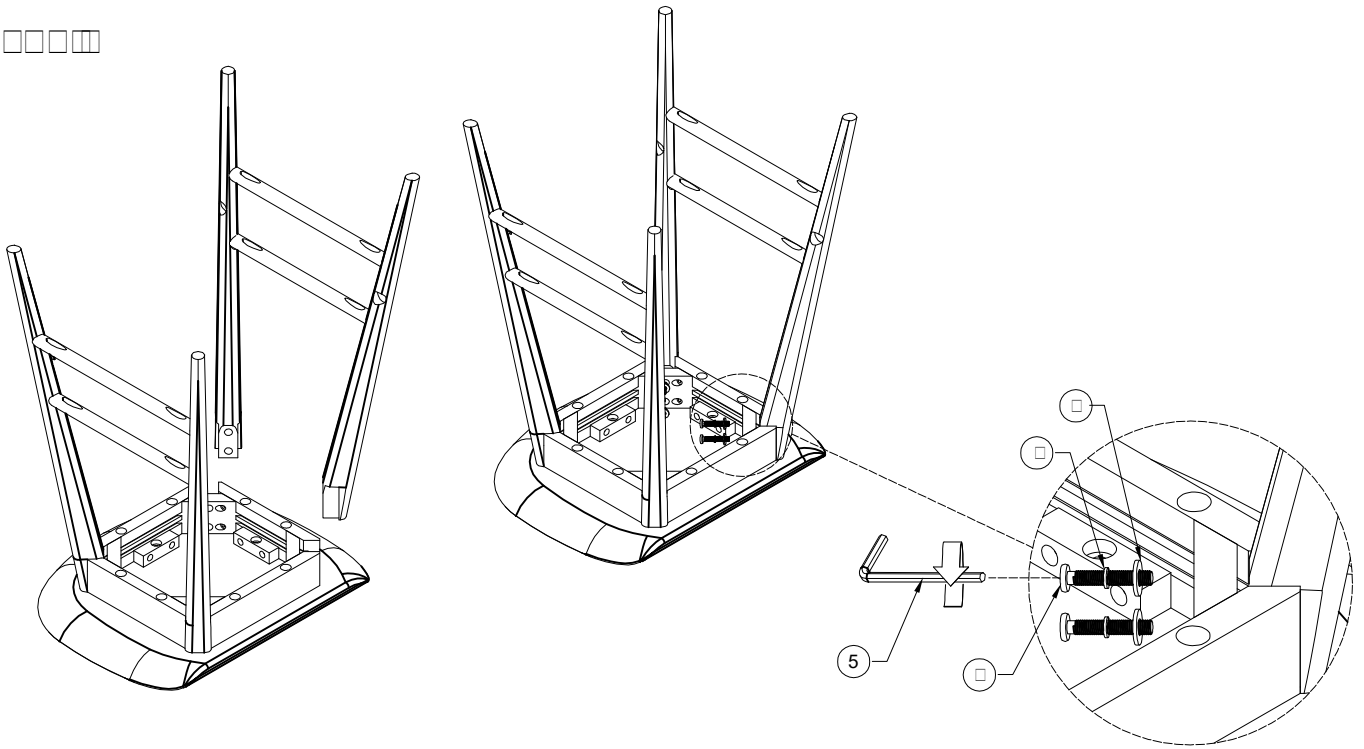
Step 1: Remove shipping brace on leg assemble using screwdriver (not provided).



Step 2: Place the seat on a non maring surface. Attach the leg assemble frame (B) and the seat (A) using flat washers (1), lock washers (2) , and allen bolts (3).

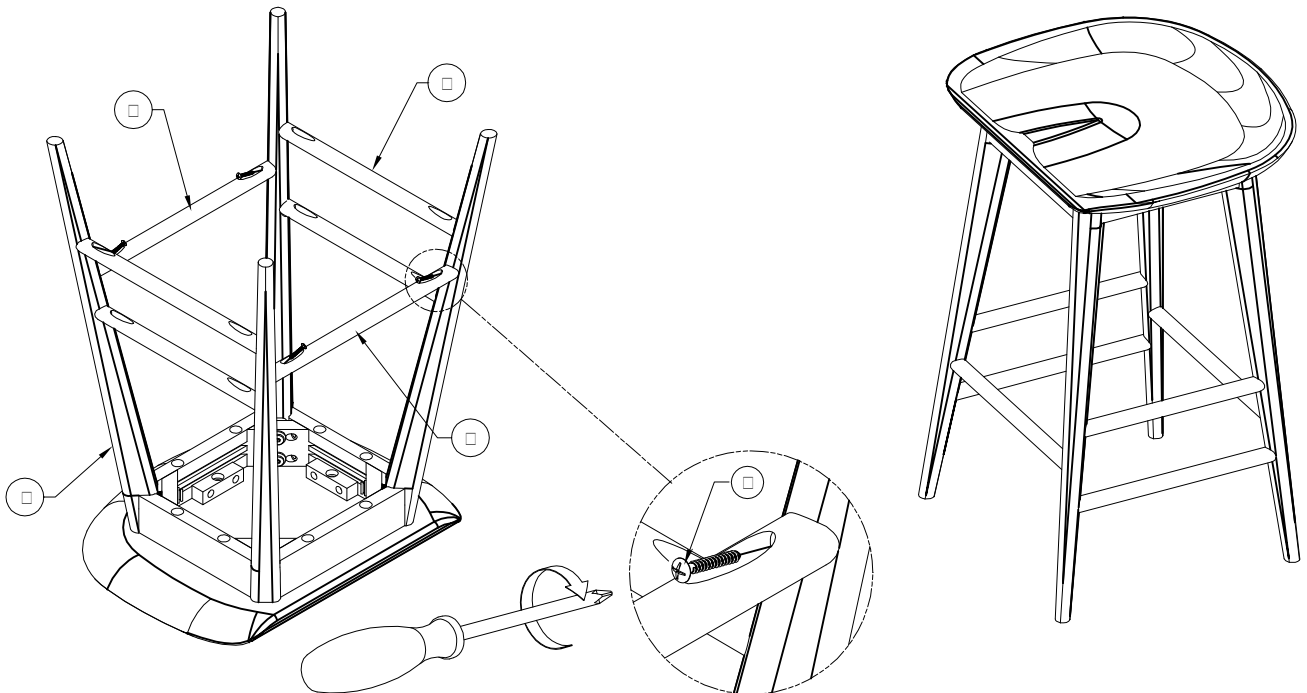
***Note : Do not tighten allen bolts! (Finger tight)**

ASSEMBLY INSTRUCTIONS



Step 3: Attach another the leg assemble (B) and the seat (A) using flat washers (1), lock washers (2) , and allen bolts (3).

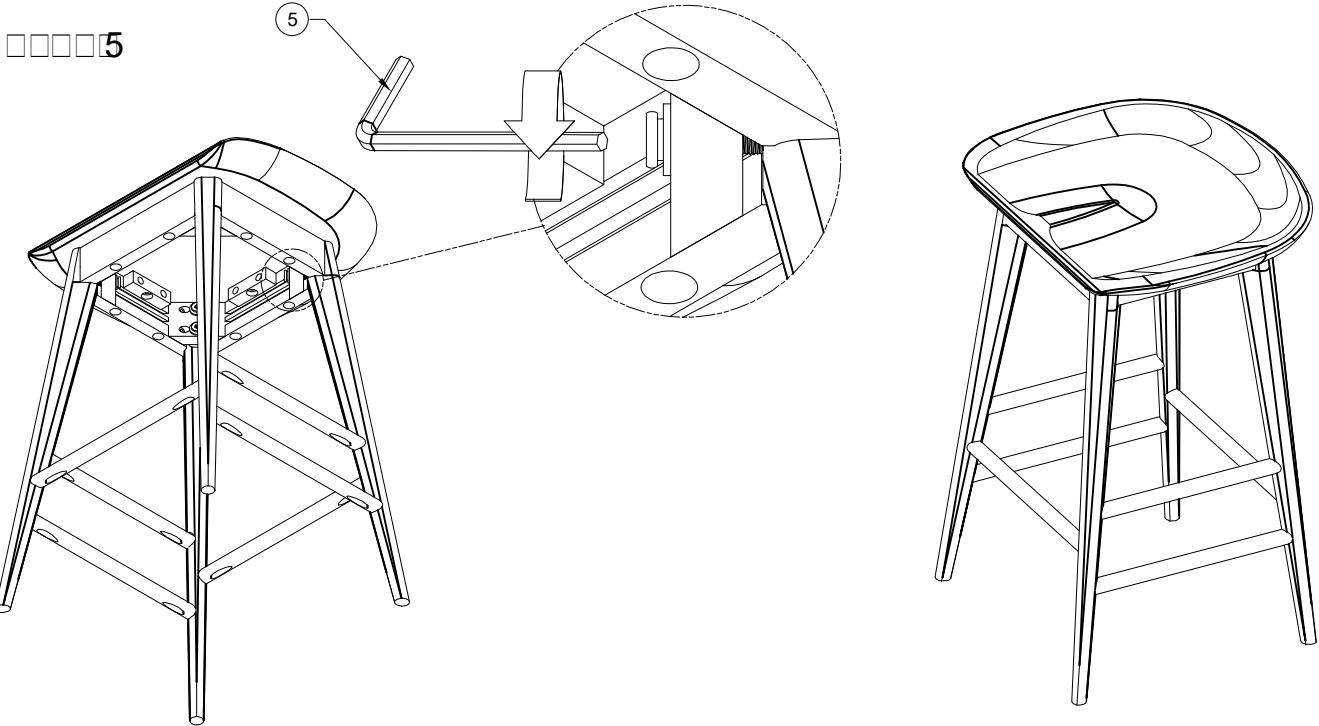
****Note : Do not tighten allen bolts! (Finger tight)***



Step 4: Insert the stretchers (C) into the assemble legs (B) with phillips screws (4). Then tighten using screwdriver (not provided).

****Note : Do not over tighten!***

ASSEMBLY INSTRUCTIONS

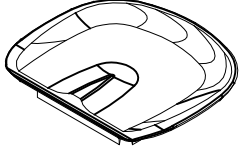
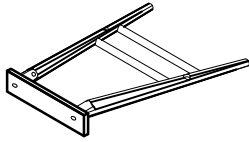
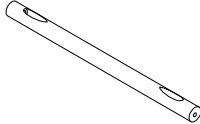


Step 5: Turn over. Check every part is aligned and level. Tighten all allen bolts firm. Then tight all screws firm.






***Note: Do not over tighten!**

***Periodically check all allen bolts and philip screws, to see if they need to be re tightening.**

PARTS LIST

<p>□□□□□□□□□□</p>	<p>□□□□□□M□□□□□□□□□□</p>	<p>□□□□□R□□□□□R□□□□□□</p>
		

HARDWARE PACK

NO.	DESCRIPTION		DIMENSION	Q' TY
□	□□□□□□ □□□□R		□ □□" □□□	□□□□
□	□□□□□□ □□□□R		□ □□" □□□	□□□□
□	□□□□□□□□□□		□ □□" □□□□□"	□□□□
□	□□□□□□□□□□R□□		□ □□" □□□□□"	□□□□
5	□□□□□□□ R□□□□		□ □□□5	□□□

