

Installation Instructions for Bathroom Mirror

IMPORTANT INFORMATION

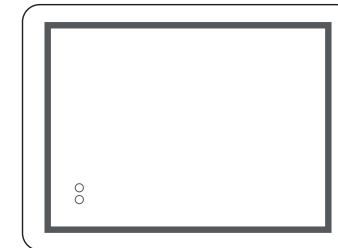
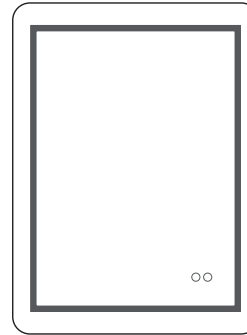
To avoid the risk of electrocution,
please turn OFF the electricity supply mains
before commencing the installation.

Do not stand the mirror upright on hard
surfaces whilst fitting as this will damage the edge.
Keep the plastic corner protectors on
until installation is fully completed.



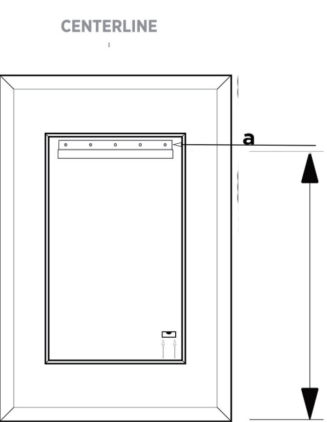
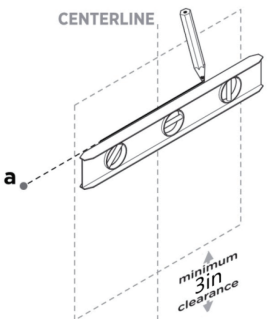
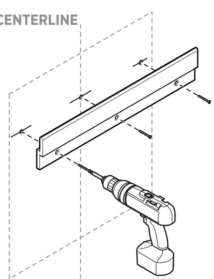
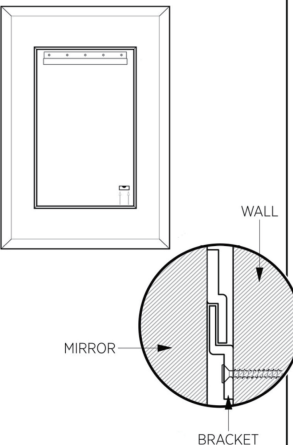
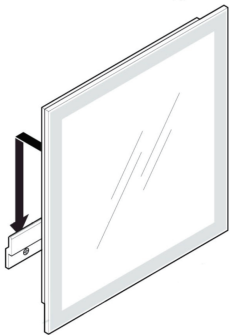
Tips:

The mirror can be Horizontally Mounted
or Vertically Mounted.



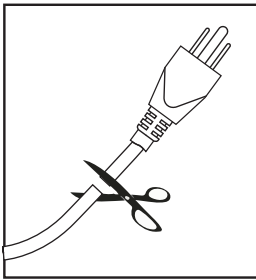
1. Installation

Note: Keep the plastic corner protectors on until installation is fully completed.

<p>1 Measure the distance between the bottom of the mirror and point a.</p>  <p>WARNING: Mounting bracket must be attached to furring strip/channel or wall stud.</p>	<p>2 Draw a horizontal line from the point a using a level.</p> 	<p>3 Attach the mounting bracket to the wall.</p> 	<p>4 Connect the Hard Wire to the mirror.</p> 	<p>5 Hang the mirror on the bracket.</p> 
--	---	--	--	---

2. Power Connection Instruction

The mirror comes with a 5 ft power cable that can be directly plugged into the switch for convenient use. It can also be hardwired by cutting off the plug and control the ON/OFF of power via the wall switch.



Warning:

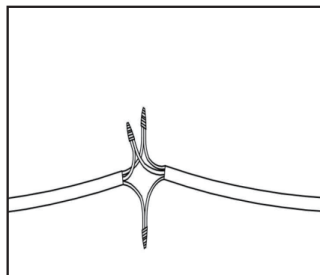
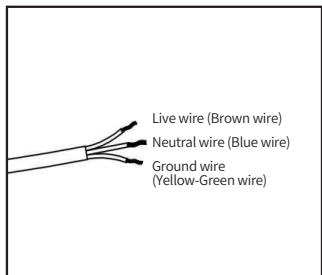
Removing the plug connector will invalidate your product warranty.

If you would like to test the product function prior to installation, please test the product in any standard plug socket.

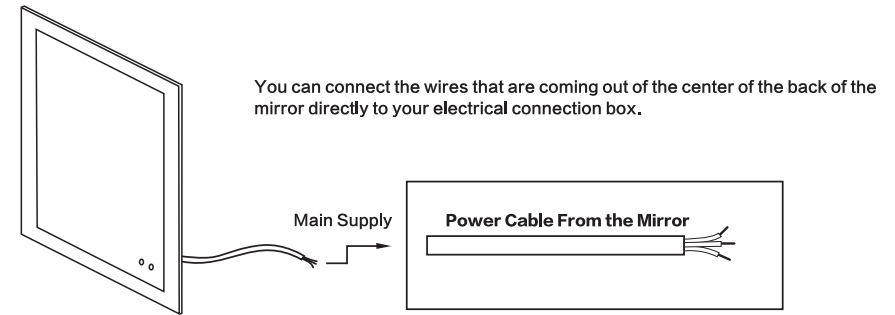
Before you start the installation, please ensure that:

- the wall where the product is being installed is able to support the weight of the product
- the main electrical supply has been powered off to complete installation

- Yellow-Green=GROUND wire connect to the ground wire in your box, or to the box as a ground.
- Blue=Neutral wire connect to the Blue Neutral wire in your box.
- Brown=LIVE wire connect to the Brown LIVE wire in your box.



- (1) You would see there three wires with three colors--Brown, yellow-green and Blue.
- (2) Safely connect these three wires one by one to the wires of the wall switch in your home.

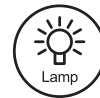


Operation

The sensor button indicator is blue when it is OFF and will turn white when it is ON.

Lighting Color Adjust

Short touch the power button to adjust the lighting color. It has three colors to select, natural light/warm yellow/white light



1. Short touch the power button to turn the light ON/OFF.

Short touch again to choose the light (natural light/warm yellow/white light).

2. Long touch the power button to dim the currently selected light.



3. Anti-fog Function On/Off

Touch this button in order to turn the defogger ON/OFF.