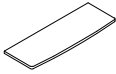
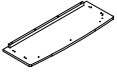


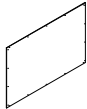
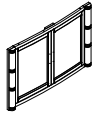











ASSEMBLY INSTRUCTION

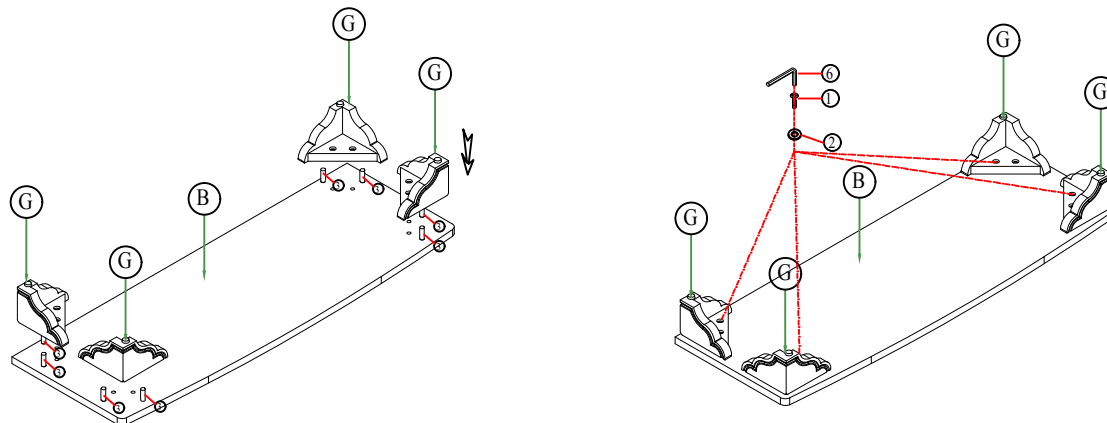
Thank you for purchasing this quality product. Be sure to check all packing material carefully for small parts which may have come loose inside the carton during shipment. Separate, identify and count all parts and metal hardware. Compare with parts list to be sure all parts are present. If any part(s) are missing or damaged, please contact your local furniture dealer. For efficient and speedy service, please indicate the model number and code letter of part(s) needed.

*** Do not fully tighten screws until fully assembled ***

No.	COMPONENT LIST		Q'ty	No.	COMPONENT LIST		Q'ty
Ⓐ		Top Panel	1pc	Ⓑ		Bottom Panel	1pc
Ⓒ		Side Panel	2pcs	Ⓓ		Adjust Shelf	1pc
Ⓔ		Back Panel	1pc	Ⓕ		Front Frame	1pc
Ⓖ		Legs	4pcs				

No.	HARDWARE LIST		Q'ty	No.	HARDWARE LIST		Q'ty
①		Bolts 1/4"x1.2"	26	②		Flat Washer 1/4"x0.5"	26
③		Wooden Pegs 0.4"x1.2"	16	④		Latch Shelf	4
⑤		Screws 0.13"x0.6"	22	⑥		Allen Key K4	1
⑦		Handle	2	⑧		Screws Handle 5/32"x1"	4

Step 1: Take the Wooden pegs (3) Put into Bottom panel (B). Then Connect Legs (G) and (B) with Bolts (1), Washer (2). The end use Allen Key (4) full tighten all bolts.

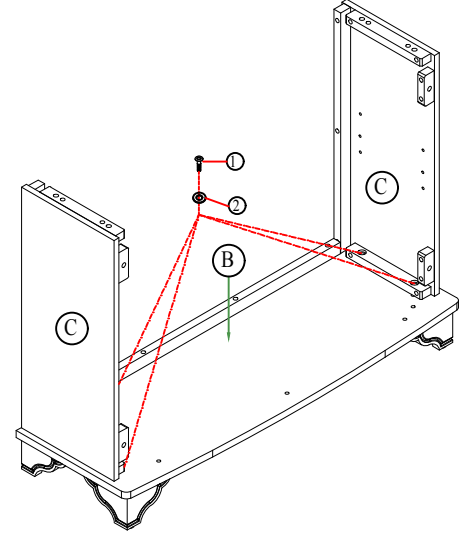
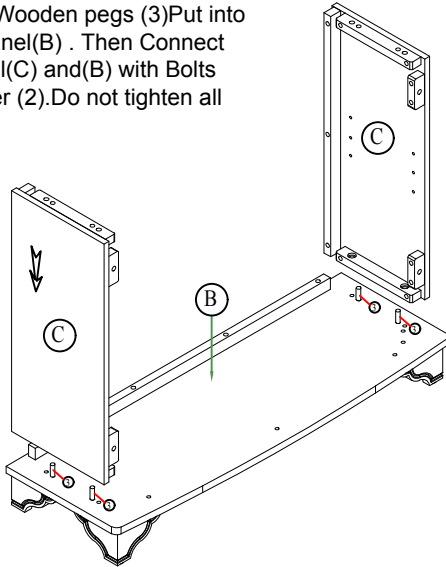


ASSEMBLY INSTRUCTION

Thank you for purchasing this quality product. Be sure to check all packing material carefully for small parts which may have come loose inside the carton during shipment. Separate, identify and count all parts and metal hardware. Compare with parts list to be sure all parts are present. If any part(s) are missing or damaged, please contact your local furniture dealer. For efficient and speedy service, please indicate the model number and code letter of part(s) needed.

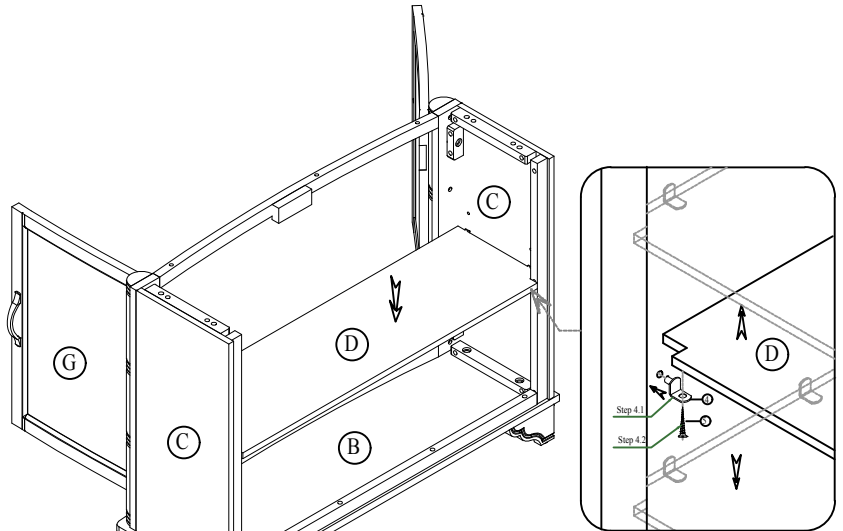
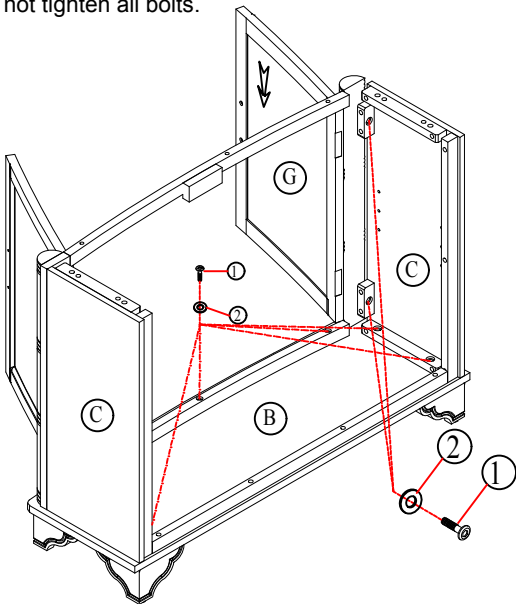
***** Do not fully tighten screws until fully assembled *****

Step 2: Take the Wooden pegs (3) Put into Bottom panel(B) . Then Connect Side panel(C) and(B) with Bolts (1),Washer (2).Do not tighten all bolts.



Step 4: Connect Adjust shelf(D) in to (C) with Latch Shelf (4) and screw(5). Full tighten all Screws.

Step 3: Connect Front Farnie(F) in to (B) and (C) with Bolts (1),Washer (2).Do not tighten all bolts.

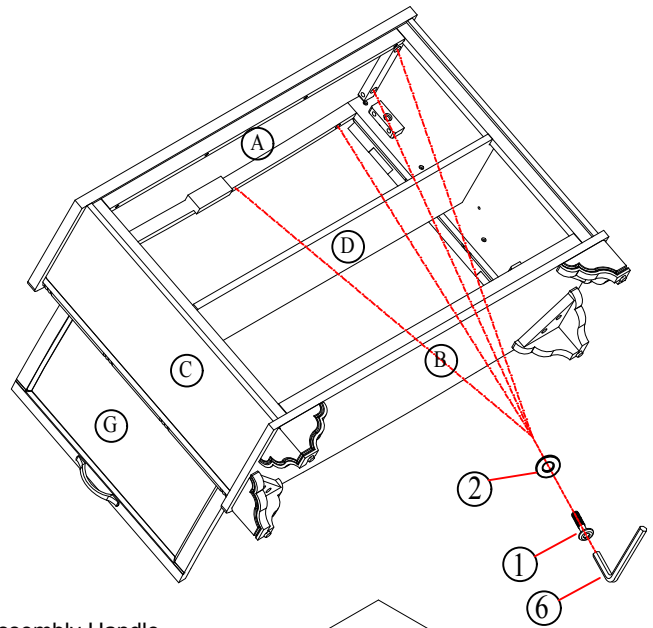
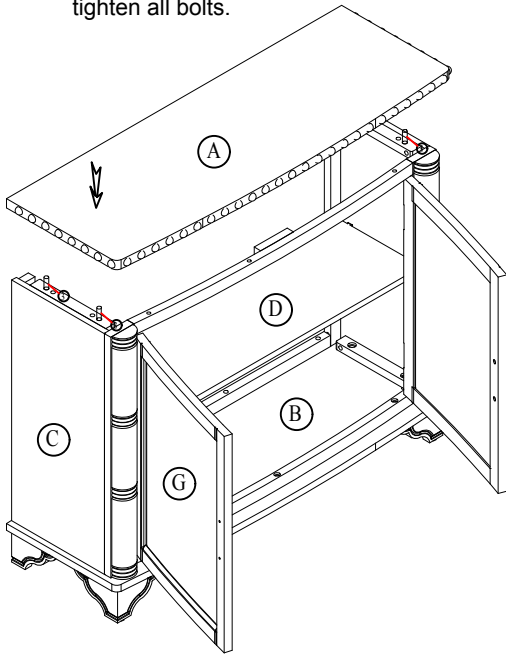


ASSEMBLY INSTRUCTION

Thank you for purchasing this quality product. Be sure to check all packing material carefully for small parts which may have come loose inside the carton during shipment. Separate, identify and count all parts and metal hardware. Compare with parts list to be sure all parts are present. If any part(s) are missing or damaged, please contact your local furniture dealer. For efficient and speedy service, please indicate the model number and code letter of part(s) needed.

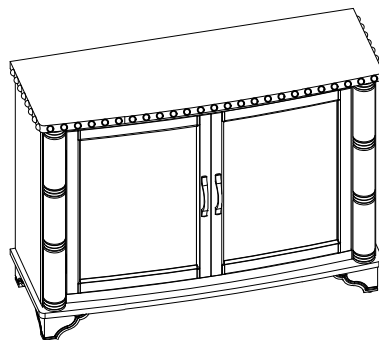
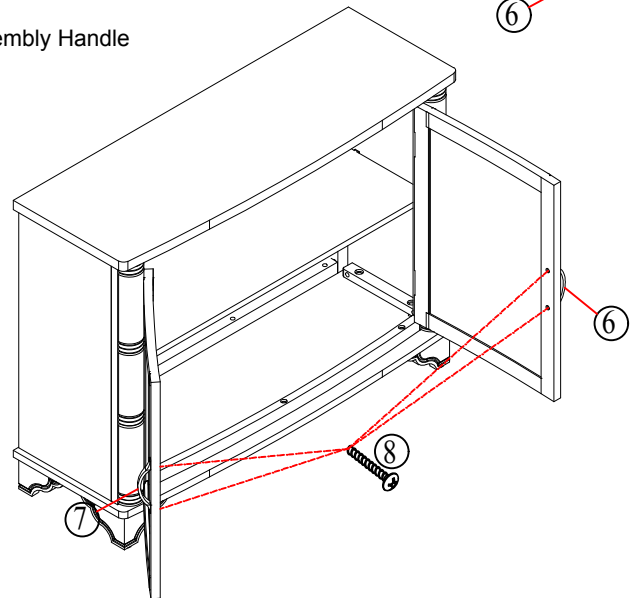
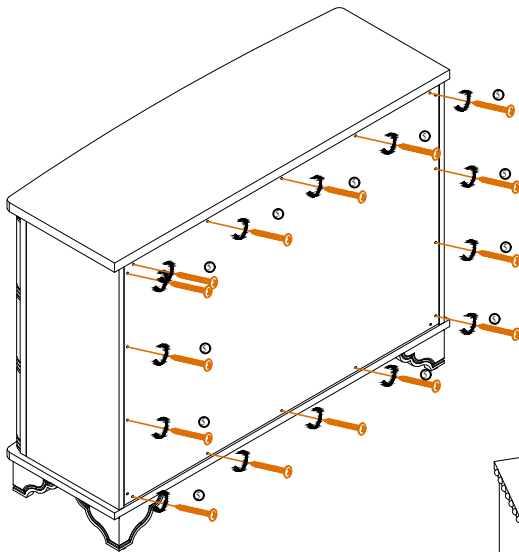
*** Do not fully tighten screws until fully assembled ***

Step 5: Take the Wooden pegs (3) Put into (C) . Then Connect Top panel(A) and(C) with Bolts (1),Washer (2). Full tighten all bolts.



Step 7: Assembly Handle

Step 6: Connect Back Panel(E) in to (C) and with Screw(5). Full tighten all Screws.



FINISH .
THANK YOU !