

# ASSEMBLY INSTRUCTION

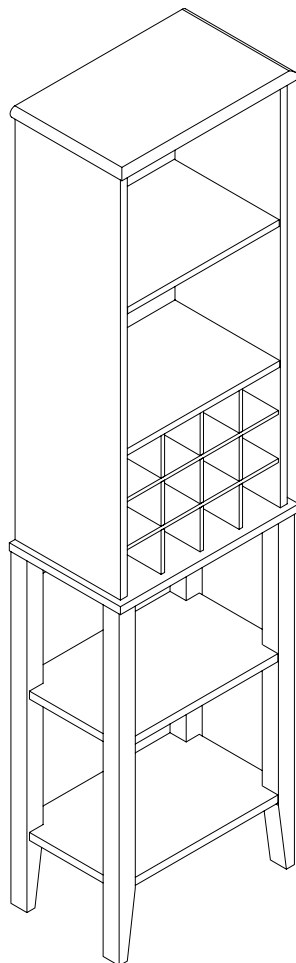
---

## **PLEASE READ BEFORE ASSEMBLING!**

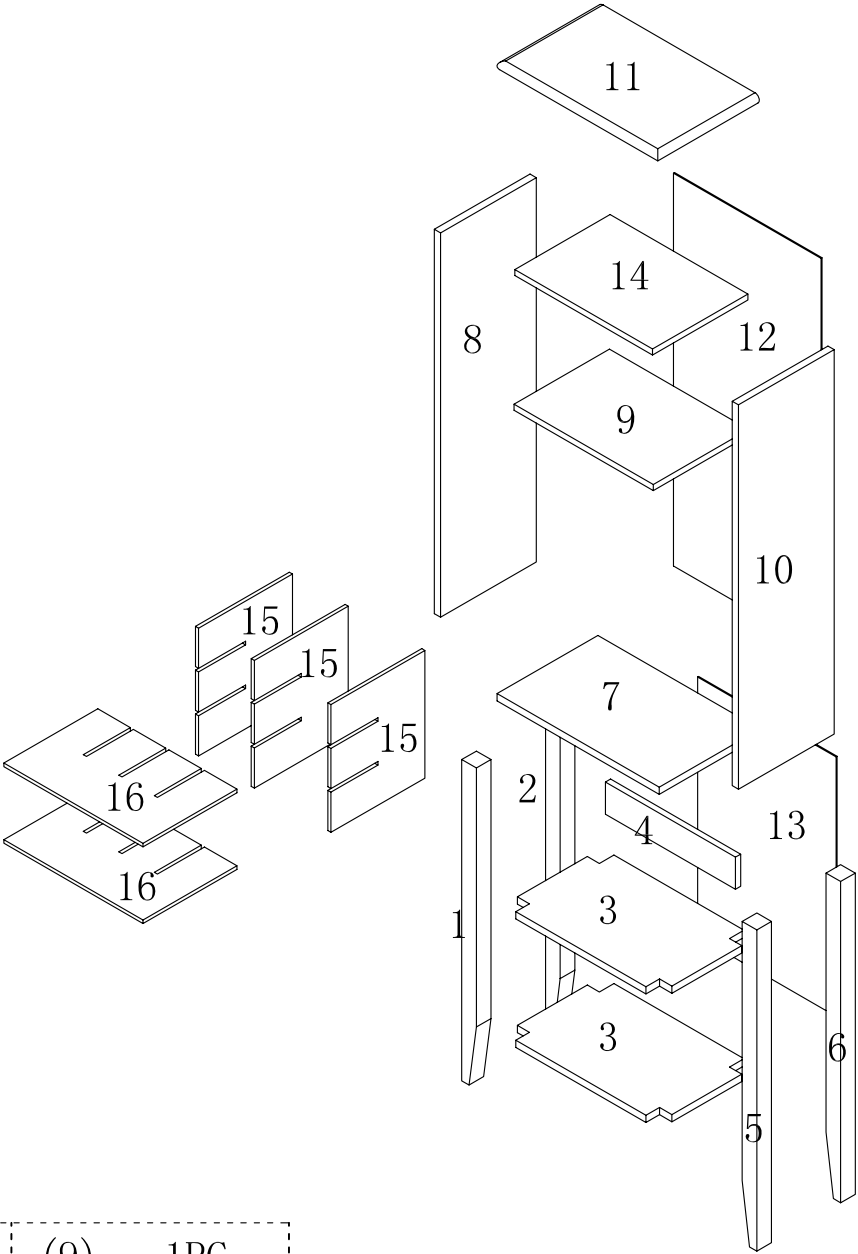
Tip #1: Make sure you've taken all the pieces and hardware out of its packaging before discarding the box.

Tip #2: Using page 2 and/or page 3 of instruction manual make sure all pieces and hardware are accounted for.

Tip #3: Read manual before assembling, it helps!


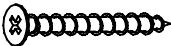
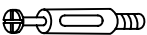


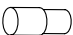
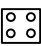



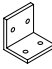


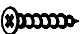

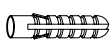

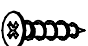



# PARTS IDENTIFICATION

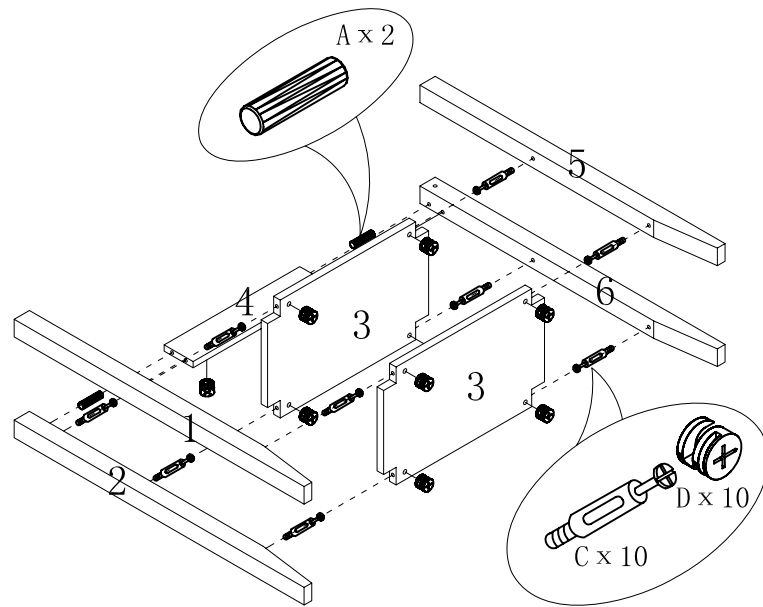


(1)	1PC	(9)	1PC
(2)	1PC	(10)	1PC
(3)	2PCS	(11)	1PC
(4)	1PC	(12)	1PC
(5)	1PC	(13)	1PC
(6)	1PC	(14)	1PC
(7)	1PC	(15)	3PCS
(8)	1PC	(16)	2PCS

# HARDWARE IDENTIFICATION

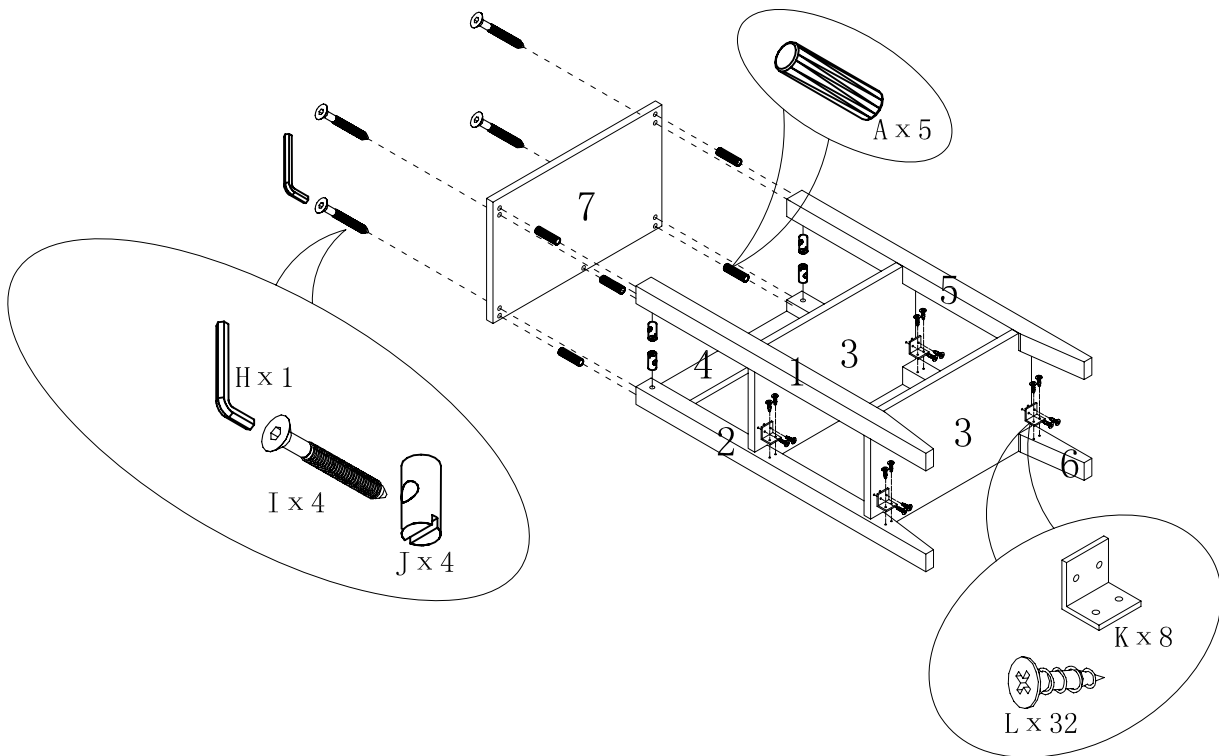
A		ø8x25	13PCS
B		ø4x40	8PCS
C		L=29	14PCS
D		ø15	14PCS
E			40PCS
F		ø5	4PCS
G		ø18	4PCS
H		ø4	1PC
I		ø6x55	4PCS
J		M6	4PCS
K			8PCS
L		ø3. 5x12	32PCS
M			1PC
N		ø4x25	1PC
O		ø5x40	1PC
P			1PC
Q		L250	2pcs
R		ø4x16	6pcs
S		It's used for stick the stopper to the connecting hole firmly	1PC

# ASSEMBLY INSTRUCTION

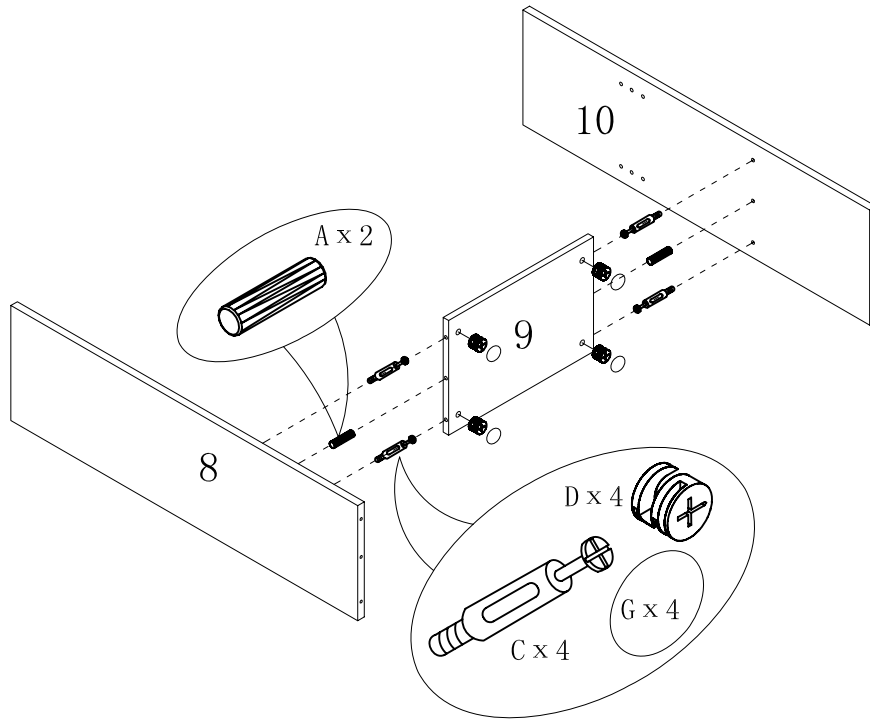


STEP 1

STEP 2

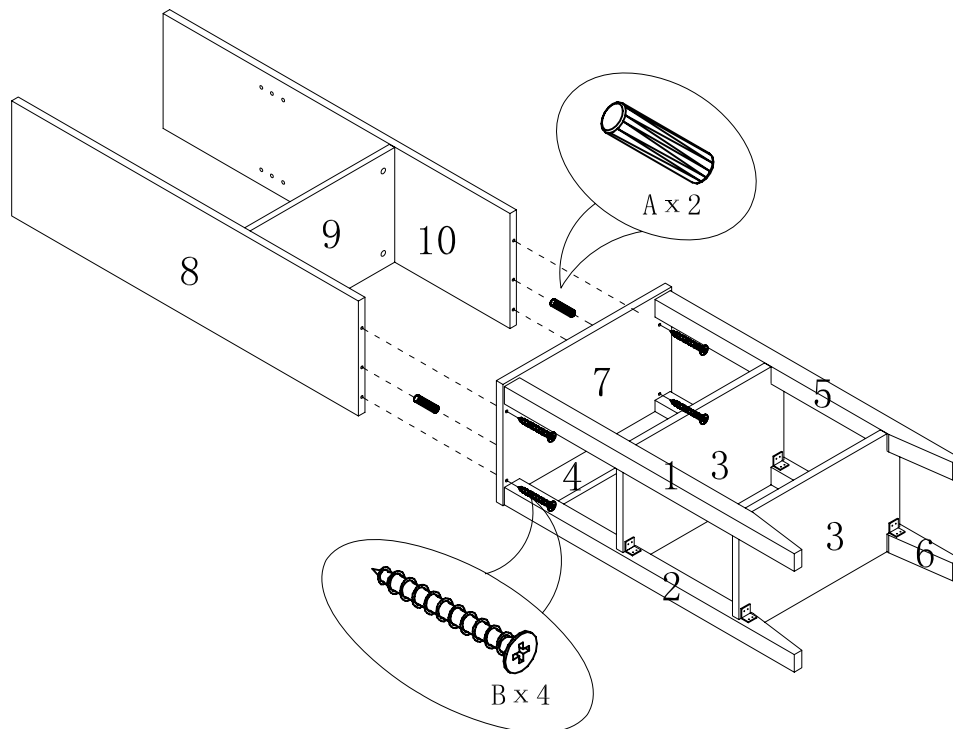


# ASSEMBLY INSTRUCTION

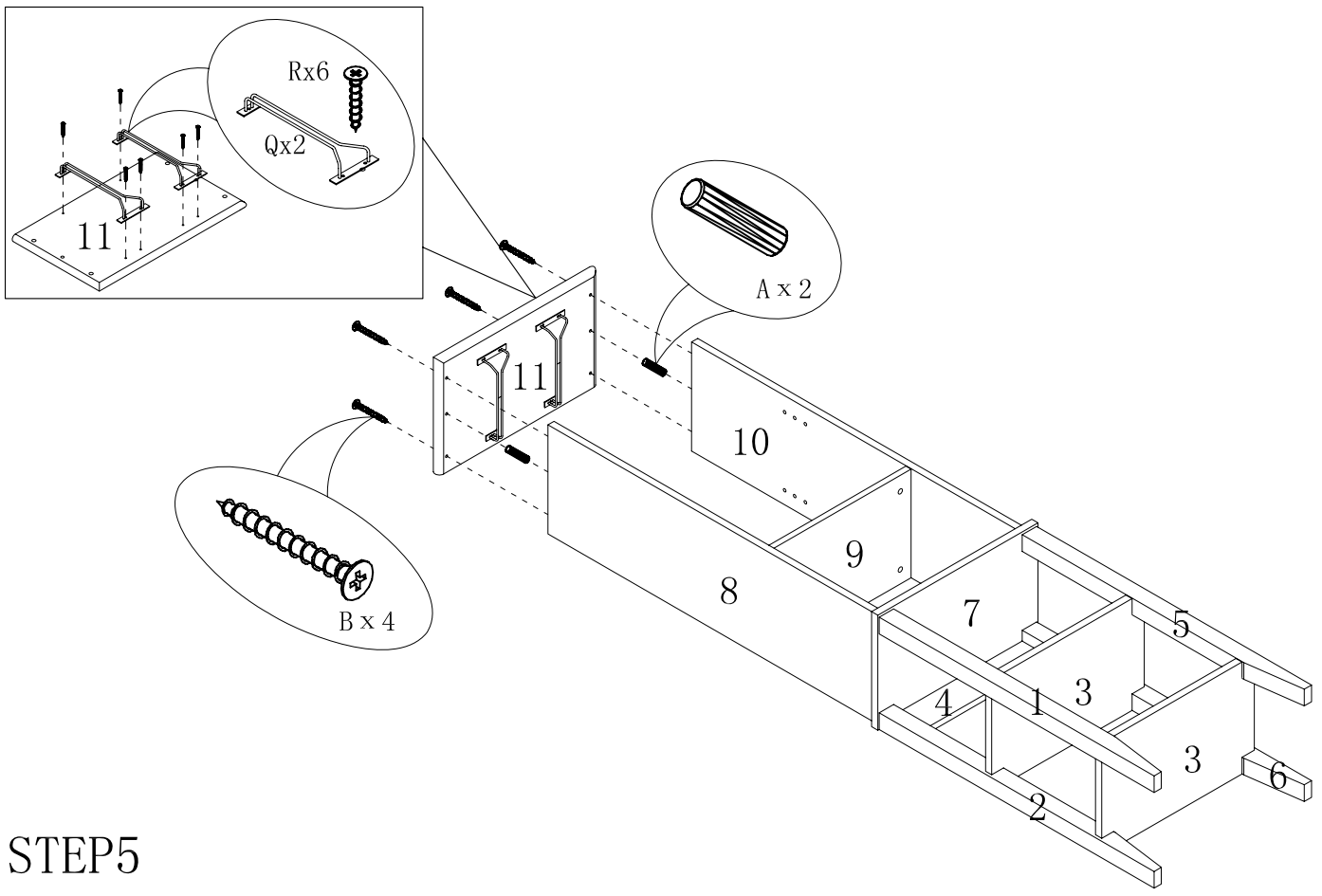


STEP3

STEP4

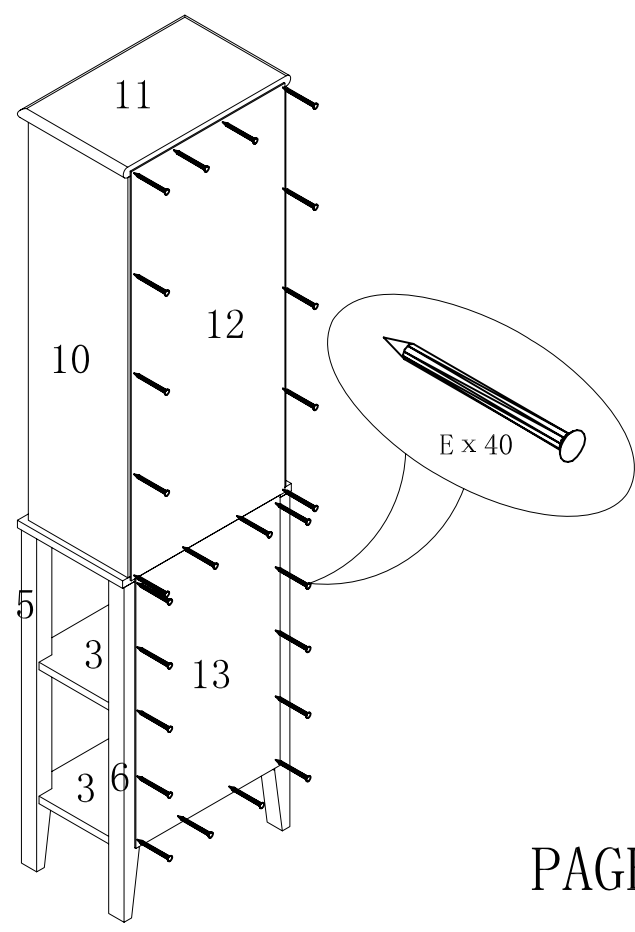


# ASSEMBLY INSTRUCTION

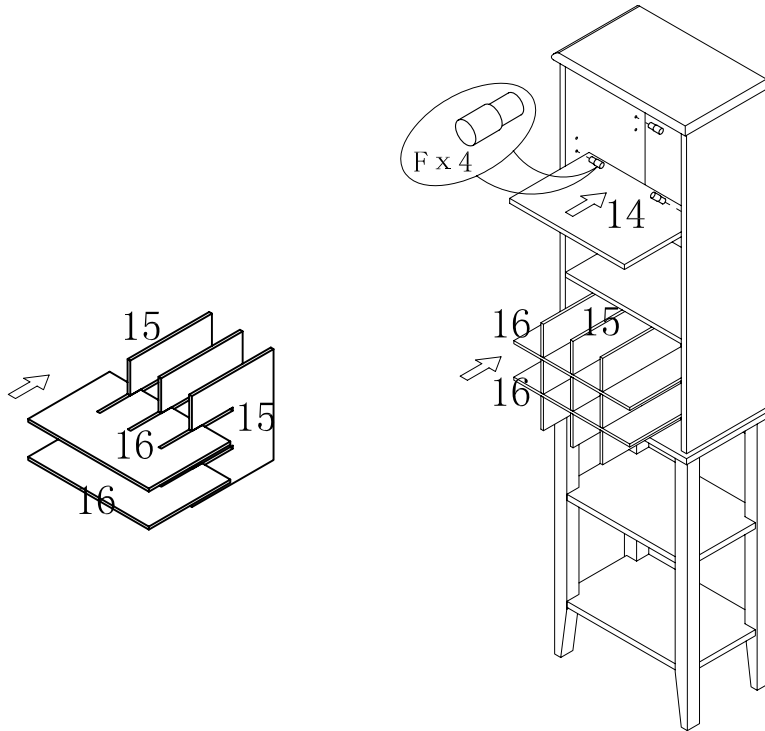


STEP5

STEP6



# ASSEMBLY INSTRUCTION



STEP7

STEP8

