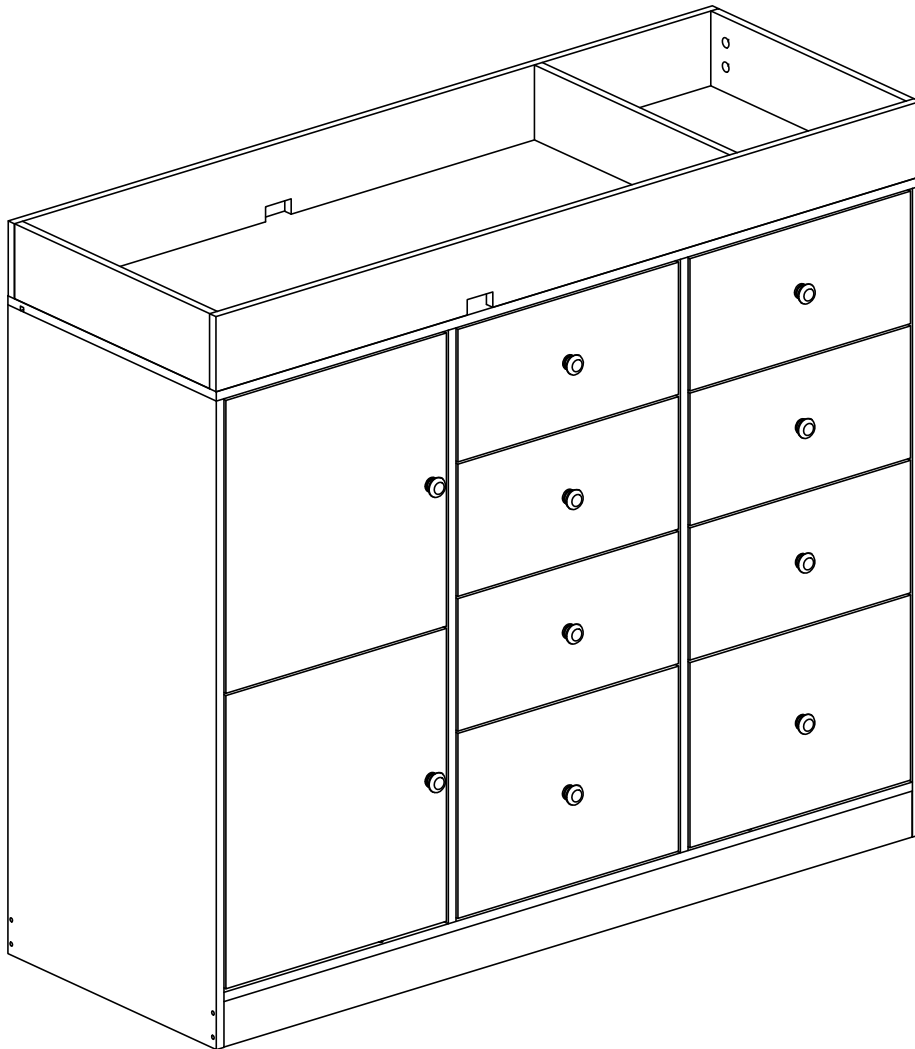


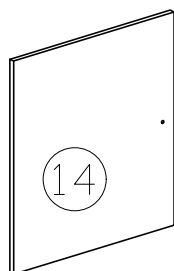
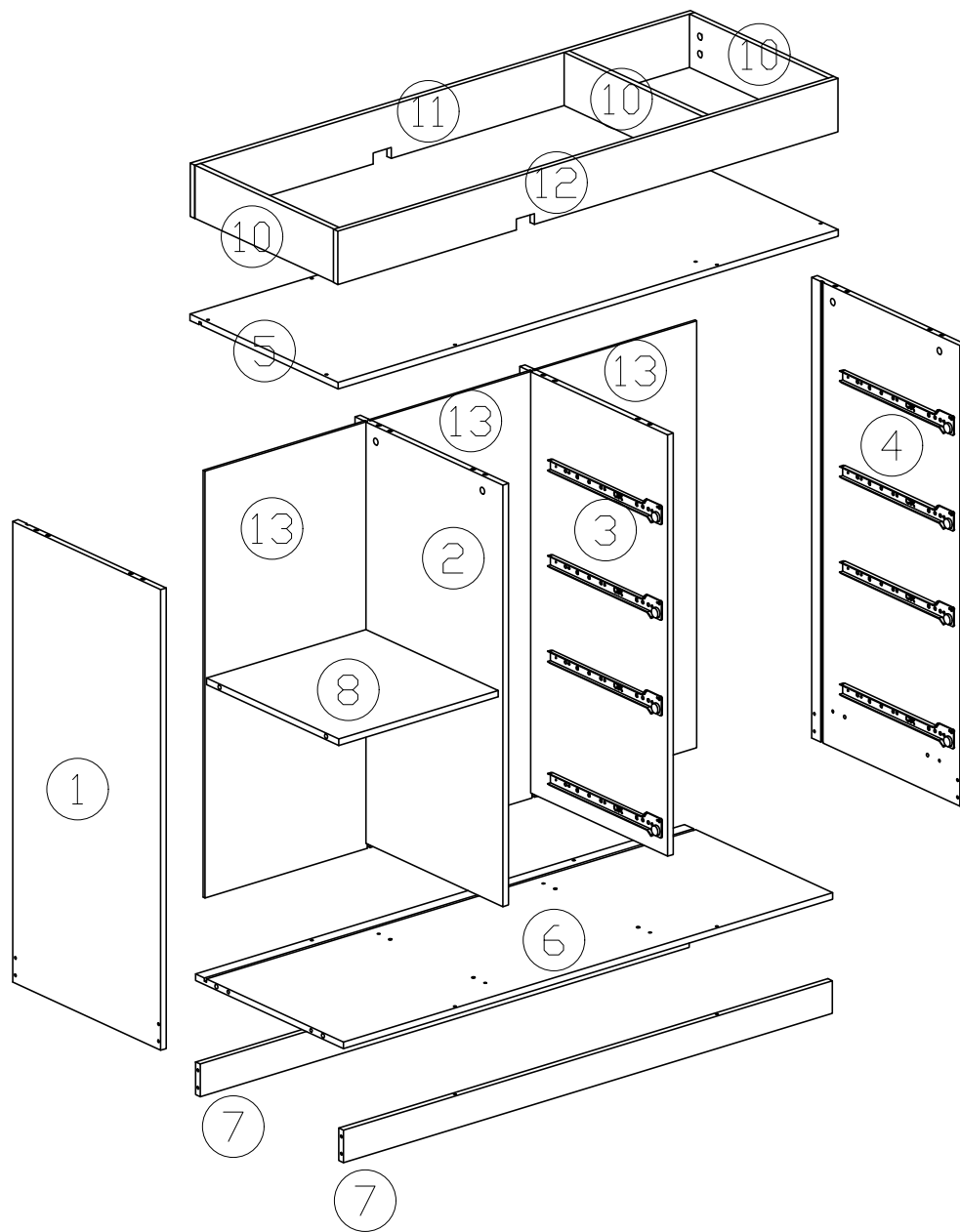
Assembling Instruction

P1

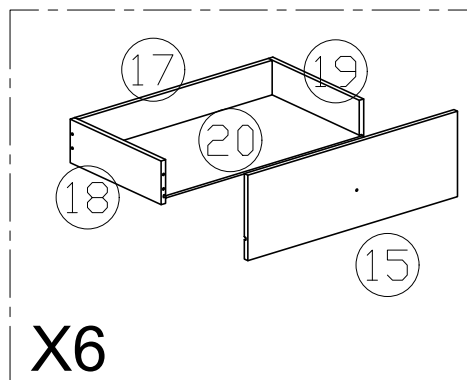
NOTE: Please contact us in time If you find any accessories missing or damaged in the package, we will send you the corresponding accessories for free.

Email: Please send email with your order number to service@futuristhomekit.com.

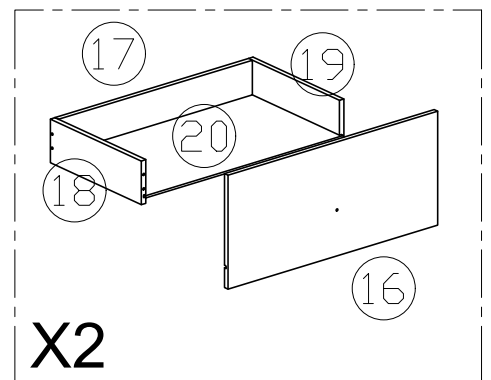




X2



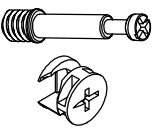




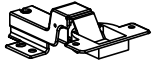

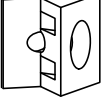

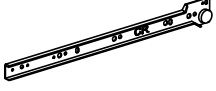
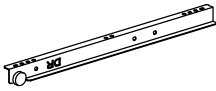
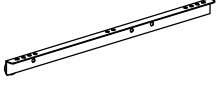
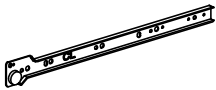
X6



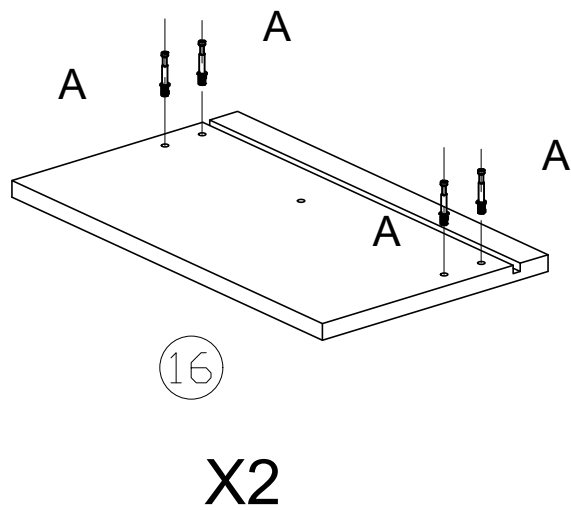
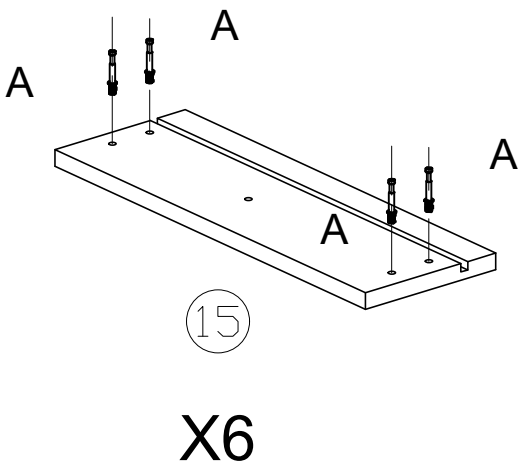
X2

Assembling Instruction

P3

| | | | |
|--|--|---|--|
| A  58PCS | B  M4*30 60PCS | C  M4*12 76PCS | D  Ø6*30 16PCS |
| E  10PCS | F  4PCS | G  M4*14 24PCS | H  12PCS |
| J  M4*16 10PCS | | | |
| CR  8PCS | DR  8PCS | DL  8PCS | CL  8PCS |

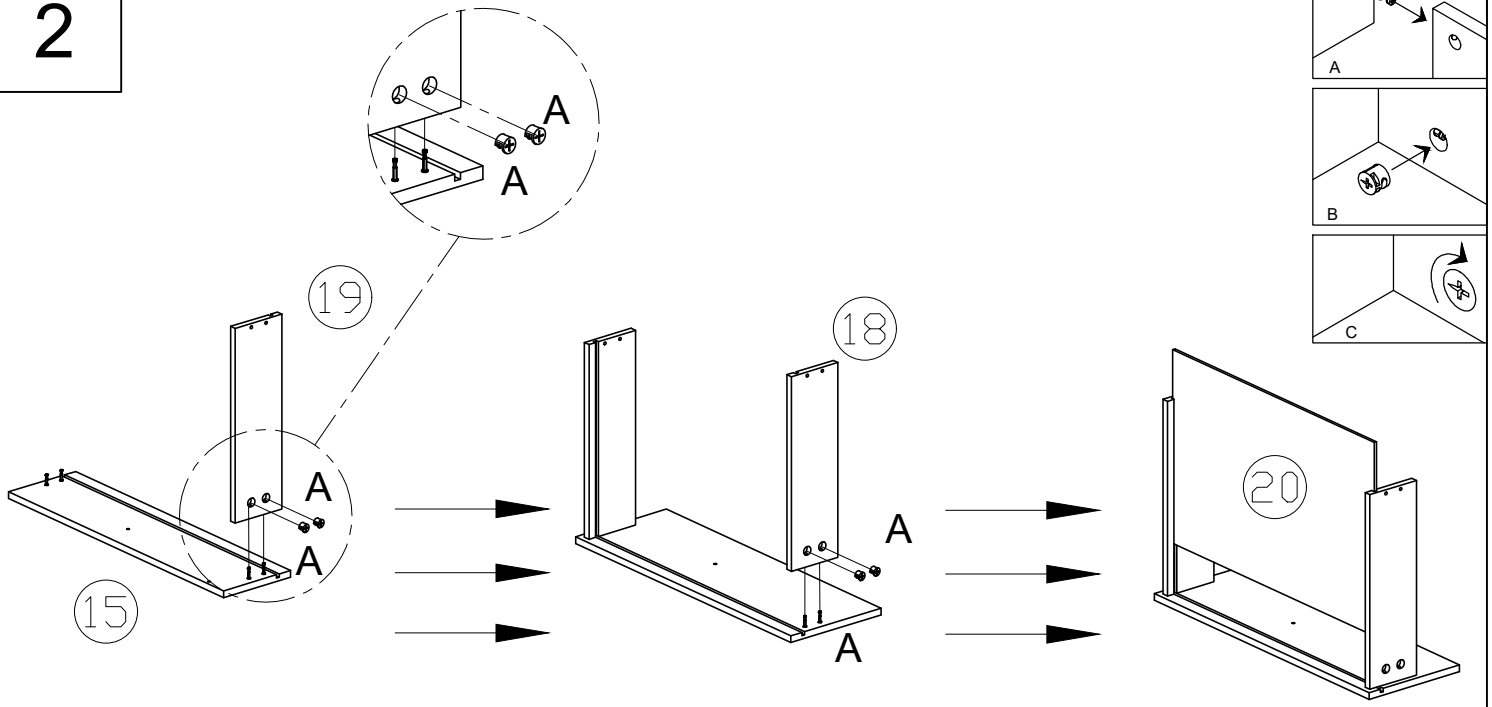
1



Assembling Instruction

P4

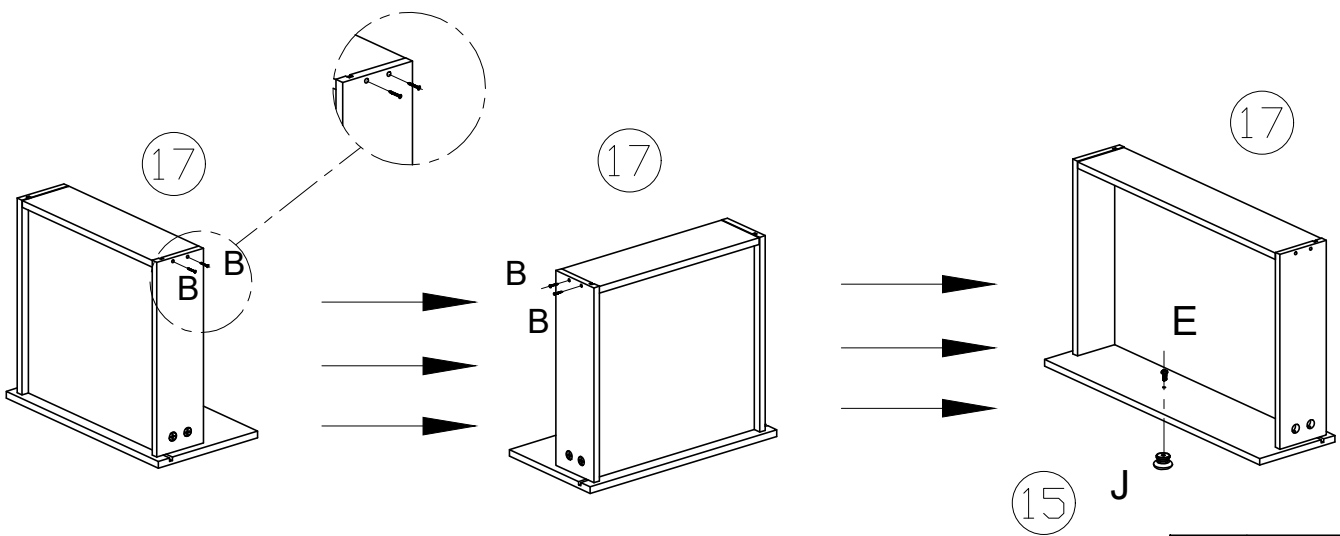
2



X6

| | | |
|---|--|----|
| A | | 24 |
|---|--|----|

3



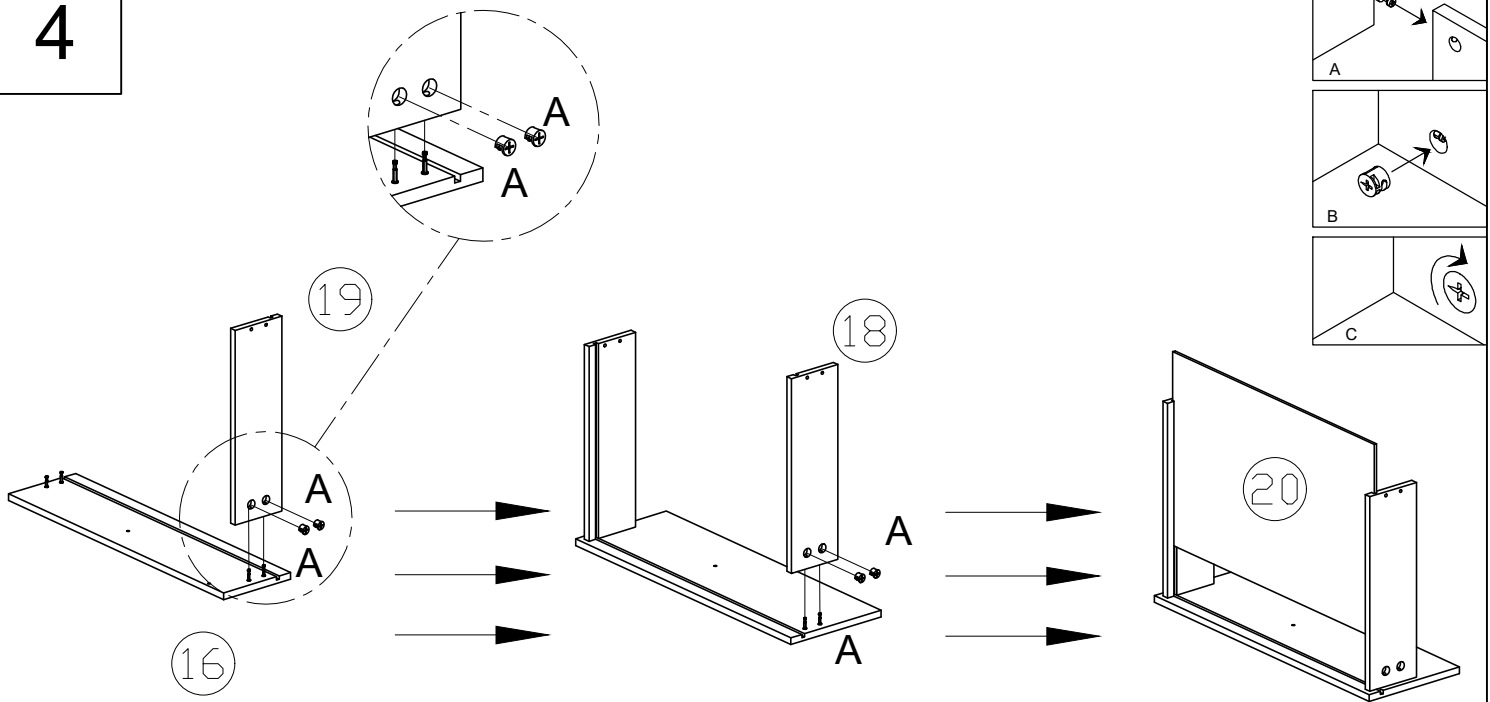
X6

| | | |
|---|--|----|
| E | | 6 |
| J | | 6 |
| B | | 24 |

Assembling Instruction

P5

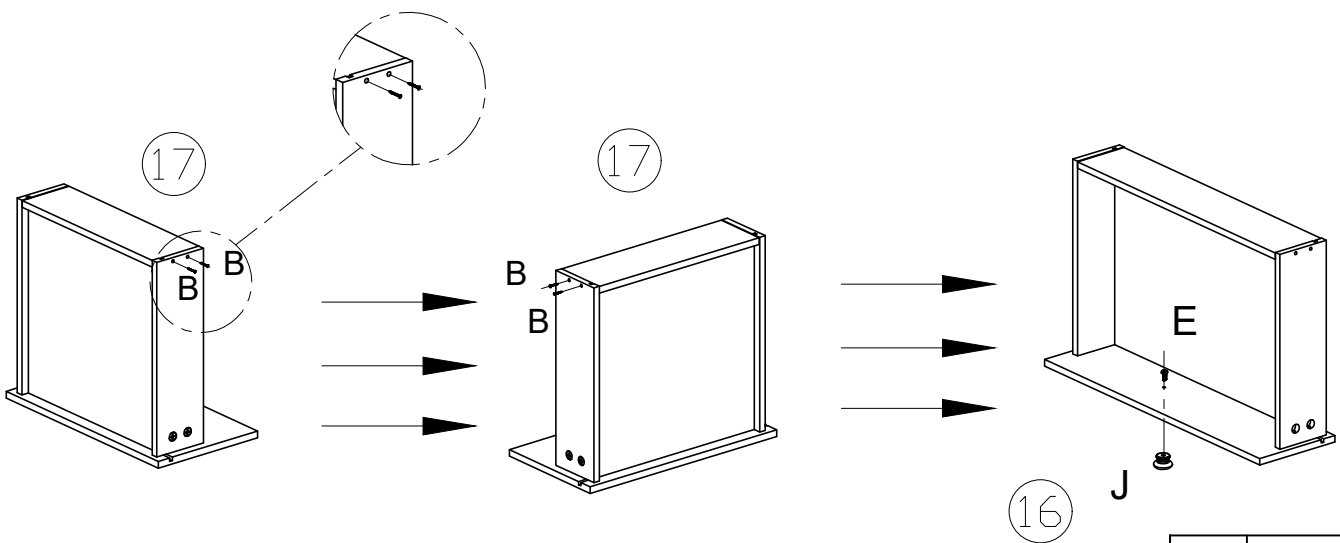
4



X2

| | | |
|---|--|---|
| A | | 8 |
|---|--|---|

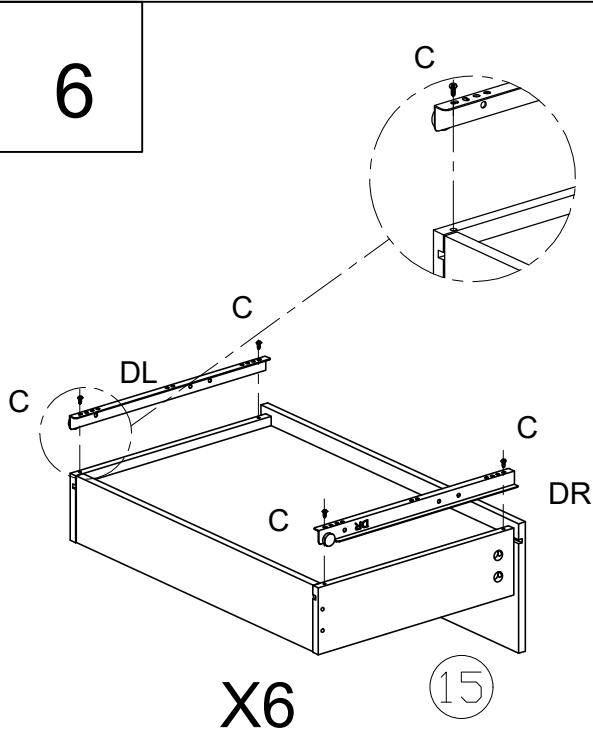
5



X2

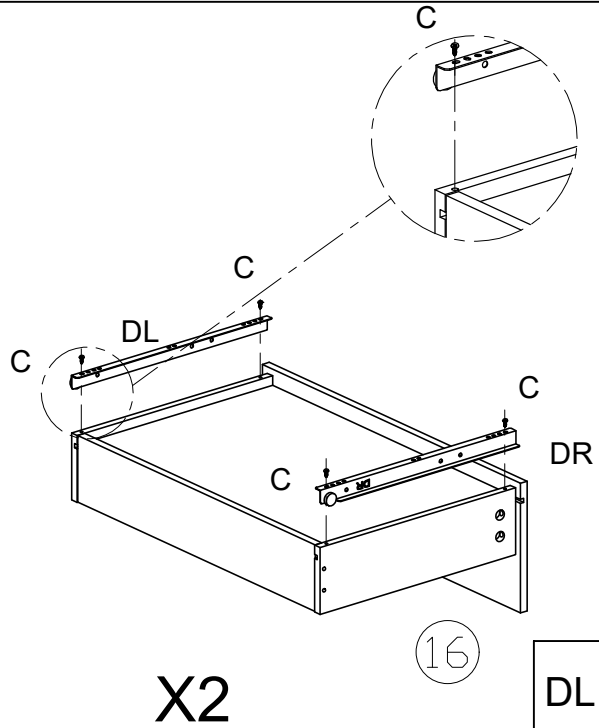
| | | |
|---|--|---|
| E | | 2 |
| J | | 2 |
| B | | 8 |

6






X6

15

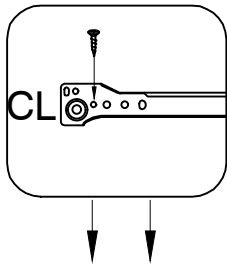


X2

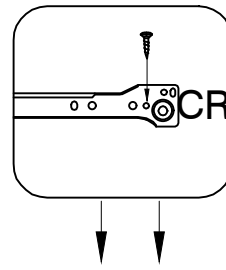
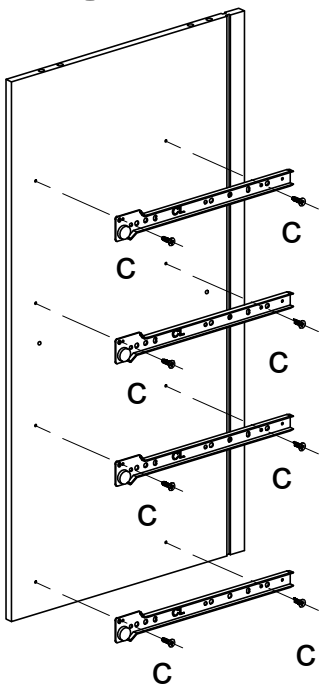
16

| | | |
|----|---|----|
| DL |  | 8 |
| DR |  | 8 |
| C |  | 32 |

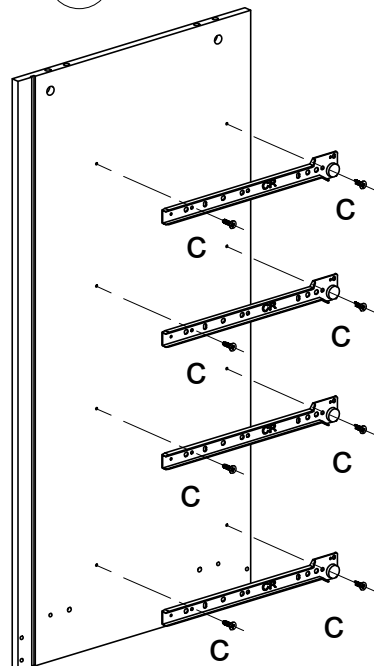
7






2

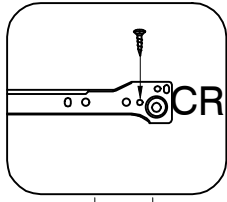


4

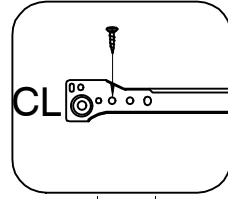
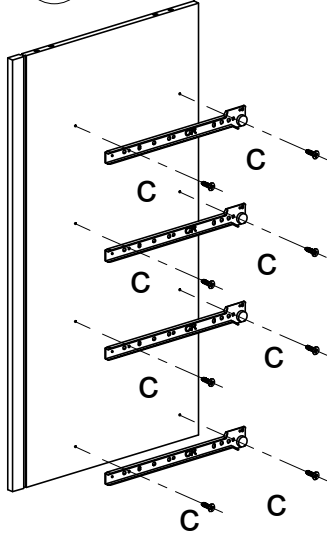


| | | |
|----|---|----|
| CR |  | 4 |
| CL |  | 4 |
| c |  | 16 |

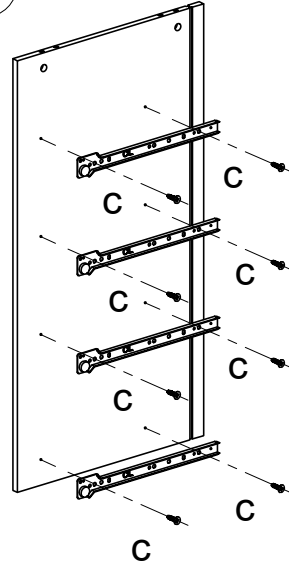
8



3

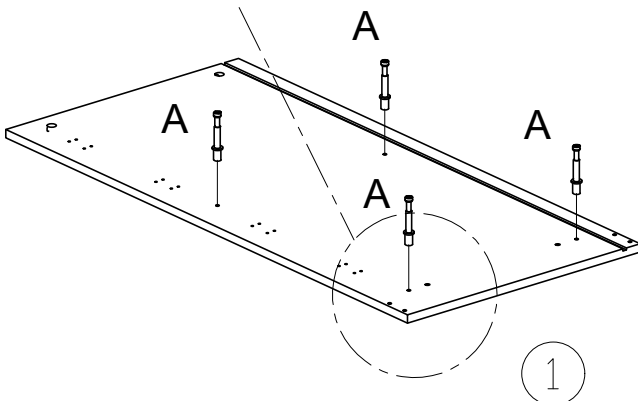
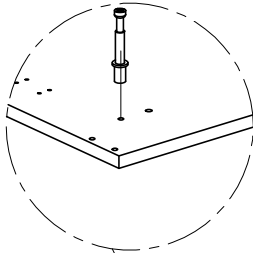


3

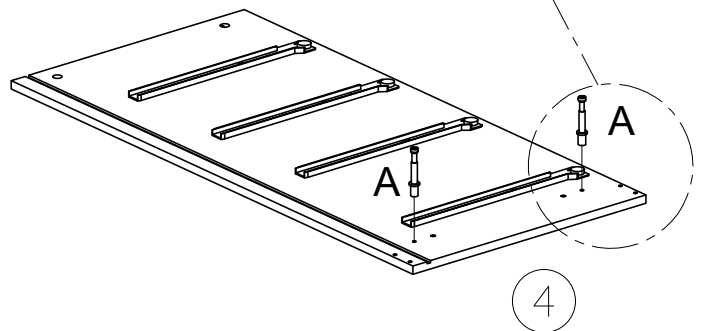
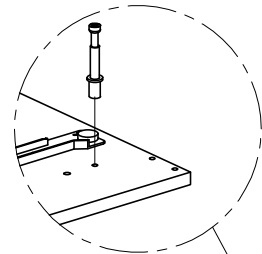


| | | |
|----|--|----|
| CR | | 4 |
| CL | | 4 |
| c | | 16 |

9



1

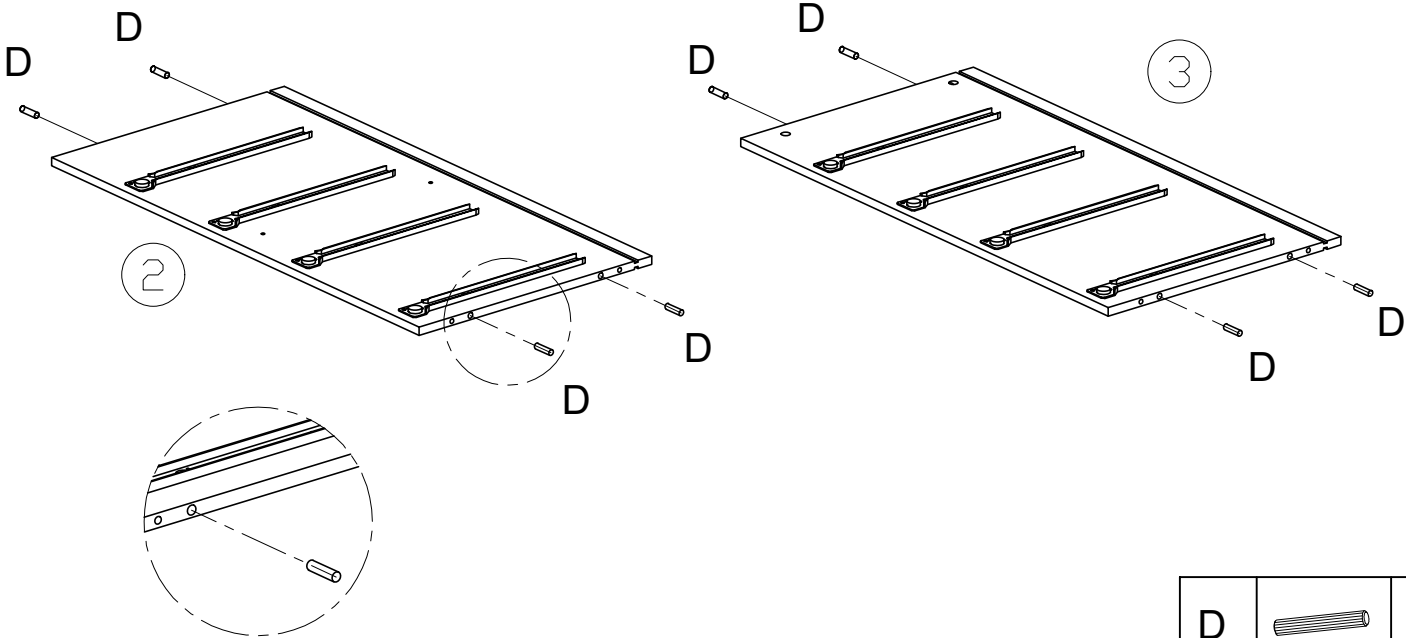


4

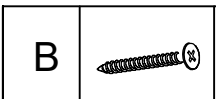
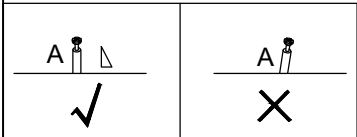
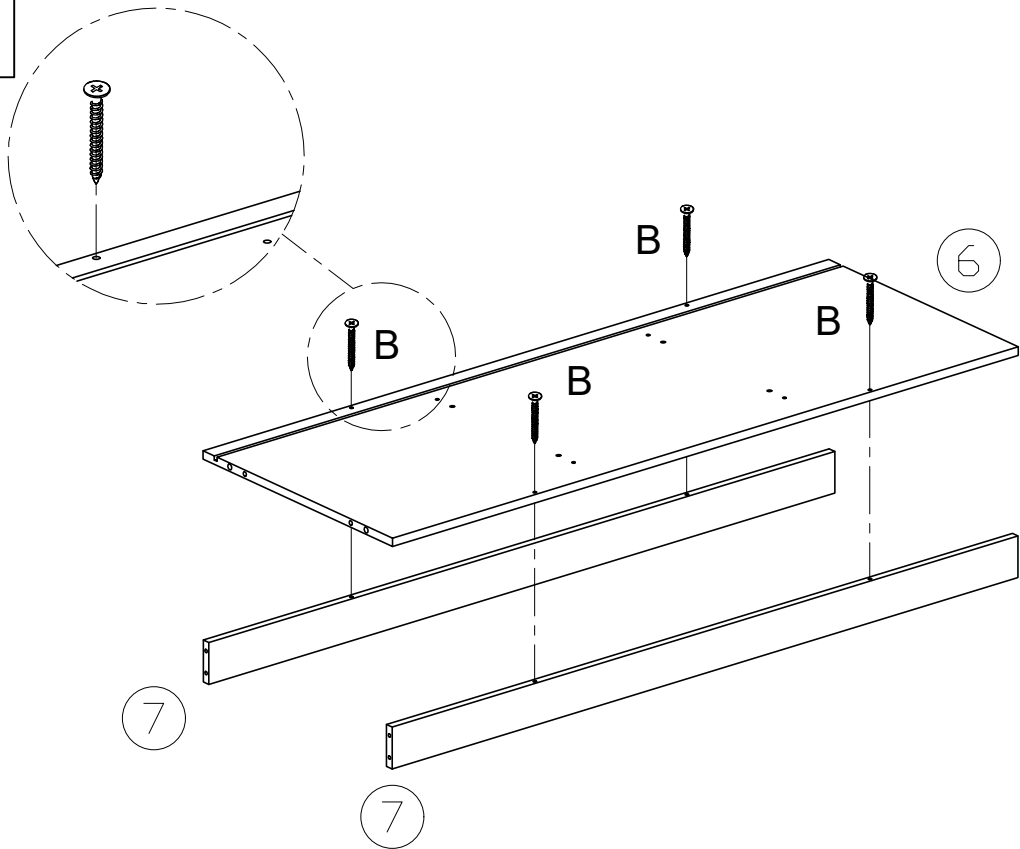
| | |
|---|---|
| | |
| ✓ | ✗ |

| | | |
|---|--|---|
| A | | 6 |
|---|--|---|

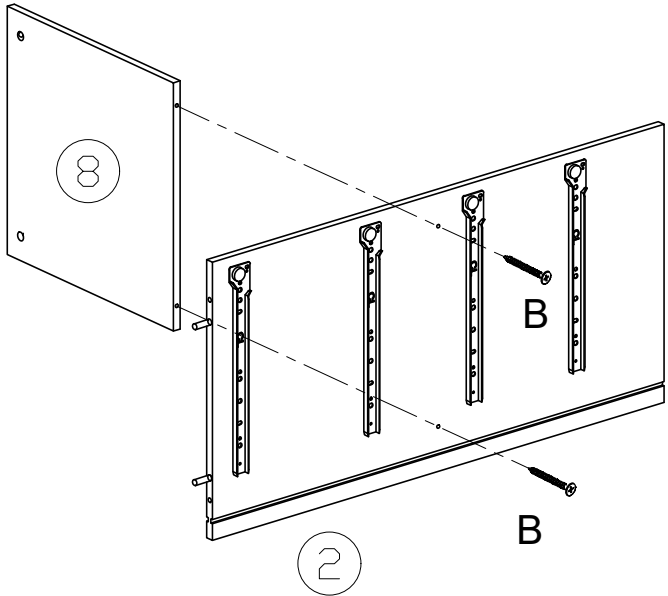
10




11

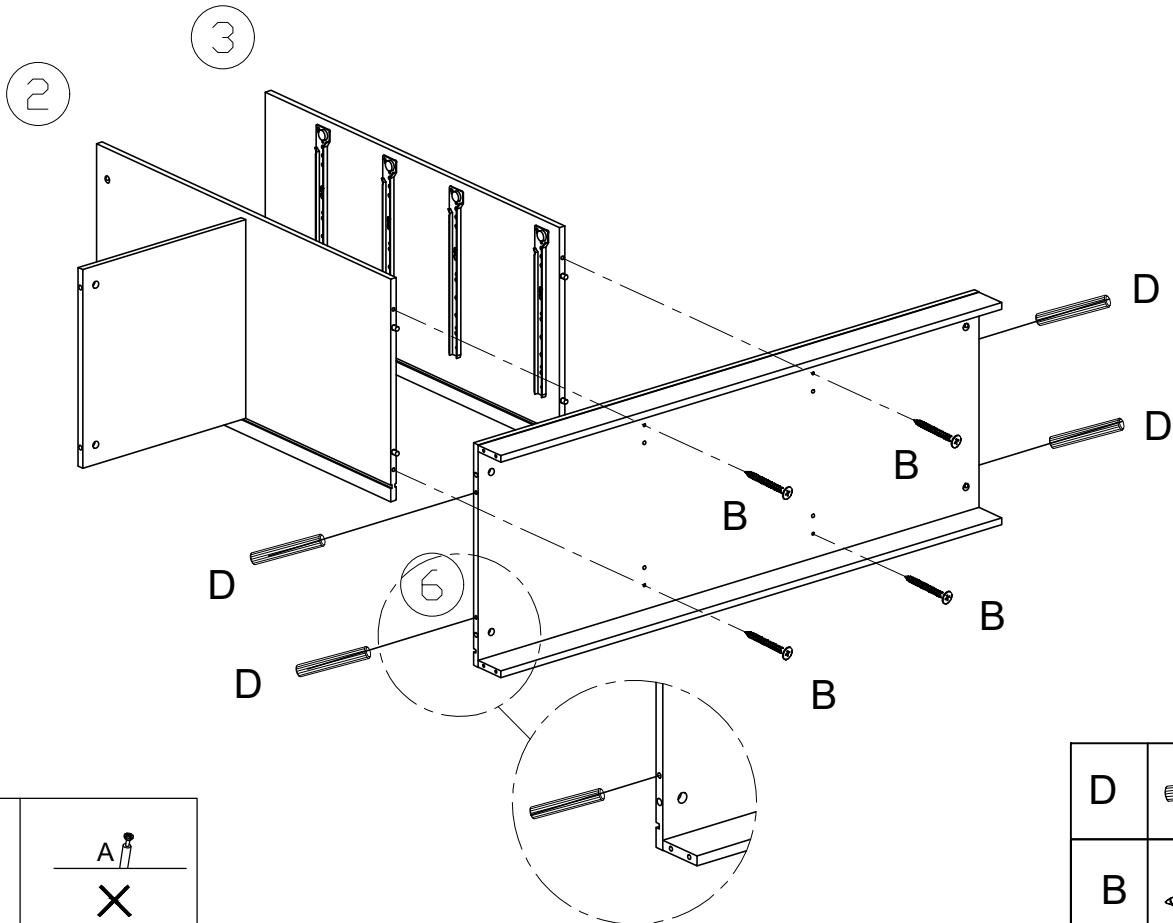




12





| | | |
|---|---|---|
| B |  | 2 |
|---|---|---|

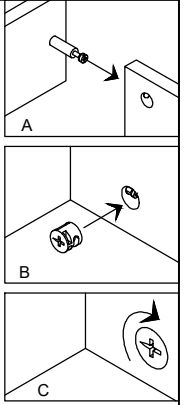
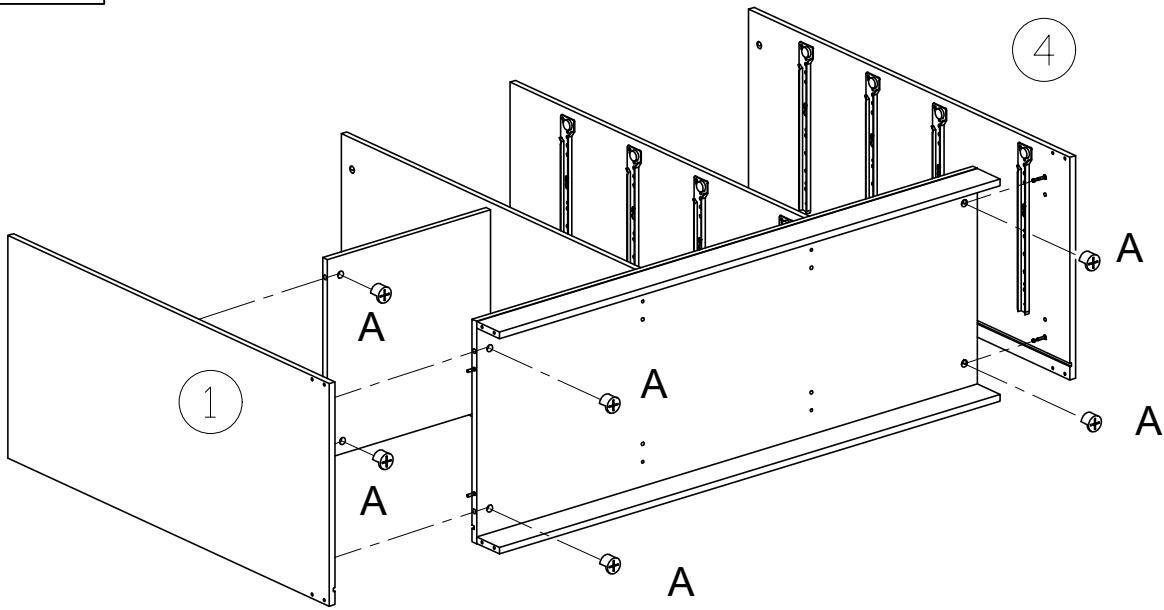
13



| | | |
|---|---|---|
| D |  | 4 |
| B |  | 4 |

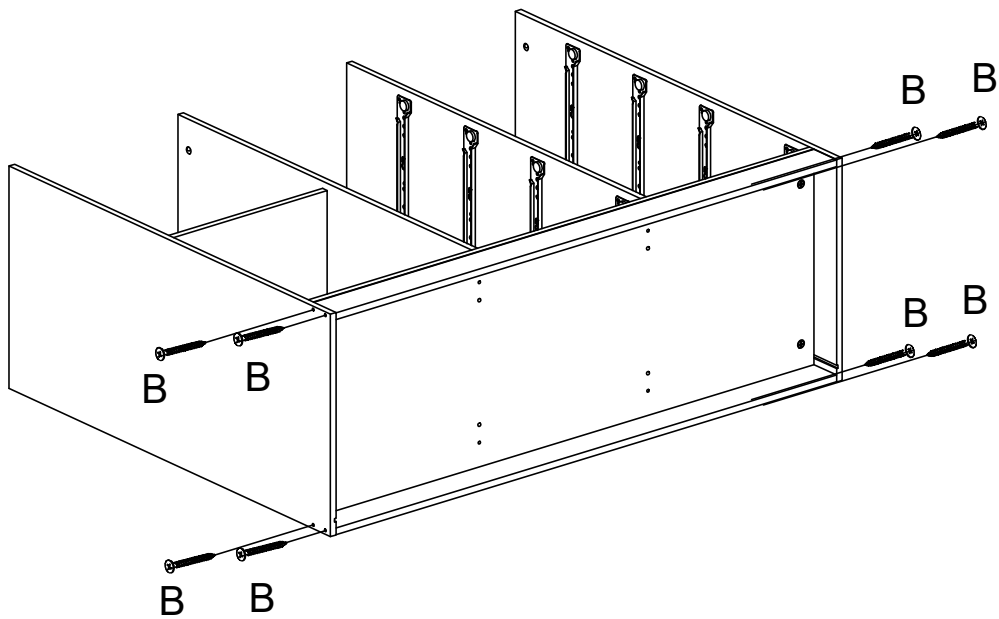
| | |
|--|---|
|  |  |
| ✓ | ✗ |

14



| | | |
|---|--|---|
| A | | 6 |
|---|--|---|

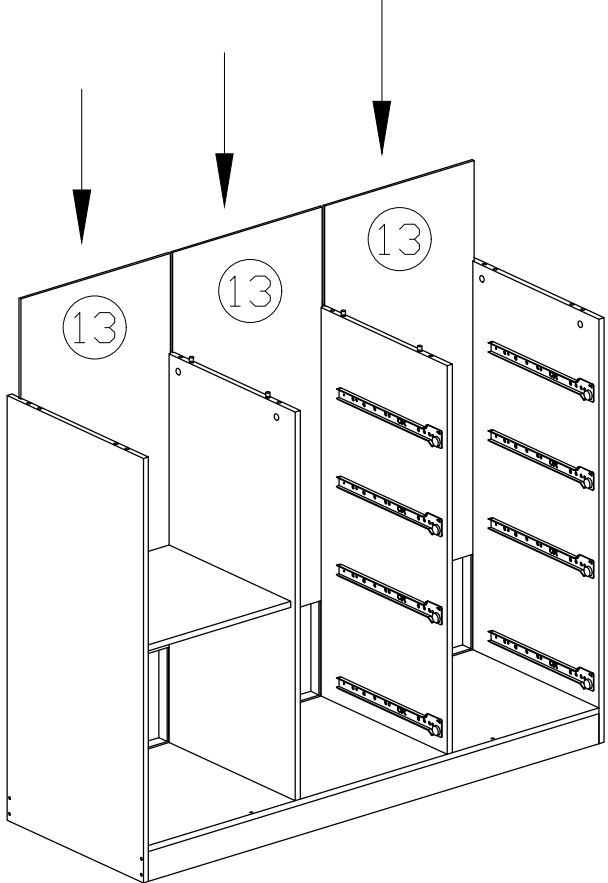
15



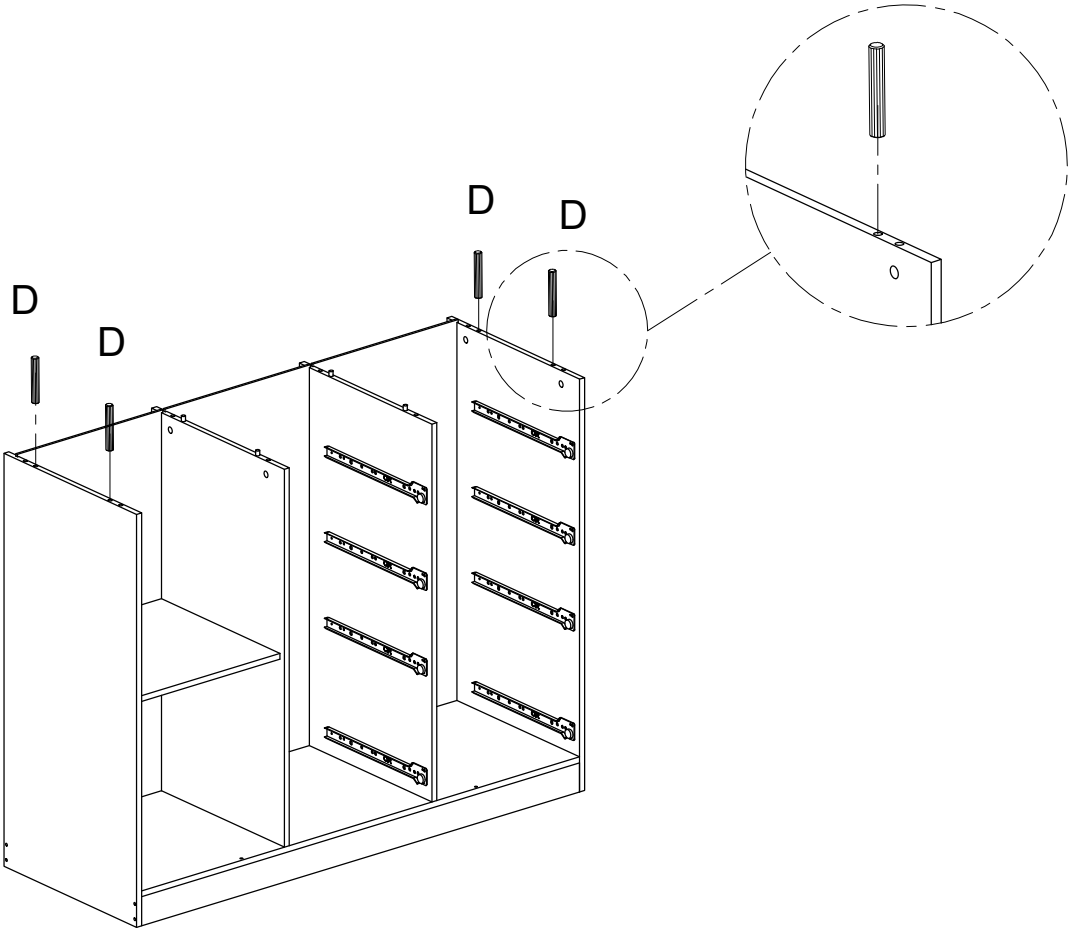
| | |
|---|---|
| | |
| ✓ | ✗ |


| | | |
|---|--|---|
| B | | 8 |
|---|--|---|

16

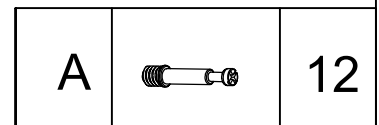
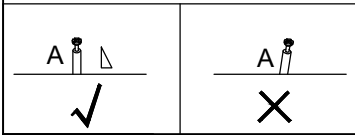
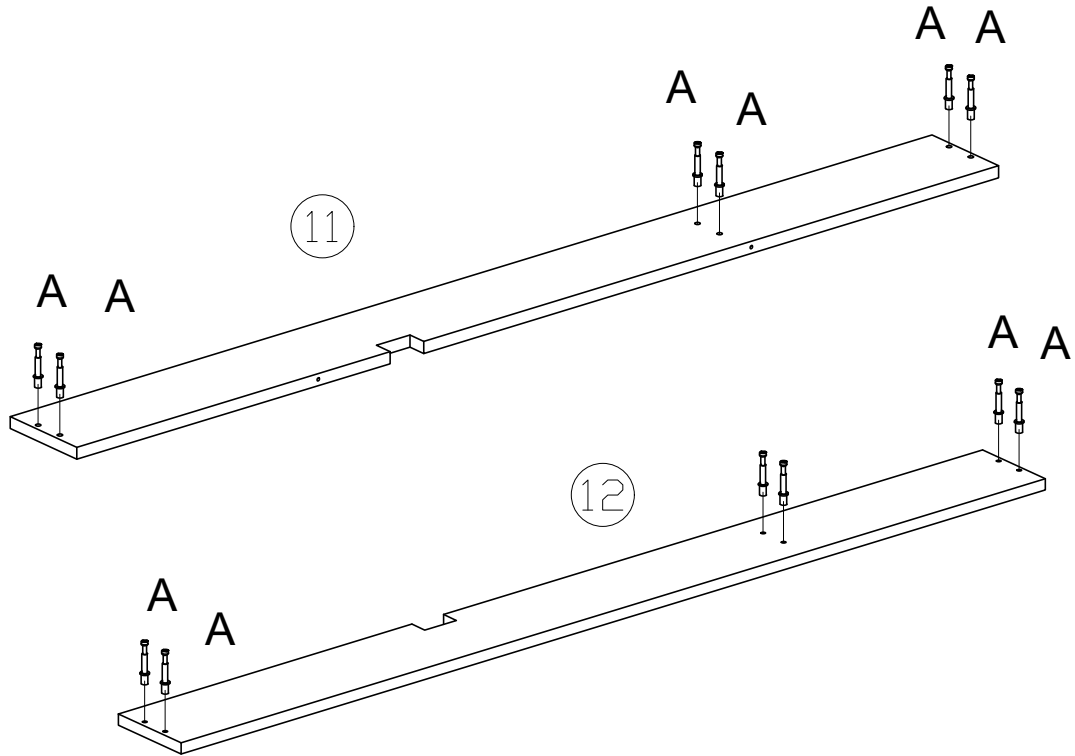


17

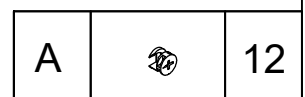
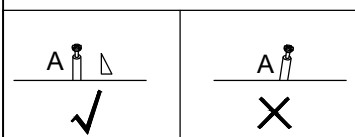
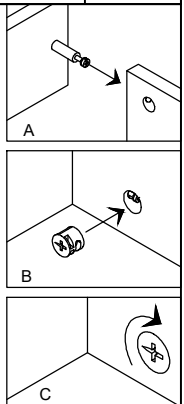
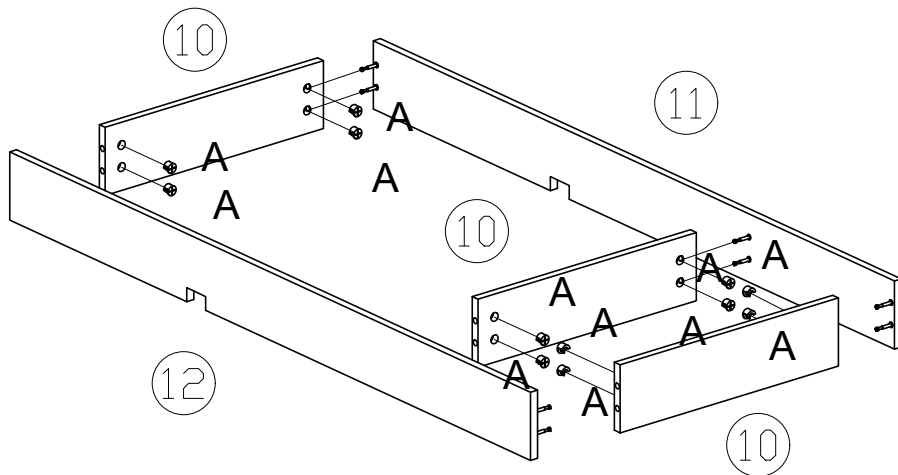


| | | |
|---|---|---|
| D |  | 4 |
|---|---|---|

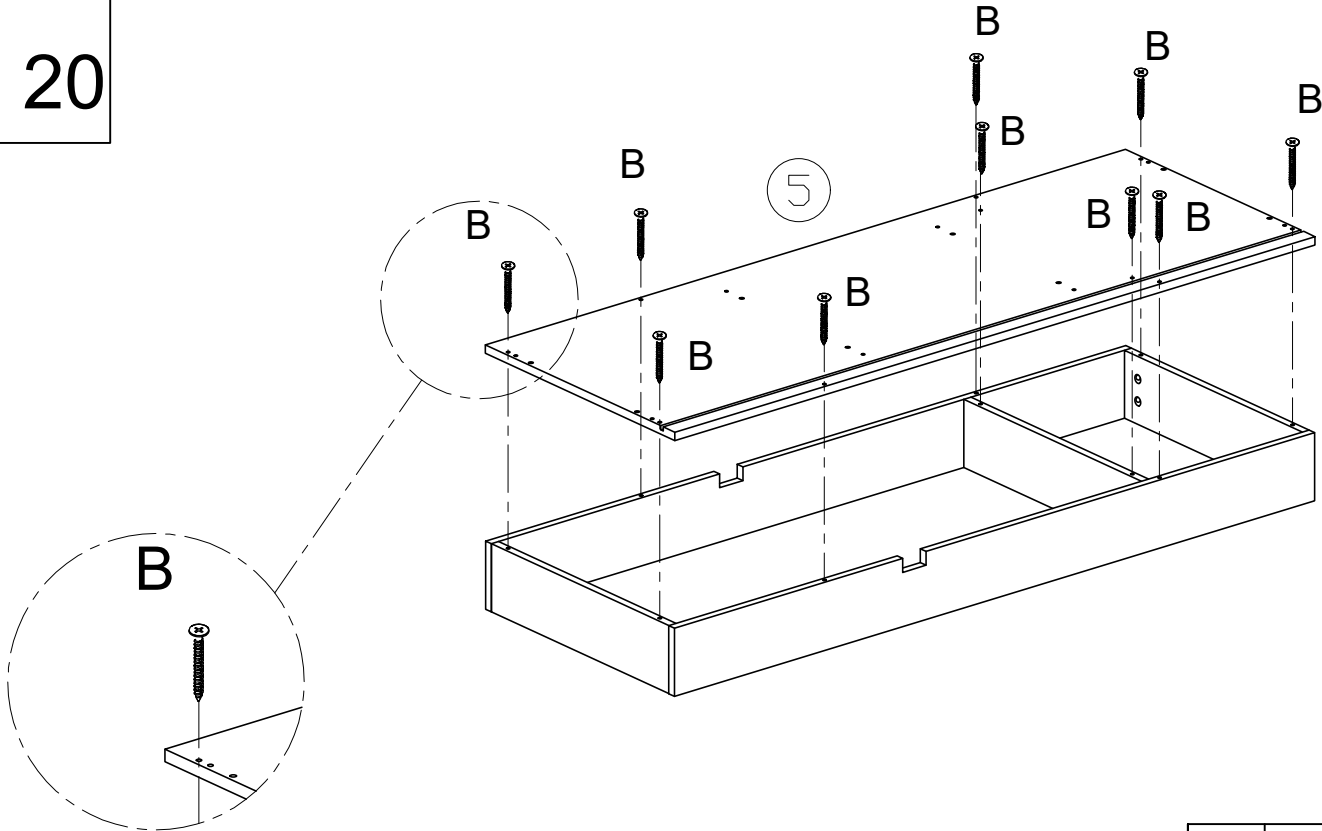
18




19

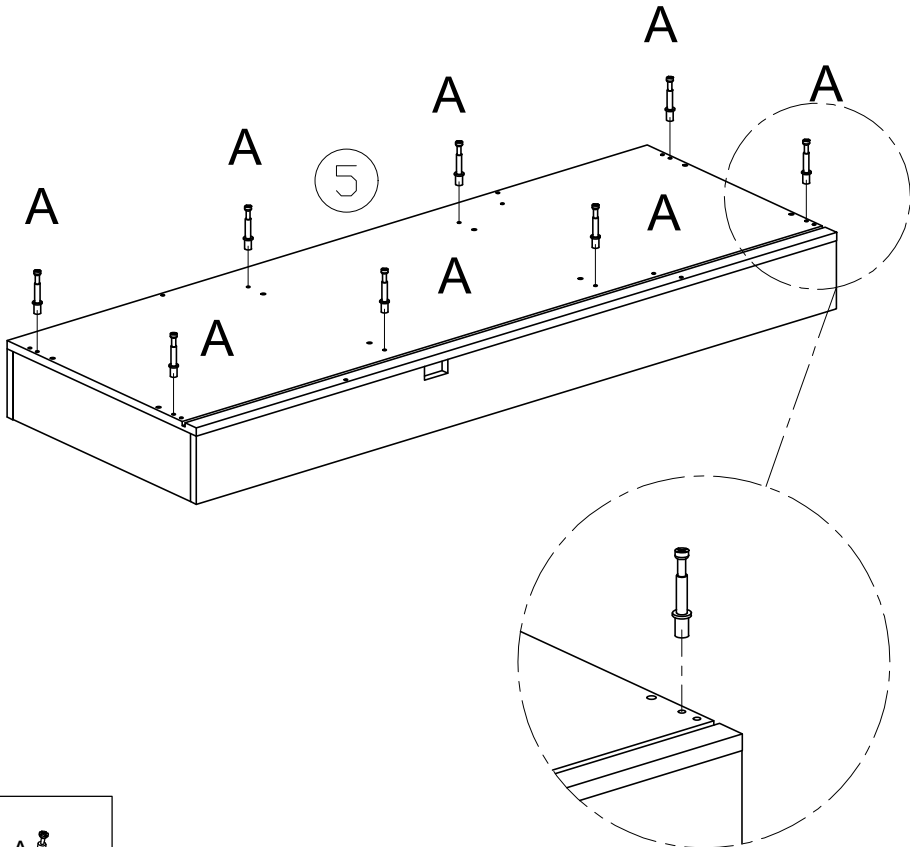




20




| | | |
|---|---|----|
| B |  | 10 |
|---|---|----|

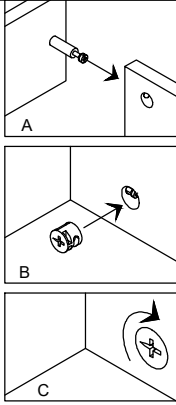
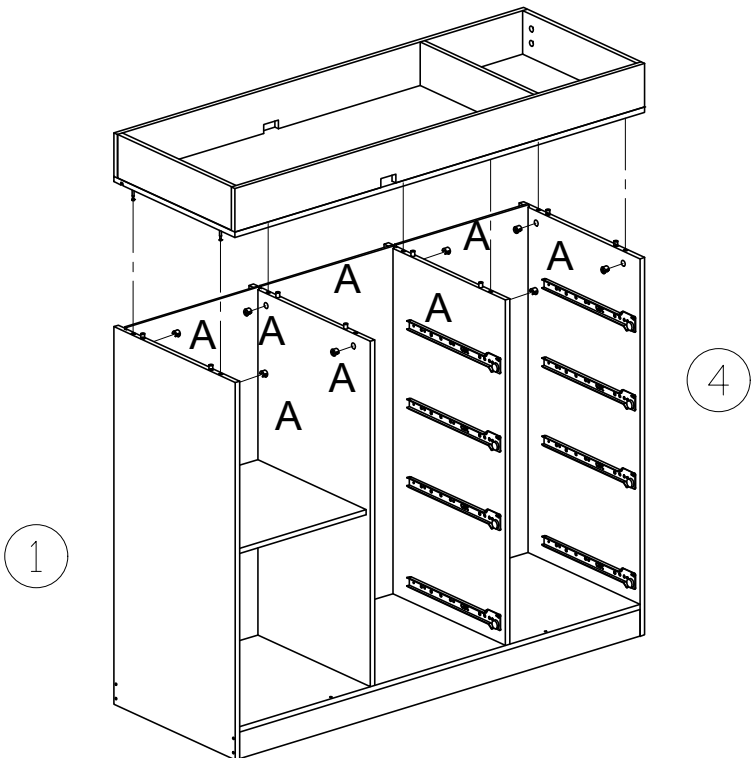
21



| | |
|--|---|
|  |  |
| ✓ | ✗ |

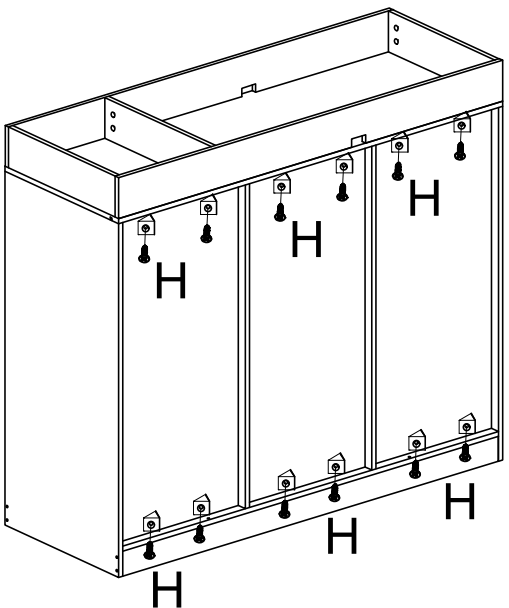
| | | |
|---|---|---|
| A |  | 8 |
|---|---|---|



22



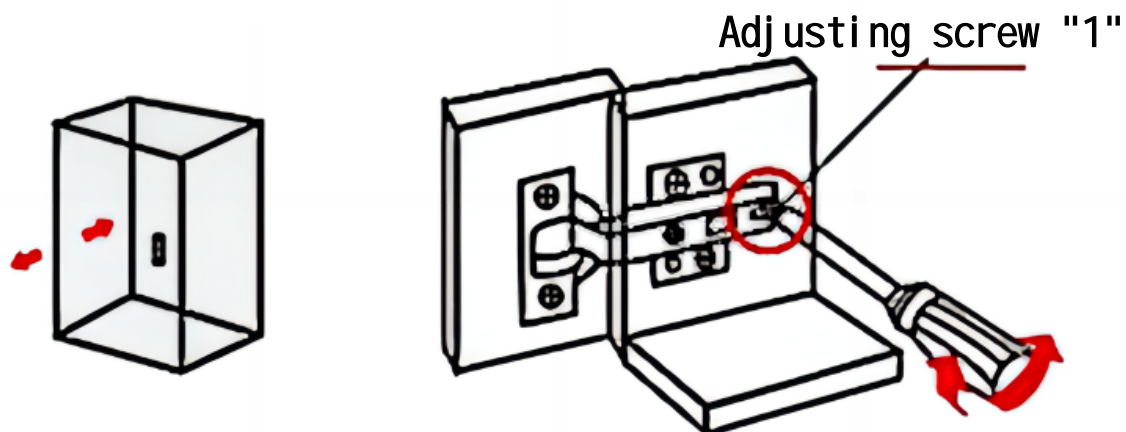
| | | |
|---|---|---|
| A |  | 8 |
|---|---|---|

23



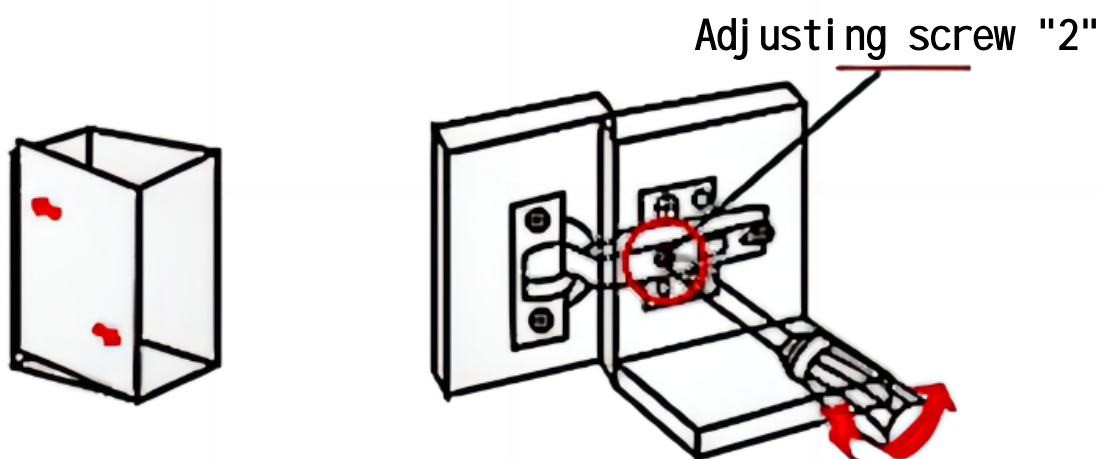
| | | |
|---|---|----|
| C |  | 12 |
| H |  | 12 |

Schematic diagram of regulating cabinet door



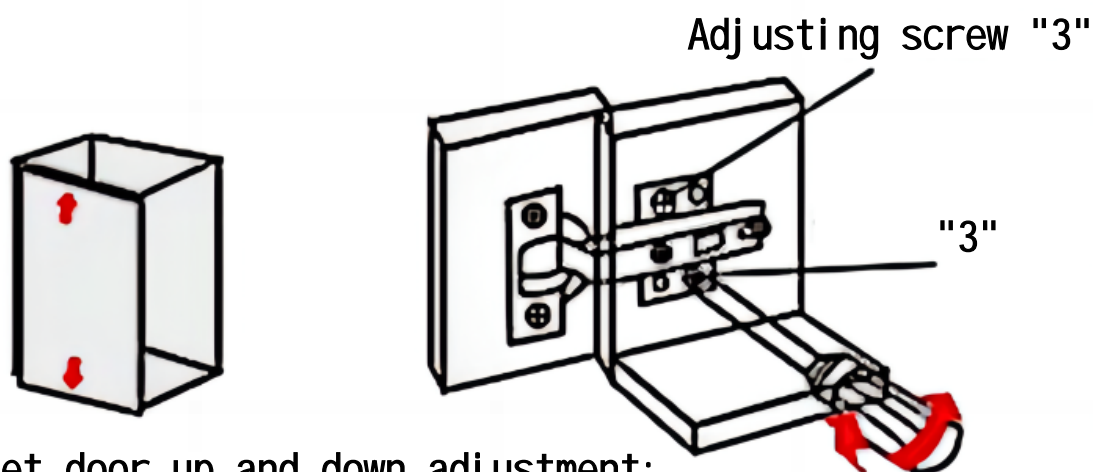
Front and rear adjustment of cabinet door:

Adjusting screw "1" can change the gap between the door panel and the cabinet body



Cabinet door left and right adjustment:

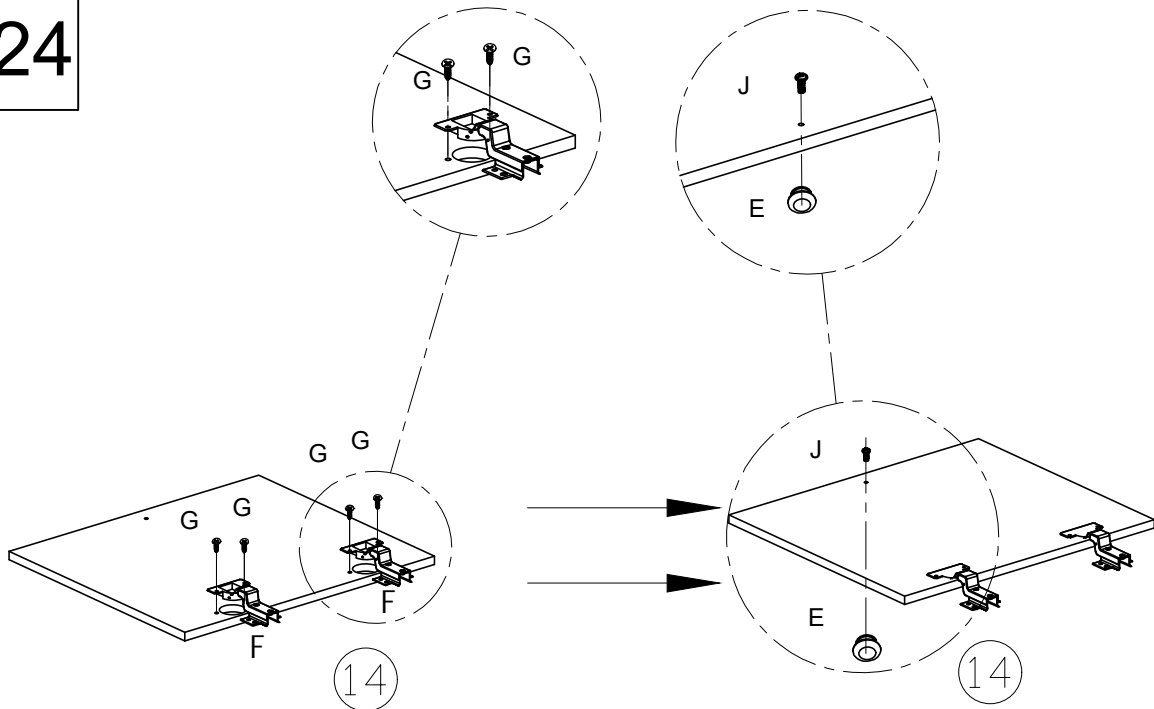
Adjusting screw "2" can change the coverage of the door panel relative to the side panel of the cabinet



Cabinet door up and down adjustment:

Adjusting screw "3" can correct the upper and lower gaps of the door panel

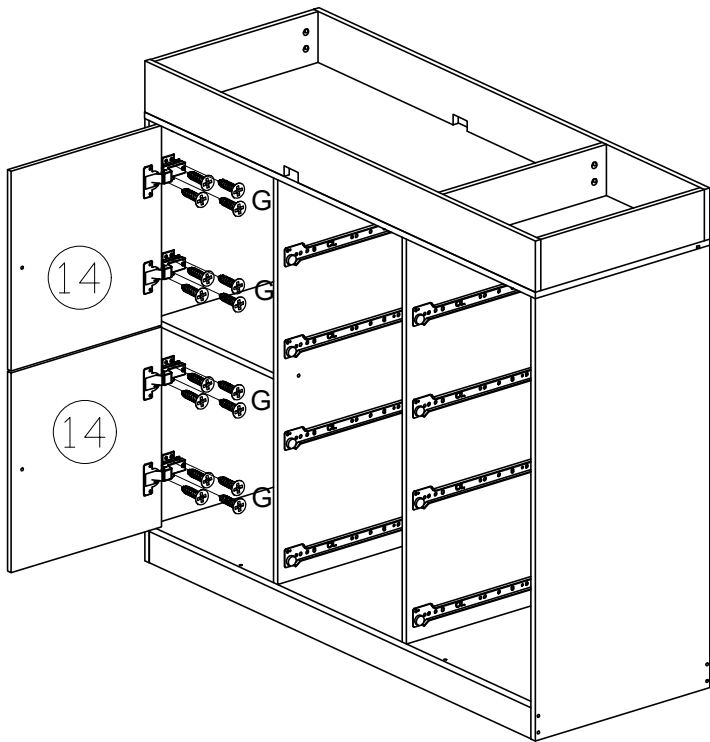
24



X2

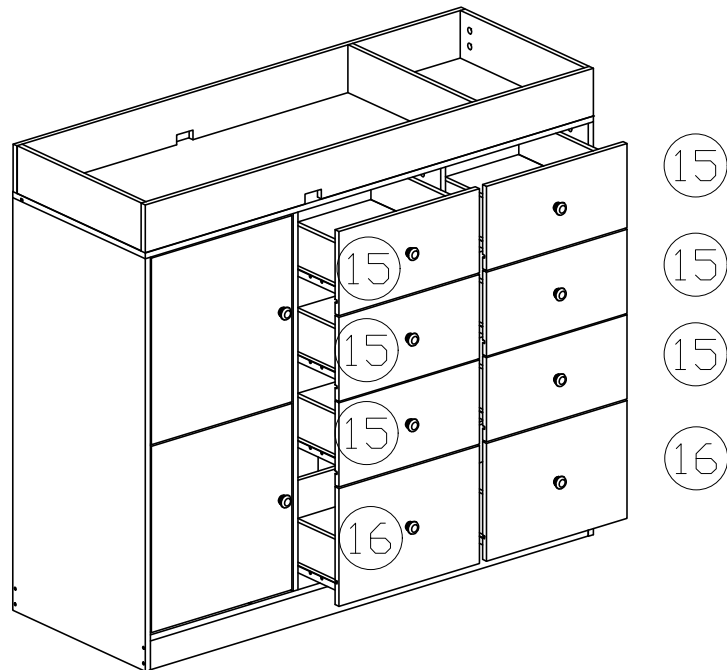
| | | |
|---|--|---|
| F | | 4 |
| E | | 2 |
| J | | 2 |
| G | | 8 |

25



| | | |
|---|--|----|
| G | | 16 |
|---|--|----|

26



27

