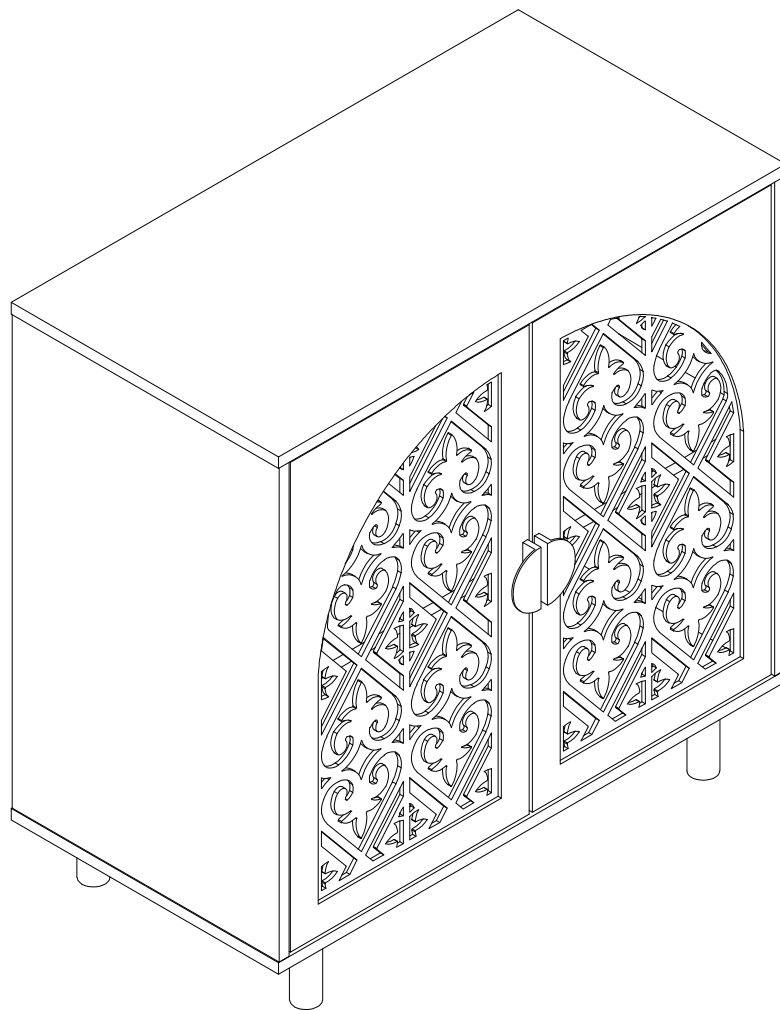


Installation Instruction



Product name

2 Door Cabinet

Ver.1.0 20250625

Friendly Reminder:

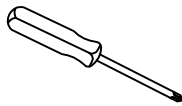
Assembling with damaged panels may affect after-sales service. Please check the integrity of all panels before assembly. If any damage is found:

- ✓ Take photos of the damaged area from multiple angles (preferably under natural light)
- ✓ Keep all packaging materials
- ✓ Do not assemble the product and contact online customer service immediately

Assembling

What you need

- Use the packaging carton as a working surface to prevent product damage during assembly
- Phillips head screwdriver



Weight Limitation



50

|

22

lbs table top

lbs per sheif

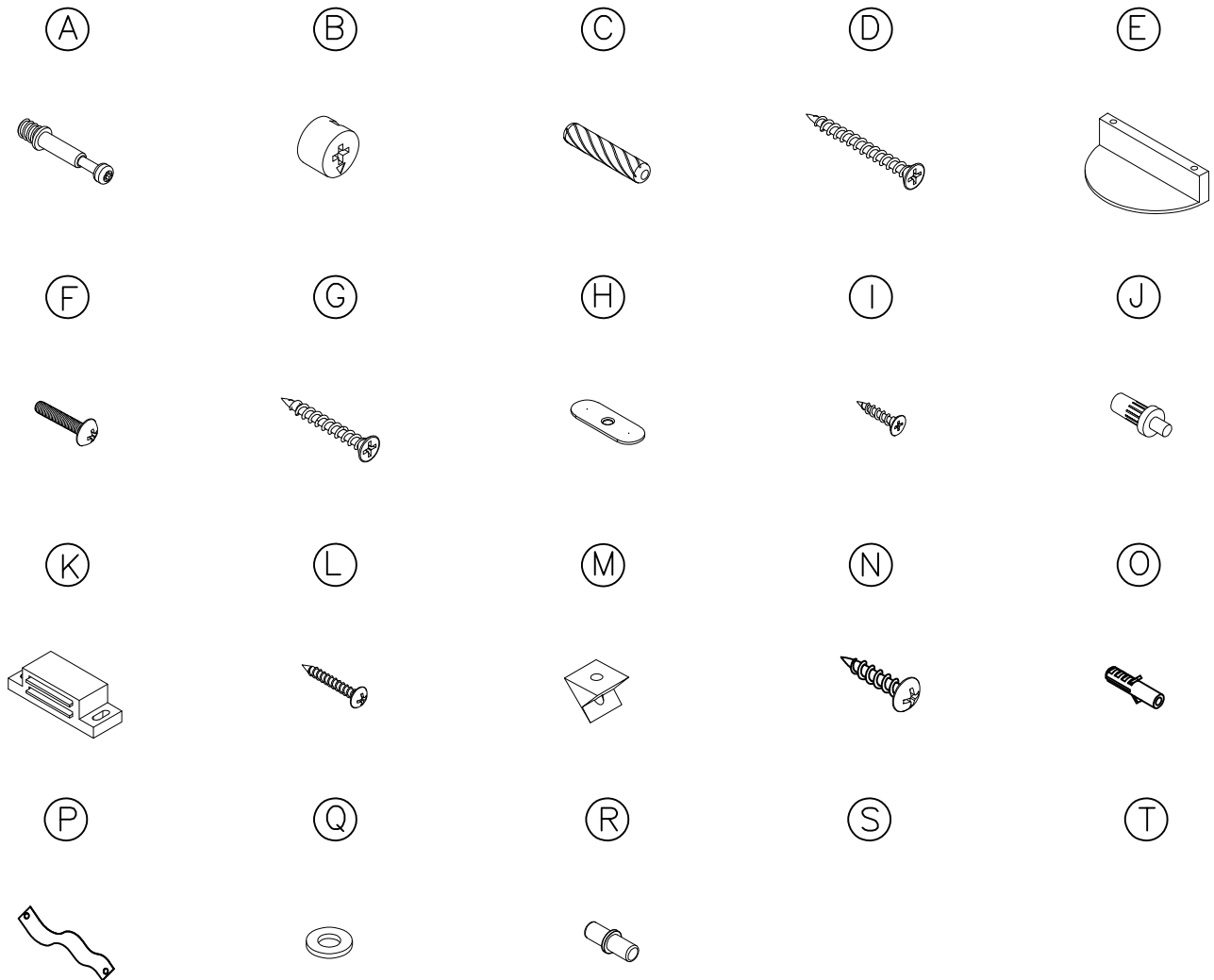


2 PERSONS

What ' s included

| Code | Description | Qty |
|------|------------------------|-----|
| A | Cam Bolt Ø6X35mm | 12 |
| B | Cam Lock Ø15X10mm | 12 |
| C | Wooden Dowel Ø6X30mm | 10 |
| D | Screw M4X35mm | 6 |
| E | Handle | 2 |
| F | Bolt M4X20mm | 4 |
| G | Screw M4X25mm | 16 |
| H | Door Metal Plate | 4 |
| I | Screw M3X12mm | 4 |
| J | Metal Pin | 4 |
| K | Magnetic Door Catcher | 2 |
| L | Screw M3X16mm | 12 |
| M | Plastic Corner Support | 8 |
| N | Screw M4X12mm | 2 |
| O | Anchor | 2 |
| P | Nylon Strap | 2 |
| Q | Metal Washer | 4 |
| R | MetaL Support | 4 |

The hardware



IMPORTANT:

1. Do not tighten bolts / screws completely until all bolts / screws are lined up and inserted into holes.
2. Do not over tighten screws and bolts to avoid stripping.
3. Please use hand tools to assemble this product. Do not use power tools.
4. Must need 2 people to assemble this product.

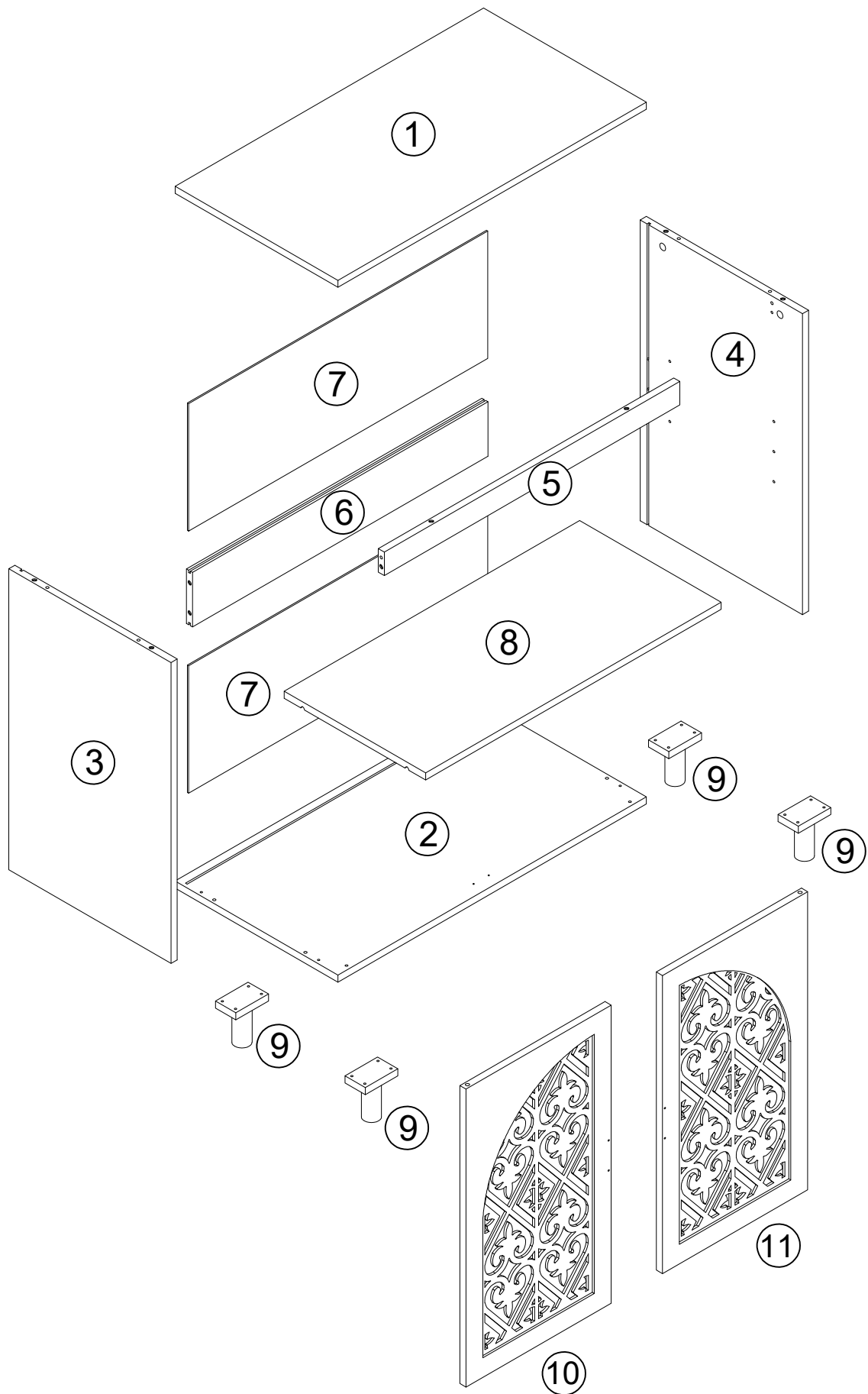


2 PERSONS

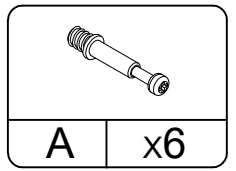
Included Accessories

| Code | Description | Qty |
|------|---------------------|-----|
| 1 | Cabinet Top | 1 |
| 2 | Bottom Panel | 1 |
| 3 | Left Side Panel | 1 |
| 4 | Right Side Panel | 1 |
| 5 | Top Front Stretcher | 1 |
| 6 | Back Stretcher | 1 |
| 7 | Back Panel | 2 |
| 8 | Sheif | 1 |
| 9 | Feet | 4 |
| 10 | Left Door | 1 |
| 11 | Right Door | 1 |

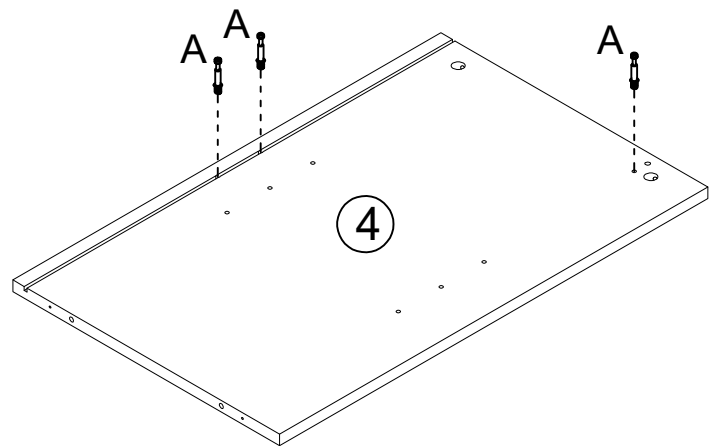
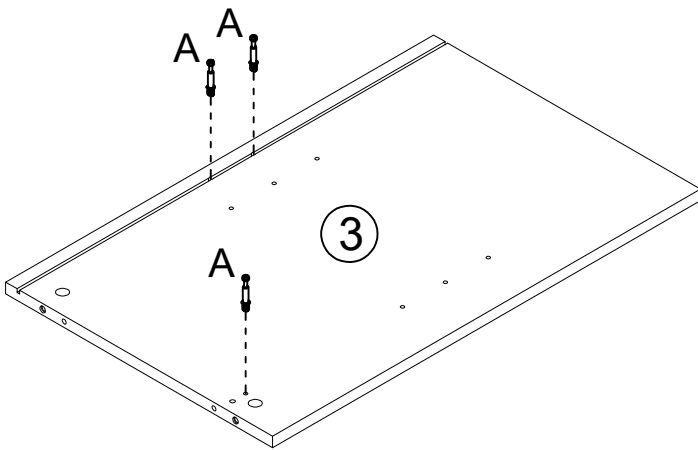
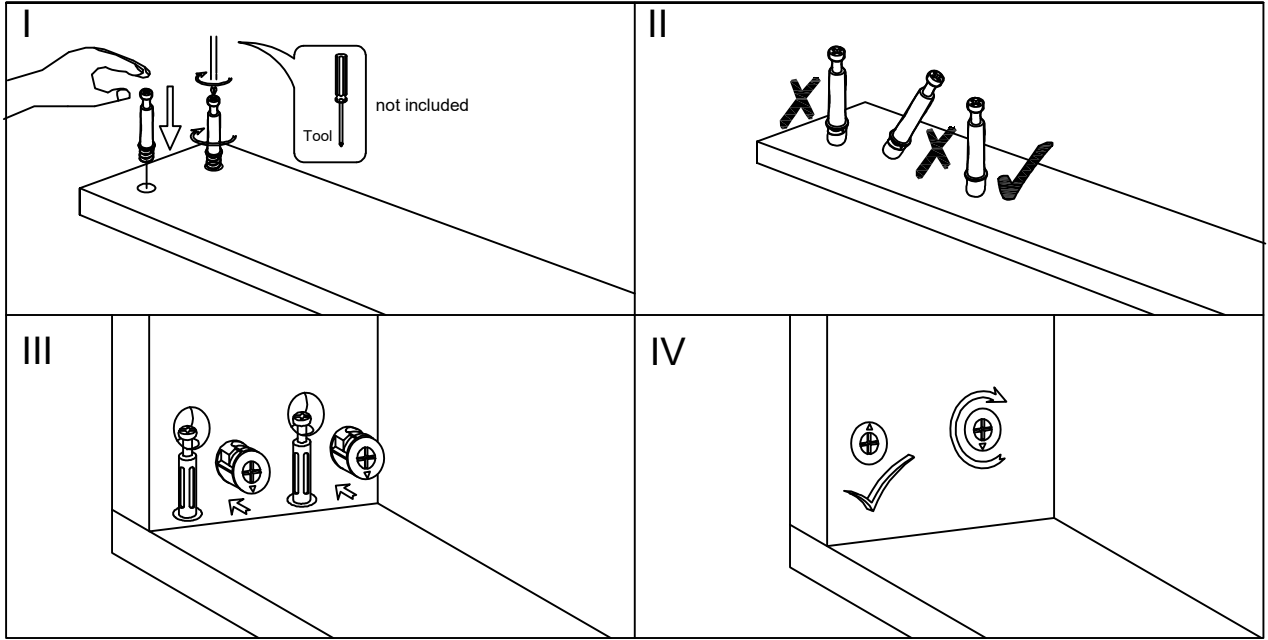
The Accessories



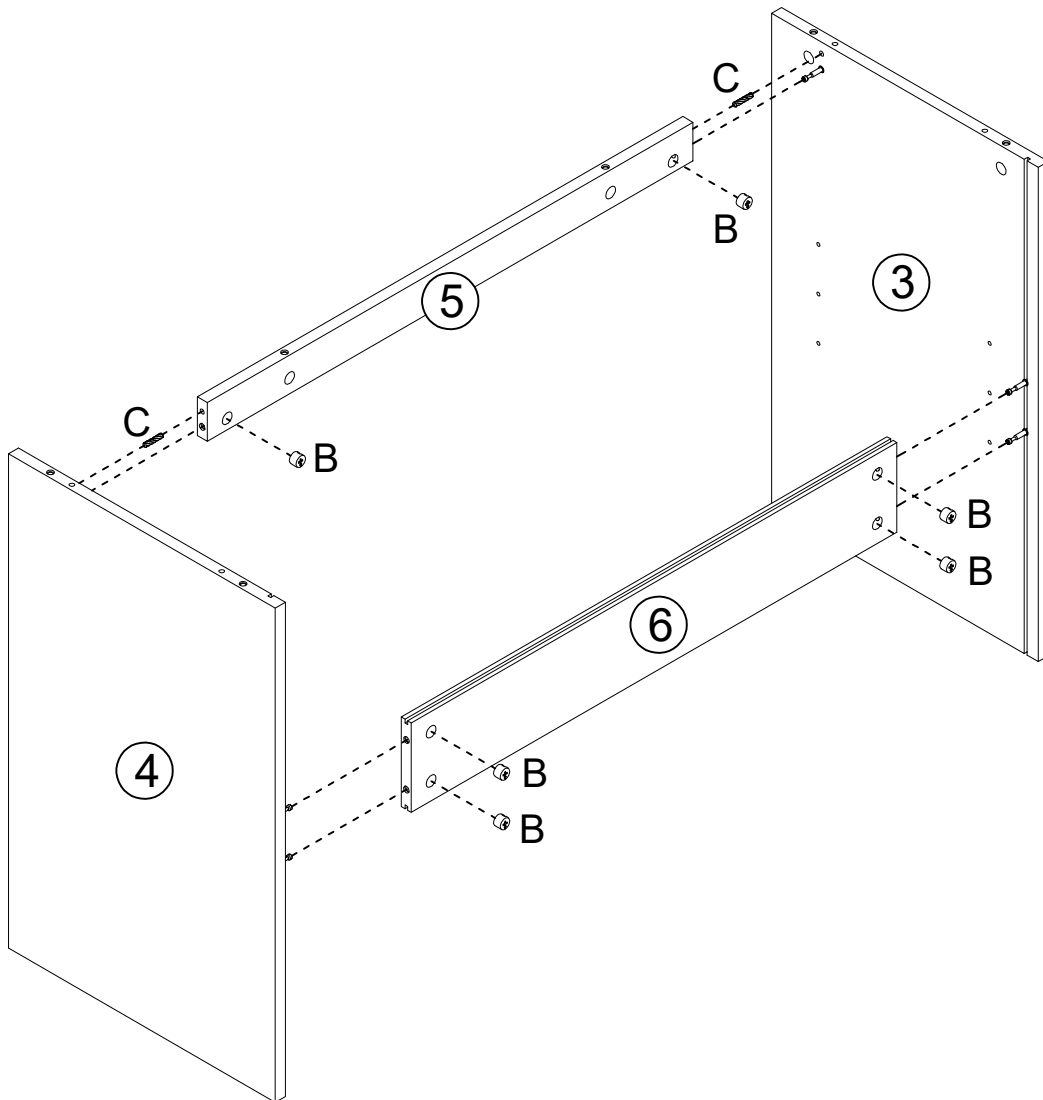
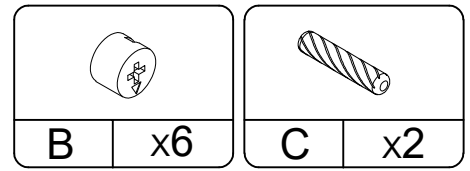
Step 1



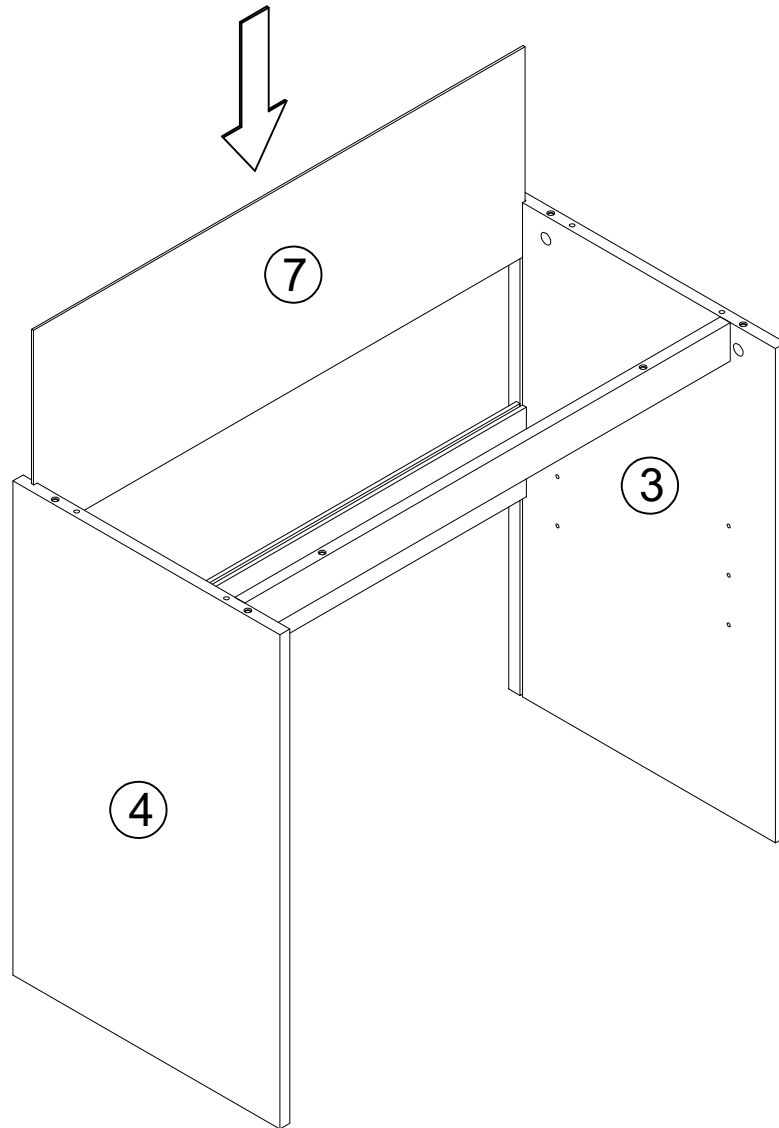
NOTED:



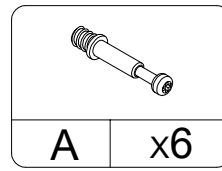
Step 2



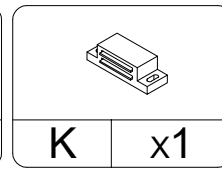
Step 3



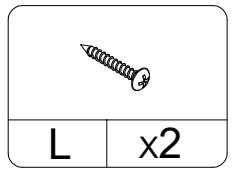
Step 4



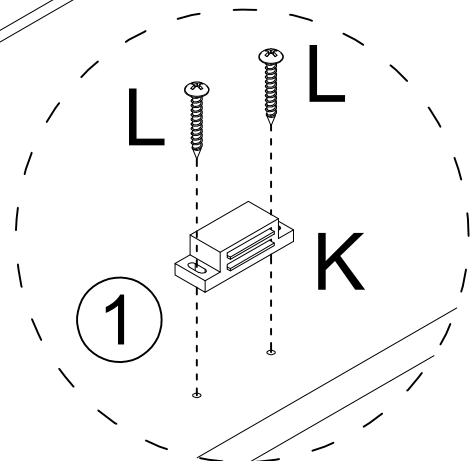
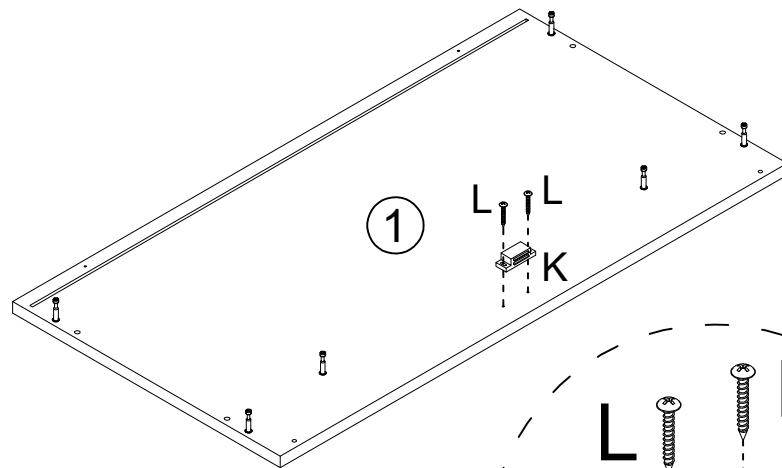
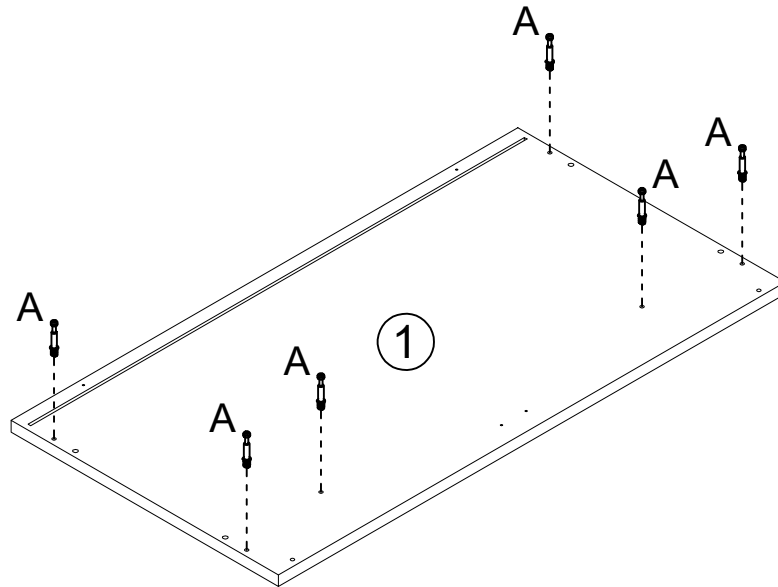
x6



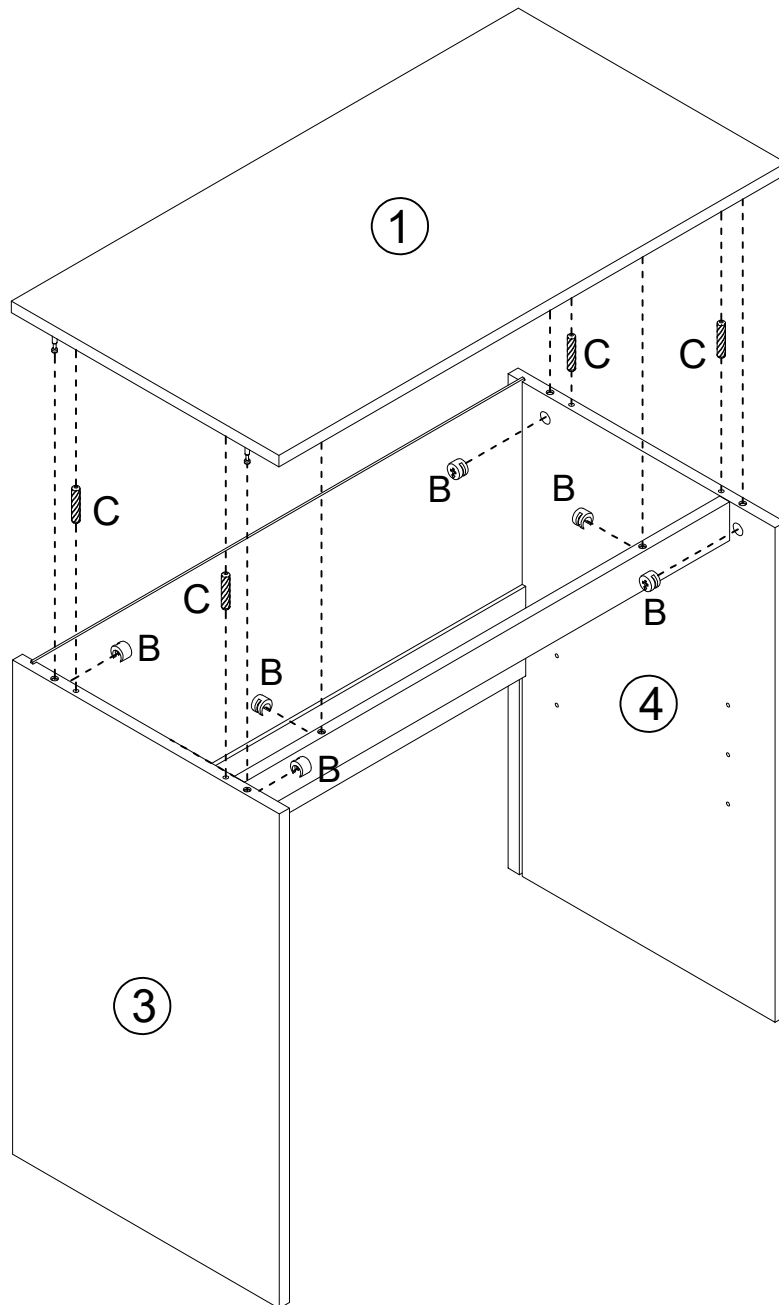
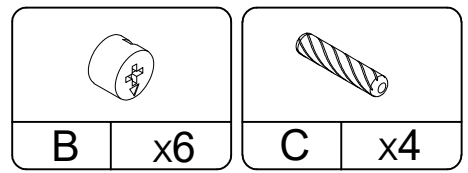
x1



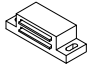

x2

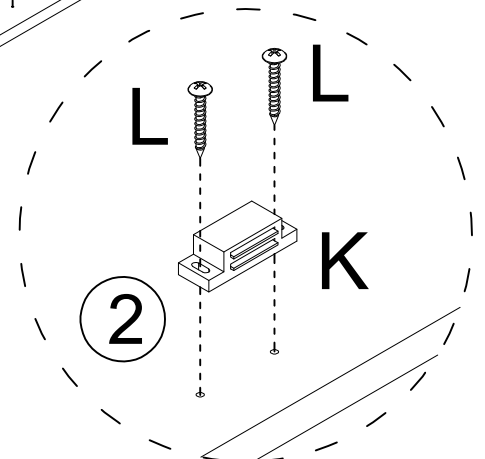
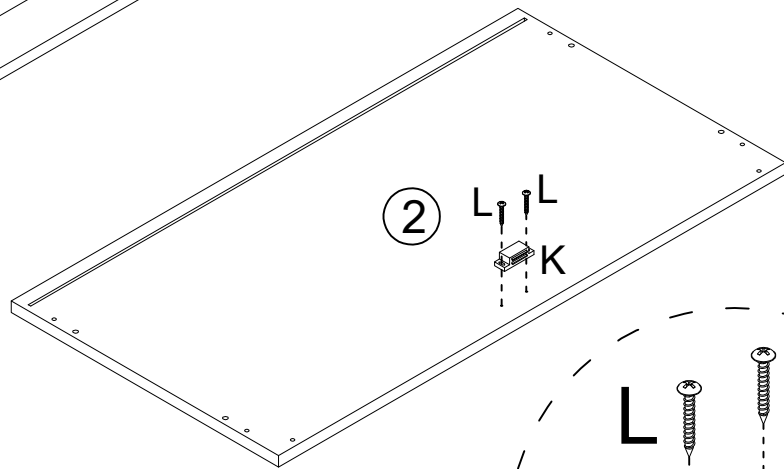
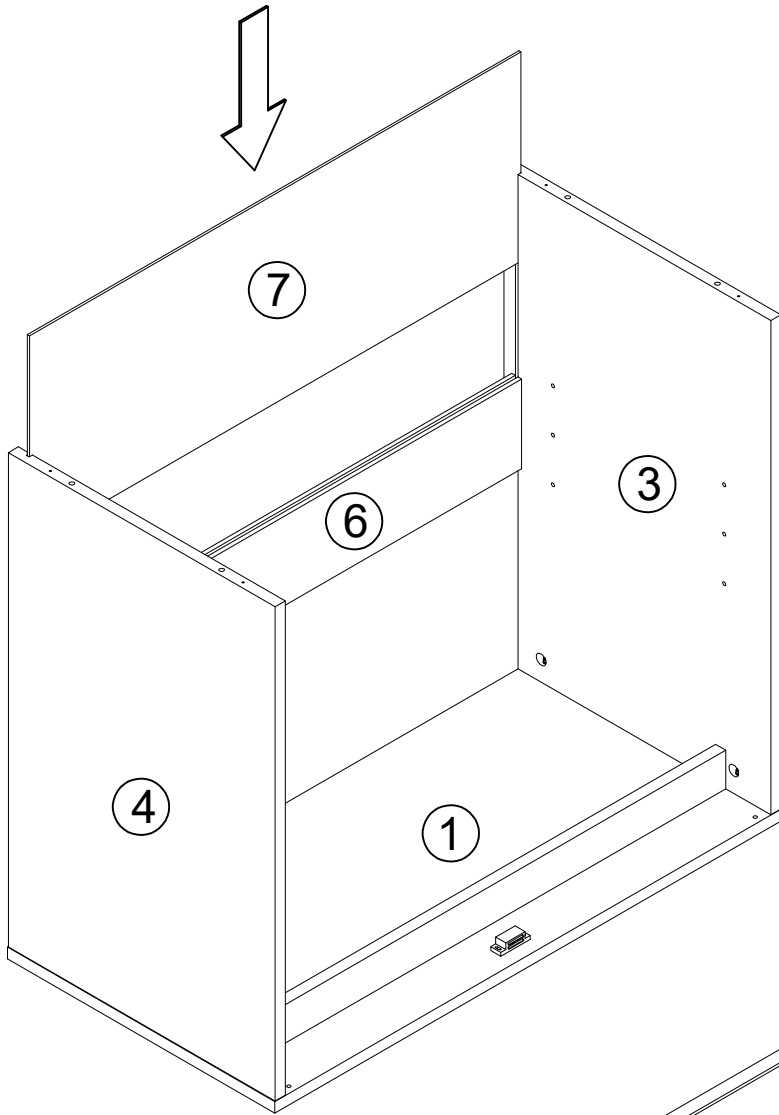


Step 5


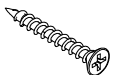


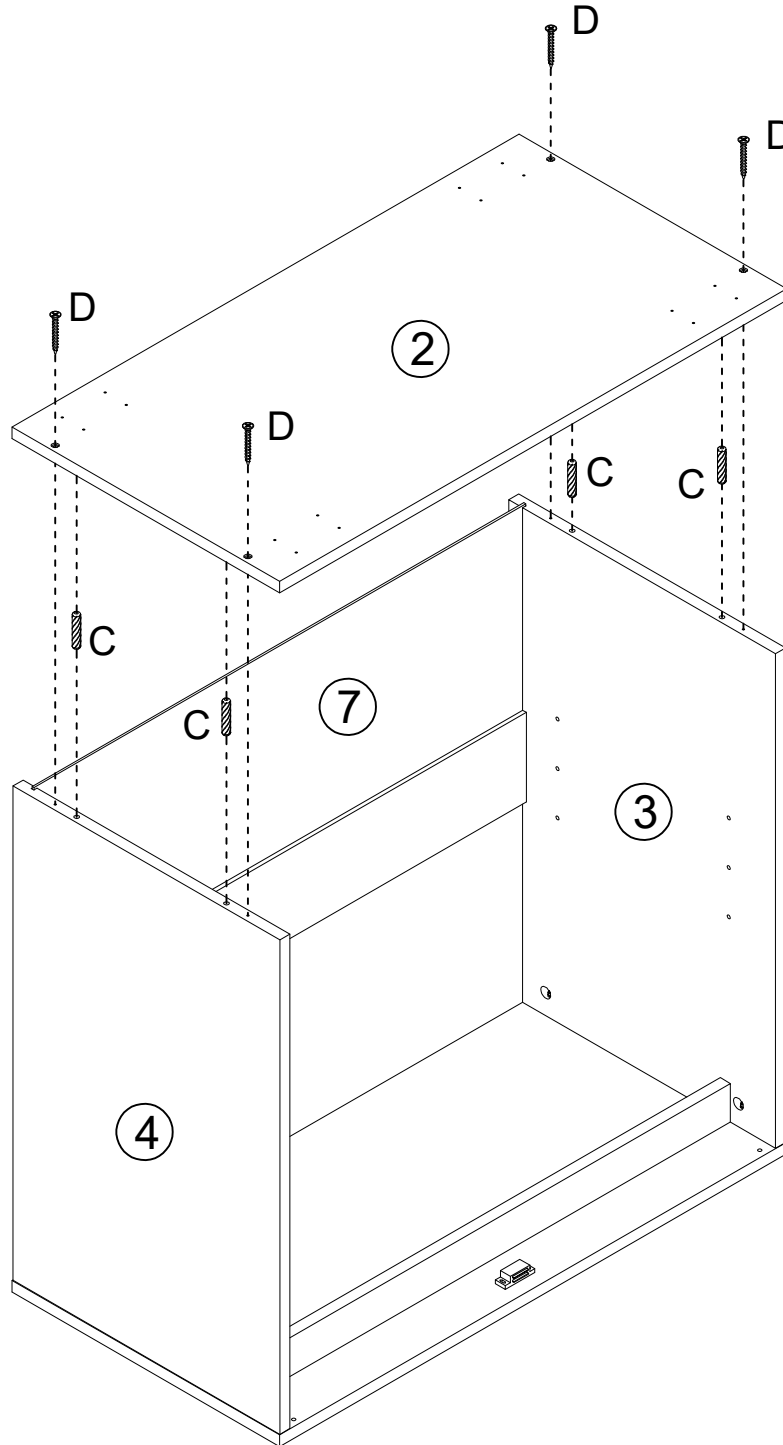
Step 6

| | | | |
|--|----|---|----|
|  | |  | |
| K | x1 | L | x2 |

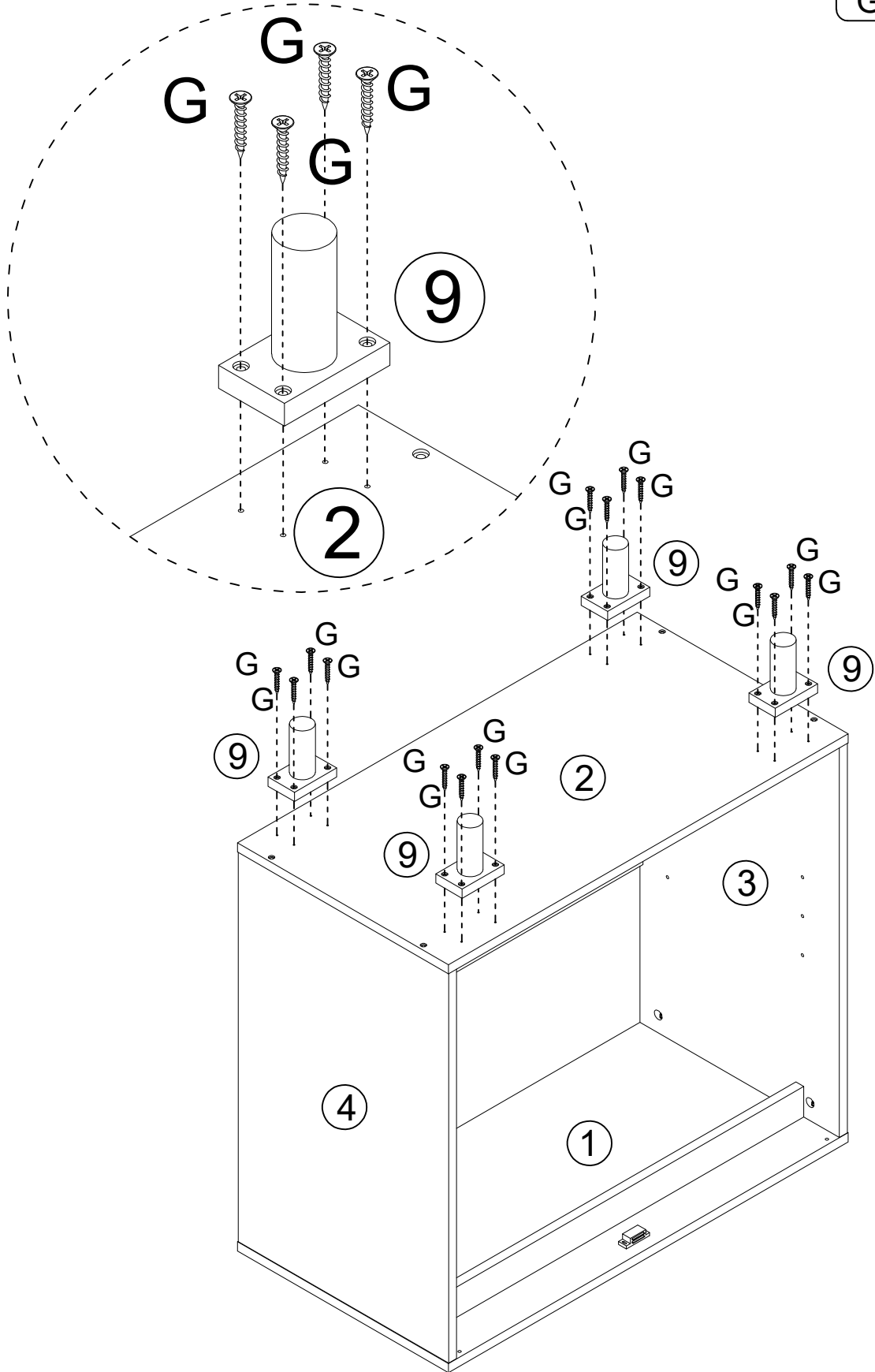
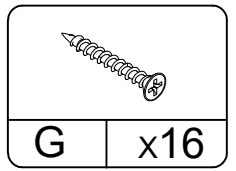


Step 7



| | |
|--|--|
|  |  |
| C | x4 |
| D | x4 |

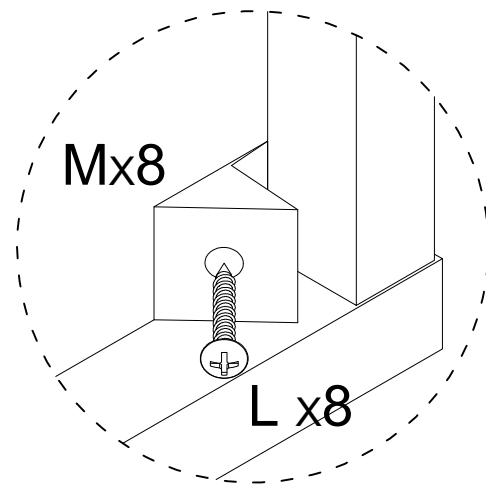
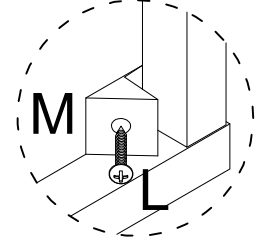
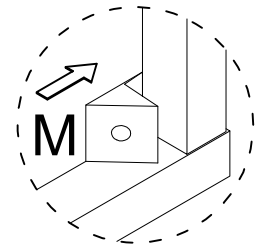
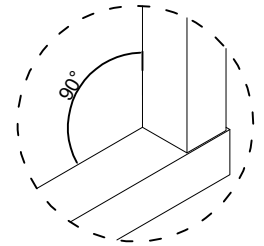
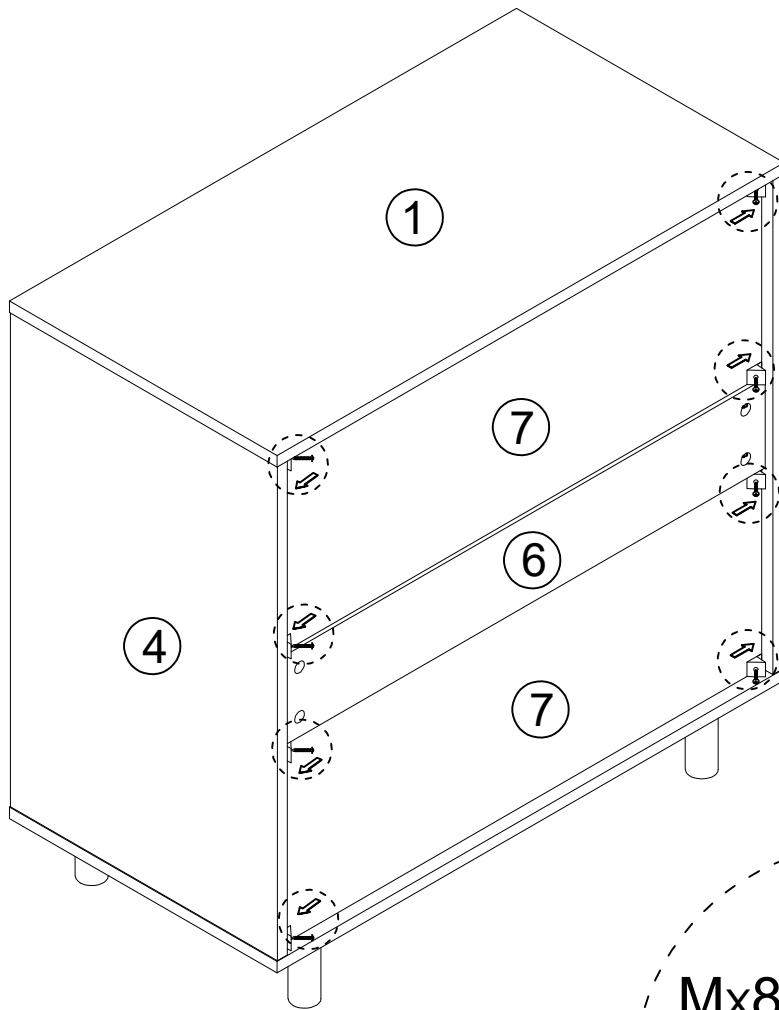


Step 8

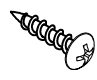




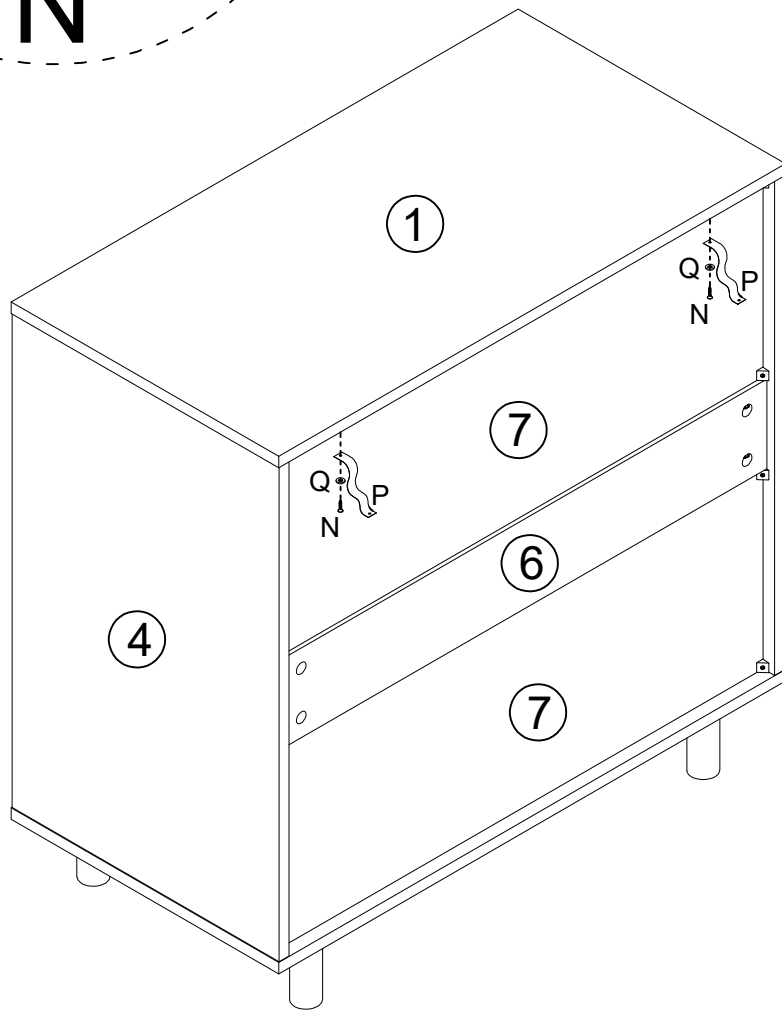
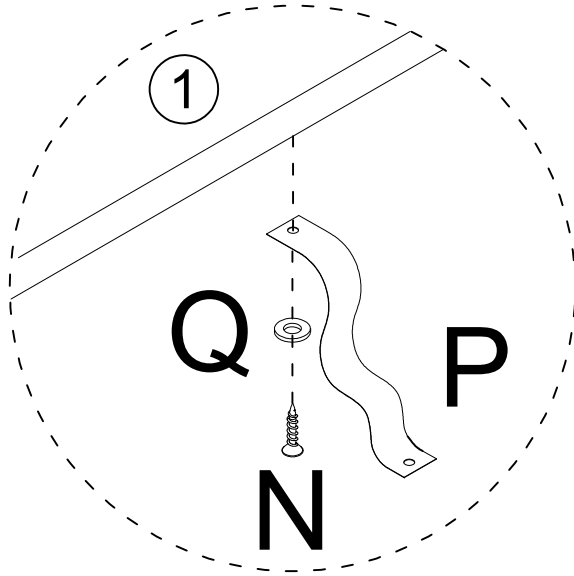
Step 9

| | | | |
|---|----|---|----|
|  | |  | |
| L | x8 | M | x8 |

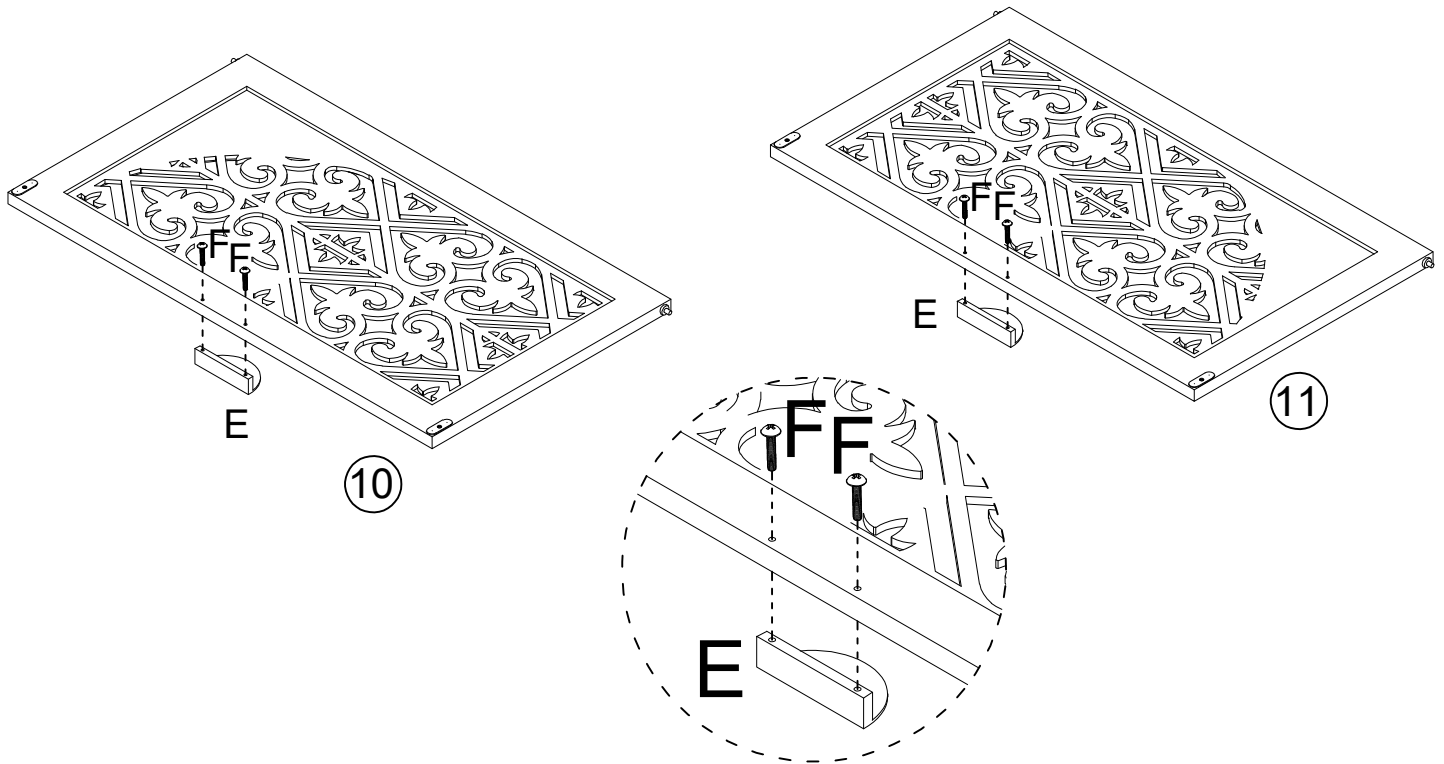
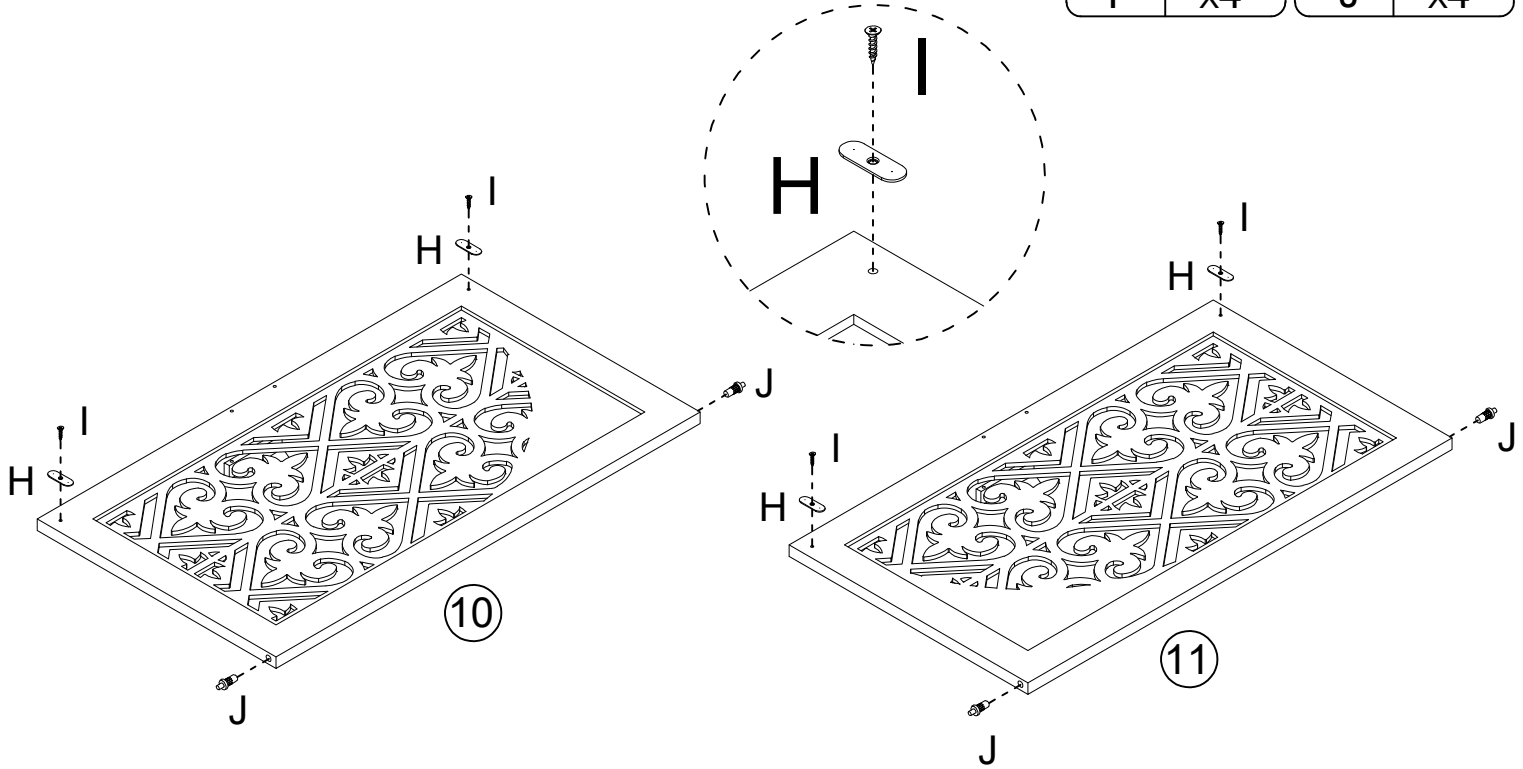
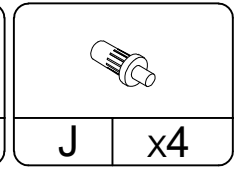
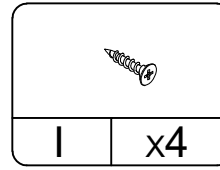
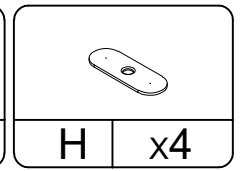
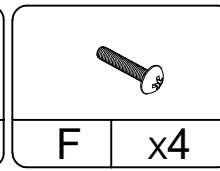
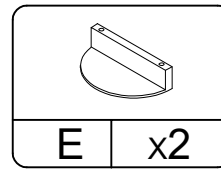


Step 10

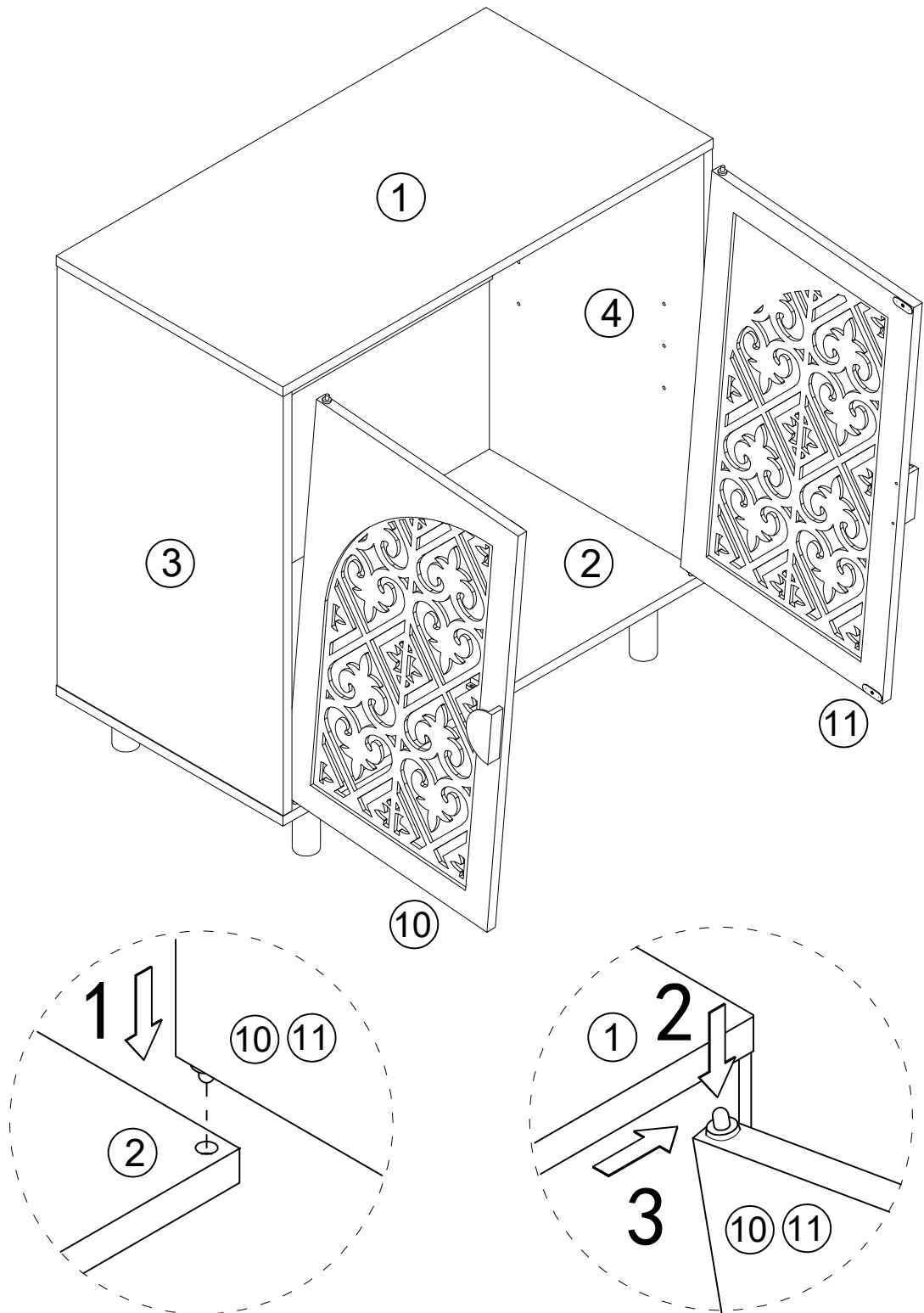
| | | | | | |
|---|---|---|----|---|----|
|  |  |  | | | |
| N | x2 | P | x2 | Q | x2 |



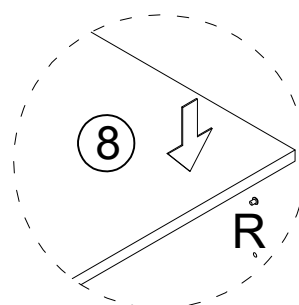
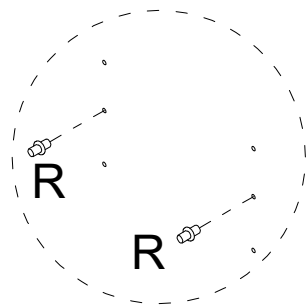
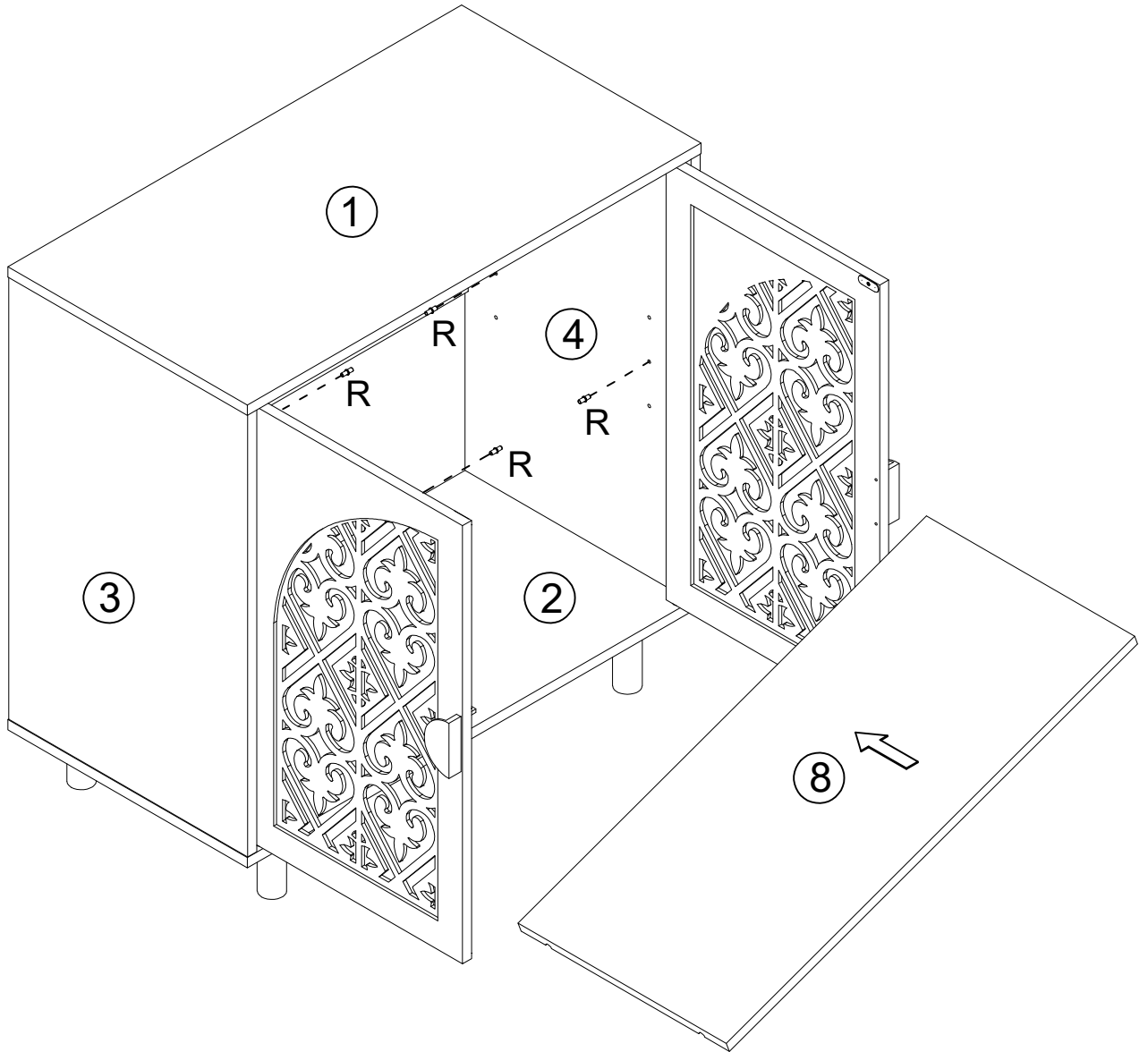
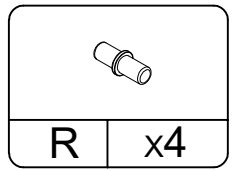
Step 11



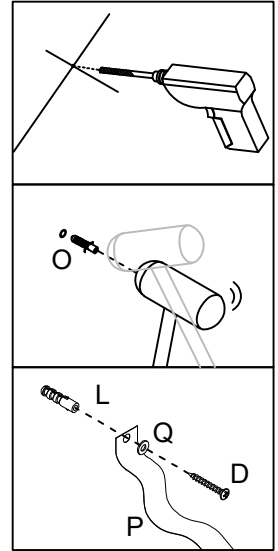
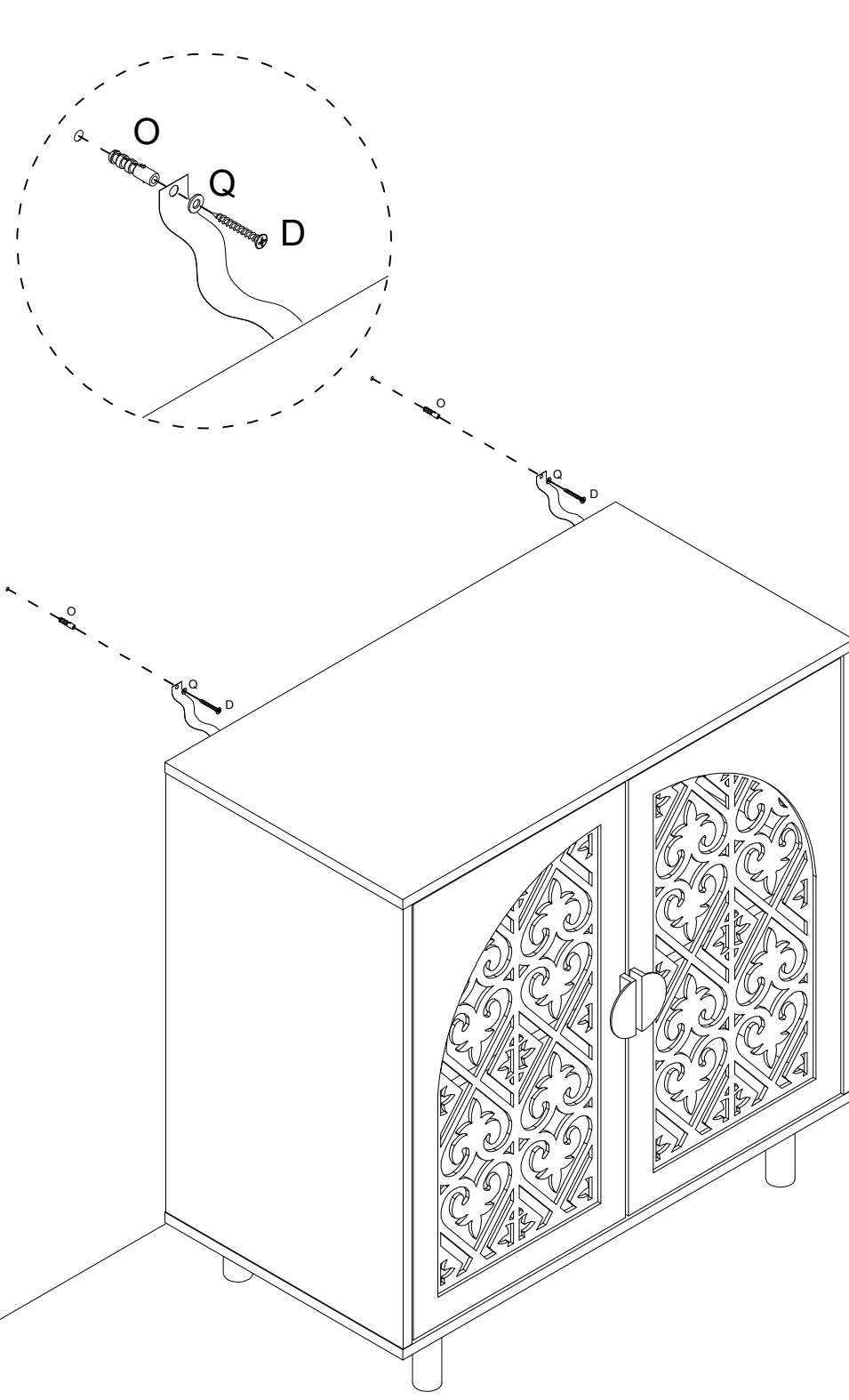
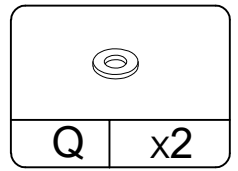
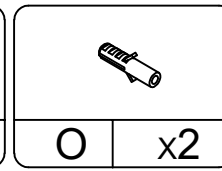
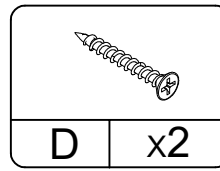
Step 12



Step 13



Step 14



Proper Use

- DO NOT use for commercial purposes
- DO NOT use as a step stool or stand on table
- DO NOT put hot serving liquid directly on the table top
- DO NOT leave spilled liquid on the table top
- DO NOT use table if damaged
- DO NOT exceed weight limit
- DO NOT make temporary repairs
- DO NOT use outdoor