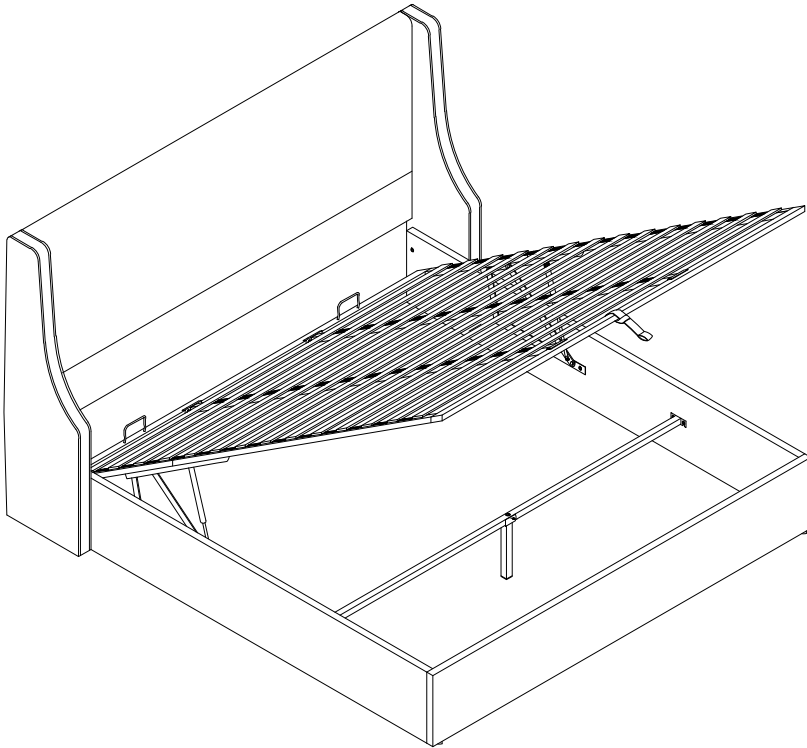


STANDARD BED



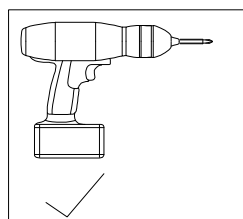
WARNING: OPEN THE HEADBOARD BACK ZIPPER, THE BED REST PARTS IN IT.



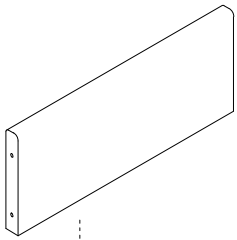
**Please TEAR OFF this shrink film from side!
DO NOT USE CUTTER!**

IMPORTANT NOTE

1. FOR THE PROTECTION OF YOUR FURNITURE, PLACE ALL PARTS ON A CLEAN AND SMOOTH SURFACE TO PREVENT ANY DAMAGE.
2. DO NOT USE POWER TOOLS TO ASSEMBLE THE BED.
3. PLEASE PERIODICALLY CHECK ALL FITTINGS AND RE-TIGHTEN AS NECESSARY.
4. DO NOT USE THE BED UNLESS ALL BOLTS AND SCREWS ARE FIRMLY SECURED.
5. NEED PARTS OR ASSISTANCE? CONTACT US
6. YOU CAN ASSEMBLE IT WITH OUR PACKAGING TOOLS OR WITH A.



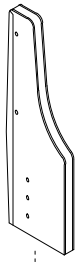
PART LIST



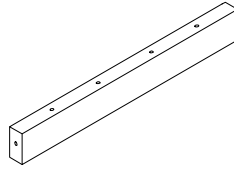
1 x 1pc



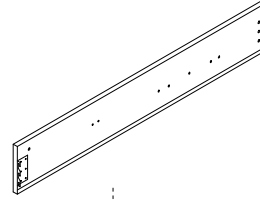
2 x 1pc



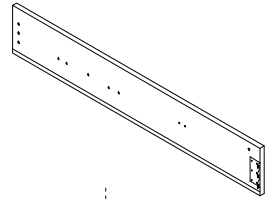
3 x 1pc



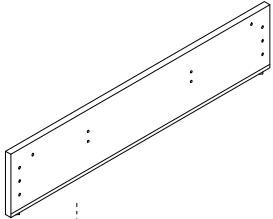
4 x 1pc



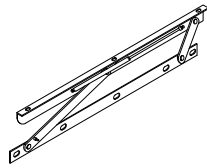
5 x 1pc



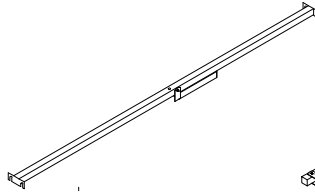
6 x 1pc



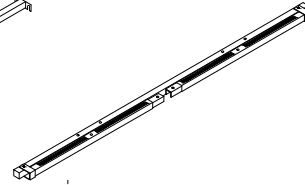
7 x 1pc



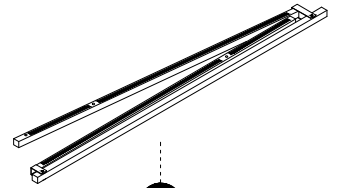
8 x 1pc



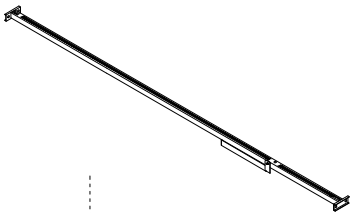
9 x 1pc



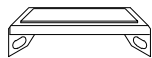
10 x 1pc



11 x 1pc



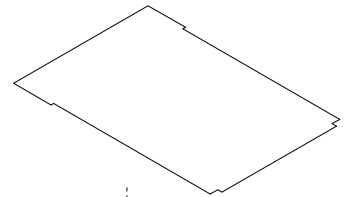
12 x 2pcs



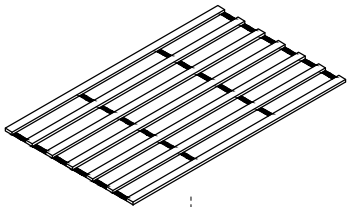
15 x 2pcs



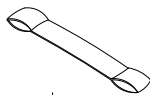
16 x 2pcs



17 x 1pc



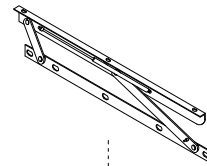
18 x 2pcs



19 x 1pc



20 x 2pcs



21 x 1pc

HARDWARE LIST



H1 M5 x 1pc



H2 M8x25mm x 32pcs



H3 M8x35mm x 4pcs



H4 M8x60mm x 16pcs



H5 M8 x 61pcs



H6 M8x17mm x 49pcs



H7 M8 x 6pcs



H8 M14 x 1pc



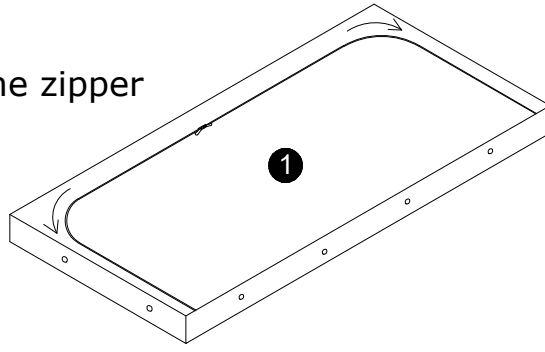
H9 M8x45mm x 9pcs



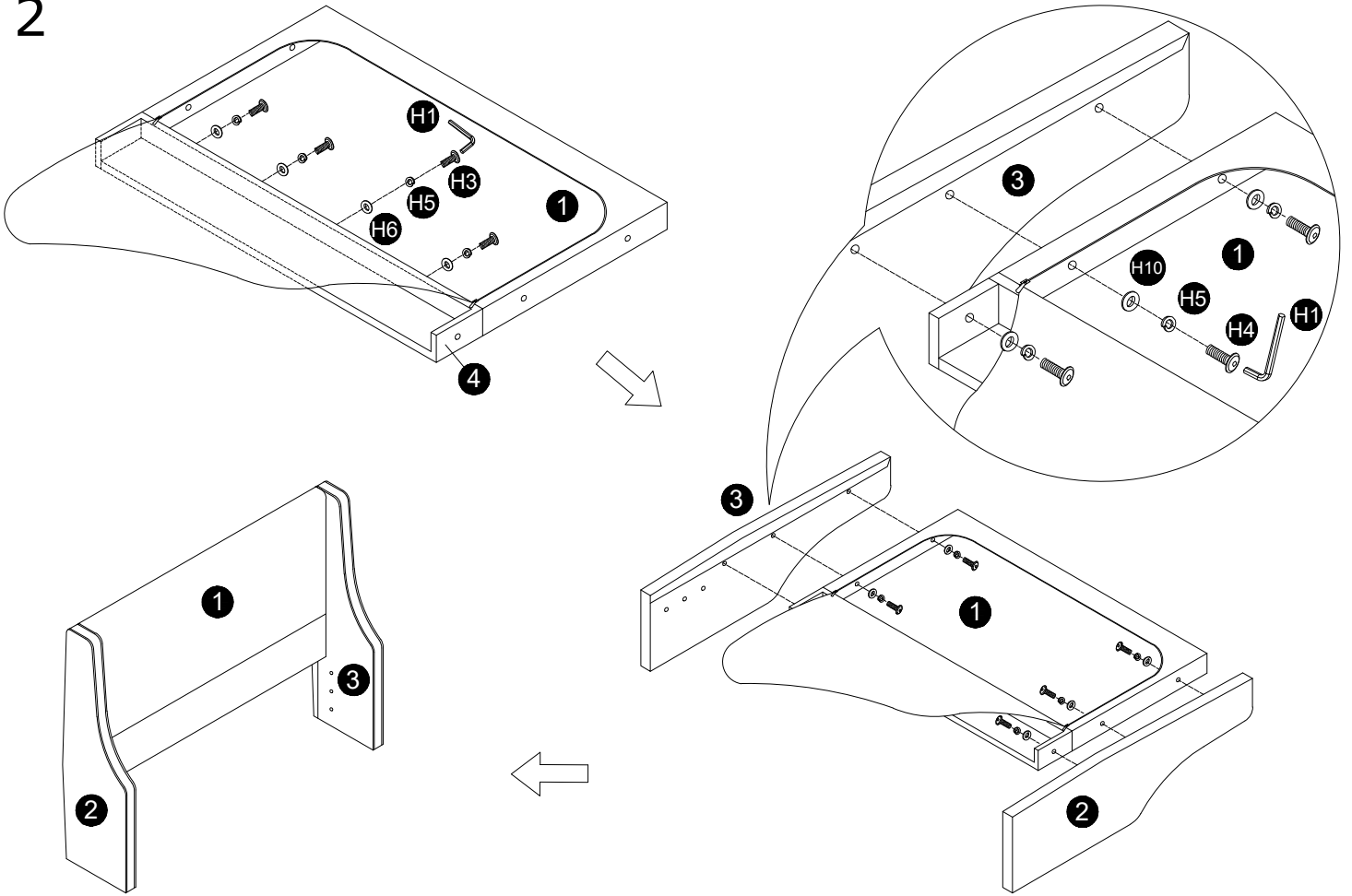
H10 M8x22mm x 12pcs

1 **NOTE:** PLEASE OPEN THE ZIPPER ON THE BACK OF **1** AND TAKE OUT THE PARTS.

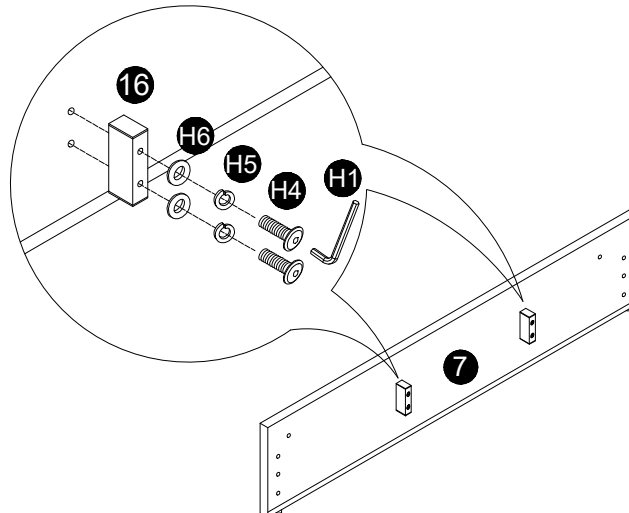
Open the zipper



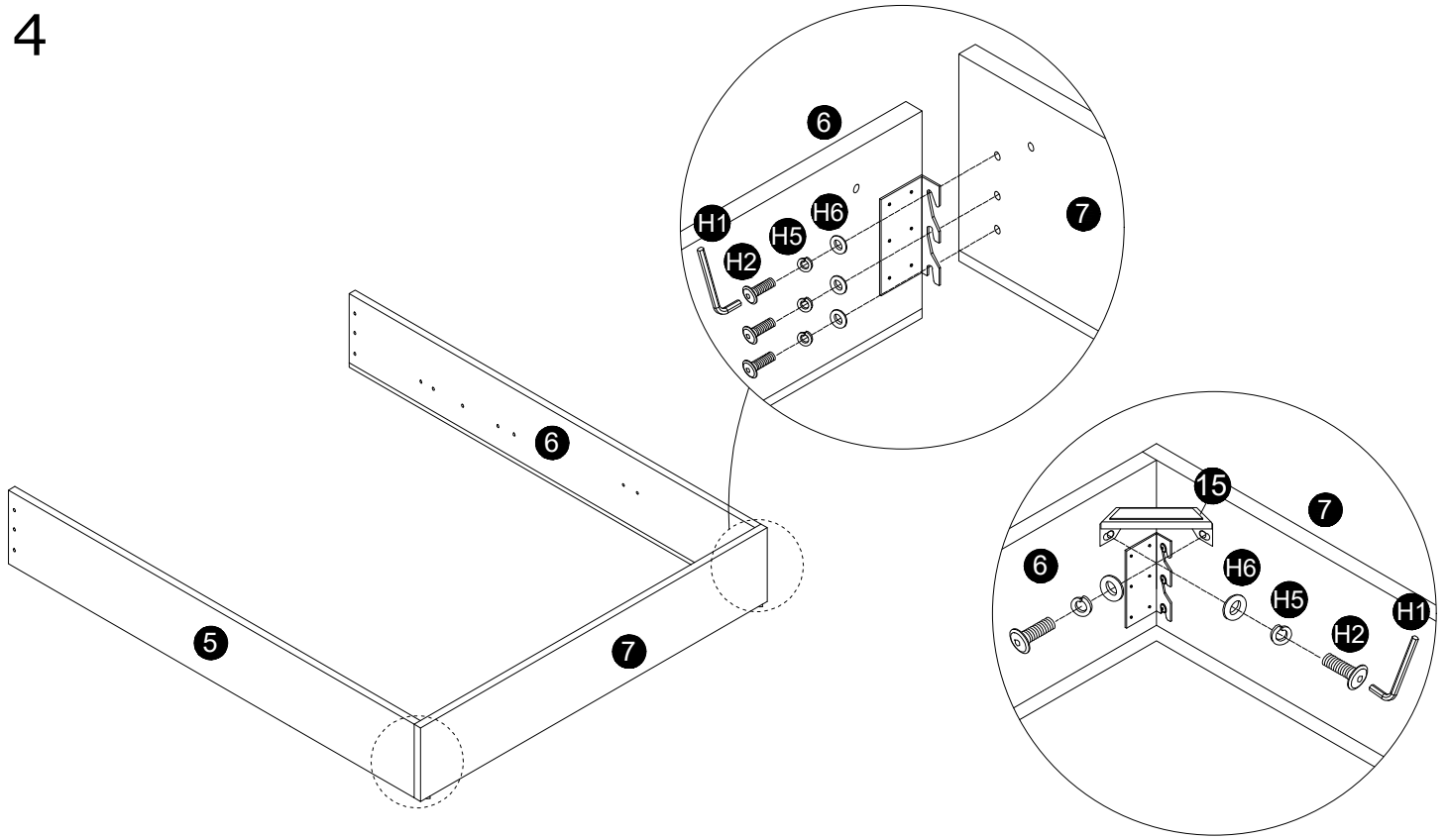
2



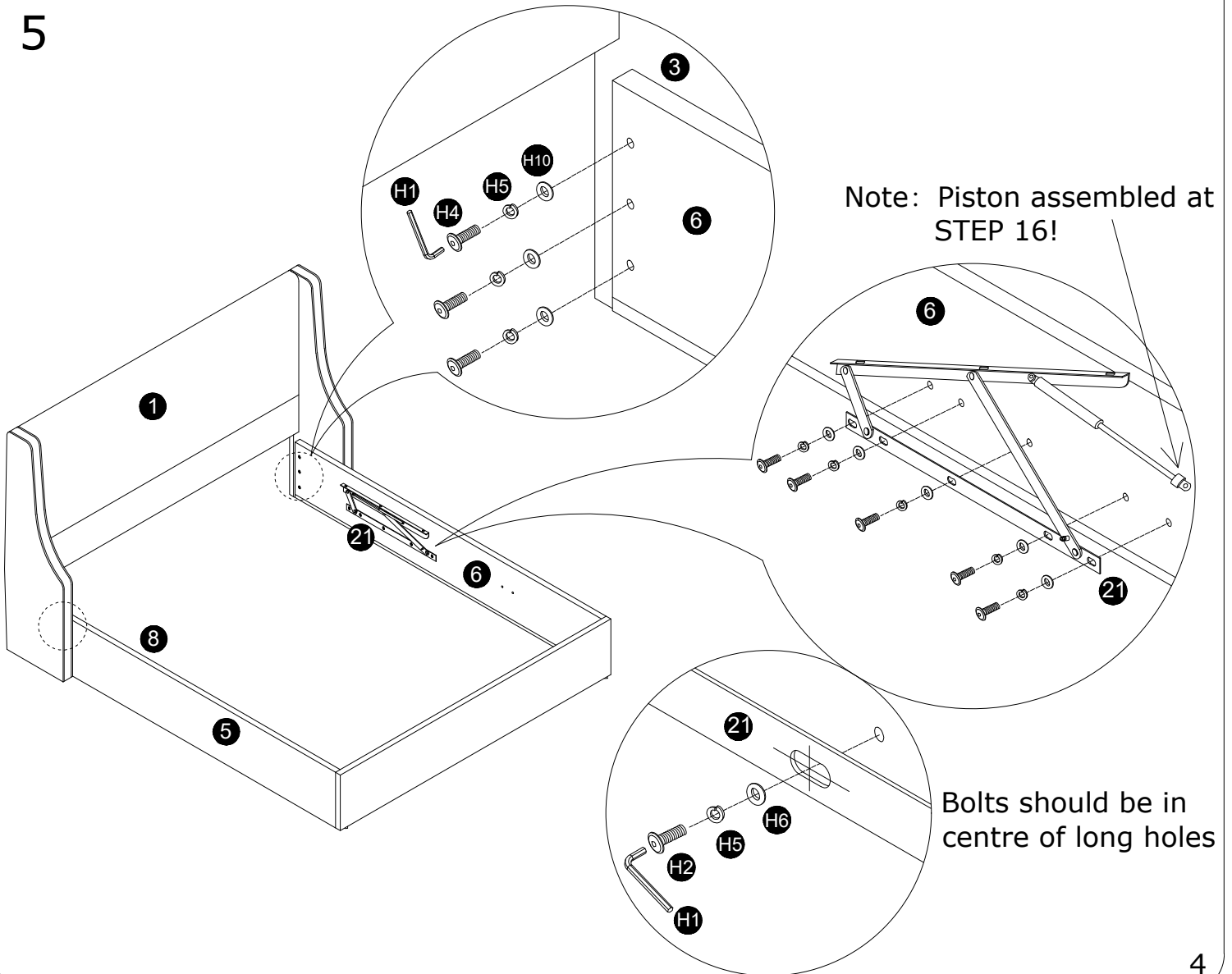
3



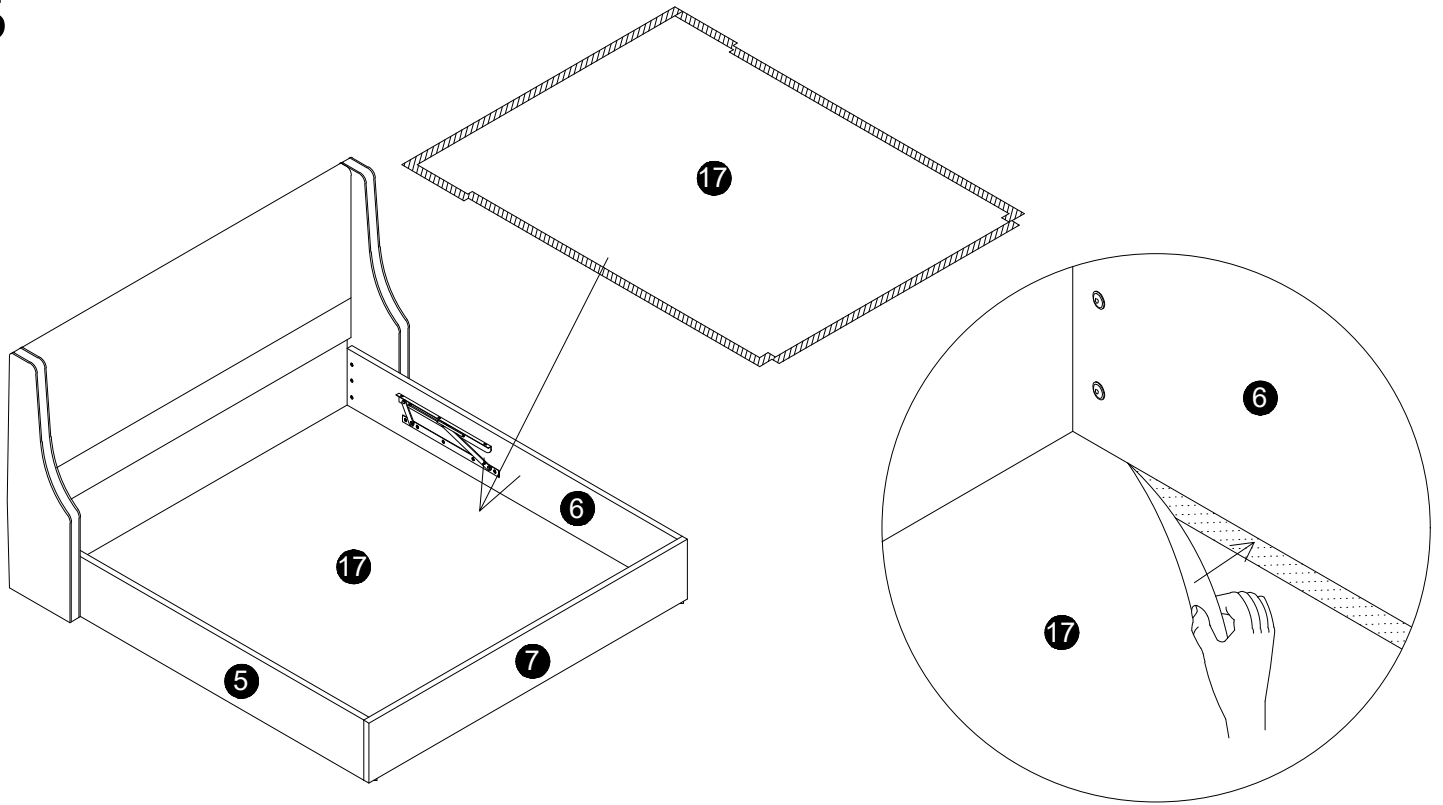
4



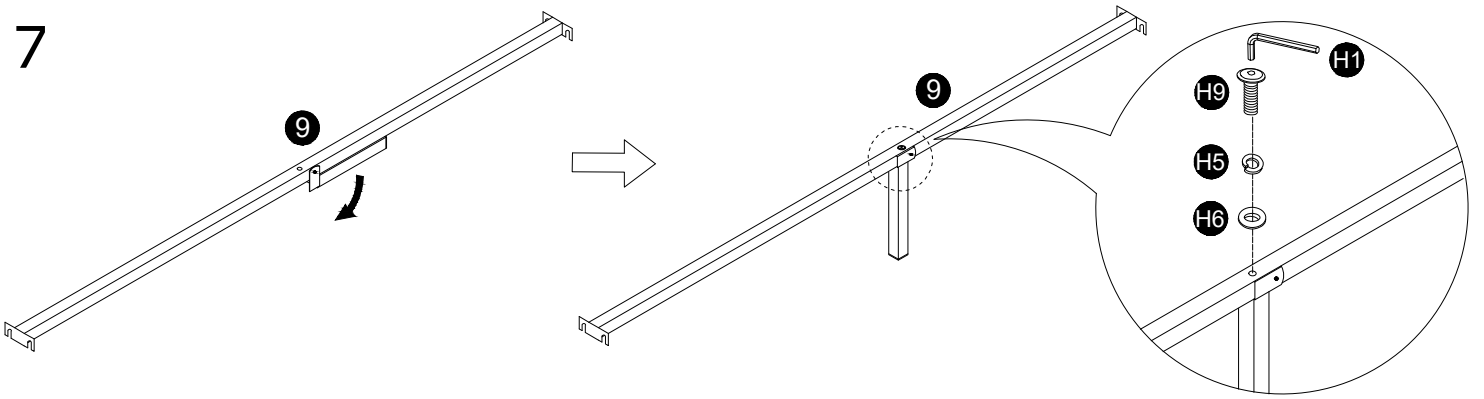
5



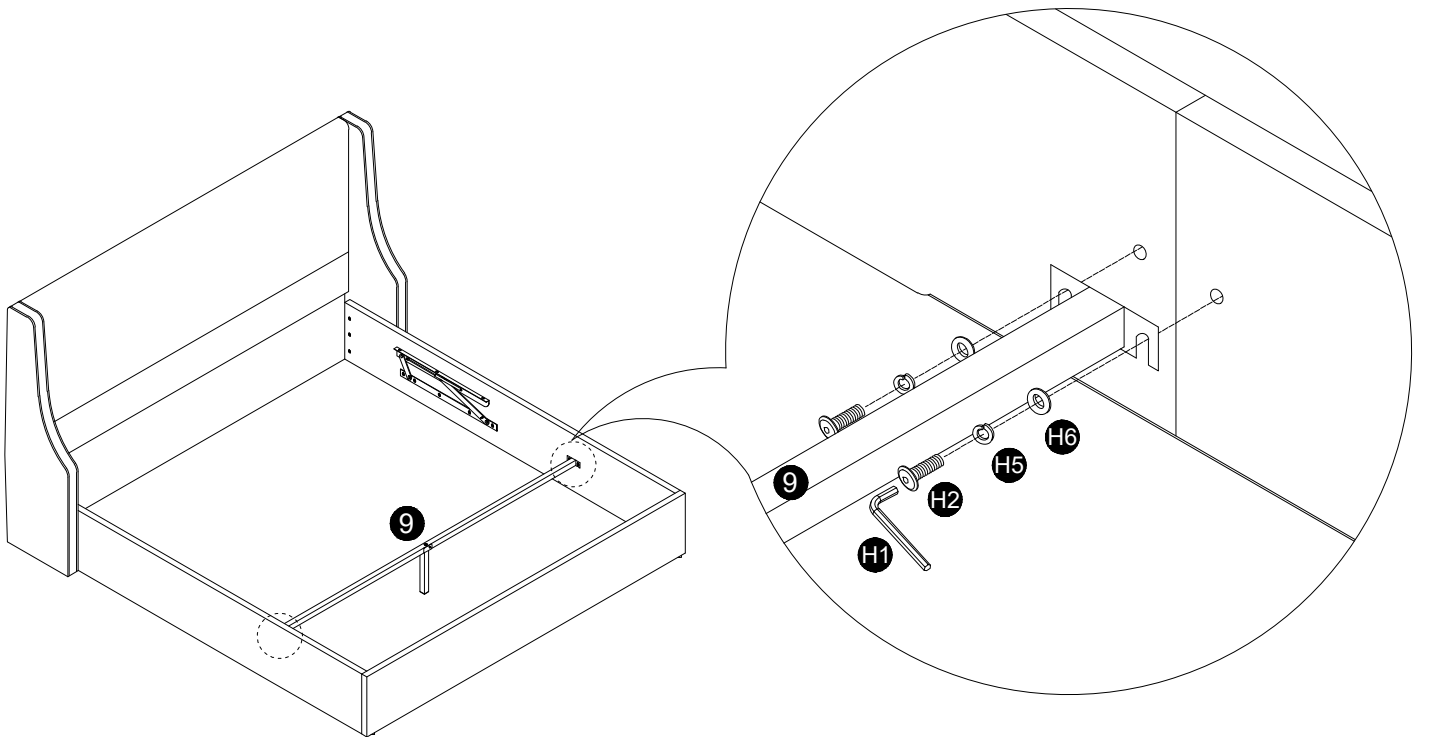
6



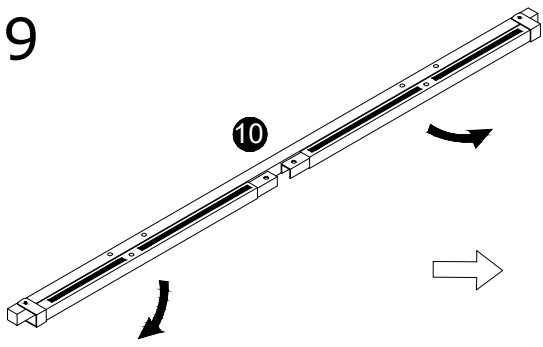
7



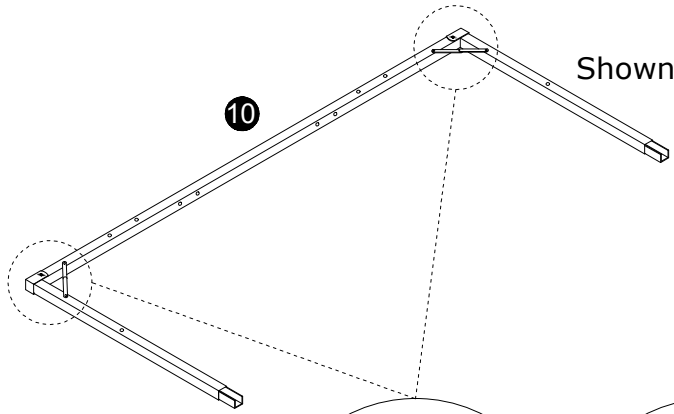
8



9

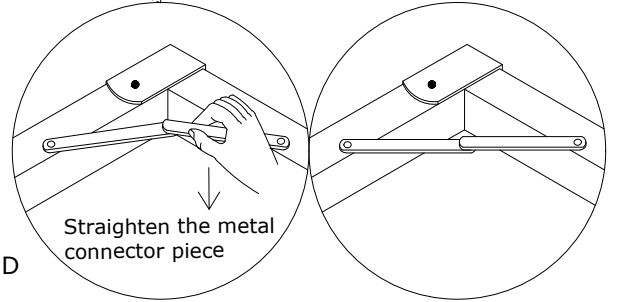


10



Shown upside down

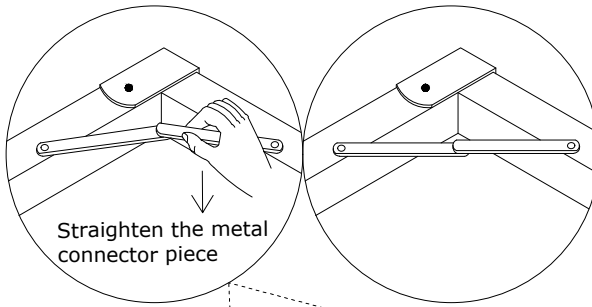
10



Straighten the metal connector piece

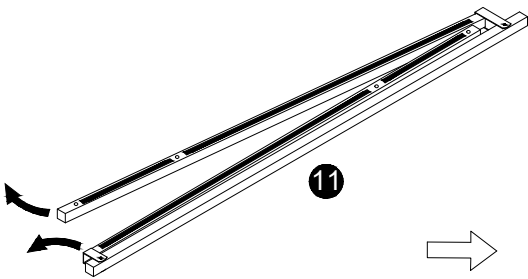
BEWARE OF CLAMP HAND

10

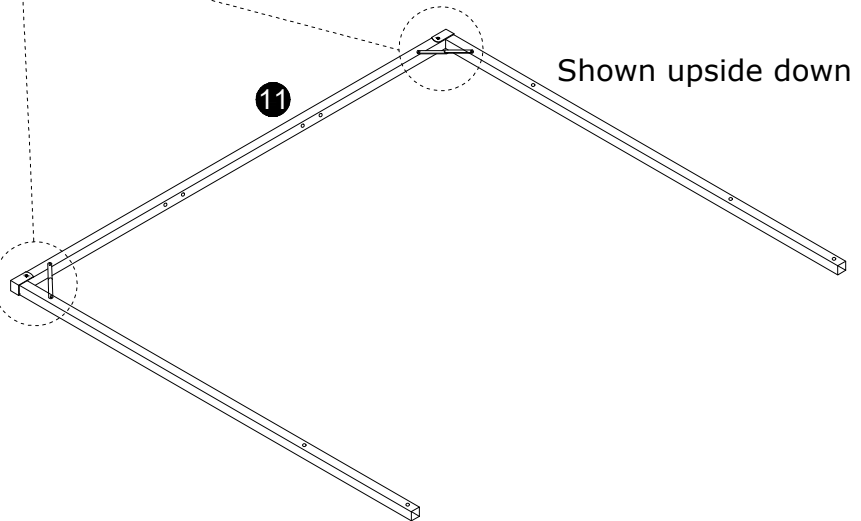


Straighten the metal connector piece

BEWARE OF CLAMP HAND



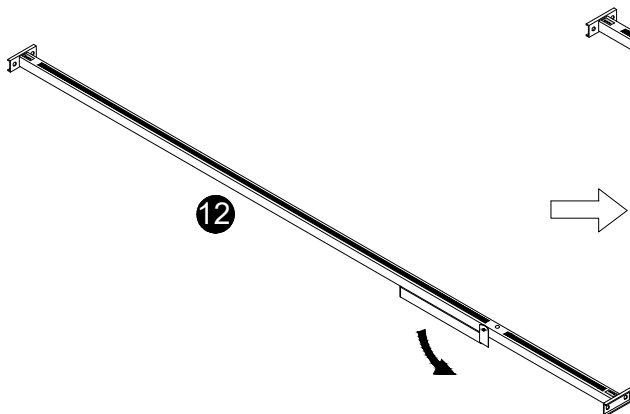
11



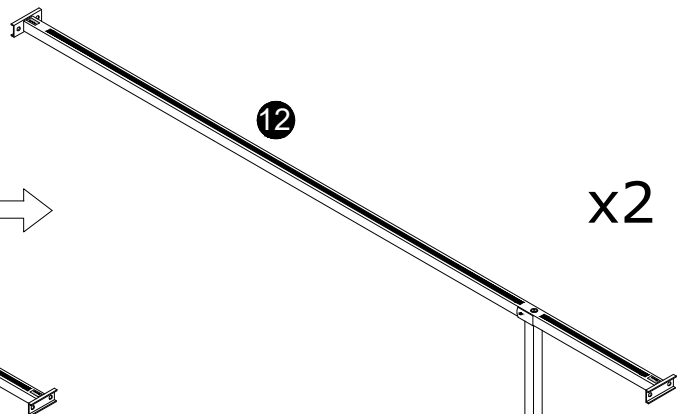
Shown upside down

11

11



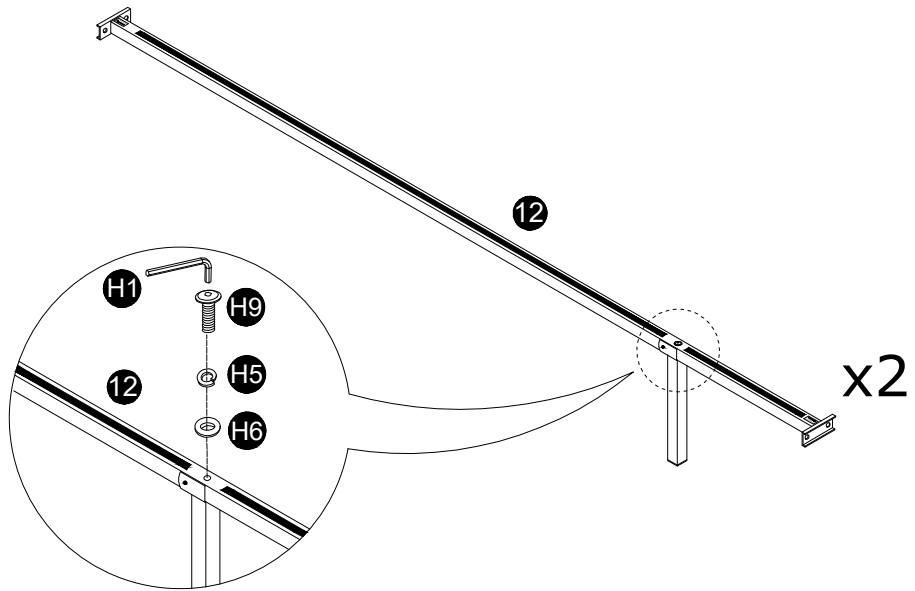
12



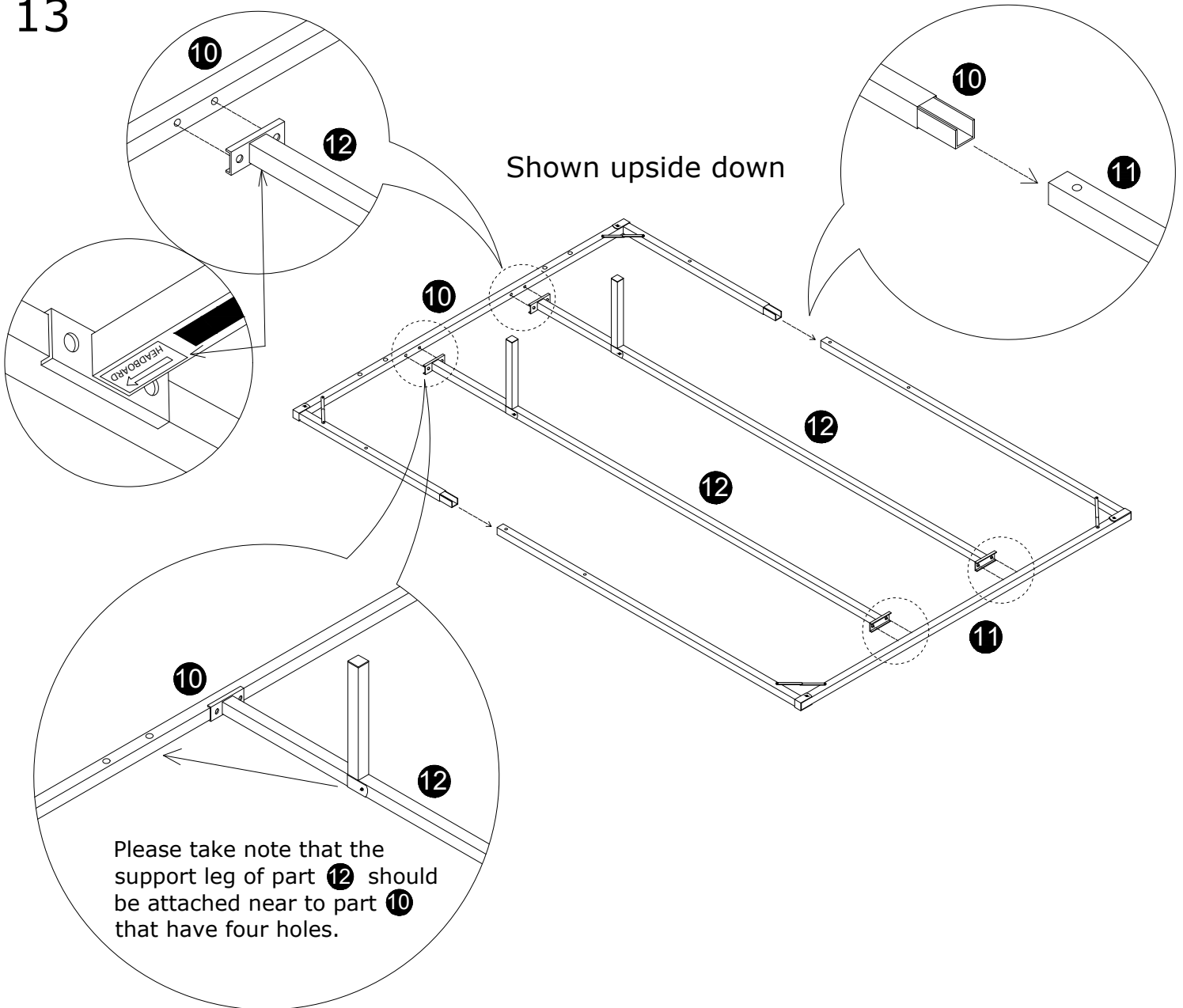
12

x2

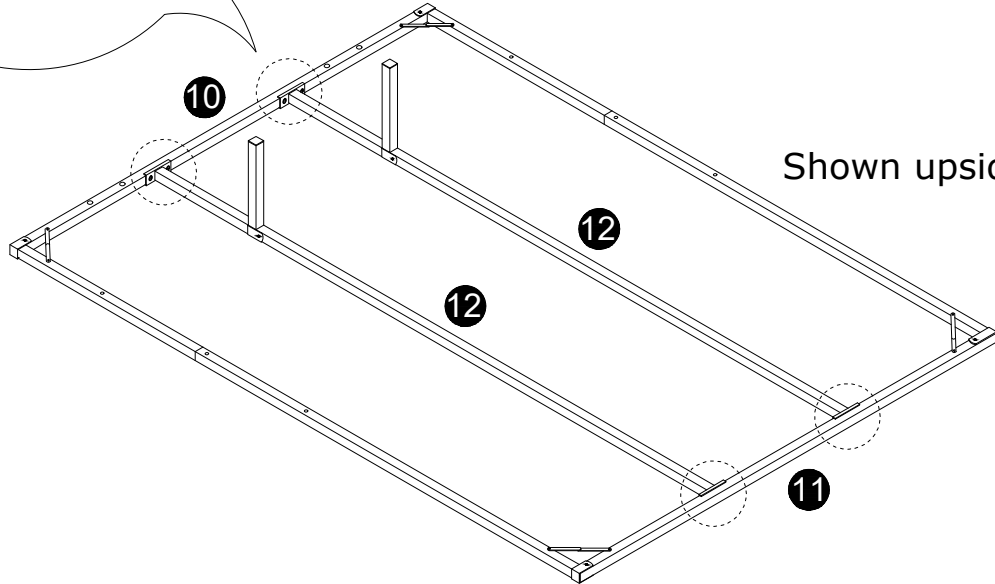
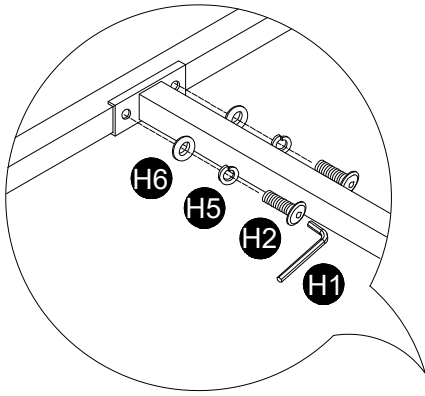
12



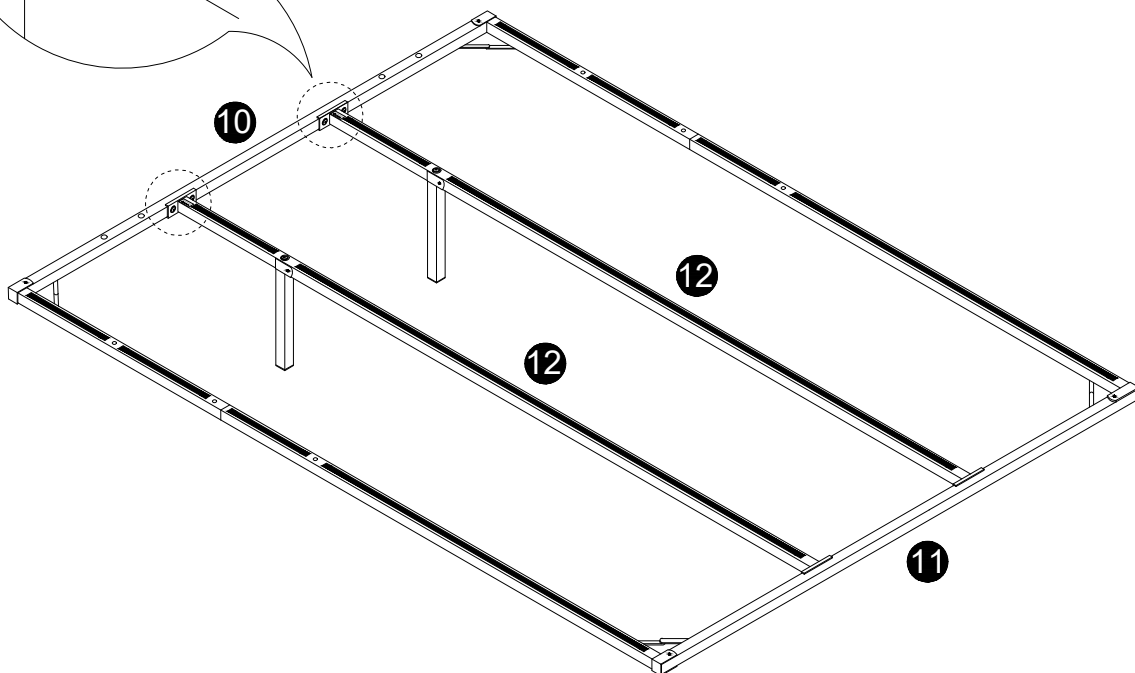
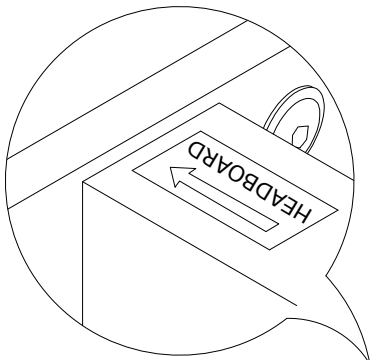
13



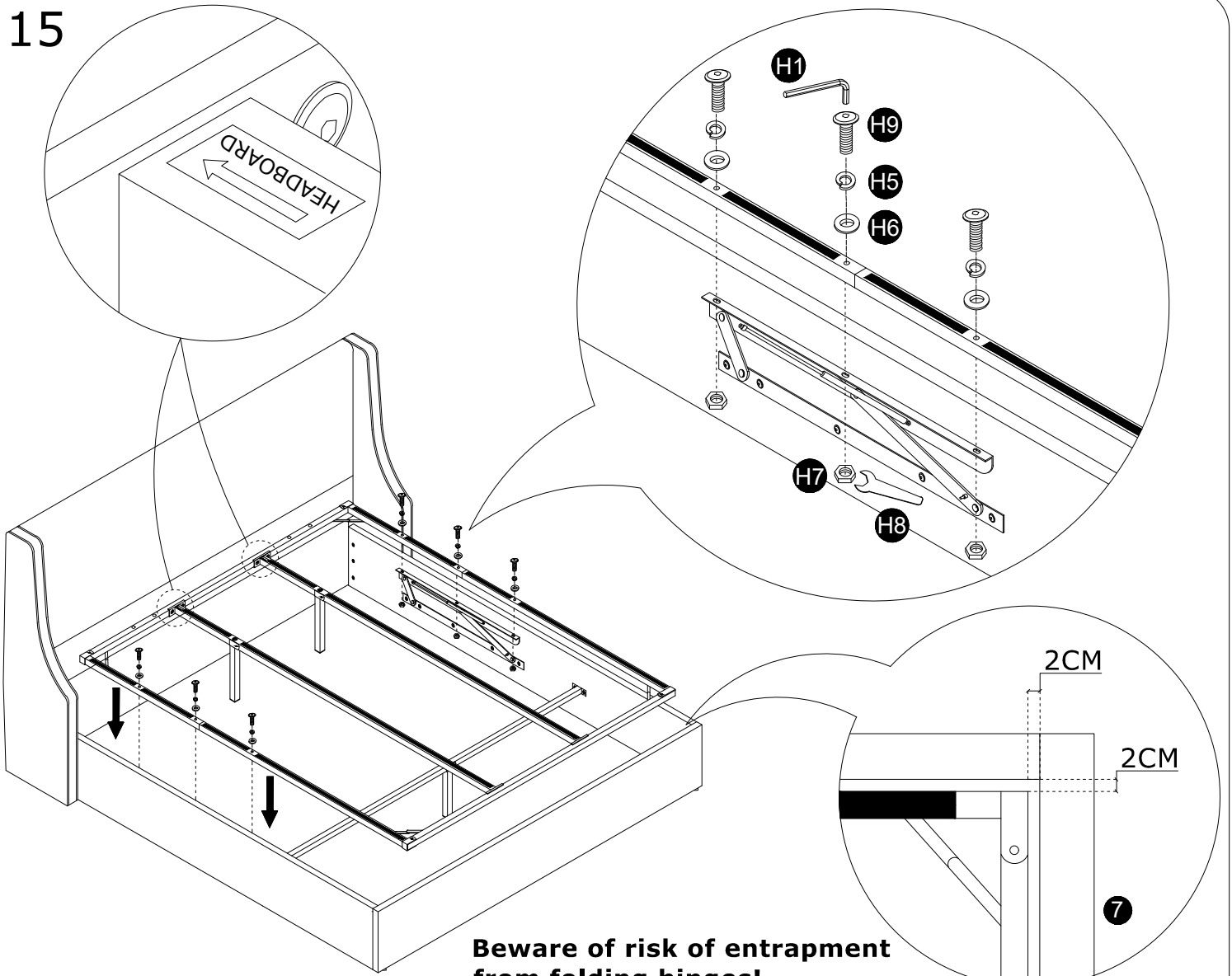
14



Shown upside down

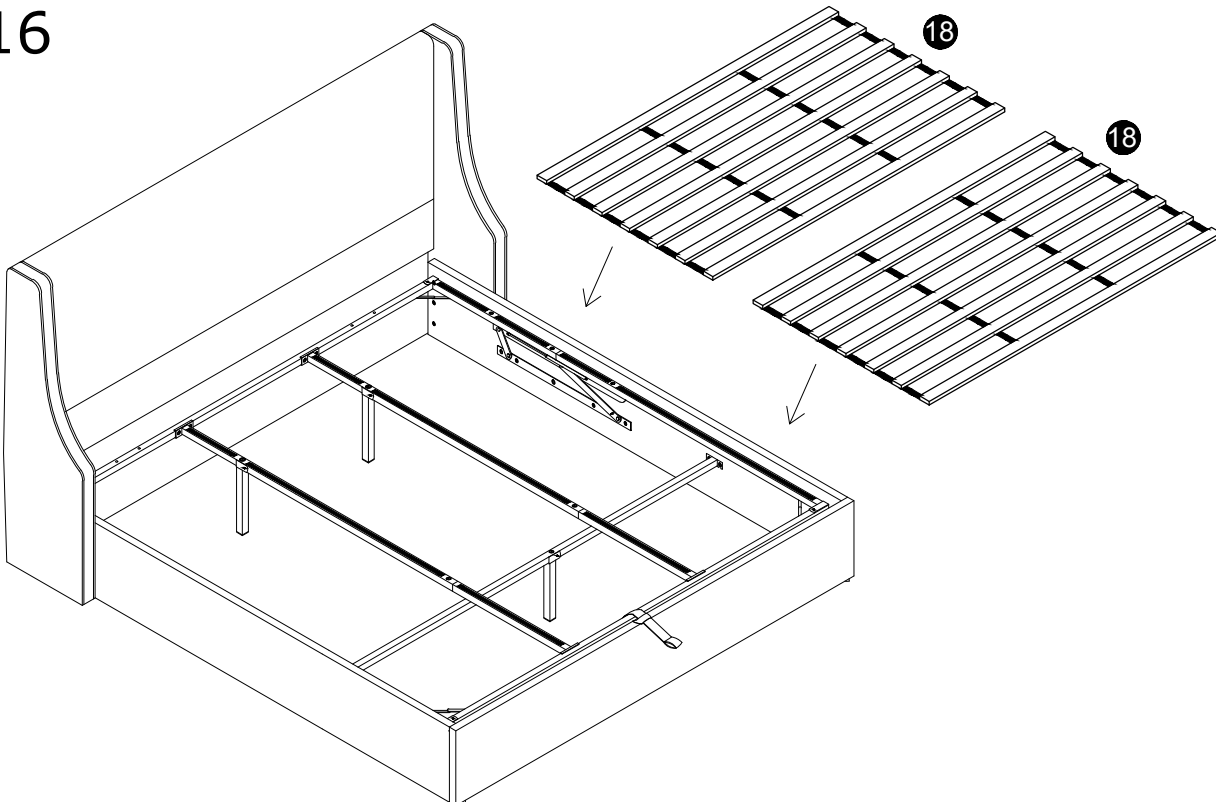


15

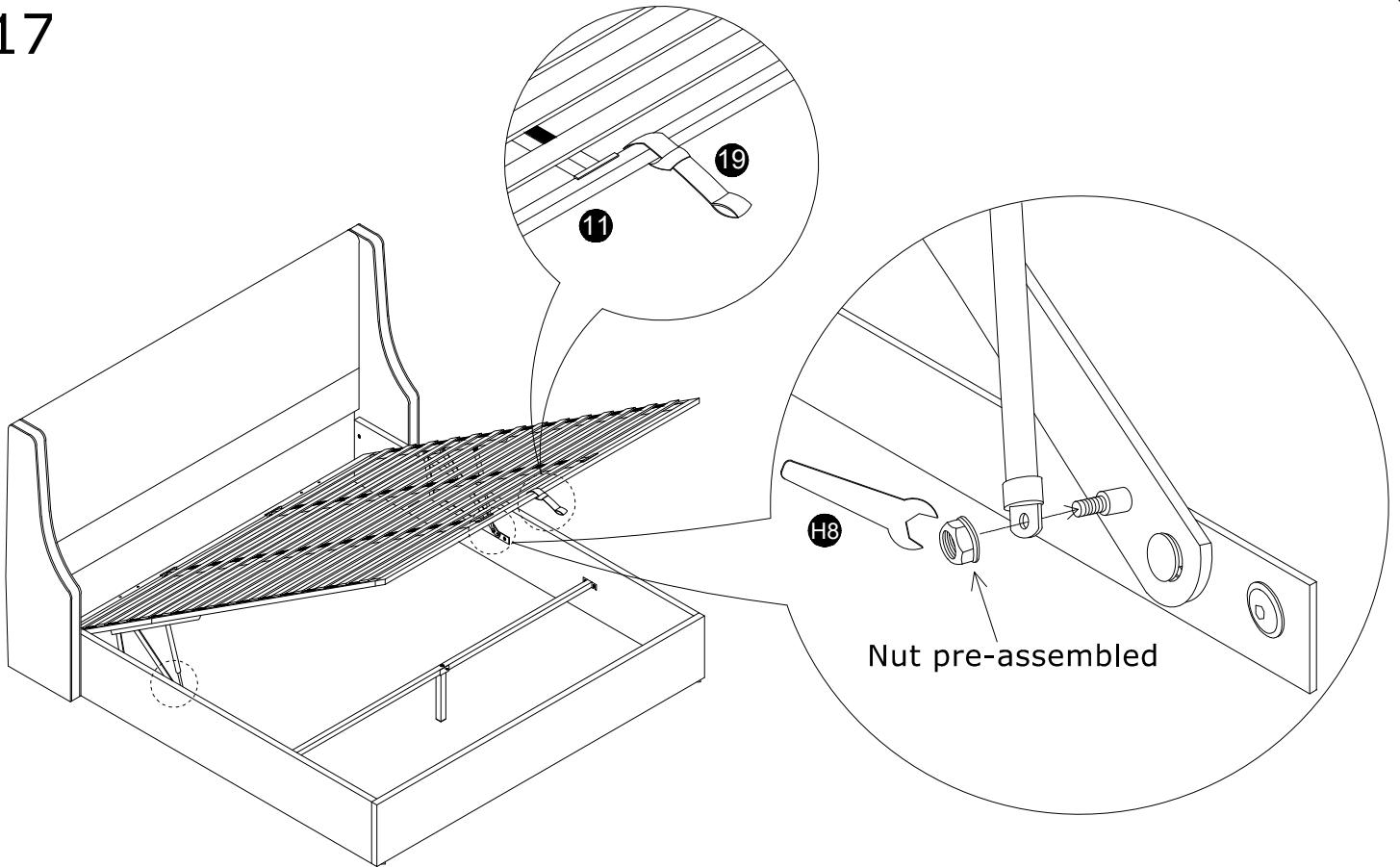


Beware of risk of entrapment from folding hinges!

16

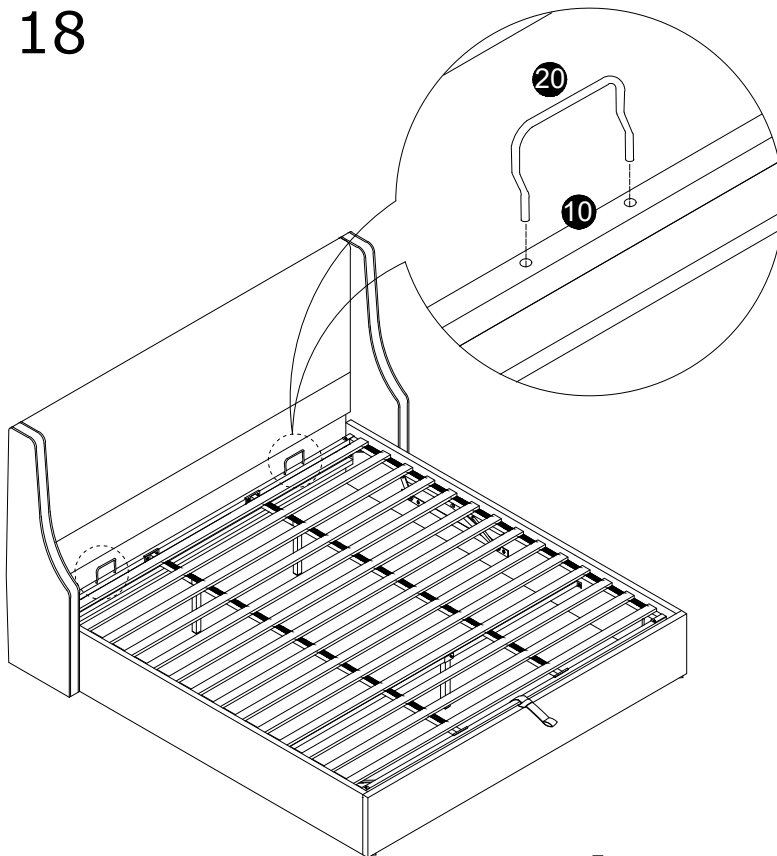


17

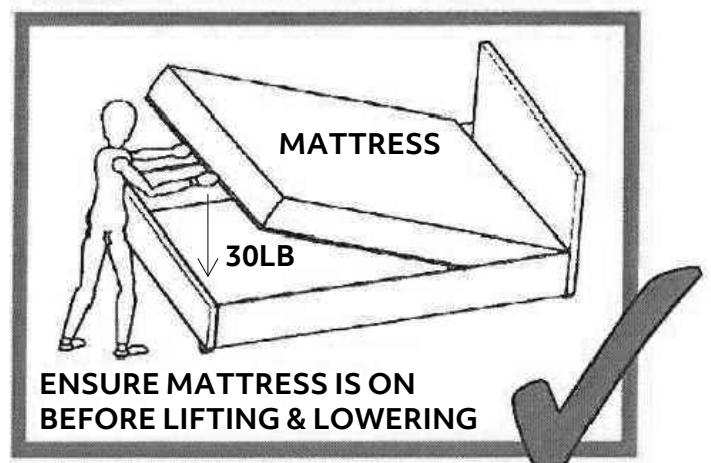


Important: Two people required.
Frame to be fully supported at all times!

18



After placing the mattress on frame,
push down the frame with 30lbs force.



Job Complete !

In the interest of our environment please dispose of all packaging thoughtfully.