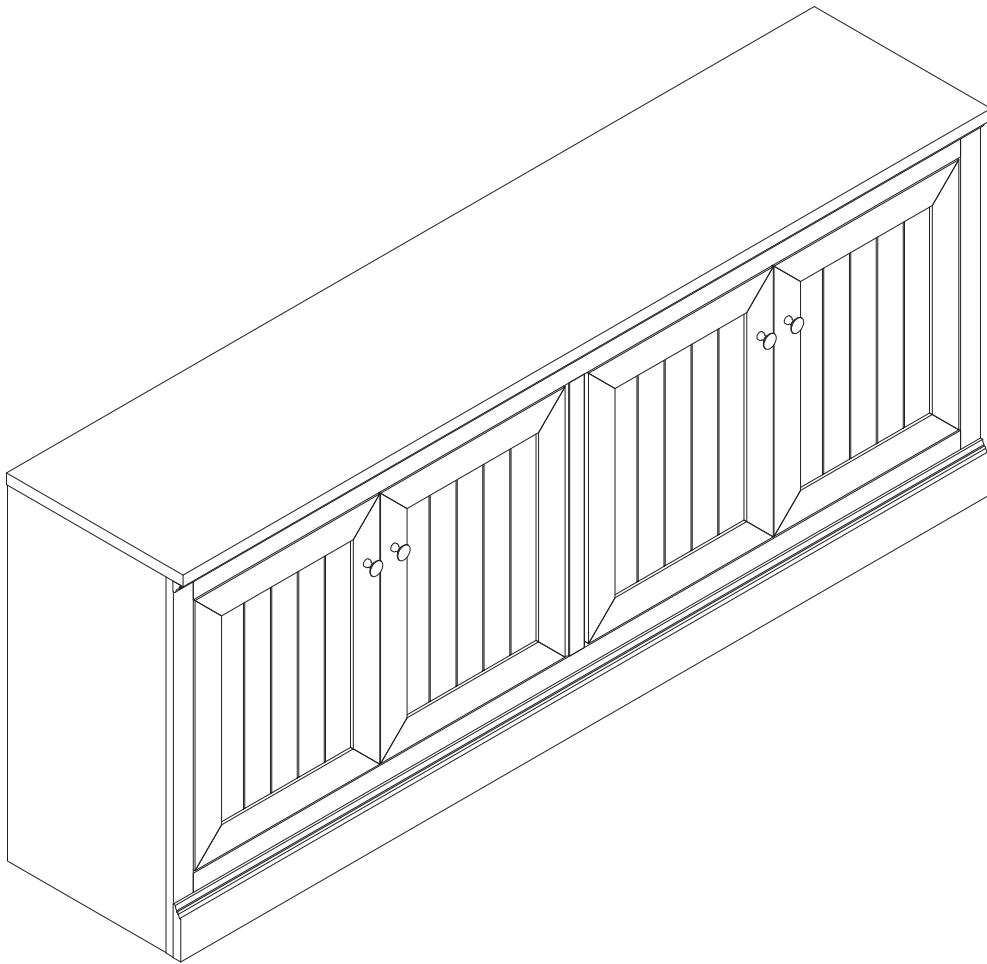


USER'S MANUAL

BORIS SERIES TV STAND



Guide of Manual

- Thanks for your choice. **We will do our best to provide customer service for everyone.**
- Please check to make sure all parts are included as stated when you unpack. If there are parts missing or wrong, please contact us, **we will expeditiously provide reissue accessories, compensation or other services.**
- Instruction should be read carefully. But the manual may not cover every detail of all possible situations and steps. **Please contact us if further information and help are needed. We will respond in a timely manner.**
- **Please be patient that the other items are on the way if you buy more than one product.**

Warning

- It's kindly advised to assemble this product on a carpeted floor to protect it from being scratched.
- Small parts are included. Please keep the product away from children while assembling. Do not let children play or jump on the product. Do not stand on the item or use as a step ladder.
- Please pay attention to the sharp corners during assembly. We recommend the use of gloves to prevent the undesired injury.
- Prior to use, please check to see if there's any loosening screw or part. Make sure that each screw and part is correctly installed and securely fastened.
- It's unnecessary to use electric drill. Please at a low gear if you need.

Care and Maintenance

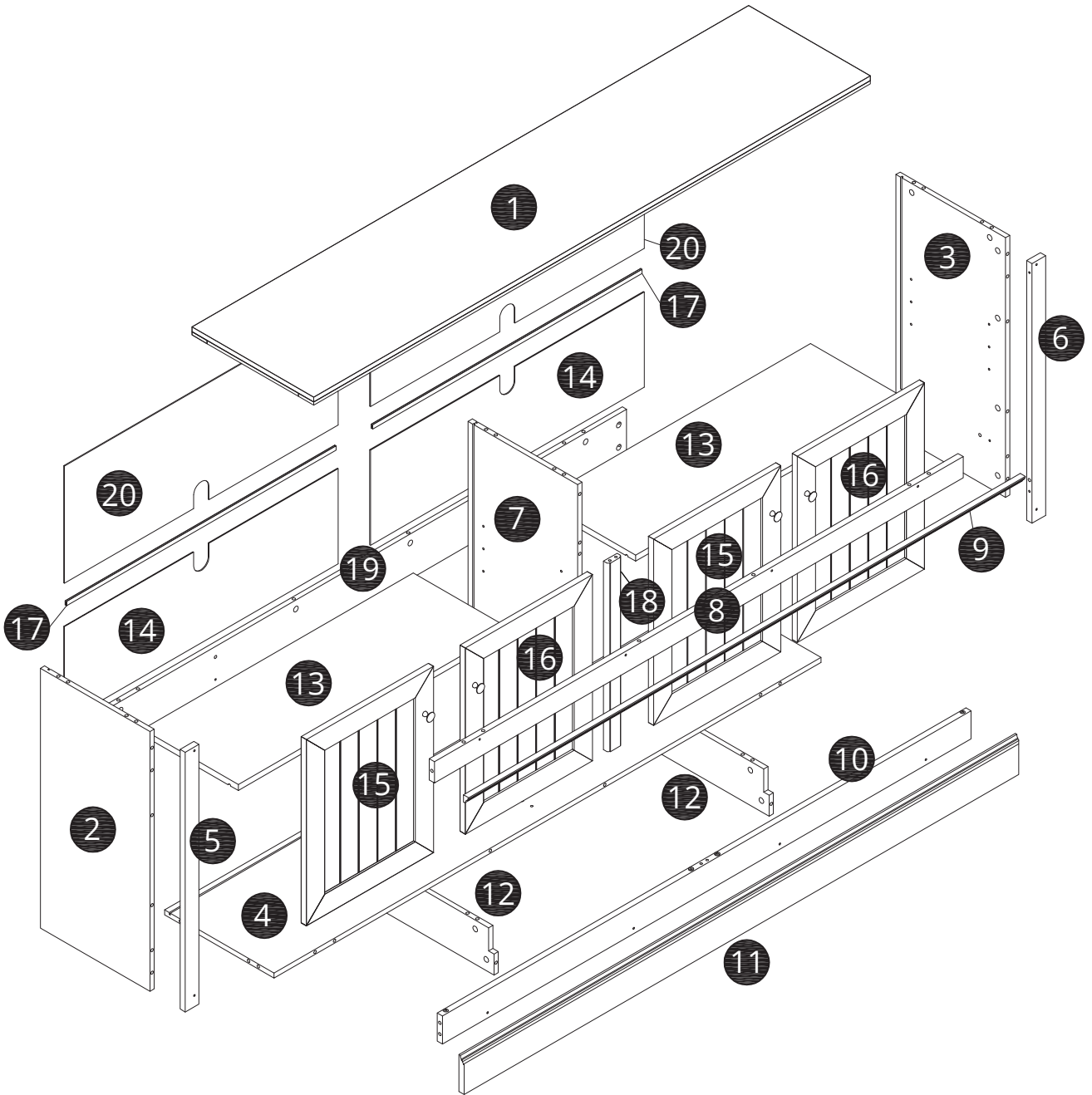
- Use a soft, clean cloth that will not scratch the surface when dusting.
- There' s no need to use furniture polish. If you need, test it first in an inconspicuous area. Using solvents of any kind on your furniture may damage the finish. Never use water to clean your furniture as it may cause damage to the finish.
- Liquid spills should be removed immediately. Gently blot the spill with a soft clean cloth to avoid rubbing.

Further Advice about the Furniture Care

- It is best to keep your furniture in a climate-controlled environment.
- We recommend to keep furniture from sunlight exposure to avoid possible surface damage.
- Following these important and helpful tips will help retain your furniture's performance even when it ages.
- Periodically (every 90 days) make sure the screws are fully tightened.

Max Weight Capacity

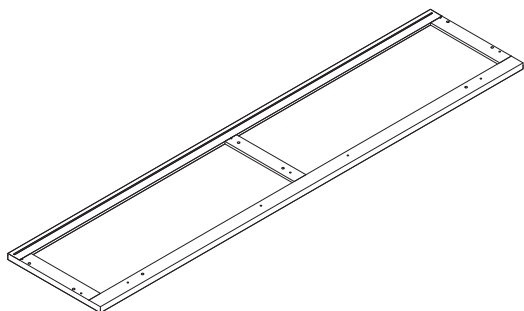
- 250lbs [Do not stand on the item]



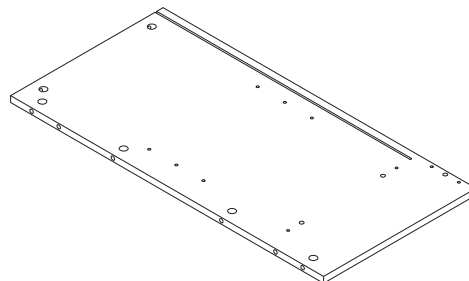
Parts List

Mark sure parts are in the package

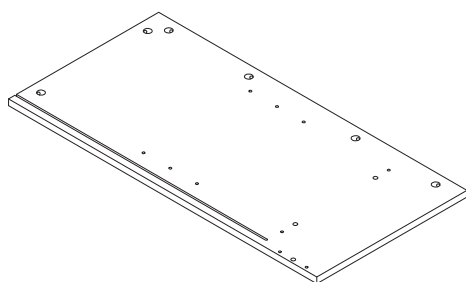
① x1pc
Top panel



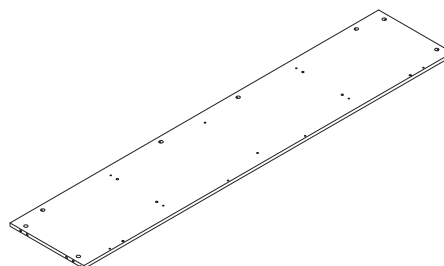
② x1pc
Left side panel



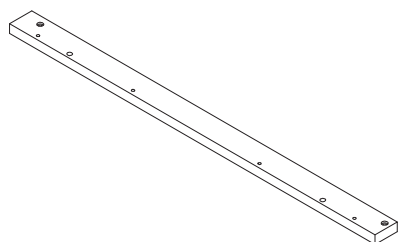
③ x1pc
Right side panel



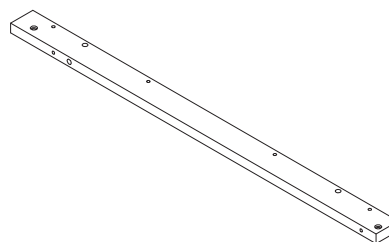
④ x1pc
Bottom panel



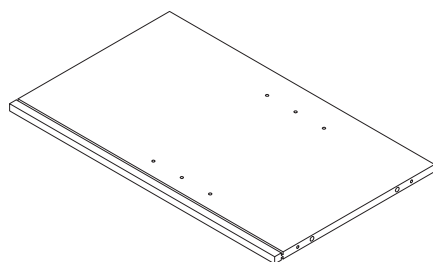
⑤ x1pc
Left front upright



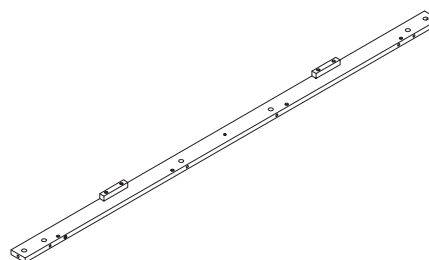
⑥ x1pc
Right front upright



⑦ x1pc
Center panel



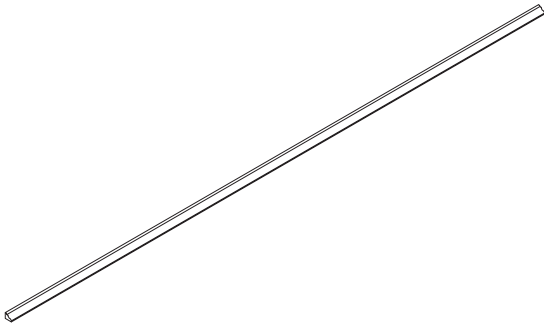
⑧ x1pc
Front upper horizontal



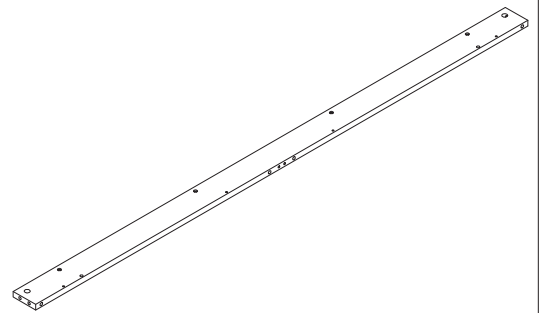
Parts List

Mark sure parts are in the package

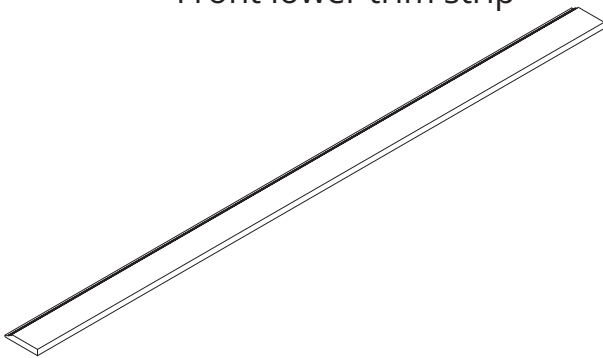
⑨ x1pc
Front upper trim strip



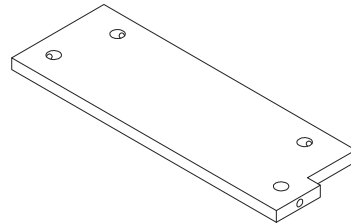
⑩ x1pc
Front lower horizontal



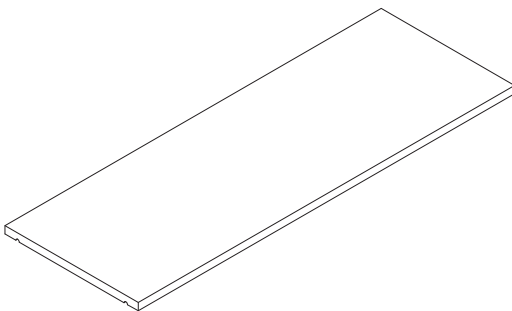
⑪ x1pc
Front lower trim strip



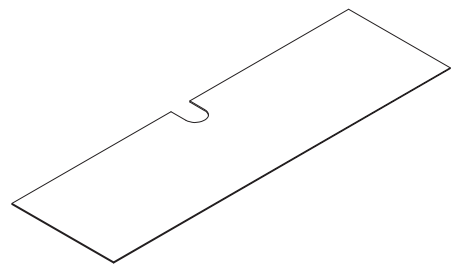
⑫ x2pcs
Center base



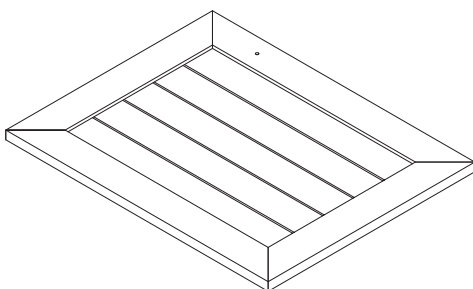
⑬ x2pcs
Adjustable shelf



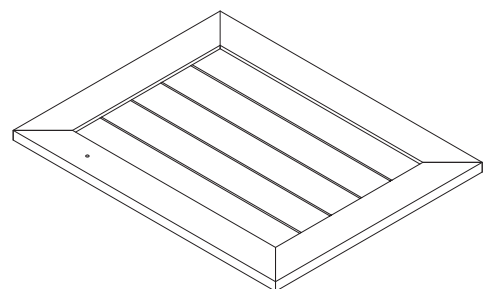
⑭ x2pcs
Back panel



⑮ x2pcs
Left door

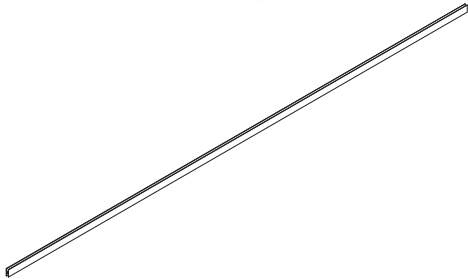
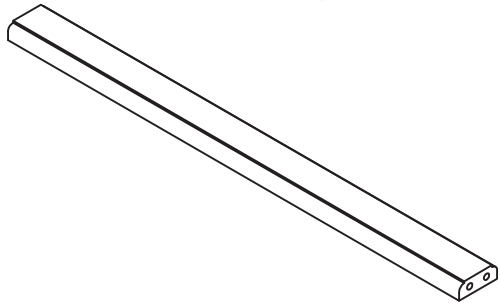
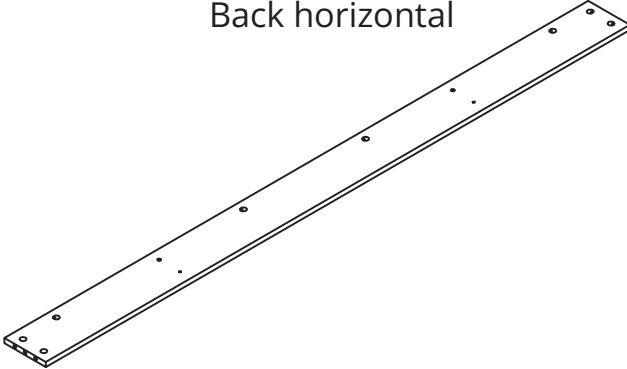
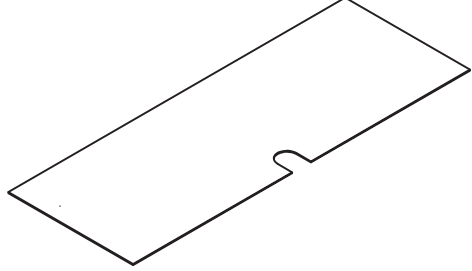


⑯ x2pcs
Right door




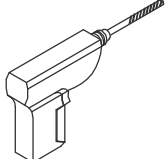
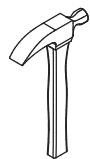
Parts List

Mark sure parts are in the package

<p>(17) x2pcs H-shaped plastic strip</p> 	<p>(18) x1pc Front center post</p> 
<p>(19) x1pc Back horizontal</p> 	<p>(20) x2pcs Upper back panel</p> 

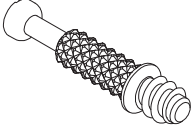


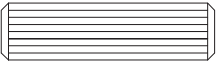

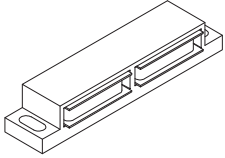
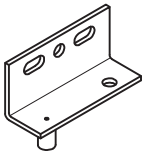
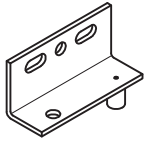

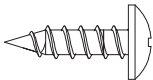
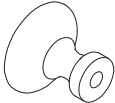
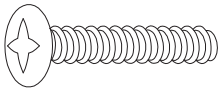
Tools List

The following tools are required for installation. Please have them ready.

<p>Cross-head Screwdriver</p>  <p>Tools required (Not provided)</p>	<p>Drill</p>  <p>Tools required (Not provided)</p>	<p>Hammer</p>  <p>Tools required (Not provided)</p>
--	---	---

Hardware List

"+" in below list indicates that additional pieces are replacement parts"

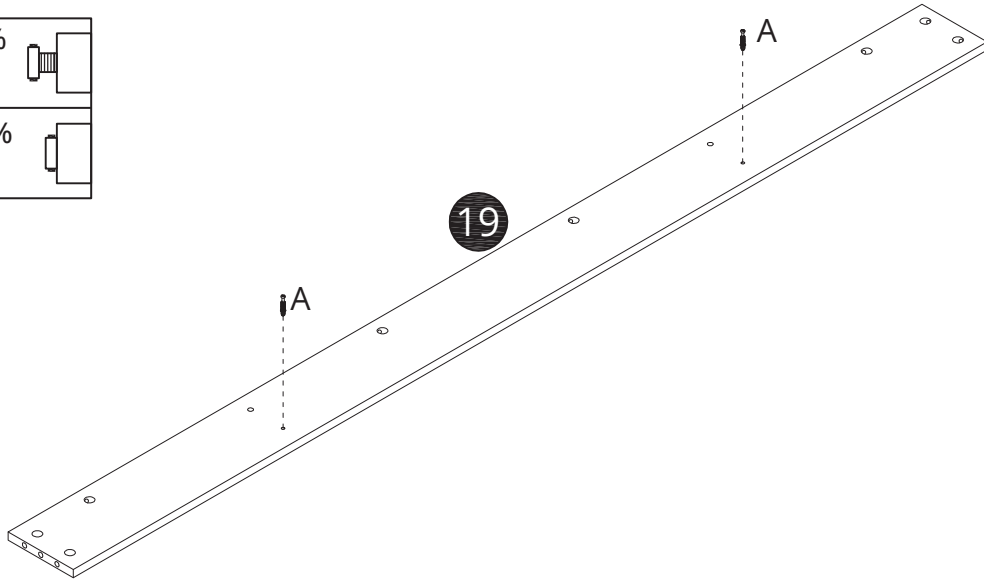
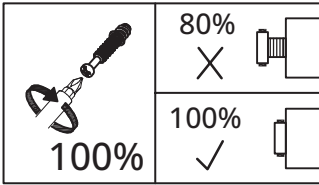
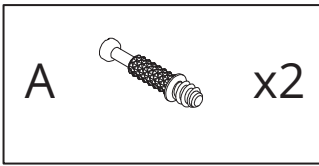
<p>A x48+5pcs</p>  <p>Cam bolt M6*35mm</p>	<p>B x48+5pcs</p>  <p>Cam lock Ø15*11.5mm</p>	<p>C x34+4pcs</p>  <p>Wood dowel Ø8*30mm</p>
<p>D x4+1pcs</p>  <p>Wood dowel Ø6*30mm</p>	<p>E x2pcs</p>  <p>Screw Ø6*50mm</p>	<p>F x2pcs</p>  <p>Magnetic catch 71*15*12.5mm</p>
<p>G x4pcs</p>  <p>Door pivot 40*28*13.5mm</p>	<p>H x4pcs</p>  <p>Door pivot 40*28*13.5mm</p>	<p>I x8pcs</p>  <p>Ø12*9mm</p>
<p>J x20+2pcs</p>  <p>Round head screw Ø3*15mm</p>	<p>K x4pcs</p>  <p>Knob Ø28*24mm</p>	<p>L x4+1pcs</p>  <p>Handle screw 5/32"*22mm</p>

Hardware List

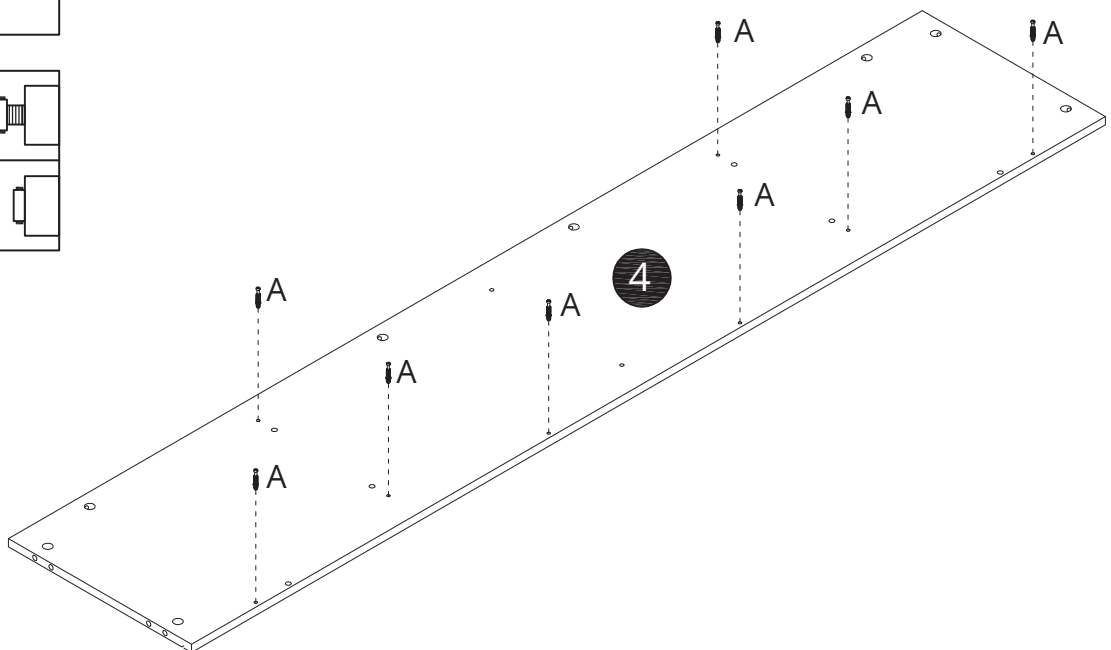
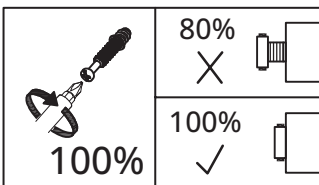
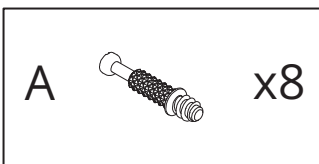
"+ in below list indicates that additional pieces are replacement parts"

<p>M x8+2pcs</p>  <p>Shelf support pin</p>	<p>N x12+2pcs</p>  <p>Round headscrew Ø4*25mm</p>	<p>O x22+2pcs</p>  <p>plastic wedge</p>
<p>P x22+2pcs</p>  <p>Flat head screw Ø3*17mm</p>	<p>Q x4+1pcs</p>  <p>Flat head screw Ø3*15mm</p>	<p>R x2pcs</p>  <p>Wall strap</p>
<p>S x4pcs</p>  <p>Washer Ø16mm</p>	<p>T x2pcs</p>  <p>Wall anchor Ø8*30mm</p>	<p>U x2pcs</p>  <p>Round head screw Ø3*19mm</p>
<p>V x2pcs</p>  <p>Wall screw Ø4*38mm</p>	<p>W x4pcs</p>  <p>Magnetic iron piece 30*22*1mm</p>	<p>X x2pcs</p>  <p>Wood dowel Ø8*20mm</p>

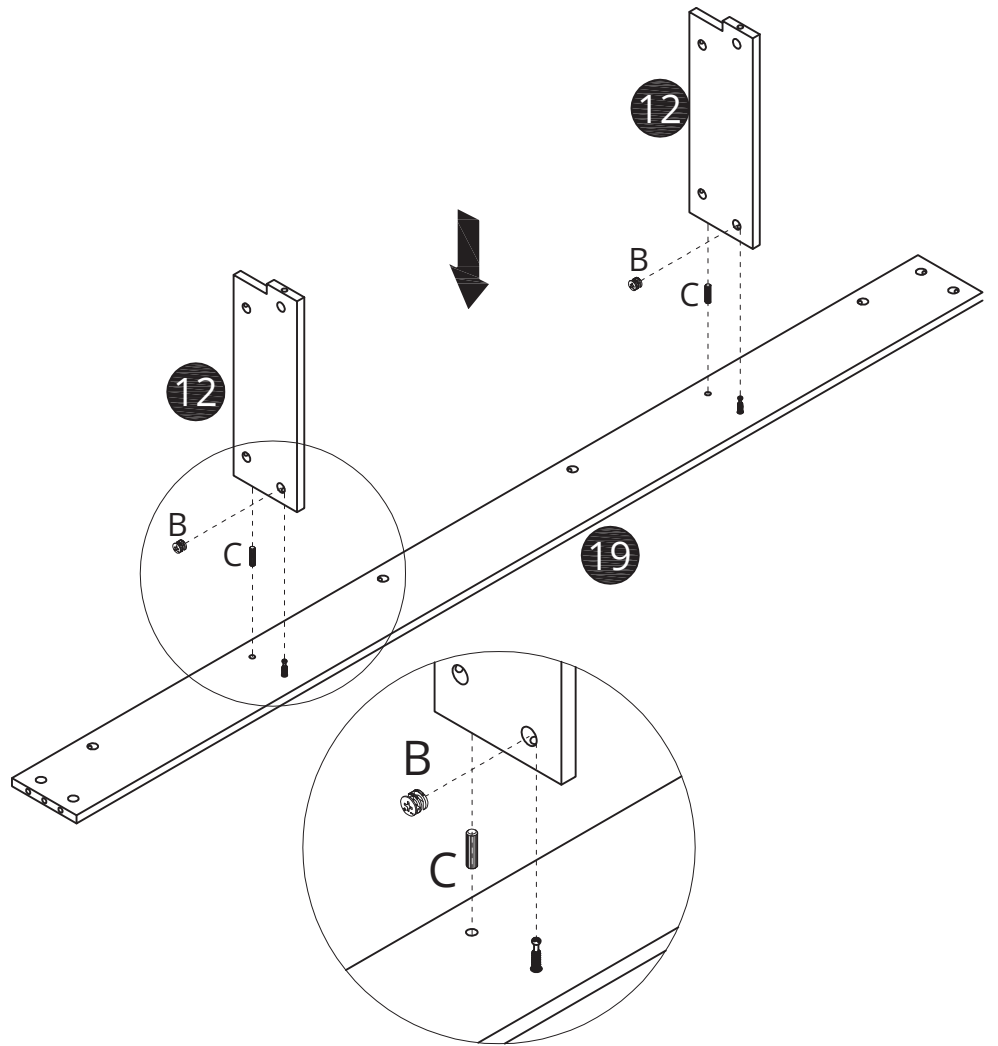
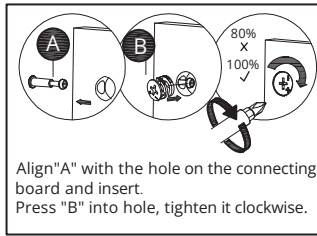
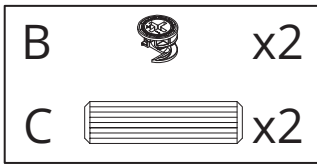
1



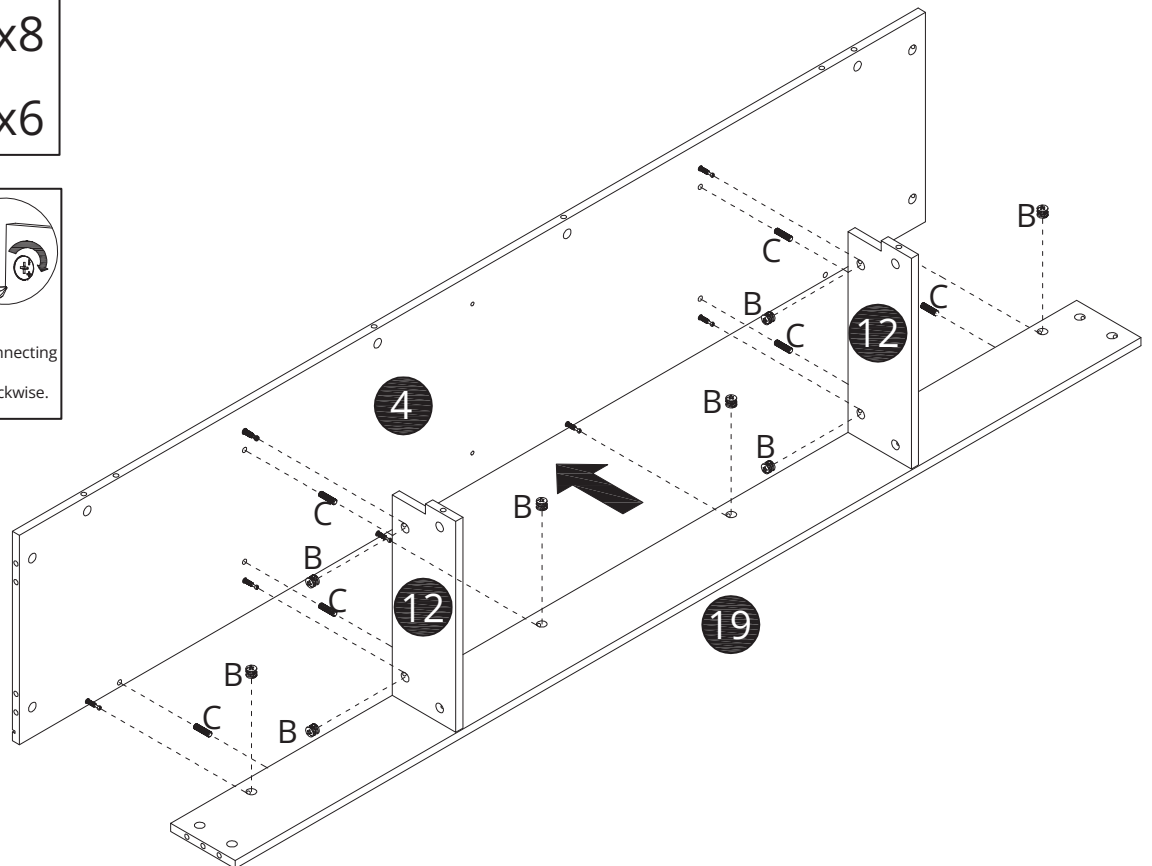
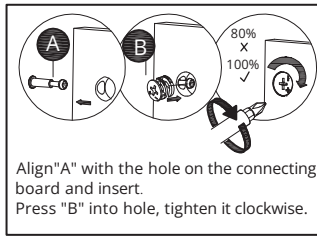
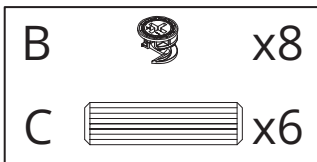
2



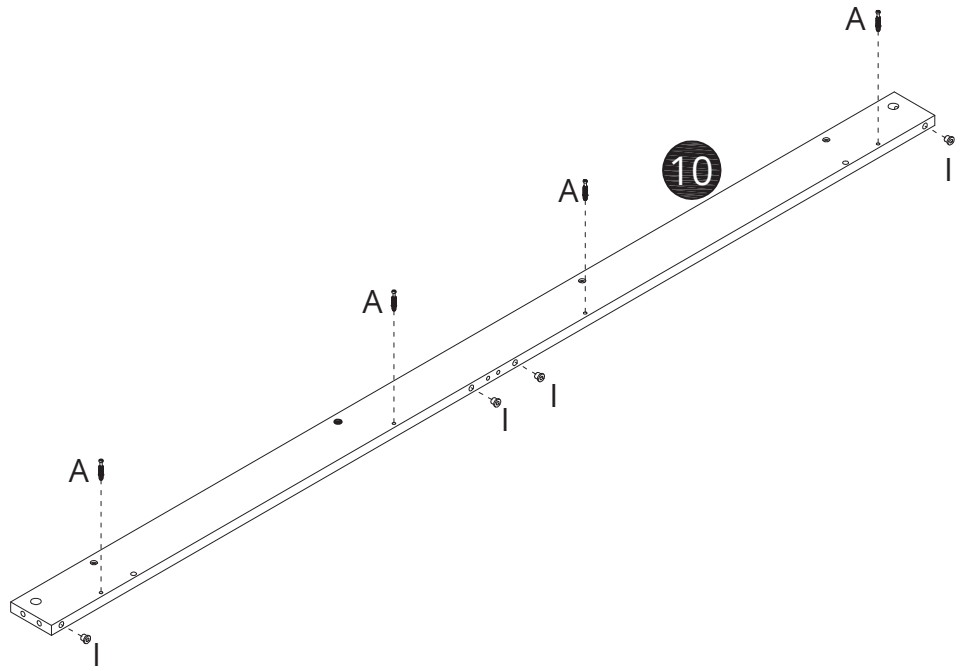
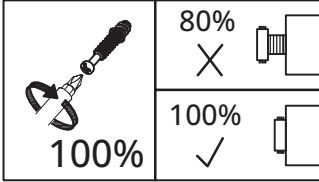
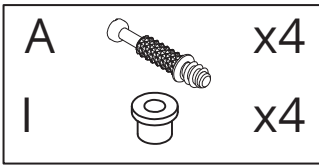
3



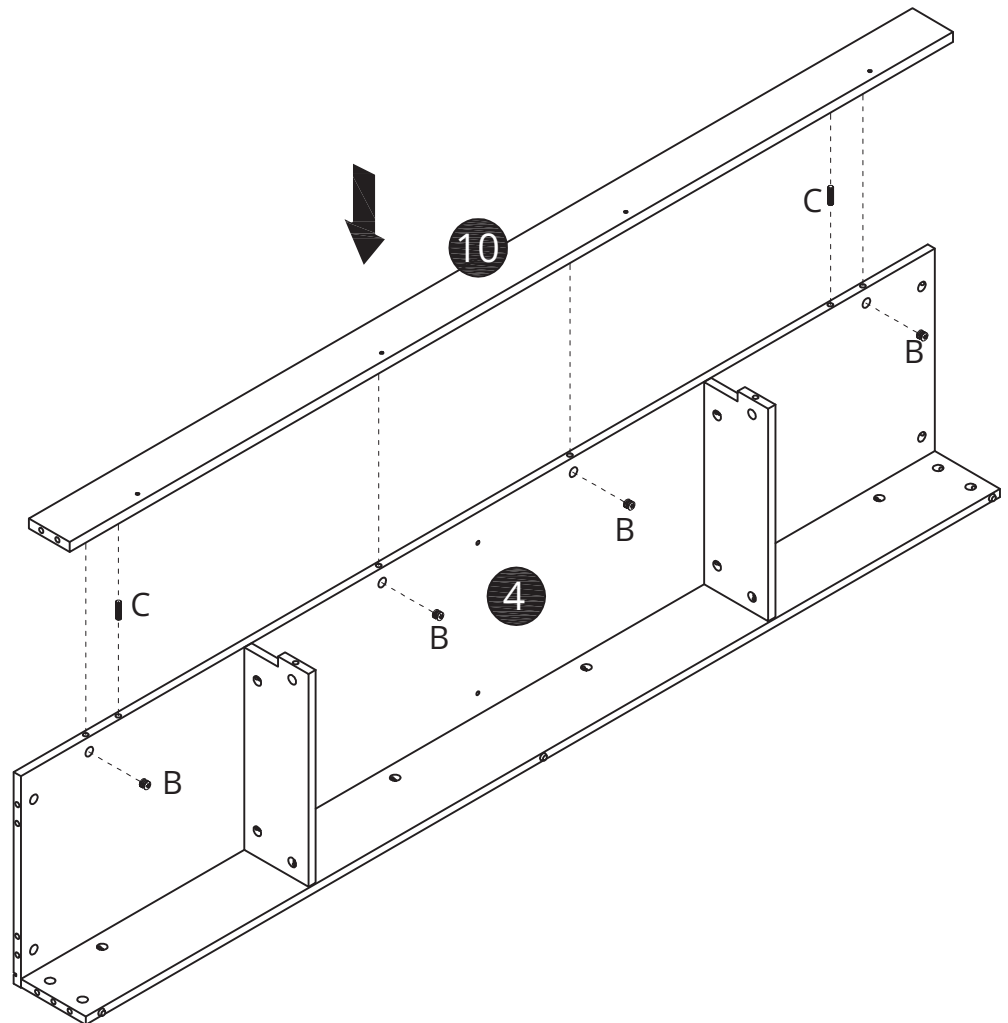
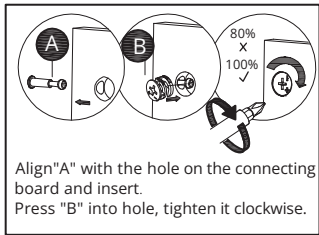
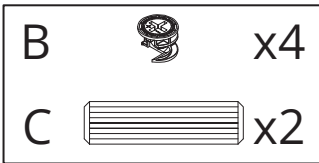
4



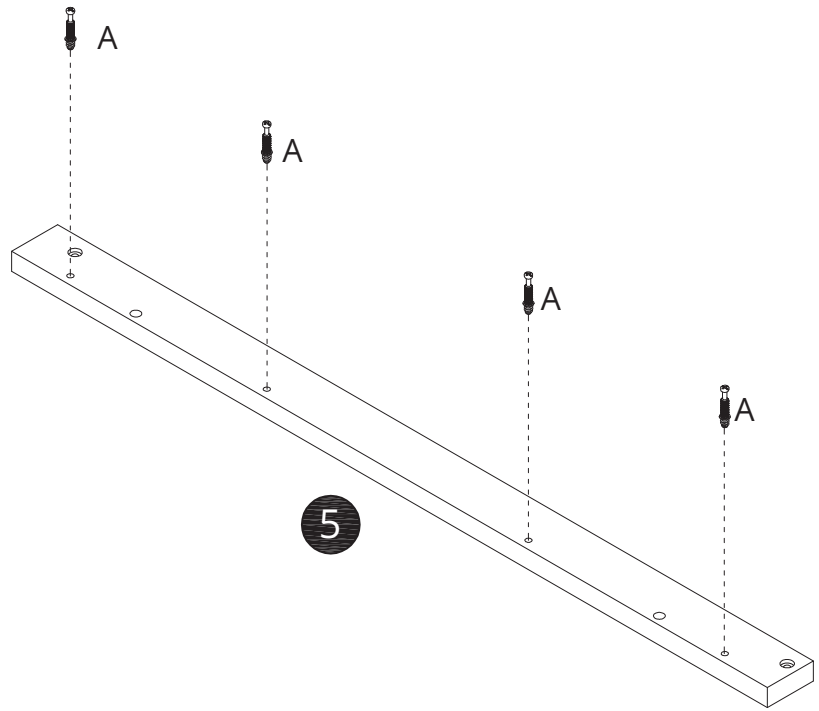
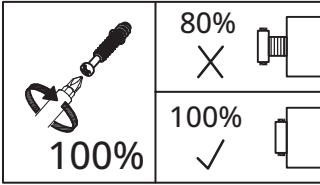
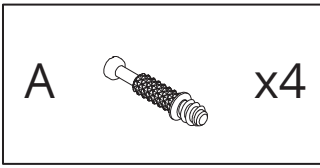
5



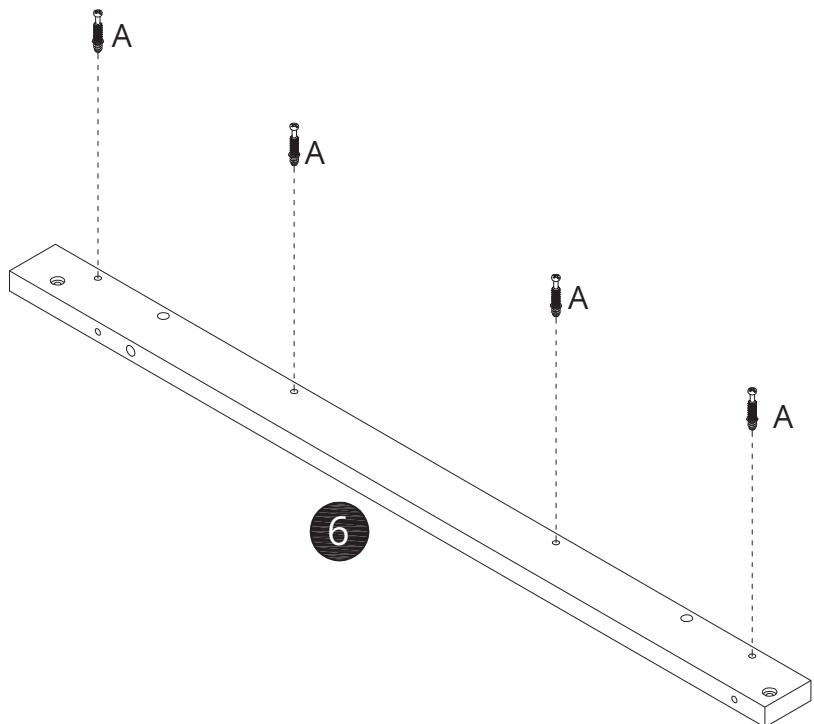
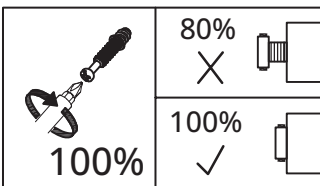
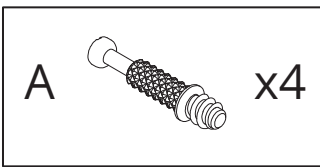
6



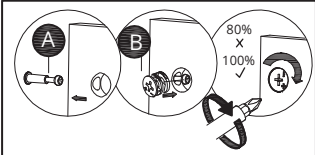
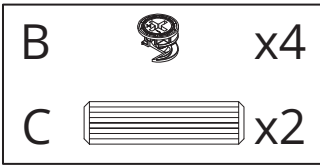
7



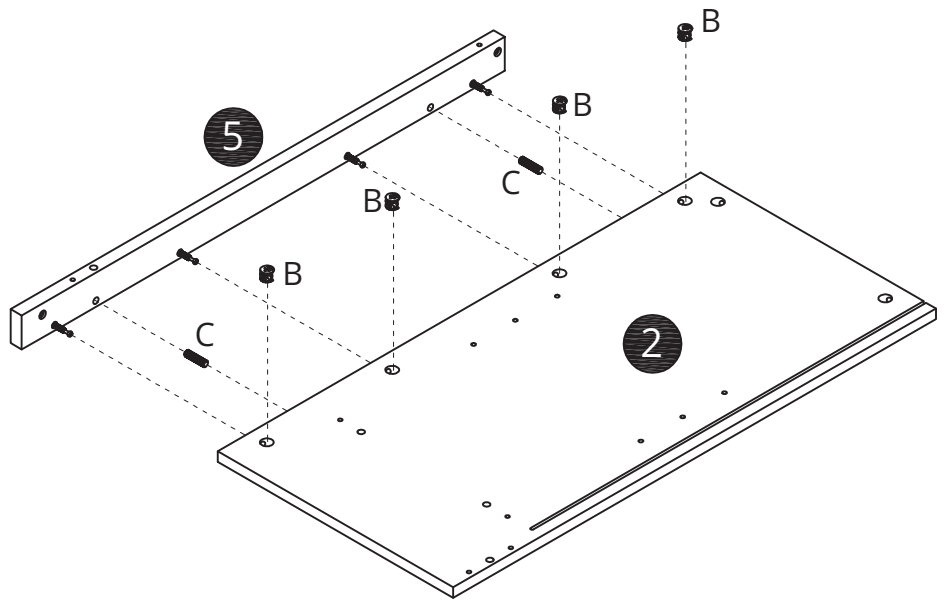
8



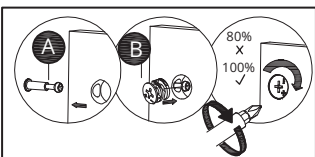
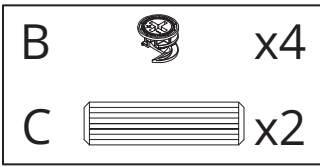
9



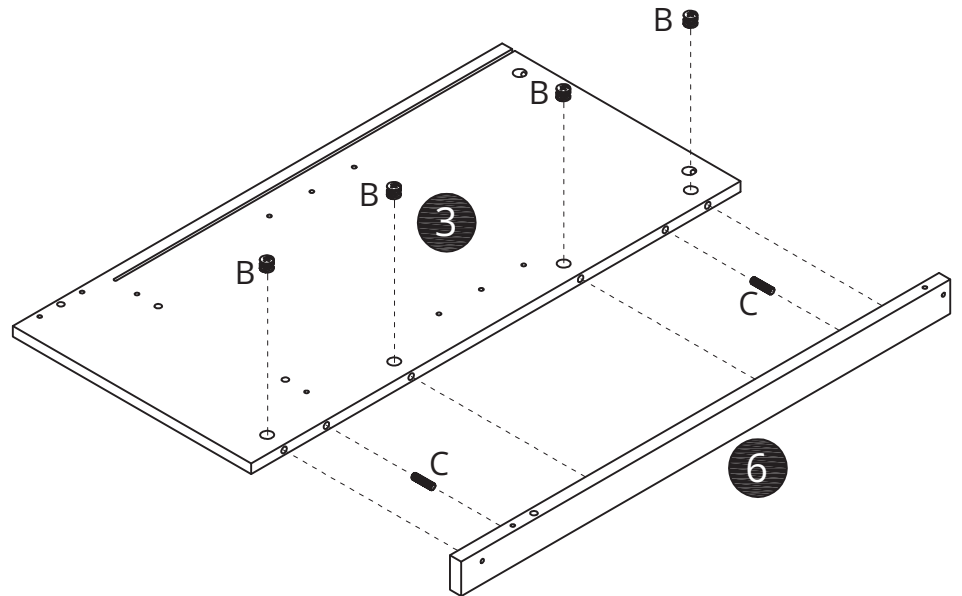
Align "A" with the hole on the connecting board and insert.
Press "B" into hole, tighten it clockwise.



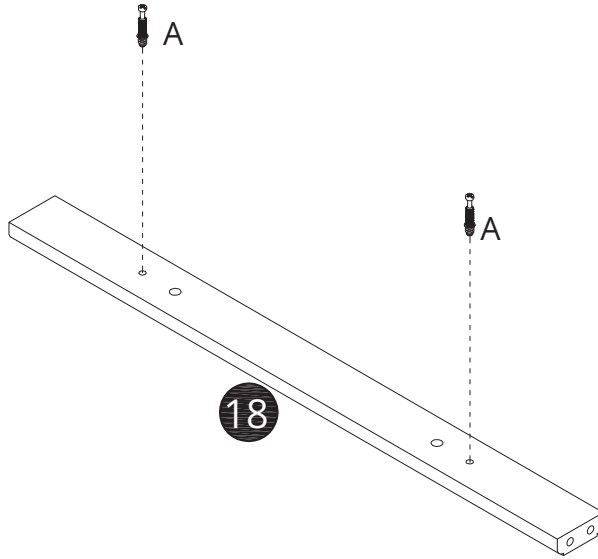
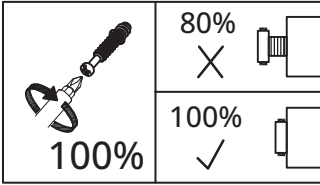
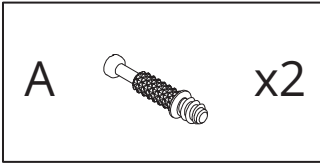
10



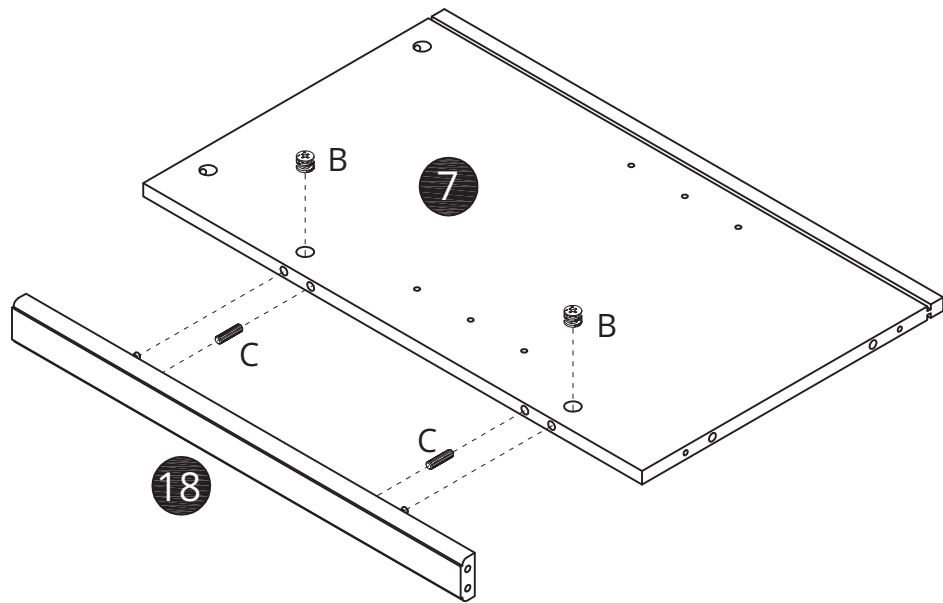
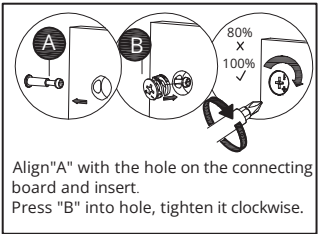
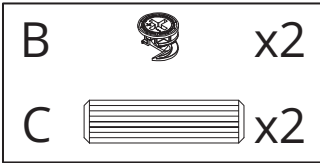
Align "A" with the hole on the connecting board and insert.
Press "B" into hole, tighten it clockwise.






11

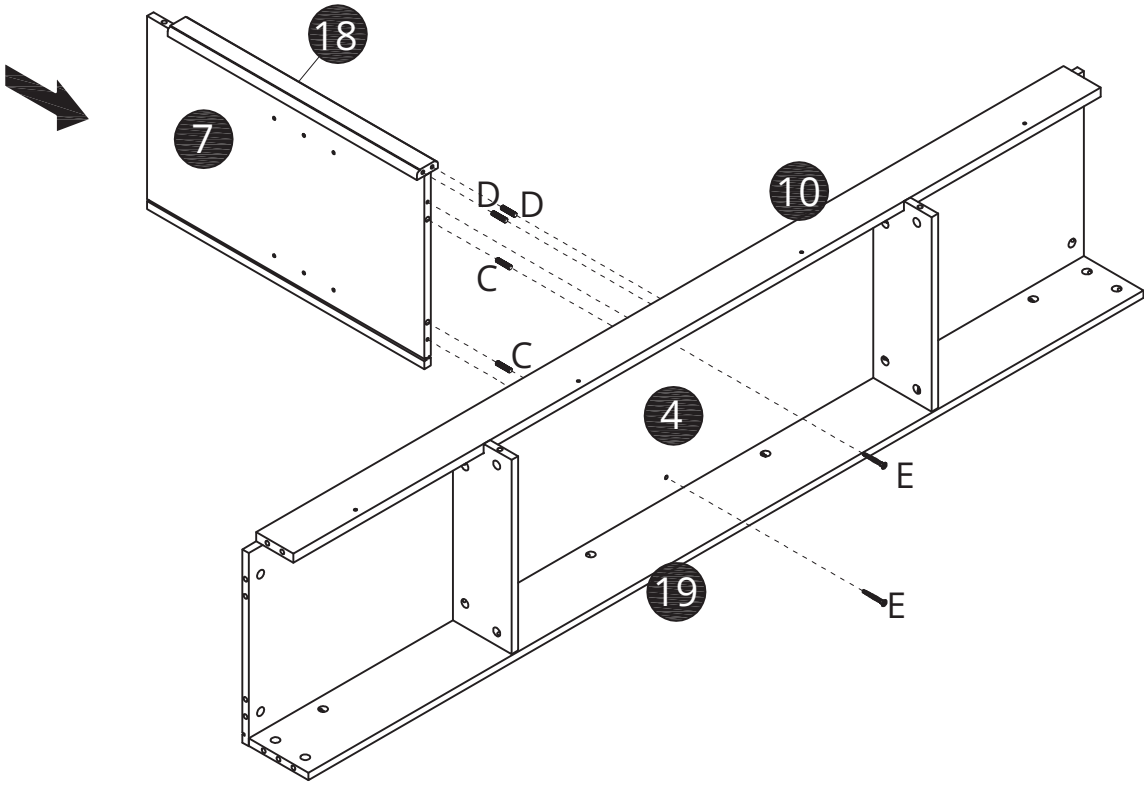
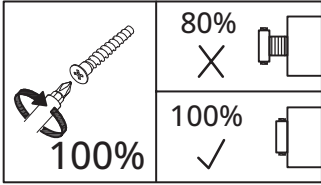


12


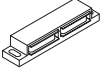






13

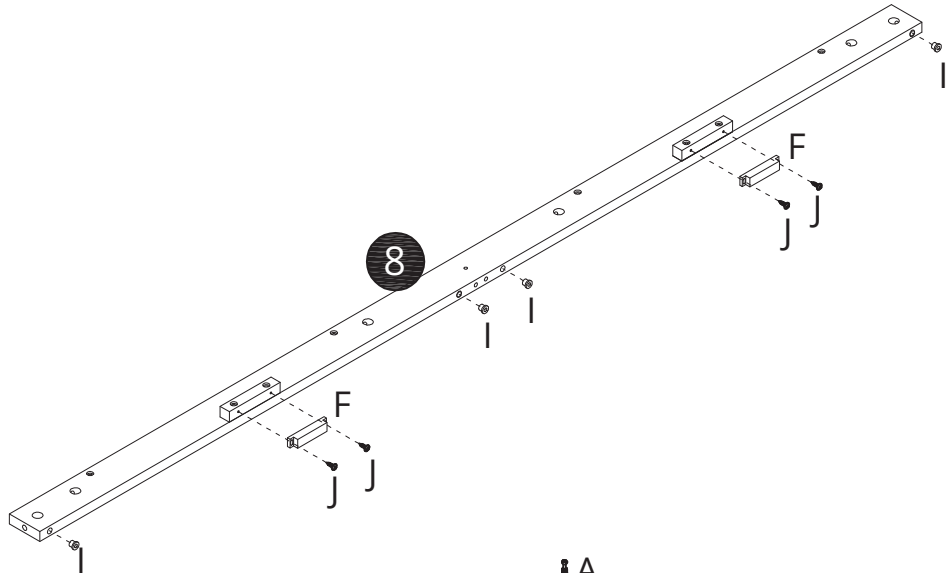
- E  x2
- C  x2
- D  x2




14




I		x4
F		x2
J		x4

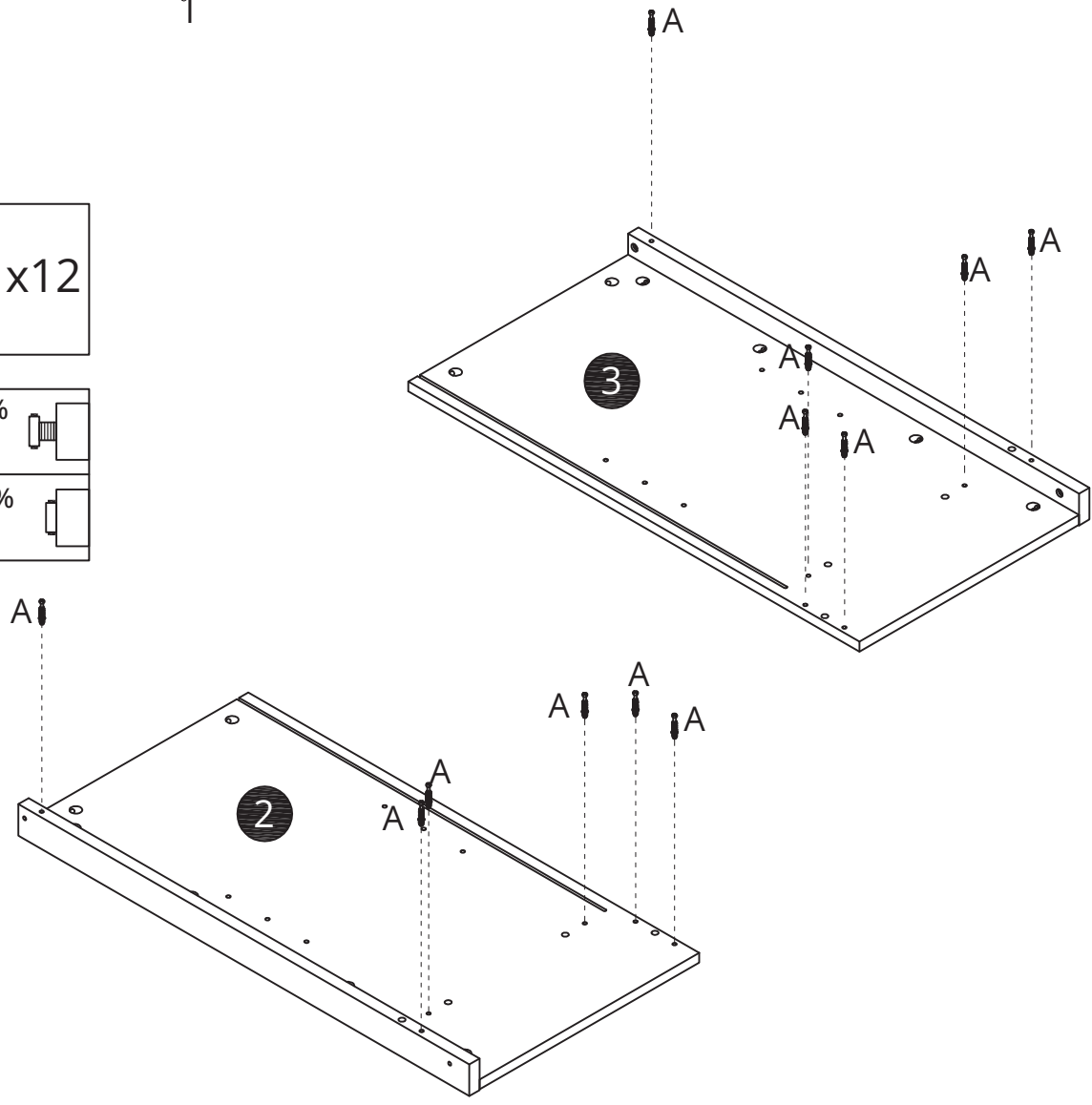
	80% X	
	100% ✓	



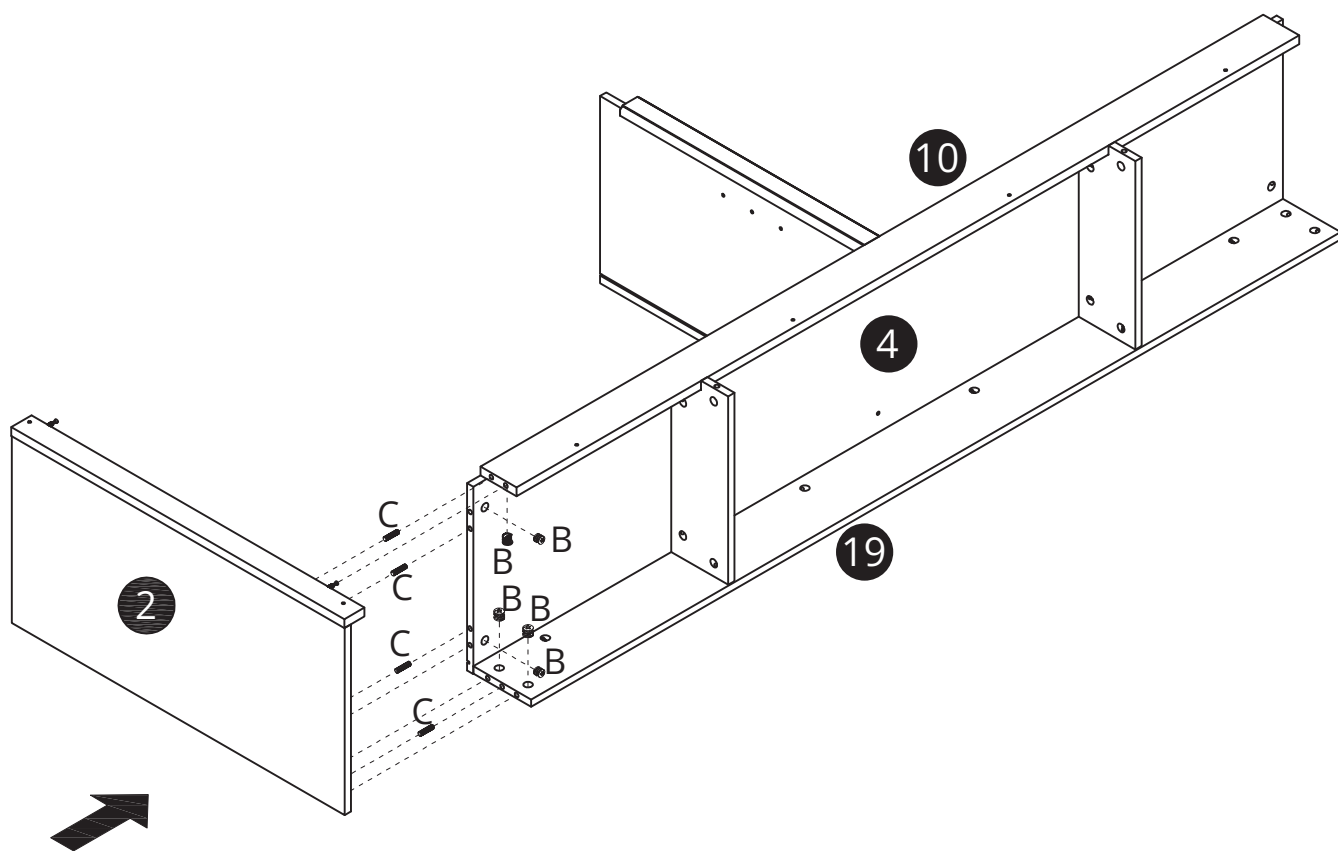
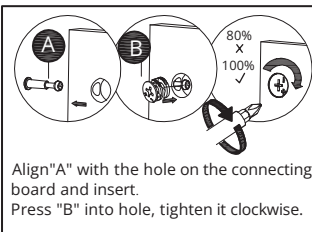
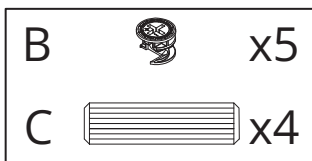
15

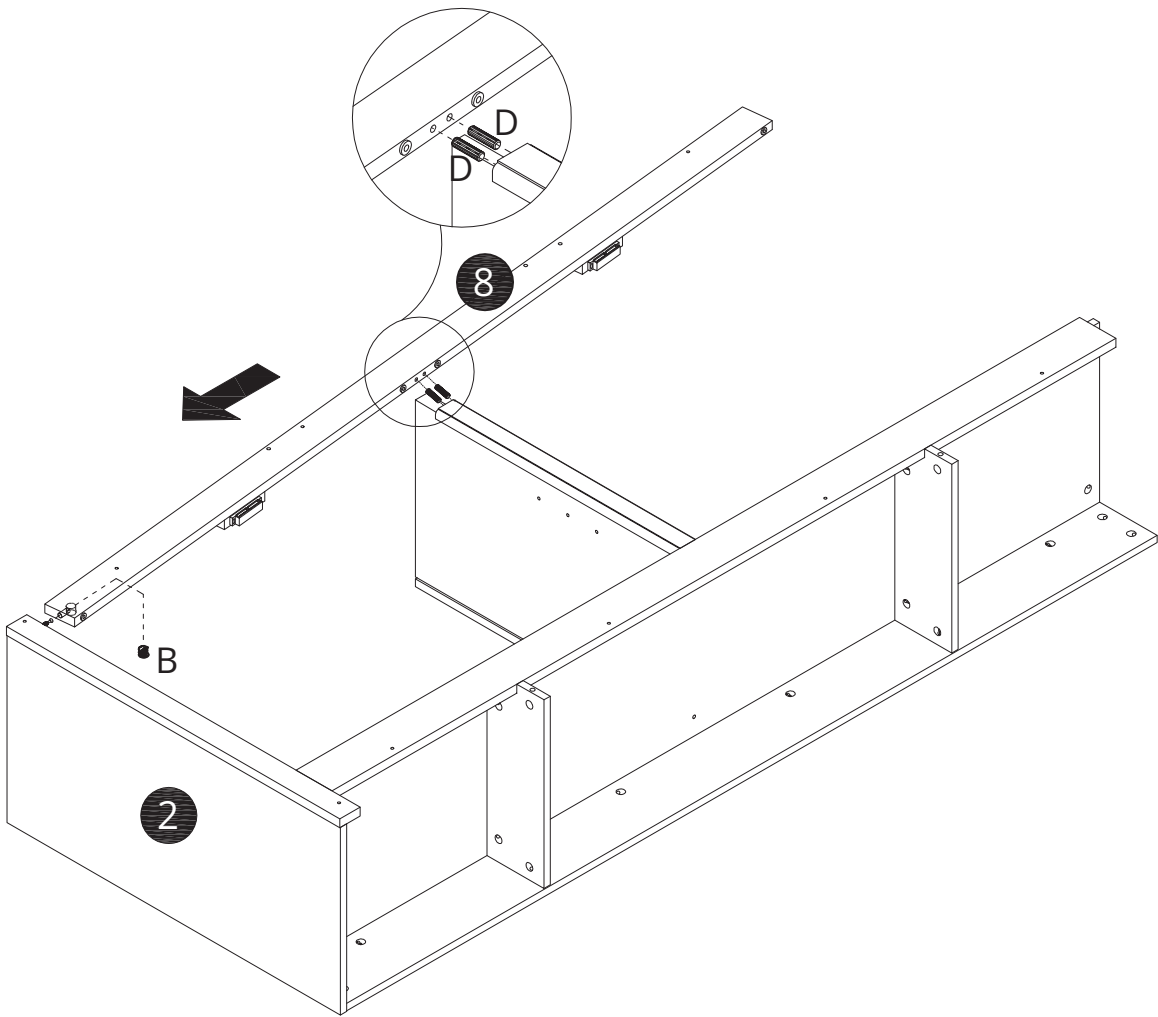
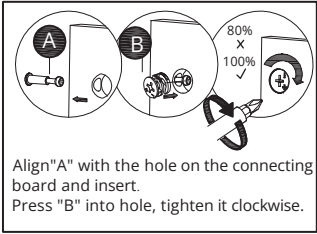
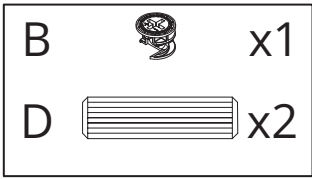
A		x12
---	---	-----

	80% X	
	100% ✓	







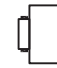
16

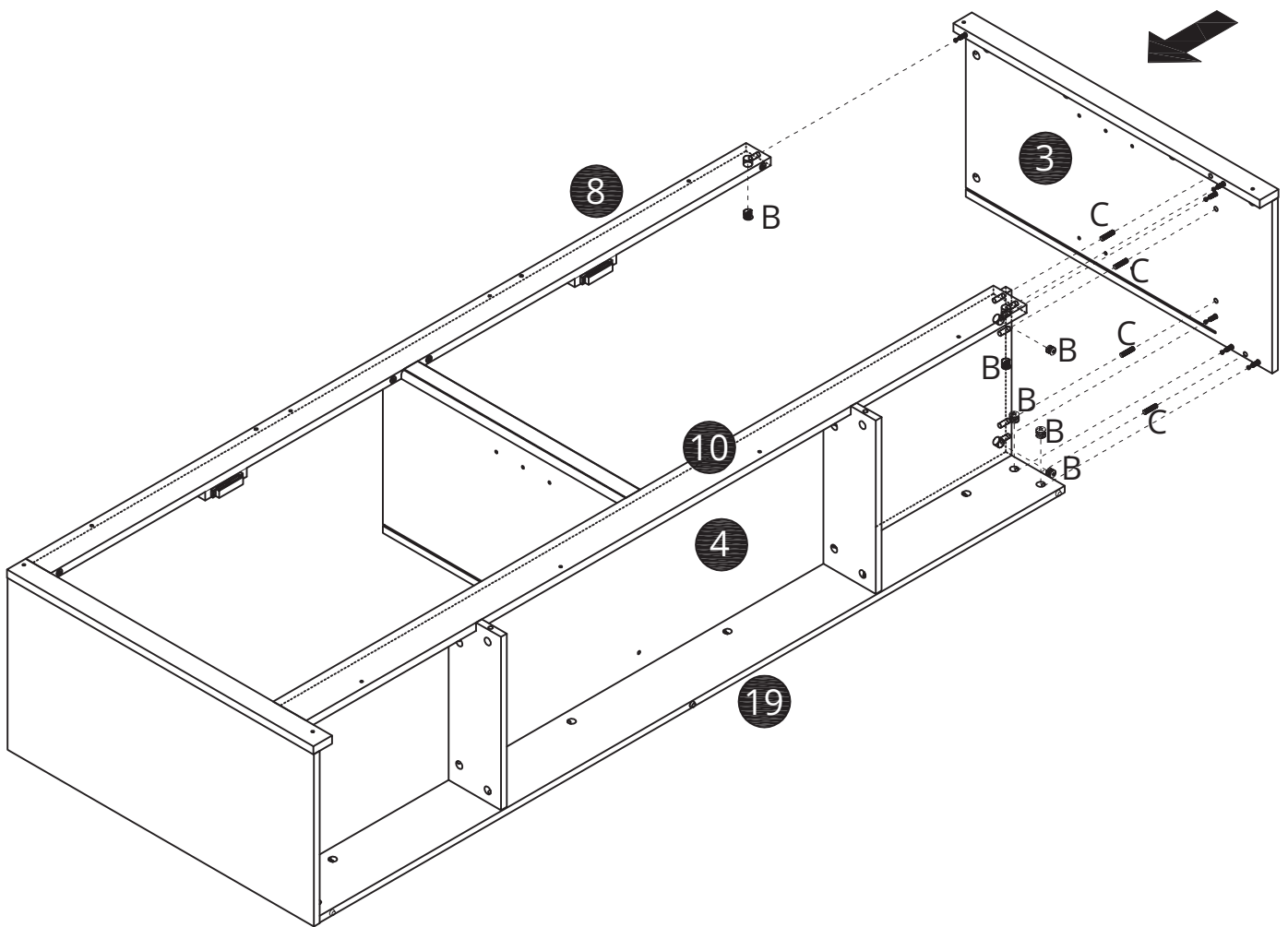






18


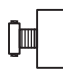

B		x6
C		x4

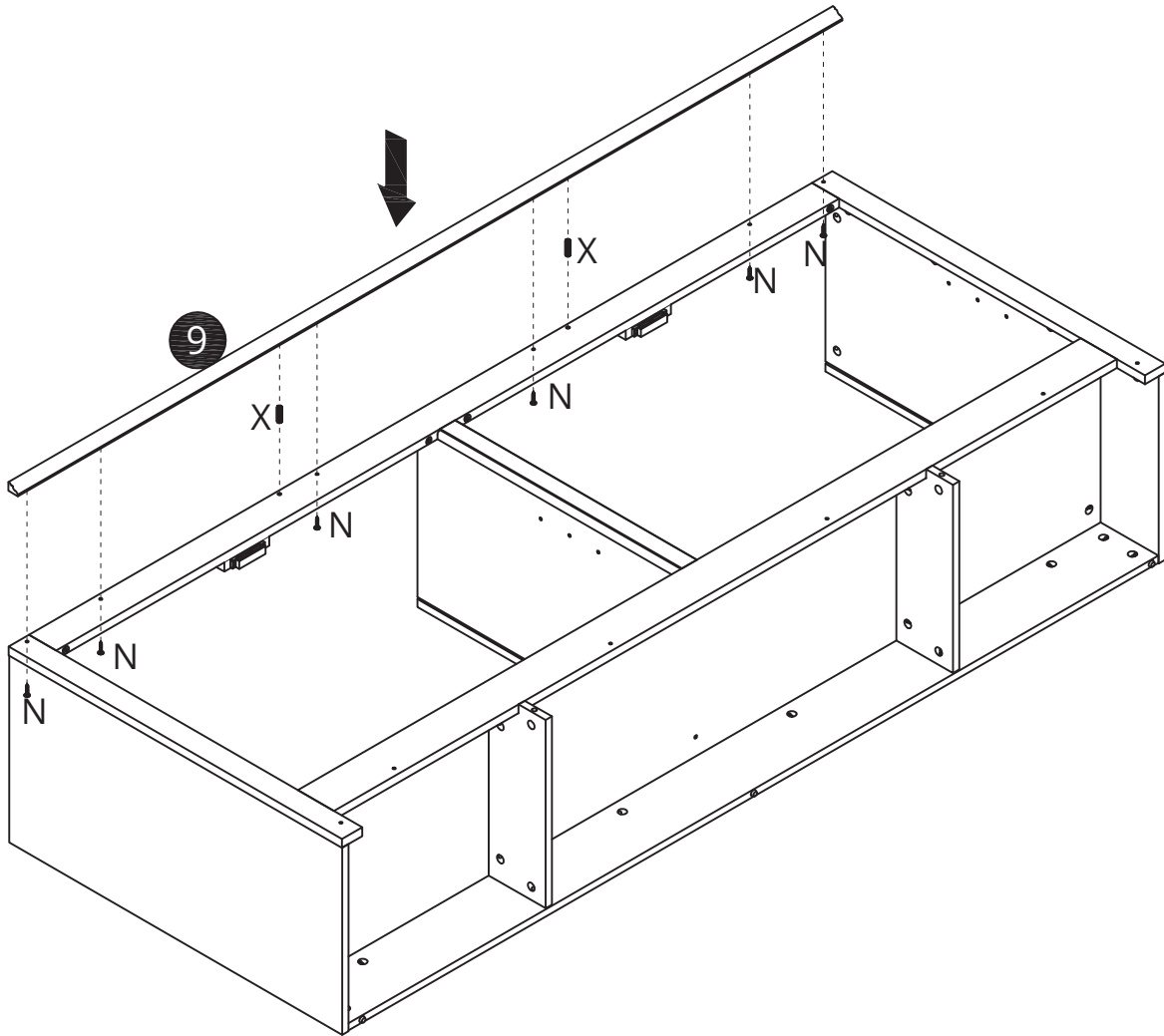
	80% X	
	100% ✓	



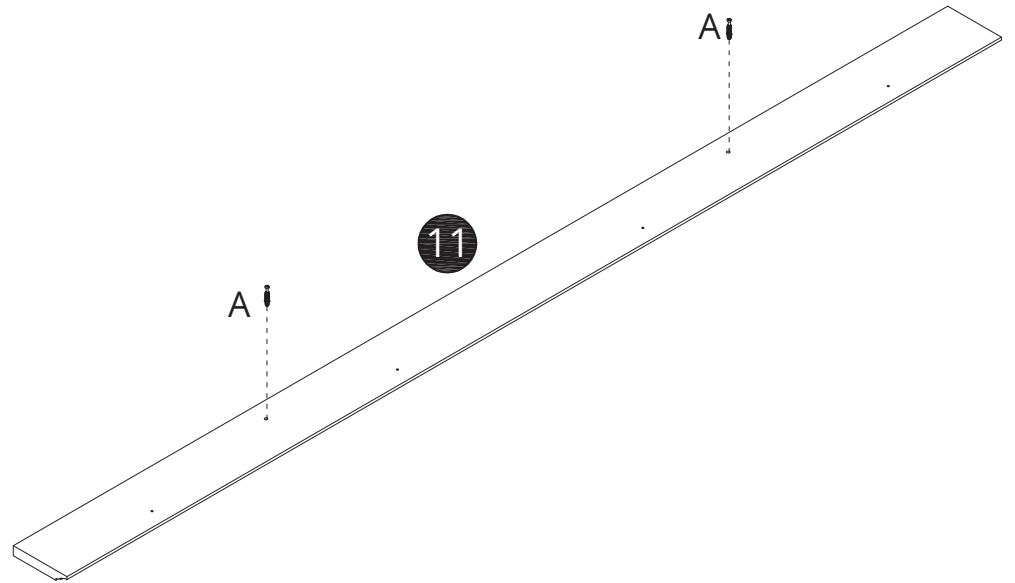
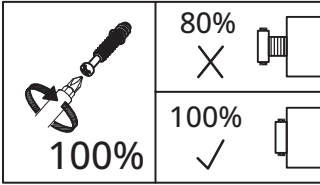
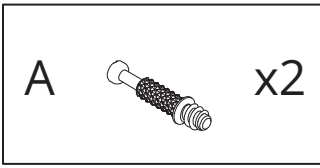
19

N		x6
X		x2

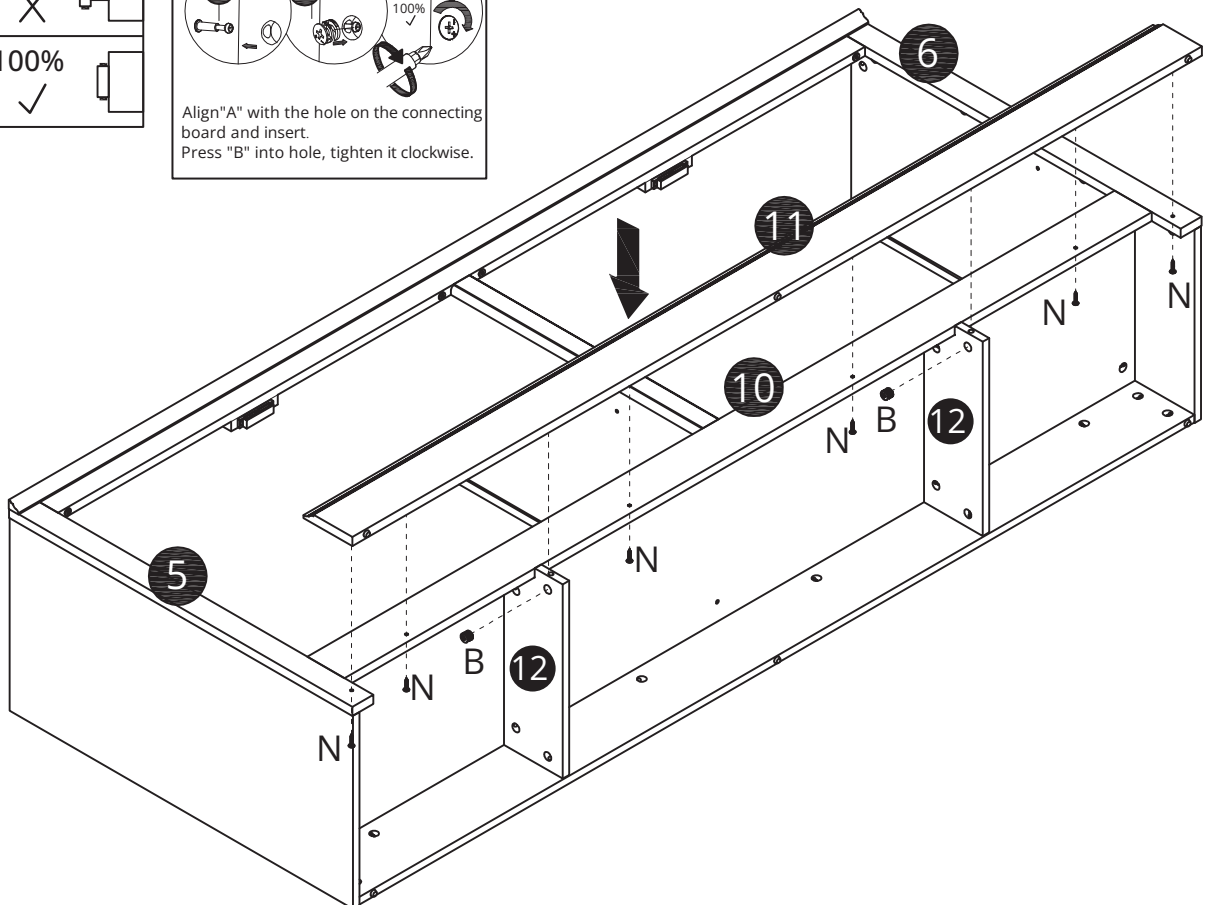
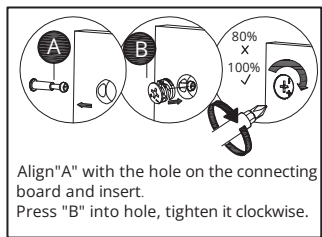
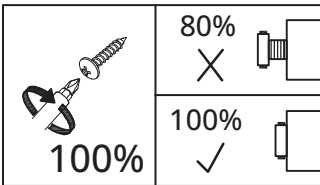
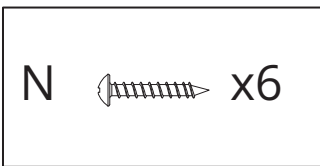
	80%	
	100%	

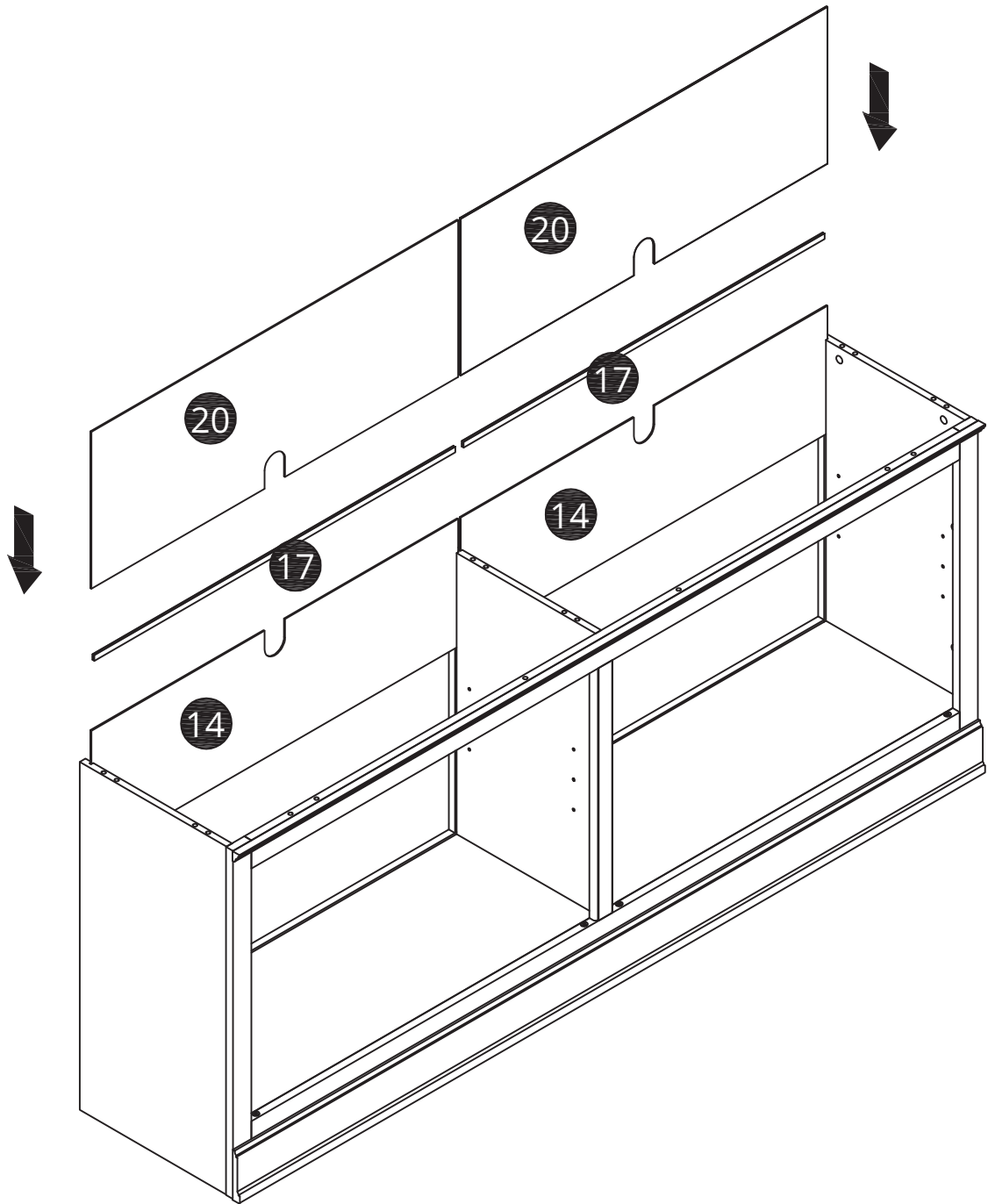


20

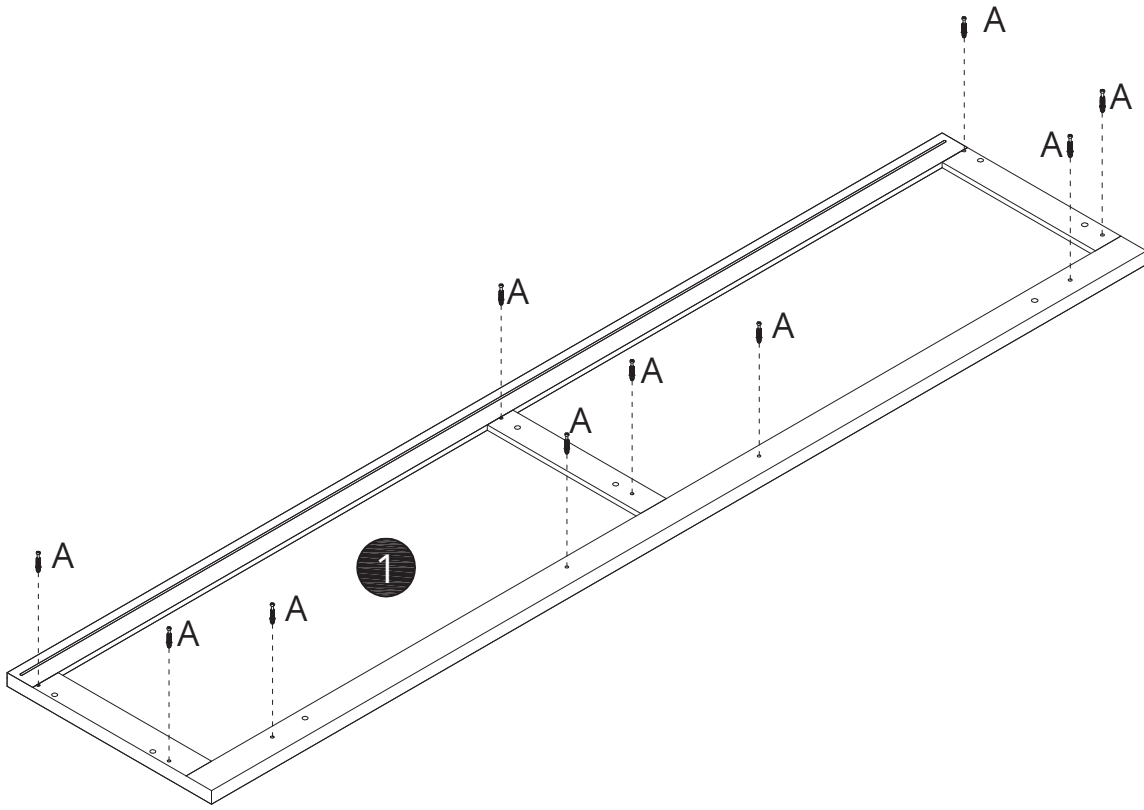
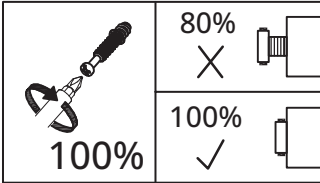
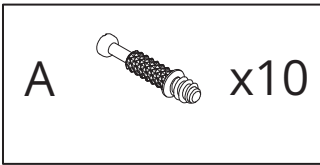


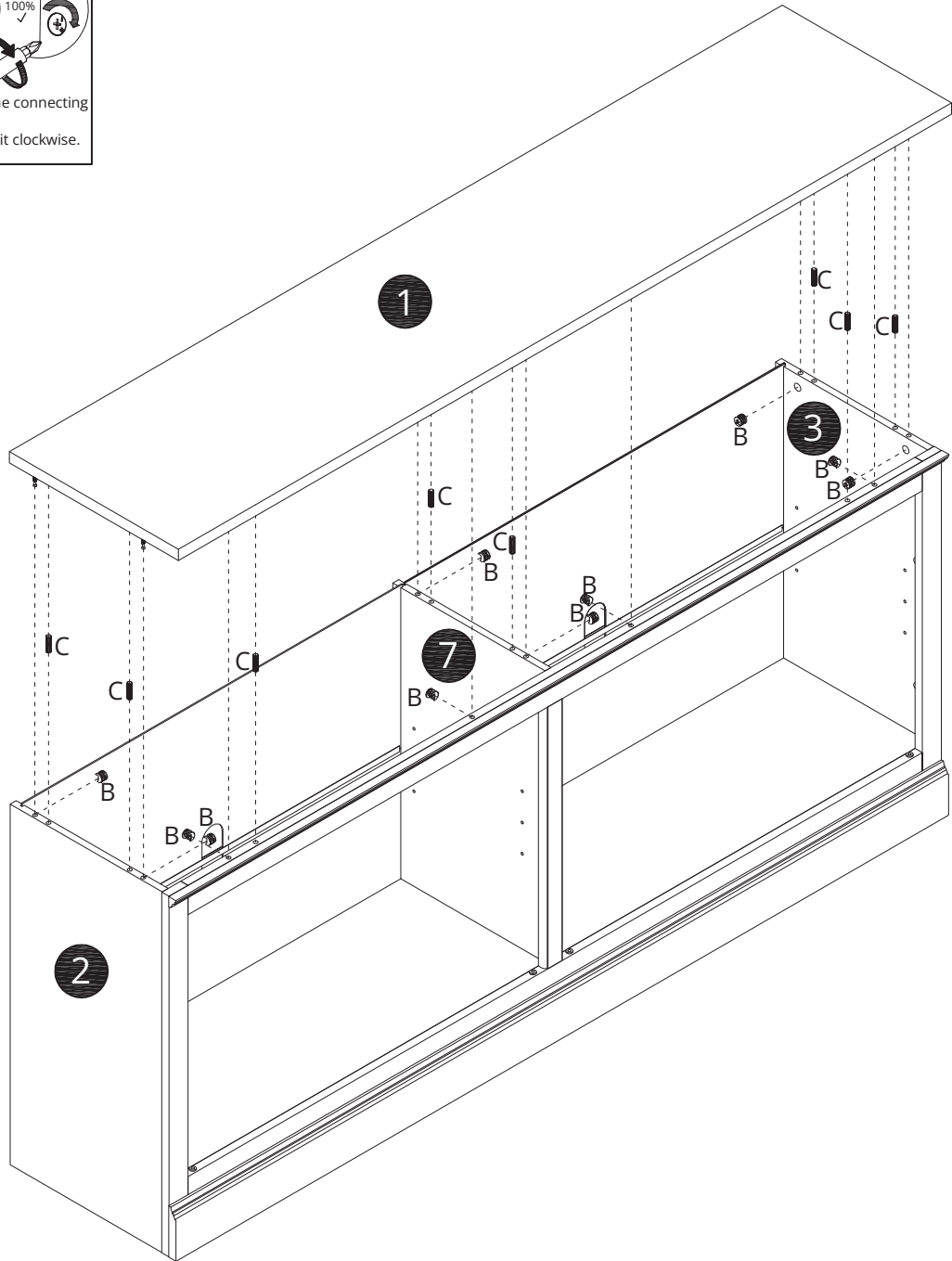
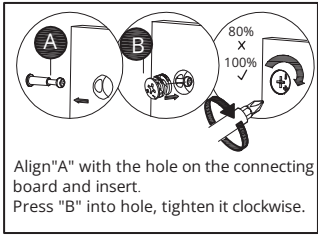
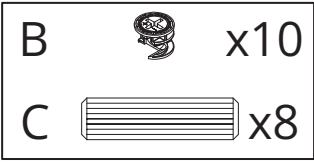
21







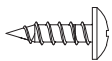
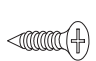
23






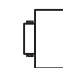


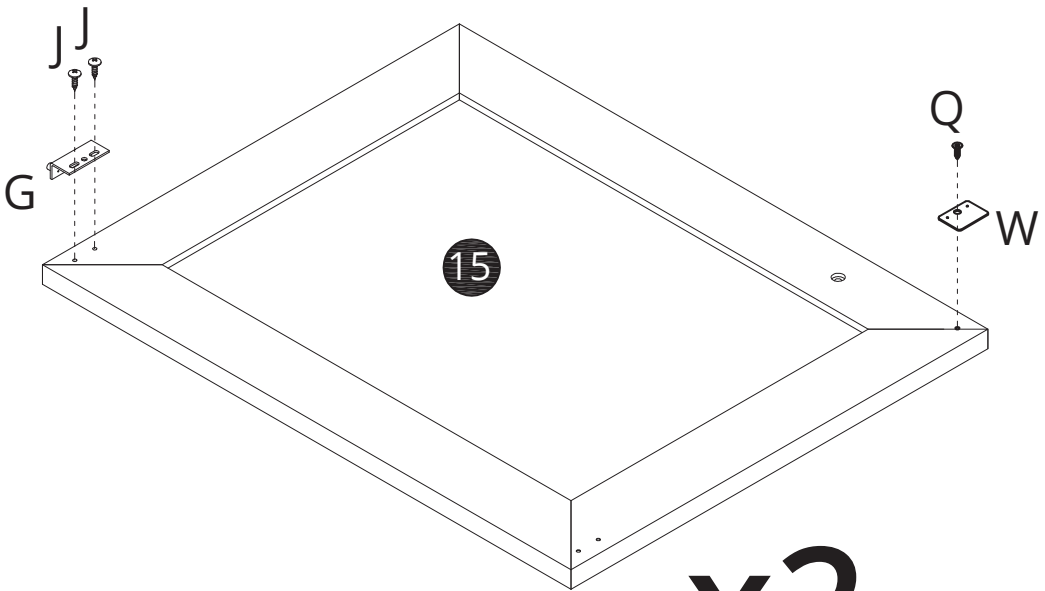
25

G		x2
H		x2

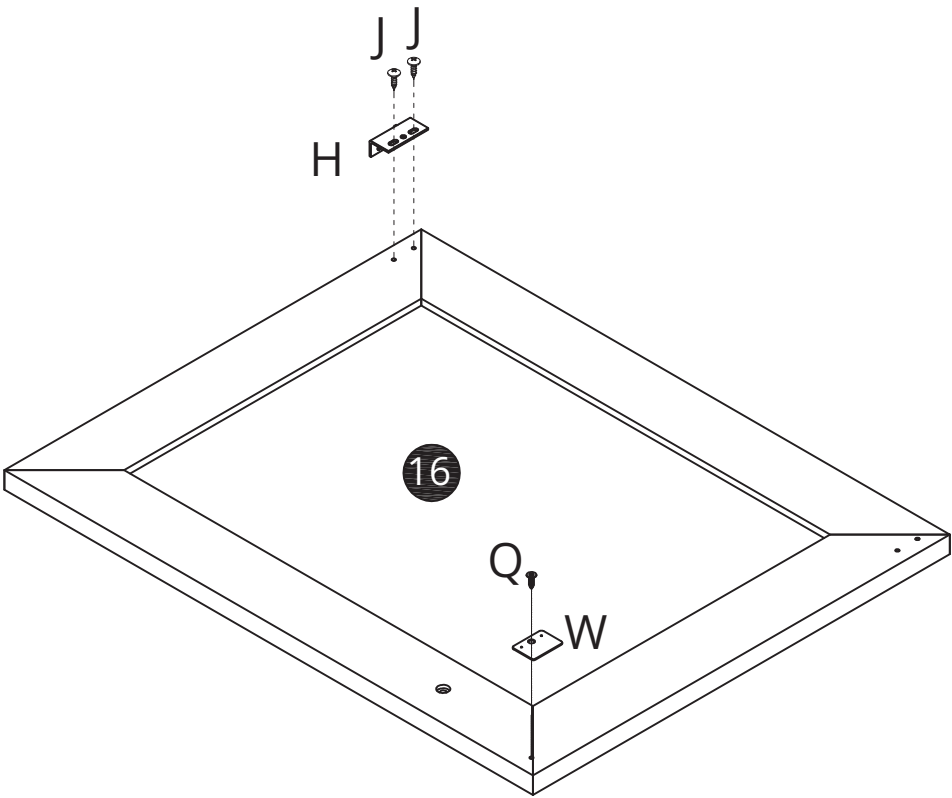
J		x8
Q		x4

W		x4
---	--	----

	80% X	
	100% ✓	





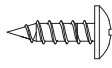
x2



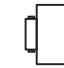


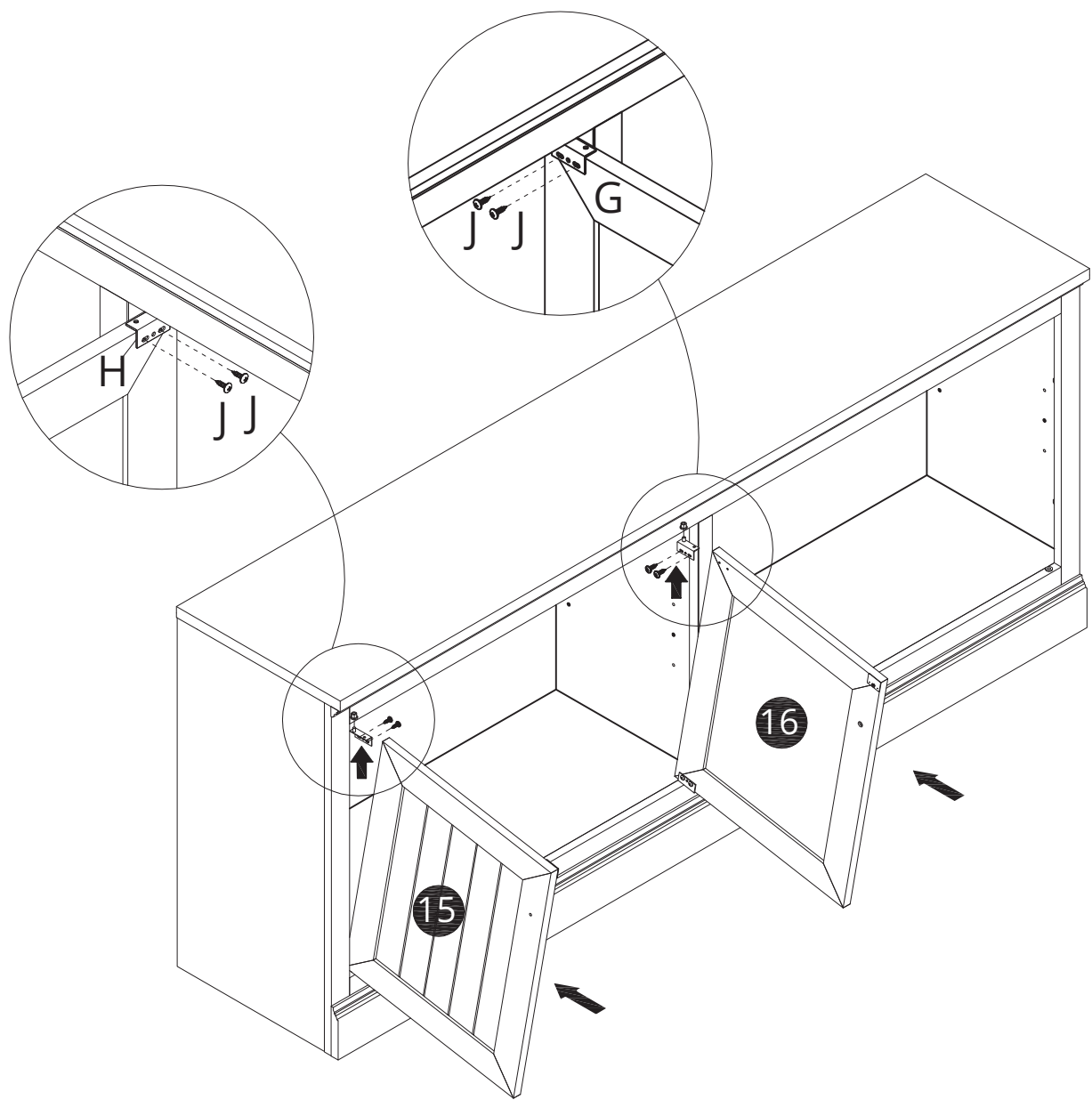
x2

26



G		x1
H		x1




J		x4
---	---	----

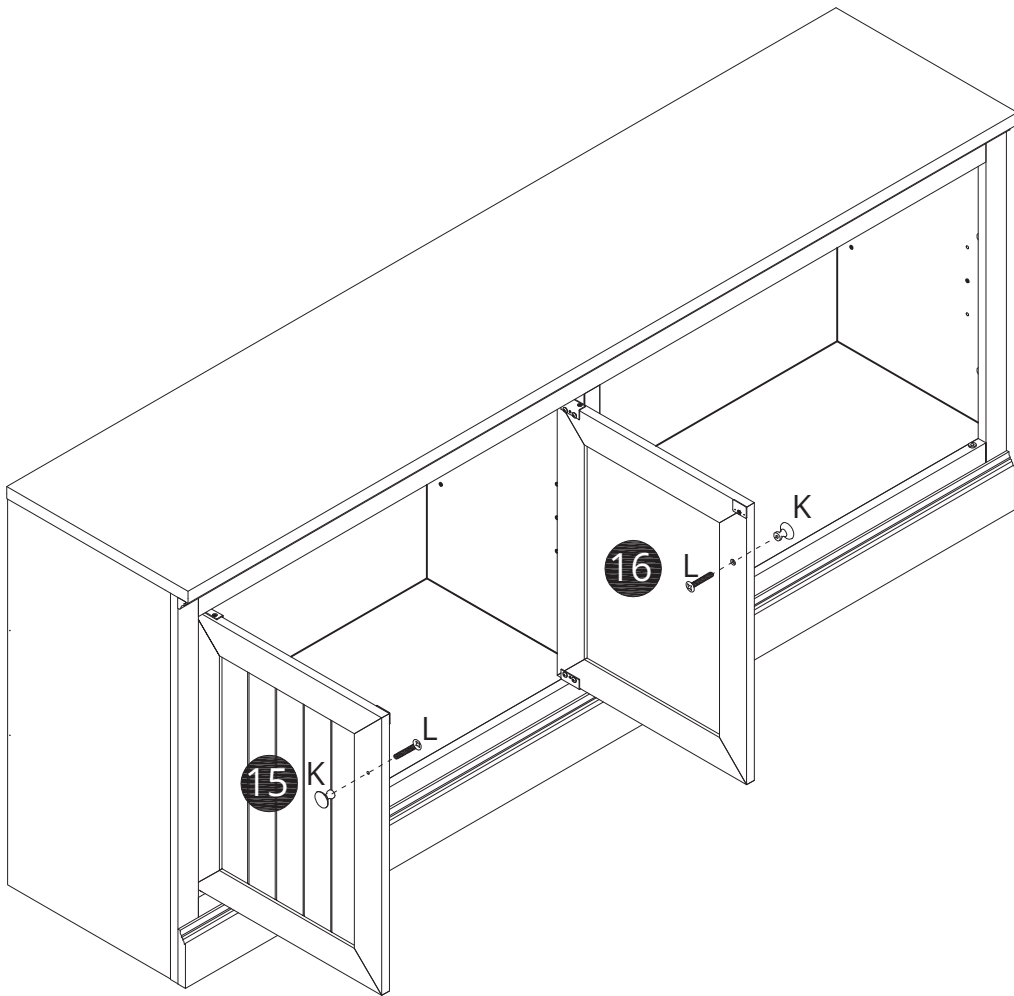
	80% X	
	100% ✓	





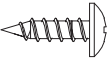
27




K		x2
L		x2

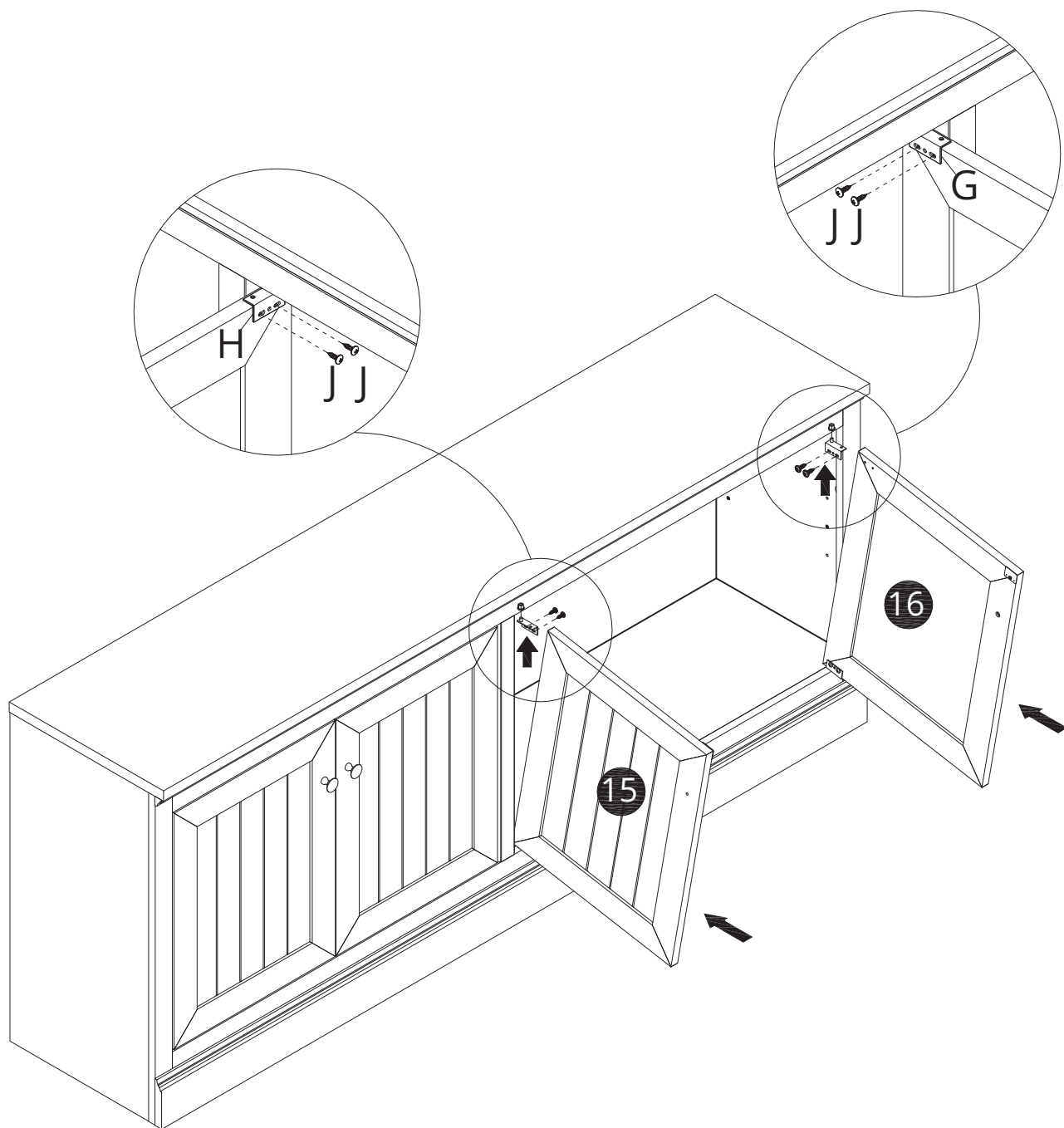
	80% X	
	100% ✓	




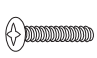
G		x1
H		x1



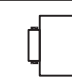
J		x4
---	---	----

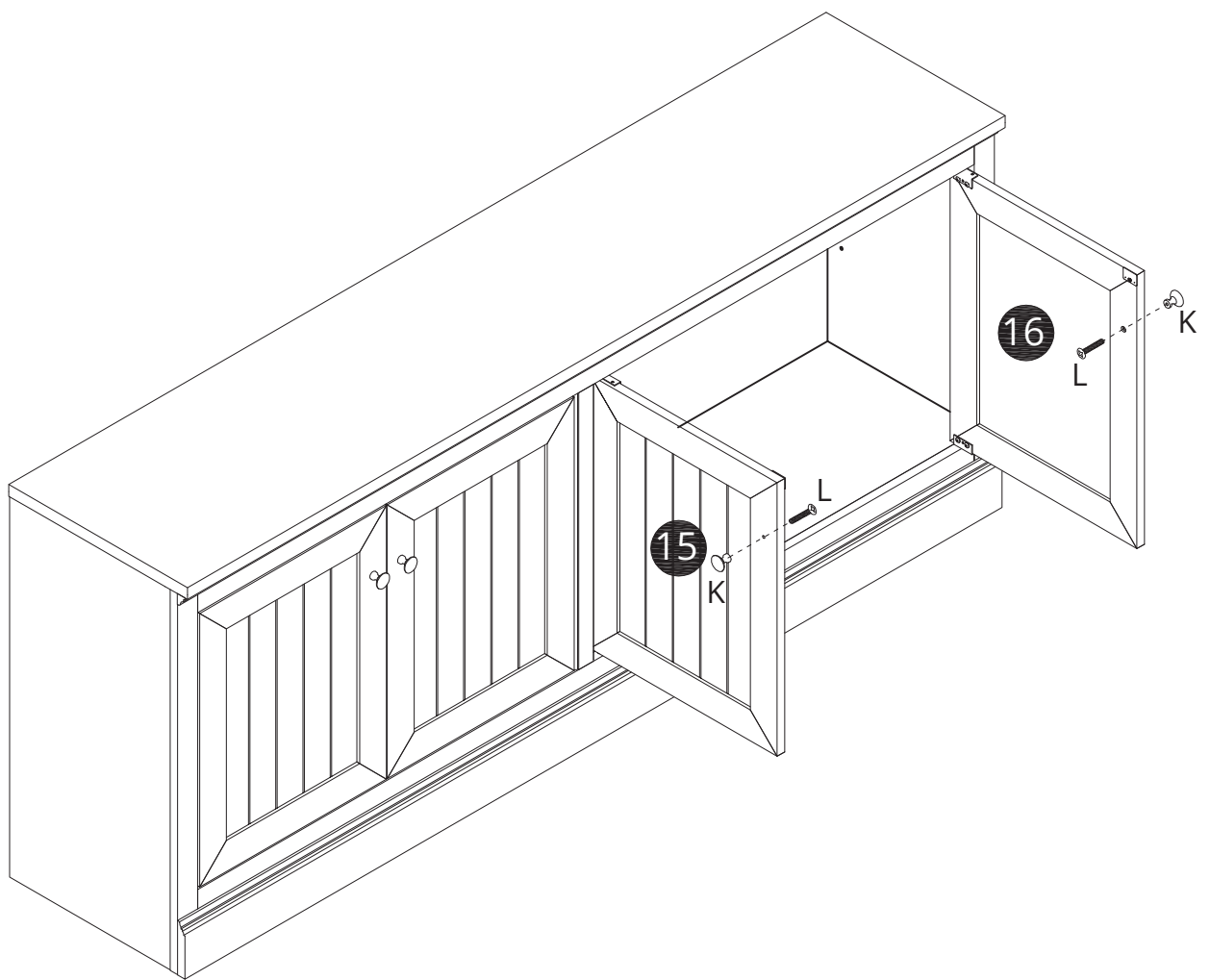
	80% X	
	100% ✓	



29

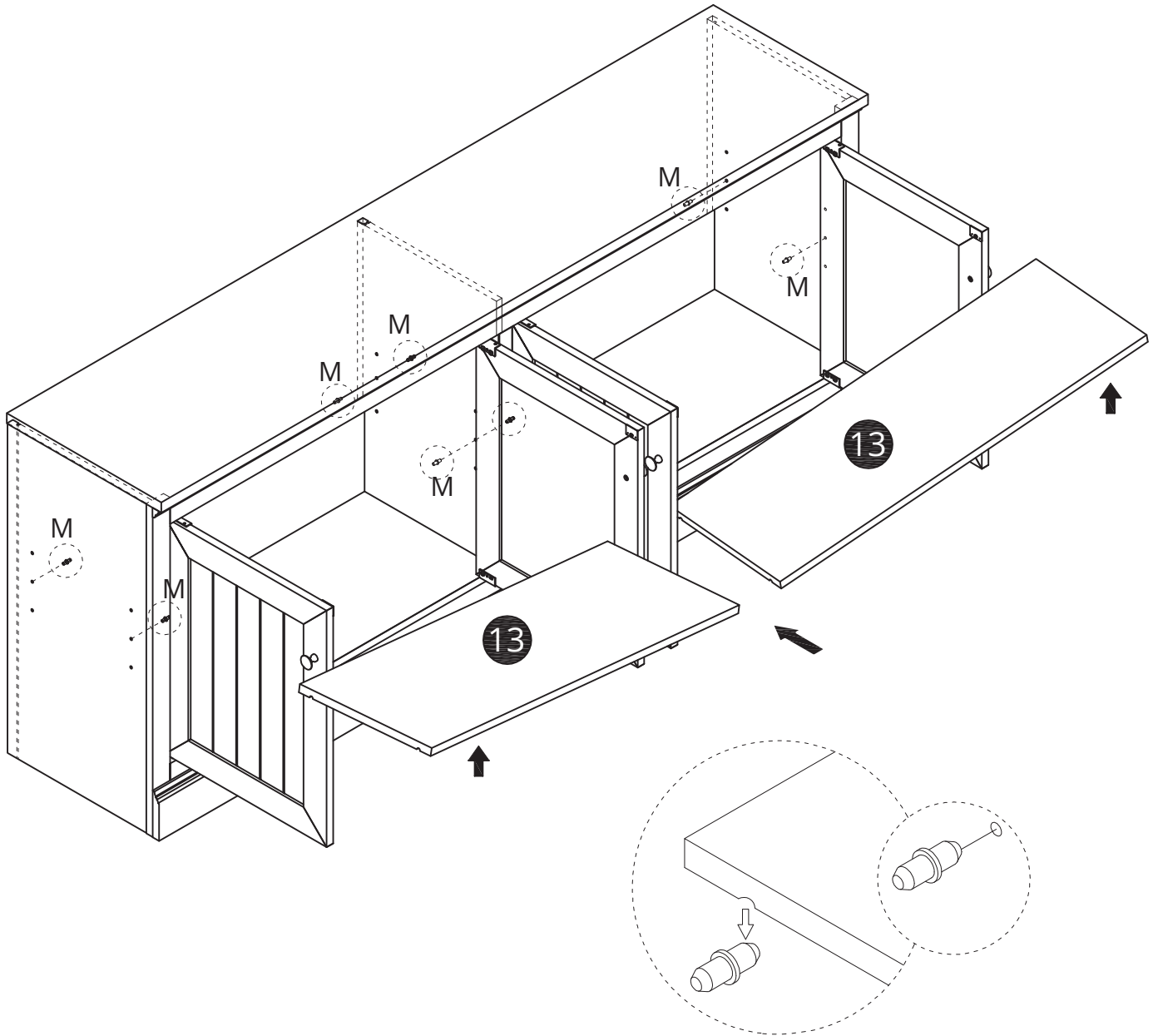
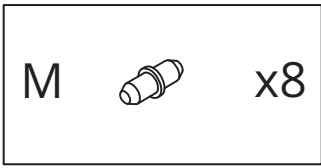
K		x2
L		x2

	80% X	
	100% ✓	






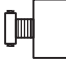

30

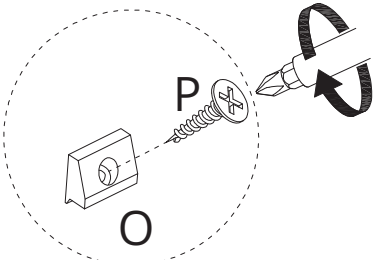
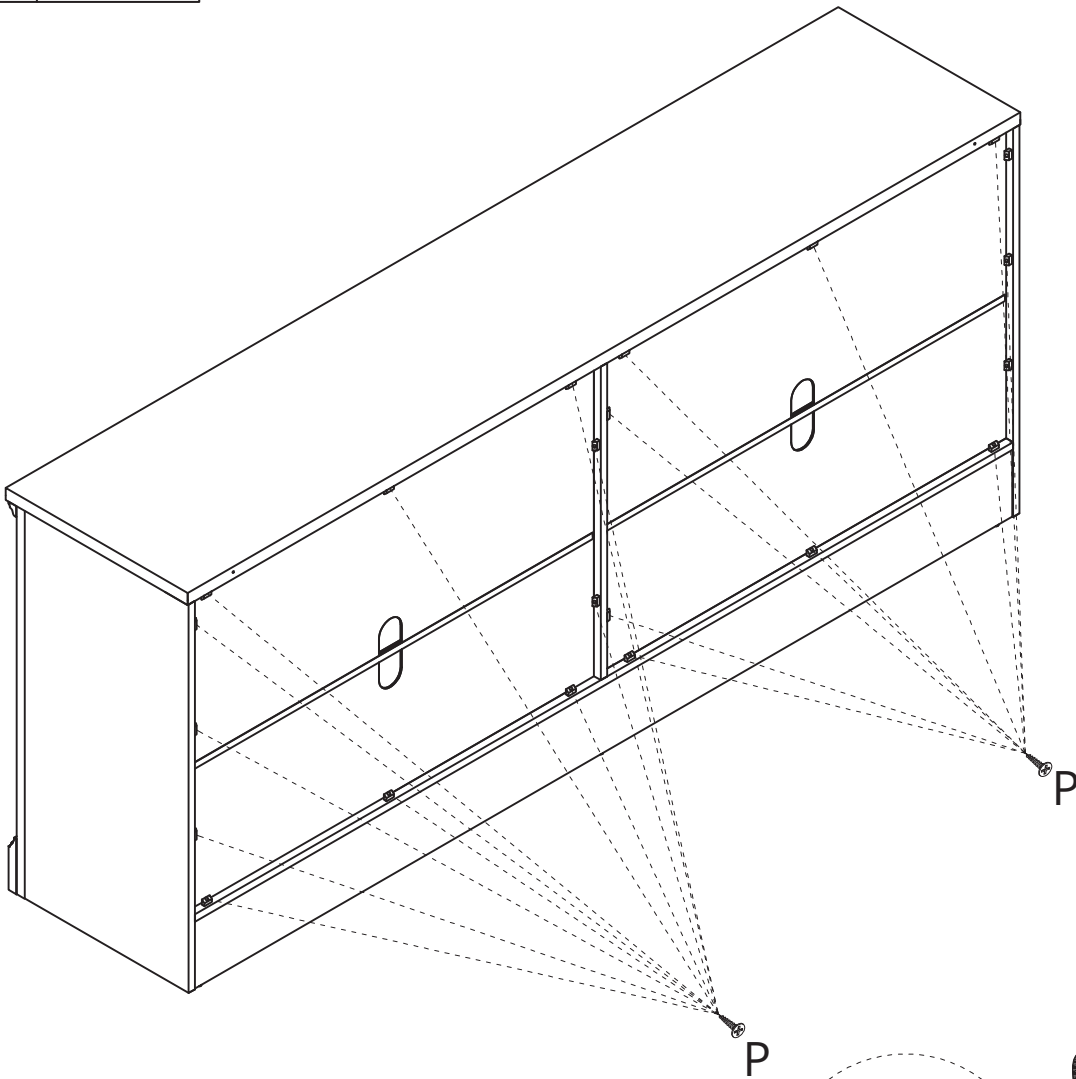
Insert shelf pin M into the pre-drilled holes at your desired height, place the shelf **13** onto the pins, aligning them with the supports.

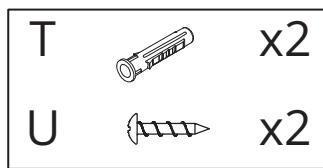
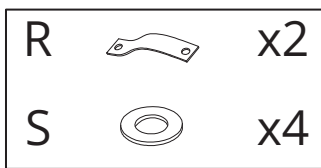


31

O		x22
P		x22

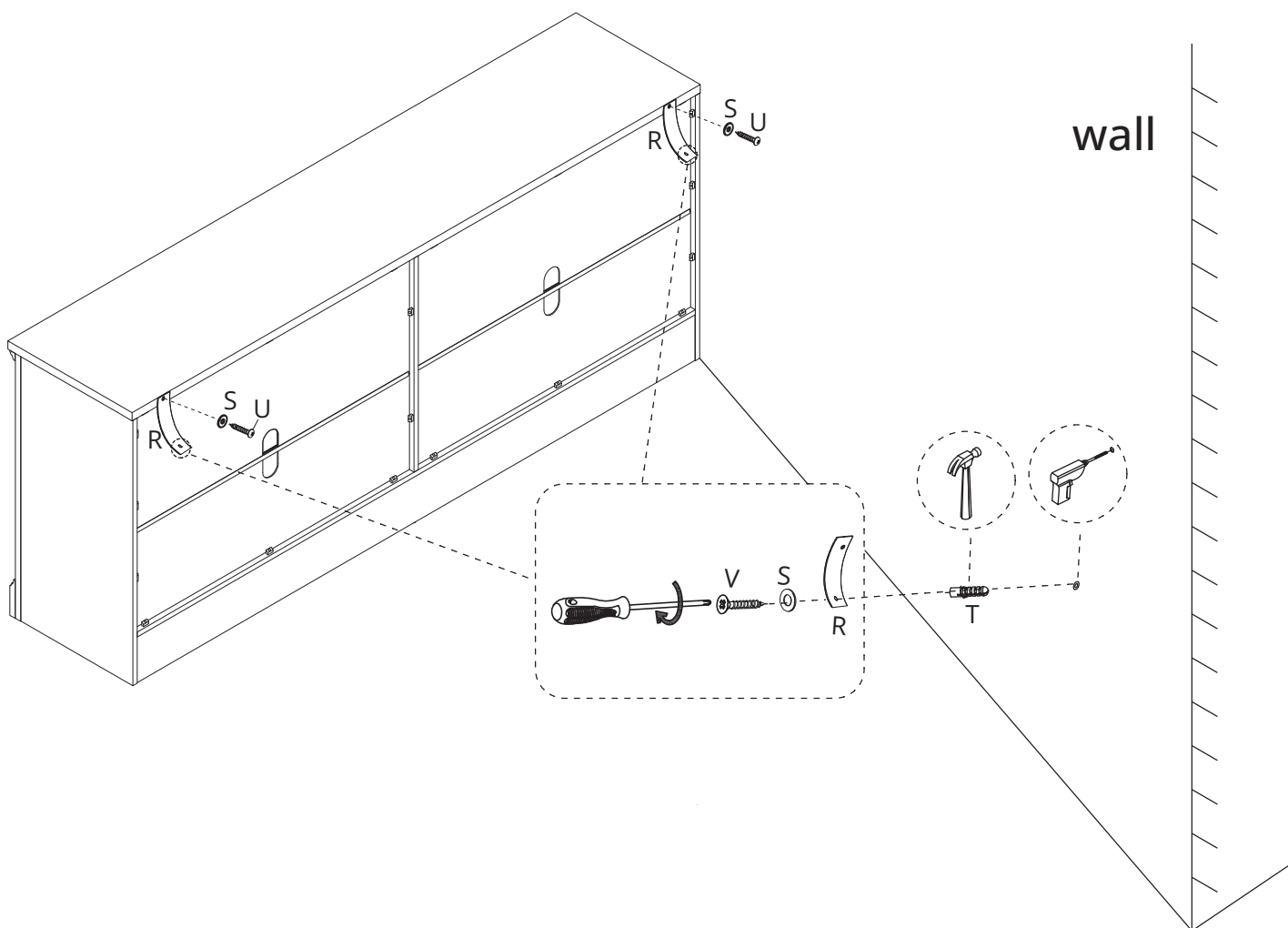
	80% X	
	100% ✓	





For safety reasons, please be sure to attach the product to the wall to avoid accidents!
Please follow below:

1. Drill two holes with a diameter of 1/4 inch using an electric drill.
2. Hammer the T into the wall
3. Fix R to the back of the product by tightening U to the top panel edge through S
4. Fix R to the wall by tightening V into T through S.



FINISHED

