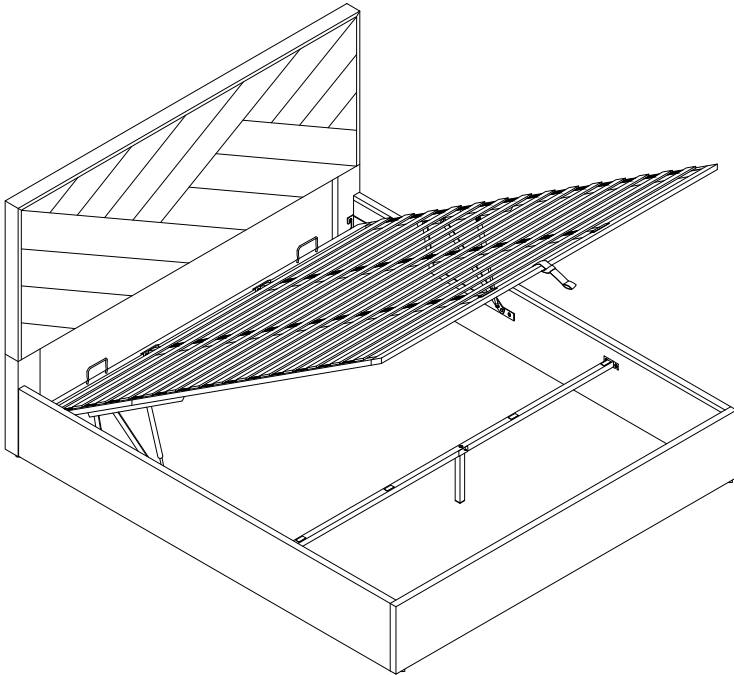


# ASSEMBLY INSTRUCTION



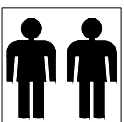
**WARNING: OPEN THE HEADBOARD BACK ZIPPER, THE BED REST PARTS IN IT.**



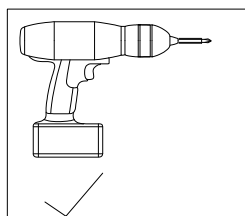
**Please TEAR OFF this shrink film from side!  
DO NOT USE CUTTER!**

## IMPORTANT NOTE

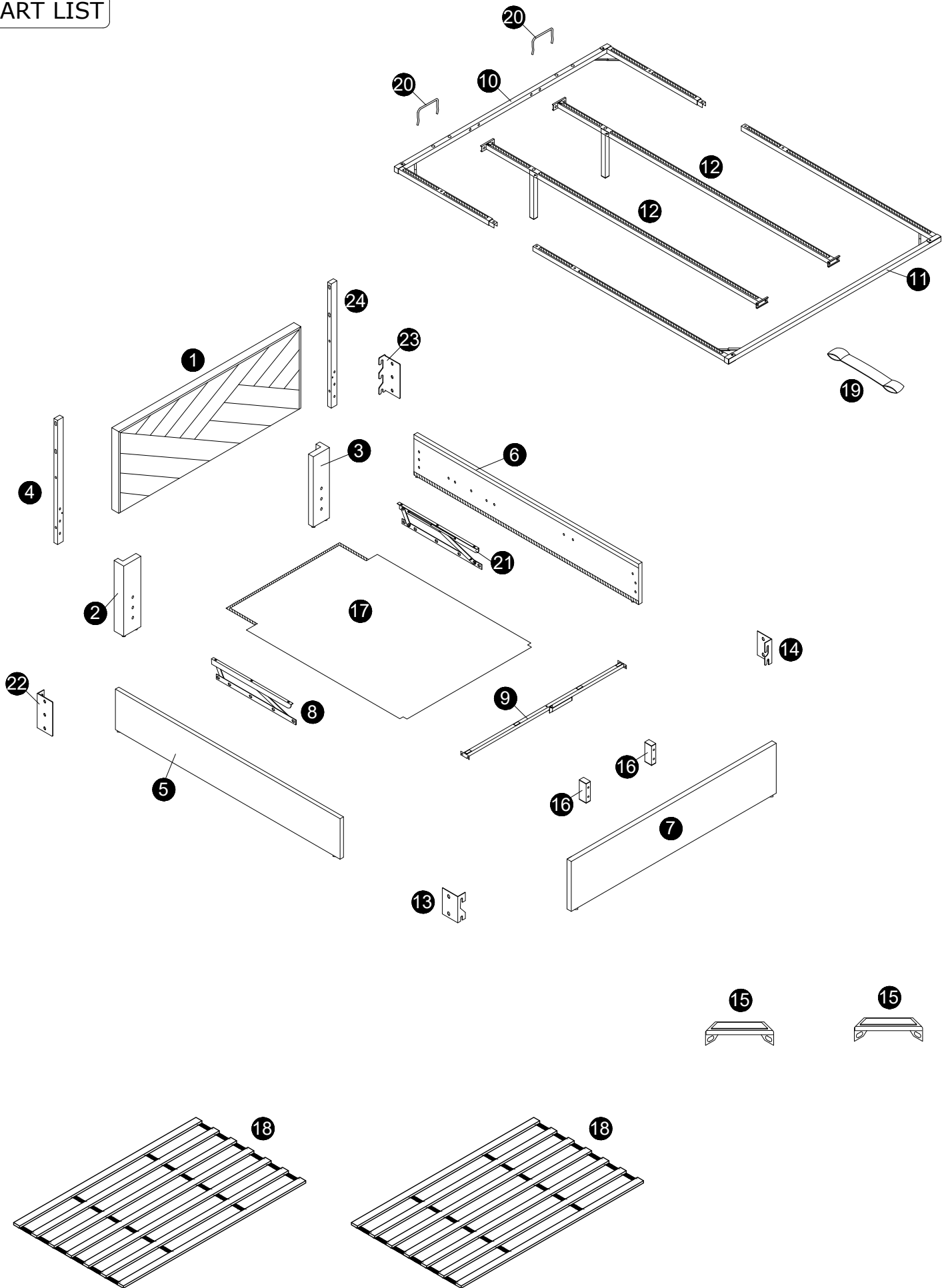
- 1. ALL OTHER PART INSIDE THE HEADBOARD PLEASE OPEN THE ZIPPER OF HEADBOARD, AND TAKE OUT ALL OTHER PART BEFORE ASSEMBLY.**
2. FOR THE PROTECTION OF YOUR FURNITURE, PLACE ALL PARTS ON A CLEAN AND SMOOTH SURFACE TO PREVENT ANY DAMAGE.
3. KEEP FITTINGS OUT OF CHILDREN'S REACH AND KEEP CHILDREN WELL AWAY FROM CONSTRUCTION AREA.
4. WHEN MOVING YOUR ASSEMBLED BED. IT IS BEST TO LIFT THE BED AND NEVER TO DRAG IT.
5. DO NOT USE THIS PRODUCT IF PARTS ARE MISSING, DAMAGED OR WORN.
6. THIS PRODUCT SHOULD ONLY BY USED ON FIRM, LEVEL GROUND.
7. PLEASE PERIODICALLY CHECK ALL FITTINGS AND RE-TIGHTEN AS NECESSARY.
8. DO NOT USE THE BED UNLESS ALL BOLTS AND SCREWS ARE FIRMLY SECURED.
9. NEED PARTS OR ASSISTANCE? EMAIL US



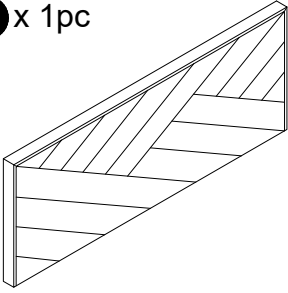

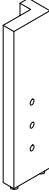

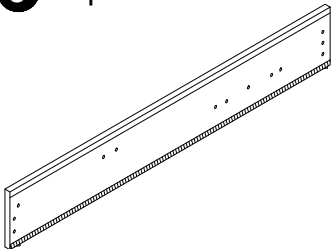
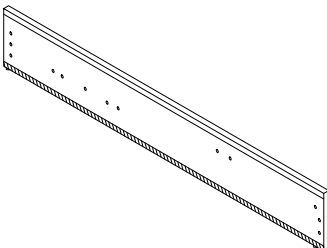
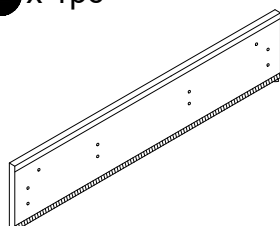
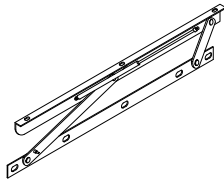
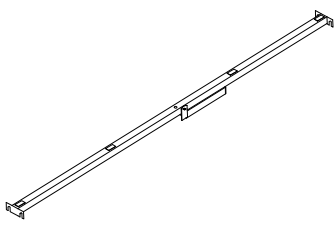
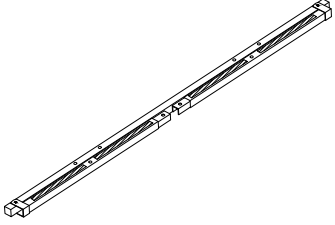
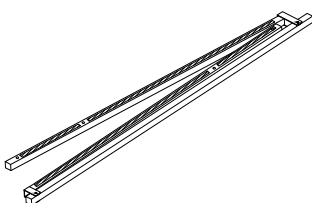
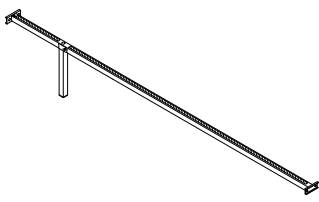


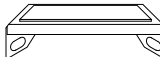

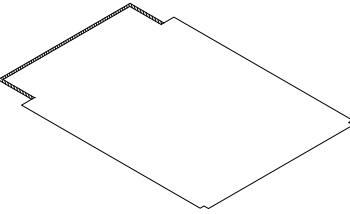
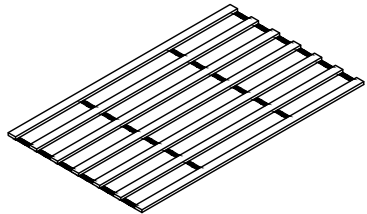
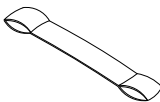

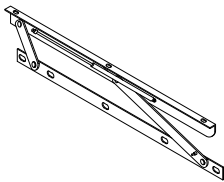



Minimum two  
person assembly




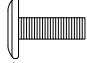







PART LIST



PART LIST

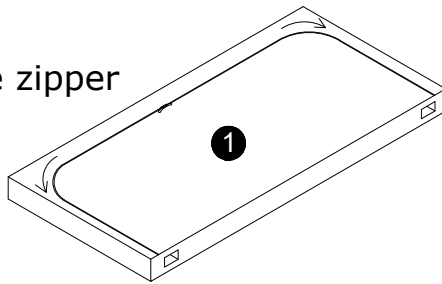
<p><b>1</b> x 1pc</p> 	<p><b>2</b> x 1pc</p> 	<p><b>3</b> x 1pc</p> 	<p><b>4</b> x 1pc</p> 
<p><b>5</b> x 1pc</p> 	<p><b>6</b> x 1pc</p> 	<p><b>7</b> x 1pc</p> 	<p><b>8</b> x 1pc</p> 
<p><b>9</b> x 1pc</p> 	<p><b>10</b> x 1pc</p> 	<p><b>11</b> x 1pc</p> 	<p><b>12</b> x 2pcs</p> 
<p><b>13</b> x 1pc</p> 	<p><b>14</b> x 1pc</p> 	<p><b>15</b> x 2pcs</p> 	<p><b>16</b> x 2pcs</p> 
<p><b>17</b> x 1pc</p> 	<p><b>18</b> x 2pcs</p> 	<p><b>19</b> x 1pc</p> 	<p><b>20</b> x 2pcs</p> 
<p><b>21</b> x 1pc</p> 	<p><b>22</b> x 1pc</p> 	<p><b>23</b> x 1pc</p> 	<p><b>24</b> x 1pc</p> 

# HARDWARE LIST

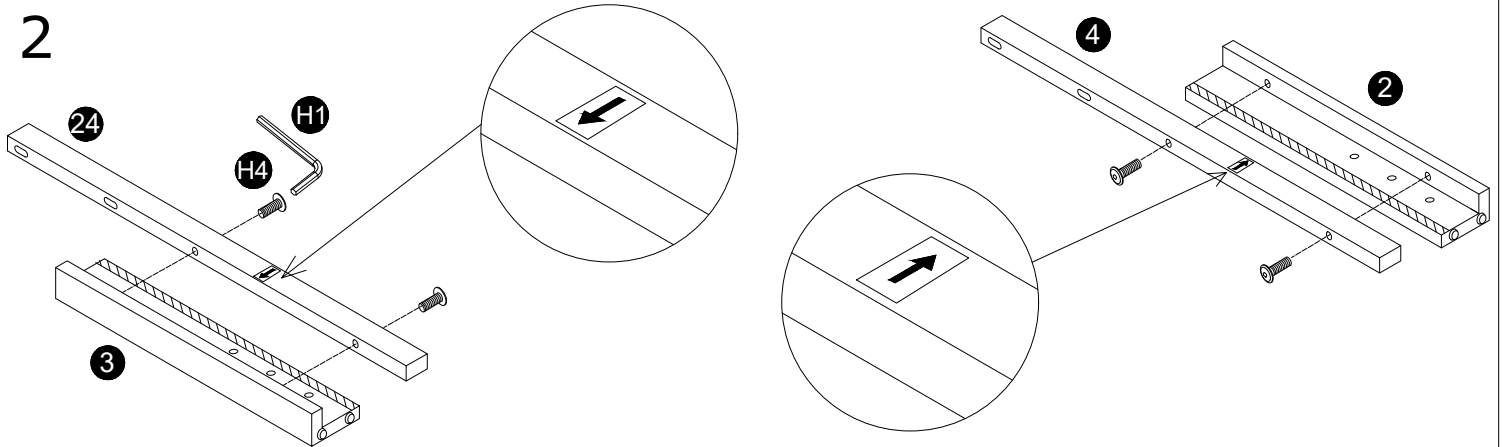
 <b>H1</b> M5 x 1pc	 <b>H2</b> M8x25mm x 40pcs	 <b>H3</b> M8x35mm x 6pcs	 <b>H4</b> M8x60mm x 12pcs
 <b>H5</b> M8 x 20pcs	 <b>H6</b> M8x17mm x 20pcs	 <b>H7</b> M8 x 6pcs	 <b>H8</b> M14 x 1pc
 <b>H9</b> M8x50mm x 9pcs			

**1** **NOTE:** PLEASE OPEN THE ZIPPER ON THE BACK OF **1** AND TAKE OUT THE PARTS.

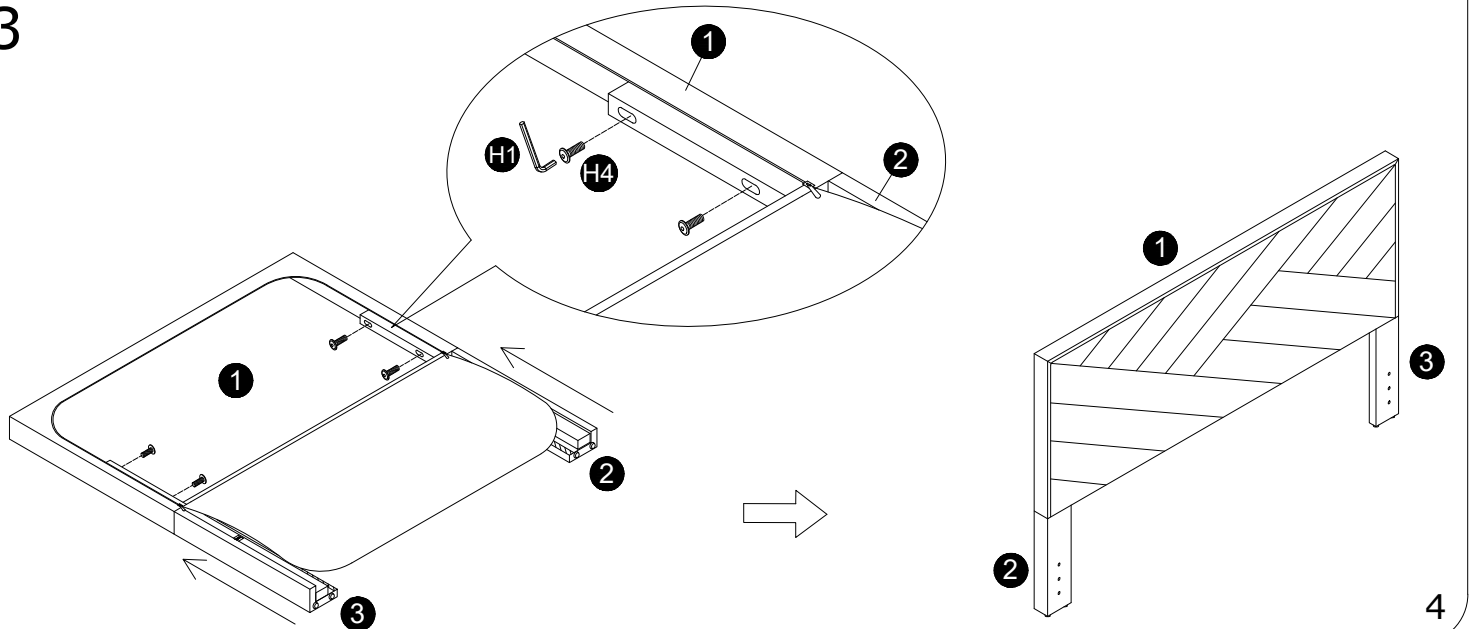
Open the zipper



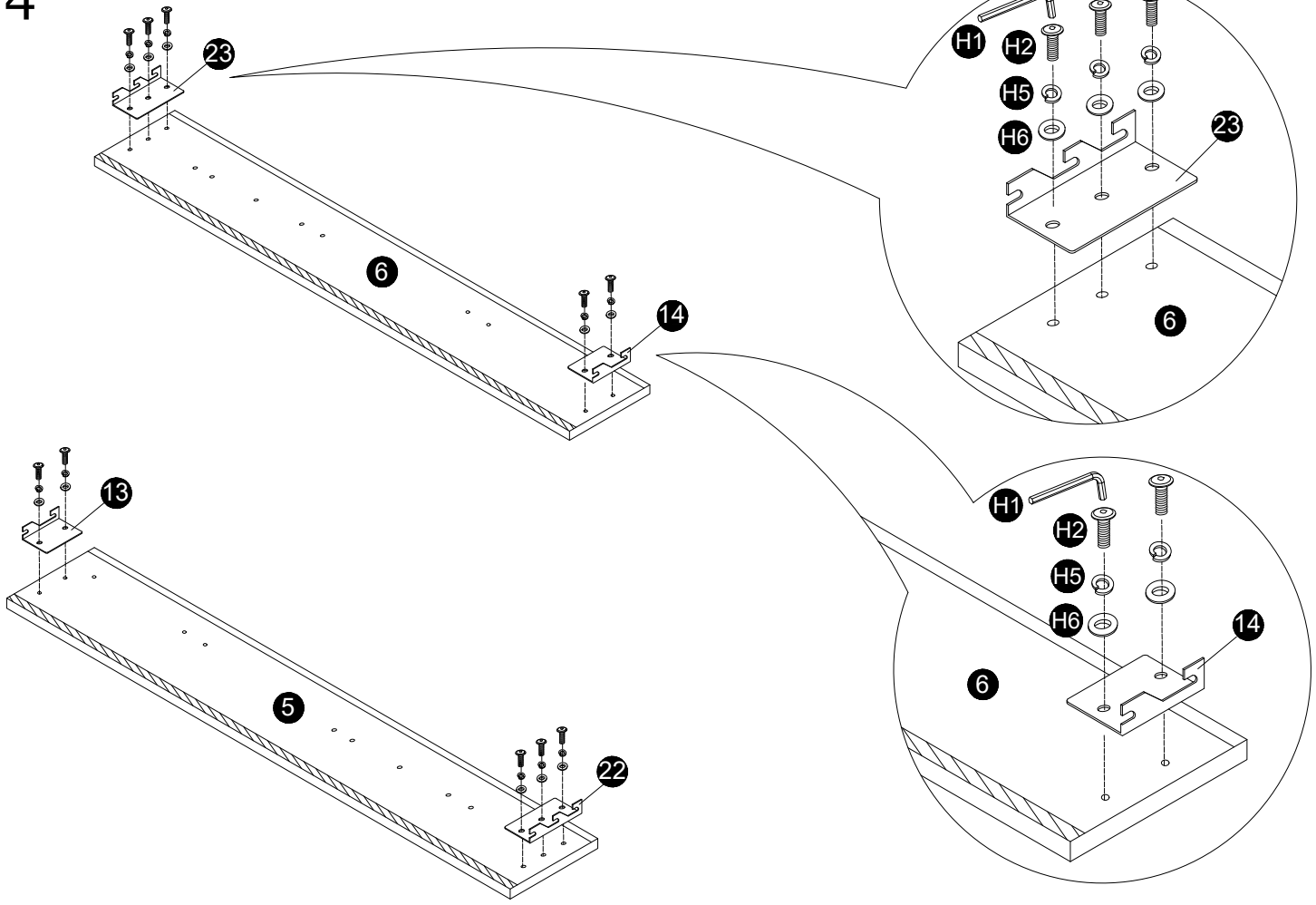
**2**



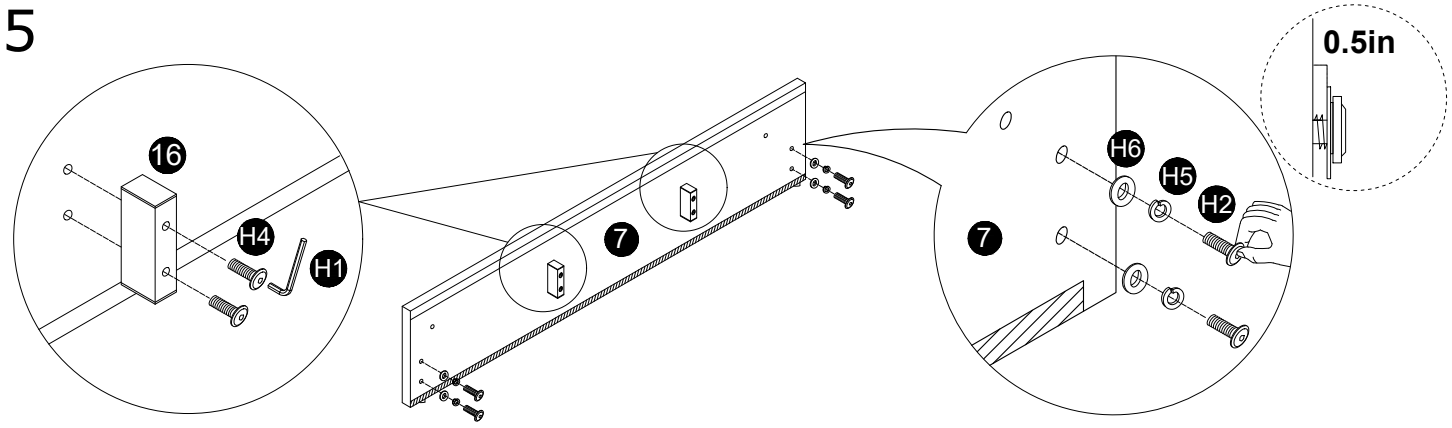
**3**



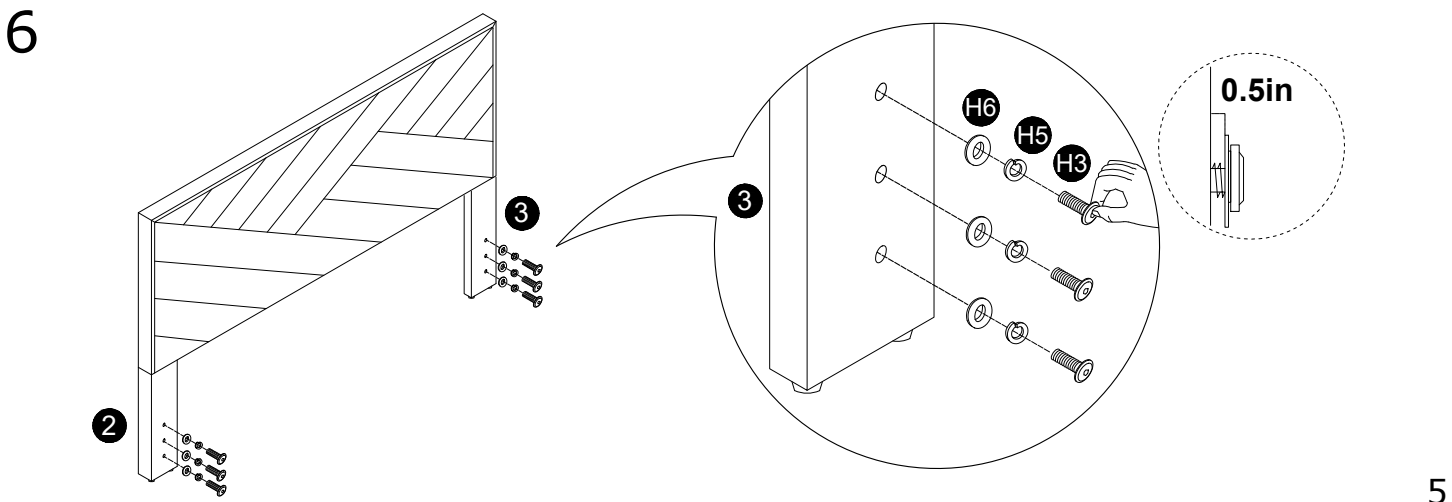
4



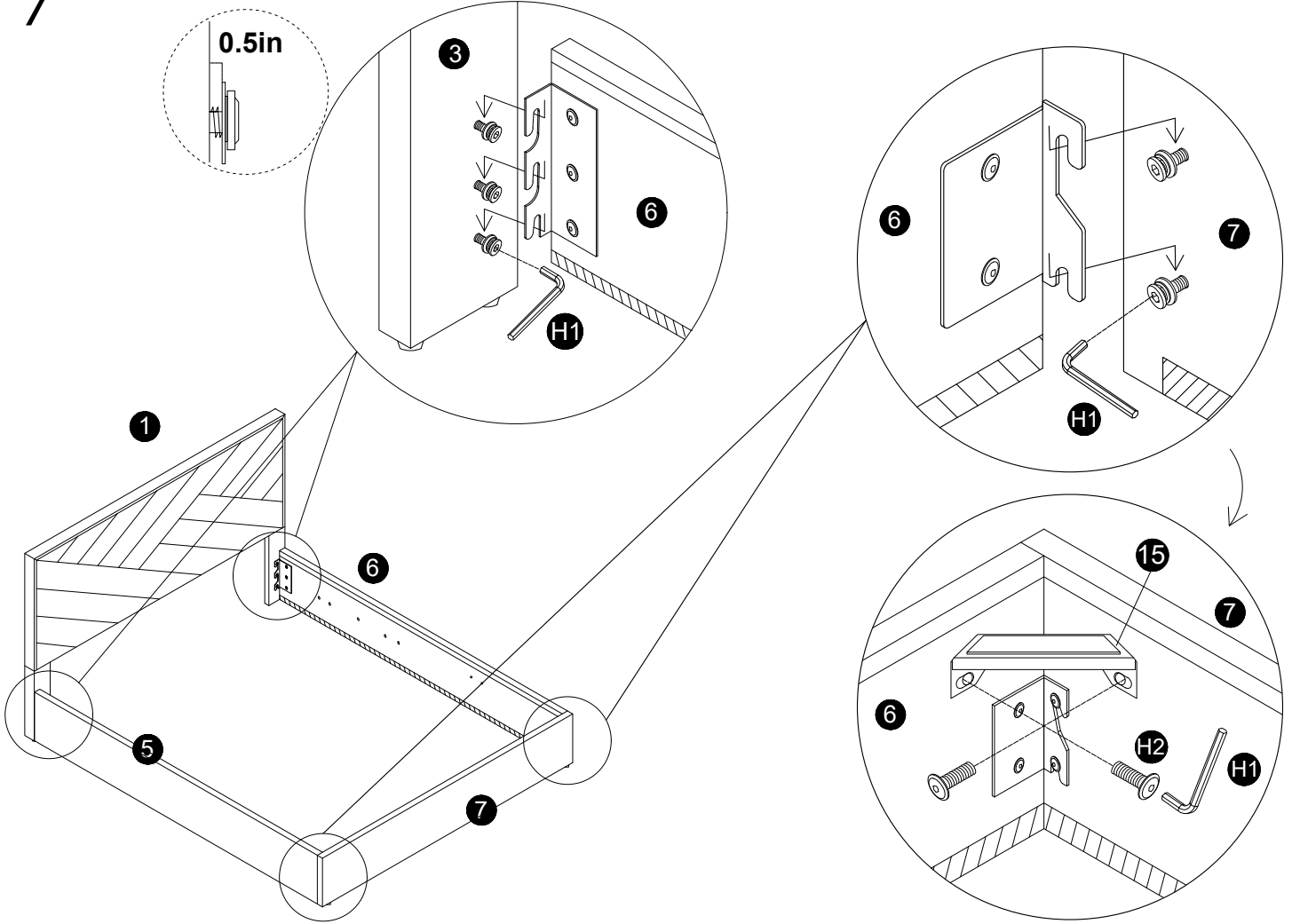
5



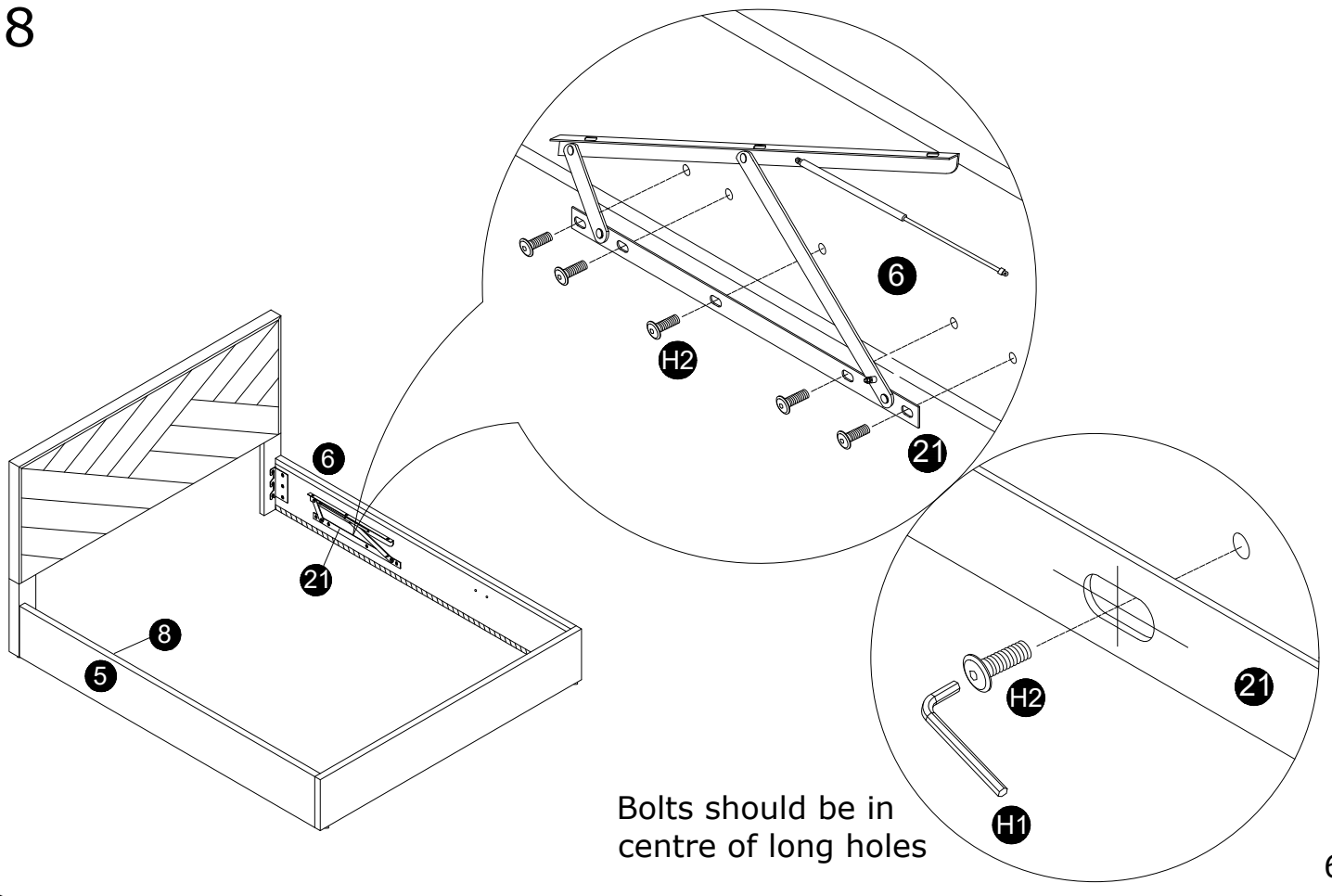
6



7

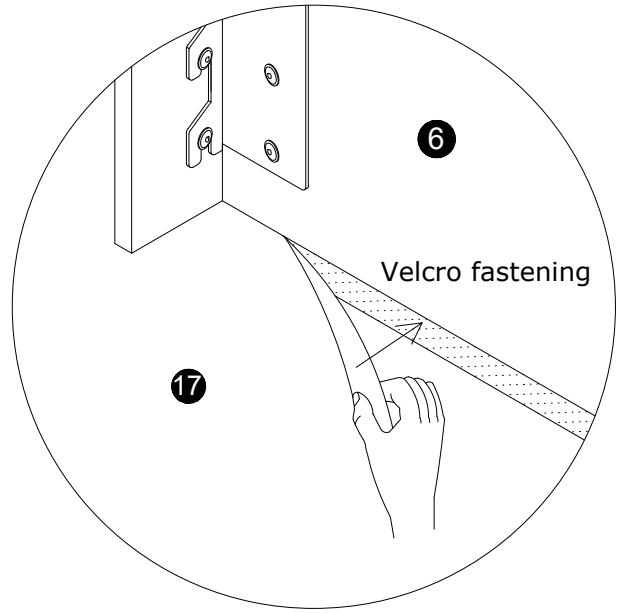
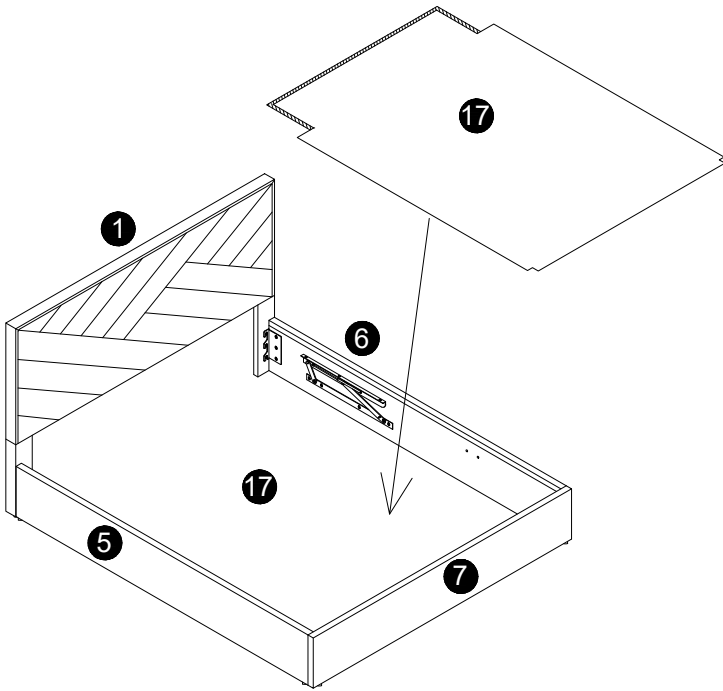


8

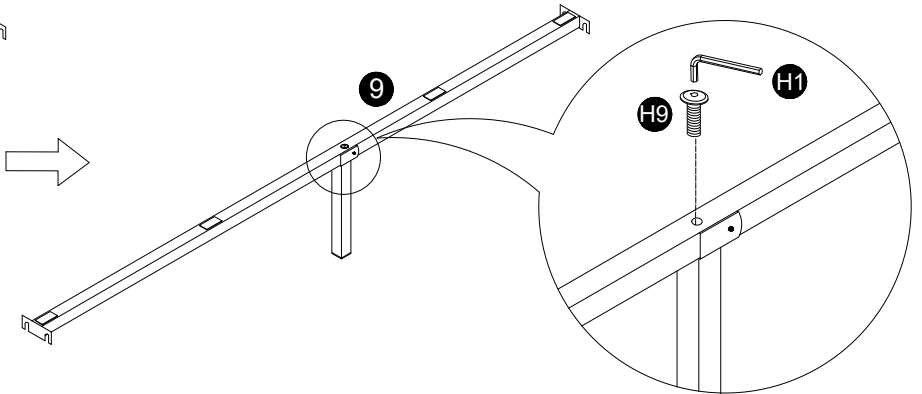
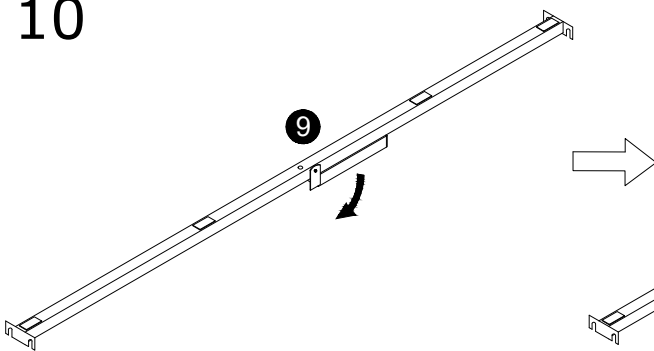


Bolts should be in centre of long holes

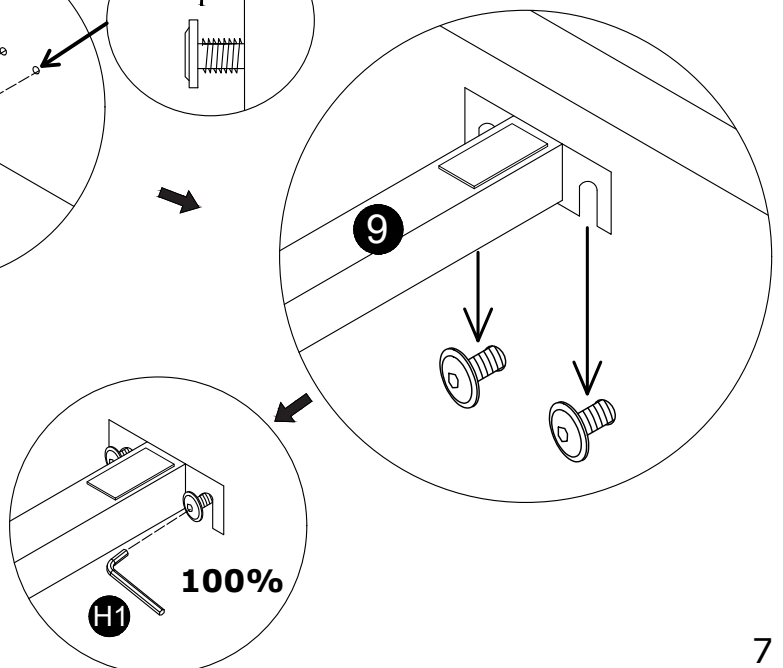
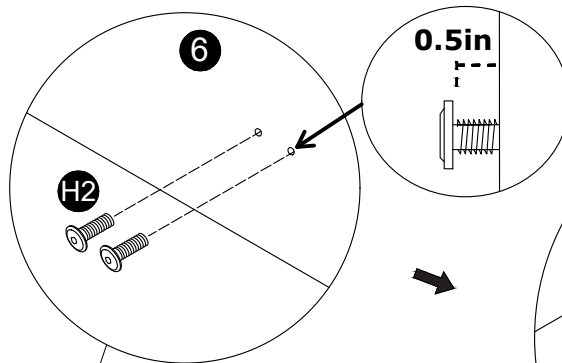
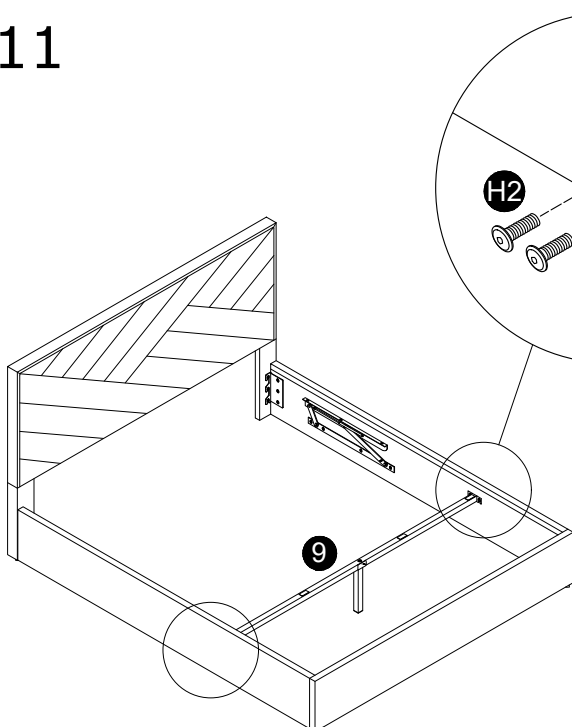
9



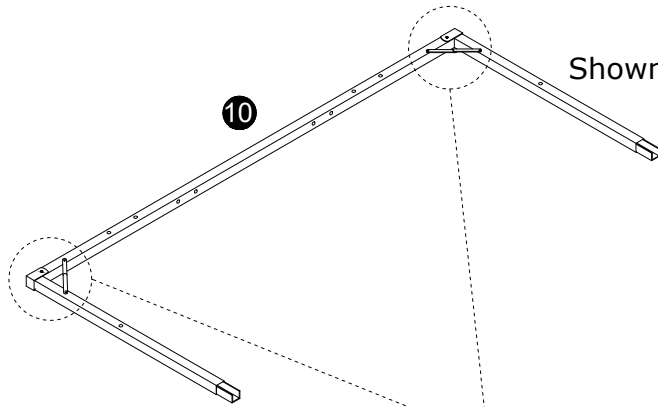
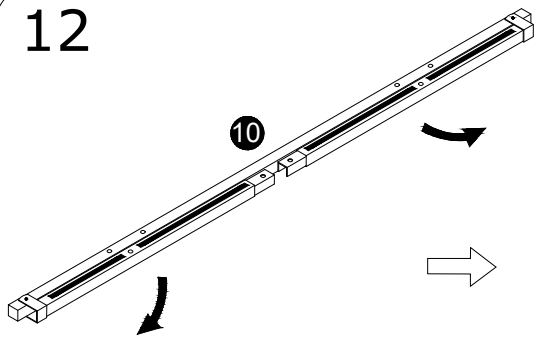
10



11

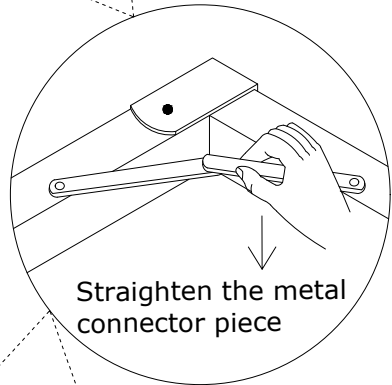


12

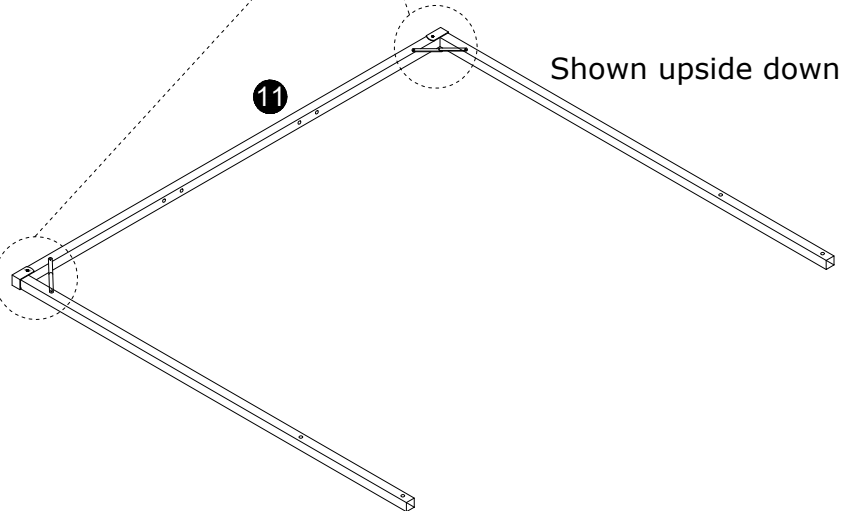
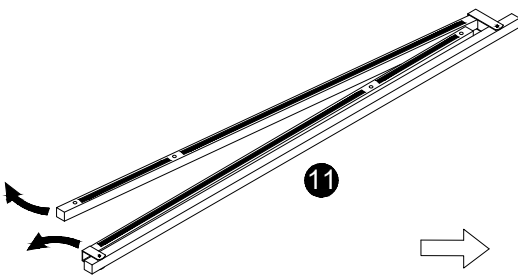


Shown upside down

BEWARE OF CLAMP HAND

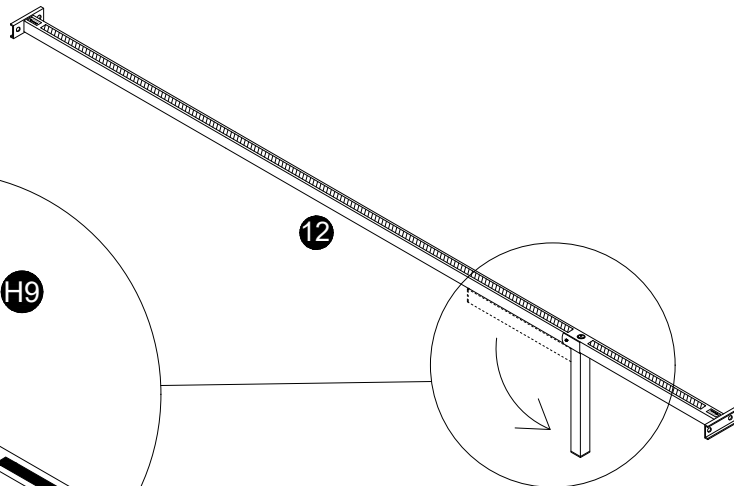


Straighten the metal connector piece

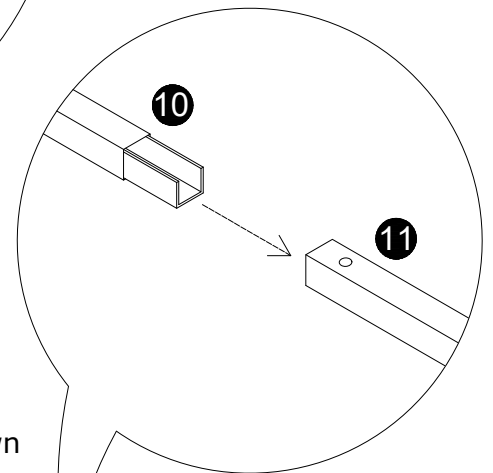
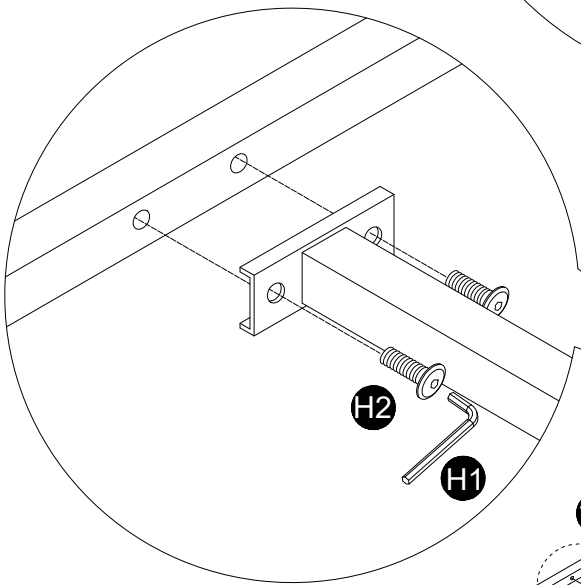
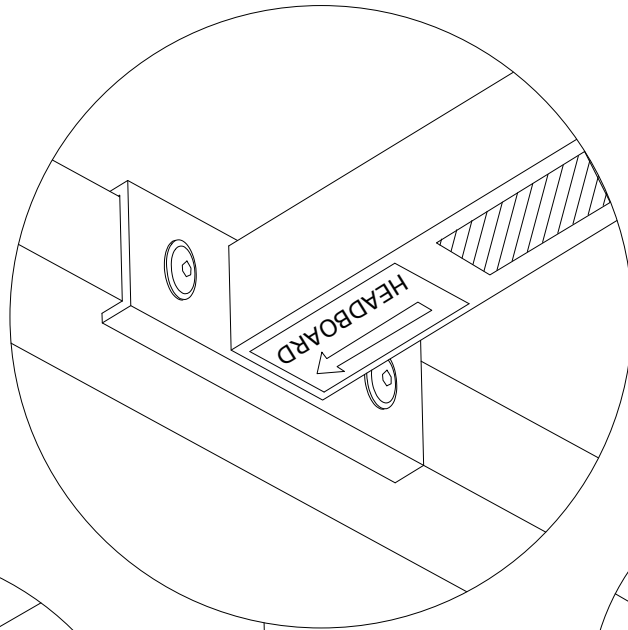


Shown upside down

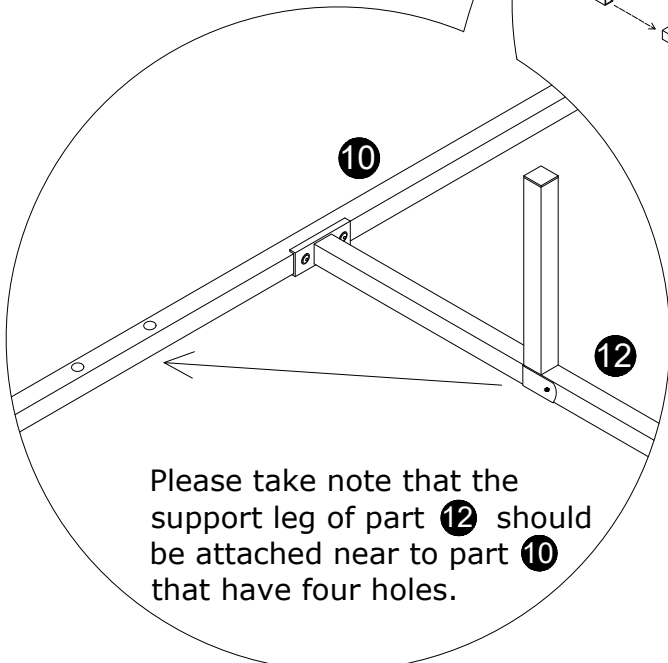
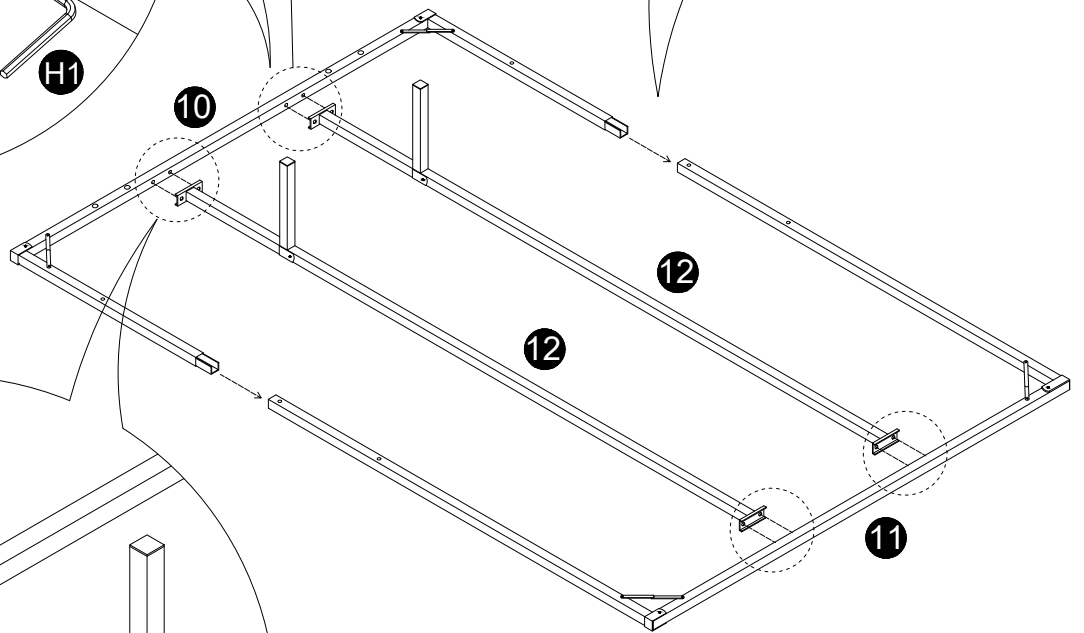
13



x2

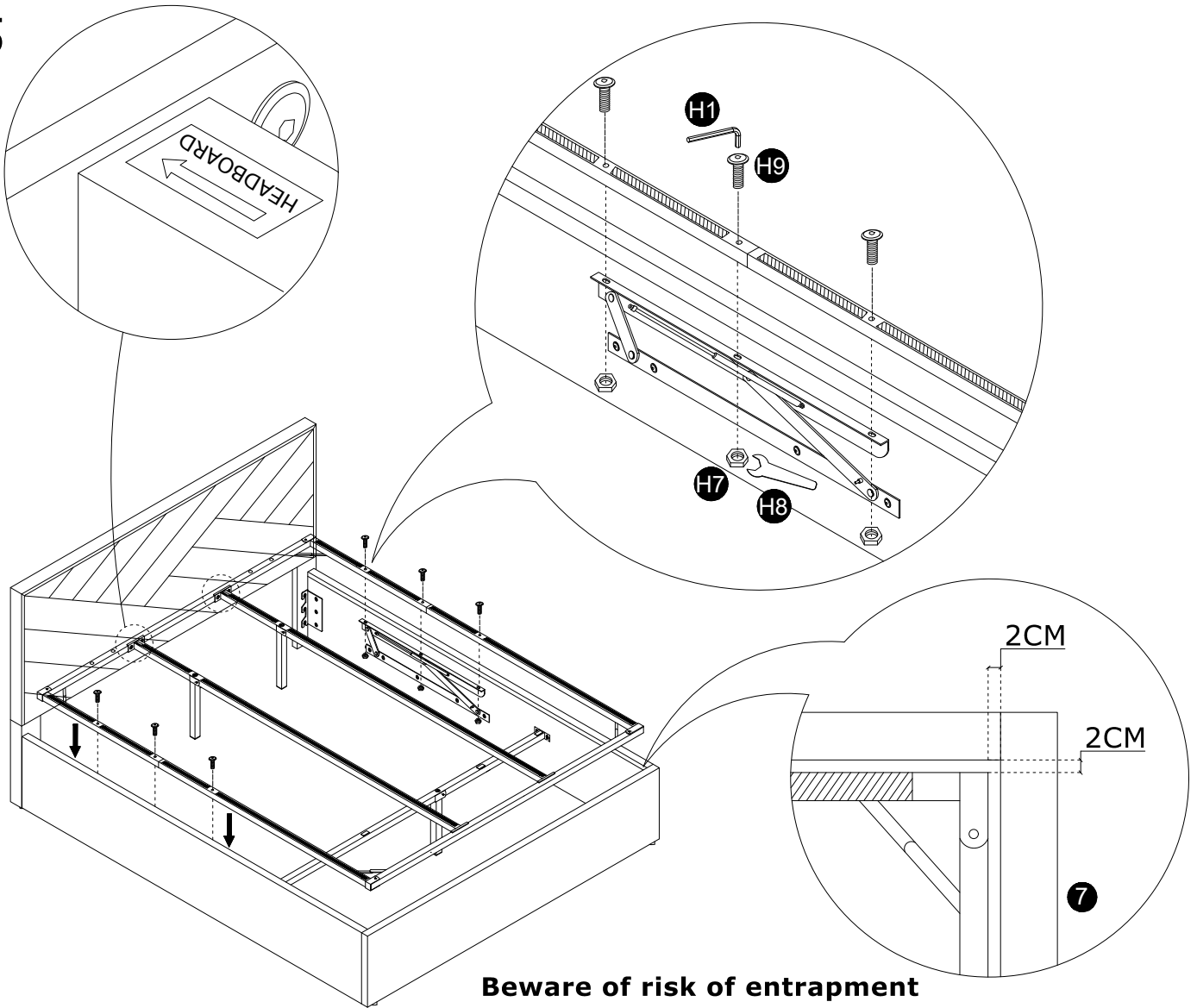


Shown upside down



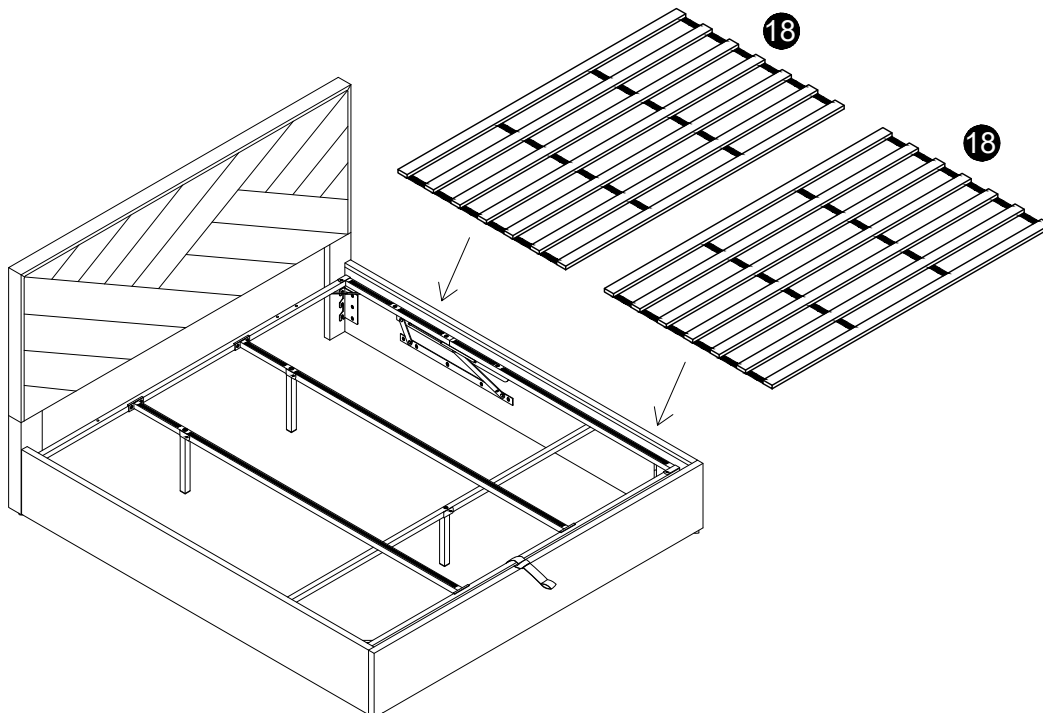
Please take note that the support leg of part 12 should be attached near to part 10 that have four holes.

15

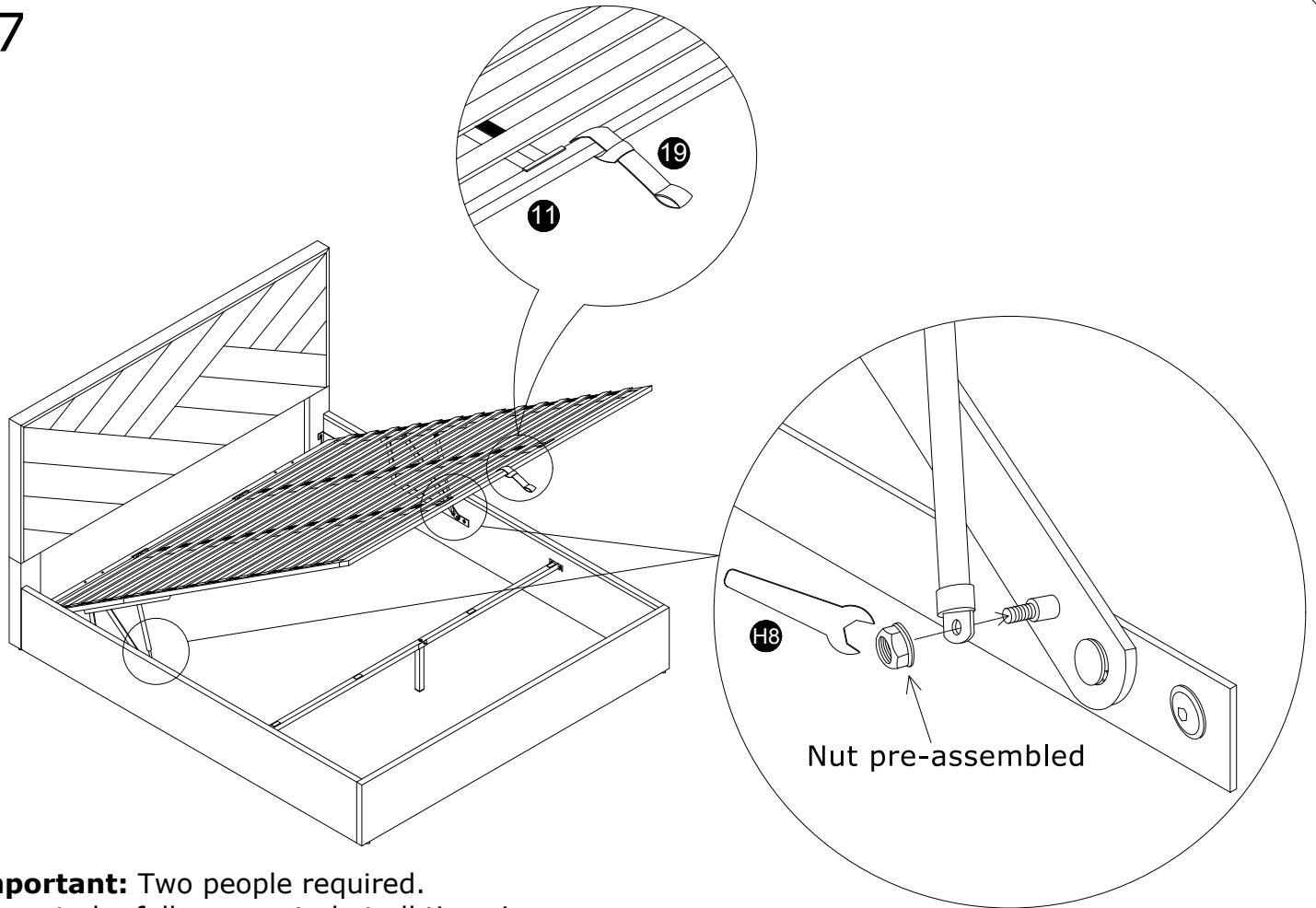


**Beware of risk of entrapment  
from folding hinges!**

16

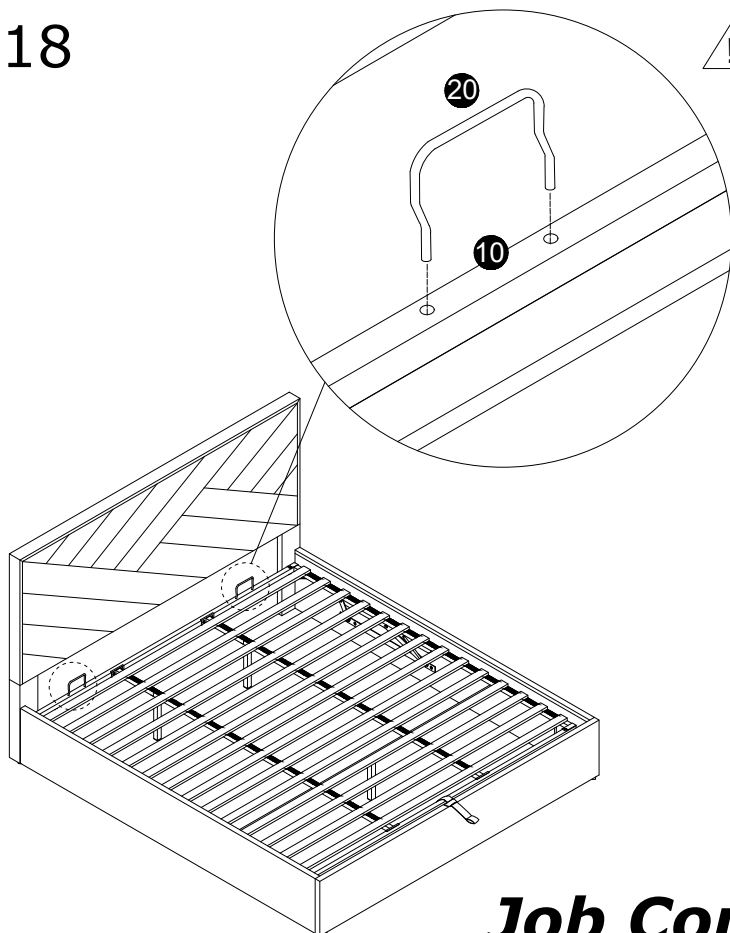


17



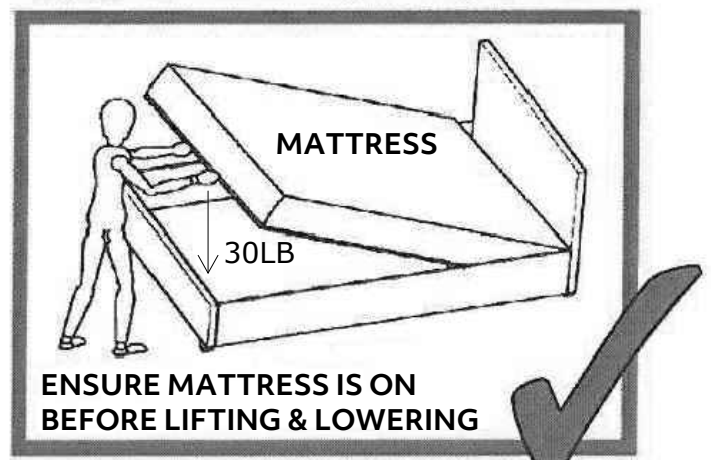
**Important:** Two people required.  
Frame to be fully supported at all times!

18



Only lift when the mattress is in place.  
Place mattress & Carefully lower frame down.  
Keep objects/body part & children away from  
moving parts.

After placing the mattress on frame,  
push down the frame with 30lbs force.



**Job Complete !**

*In the interest of our environment please dispose of all packaging thoughtfully.*