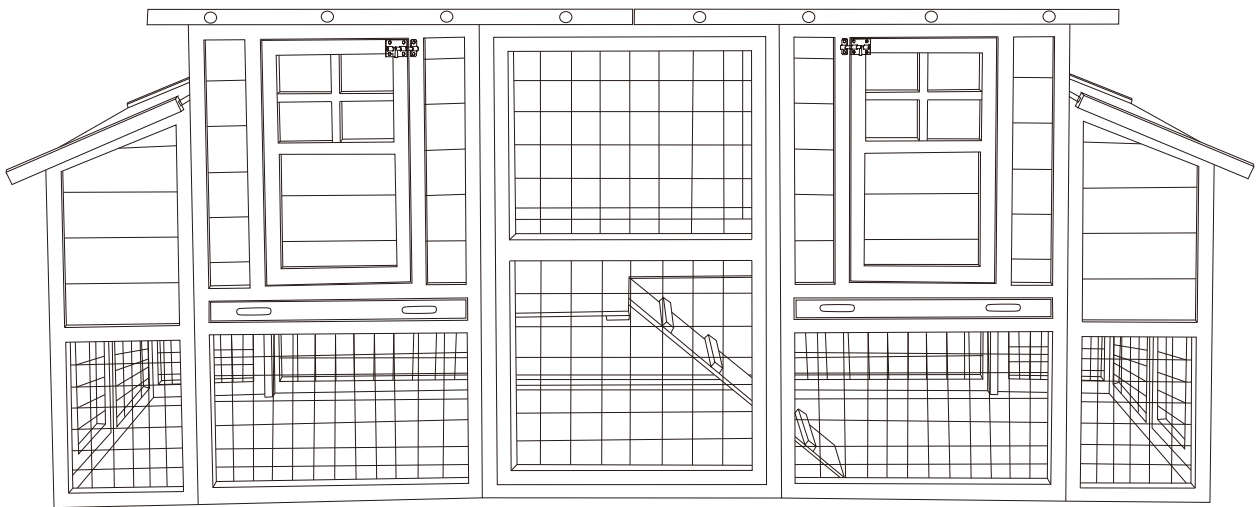


ASSEMBLY INSTRUCTIONS



Wooden Chicken House

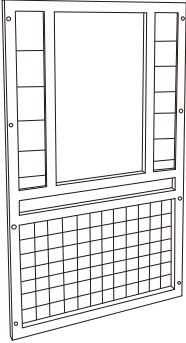
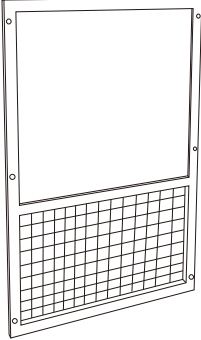
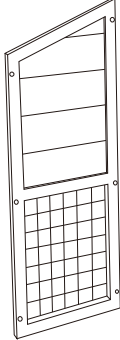
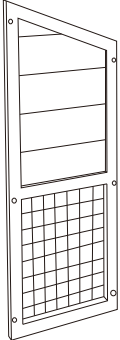

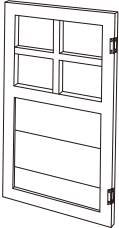
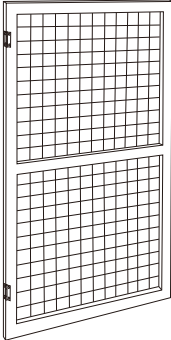
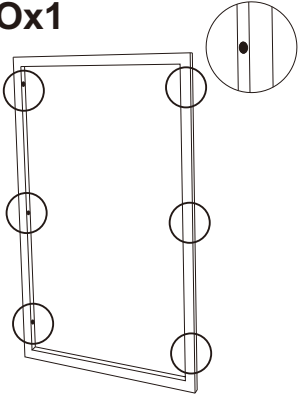
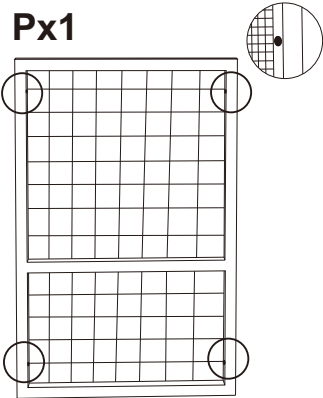
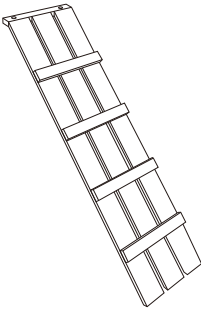
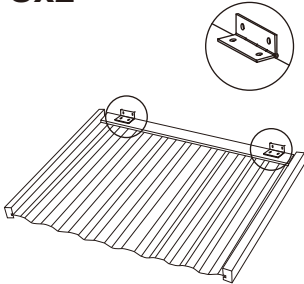
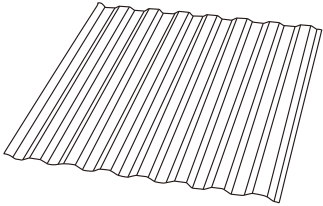
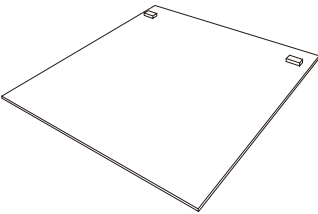
Attention

Thanks for choosing our product.

1. Before assembly, please check carefully if you have received all the parts as listed below. If you have any missing or damaged parts, feel free to contact us for help.
2. We recommend to assemble the cage with 2 people.
3. Please wear protective gloves when assembling. Power tools are highly recommended for screwing.

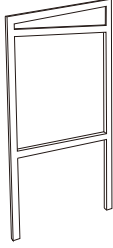
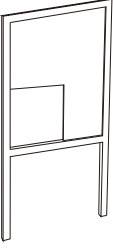
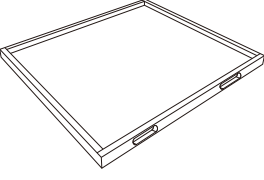
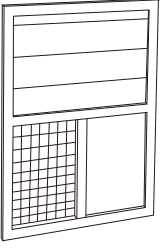
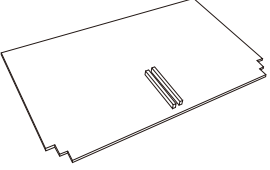
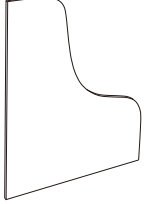

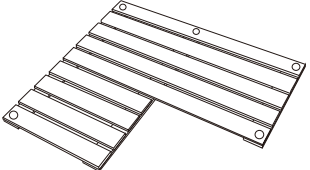
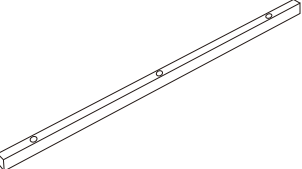
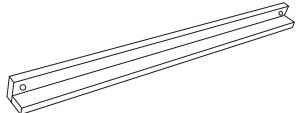
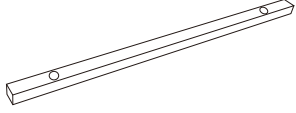
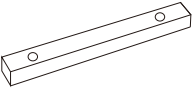
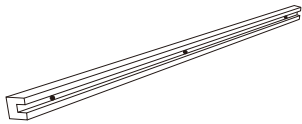
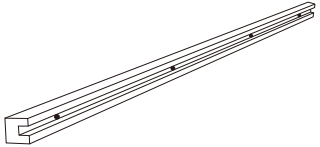
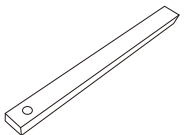
PACKING DETAILS: TOTAL 2 CARTONS

CARTON A

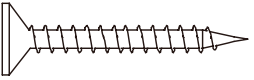




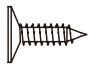

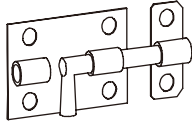
Ax2 	Bx2 	Gx2 	Hx2 
Kx1 	Lx1 	Nx1 	Ox1 
Px1 	Rx1 	Sx2 	Tx4 
Ux3 			

PACKING DETAILS: TOTAL 2 CARTONS

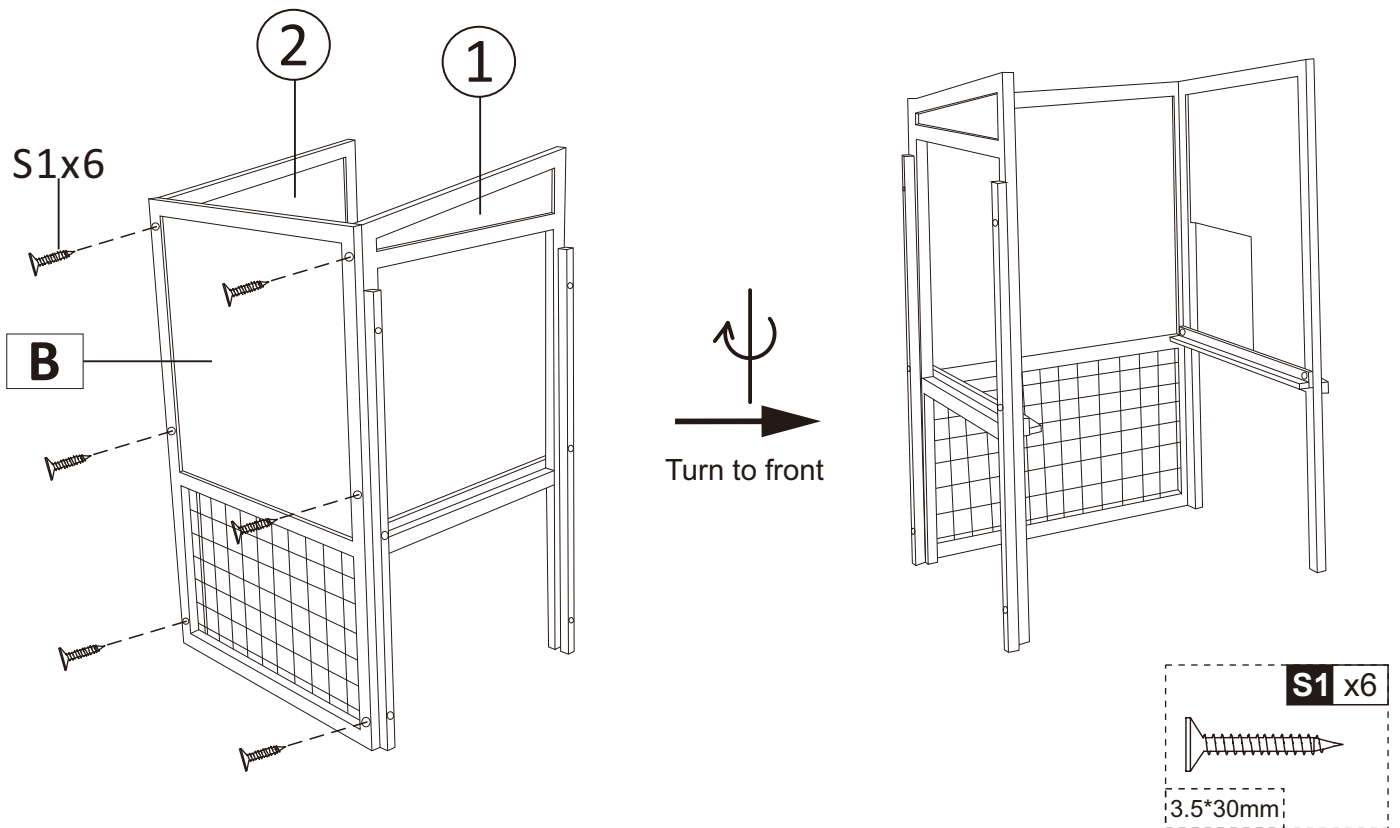
CARTON B

Cx2 	Dx2 	Ex2 	Fx2 
lx2 	Jx2 	Mx2 	Qx1 
Vx4 	Wx4 	Xx5 	Yx4 
Zx2 	AAx2 	ABx2 	

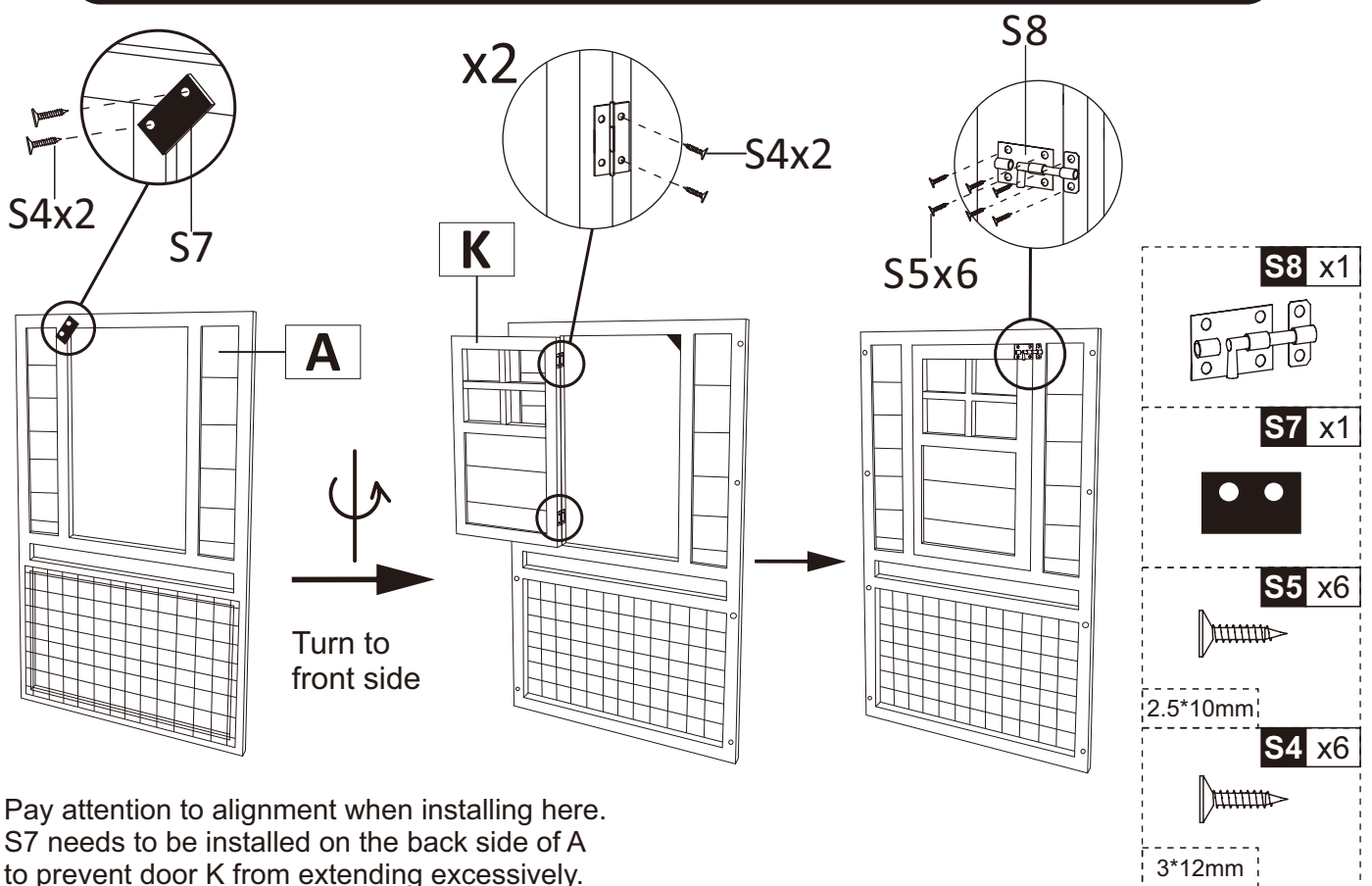
Hardware Kit

S1x74  M3.5x30mm	S2x35  M3.5x25mm	S3x14  M3x18mm	S4x38  M3x12mm
S5x30  M2.5x10mm	S6x36  M2.5x6mm	S7x5 	S8x5 

STEP 3

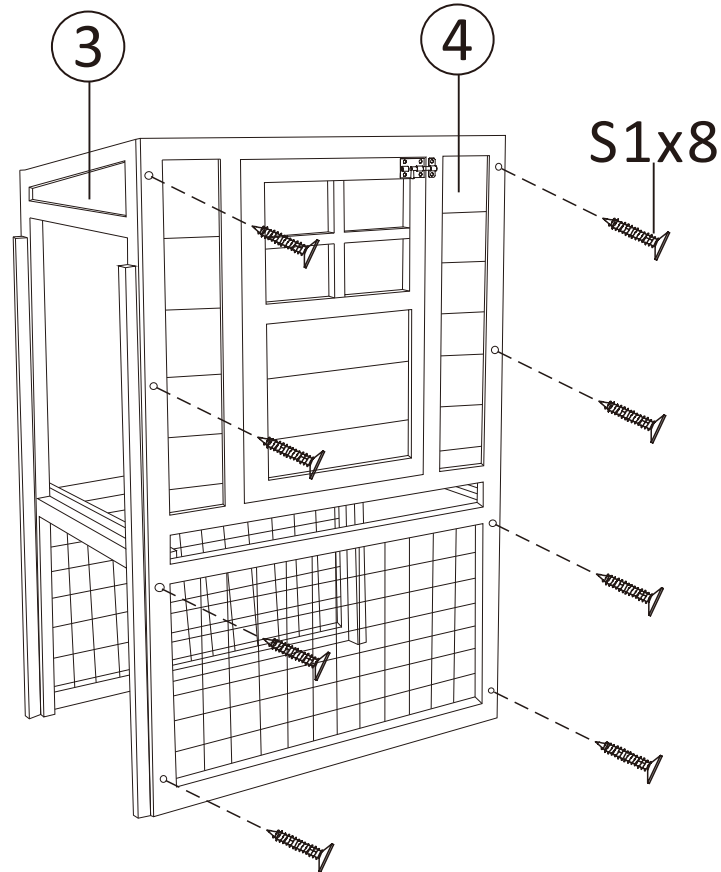


STEP 4

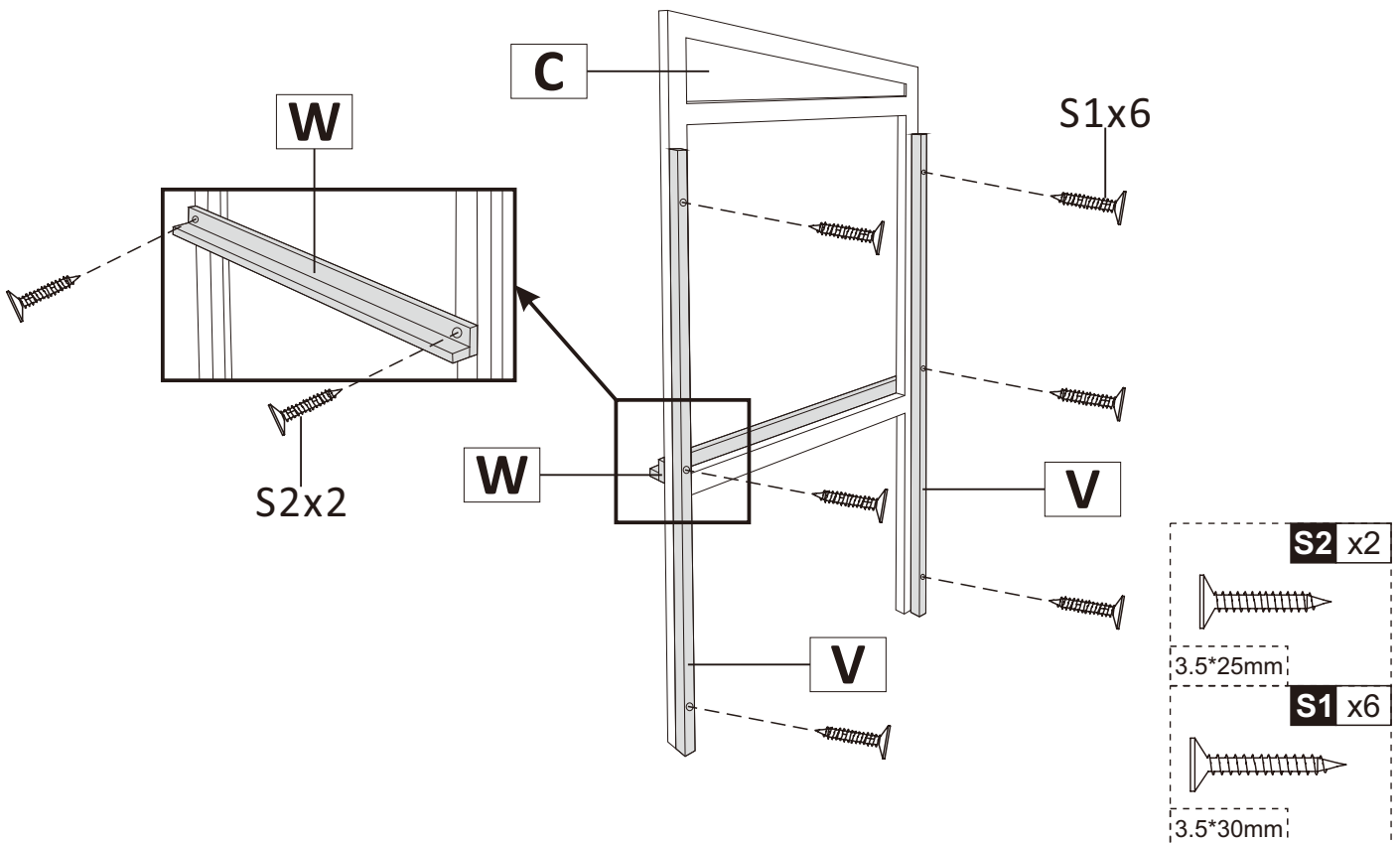


Pay attention to alignment when installing here. S7 needs to be installed on the back side of A to prevent door K from extending excessively.

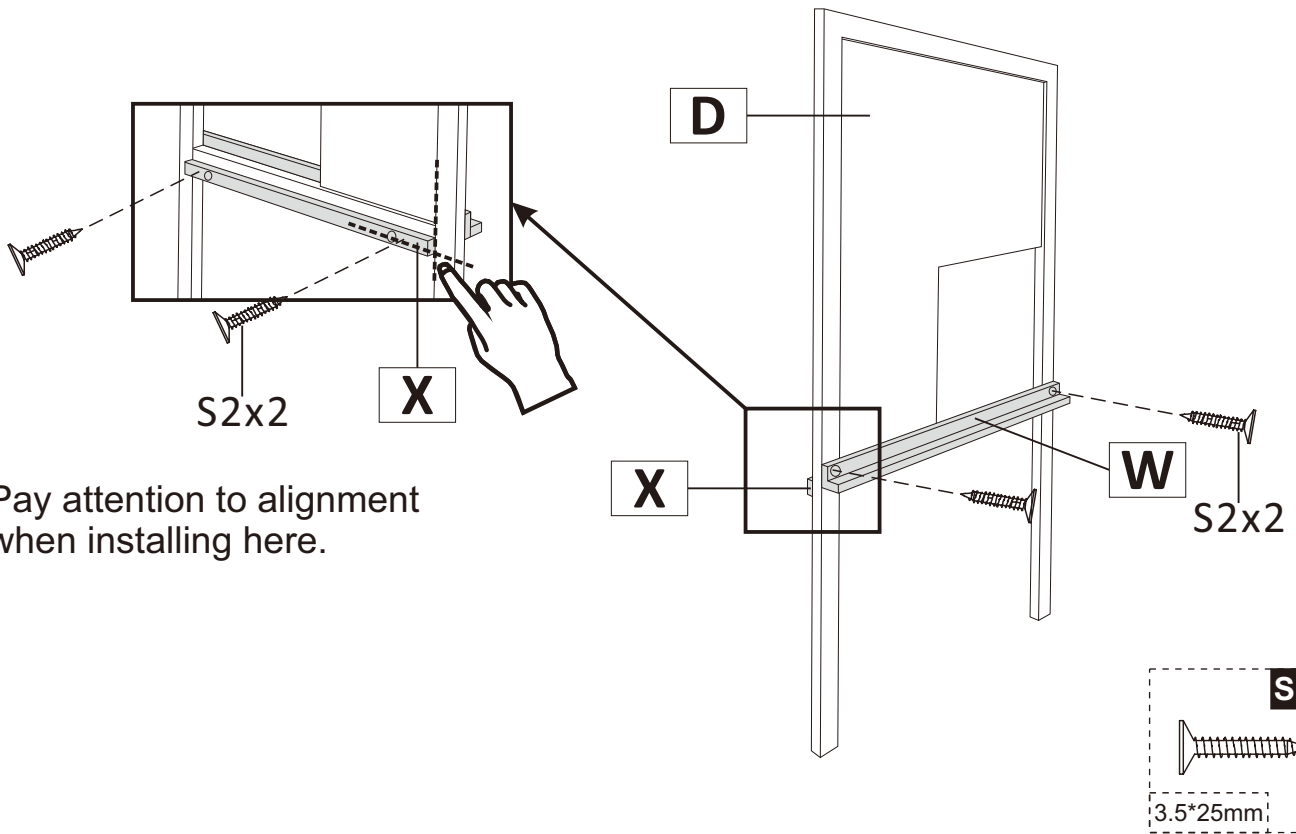
STEP 5



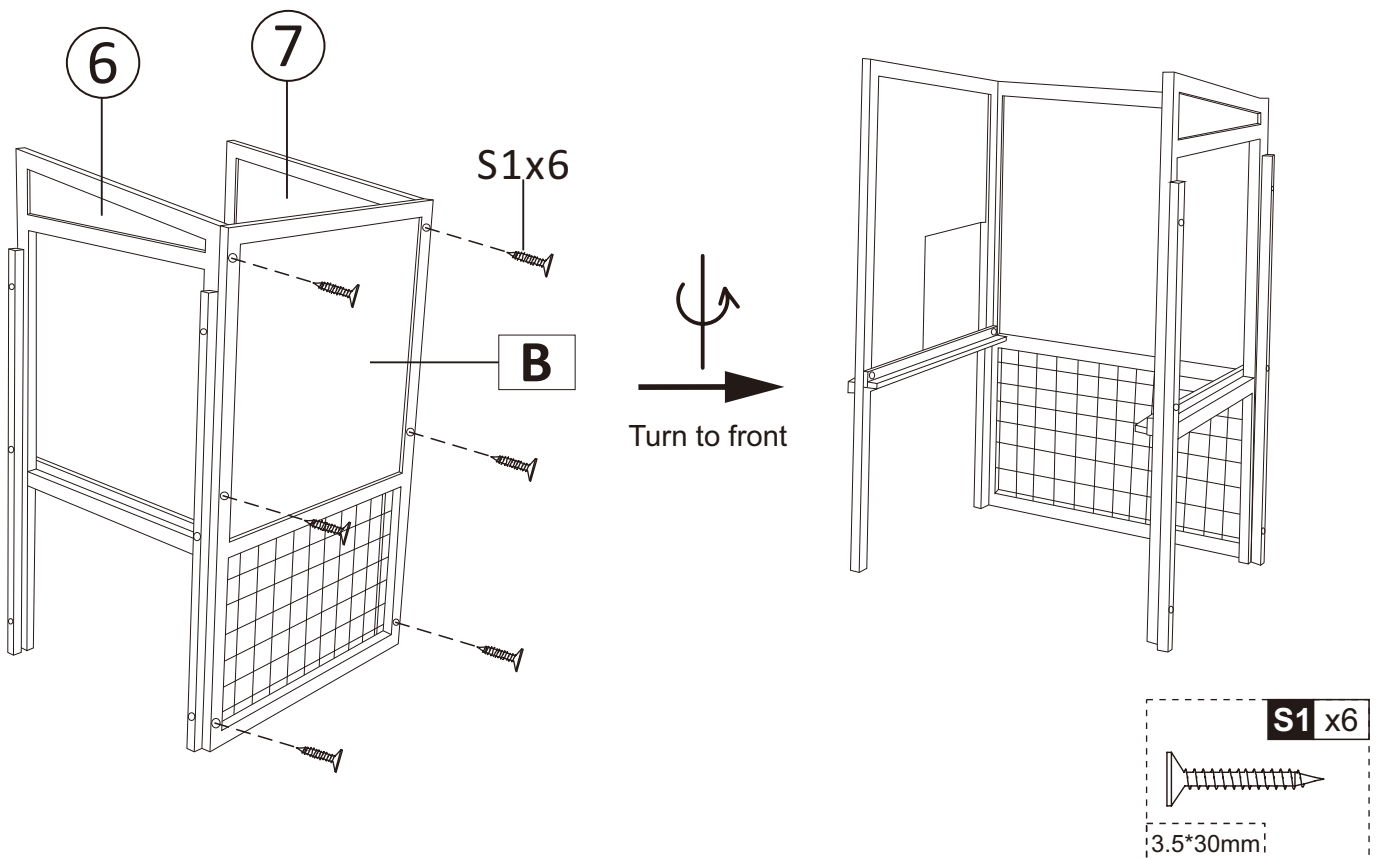
STEP 6



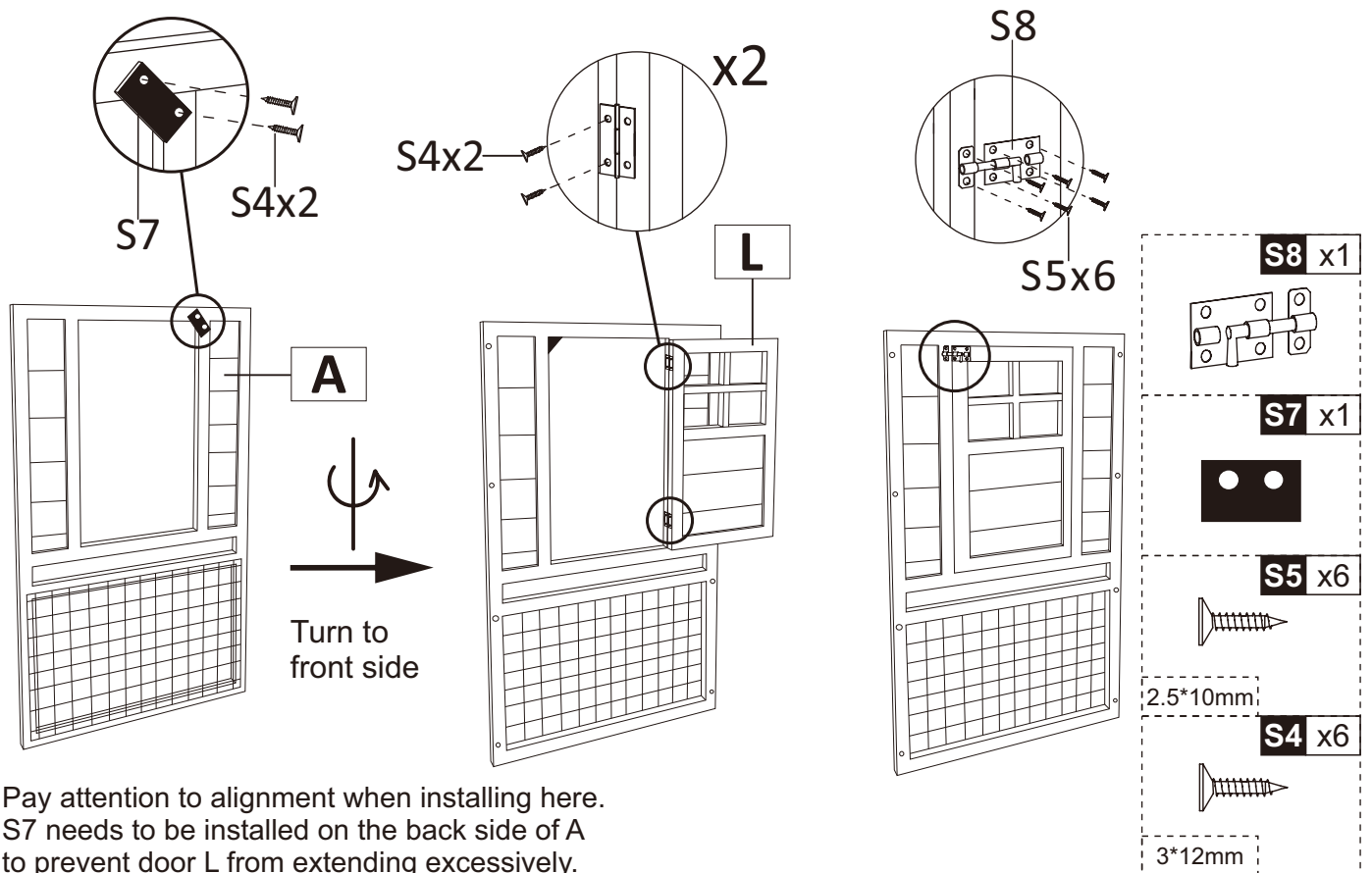
STEP 7



STEP 8

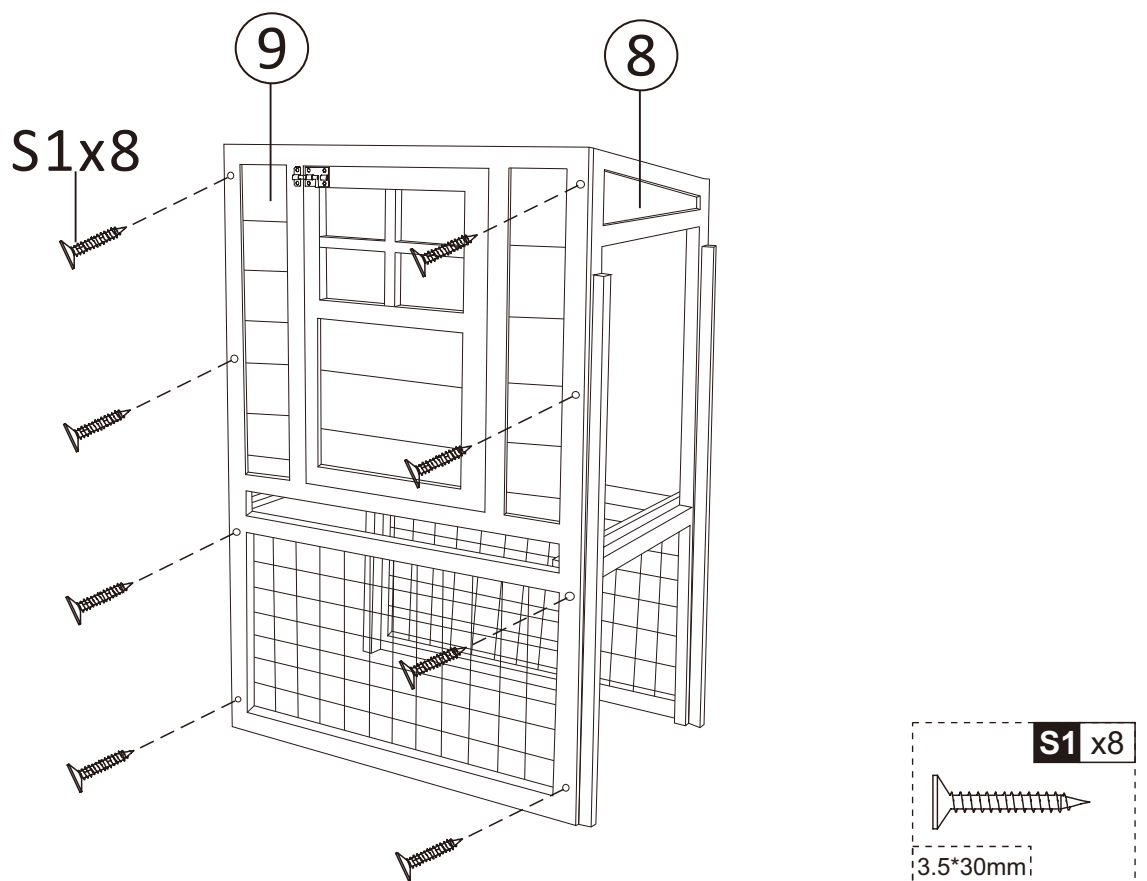


STEP 9



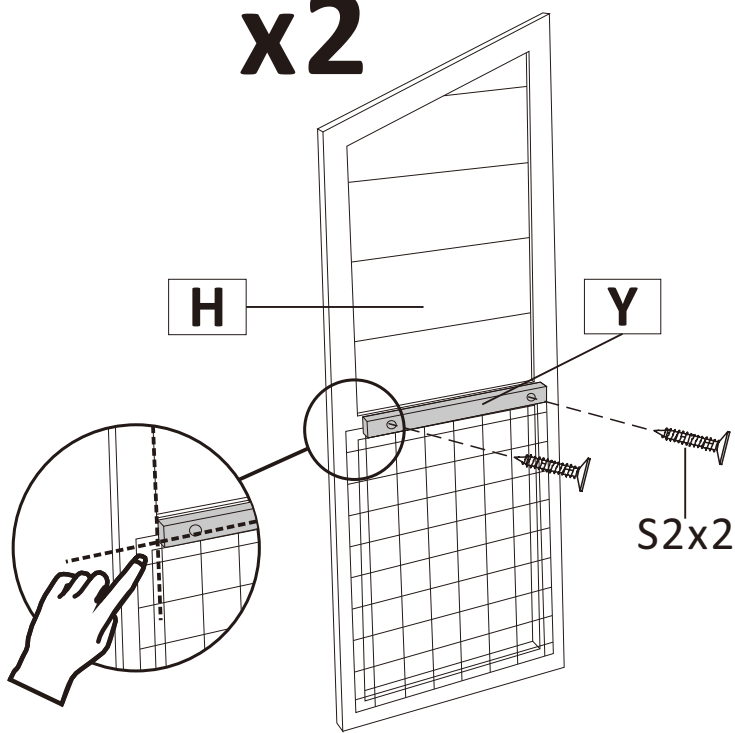
Pay attention to alignment when installing here.
S7 needs to be installed on the back side of A
to prevent door L from extending excessively.

STEP 10



STEP 11

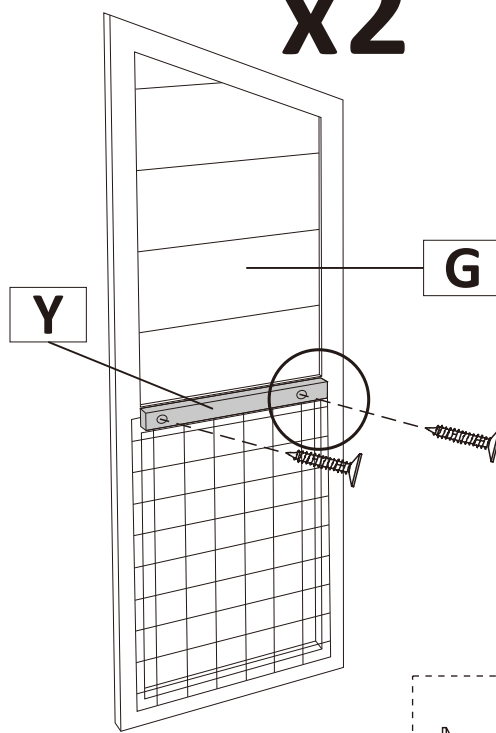
x2



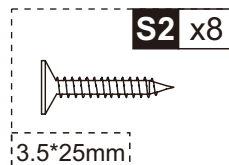
Pay attention to alignment when installing here.

11-1 x2

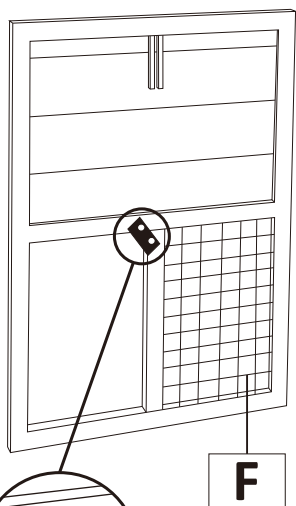
x2



11-2 x2

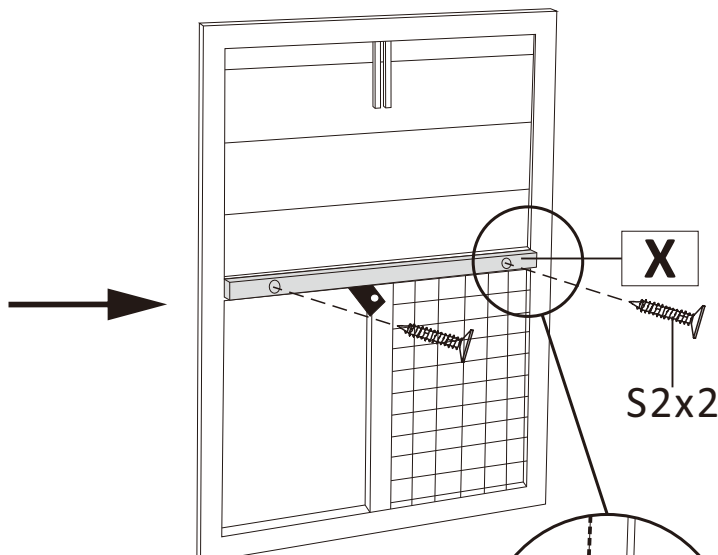


STEP 12



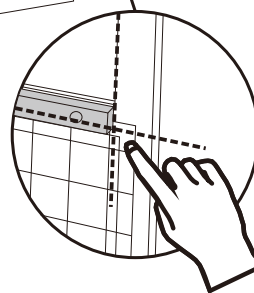
S7

S4x2



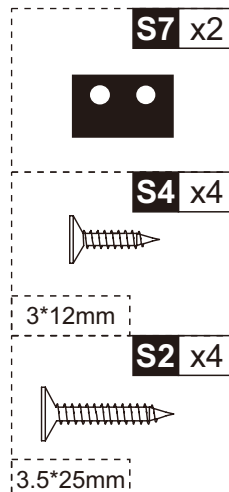
x2

S2x2



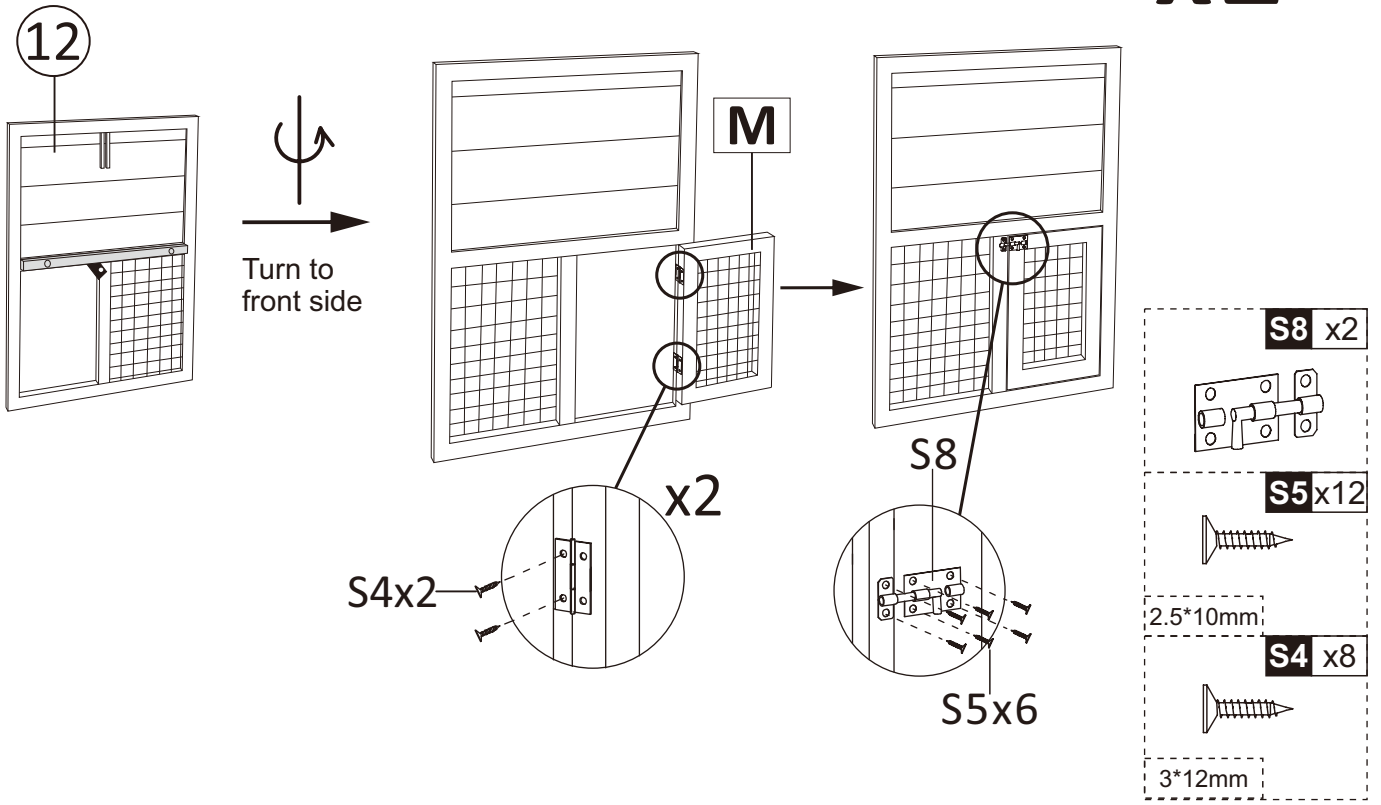
Pay attention to alignment when installing here.
S7 and X needs to be installed on the back side of F

Pay attention to alignment when installing here.



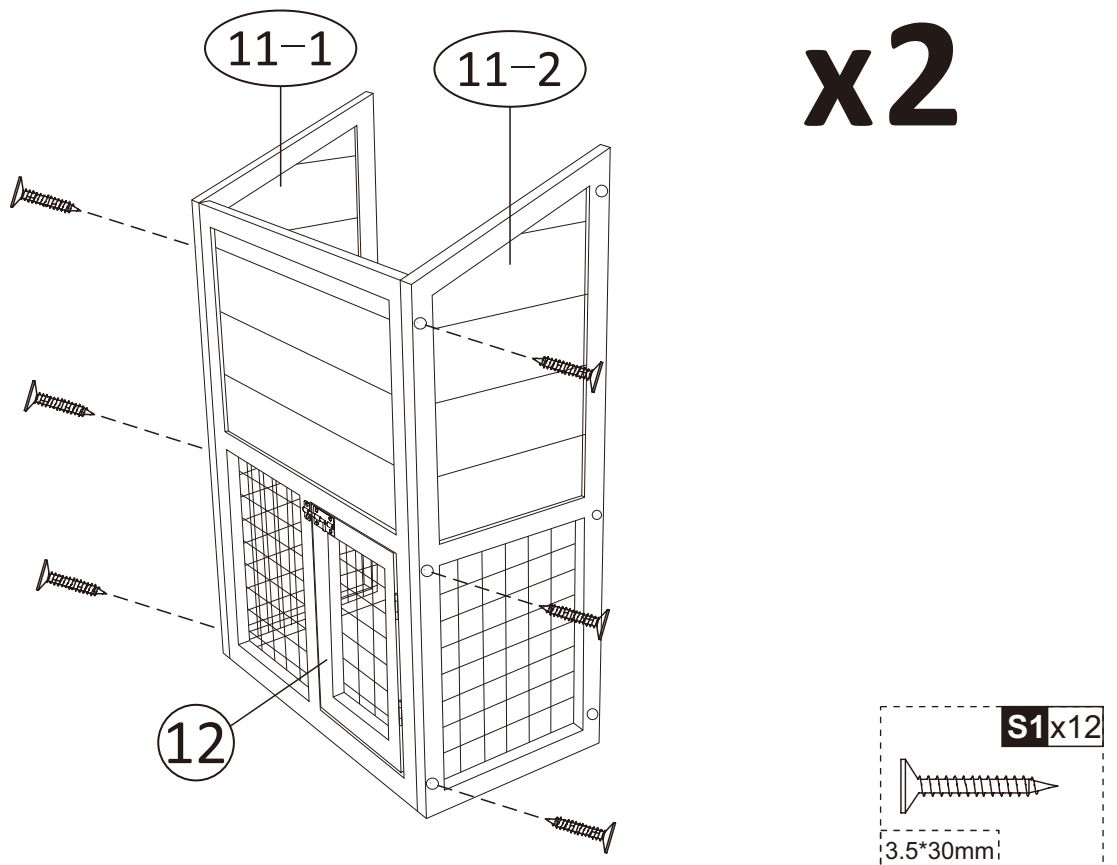
STEP 13

x2

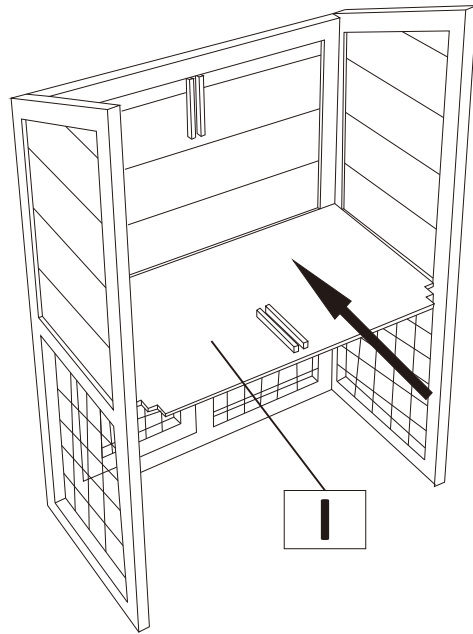
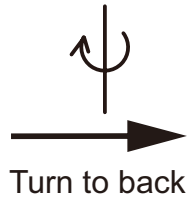
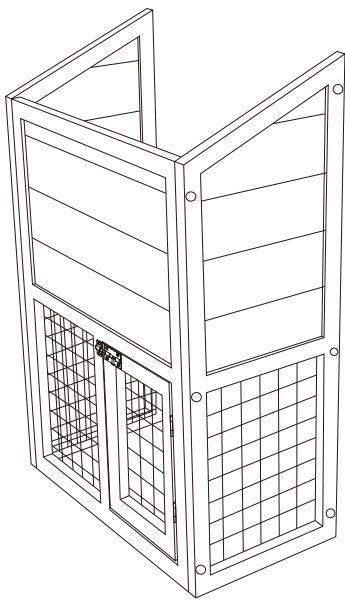


STEP 14

x2

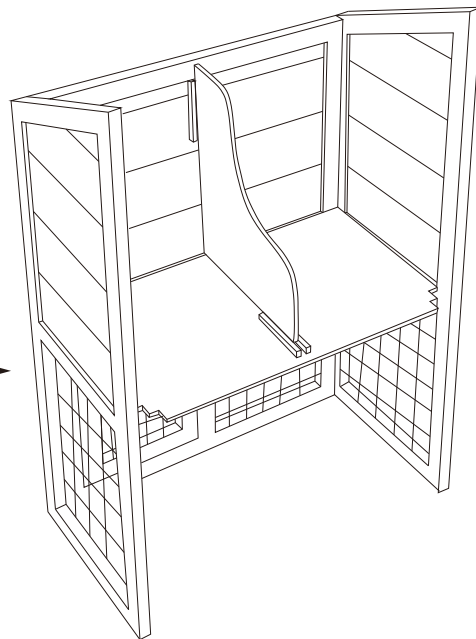
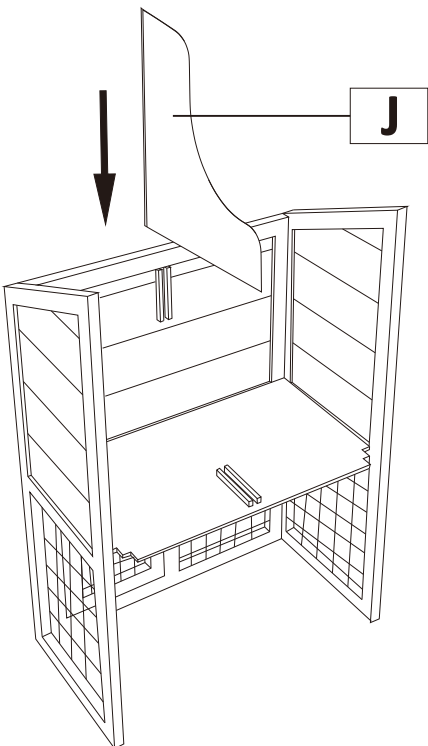


STEP 15



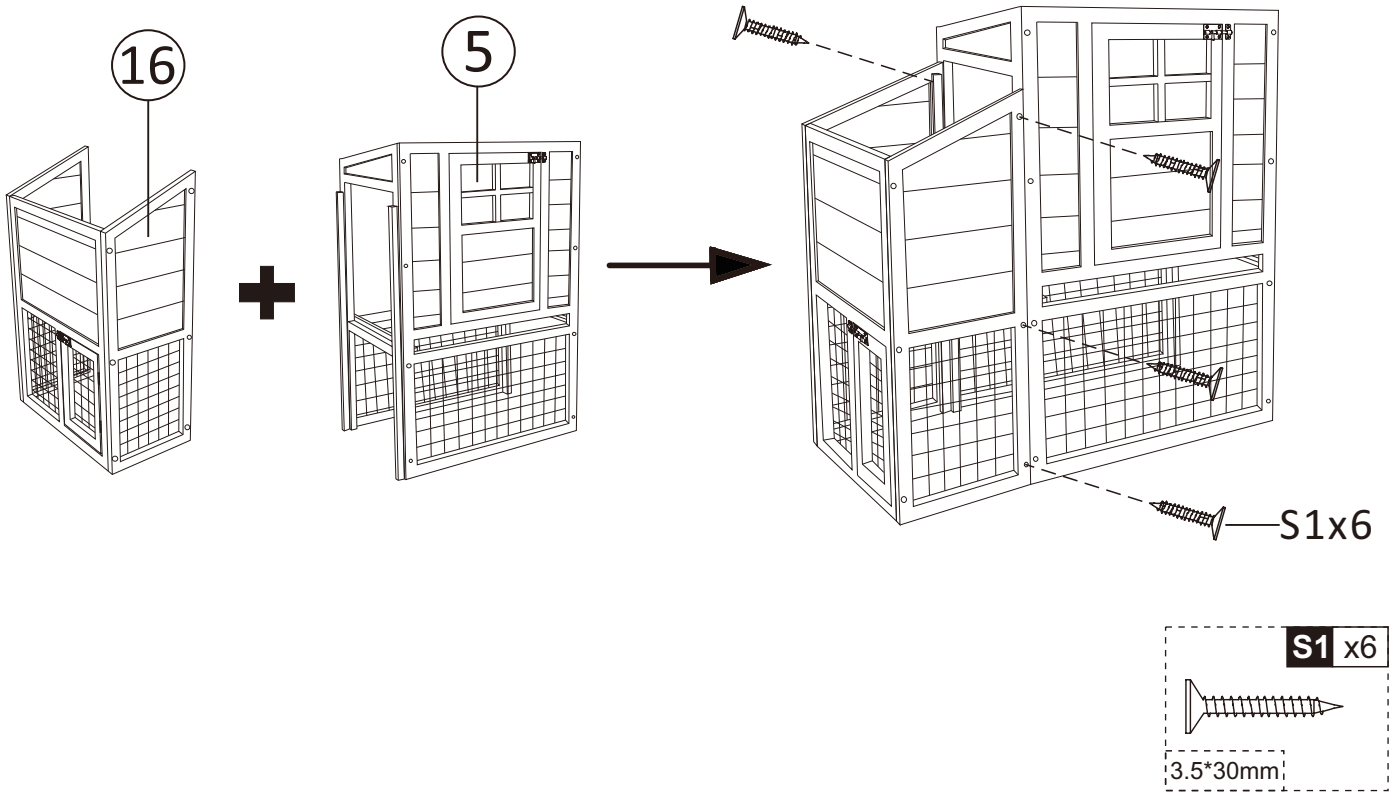
x2

STEP 16

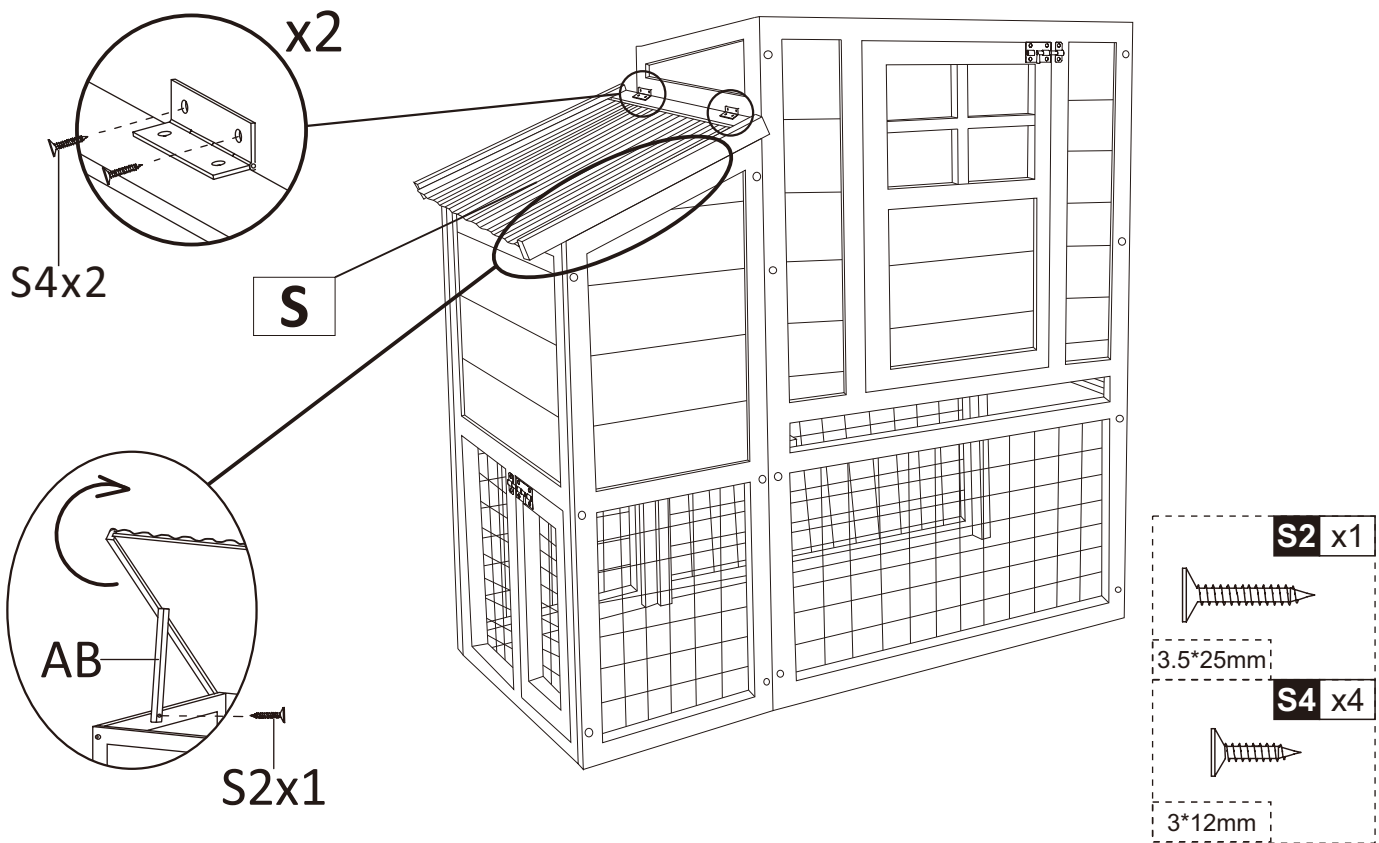


x2

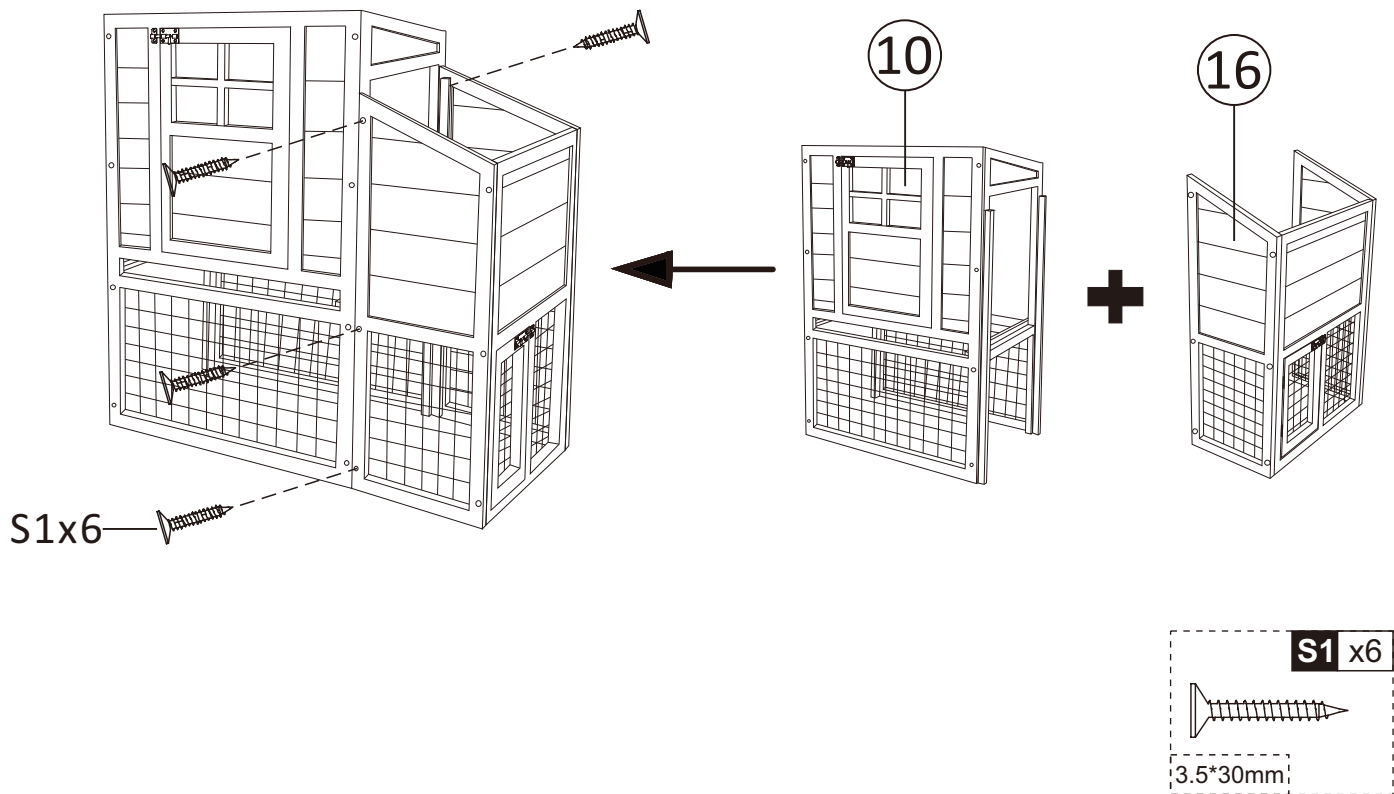
STEP 17



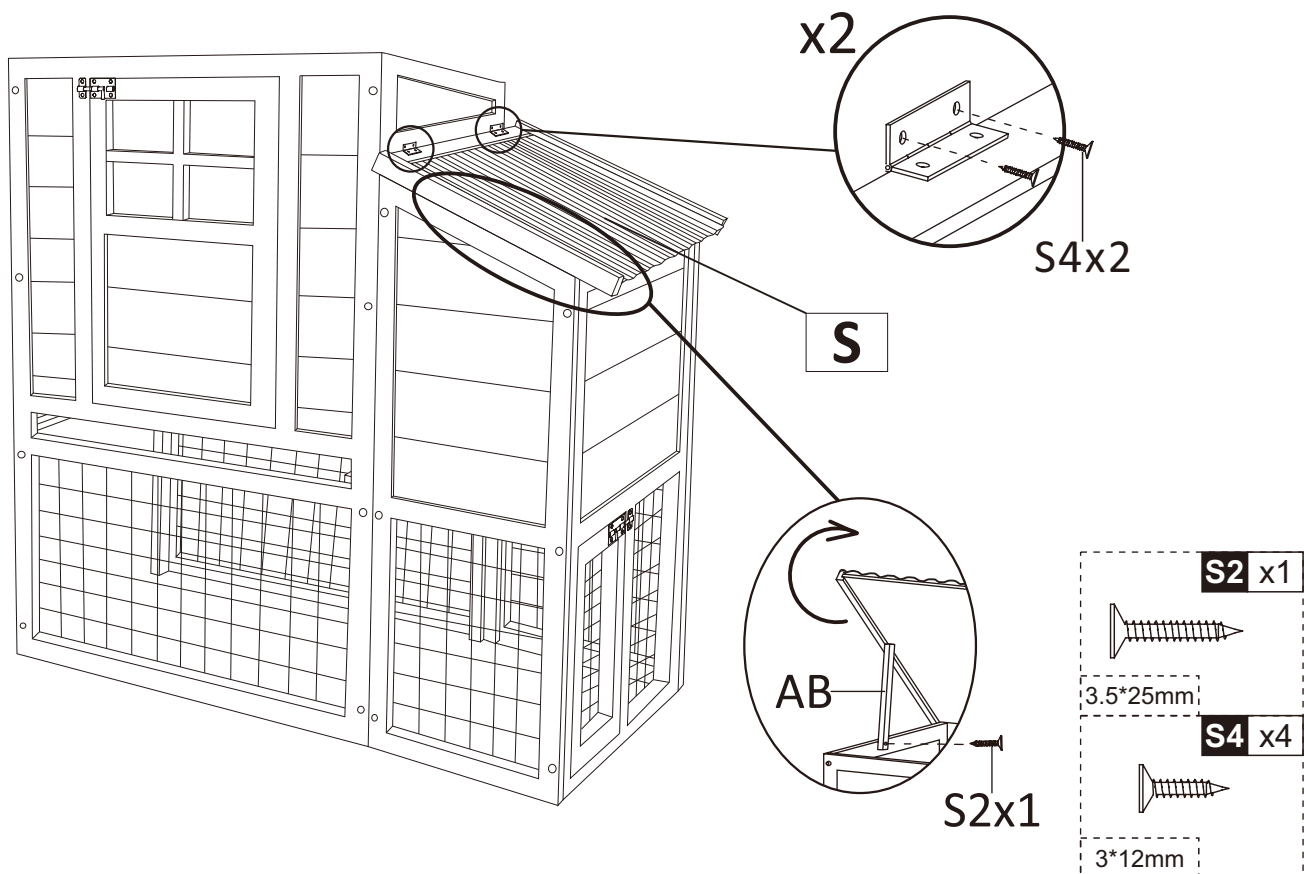
STEP 18



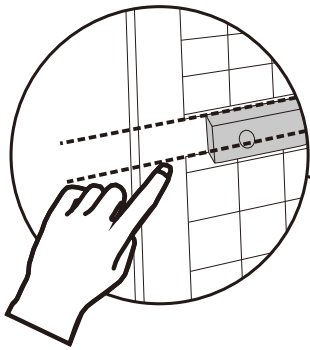
STEP 19



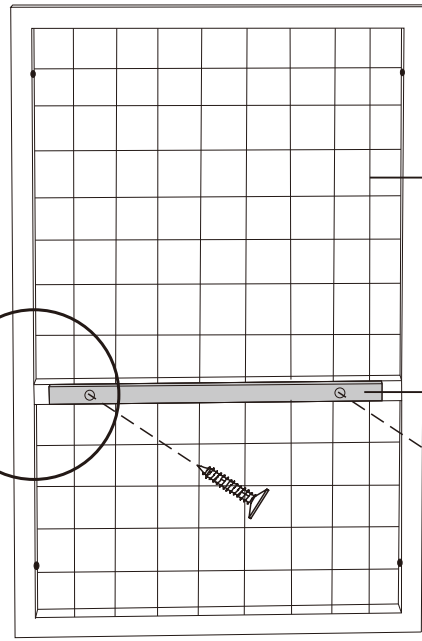
STEP 20



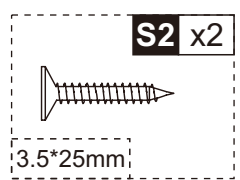
STEP 21



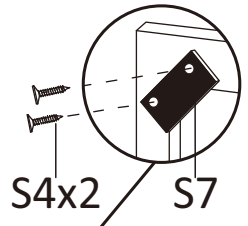
Pay attention to alignment when installing here.



S2x2

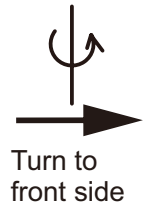
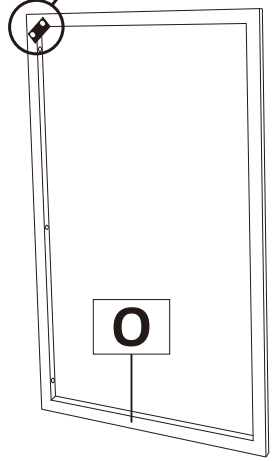


STEP 22

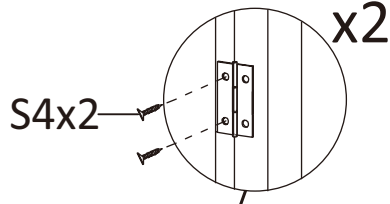


S4x2

S7

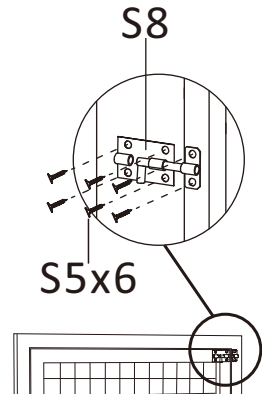
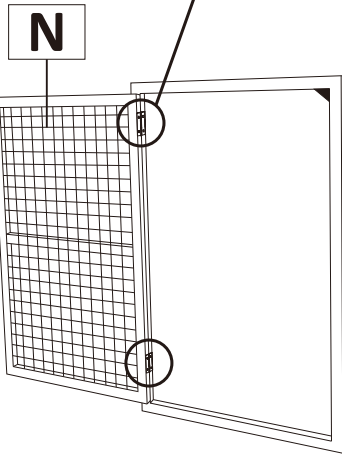


Turn to front side



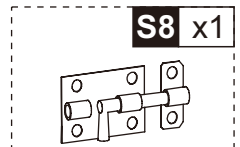
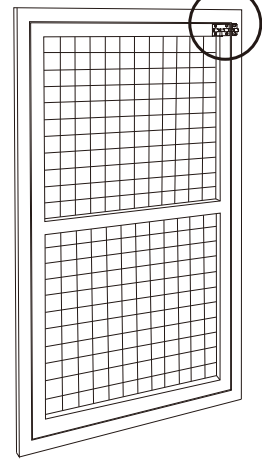
S4x2

x2

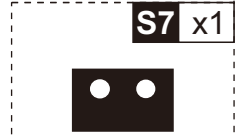


S8

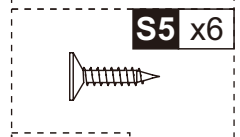
S5x6



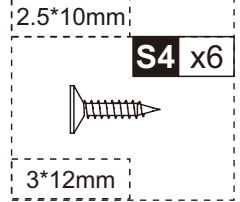
S8 x1



S7 x1



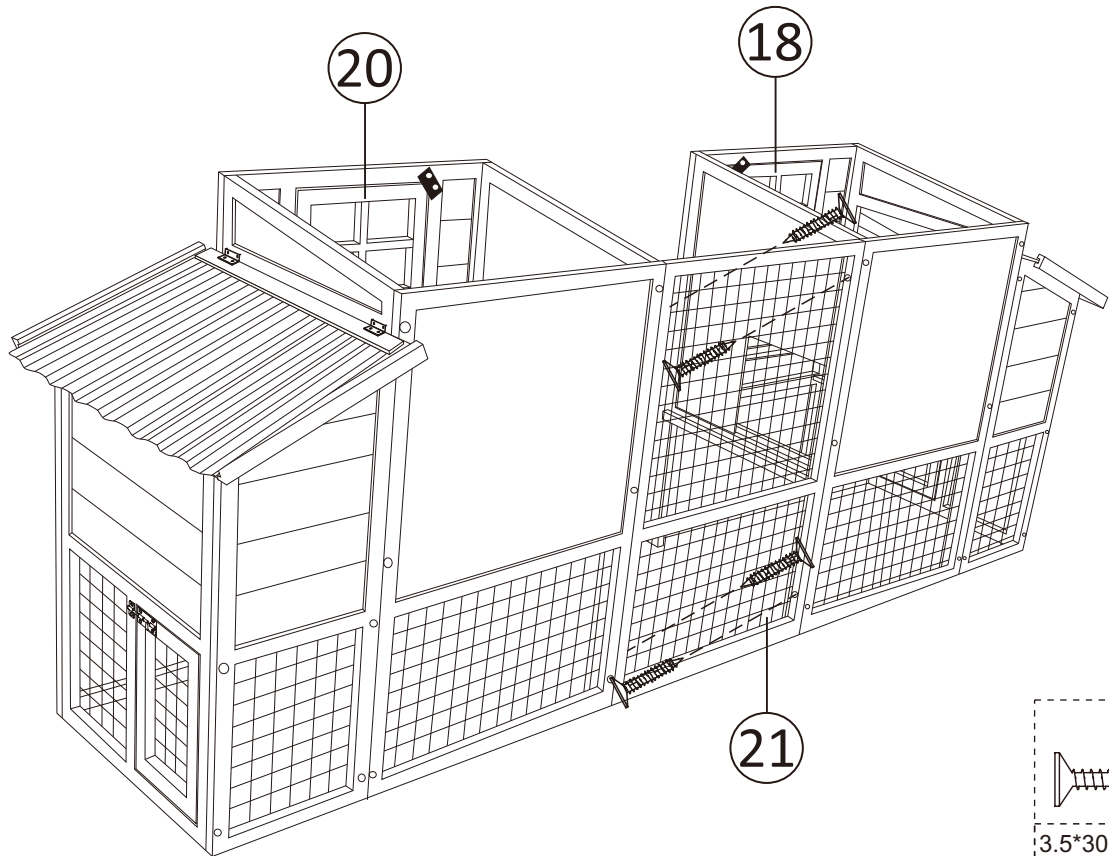
S5 x6



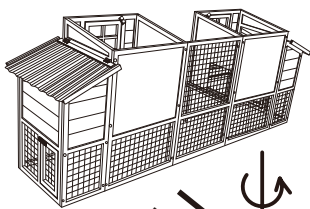
S4 x6

Pay attention to alignment when installing here. S7 needs to be installed on the back side of O to prevent door N from extending excessively.

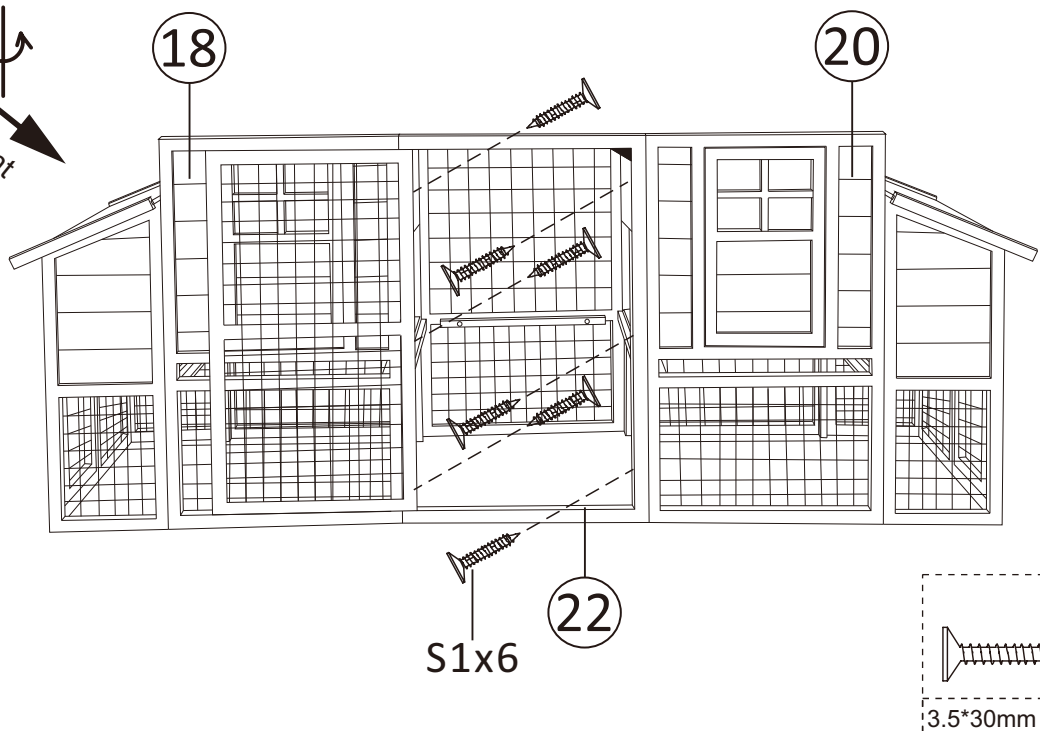
STEP 23



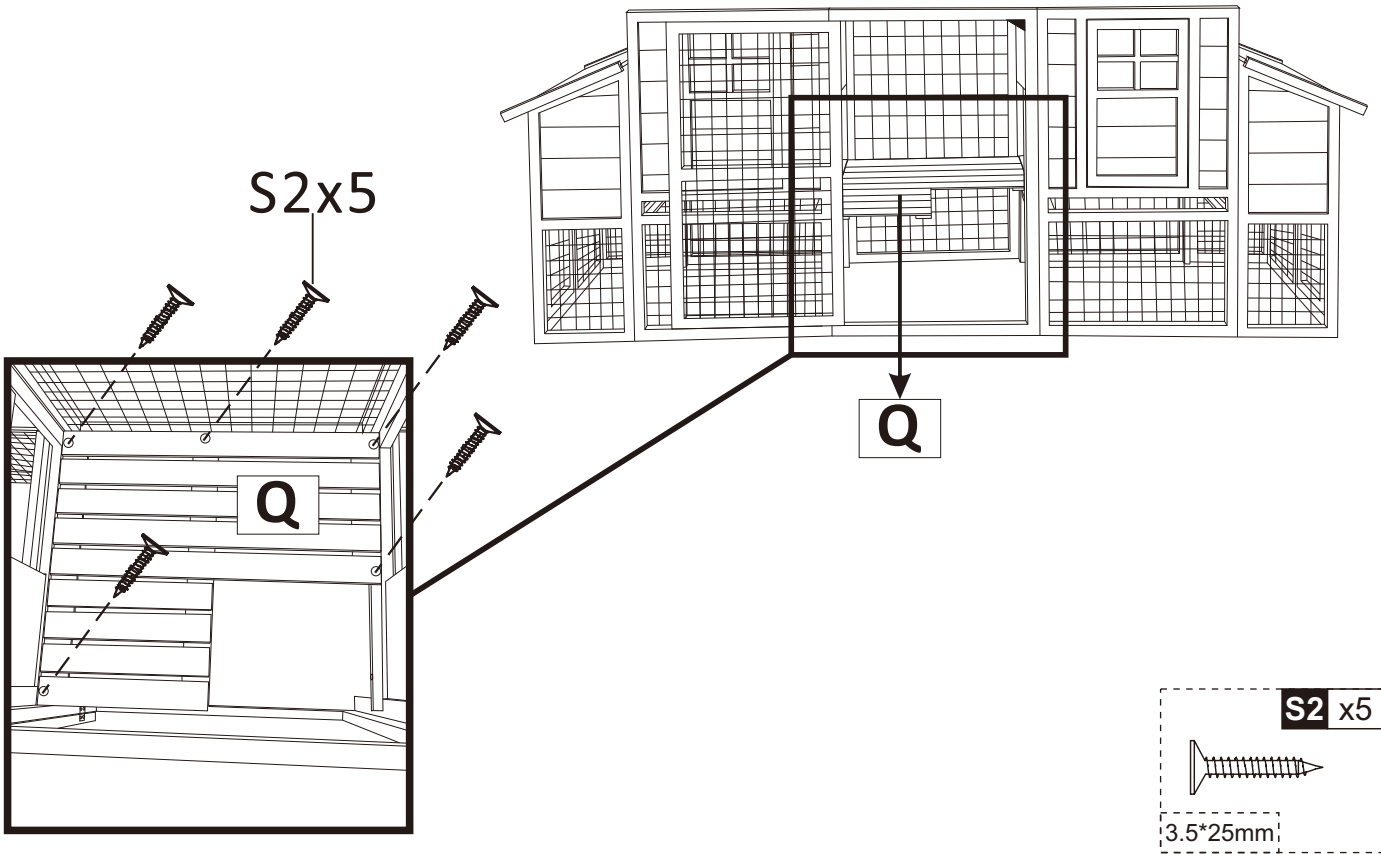
STEP 24



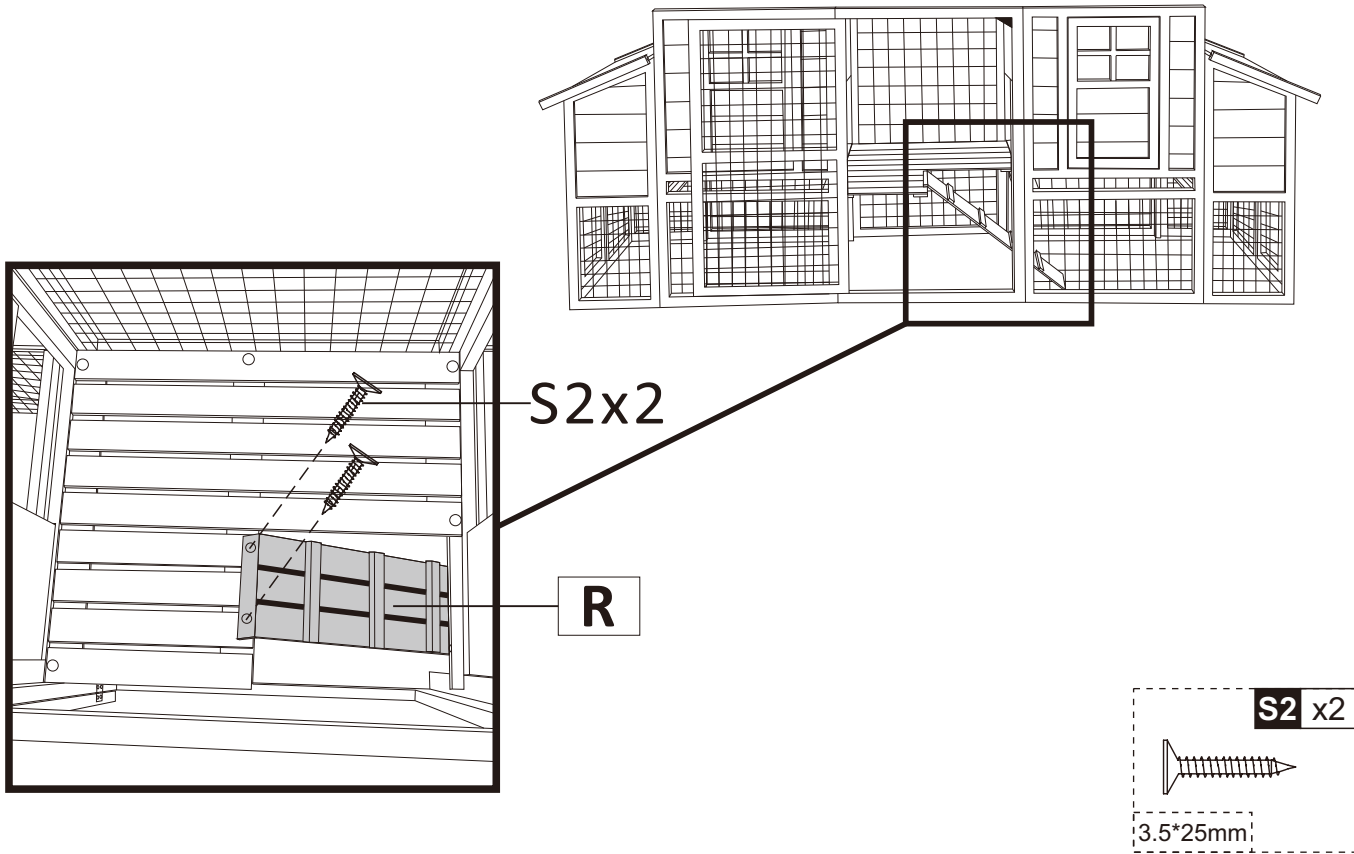
Turn to front



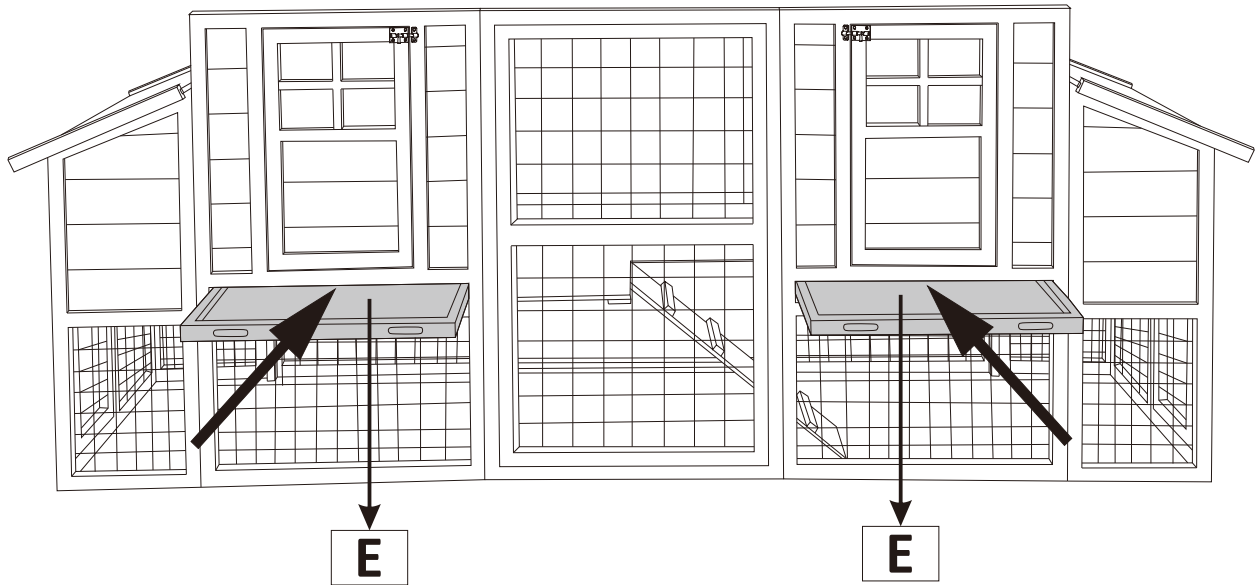
STEP 25



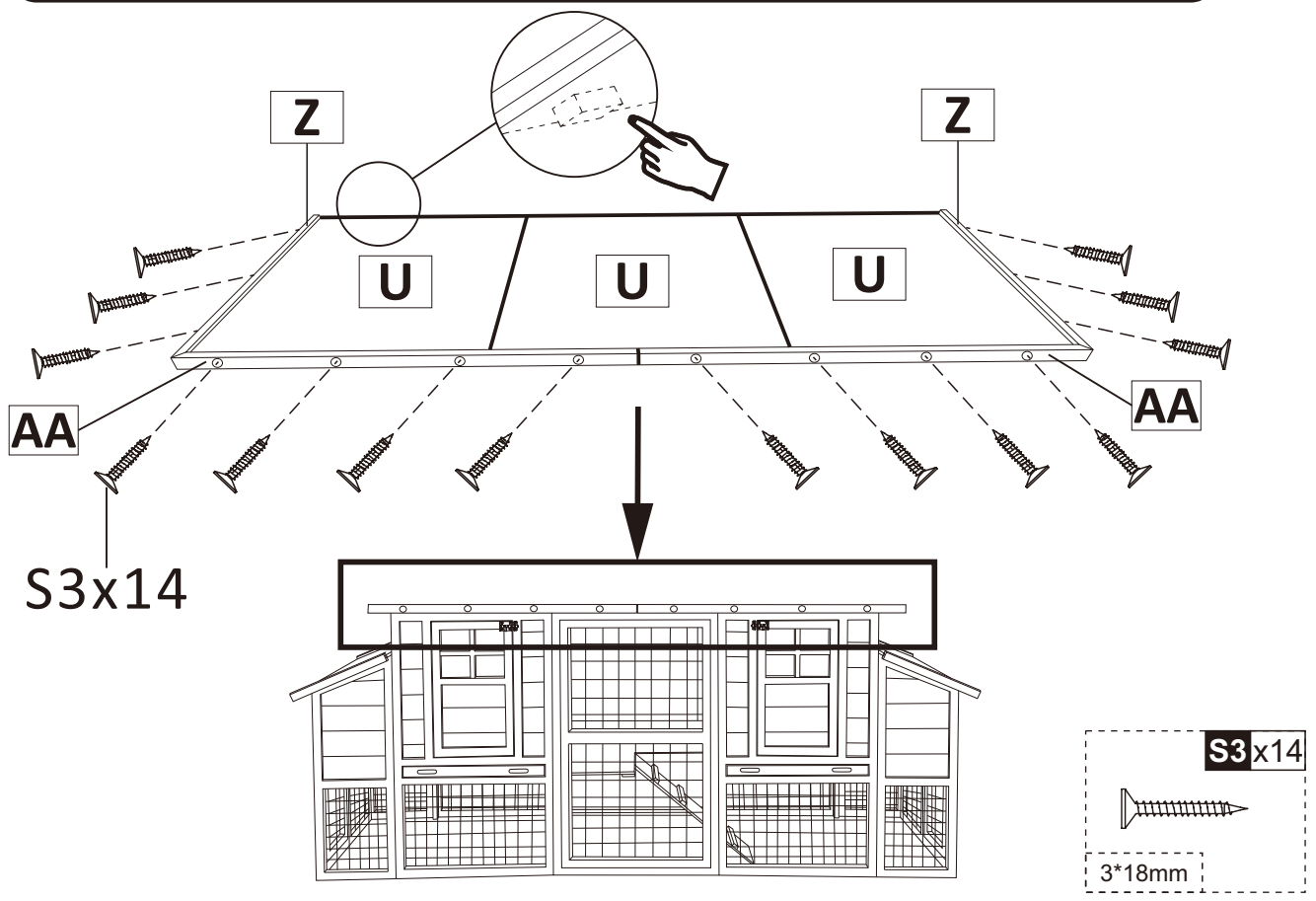
STEP 26



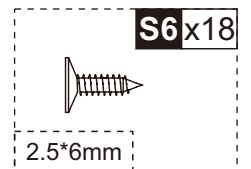
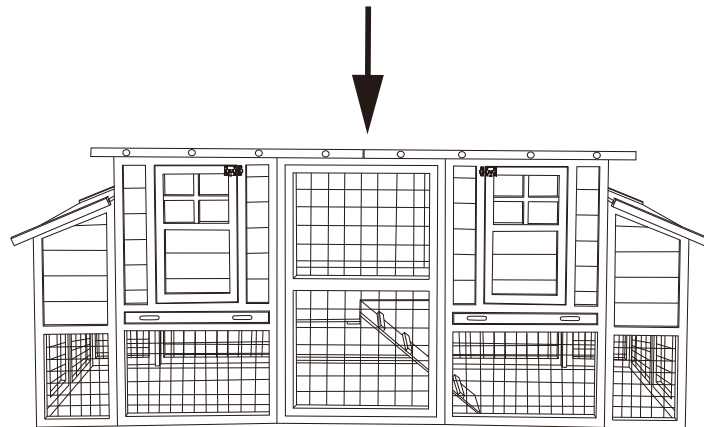
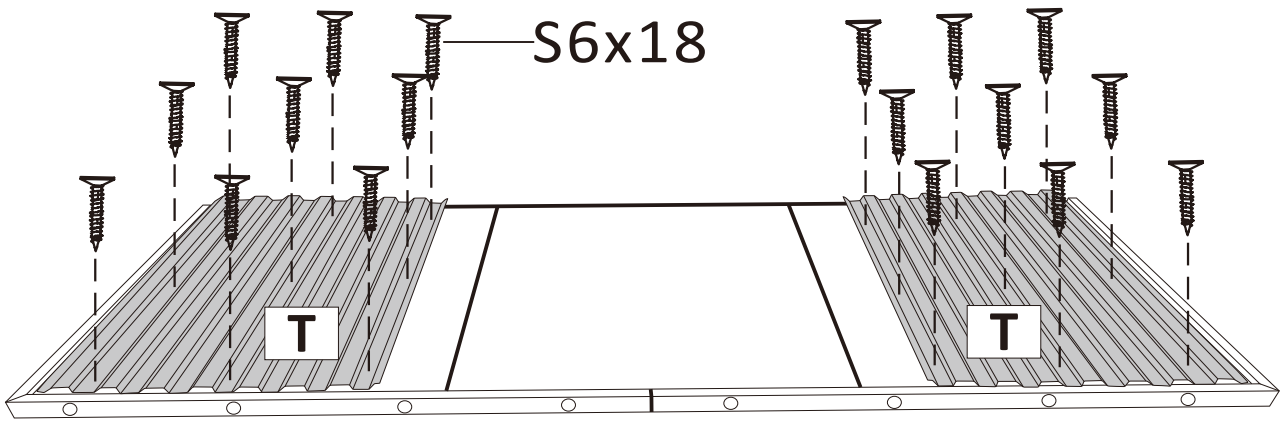
STEP 27



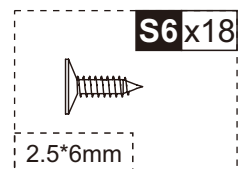
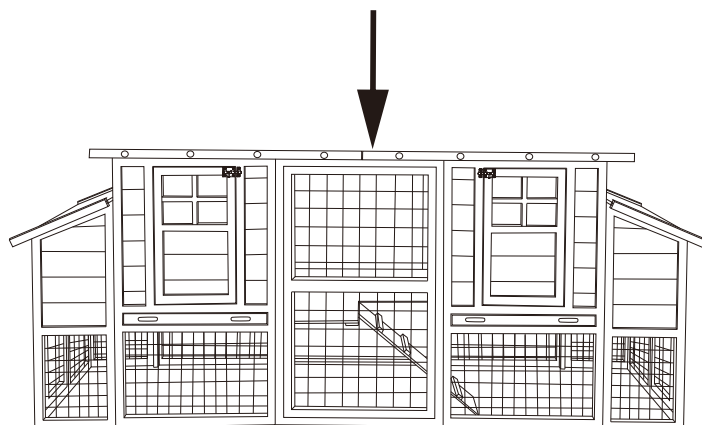
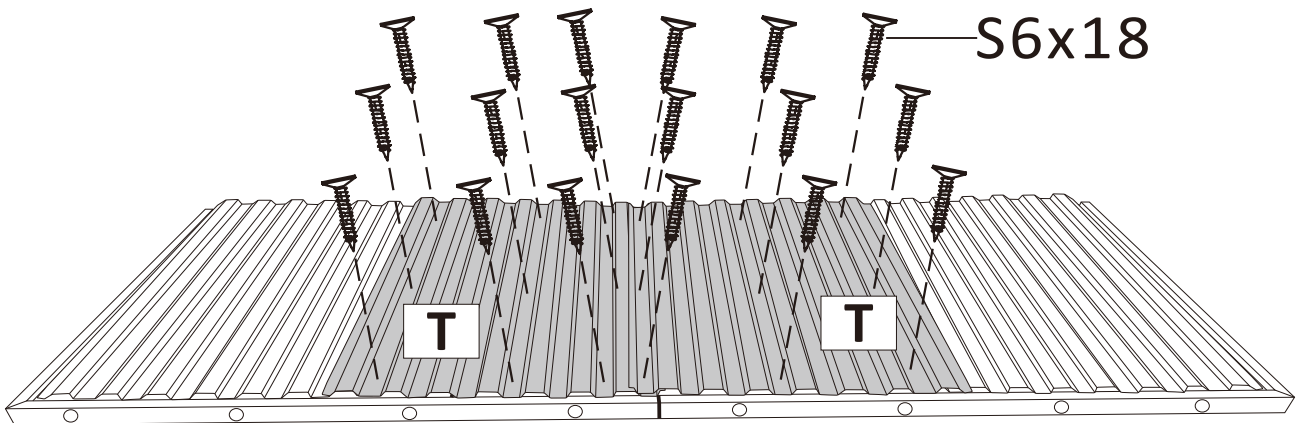
STEP 28



STEP 29



STEP 30



DONE

